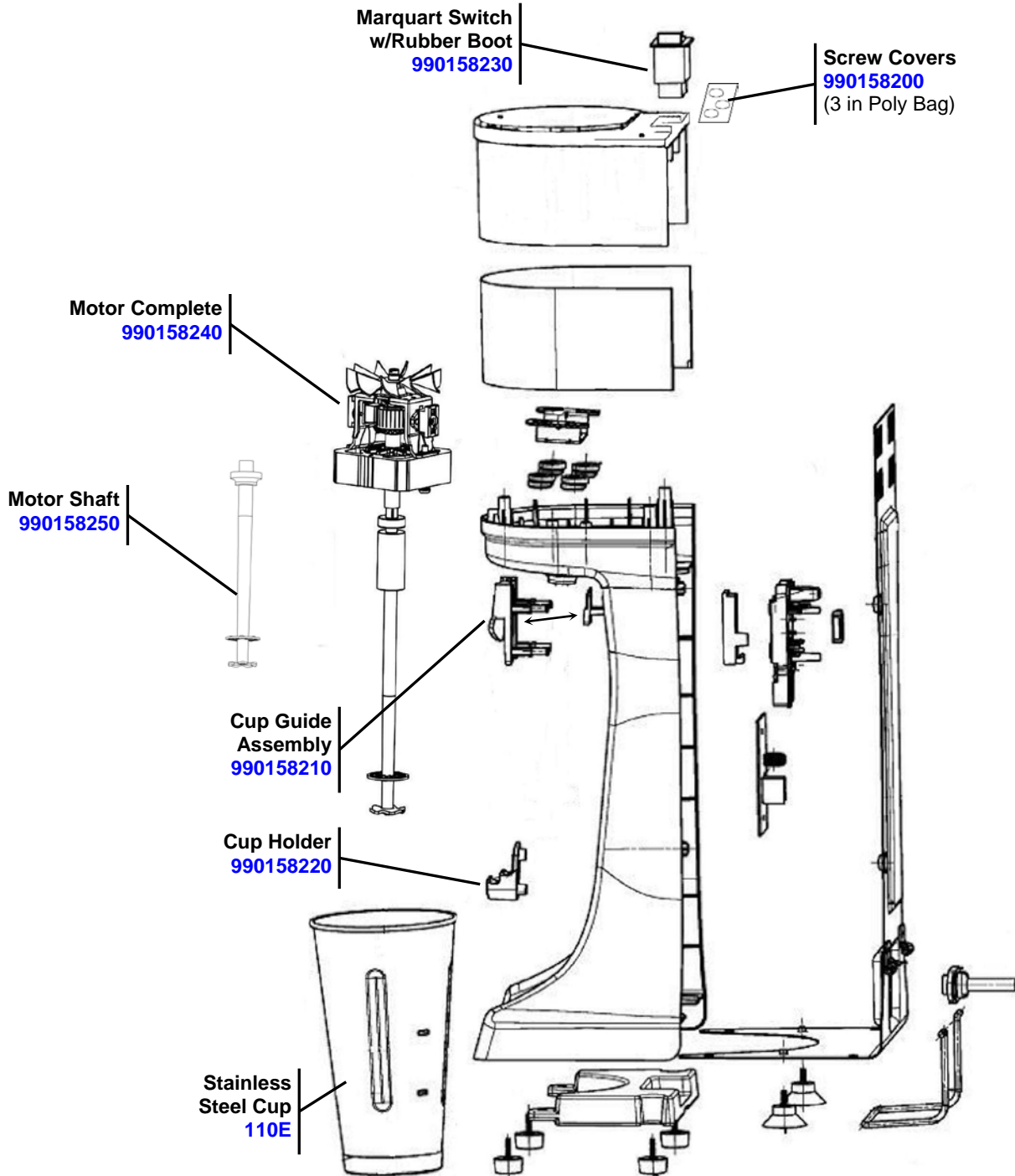



Parts and Accessories Diagram

Model 60200

PROPRIETARY RIGHTS NOTICE This document and all information contained within it is the property of Hamilton Beach Brands, Inc. (HBB). It is confidential and proprietary and has been provided to you for a limited purpose. It must be returned or destroyed upon request. Disclosure, reproduction or use of this document and any information contained within it, in full or in part, for any purpose is forbidden without the prior written consent of HBB. No photographs may be taken of any article fabricated or assembled from this document without the prior written consent of HBB.

THE IMAGE SHOWN IS FOR PART GEOMETRY/SIZE REFERENCE ONLY. IF POSSIBLE, AN IMAGE WITH THE CORRECT COLOR IS USED. HOWEVER, THE IMAGE SHOWN MAY NOT ALWAYS REFLECT THE COLOR SPECIFIED.



 <p>Hamilton Beach 4421 Waterfront Drive Glen Allen, VA 23060</p>	Revision Description:	Update CARE Part Cup Part Number to 110E				
	Request Number:	DOC7696	Revision Date:	04/13/2017	Approved by:	DOC7696
	Issue Code(s):		Page:	1 of 1	Document #:	540006900
					Rev:	B