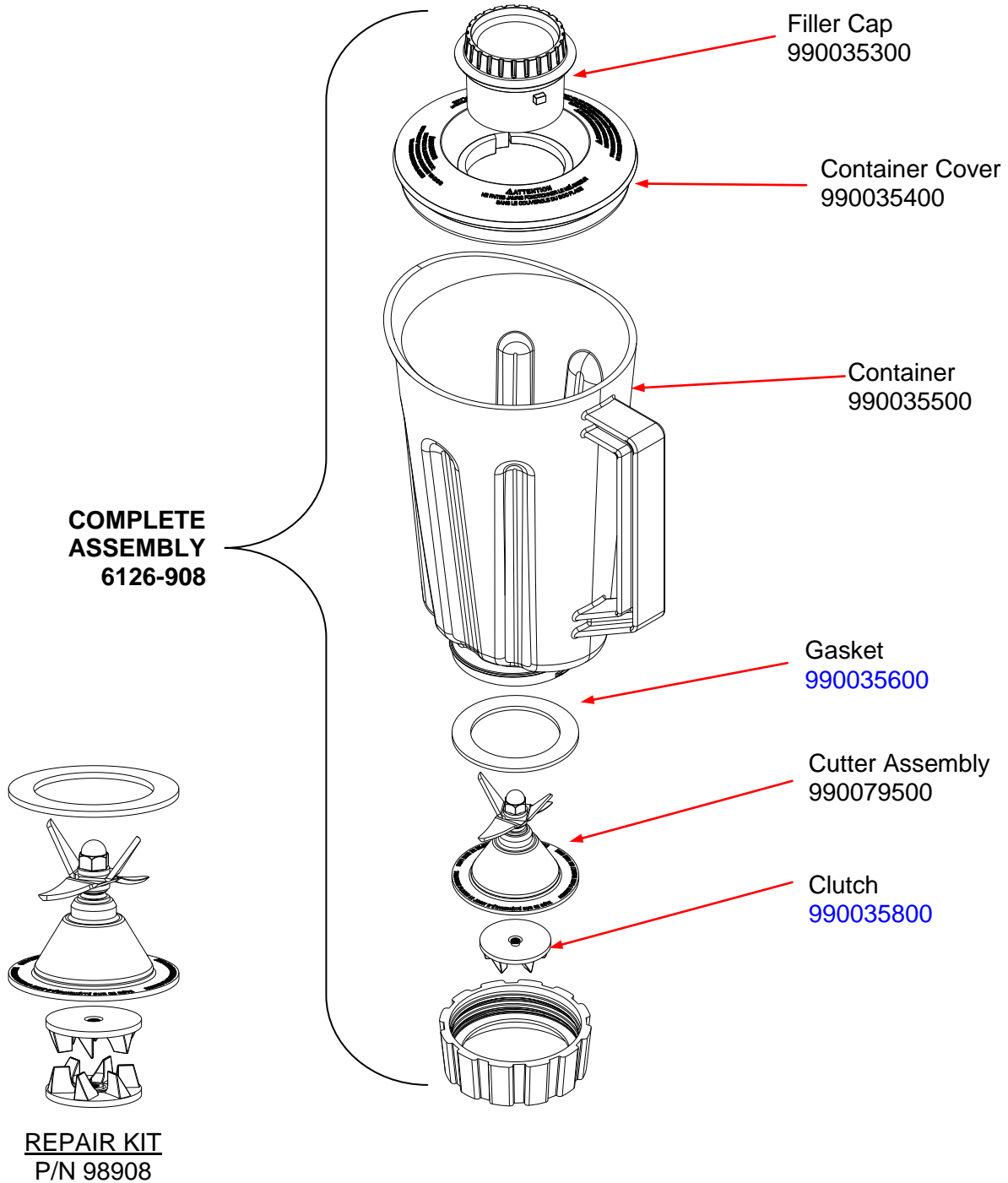



## Parts and Accessories Diagram

**PROPRIETARY RIGHTS NOTICE** This document and all information contained within it is the property of Hamilton Beach Brands, Inc. (HBB). It is confidential and proprietary and has been provided to you for a limited purpose. It must be returned or destroyed upon request. Disclosure, reproduction or use of this document and any information contained within it, in full or in part, for any purpose is forbidden without the prior written consent of HBB. No photographs may be taken of any article fabricated or assembled from this document without the prior written consent of HBB.

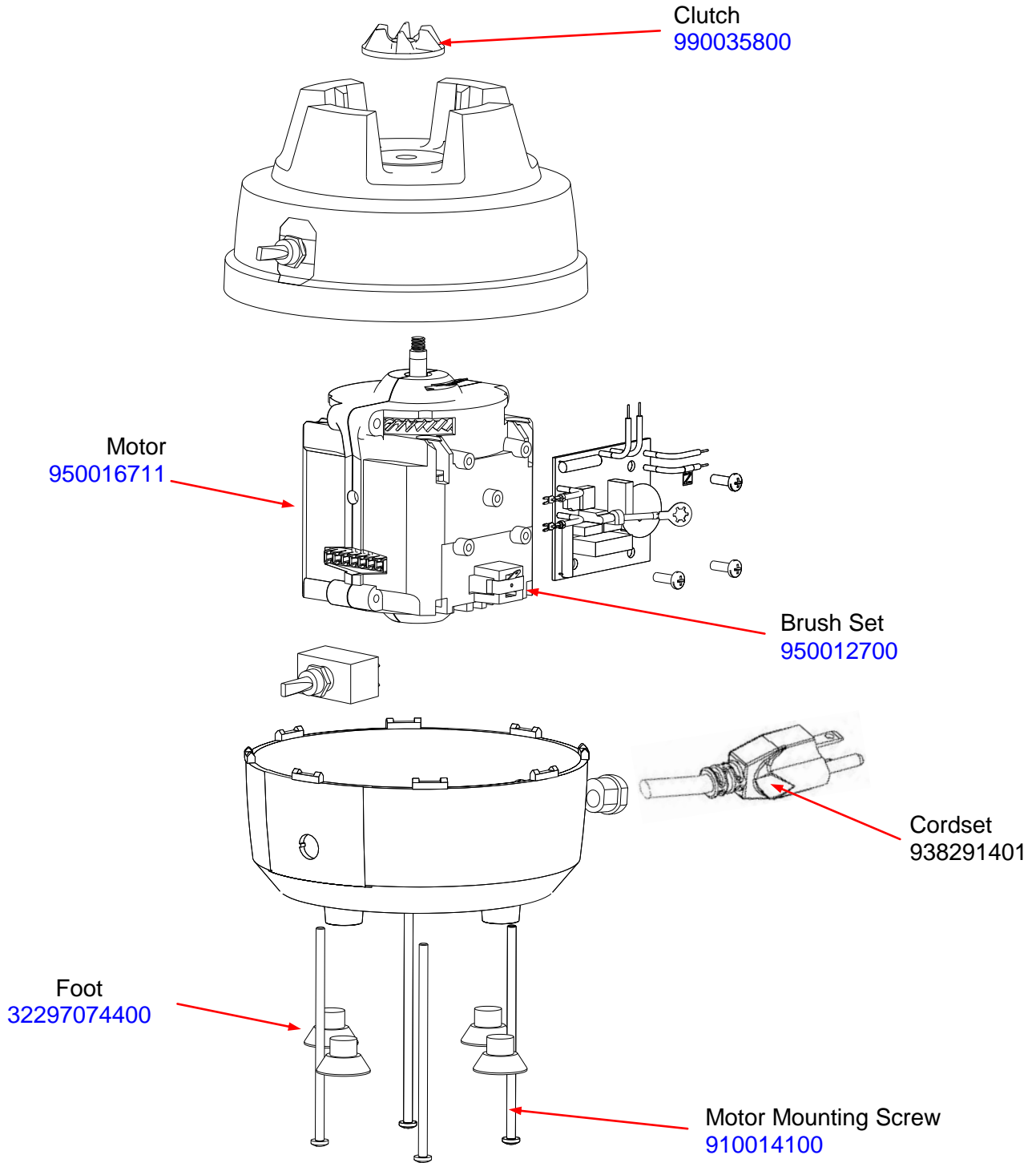
### REPLACEMENT PARTS




 Hamilton Beach 4421 Waterfront Drive Glen Allen, VA 23060	Revision Description:	Remove Obsolete Parts				
	Request Number:	DOC9436	Revision Date:	10/19/2018	Approved by:	DOC9436
	Issue Code(s):		Page:	1 of 3	Document #:	540007100
					Rev:	<b>B</b>

## Parts and Accessories Diagram

**PROPRIETARY RIGHTS NOTICE** This document and all information contained within it is the property of Hamilton Beach Brands, Inc. (HBB). It is confidential and proprietary and has been provided to you for a limited purpose. It must be returned or destroyed upon request. Disclosure, reproduction or use of this document and any information contained within it, in full or in part, for any purpose is forbidden without the prior written consent of HBB. No photographs may be taken of any article fabricated or assembled from this document without the prior written consent of HBB.



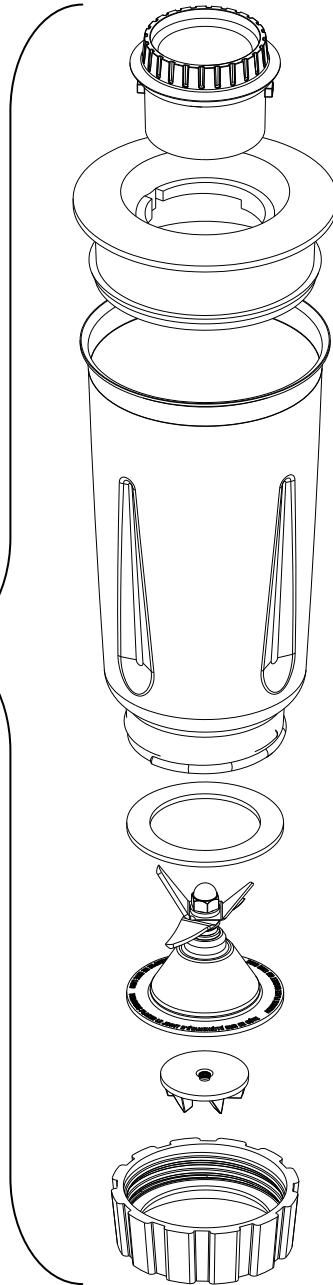
 Hamilton Beach 4421 Waterfront Drive Glen Allen, VA 23060	Revision Description:	Remove Obsolete Parts				
	Request Number:	DOC9436	Revision Date:	10/19/2018	Approved by:	DOC9436
	Issue Code(s):		Page:	2 of 3	Document #:	540007100
					Rev:	<b>B</b>


## Parts and Accessories Diagram

**PROPRIETARY RIGHTS NOTICE** This document and all information contained within it is the property of Hamilton Beach Brands, Inc. (HBB). It is confidential and proprietary and has been provided to you for a limited purpose. It must be returned or destroyed upon request. Disclosure, reproduction or use of this document and any information contained within it, in full or in part, for any purpose is forbidden without the prior written consent of HBB. No photographs may be taken of any article fabricated or assembled from this document without the prior written consent of HBB.

### ACCESSORIES

**COMPLETE  
ASSEMBLY**  
6126-909



 4421 Waterfront Drive Glen Allen, VA 23060	Revision Description:		Remove Obsolete Parts			
	Request Number:	DOC9436	Revision Date:	10/19/2018	Approved by:	DOC9436
	Issue Code(s):		Page:	3 of 3	Document #:	<b>540007100</b>
					Rev:	<b>B</b>