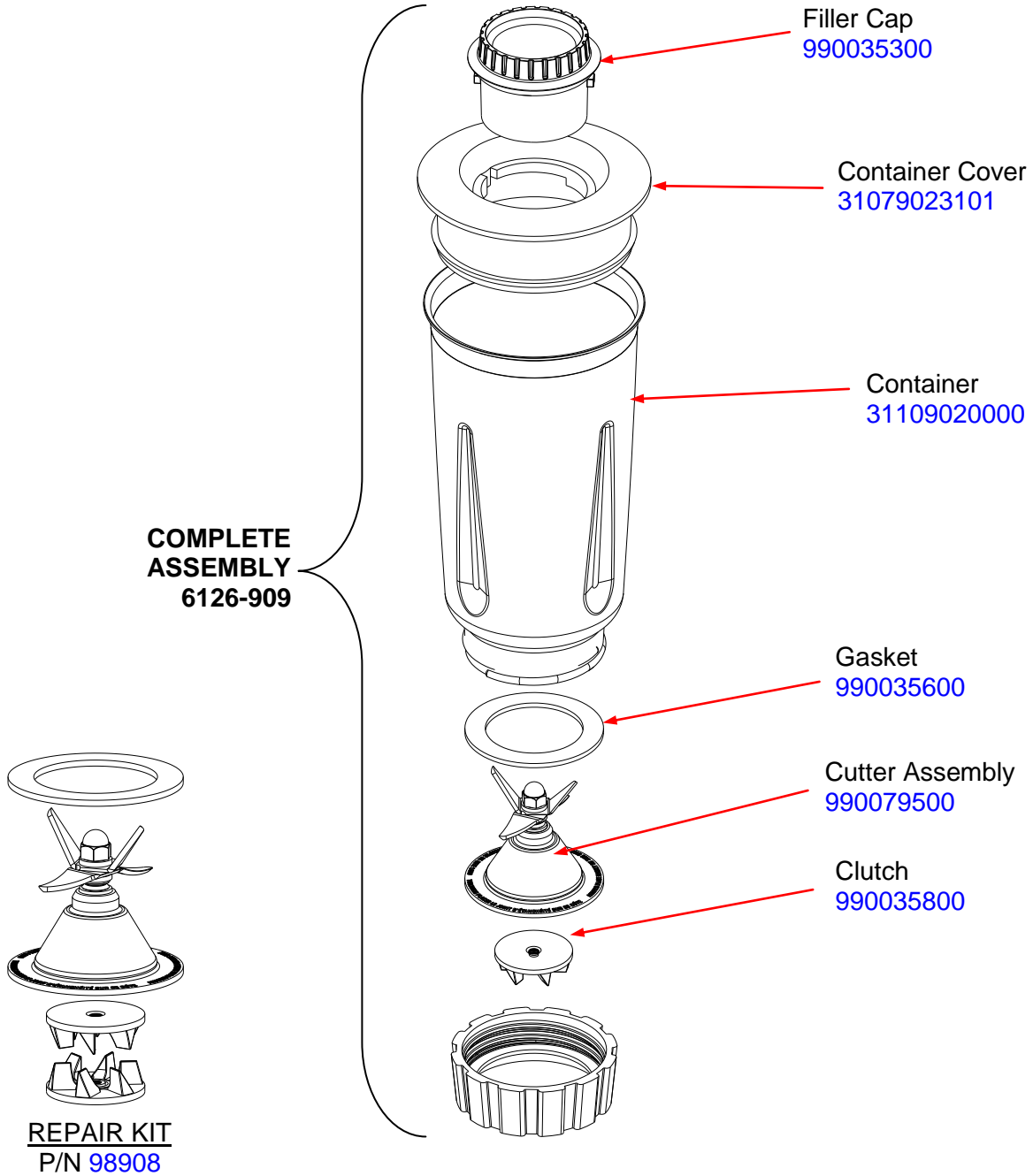



Parts and Accessories Diagram

PROPRIETARY RIGHTS NOTICE This document and all information contained within it is the property of Hamilton Beach Brands, Inc. (HBB). It is confidential and proprietary and has been provided to you for a limited purpose. It must be returned or destroyed upon request. Disclosure, reproduction or use of this document and any information contained within it, in full or in part, for any purpose is forbidden without the prior written consent of HBB. No photographs may be taken of any article fabricated or assembled from this document without the prior written consent of HBB.

REPLACEMENT PARTS



 4421 Waterfront Drive Glen Allen, VA 23060	Revision Description:	Remove Obsolete Parts				
	Request Number:	DOC9436	Revision Date:	10/19/2018	Approved by:	DOC9436
	Issue Code(s):		Page:	1 of 4	Document #:	540007200
					Rev:	B

Parts and Accessories Diagram

PROPRIETARY RIGHTS NOTICE This document and all information contained within it is the property of Hamilton Beach Brands, Inc. (HBB). It is confidential and proprietary and has been provided to you for a limited purpose. It must be returned or destroyed upon request. Disclosure, reproduction or use of this document and any information contained within it, in full or in part, for any purpose is forbidden without the prior written consent of HBB. No photographs may be taken of any article fabricated or assembled from this document without the prior written consent of HBB.

Clutch
990035800

Upper Housing
210017900

Armature Washer Kit

- Flat Washer
44023222002 (2)
- Spring Washer
44033272600 (2)
- Lg. Fiber Washer
44023184202
- Sm. Fiber Washer
44023184201

Motor Mount Assembly
910690901

Flat Washer

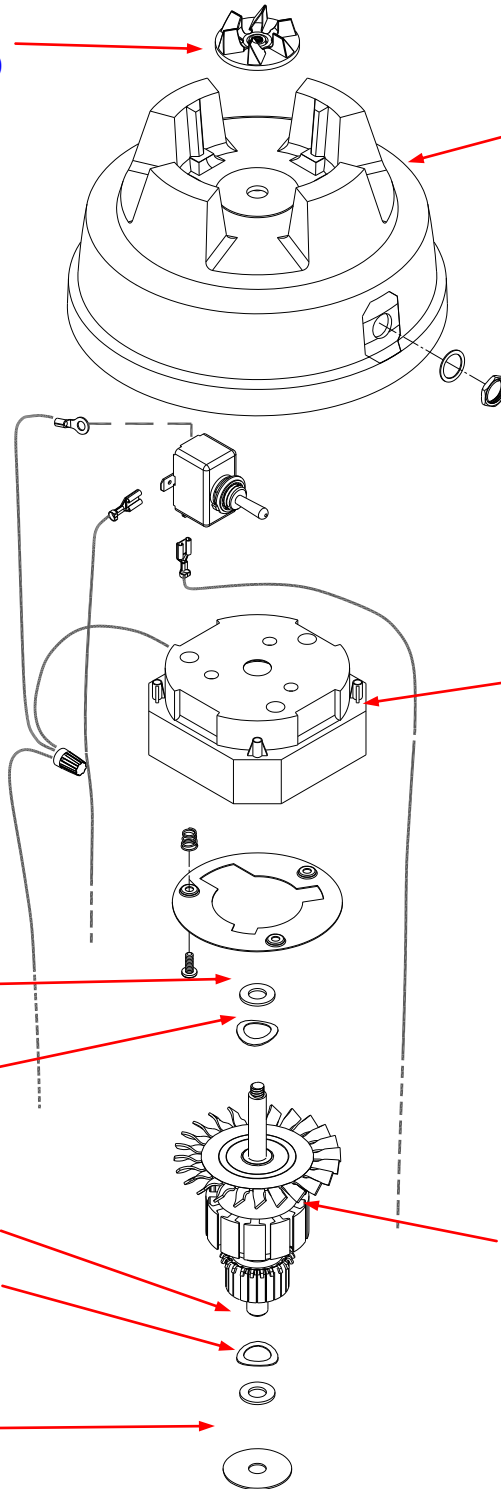
Spring Washer


Spring Washer

Flat Washer

Lg. Fiber Washer

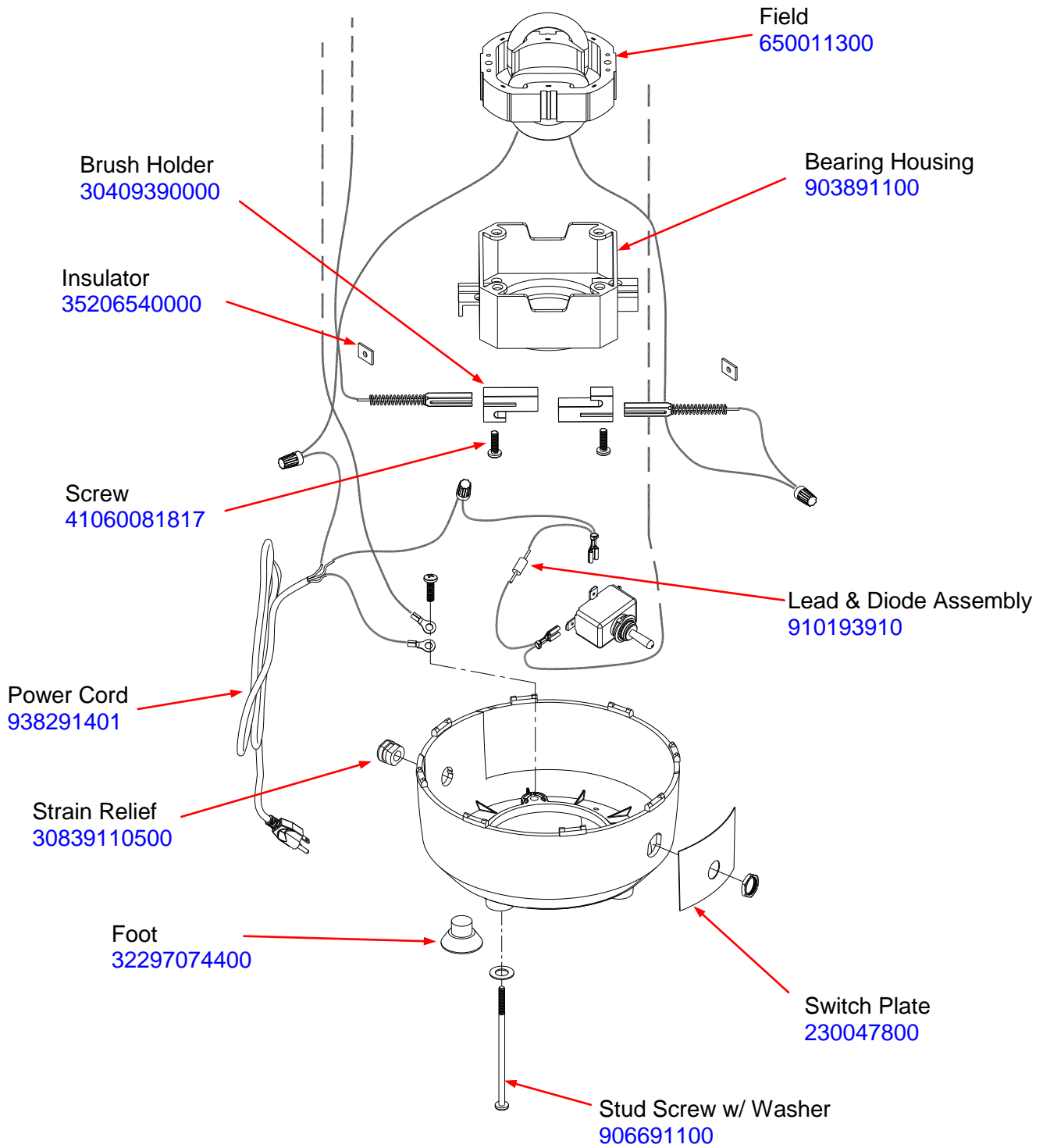
Armature
650010000




 4421 Waterfront Drive Glen Allen, VA 23060	Revision Description:	Remove Obsolete Parts				
	Request Number:	DOC9436	Revision Date:	10/19/2018	Approved by:	DOC9436
	Issue Code(s):		Page:	2 of 4	Document #:	540007200
					Rev:	B

Parts and Accessories Diagram

PROPRIETARY RIGHTS NOTICE This document and all information contained within it is the property of Hamilton Beach Brands, Inc. (HBB). It is confidential and proprietary and has been provided to you for a limited purpose. It must be returned or destroyed upon request. Disclosure, reproduction or use of this document and any information contained within it, in full or in part, for any purpose is forbidden without the prior written consent of HBB. No photographs may be taken of any article fabricated or assembled from this document without the prior written consent of HBB.



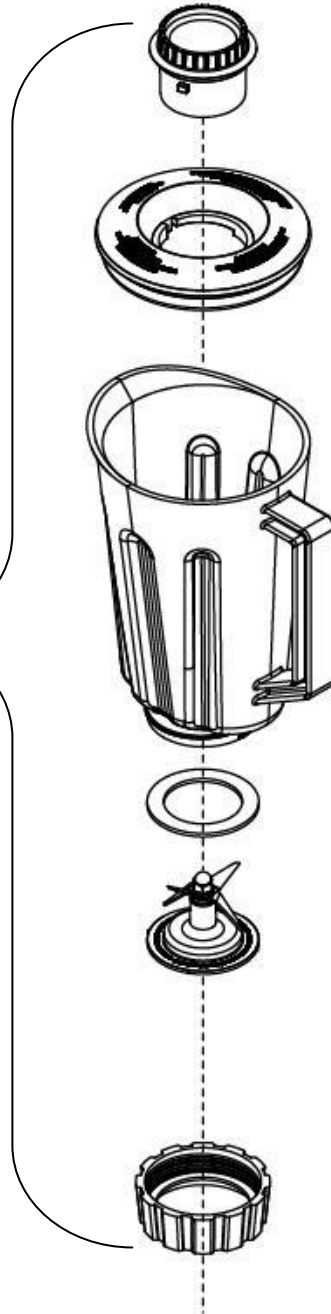
ACCESSORIES


 Hamilton Beach 4421 Waterfront Drive Glen Allen, VA 23060	Revision Description: Remove Obsolete Parts		Request Number: DOC9436		Revision Date: 10/19/2018		Approved by: DOC9436	
	Issue Code(s):		Page: 3 of 4		Document #: 540007200		Rev: B	

Parts and Accessories Diagram

PROPRIETARY RIGHTS NOTICE This document and all information contained within it is the property of Hamilton Beach Brands, Inc. (HBB). It is confidential and proprietary and has been provided to you for a limited purpose. It must be returned or destroyed upon request. Disclosure, reproduction or use of this document and any information contained within it, in full or in part, for any purpose is forbidden without the prior written consent of HBB. No photographs may be taken of any article fabricated or assembled from this document without the prior written consent of HBB.

44oz. Polycarb Container Complete
6126-HBB908



 Hamilton Beach 4421 Waterfront Drive Glen Allen, VA 23060	Revision Description:		Remove Obsolete Parts				
	Request Number:	DOC9436	Revision Date:	10/19/2018	Approved by:	DOC9436	
	Issue Code(s):		Page:	4 of 4	Document #:	540007200	Rev: