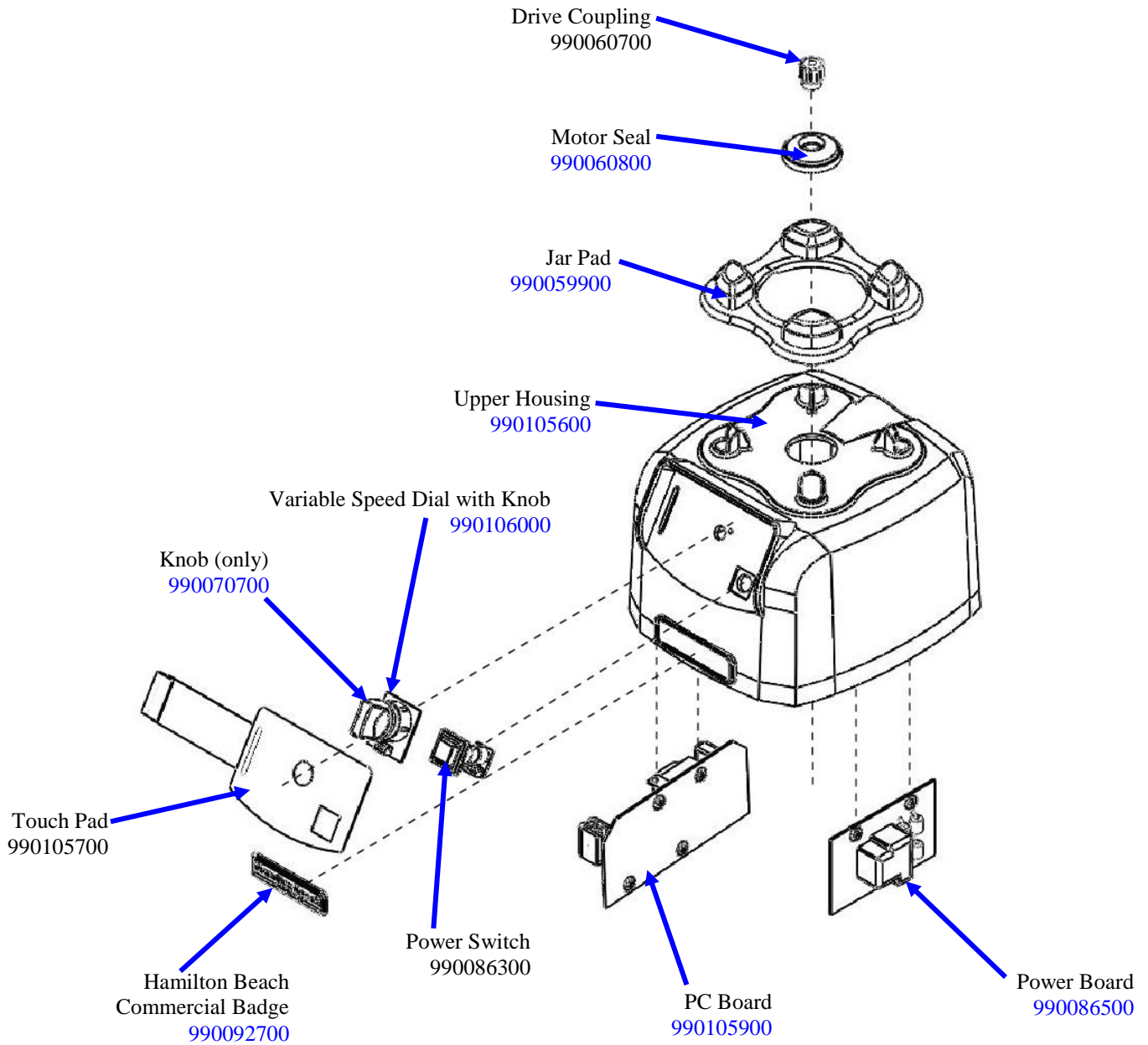



Replacement Parts Diagrams

HBF600-CE

PROPRIETARY RIGHTS NOTICE This document and all information contained within it is the property of Hamilton Beach Brands, Inc. (HBB). It is confidential and proprietary and has been provided to you for a limited purpose. It must be returned or destroyed upon request. Disclosure, reproduction or use of this document and any information contained within it, in full or in part, for any purpose is forbidden without the prior written consent of HBB. No photographs may be taken of any article fabricated or assembled from this document without the prior written consent of HBB.

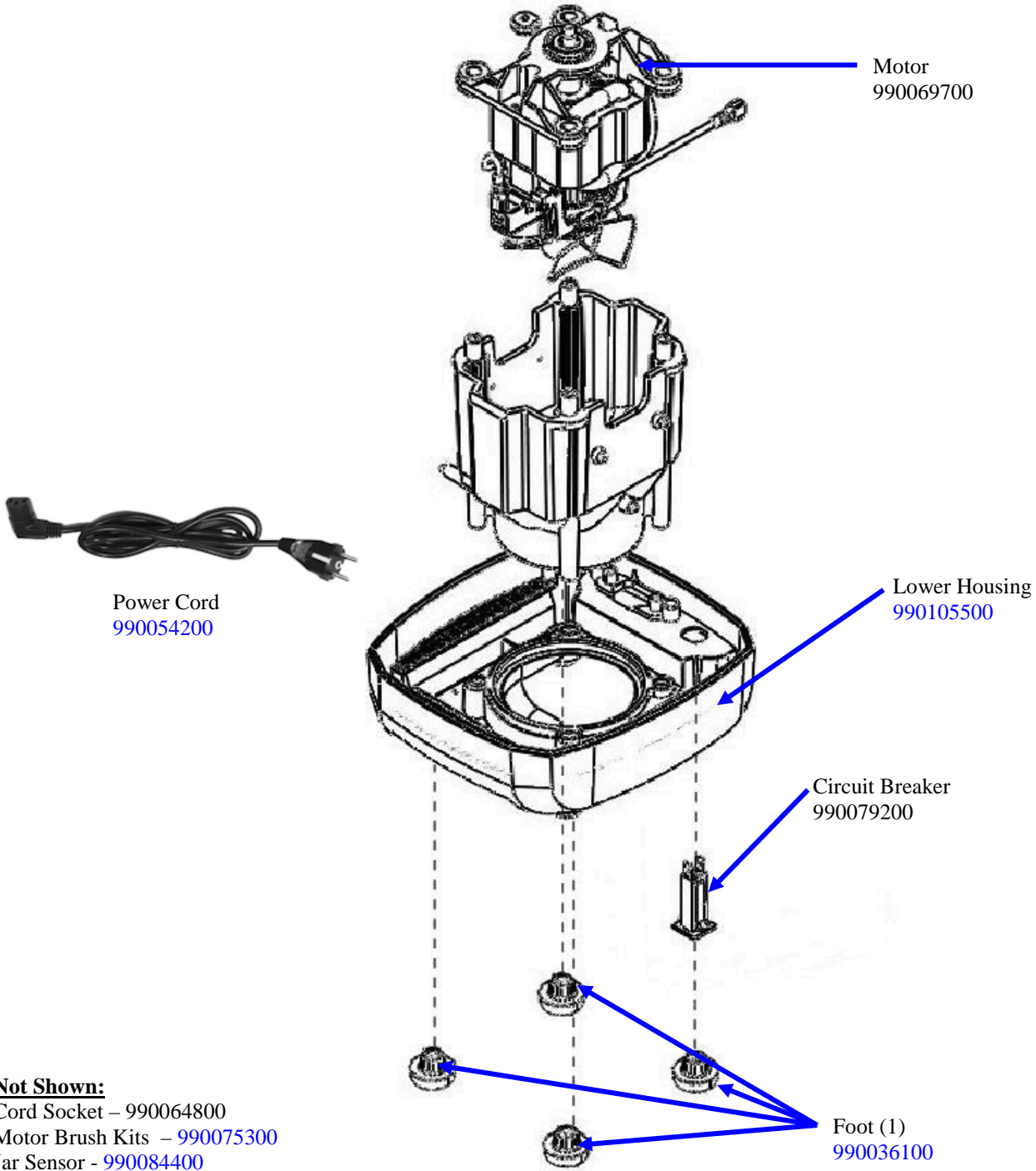



 <p>Hamilton Beach 4421 Waterfront Drive Glen Allen, VA 23060</p>	Revision Description:		Add Food Bands						
	Request Number:		DOC9613	Revision Date:		12/27/18	Approved by:		DOC9613
	Issue Code(s):		CS, SP	Page:	1 of 5	Document #:	540002300	Rev:	E

Replacement Parts Diagrams

HBF600-CE

PROPRIETARY RIGHTS NOTICE This document and all information contained within it is the property of Hamilton Beach Brands, Inc. (HBB). It is confidential and proprietary and has been provided to you for a limited purpose. It must be returned or destroyed upon request. Disclosure, reproduction or use of this document and any information contained within it, in full or in part, for any purpose is forbidden without the prior written consent of HBB. No photographs may be taken of any article fabricated or assembled from this document without the prior written consent of HBB.

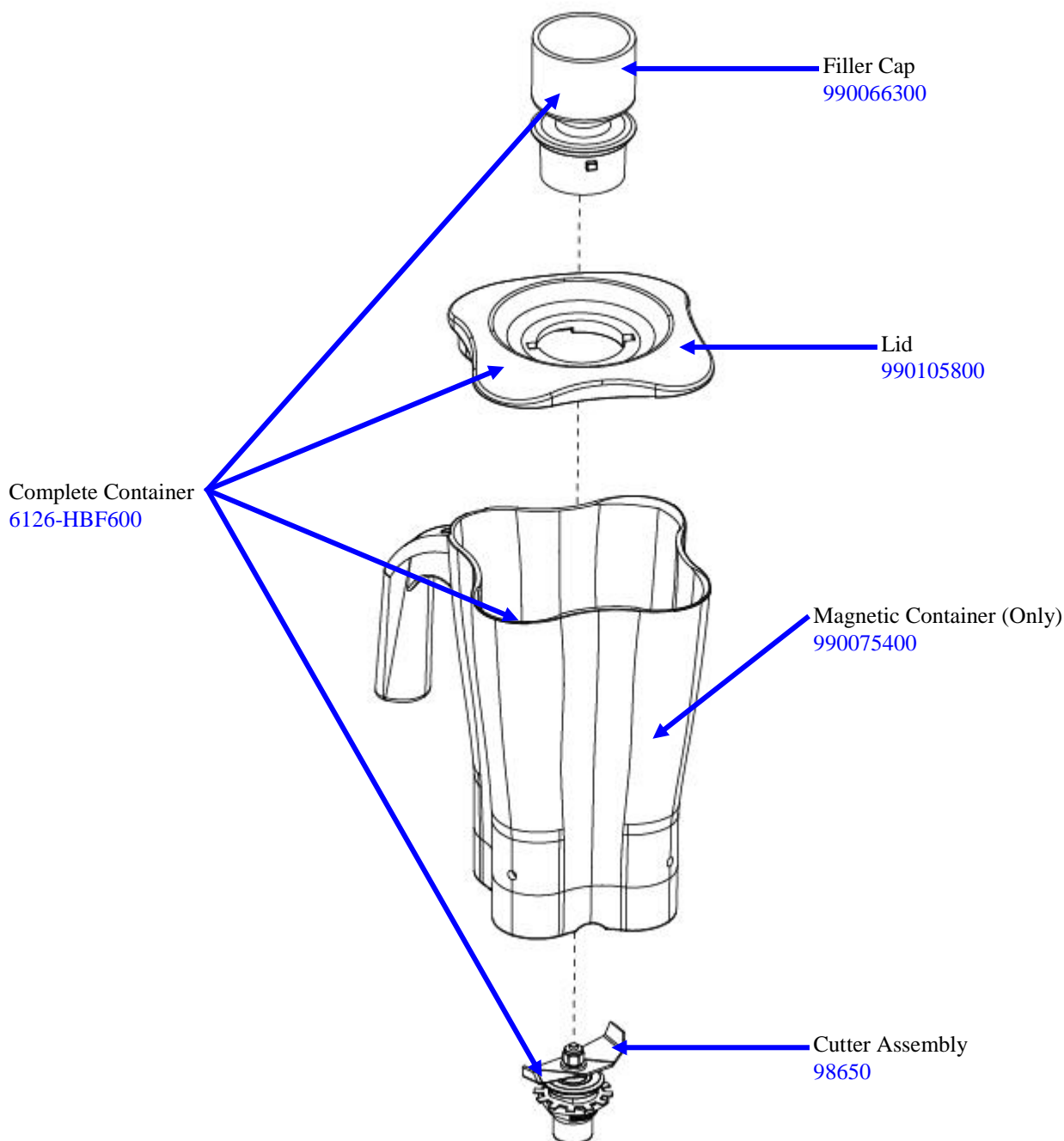



 <p>Hamilton Beach 4421 Waterfront Drive Glen Allen, VA 23060</p>	Revision Description: Add Food Bands							
	Request Number:	DOC9613	Revision Date:	12/27/18	Approved by:	DOC9613		
	Issue Code(s):	CS, SP	Page:	2 of 5	Document #:	540002300	Rev:	E

Replacement Parts Diagrams

HBF600-CE

PROPRIETARY RIGHTS NOTICE This document and all information contained within it is the property of Hamilton Beach Brands, Inc. (HBB). It is confidential and proprietary and has been provided to you for a limited purpose. It must be returned or destroyed upon request. Disclosure, reproduction or use of this document and any information contained within it, in full or in part, for any purpose is forbidden without the prior written consent of HBB. No photographs may be taken of any article fabricated or assembled from this document without the prior written consent of HBB.



 Hamilton Beach 4421 Waterfront Drive Glen Allen, VA 23060	Revision Description: Add Food Bands							
	Request Number:	DOC9613	Revision Date:	12/27/18	Approved by:	DOC9613		
	Issue Code(s):	CS, SP	Page:	3 of 5	Document #:	540002300	Rev:	E

Replacement Parts Diagrams

HBF600-CE

PROPRIETARY RIGHTS NOTICE This document and all information contained within it is the property of Hamilton Beach Brands, Inc. (HBB). It is confidential and proprietary and has been provided to you for a limited purpose. It must be returned or destroyed upon request. Disclosure, reproduction or use of this document and any information contained within it, in full or in part, for any purpose is forbidden without the prior written consent of HBB. No photographs may be taken of any article fabricated or assembled from this document without the prior written consent of HBB.

Band Complete Set – 990123600 (includes all bands below).



Food Band, Purple (Allergy)
P/N - 990123100

Food Band, White (Cheese)
P/N - 990123200



Food Band, Red (Meat)
P/N - 990123400




Food Band, Brown (Seafood)
P/N - 990123300



Food Band, Green (Vegetables)
P/N - 990123500



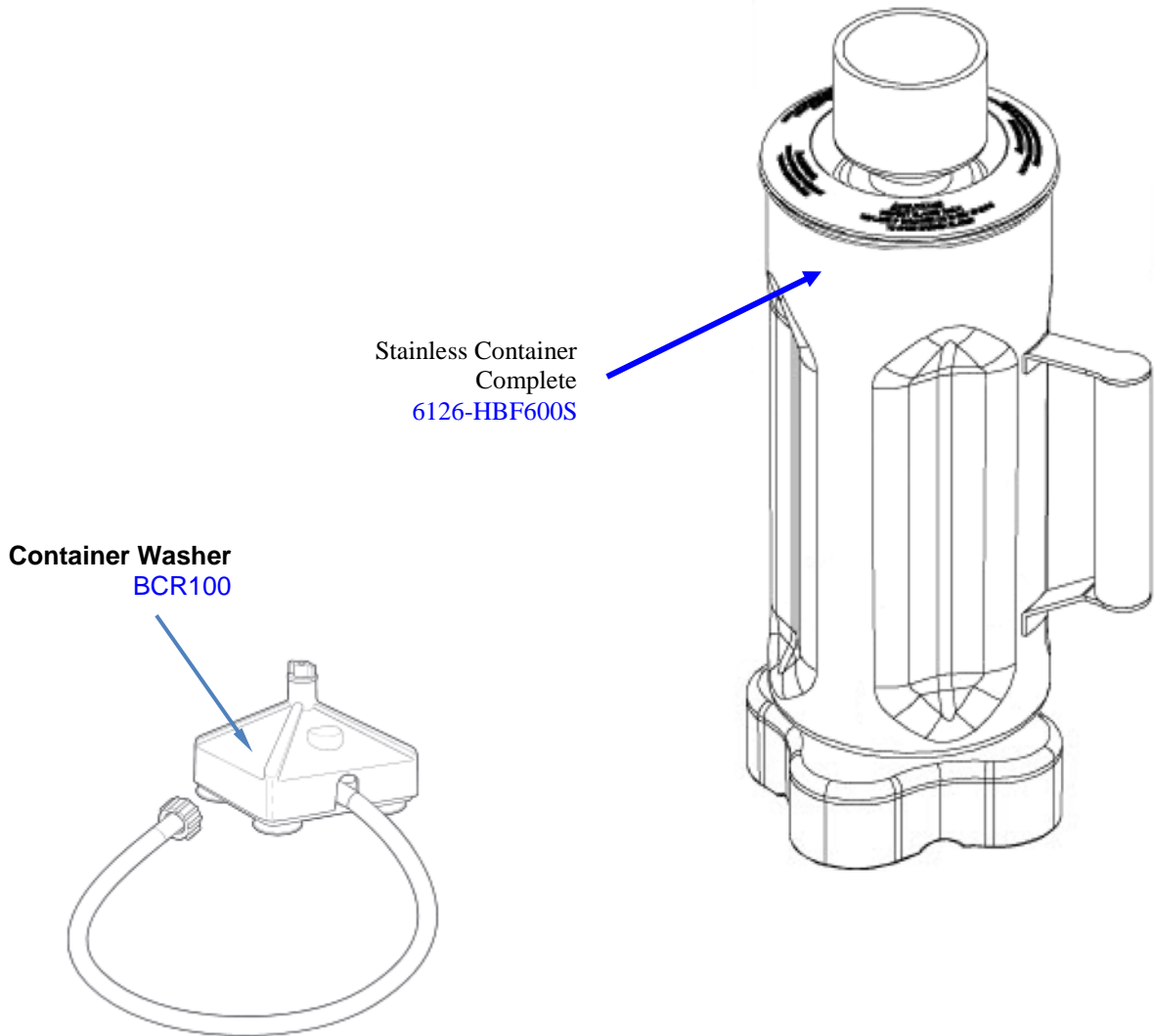
 4421 Waterfront Drive Glen Allen, VA 23060	Revision Description:		Add Food Bands					
	Request Number:	DOC9613	Revision Date:	12/27/18	Approved by:	DOC9613		
	Issue Code(s):	CS, SP	Page:	4 of 5	Document #:	540002300	Rev:	E

Replacement Parts Diagrams

HBF600-CE


PROPRIETARY RIGHTS NOTICE This document and all information contained within it is the property of Hamilton Beach Brands, Inc. (HBB). It is confidential and proprietary and has been provided to you for a limited purpose. It must be returned or destroyed upon request. Disclosure, reproduction or use of this document and any information contained within it, in full or in part, for any purpose is forbidden without the prior written consent of HBB. No photographs may be taken of any article fabricated or assembled from this document without the prior written consent of HBB.

Accessories



Stainless Container
Complete
6126-HBF600S

Container Washer
BCR100

 4421 Waterfront Drive Glen Allen, VA 23060	Revision Description:		Add Food Bands						
	Request Number:		DOC9613	Revision Date:		12/27/18	Approved by:		DOC9613
	Issue Code(s):		CS, SP	Page:	5 of 5	Document #:	540002300	Rev:	E