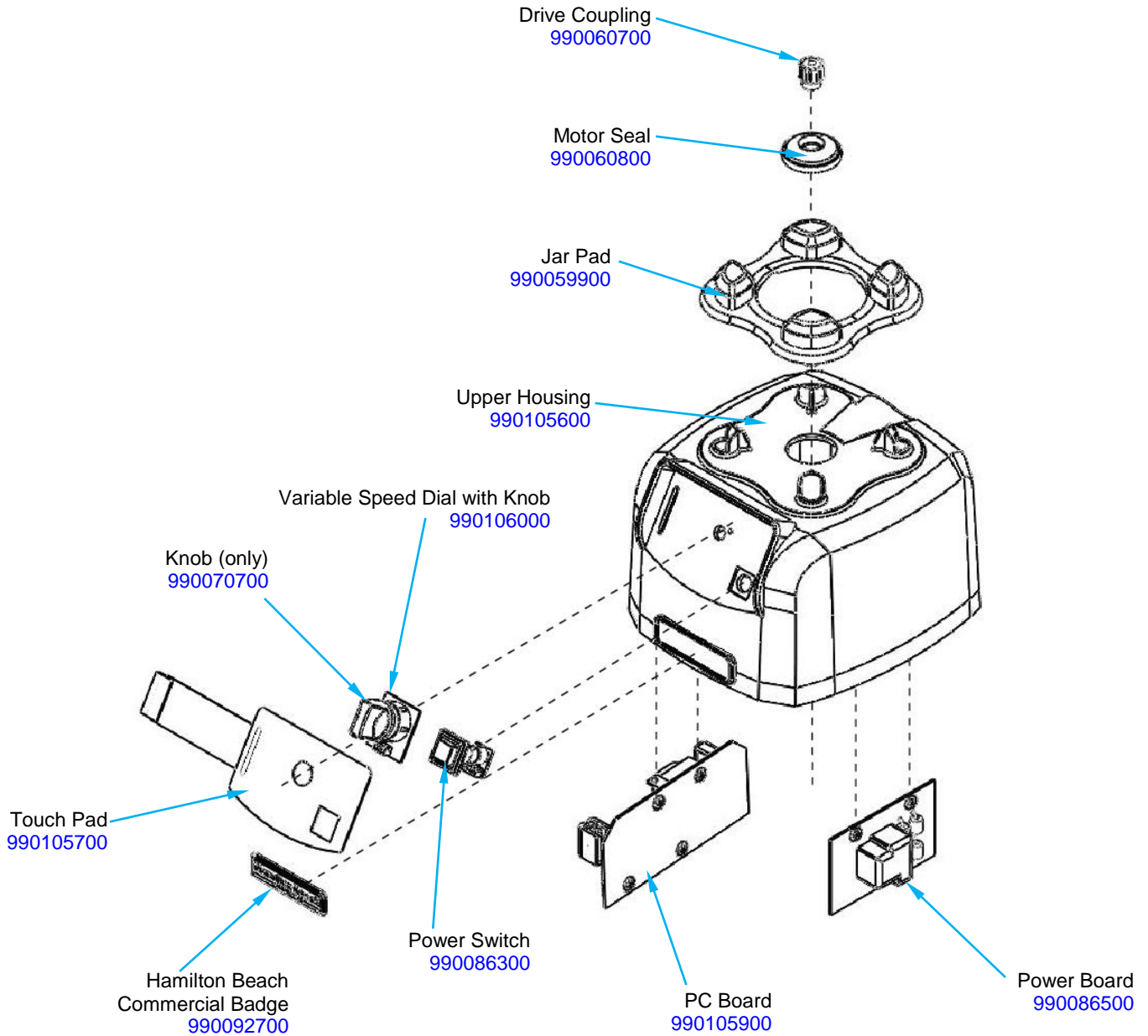



Replacement Parts Diagrams HBF600S-CCC

PROPRIETARY RIGHTS NOTICE This document and all information contained within it is the property of Hamilton Beach Brands, Inc. (HBB). It is confidential and proprietary and has been provided to you for a limited purpose. It must be returned or destroyed upon request. Disclosure, reproduction or use of this document and any information contained within it, in full or in part, for any purpose is forbidden without the prior written consent of HBB. No photographs may be taken of any article fabricated or assembled from this document without the prior written consent of HBB.

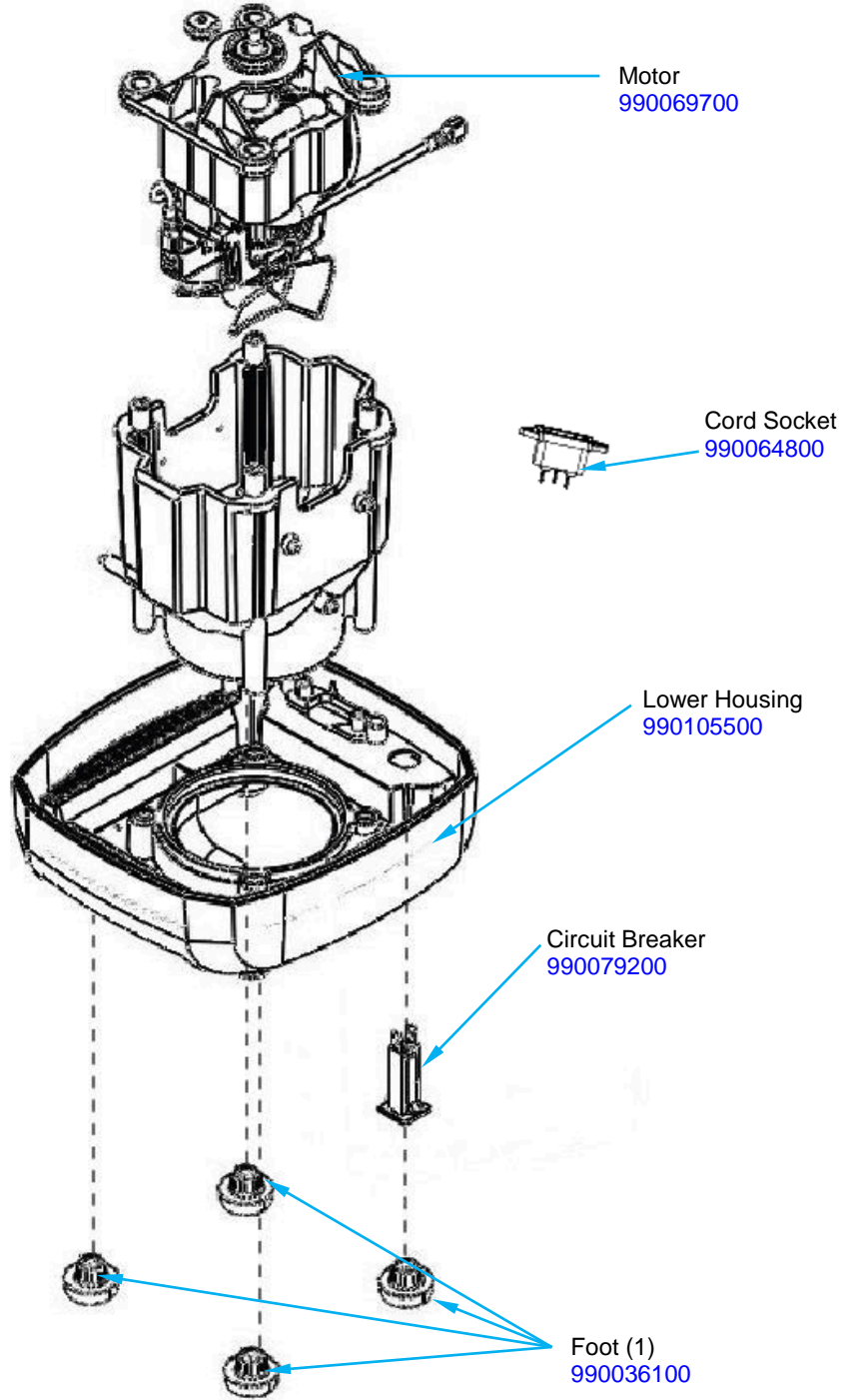


 4421 Waterfront Drive Glen Allen, VA 23060	Revision Description: Correct Cutter Assembly		Revision Date: 8/22/18		Approved by: DOC9221	
	Request Number: DOC9221	Page: 1 of 4		Document #: 540004400	Rev: D	
	Issue Code(s): CS, SP					

Replacement Parts Diagrams

HBF600S-CCC

PROPRIETARY RIGHTS NOTICE This document and all information contained within it is the property of Hamilton Beach Brands, Inc. (HBB). It is confidential and proprietary and has been provided to you for a limited purpose. It must be returned or destroyed upon request. Disclosure, reproduction or use of this document and any information contained within it, in full or in part, for any purpose is forbidden without the prior written consent of HBB. No photographs may be taken of any article fabricated or assembled from this document without the prior written consent of HBB.



Not Shown:

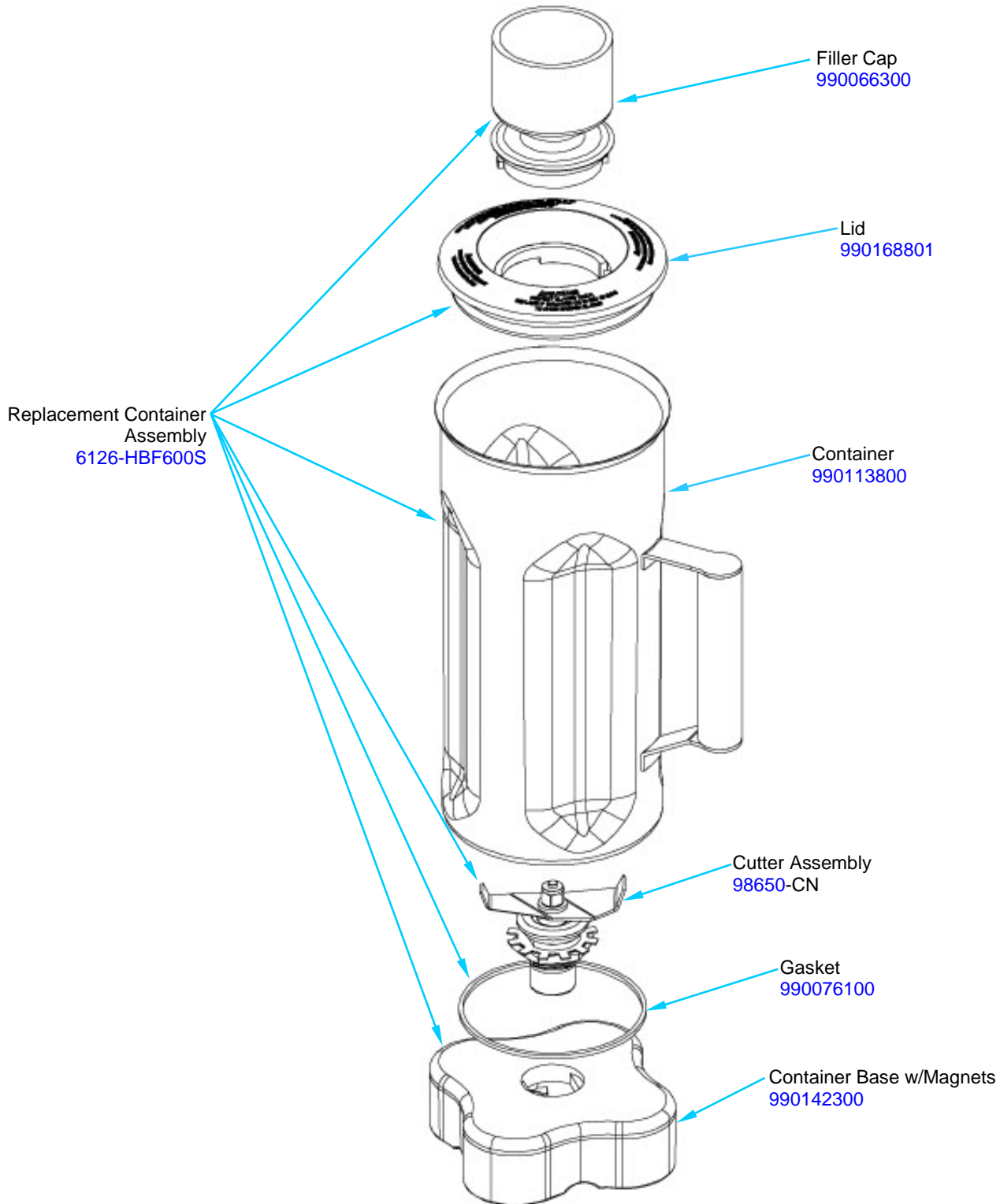
- Power Cord – 990054201
- Cord Socket – 990064800
- Motor Brush Kits – 990075300
- Jar Sensor – 990084400


 4421 Waterfront Drive Glen Allen, VA 23060	Revision Description: Correct Cutter Assembly		Revision Date: 8/22/18		Approved by: DOC9221	
	Request Number: DOC9221	Page: 2 of 4		Document #: 540004400	Rev: D	
	Issue Code(s): CS, SP					

Replacement Parts Diagrams

HBF600S-CCC

PROPRIETARY RIGHTS NOTICE This document and all information contained within it is the property of Hamilton Beach Brands, Inc. (HBB). It is confidential and proprietary and has been provided to you for a limited purpose. It must be returned or destroyed upon request. Disclosure, reproduction or use of this document and any information contained within it, in full or in part, for any purpose is forbidden without the prior written consent of HBB. No photographs may be taken of any article fabricated or assembled from this document without the prior written consent of HBB.



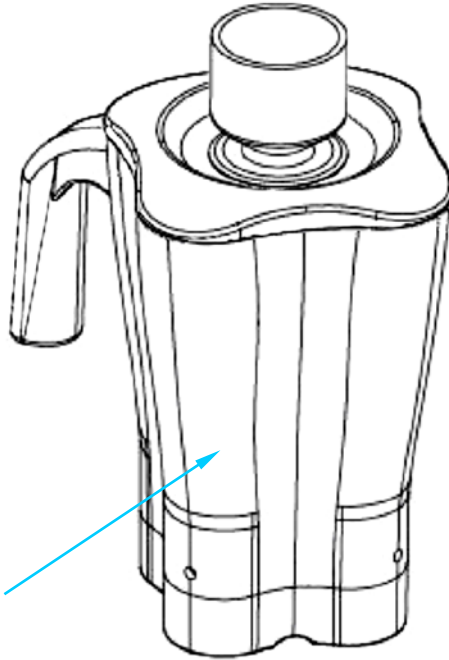
 4421 Waterfront Drive Glen Allen, VA 23060	Revision Description: Correct Cutter Assembly		Revision Date: 8/22/18		Approved by: DOC9221	
	Request Number: DOC9221	Page: 3 of 4		Document #: 540004400	Rev: D	
	Issue Code(s): CS, SP					

Replacement Parts Diagrams

HBF600S-CCC

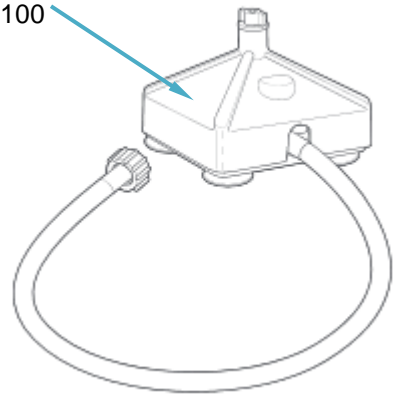
PROPRIETARY RIGHTS NOTICE This document and all information contained within it is the property of Hamilton Beach Brands, Inc. (HBB). It is confidential and proprietary and has been provided to you for a limited purpose. It must be returned or destroyed upon request. Disclosure, reproduction or use of this document and any information contained within it, in full or in part, for any purpose is forbidden without the prior written consent of HBB. No photographs may be taken of any article fabricated or assembled from this document without the prior written consent of HBB.


Accessories



Complete Container
6126-HBF600

Container Washer
BCR100



 4421 Waterfront Drive Glen Allen, VA 23060	Revision Description:		Correct Cutter Assembly					
	Request Number:	DOC9221	Revision Date:	8/22/18	Approved by:	DOC9221		
	Issue Code(s):	CS, SP	Page:	4 of 4	Document #:	540004400	Rev:	D