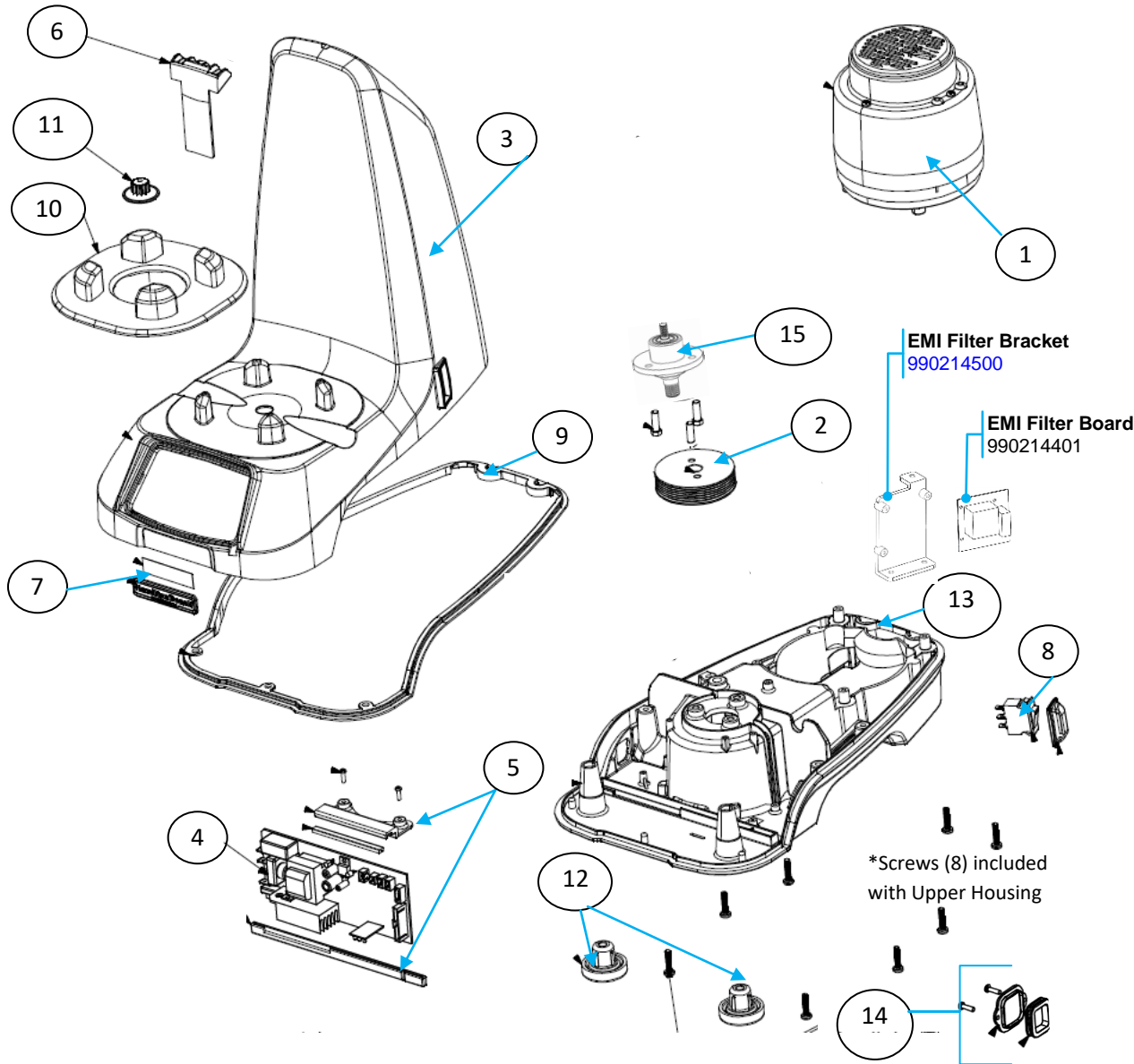



HBF900S-CE Parts & Accessories Diagram

PROPRIETARY RIGHTS NOTICE This document and all information contained within it is the property of Hamilton Beach Brands, Inc. (HBB). It is confidential and proprietary and has been provided to you for a limited purpose. It must be returned or destroyed upon request. Disclosure, reproduction or use of this document and any information contained within it, in full or in part, for any purpose is forbidden without the prior written consent of HBB. No photographs may be taken of any article fabricated or assembled from this document without the prior written consent of HBB.

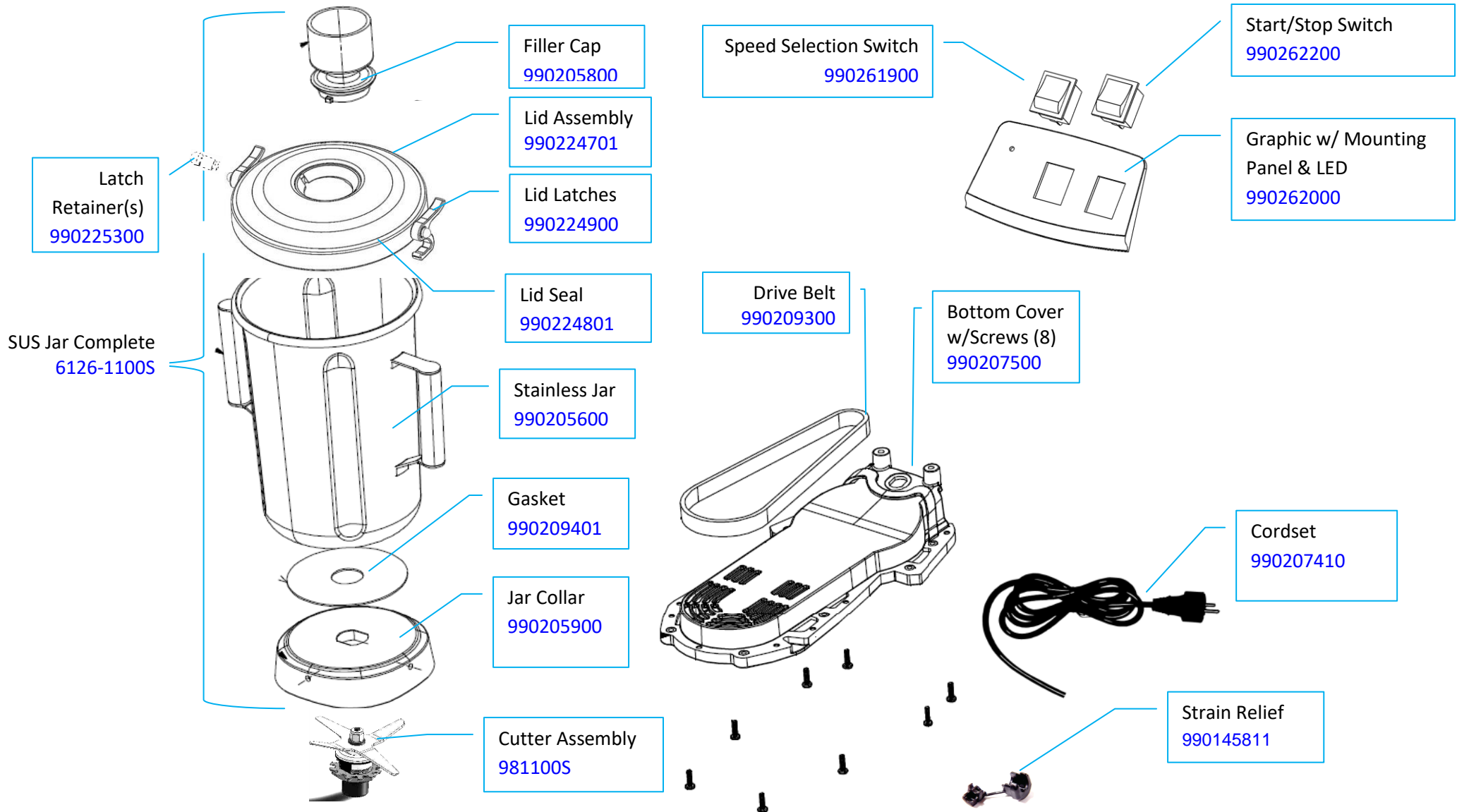



Bub. No.	Part Number	Description
1	990206001	Motor Assembly
2	990206500	Output Pulley
3	990206600	Upper Housing
4	990262101	Main PCBA
5	990206100	PCBA Mount
6	990206300	Hall Sensory Assy.
7	990092700	Commercial Badge
8	990207301	Breaker Switch
9	990206800	Upper Housing Seal
10	990206700	Jar Pad
11	990147700	Drive Coupling
12	990207600	Foot (2)
13	990206900	Lower Housing
14	990207200	Memory Card Cover
15	990206400	Output Assembly

 4421 Waterfront Drive Glen Allen, VA 23060	Revision Description:	Update Lid Assembly and Lid Seal part numbers.				
	Request Number:	DOC11357	Revision Date:	10-Aug-2020	Approved by:	DOC11357
	Issue Code(s):		Page:	1 of 2	Document #:	540095800
					Rev:	D

HBF900S-CE Parts & Accessories Diagram

PROPRIETARY RIGHTS NOTICE This document and all information contained within it is the property of Hamilton Beach Brands, Inc. (HBB). It is confidential and proprietary and has been provided to you for a limited purpose. It must be returned or destroyed upon request. Disclosure, reproduction or use of this document and any information contained within it, in full or in part, for any purpose is forbidden without the prior written consent of HBB. No photographs may be taken of any article fabricated or assembled from this document without the prior written consent of HBB.



 4421 Waterfront Drive Glen Allen, VA 23060	Revision Description:	Update Lid Assembly and Lid Seal part numbers.				
	Request Number:	DOC11357	Revision Date:	10-Aug-2020	Approved by:	DOC11357
	Issue Code(s):		Page:	2 of 2	Document #:	540095800
					Rev:	D