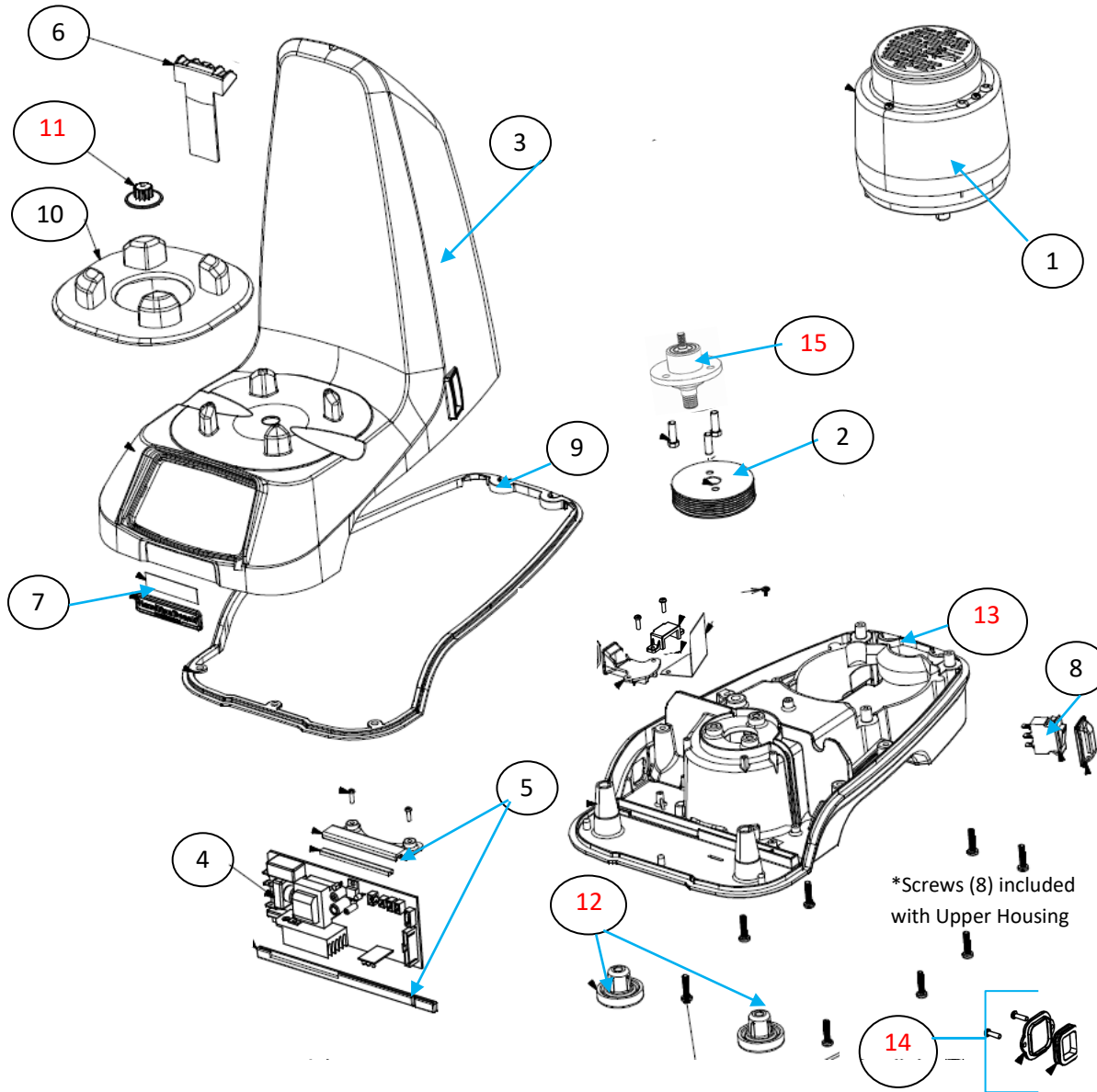



## HBF900S Parts & Accessories Diagram

**PROPRIETARY RIGHTS NOTICE** This document and all information contained within it is the property of Hamilton Beach Brands, Inc. (HBB). It is confidential and proprietary and has been provided to you for a limited purpose. It must be returned or destroyed upon request. Disclosure, reproduction or use of this document and any information contained within it, in full or in part, for any purpose is forbidden without the prior written consent of HBB. No photographs may be taken of any article fabricated or assembled from this document without the prior written consent of HBB.

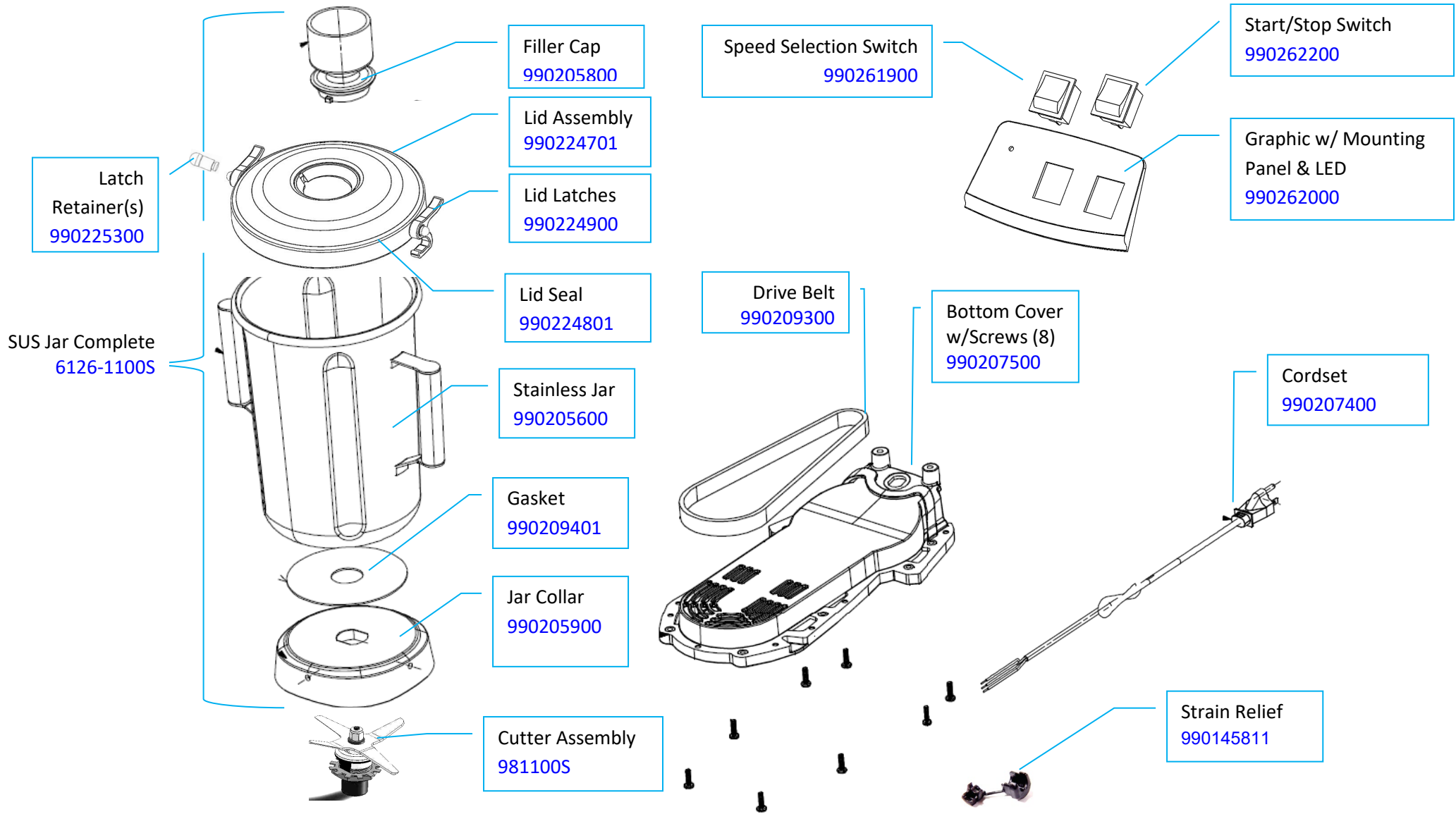



Bub. No.	Part Number	Description
1	990206000	Motor Assembly
2	990206500	Output Pulley
3	990206600	Upper Housing
4	990262100	Main PCBA
5	990206100	PCBA Mount
6	990206300	Hall Sensory Assy.
7	990092700	Commercial Badge
8	990114100	Breaker Switch
9	990206800	Upper Housing Seal
10	990206700	Jar Pad
11	990147700	Drive Coupling
12	990207600	Foot (2)
13	990206900	Lower Housing
14	990207200	Memory Card Cover
15	990206400	Output Assembly

 4421 Waterfront Drive Glen Allen, VA 23060	Revision Description:	Correct Bubble/Table numbers.				
	Request Number:	DOC12074	Revision Date:	21 Jun 2021	Approved by:	DOC12074
	Issue Code(s):		Page:	1 of 2	Document #:	540095300
					Rev:	E

## HBF900S Parts & Accessories Diagram

**PROPRIETARY RIGHTS NOTICE** This document and all information contained within it is the property of Hamilton Beach Brands, Inc. (HBB). It is confidential and proprietary and has been provided to you for a limited purpose. It must be returned or destroyed upon request. Disclosure, reproduction or use of this document and any information contained within it, in full or in part, for any purpose is forbidden without the prior written consent of HBB. No photographs may be taken of any article fabricated or assembled from this document without the prior written consent of HBB.



 4421 Waterfront Drive Glen Allen, VA 23060	Revision Description:	Correct Bubble/Table numbers.				
	Request Number:	DOC12074	Revision Date:	21 Jun 2021	Approved by:	DOC12074
	Issue Code(s):		Page:	2 of 2	Document #:	540095300
					Rev:	E