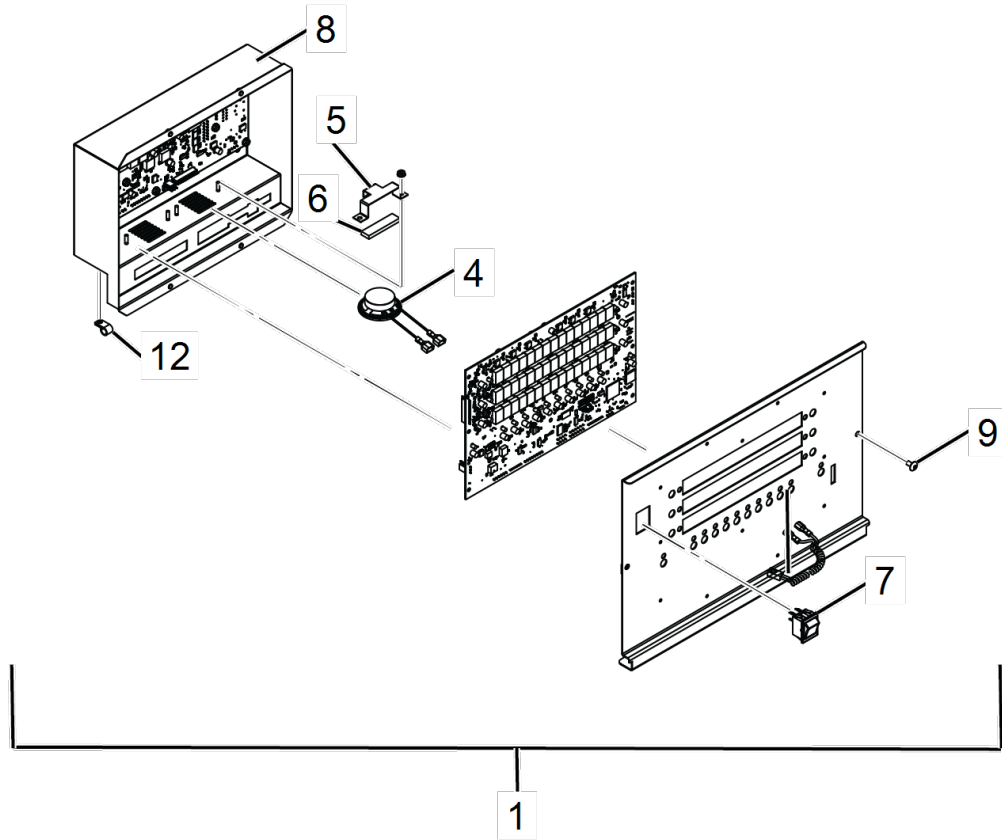
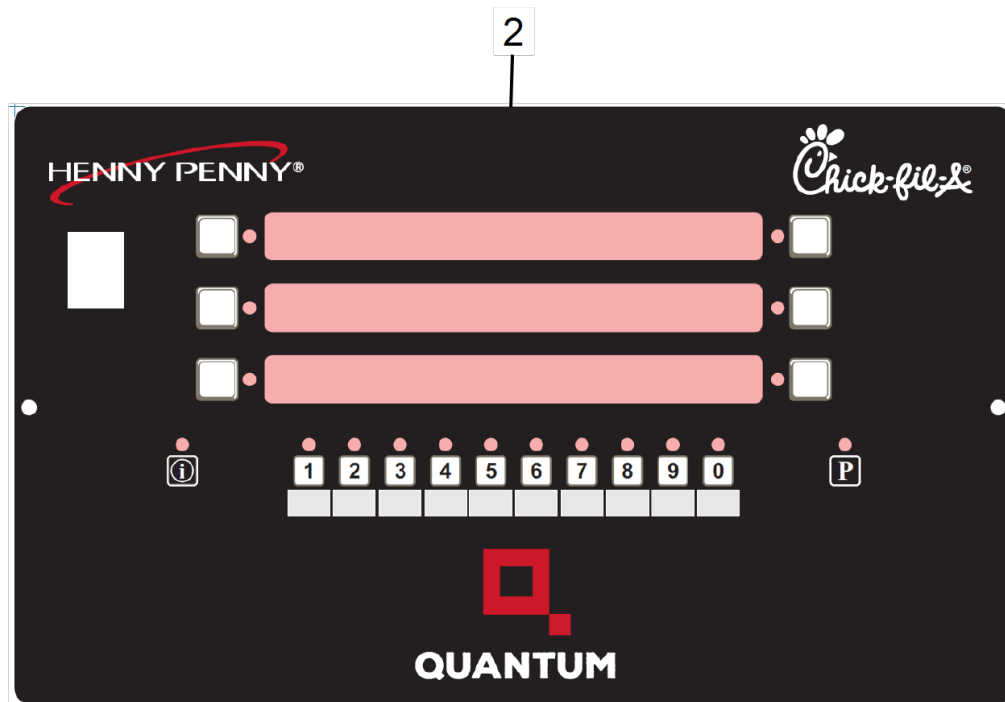


For the most up-to-date parts information, visit
<https://parts.hennypennyhelp.com>.

Control Parts



For the most up-to-date parts information, visit
<https://parts.hennypennyhelp.com>.



Item No.	Part No.	Description	Qty	Stocking Level
1	140779	Control board assembly	1	B
2	183081	Control board decal	1	
3*	183052	Menu card	1	
4	ME70-008	Speaker	2	A
5	155570	Speaker bracket	2	
6	173428	Foam tape, 2 inch	2	
7	52224	Power switch, covered	1	A
8	182339	Control board rear cover	1	
9	SC01-006	Screw, #10-32 x 3/8 PH, THD (Control board mounting screw)	2	

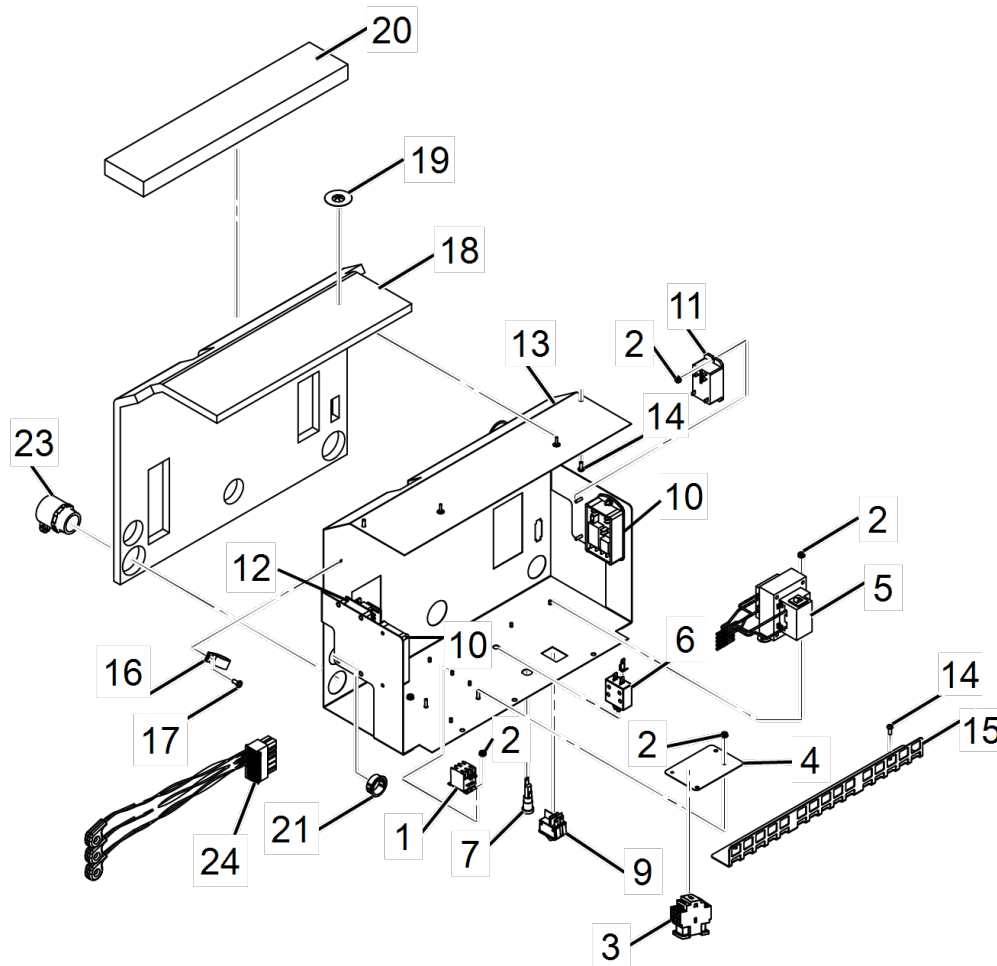
For the most up-to-date parts information, visit
<https://parts.hennypennyhelp.com>.

Item No.	Part No.	Description	Qty	Stocking Level
10*	183683	Control board shroud	1	
11*	SC03-005	Screw, #8 x 1/2 PH, PHD (Control board shroud screw)	5	
12	EF02-032	Clamp, 5/16 in, 10 x 3/8 in	1	
13*	NS02-005	Keps nut, #6-32, hex (Clamp nut)	1	
Recommended Parts: A = Truck Stock; B = Dist. Stock * = Not Shown A/R = As Required				



For the most up-to-date parts information, visit
<https://parts.hennypennyhelp.com>.

Front Electrical System



Item No.	Part No.	Description	Qty.	Stocking Level
1	29509	24 VAC primary contactor	1	A
2	NS02-005	Keps nut, #6-32, hex (Primary contactor nut)	4	
3	65073	24 VAC heat contactor	1	A



For the most up-to-date parts information, visit
<https://parts.hennypennyhelp.com>.

Item No.	Part No.	Description	Qty.	Stocking Level
2	NS02-005	Keps nut, #6-32, hex (Heat contactor nut)	2	
4	184416	Heat contactor mounting plate	1	
2	NS02- 005	Keps nut, #6-32, hex (Heat contactor mounting plate nut)	3	
5	84134	Transformer, 24V/208V, 75VAC	1	A
2	NS02-005	Keps nut, #6-32, hex (Transformer mounting nut)	2	
6	EF02-125	Push button reset breaker	2	A
7	EF02-104	Fuse holder, 20A, 250V	1	A
8*	FA52-005	Time delay fuse, 0.5 amp	1	A
9	157360	High limit reset switch	1	A
10	175915-006	Dual high-limit control, 100-240V, 575°, SVC Pack	2	A
2*	NS02-005	Keps nut, #6-32, hex (High limit mounting nut)	4	
11	ME90-008	Relay, 12 VDC, 30A	1	A
2	NS02-005	Keps nut, #6-32, hex (Relay mounting nut)	2	
12	140936	Power supply & THD LKG kit	1	A
13	181699	Front electrical component shroud	1	
14	SC03-005	Tek screw, #8 x 1/2 PH, PHD (Front electrical component shroud screw)	5	



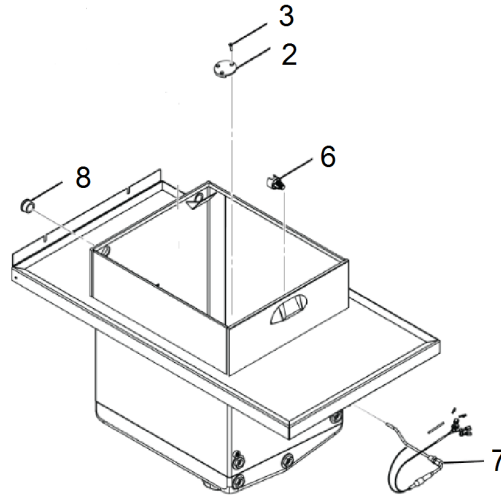
For the most up-to-date parts information, visit
<https://parts.hennypennyhelp.com>.

Item No.	Part No.	Description	Qty.	Stocking Level
15	167693	Wire guard	1	
14	SC03-005	Tek screw, #8 x 1/2 PH, PHD (Wire guard screw)	1	
16	MS01-614	Cushioned wire loop	1	
17	SC03-001	Tek screw, #10 x 1/2 PH, PHD (Cushioned wire loop screw)	1	
18	183557	Electrical component shroud insulation	1	
19	WA02-001	Insulation washer	2	
20	16303	Countertop insulation	1	
21	EF02-069	Snap bushing, 15/16	1	
22*	EF02-014	Strain relief, 1 inch, squeeze	1	
23	EF02-101	Conduit connector, 1 inch, flex	1	
24	183840-001	Current sensor harness	1	A
Recommended Parts: A = Truck Stock; B = Dist. Stock * = Not Shown A/R = As Required				



For the most up-to-date parts information, visit
<https://parts.hennypennyhelp.com>.

Vat



Item No.	Part No.	Description	Qty.	Stocking Level
1*	140951	Basket rest kit	3	Order through Clark
2	182432	Oil inlet cap	2	
3	SC01-032	Screw, #8-32 x 5/8 PH (Oil inlet cap screw)	6	
4*	140783	Temperature probe kit	1	A
5*	140785	Level/Bottom probe kit	2	A
6	187916	Compression fitting .188 (Need to order 16855 o-ring also)	3	



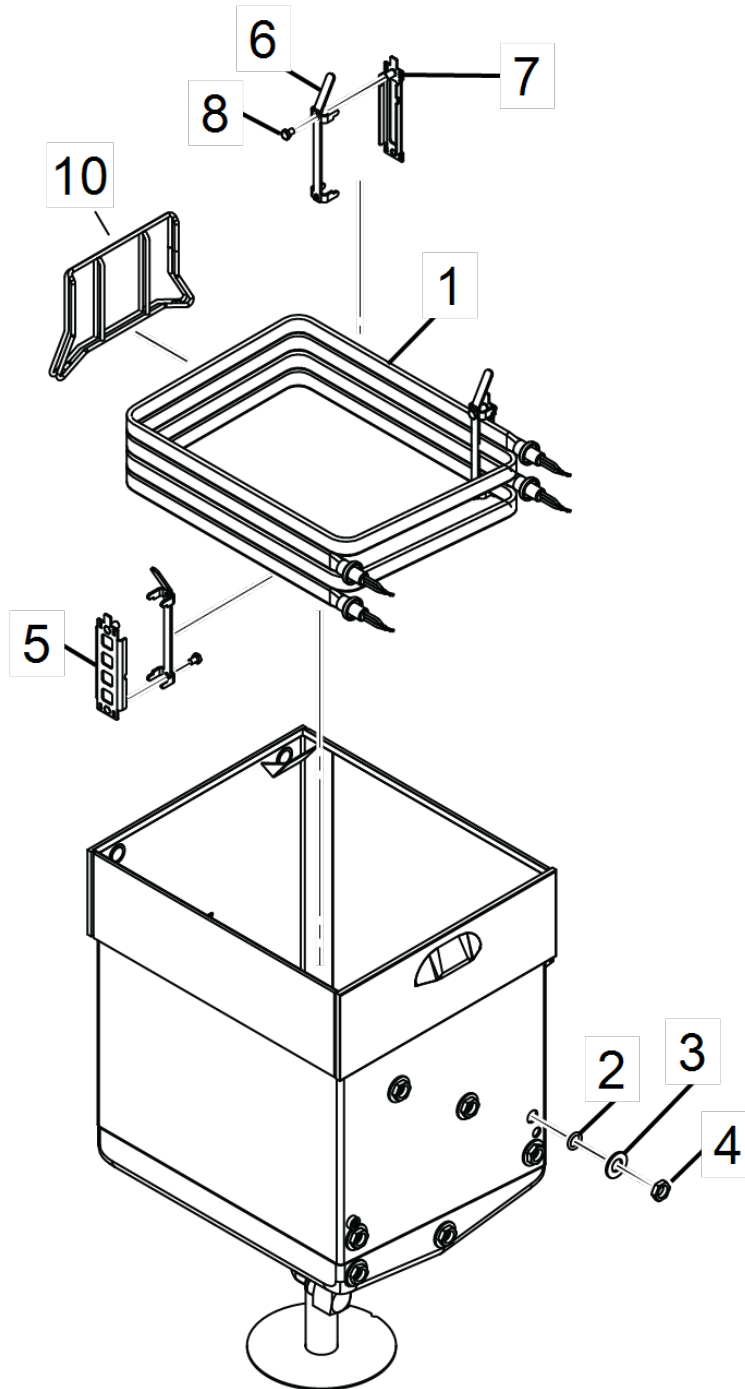
For the most up-to-date parts information, visit
<https://parts.hennypennyhelp.com>.

Item No.	Part No.	Description	Qty.	Stocking Level
7	162523	High limit thermocouple w/RTD	1	A
8	17154	Vat fitting, SS, 1-1/8 diameter	A/R	
<p>Recommended Parts: A = Truck Stock; B = Dist. Stock * = Not Shown A/R = As Required</p>				



For the most up-to-date parts information, visit
<https://parts.hennypennyhelp.com>.

Heat System





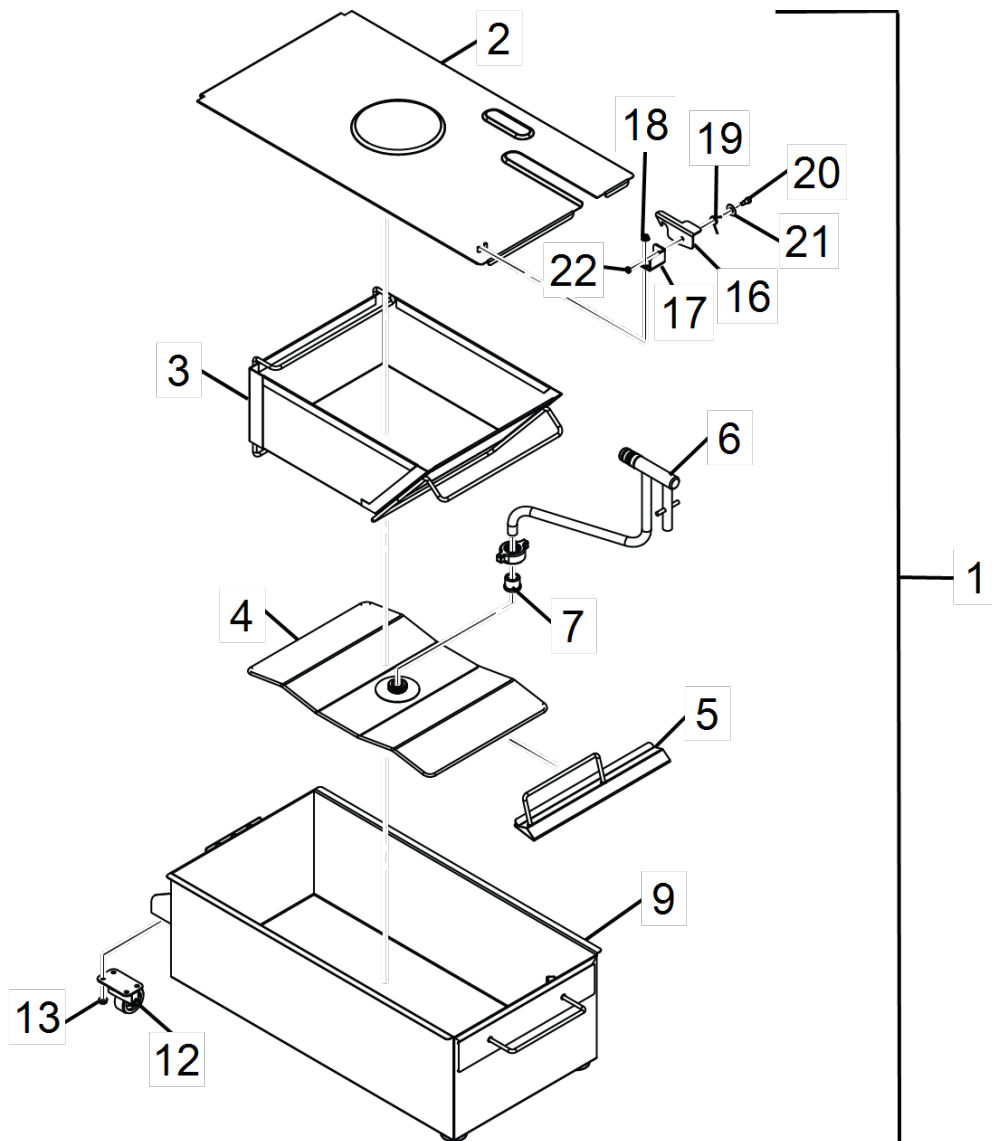
For the most up-to-date parts information, visit
<https://parts.hennypennyhelp.com>.

Item No.	Part No.	Description	Qty.	Stocking Level
1	140777	Heating element, 208VAC, 8.5 KW, kit	2	A
2	16855	O-ring seal for heating element (Min order qty 10)	4	
3	WA01-005	Washer, 5/8 in diameter	4	
4	NS01-017	Hex nut, 5/8-18	4	
5	155167	Element bracket (Mounted on front, left side of element)	1	
6	155168	Element bracket	4	
7	155810	Element bracket	3	
8	SC01-168	1/4-28 x 3/8, hex head, SS screw (Element bracket screw)	8	
9*	140781	High-limit probe kit	1	A
10	140952	Rear element guard kit	1	Order through Clark
Recommended Parts: A = Truck Stock; B = Dist. Stock * = Not Shown				



For the most up-to-date parts information, visit <https://parts.hennypennyhelp.com>.

Filter System



Item No.	Part No.	Description	Qty.	Stocking Level
1	155672	Filter pan assembly complete	1	
2	178776	Filter pan cover	1	



For the most up-to-date parts information, visit
<https://parts.hennypennyhelp.com>.

Item No.	Part No.	Description	Qty.	Stocking Level
3	181671	Crumb catcher	1	
4	150838	Filter screen	1	
5	181669	Filter clip	1	
6	188123	Oil filter pickup tube assembly	1	
7	150315	Oil filter male union fitting	1	
8*	175860	O-ring, qty 12	1	A
9	178764	Filter pan & casters assembly	1	
10*	172898	Filter pan glide kit	1	
11*	172928	Filter pan magnet kit	1	A
12	19004	Filter pan caster, 2 in, swivel	2	
13	NS04-005	Serrated, flanged locknut, 1/4-20 (Filter pan caster nut)	8	
14*	140787	Filter pan magnet sensor kit	1	A
15*	140935	Threaded P&P oil pickup tube & filter screen kit	A/R	
16	84656	Filter pan cover locking latch	1	
17	84655	Latch mounting bracket	1	
18	NS04-004	Serrated, flanged locknut, 10-24 (Latch mounting bracket nut)	2	
19	88576	Latch spring	1	
20	SC06-081	1/4 diameter x 5/16, SS, shoulder bolt (Latch bolt)	1	



For the most up-to-date parts information, visit
<https://parts.hennypennyhelp.com>.

Item No.	Part No.	Description	Qty.	Stocking Level
21	WA01-043	.343 ID x .813 OD, SS, washer (Latch washer)	1	
22	NS03-107	10-32, jam lock, hex nut (Latch nut)	1	
Recommended Parts: A = Truck Stock; B = Dist. Stock * = Not Shown				

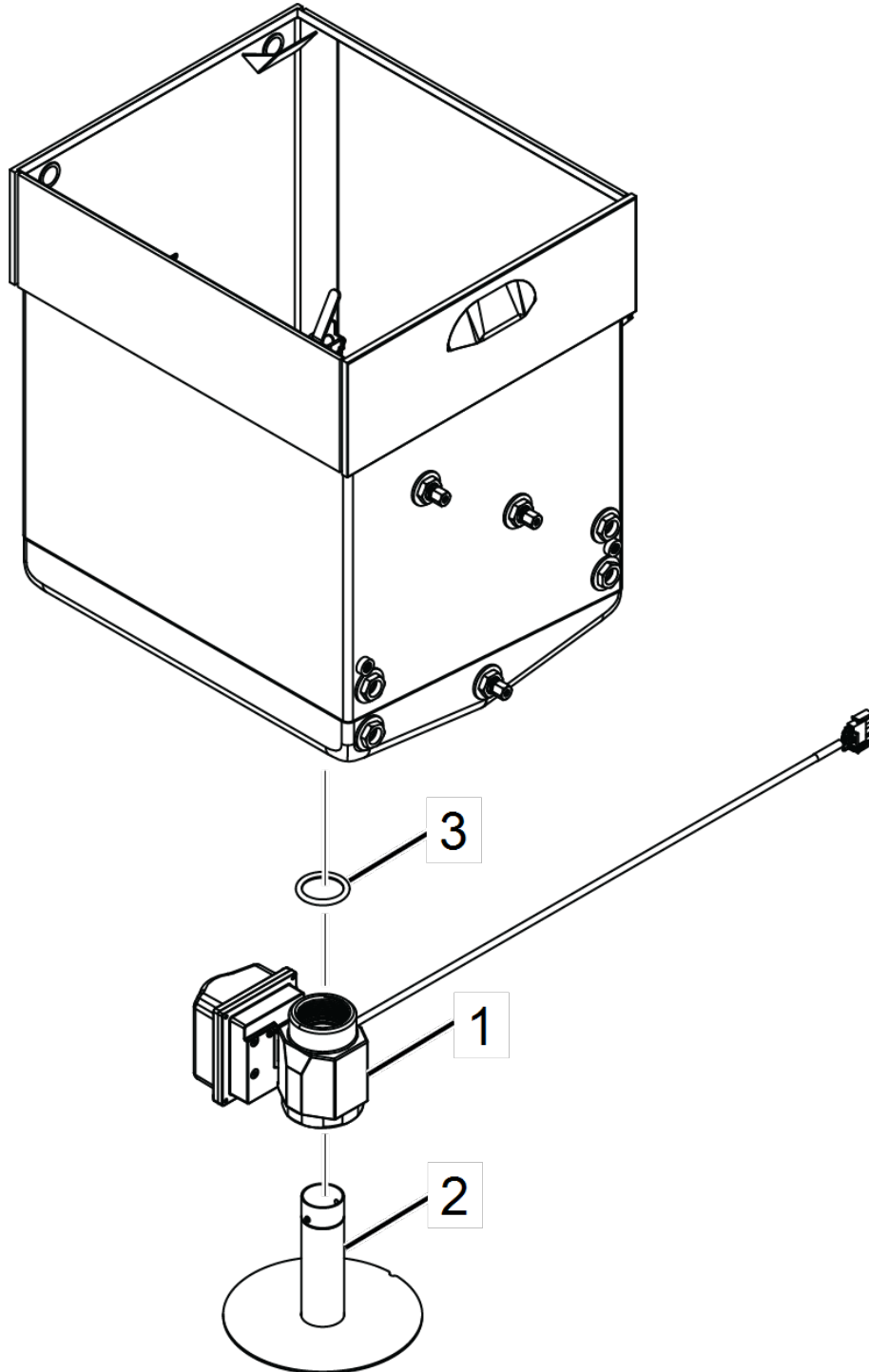


For the most up-to-date parts information, visit
[https://parts.hennypennyhelp.com.](https://parts.hennypennyhelp.com)



For the most up-to-date parts information, visit
<https://parts.hennypennyhelp.com>.

Drain Valves





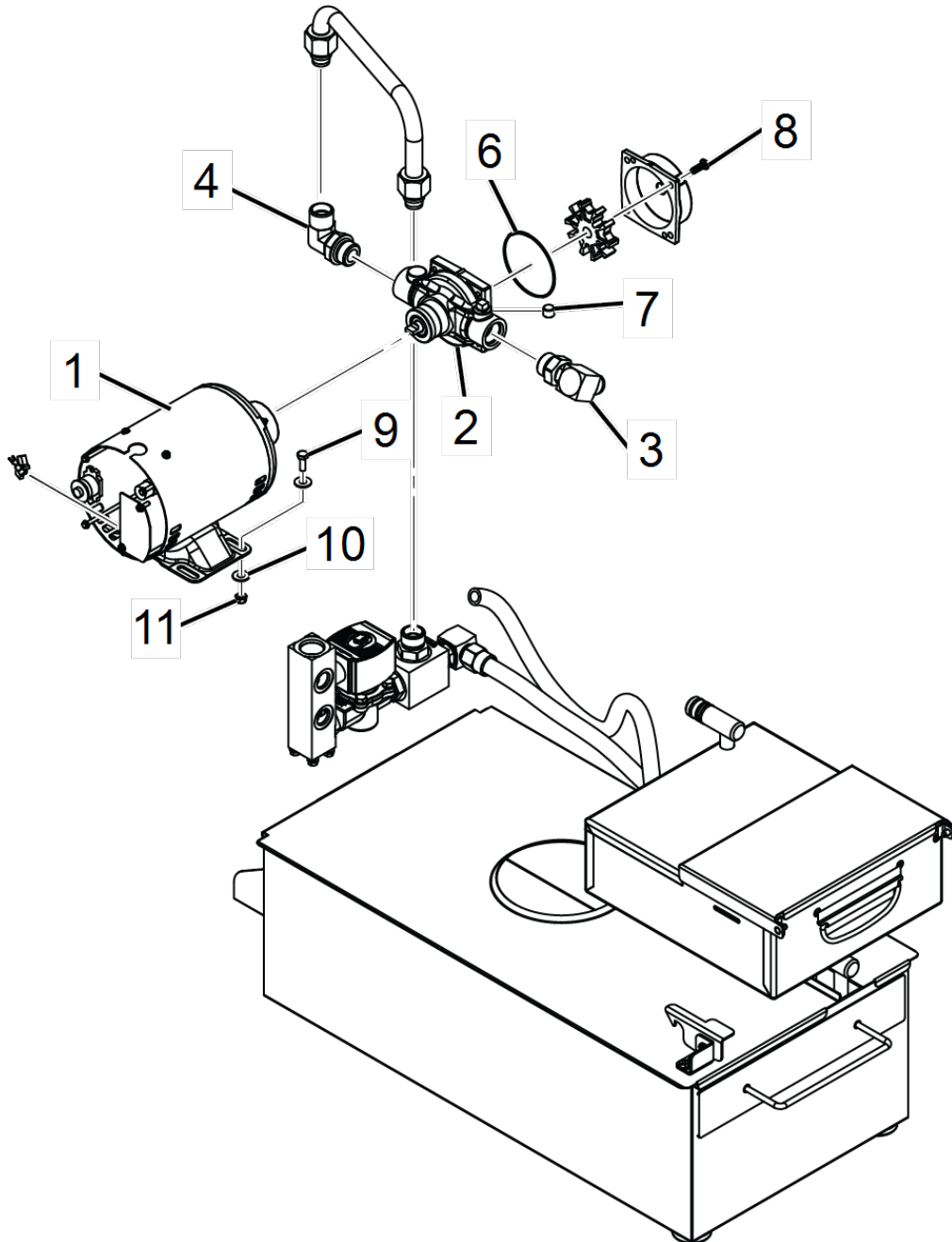
For the most up-to-date parts information, visit
<https://parts.hennypennyhelp.com>.

Item No.	Part No.	Description	Qty.	Stocking Level
1	174408	Drain valve & actuator assembly	1	B
2	182243	Drain valve extension	1	
3	84415	Drain valve o-ring	1	B
Recommended Parts: A = Truck Stock; B = Dist. Stock * = Not Shown				



For the most up-to-date parts information, visit
<https://parts.hennypennyhelp.com>.

Filter Pump & Motor



Item No.	Part No.	Description	Qty	Stocking Level
----------	----------	-------------	-----	----------------



For the most up-to-date parts information, visit
<https://parts.hennypennyhelp.com>.

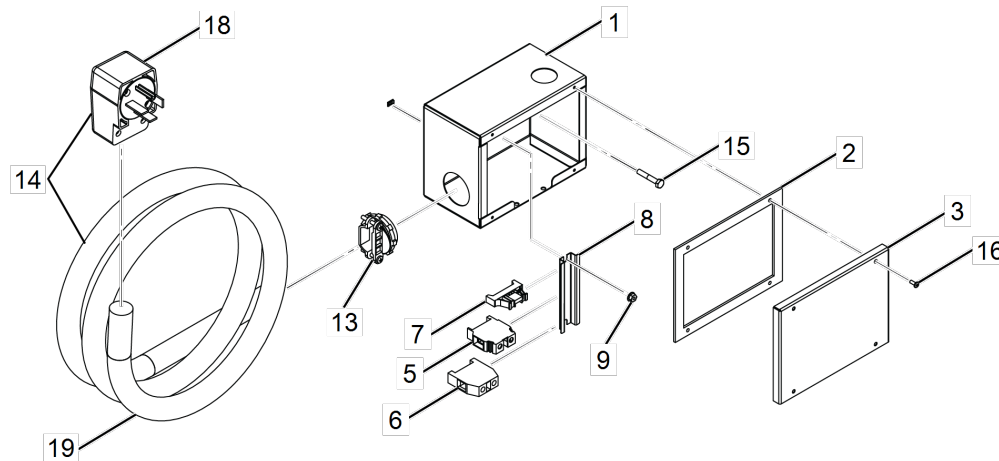
1	164184-001	1/2 HP, 60HZ motor	1	A
2	164185	Filter pump, 8GPM, hub mount	1	A
3	175380	12 SAE x 15/16-16UN, 45° flare, elbow	2	
4	163048	12 SAE x 1-1/16 elbow	1	
5*	FP01-020	1/4 NPT, hex socket plug (Plug for pump)	1	
6	162498	Pump cover o-ring	1	A
7	162501	Pump roller kit (5 pcs.) 8 GPM	1	A
8	SC01-132	Pump cover screw	4	
9	SC01-022	1/4-20 x 3/4 hex head bolt (Motor mounting screw)	4	
10	WA01-002	1/4 washer type A-series (Motor mounting washer)	8	
11	NS02-002	1/4-20, keps nut (Motor mounting nut)	4	
12*	175719-009	Filter motor power cord	1	

Recommended Parts: A = Truck Stock; B = Dist. Stock
*** = Not Shown**



For the most up-to-date parts information, visit
<https://parts.hennypennyhelp.com>.

Junction Box



Item No.	Part No.	Description	Qty	Stocking Level
1	182491	Junction box	1	
2	157690	Junction box seal	1	
3	156441	Junction box cover	1	
4	153168	Terminal block assembly	1	
5	-40764	-16MM terminal block	3	
6	-55144	-16MM ground terminal block	1	
7	-40761	-End stop, din 3	1	
8	-90368	-Din rail	1	
9	NS04-004	Serrated, flanged locknut, 10-24 (Terminal block assembly mounting nut)	2	
10*	EF02-094	1 in, 90° conduit connector	1	
11*	EF02-096	1 in, anti-short	2	



For the most up-to-date parts information, visit
<https://parts.hennypennyhelp.com>.

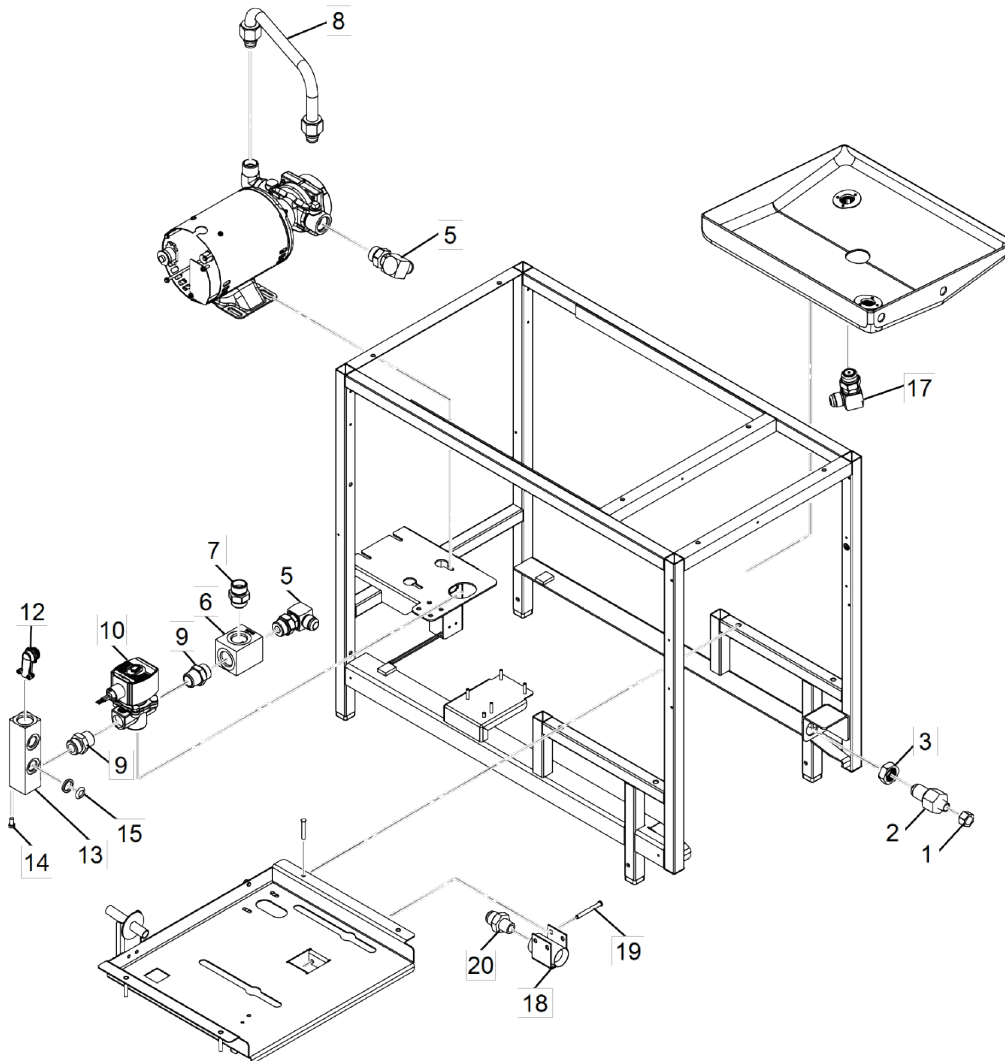
12*	90963-003	1 in x 28 in flex conduit	1	
13	EF02-068	1-1/2 in, round, 2 screw connector	1	
14	65180	Main power cord assembly (Cord & plug assembly)	1	
15	SC01-104	1/4-20 x 1-1/2 hex head bolt (Junction box mounting bolt)	2	
16	SC04-003	#8-32 x 3/8 PH, PHD screw (Junction box cover screw)	4	
17*	41595	Label card (For terminal block labeling)	8	
18	58146	Nema 15-60, 250V angled plug	1	
19	65181	Main power cord only (No plug)	1	

Recommended Parts: A = Truck Stock; B = Dist. Stock
*** = Not Shown**



For the most up-to-date parts information, visit
<https://parts.hennypennyhelp.com>.

Plumbing System



Item No.	Part No.	Description	Qty.	Stocking Level
1	17334	Disconnect, 3/8 in, male	1	A
2	177172	3/8 NPT female to 45° male, adaptor	1	



For the most up-to-date parts information, visit
<https://parts.hennypennyhelp.com>.

Item No.	Part No.	Description	Qty.	Stocking Level
3	164072	Hex nut, 15/16 UNC	1	
4*	163877-240	Braided oil line, 3/4 in (19mm) OD, 24 in (61cm) long	1	
5	175380	12 SAE x 15/16-16UN, 45° flare, elbow	2	
6	174970	3 port, 12 SAE, manifold	1	
7	159823	Straight check valve, 12 SAE x 1-1/16, fitting	1	
8	182220	Pump to manifold tube assembly	1	
9	FP01-281	Straight fitting, 12 SAE x 3/4 NPT	2	
10	183621	Solenoid valve, 208-240V, 3/4 in	1	A
11*	175719-011	Dispose solenoid cord	1	
12	18107	3/8 x 90° conduit connector	1	
13	185136	Vertical, 4 port, manifold	1	
14	SC01-057	1/4-20 x 1/2 hex head screw (4 port manifold screw)	4	
15	159818	Straight fitting, 8 SAE x 15/16	2	
16*	163877-160	Braided oil line, 3/4 in (19MM) OD, 16 in (41cm) long	2	
17	162394	Elbow check valve, 12 SAE x 15/16 fitting	2	B
18	160035	Female plug & play connection	2	



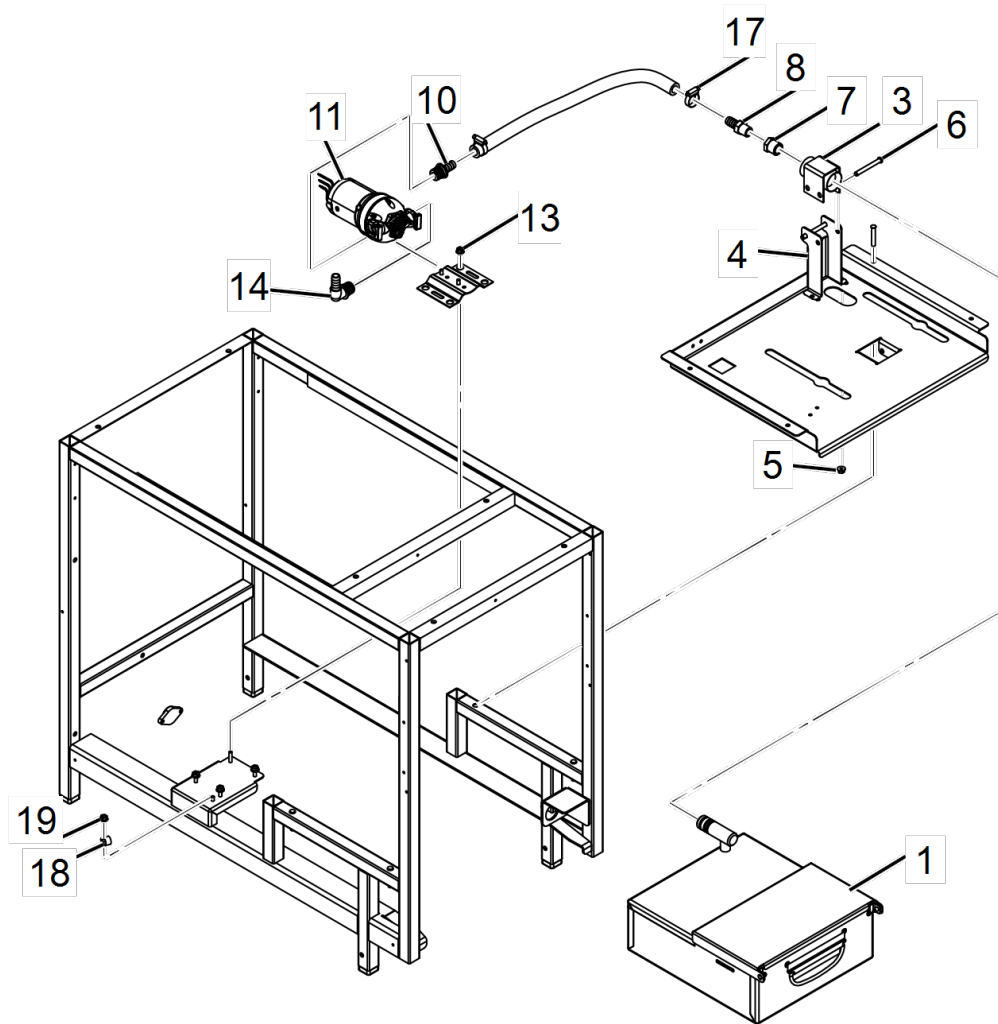
For the most up-to-date parts information, visit
<https://parts.hennypennyhelp.com>.

Item No.	Part No.	Description	Qty.	Stocking Level
19	PN01-035	1/4 x 2 in locking, wedge pin (Female plug & play connection pin)	2	
20	164644	Straight fitting, 1/2 NPT x 15/16-16 UN, 45° flare	1	
21*	163877-300	Braided oil line, 3/4 in (19MM) OD, 30 in (76cm) long	1	
Recommended Parts: A = Truck Stock; B = Dist. Stock * = Not Shown				



For the most up-to-date parts information, visit
<https://parts.hennypennyhelp.com>.

JIB (ATO) System



Item No.	Part No.	Description	Qty.	Stocking Level
1	161316	ATO box & lid assembly (Need to have 175860 o-rings when replacing)	1	
2*	175860	O-ring svc pack, qty 12	1	A



For the most up-to-date parts information, visit
<https://parts.hennypennyhelp.com>.

Item No.	Part No.	Description	Qty.	Stocking Level
3	160035	Female plug and play connection	2	
4	156980	Female plug and play connection bracket	1	
5	NS04-004	Serrated, flanged locknut, 10-24 (Female P&P bracket nut)	3	
6	PN01-035	1/4 x 2 in locking, wedge pin (Female P&P bracket pin)	2	
7	FP01-029	1/2 NPT male x 3/8 NPT female, reducer	2	
8	FP01-228	1/2 x 3/8 NPT, nylon hose barb	1	
9*	89622-007	Silicone hose, 17 inch	1	
10	FP01-392	Straight, snap in, 1/2 in, hose barb	1	
11	161003-002	JIB (ATO) pump	1	A
12*	175719-005	JIB (ATO) pump cord	1	
13	NS04-004	Serrated, flanged locknut, 10-24 (JIB (ATO) mounting nut)	4	
14	FP01-331	90° elbow, snap in, 1/2 in, hose barb	1	
15*	89622-008	Silicone hose, 16 inch	1	
16*	183572	Straight barb, 12 SAE, check valve (On top of 4 port manifold)	1	A
17	MS01-297	.562 x 1.062, SS, hose clamp (1 at each end of silicone hoses)	8	
18	EF02-033	7/16 ID x 3/8 W, wire clamp	1	



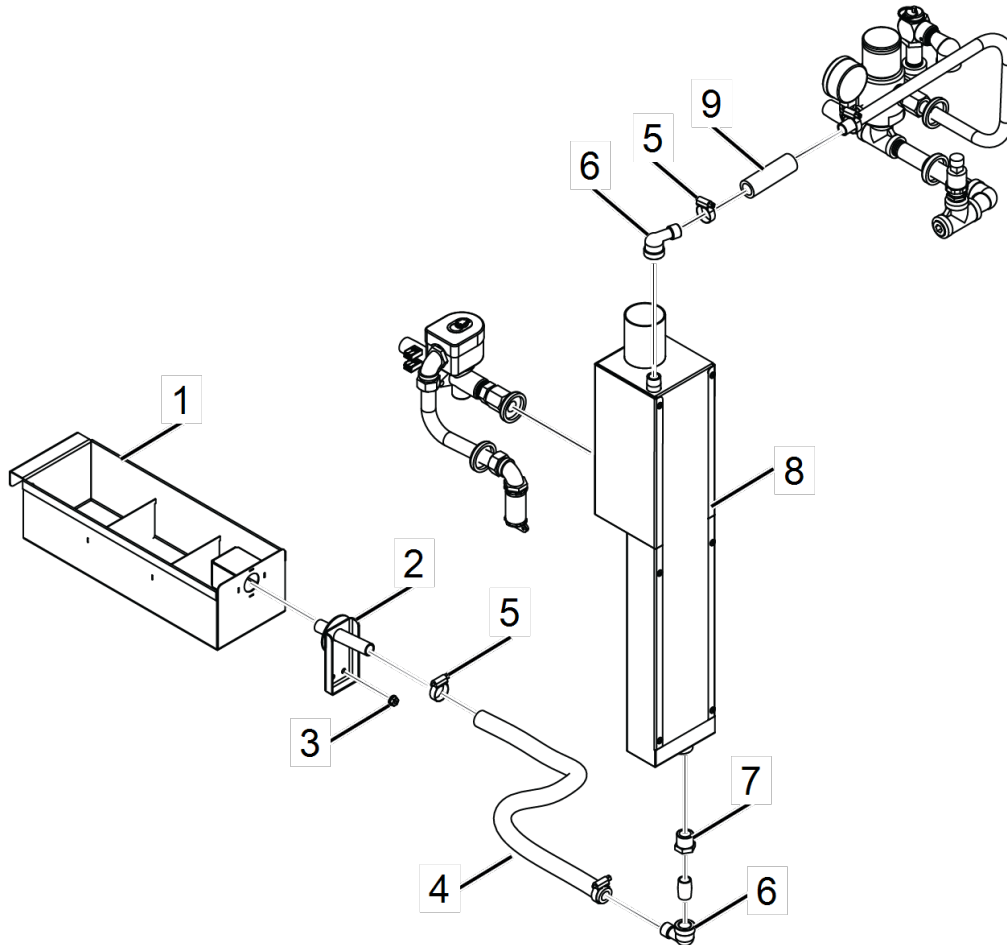
For the most up-to-date parts information, visit
<https://parts.hennypennyhelp.com>.

Item No.	Part No.	Description	Qty.	Stocking Level
19	NS04-004	Serrated, flanged locknut, 10-24 (Clamp nut)	1	
<p>Recommended Parts: A = Truck Stock; B = Dist. Stock * = Not Shown</p>				



For the most up-to-date parts information, visit
<https://parts.hennypennyhelp.com>.

Condensation System



Item No.	Part No.	Description	Qty.	Stocking Level
1	181659	Condensate tank	1	
2	181662	Condensate connection assembly	1	
3	NS04-004	Serrated, flanged locknut, 10-24 (Condensate connection nut)	2	
4	89622-003	Silicone hose, 27.875 inch	1	



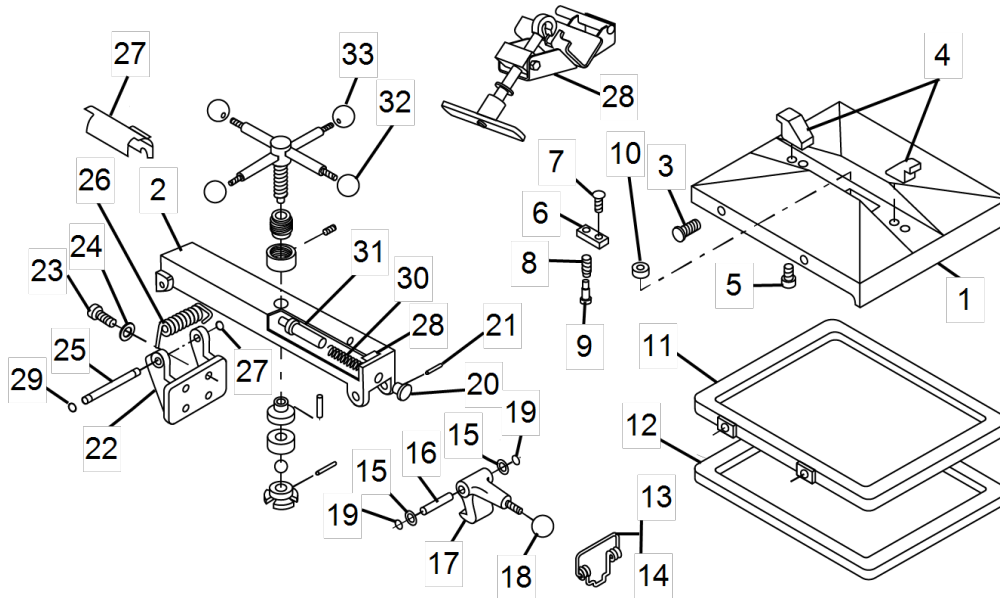
For the most up-to-date parts information, visit
<https://parts.hennypennyhelp.com>.

Item No.	Part No.	Description	Qty.	Stocking Level
5	MS01-297	Hose clamp, .562 x 1.062, SS (1 at each end of 89622-003 hose)	8	
6	FP01-087	3/8 NPT, SS, street elbow	2	
7	FP01-029	1/2 NPT male x 3/8 NPT female, reducer	2	
8	65724	Steam box assembly	1	
9	52124	Condensate flex hose	1	
5	MS01-297	.562 x 1.062, SS, hose clamp (1 at each end of 52124 hose)	8	
Recommended Parts: A = Truck Stock; B = Dist. Stock * = Not Shown				



For the most up-to-date parts information, visit
<https://parts.hennypennyhelp.com>.

Lid & Crossarm Assembly



Item No.	Part No.	Description	Qty.	Stocking Level
1	182530-101	Lid w/ crossarm SVC pack	1	C
2	182528-101	Crossarm SVC pack	1	
3	SC01-083	Lid cover screw	4	
4	16133	Lid retaining hook	2	
5	SC06-027	Retaining hook screw	4	
6	16166	Lid spring & pin retainer	1	
7	SC06-010	Lid spring & pin retainer screw	1	
8	16165	Return spring	1	
9	16164	Locking pin	1	
10	16163	Seat ball	1	



For the most up-to-date parts information, visit
<https://parts.hennypennyhelp.com>.

Item No.	Part No.	Description	Qty.	Stocking Level
11	63729	Lid liner assembly	1	
12	16120	Lid gasket	1	A
13	16199	Latch spring kit	1	A
14	33480	Latch spring	1	A
15	16198	Spacer	2	
16	16197	Latch pin	1	
17	16116	Lid latch	1	
18	16102	Latch knob	1	
*	16126	Latch stud	1	
19	16121	Tru-arc latch ring	2	
20	16137	Retaining pin knob	1	
21	16138	Knob roll pin	1	
22	16112	Lid hinge assembly	1	
23	SC01-081	3/8-24 x 3/4 hex head bolt	4	
24	LW01-010	3/8 split ring lockwasher	4	
25	16110	Lid hinge pin	1	B
26	186381	Lid hinge spring	1	A
27	29587	Spring cover	1	
28	14960	Spring loading tool kit	A/R	
29	16111	Tru-Arc retainer ring	2	
30	16136	Retaining pin spring	1	



For the most up-to-date parts information, visit
<https://parts.hennypennyhelp.com>.

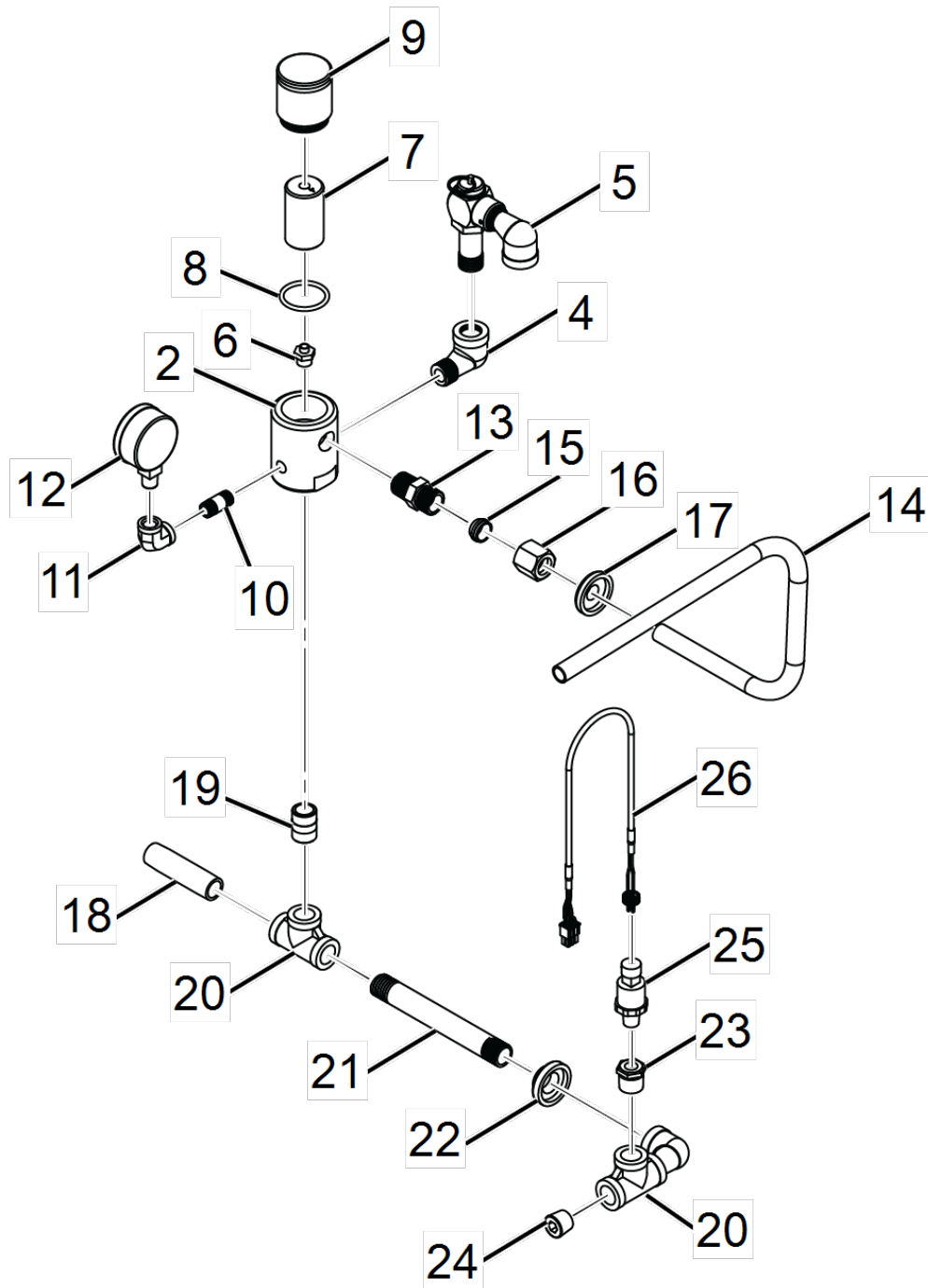
Item No.	Part No.	Description	Qty.	Stocking Level
31	16135	Retaining pin cover	1	
32	16102	Spindle knob (red)	1	
33	16101	Spindle knob (black)	3	
34*	36099	Danger decal	1	
35*	16181	Lid operating instructions label	1	
36*	16156	3/8-24 x 3/8 hex socket screw (Used in crossarm locking collar)	2	

Recommended Parts: A = Truck Stock; B = Dist. Stock
 * = Not Shown



For the most up-to-date parts information, visit
<https://parts.hennypennyhelp.com>.

Deadweight System





For the most up-to-date parts information, visit
<https://parts.hennypennyhelp.com>.

Item No.	Part No.	Description	Qty	Stocking Level
1	16924	Deadweight valve assembly	1	
2	-56305	-Deadweight valve body	1	
3*	-16912	-Deadweight valve decal	1	
4	-FP01-127	-1/2 x 1/2 in, 90° elbow	2	
5	-59742	-Relief valve assembly	1	A
6	-16918	-Deadweight valve orifice, 12 PSI	1	
7	-16903	-Deadweight, 12 PSI	1	C
8	-16902	-Cap o-ring	1	
9	-56307	-Deadweight valve cap	1	
10	56636	1/4 NPT x 1.125 in nipple	1	
11	16909	1/4 in pipe, elbow	1	
12	16910	Pressure gauge (PSI)	1	A
13	19812	1/2 pipe x tube, SS	1	
14	65621	Deadweight valve tube	1	
15	16817	Teflon sleeve fitting	1	
16	16809	Fitting nut	1	
17	16804	Umbrella grommet	3	
18	18816	1/2 x 3 in, SS, pipe nipple	2	
19	35856	1-1/8 in, hospital nipple	1	
20	FP01-011	Pipe tee, 1/2 in NPT, SS	2	
21	FP02-101	1/2 NPT x 6 in, SS, pipe nipple	1	



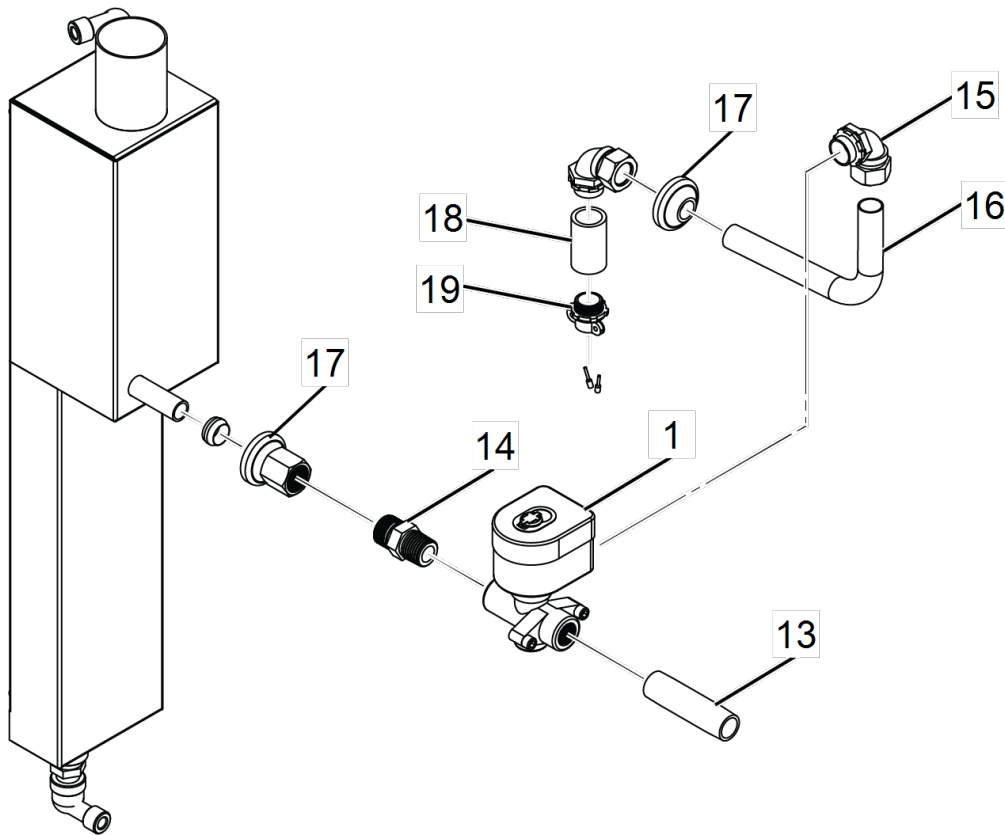
For the most up-to-date parts information, visit
<https://parts.hennypennyhelp.com>.

22	35200	Umbrella grommet	1	
23	FP01-063	1/2 in NPT M x 1/4 in NPT F, reducer	1	
24	FP01-004	1/2 in hex, SS, pipe plug	1	
25	79213	30 PSI pressure transducer	1	A
26	94061-002	Pressure transducer harness	1	
Recommended Parts: A = Truck Stock; B = Dist. Stock * = Not Shown				



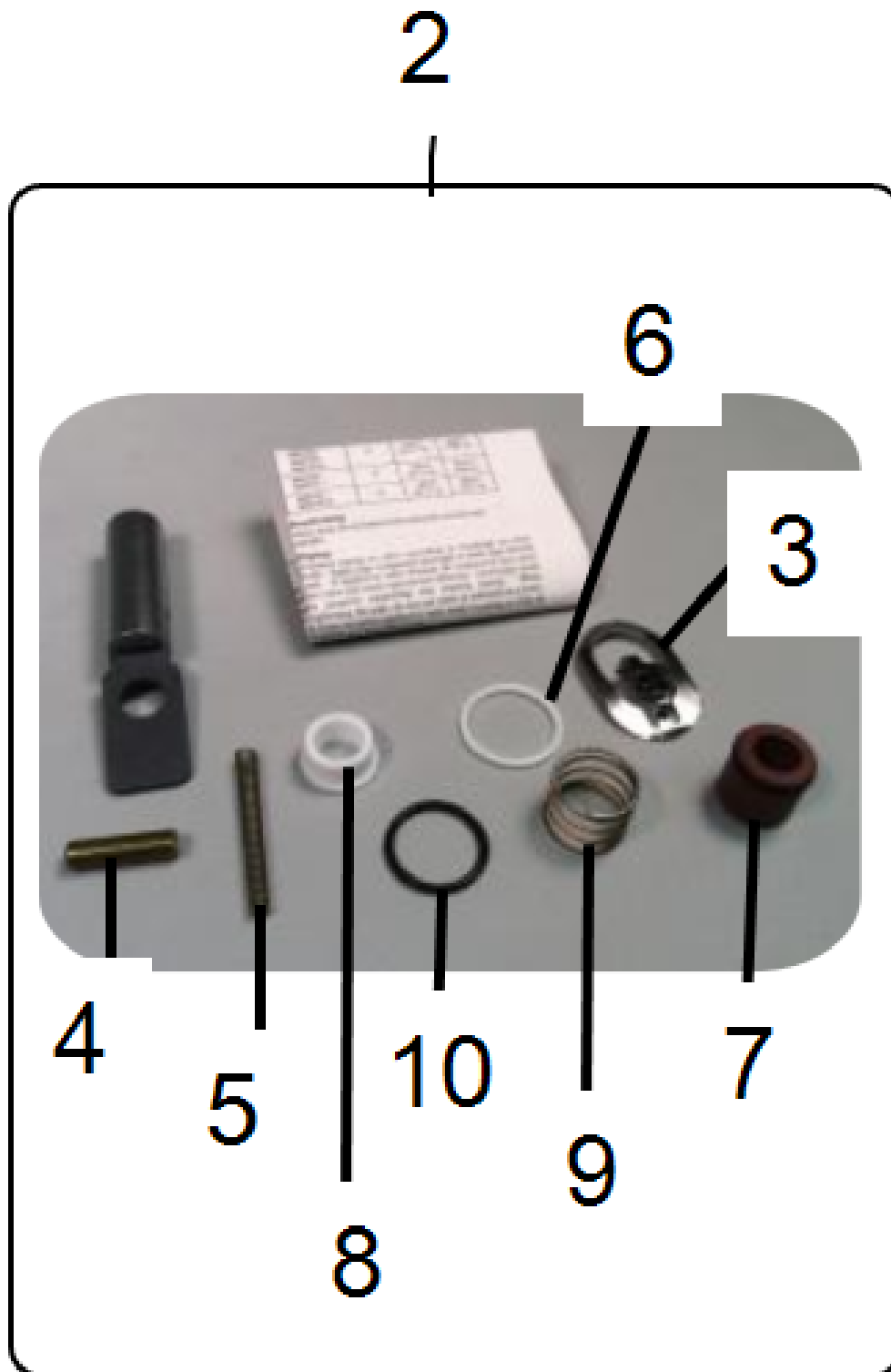
For the most up-to-date parts information, visit
<https://parts.hennypennyhelp.com>.

Pressure Solenoid





For the most up-to-date parts information, visit
<https://parts.hennypennyhelp.com>.





For the most up-to-date parts information, visit
<https://parts.hennypennyhelp.com>.

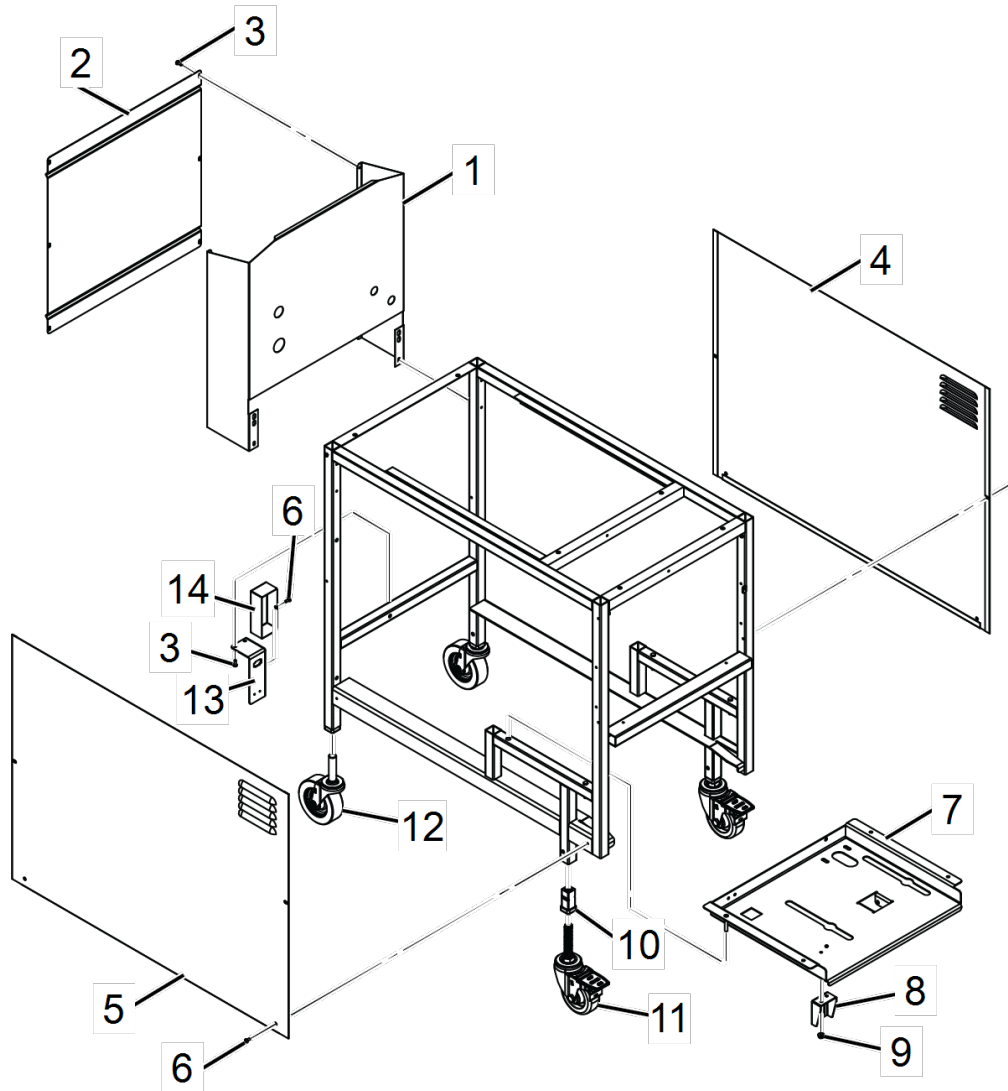
Item No.	Part No.	Description	Qty	Stocking Level
1	18721	Solenoid valve, 208-240VAC, 60HZ	1	A
2	17120	Solenoid valve repair kit	1	A
3	-17101	Retainer clip	1	
4	-17109	Retainer spring	1	
5	-17110	Core spring	1	
6	-17112	Bonnet gasket	1	
7	-17114	Teflon seat	1	
8	-17115	Disc spring guide	1	
9	- 17116	Spring disc	1	
10	-17117	Retainer spring ring	1	
11*	-17122	O-ring seal seat	1	
12*	18706	Coil, 208-240VAC, 60HZ	1	A
13	18816	1/2 x 3 in, SS, pipe nipple	2	
14	16807	Connector fitting male	1	
15	18113	Conduit connector, 90°	2	
16	59218	Solenoid valve tube	1	
17	16804	Umbrella grommet	3	
18	FP01-018	1-1/2 in, STR, pipe, conduit coupling	1	
19	EF02-016	3/8 in. strain relief	1	
20*	175719-010	Pressure solenoid cord	1	

Recommended Parts: A = Truck Stock; B = Dist. Stock
*** = Not Shown**



For the most up-to-date parts information, visit <https://parts.hennypennyhelp.com>.

Chassis Exterior



Item No.	Part No.	Description	Qty	Stocking Level
1	161439	Rear shroud	1	
2	24534	Rear shroud cover	1	



For the most up-to-date parts information, visit
<https://parts.hennypennyhelp.com>.

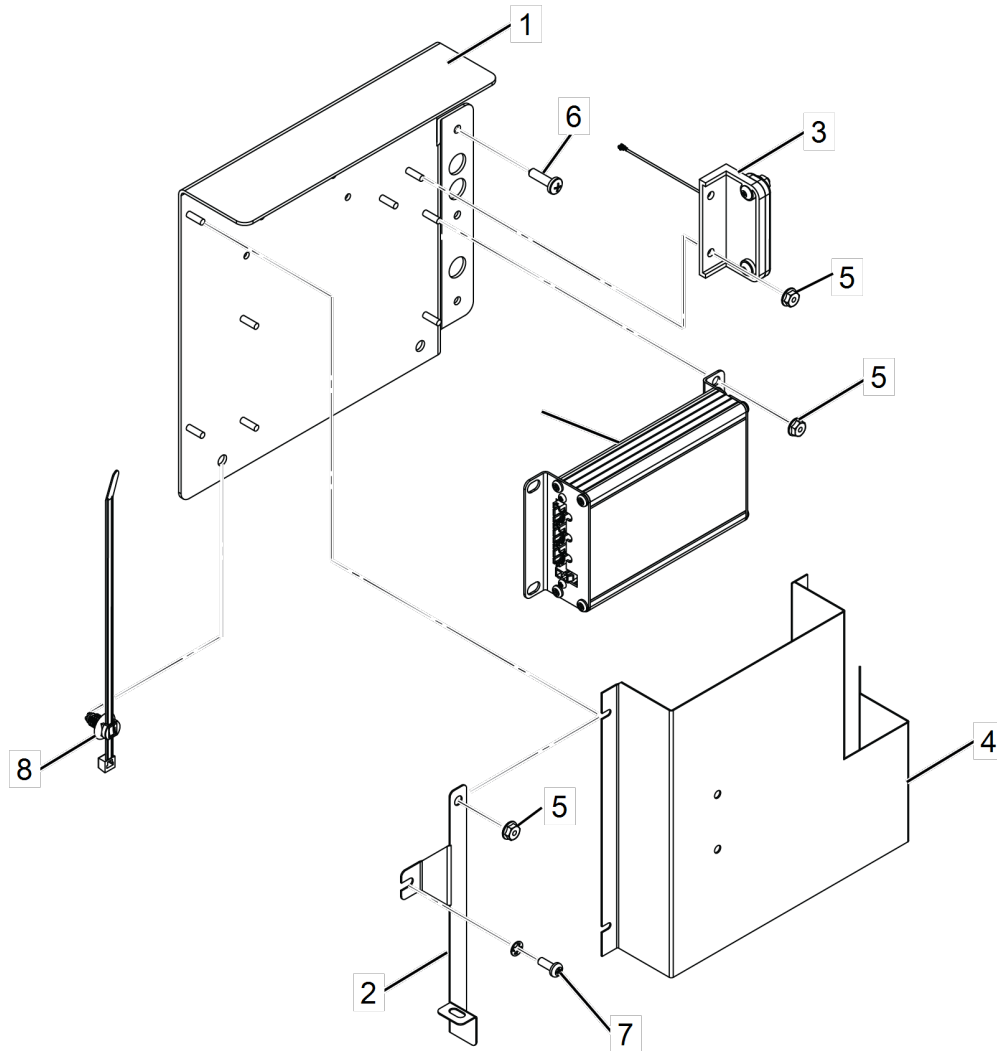
3	SC03-005	Screw, #8 x 1/2 PH, PHD (Rear shroud cover screw)	6	
4	181716	RH side panel	1	
5	181717	LH side panel	1	
6	SC04-003	Screw, #8-32 x 3/8 PH, PHD (Side panel mounting screw)	10	
7	159451	JIB (ATO), Condensate shelf	1	
8	155747	Filter pan latch bracket	1	
9	NS04-004	Locknut - serrated, flanged (Filter pan latch bracket nut)	2	
10	54225	Leg insert	4	
11	90227	3.5 in, rigid caster w/brake & nut (Front casters)	2	C
12	77679	4 in, swivel caster w/o brake (Rear caster)	2	C
13	181896	Filter pan magnet sensor bracket	1	
3	SC03-005	Screw, #8 x 1/2 PH, PHD (Filter pan magnet sensor bracket screw)	2	
14	184433	Filter pan magnet sensor cover	1	
6	SC04-003	Screw, #8-32 x 3/8 PH, PHD (Filter pan magnet sensor cover screw)	1	

Recommended Parts: A = Truck Stock; B = Dist. Stock
*** = Not Shown**



For the most up-to-date parts information, visit <https://parts.hennypennyhelp.com>.

Wi-Fi Parts



Item No.	Part No.	Description	Qty	Stocking Level
1	169705	Wi-Fi assembly mounting plate	1	
2	177301	Stabilizer bracket	1	
3	167372	Wi-Fi assembly	1	



For the most up-to-date parts information, visit
<https://parts.hennypennyhelp.com>.

4	169946	Wi-Fi assembly cover	1	
5	NS04-001	Locknut - serrated, flanged, 6-32 (Nut for all parts in Wi-Fi system)	11	
6	SC03-006	Screw, #10 3/4 PH, PHD, Tek (Wi-Fi assembly mounting plate screw)	2	
7	SC03-005	Screw, #8 x 1/2 PH, PHD screw (Stabilizer bracket mounting screw)	1	
8	162660	6 in. push mount wire tie	2	
Recommended Parts: A = Truck Stock; B = Dist. Stock * = Not Shown				



For the most up-to-date parts information, visit
<https://parts.hennypennyhelp.com>.

Wiring Harnesses

Part No.	Description	Notes
157562-001	Harness-CP1-1, 18 AWG	Line level voltage to reset switch
158267-001	Harness-JMF1, JM2, PVJ1, PVJ2	Control to JIB pump
158268-001	Harness-DV1, DV2	Control to dispose solenoid
183840-001	Harness-Current sensor	
184010-001	Harness-I/O to Relay	
184049-001	Harness-SP1, SP2, 20 AWG	Speaker Harness
184051-001	Harness-24V Power Supply Input	
184061-001	Harness-Wi-Fi V, DCG	
184066-001	Harness-Control to I/O Data	
184068-001	Harness-Control to I/O Power	
184071-001	Harness-Heat Control	
184077-001	Harness-PS1, PS2, PS3, PS4, 20 AWG	Control to main power switch
184078-004	Harness-D1, D2, 20 AWG	Control to drain pan switch
185508-001	Harness-24V Power Supply Output, 20 AWG	
93645-003	Harness-RDV1 thru RDV4, 22 AWG	Control to drain valve
94539-017	Harness-L1-1, L2-1, L3-1, 8 AWG	Terminal block to primary con- tactor
94617-008	Harness-L1-1, L2-1,L3-1, 8AWG	Terminal block to heat contactor
94713-007	Harness-CP1, CP2, 18 AWG	Line level voltage to control



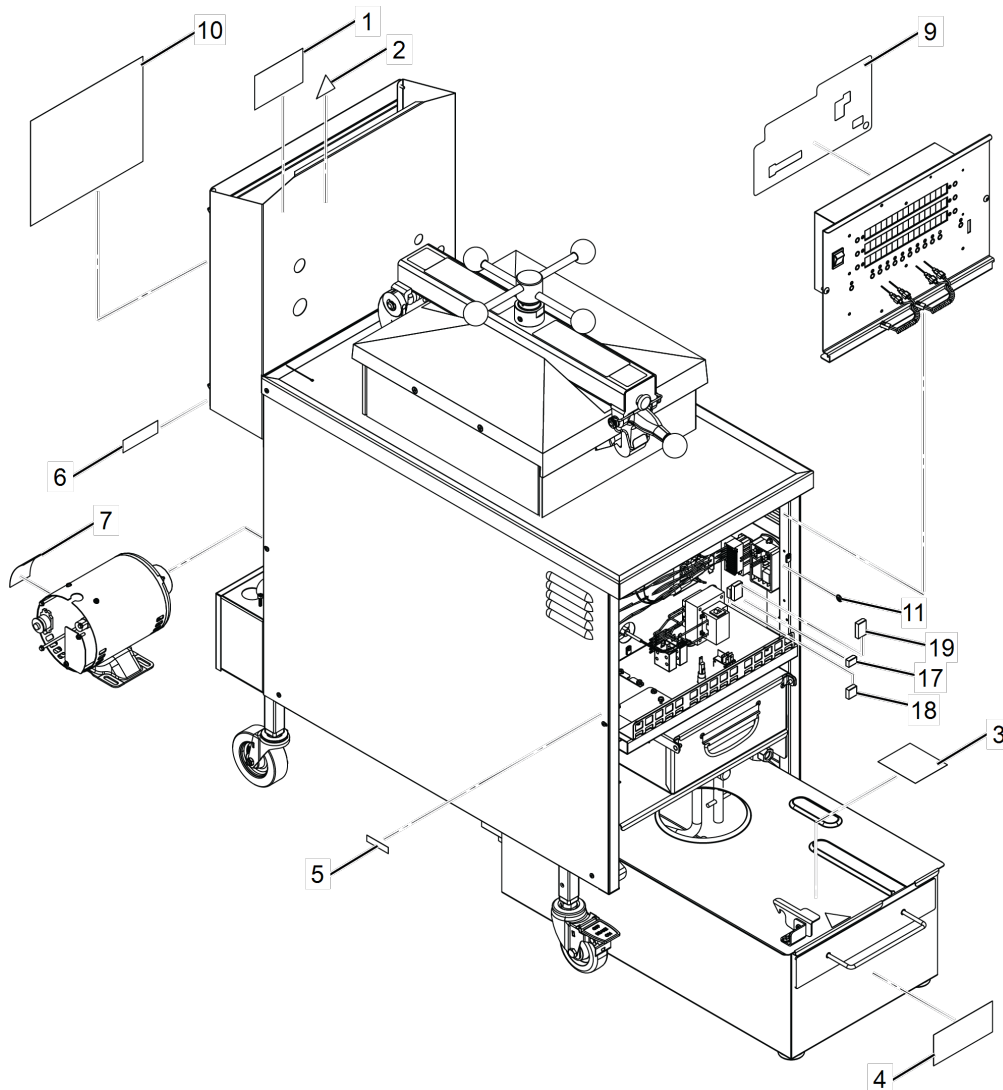
For the most up-to-date parts information, visit
<https://parts.hennypennyhelp.com>.

94720-004	Harness-HLB, HLW, 18 AWG	High limit to circuit breaker and to reset switch
94748-002	Harness-CB1, CB2, 14 AWG	Line level voltage to circuit breakers
94749-002	Harness-CB1-1, CB2-1, 14 AWG	Line level voltage to filter pump relay
95159-001	Harness-L1-2, L2-2, 14 AWG	Primary contactor to circuit breakers
95375-009	Harness-G, 18 AWG (12 inch)	
95375-030	Harness-G, 18 AWG (6 inch)	
95376-010	Harness-G, 8 AWG	Terminal block ground



For the most up-to-date parts information, visit
<https://parts.hennypennyhelp.com>.

Labels, Accessories & Miscellaneous



Item No.	Part No.	Description	Qty	Notes
1	171751	Technical support label, US-Can	1	On back shroud
2	83370-2	Caution hot label	2	On back shroud
3	97388	Small capacity pan label	1	On filter pan lid



For the most up-to-date parts information, visit
<https://parts.hennypennyhelp.com>.

4	33448	Filter pan warning label	1	On front of filter pan
5	188106	CFA asset tag	1	On LH side panel
6	16342	Electric motor label	1	On back shroud cover
7	29816	Pump motor reset warning label	1	On motor
8*	183549	1.5 amp fuse label	1	
9	184358	Control wiring diagram	1	On back of control board
10	184406	Wiring diagram	1	On back shroud cover
11	34492	Ground symbol label	2	On right side frame rail and in junction box
12*	26431	Disconnect power warning label	3	
13*	34917	Oil level warning label	1	
14*	61039	Electrical warning label	1	
15*	75025	Filter notice label	1	
16*	185658	Lever nut, 1 conductor connector	A/R	
17	79635	Lever nut, 2 conductor connector	A/R	
18	79525	Lever nut, 3 conductor connector	A/R	
19	79526	Lever nut, 5 conductor connector	A/R	
20*	140947	Brush accessory kit	A/R	Order through Clark



For the most up-to-date parts information, visit
<https://parts.hennypennyhelp.com>.

21*	-183004	Gong brush, long handle, red	A/R	Order through Clark
22*	-183005	L-tipped brush, red	A/R	Order through Clark
23*	-183006	Straight handle brush, red	A/R	Order through Clark
24*	140948	Ergo handle kit	A/R	Order through Clark
25*	140949	Nugget stir handle kit	A/R	Order through Clark
26*	140951	Basket rest kit	A/R	Order through Clark
27*	140952	Rear element guard kit	A/R	Order through Clark
28*	140954	Tiered basket	A/R	Order through Clark
29*	140955	Nugget basket	A/R	Order through Clark
	12199	Oil test kit	A/R	

Recommended Parts: A = Truck Stock; B = Dist. Stock
*** = Not Shown**