

Commercial Service Parts

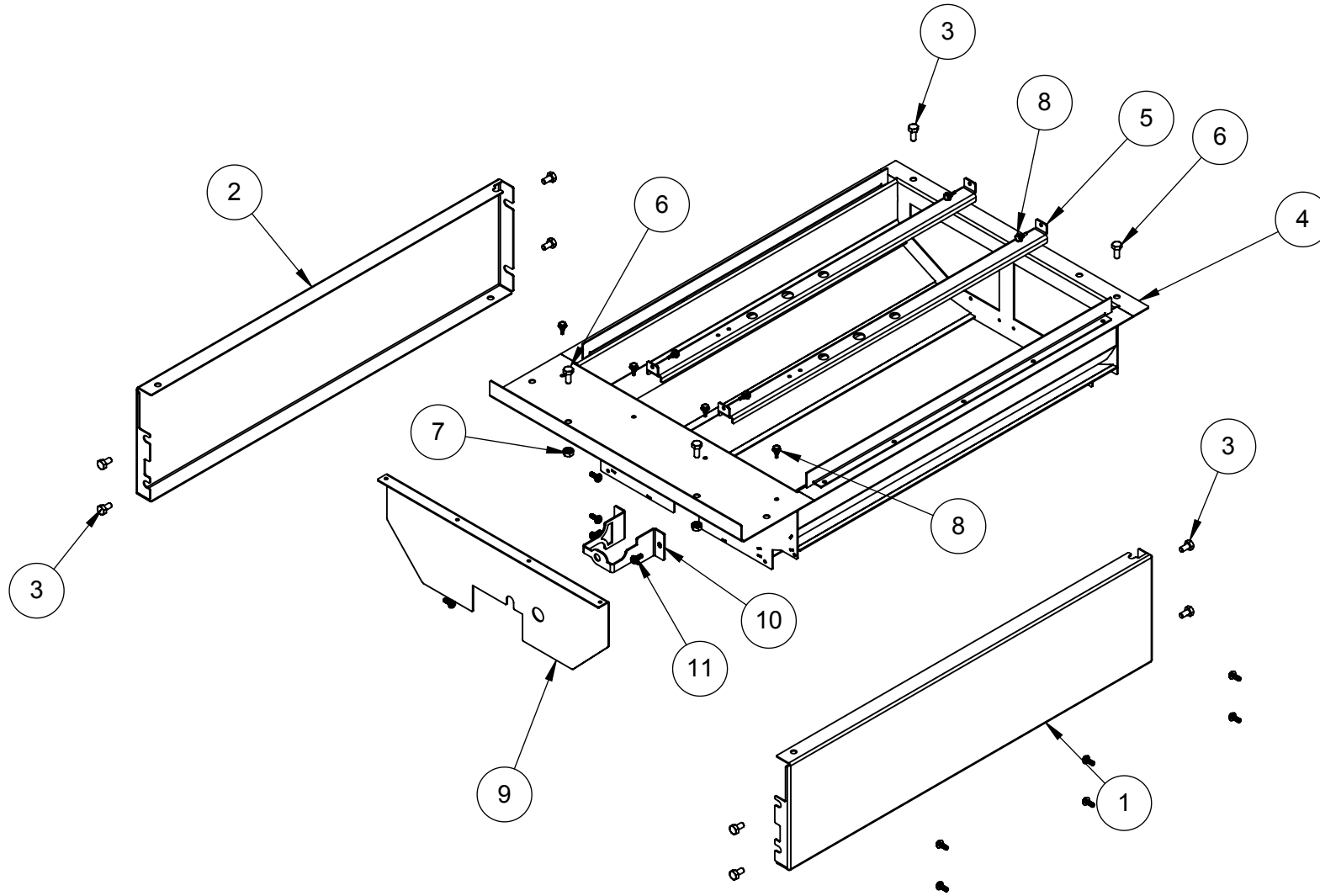
FRENCH TOP (HFT)

Hestan Commercial Corporation
3375 E. La Palma Ave.
Anaheim, CA 92806
(888) 905-7463

RETAIN THIS FOR FUTURE REFERENCE

Revised: June 1, 2023
Rev. E

STRUCTURE



 HESTAN

SERVICE, FRENCH TOP

DESCRIPTION

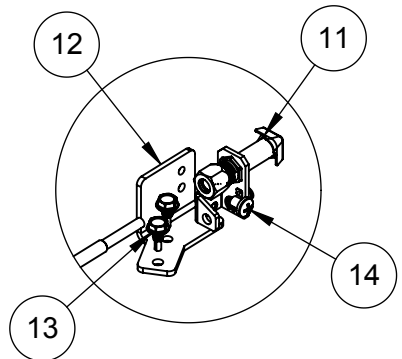
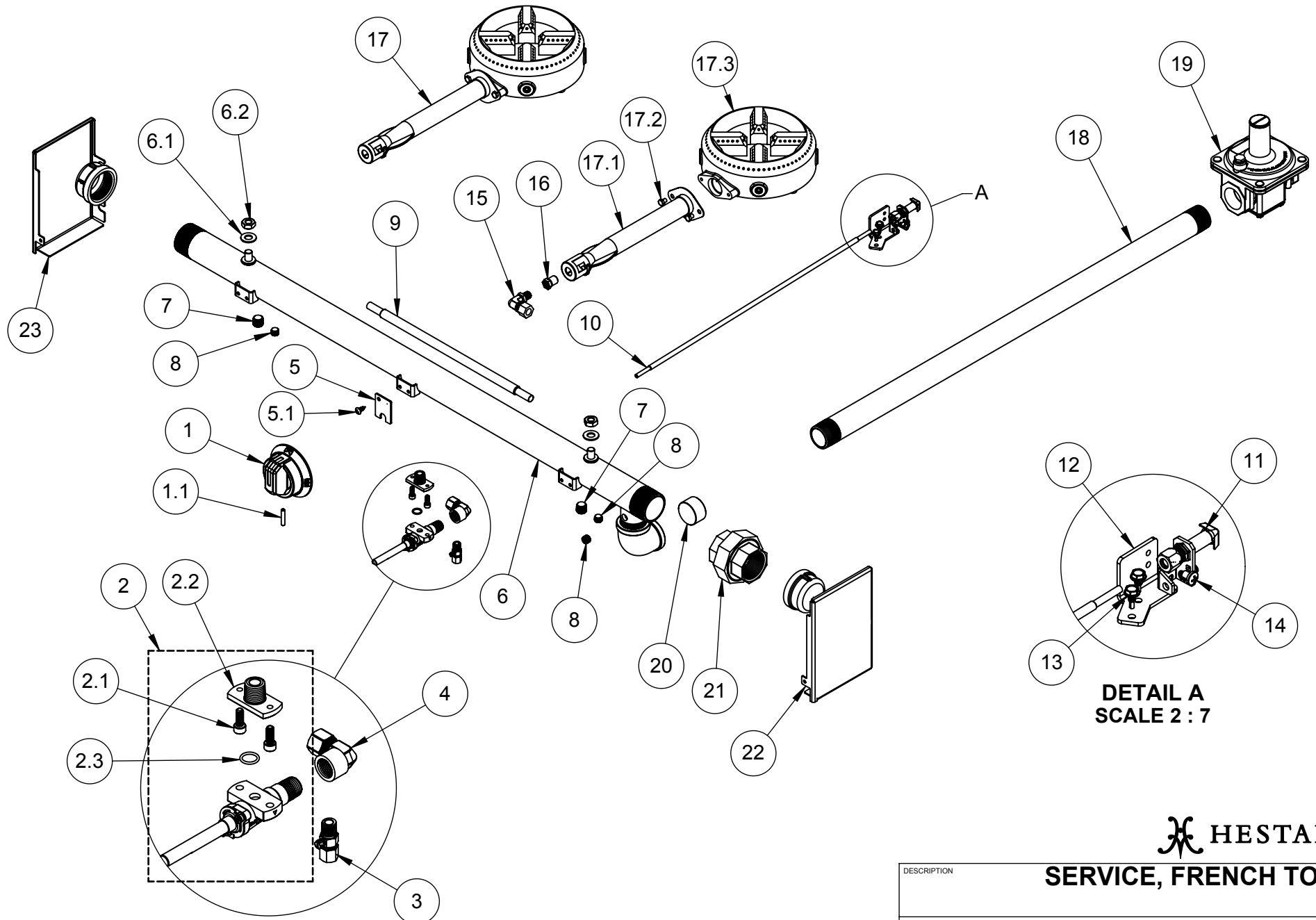
DRAWING NO

HFTXXX-SERVICE

FRENCH TOP - SERVICE PARTS LIST

Item No.	Part No.	DESCRIPTION	HFT18	HFT24	HFT361	HFT362
			QTY	QTY	QTY	QTY
1	000122	PANEL, SIDE, RH, RANGETOP	1	1	1	1
2	000501	PANEL, SIDE, LH, RANGETOP	1	1	1	1
3	013303	SERVICE, HB, 1/4-20 X .50, ZN, PKG 8	1	1	1	1
4	002520	FIREBOX, FRENCH TOP, 18", WA	1	1	1	2
5	000938	HANGER, BURNER, FRENCH TOP	2	2	2	4
6	013389	SERVICE, HB, 1/4-20 X .625, ZN, PKG 8	1	1	1	1
7	012694	SERVICE, NUT, KEPS, 1/4-20, ZN, PKG 3	1	1	1	2
8	012676	SERVICE, SMS, TEK, #10 X 1/2", ZN, PKG 8	1	1	1	2
9	001191	BAFFLE, FRONT, FRENCH TOP, 18	1	1	1	2
10	000932	BULK HEAD BRACKET, FT HT PG	1	1	1	2
11	013390	SERVICE, MS, 10-24 X .500, SL, HEXWAS, SS, PKG 4	1	1	1	1

A1 - FUEL SYSTEM



HESTAN

SERVICE, FRENCH TOP

DESCRIPTION

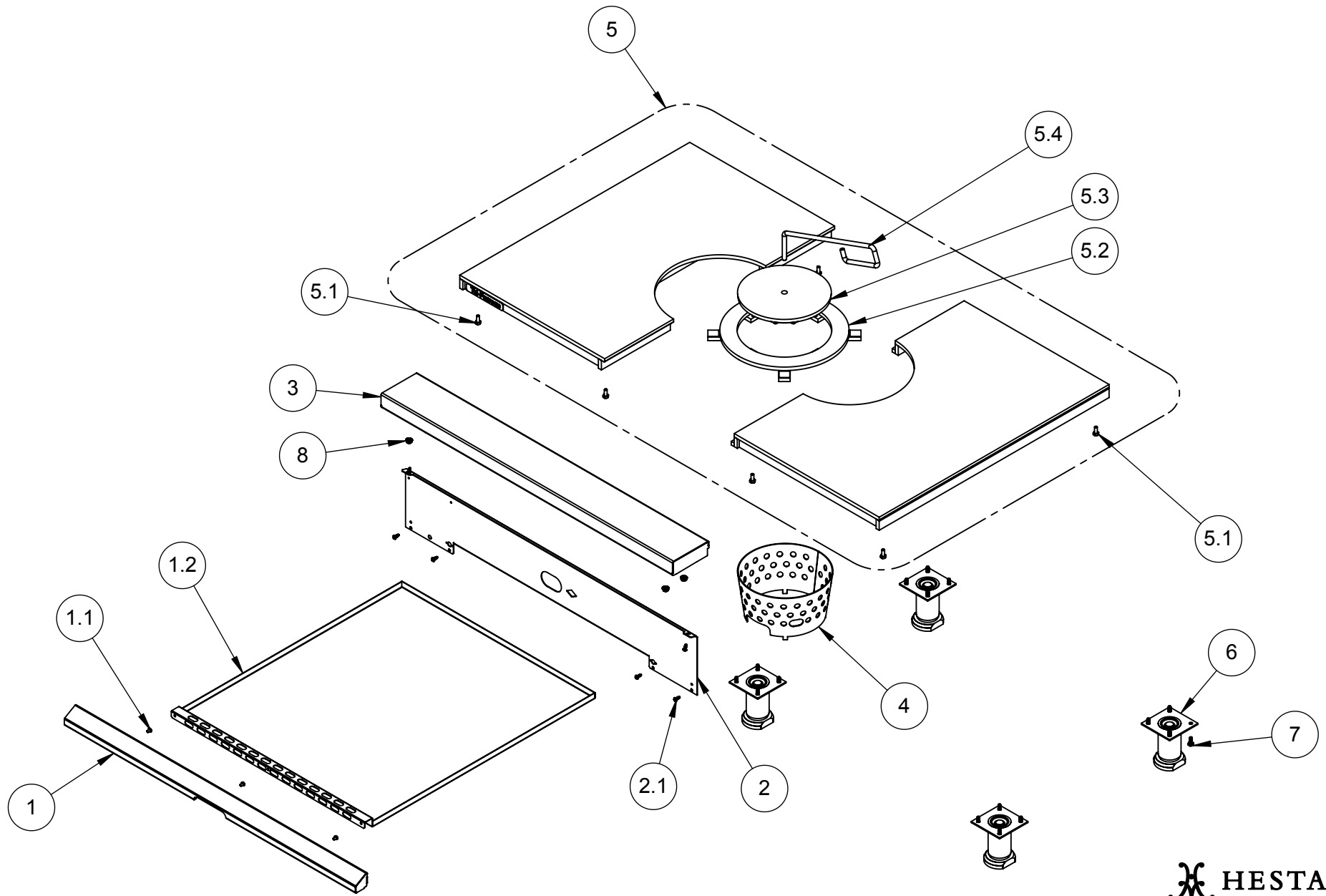
DRAWING NO

HFTXXX-SERVICE

A1 - FUEL SYSTEM - FRENCH TOP

Item No.	Part No.	DESCRIPTION	HFT18	HFT24	HFT361	HFT362
			QTY	QTY	QTY	QTY
1	000130	KNOB ASSY, ON-OFF, 100%	1	1	1	2
1.1	014299	SERVICE, SETSCREW, #10-24 X 1.000, CUP PT, SS, PKG 6	1	1	1	1
2	015662	KIT, VALVE, ON-OFF, FLANGE-MOUNT, A23-F	1	1	1	2
2.1	012750	SERVICE, SHCS, #10-24 X .500, SS, PKG 6	2	2	2	4
2.2	004643	FLANGED NIPPLE, 1/4"NPT	1	1	1	2
2.3	014103	SERVICE, O-RING, FLANGED NIPPLE, PKG 6	1	1	1	1
3	000859	VALVE, PILOT, 1/8NPT X 3/16 COMP, STRAIGHT	1	1	1	2
4	002321	ELBOW, ADAPTER, 1/4 NPT FEMALE X 3/8 CC	1	1	1	2
5	001413	BRACKET, VALVE ANTI-ROTATION	1	1	1	2
5.1	012689	SERVICE, SMS, #10 X .5, PH, PAN, PKG 3	1	1	1	1
6	001182	MANIFOLD, FT, PG, HT, 18, WA	1	-	-	-
	001179	MANIFOLD, FT, PG, 24, WA	-	1	-	-
	000714	MANIFOLD, HOT TOP, 36-3, WA	-	-	1	-
	000592	MANIFOLD, FT-HT, 36-2, WA	-	-	-	1
6.1	012679	SERVICE, WSH, FLAT, 3/8 SAE, PKG 4	1	1	1	1
6.2	012681	SERVICE, NUT, 3/8-16 X .25, PKG 4	1	1	1	1
7	001940	PLUG, HEX SOCKET, 1/4 NPT	-	-	2	-
8	000360	PLUG, HEX SOCKET, 1/8 NPT	1	1	3	1
9	005682	HOSE, FLEX, 3/8 OD, 12", F-F, NUT/FERRULE	1	1	1	2
10	005688	HOSE, FLEX, 3/16 OD, 18", F-F, NUT/FERRULE	1	1	1	2
11	001831	PILOT ASSY, RIGHT ANGLE, -5CL-2 (78517) (NG)	1	1	1	2
	006035	PILOT ASSY, RIGHT ANGLE, -5CL-2 (LP)	1	1	1	2
12	001612	BRACKET, PILOT ASSY, FRENCH TOP	1	1	1	2
13	012676	SERVICE, SMS, TEK, #10 X 1/2", ZN, PKG 8	1	1	1	1
14	013391	SERVICE, MS, 10-32 X .25, PH, PAN, SS, PKG 4	1	1	1	1
15	000917	HOLDER, ORIFICE, BULKHEAD, SMALL	1	1	1	2
16	000293-036	ORIFICE, HOOD, #36 (NG)	1	1	1	2
	000293-053	ORIFICE, HOOD, #53 (LP)	1	1	1	2
17	017745	BURNER ASSY, FT-PG, ONE PIECE	1	1	1	2
17.1	000745	VENTURI STAINLESS, 9"	1	1	1	2
17.2	126700	SERVICE, MS, 10-24 X 1/4, HEXHD, SS, PKG 6	1	1	1	1
17.3	015246	BURNER, CAST IRON, SINGLE PIECE	1	1	1	2
18	AHRGC	REAR GAS CONNECTION, 1" NPT	1	1	1	1
19	004163	REGULATOR, STRAIGHT-THRU, 1"NPT, NG	1	1	1	1
	004162	REGULATOR, STRAIGHT-THRU, 1"NPT, LP	1	1	1	1
	004165	REGULATOR, STRAIGHT-THRU, 1-1/4"NPT, NG	1	1	1	1
	004164	REGULATOR, STRAIGHT-THRU, 1-1/4"NPT, LP	1	1	1	1
20	000258	PLUG, SQUARE SOCKET, 1" NPT	1	1	1	1
21	000254	UNION, 1.25" NPT - 5P594	1	1	1	1
22	AHCCR	CAP, MANIFOLD, RIGHT, ASSY	1	1	1	1
23	AHCLL	CAP, MANIFOLD, LEFT, ASSY	1	1	1	1

A2 - ACCESSORIES



 HESTAN

SERVICE, FRENCH TOP

DESCRIPTION

DRAWING NO

HFTXXX-SERVICE

A2 - ACCESSORIES - FRENCH TOP

Item No.	Part No.	DESCRIPTION	HFT18	HFT24	HFT361	HFT362
			QTY	QTY	QTY	QTY
1	000791	ASSY DRIP PAN, 18"	1	-	-	-
	002927	ASSY DRIP PAN, 24"	-	1	-	-
	000373	ASSY, DRIP PAN, 36"	-	-	1	1
1.1	010237	SERVICE, MS, 10-24 X 1/4, HEXHD, SS, PKG 6	1	1	1	1
1.2	000792	PAN, DRIP, 18"	1	-	-	-
	000789	PAN, DRIP, 24"	-	1	-	-
	000134	PAN, DRIP, 36"	-	-	1	1
2	004764	PANEL, CONTROL, FRENCH TOP, 18 - INDICATOR	1	-	-	-
	004235	PANEL, CONTROL, FRENCH TOP, 24 - INDICATOR	-	1	-	-
	004210	PANEL, CONTROL, FRENCH TOP, 36 - INDICATOR	-	-	1	-
	004765	PANEL, CONTROL, FRENCH TOP, 36-2 - INDICATOR	-	-	-	1
2.1	012672	SMS, 10-24 X 1/2, PH, PAN, TYPE, SS, PKG 4	2	2	2	2
3	003660	PLATE SHELF, 18, W/A	1	-	-	-
	003662	PLATE SHELF, 24, W/A	-	1	-	-
	003664	PLATE SHELF, 36, W/A	-	-	1	1
	034423	PLATE SHELF, 6" EXTENDED, WA, 18	1	-	-	-
	034424	PLATE SHELF, 6" EXTENDED, WA, 24	-	1	-	-
	013144	PLATE SHELF, 6" EXTENDED, WA, 30	-	-	1	1
	034427	PLATE SHELF, 8" EXTENDED, WA, 18	1	-	-	-
	034426	PLATE SHELF, 8" EXTENDED, WA, 24	-	1	-	-
034425	PLATE SHELF, 8" EXTENDED, WA, 30	-	-	1	1	
4	000939	CONE, FRENCH TOP	1	1	1	2
5	001589	PLATE, FRENCH TOP, 18", ASSY	1	-	-	2
	002229	PLATE, FRENCH TOP, 24", ASSY	-	1	-	-
	002087	PLATE, FRENCH TOP, 36", ASSY	-	-	1	-
5.1	013389	SERVICE, HB, 1/4-20 X .625, ZN, PKG 8	1	1	1	1
5.2	001590	RING, OUTER, FRENCH TOP, WA	1	1	1	2
5.3	000895	RING, CENTER, FRENCH TOP, 18"	1	1	1	2
5.4	005090	TOOL, RING, REMOVAL, ROD, FRENCH TOP	1	1	1	2
6	000470	ADJUSTABLE LEG, ASSY, 4"	4	4	4	4
7	014191	SERVICE, HB, 1/4-20 X .625, SS, PKG 4	4	4	4	4
8	012685	SERVICE, NUT, LOCK, SERRATED FLANGE, 1/4-20, PKG 4	1	1	1	1