



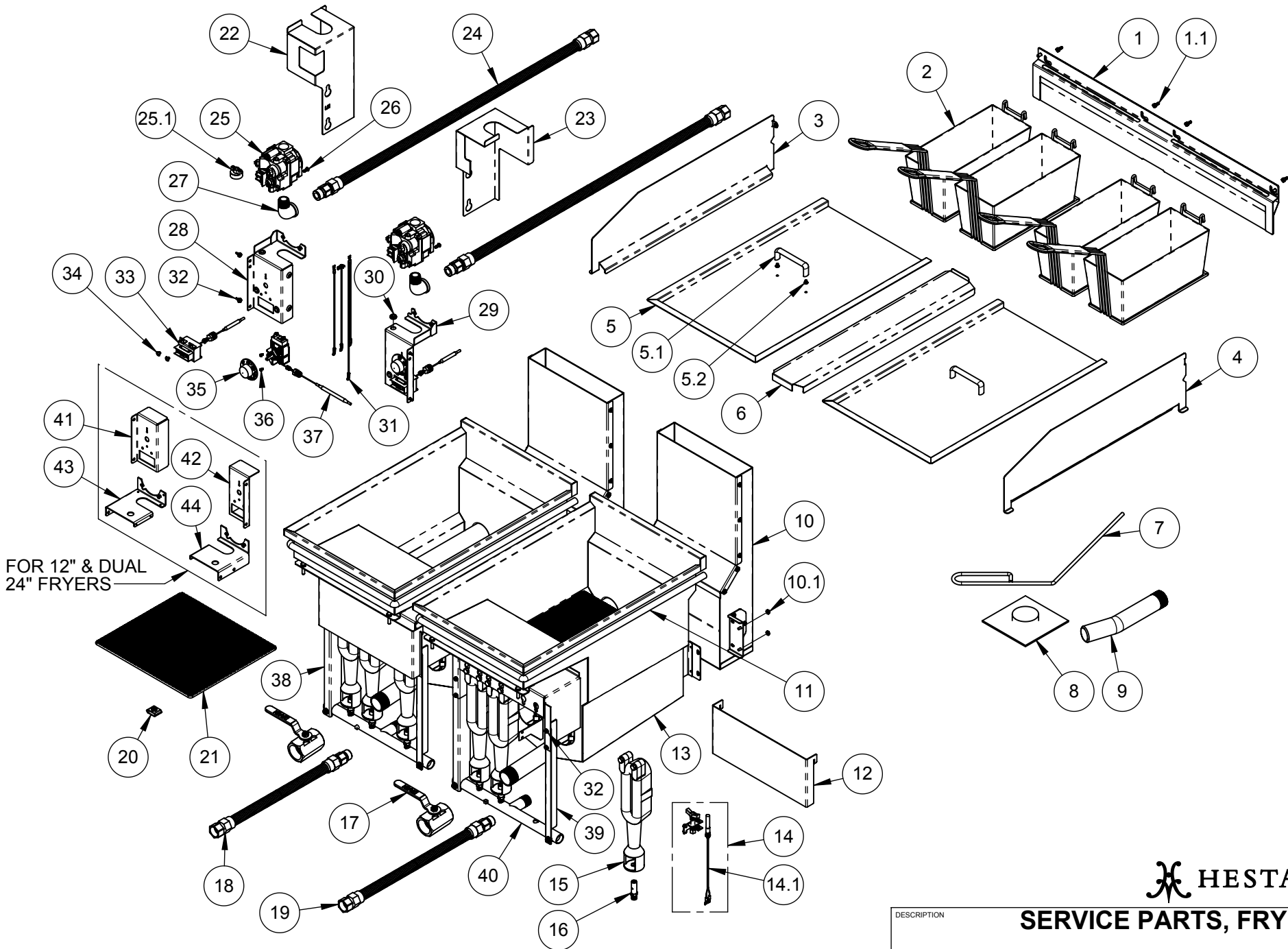
*Commercial Service Parts*

**FRYER (HFR)**

Hestan Commercial Corporation  
3375 E. La Palma Ave.  
Anaheim, CA 92806  
(888) 905-7463

RETAIN THIS FOR FUTURE REFERENCE

Revised: Jan 13, 2021  
Rev. E

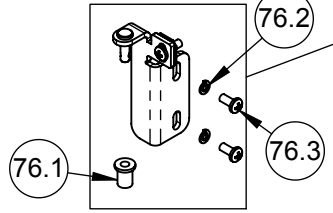
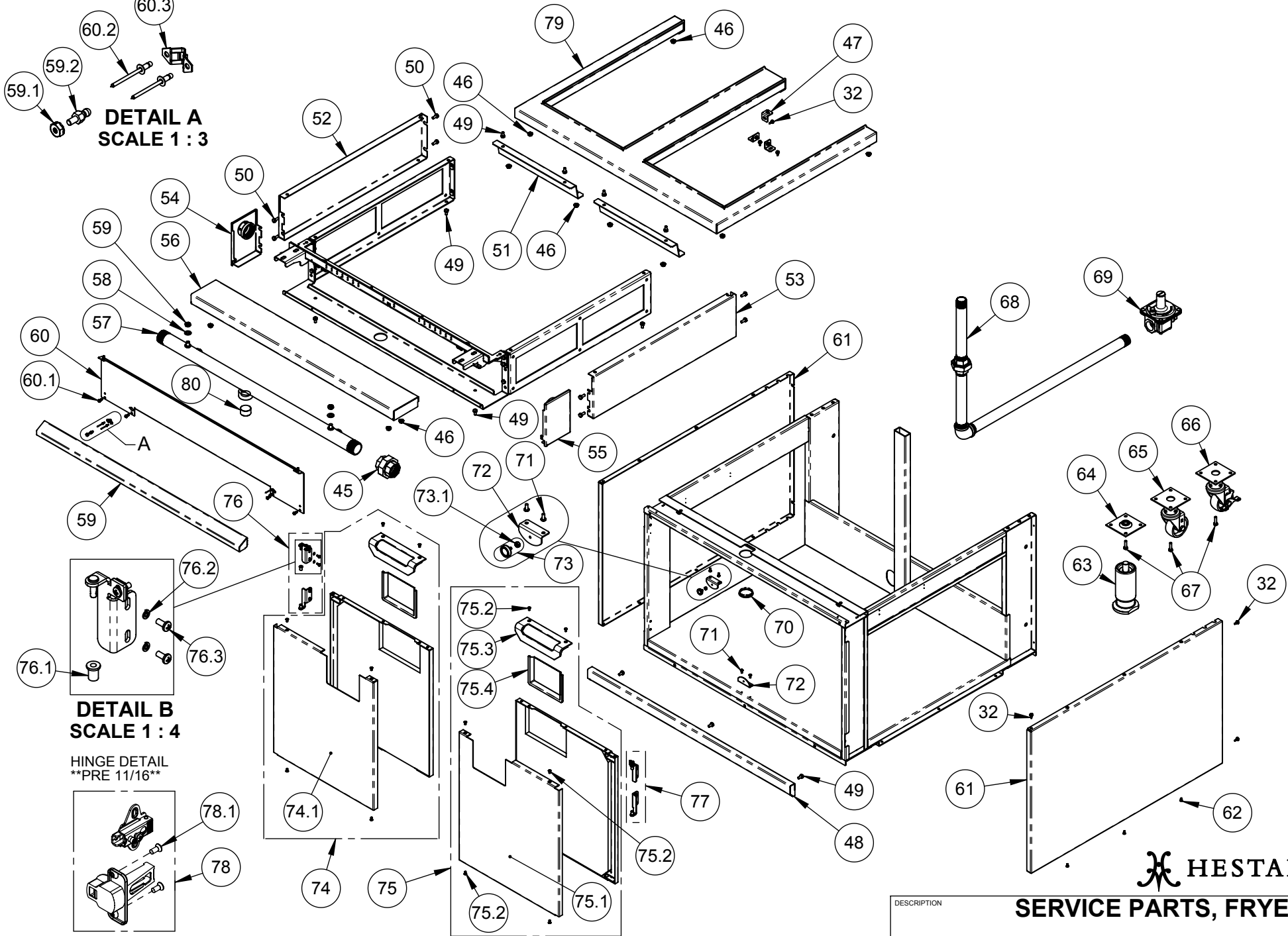
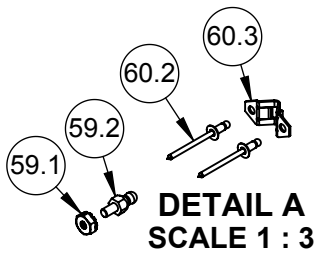


**HESTAN**

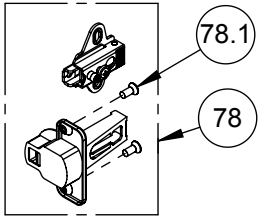
**SERVICE PARTS, FRYER**

DESCRIPTION

DRAWING NO. **HFR-XXXX-SERVICE**



HINGE DETAIL  
\*\*PRE 11/16\*\*



**SERVICE PARTS, FRYER**

DESCRIPTION
DRAWING NO. <b>HFR-XXXX-SERVICE</b>

## FRYER - SERVICE PARTS LIST

Item No.	Part No.	DESCRIPTION	HFRL12	HFRR12	HFRL18	HFRR18	HFRL182	HFRR182	HFRL24	HFRR24	HFRL242	HFRR242	HFRL362
			QTY	QTY	QTY	QTY	QTY	QTY	QTY	QTY	QTY	QTY	QTY
1	009005	BASKET HANGER, FRYER, ASSY, 12	1	1	-	-	-	-	-	-	-	-	-
	004642	BASKET HANGER, FRYER, ASSY, 18	-	-	1	1	1	1	-	-	-	-	-
	004701	BASKET HANGER, FRYER, ASSY, 24	-	-	-	-	-	-	1	1	1	1	-
	004702	BASKET HANGER, FRYER, ASSY, 36	-	-	-	-	-	-	-	-	-	-	1
1.1	014748	SERVICE, THUMB SCREW, KNURLED, #10-24 X 3/8, SS, PKG 4	1	1	1	1	1	1	1	1	1	1	1
2	003832	BASKET, FRYER, SMALL	1	1	2	2	2	2	3	3	2	2	4
3	003356	SIDE SPLASH, FRYER, LEFT	1	1	1	1	1	1	1	1	1	1	1
4	003854	SIDE SPLASH, FRYER, RIGHT	1	1	1	1	1	1	1	1	1	1	1
5	008556	VESSEL COVER, ASSY, 12	1	1	-	-	1	1	-	-	2	2	-
	004639	VESSEL COVER, ASSY, 18	-	-	1	1	-	-	-	-	-	-	2
	004641	VESSEL COVER, ASSY, 24	-	-	-	-	-	-	1	1	-	-	-
5.1	000840	HANDLE, OVAL	1	1	1	1	1	1	1	1	2	2	2
5.2	013391	SERVICE, MS, 10-32 X .25, PH, PAN, SS, PKG 4	1	1	1	1	1	1	1	1	1	1	1
6	016813	COVER, CENTER TRIM, FRYER, SPLIT, 24-2	-	-	-	-	-	-	-	-	1	1	-
	008792	COVER, CENTER TRIM, FRYER, SPLIT	-	-	-	-	1	1	-	-	-	-	-
	003107	JOINER STRIP, FRYER	-	-	-	-	-	-	-	-	-	-	1
7	003831	GOOFER ROD, FRYER	1	1	1	1	2	2	1	1	2	2	2
8	010351	KIT, FRYER PUCK, CLEANER	1	1	1	1	2	2	1	1	2	2	2
9	003838	DRAIN EXTENSION, FRYER	1	1	1	1	2	2	1	1	2	2	2
10	007001	FLUE BOX, ASSY, 12	1	1	-	-	-	-	-	-	2	2	-
	001617	FLUE BOX, ASSY, 18	-	-	1	1	-	-	-	-	-	-	2
	031692	FLUE BOX, ASSY, 18-2	-	-	-	-	2	2	-	-	-	-	-
	001885	FLUE BOX, ASSY, 24	-	-	-	-	-	-	1	1	-	-	-
10.1	014267	SERVICE, NUT, 10-24, ZN, PKG 8	1	1	1	1	1	1	1	1	1	1	1
11	026561	GASKET, SILICONE FOAM CORD, FOOD GRADE, FRYER, 12	1	1	-	-	-	-	-	-	2	2	-
	026557	GASKET, SILICONE FOAM CORD, FOOD GRADE, FRYER, 18	-	-	1	1	-	-	-	-	-	-	2
	031698	GASKET, SILICONE FOAM CORD, FOOD GRADE, FRYER, 18-2	-	-	-	-	2	2	-	-	-	-	-
	026562	GASKET, SILICONE FOAM CORD, FOOD GRADE, FRYER, 24	-	-	-	-	-	-	1	1	-	-	-
12	008986	HEAT DEFLECTOR, FRYER, 12	1	1	-	-	-	-	-	-	2	2	-
	007683	HEAT DEFLECTOR, FRYER, 18	-	-	1	1	-	-	-	-	-	-	2
	008557	HEAT DEFLECTOR, FRYER, 182	-	-	-	-	1	1	-	-	-	-	-
	009206	HEAT DEFLECTOR, FRYER, 24	-	-	-	-	-	-	1	1	-	-	-
13	006922	VESSEL, ENDCAP,WA, 12	1	1	-	-	-	-	-	-	2	2	-
	004613	VESSEL, ENDCAP,WA, 18	-	-	1	1	-	-	-	-	-	-	2
	031690	VESSEL ASSY, 18-2	-	-	-	-	2	2	-	-	-	-	-
	004614	VESSEL, ENDCAP,WA, 24	-	-	-	-	-	-	1	1	-	-	-
14	002986	PILOT-THERMOPILE-TUBE ASSY, NG	-	-	1	1	-	-	1	1	-	-	2
	001304	PILOT-THERMOPILE-TUBE ASSY, LP	-	-	1	1	-	-	1	1	-	-	2
	007506	PILOT-THERMOPILE-TUBE ASSY, Fryer, 12", NG	1	1	-	-	2	2	-	-	2	2	-
	007527	PILOT-THERMOPILE-TUBE ASSY, Fryer, 12", LP	1	1	-	-	2	2	-	-	2	2	-
14.1	003846	THERMOPILE, FRYER, TP75	1	1	1	1	2	2	1	1	2	2	2
15	003837	BURNER, IN-SHOT, FRYER	2	2	3	3	4	4	4	4	4	4	6
16	003836-036	ORIFICE, HOOD, FRYER, #45 (NG)	2	2	-	-	4	4	-	-	4	4	-
	003836-052	ORIFICE, HOOD, FRYER, #55 (LP)	2	2	-	-	4	4	-	-	4	4	-
	003836-045	ORIFICE, HOOD, FRYER, #36 (NG)	-	-	3	3	-	-	4	4	-	-	6
	003836-055	ORIFICE, HOOD, FRYER, #52 (LP)	-	-	3	3	-	-	4	4	-	-	6

Item No.	Part No.	DESCRIPTION	HFRL12	HFRR12	HFRL18	HFRR18	HFRL182	HFRR182	HFRL24	HFRR24	HFRL242	HFRR242	HFRL362
			QTY	QTY	QTY	QTY	QTY	QTY	QTY	QTY	QTY	QTY	QTY
17	003839	VALVE, DRAIN, 1-1/4 NPT, FRYER	1	1	1	1	2	2	1	1	2	2	2
18	004257-016	HOSE, FLEX, 1 OD X 3/4 FIP X 3/4 MIP, 16"	-	-	-	-	-	-	-	-	-	-	1
19	004257-018	HOSE, FLEX, 1 OD X 3/4 FIP X 3/4 MIP, 18"	-	-	1	1	-	-	1	1	-	-	1
	004257-022	HOSE, FLEX, 1 OD X 3/4 FIP X 3/4 MIP, 22"	1	1	-	-	2	2	-	-	2	2	-
20	003841	HOLDER, PROBE, FRYER	1	1	1	1	2	2	1	1	2	2	2
21	003833	CRUMB SCREEN, FINE, FRYER, 18	-	-	1	1	-	-	-	-	-	-	2
	003856	CRUMB SCREEN, REGULAR, FRYER, 24	-	-	-	-	-	-	1	1	-	-	-
	003861	CRUMB SCREEN, FINE MESH, FRYER, 12	1	1	-	-	2	2	-	-	2	2	-
22	026625	COVER, CONTROL-VALVE, LH, FRYER	-	-	-	-	-	-	-	-	-	-	1
	027874	COVER, CONTROL, LH, FRYER, 12"	-	-	-	-	1	1	-	-	1	1	-
23	026611	COVER, CONTROL-VALVE, RH, FRYER	-	-	1	1	-	-	1	1	-	-	1
	027873	COVER, CONTROL, RH, FRYER, 12"	1	1	-	-	1	1	-	-	1	1	-
24	004257-036	HOSE, FLEX, 1 OD X 3/4 FIP X 3/4 MIP, 36"	1	1	1	1	2	2	1	1	2	2	2
25	003850	VALVE, GAS, FRYER, 7000VMR-NG	1	1	1	1	2	2	1	1	2	2	2
	003852	VALVE, GAS, FRYER, 7000VMR-LP	1	1	1	1	2	2	1	1	2	2	2
25.1	023848	SERVICE, KNOB, VALVE, FRYER, ROBERTSHAW 1751-0012	1	1	1	1	1	1	1	1	1	1	1
26	010174	SERVICE, MS, 10-32 X 1/2, PH, PAN, SS, PKG 4	1	1	1	1	1	1	1	1	1	1	1
27	008926	ELBOW, 3/4 MNPT X 3/4 FPT	1	1	1	1	2	2	1	1	2	2	2
28	034190	SERVICE, BRACKET, CONTROL-VALVE, LH, FRYER	-	-	-	-	-	-	-	-	-	-	1
29	034191	SERVICE, BRACKET, CONTROL-VALVE, RH, FRYER	-	-	1	1	-	-	1	1	-	-	1
30	034192	SERVICE, GROMMET, 5/8 OD, 5/16 ID, 1/16 THK PNL, 1/2 PNL HOLE, PKG 5	1	1	1	1	1	1	1	1	1	1	1
31	004640	WIRE SET, FRYER	1	1	1	1	2	2	1	1	2	2	2
32	002523	SERVICE, SMS, TEK, #10 X 1/2", ZN, PKG 8	1	1	1	1	1	1	1	1	1	1	1
33	003849	LIMIT CONTROL, FRYER	1	1	1	1	2	2	1	1	2	2	2
34	034193	SERVICE, MS, 10-24 X .250, PH, TRUSS, SS, PKG 4	1	1	1	1	1	1	1	1	1	1	1
35	003847	KNOB, THERMOSTAT, FRYER	1	1	1	1	2	2	1	1	2	2	2
36	014250	SERVICE, MS, 6-32 X 1/4, PH, PAN, SS, PKG 8	1	1	1	1	1	1	1	1	1	1	1
37	003848	THERMOSTAT FRYER, RX-1-36	1	1	1	1	2	2	1	1	2	2	2
38	001309	BRACKET, MANIFOLD FR, LH	-	-	1	1	-	-	1	1	-	-	2
	006978	BRACKET, MANIFOLD FR, LH, 12	1	1	-	-	2	2	-	-	2	2	-
39	001307	BRACKET, MANIFOLD FR, RH	-	-	1	1	-	-	1	1	-	-	2
	006939	BRACKET, MANIFOLD FR, RH, 12	1	1	-	-	2	2	-	-	2	2	-
40	007130	MANIFOLD, FRYER, 12	1	1	-	-	2	2	-	-	2	2	-
	003835	MANIFOLD, FRYER, 18	-	-	1	1	-	-	-	-	-	-	2
	003858	MANIFOLD, FRYER, 24	-	-	-	-	-	-	1	1	-	-	-
41	004665	BRACKET, CONTROL, LH, FRYER	-	-	-	-	1	1	-	-	1	1	-
42	004664	BRACKET, CONTROL, RH, FRYER	1	1	-	-	1	1	-	-	1	1	-
43	001352	BRACKET, GAS VALVE, LH, FRYER	-	-	-	-	1	1	-	-	1	1	-
44	004663	BRACKET, GAS VALVE, RH, FRYER	1	1	-	-	1	1	-	-	1	1	-
45	000254	UNION, 1.25" NPT, SET	1	1	1	1	1	1	1	1	1	1	1
46	012685	NUT, LOCK, SERR. FLANGE, 1/4-20, ZN, PKG 4	1	1	1	1	1	1	1	1	1	1	1
47	001742	L BRACKET, RECT. TUBE, FRYER	-	-	-	-	3	3	-	-	3	3	3
48	003935	KICK PLATE, CABINET, WA, 12	1	1	-	-	-	-	-	-	-	-	-
	003936	KICK PLATE, CABINET, WA, 18	-	-	1	1	1	1	-	-	-	-	-
	003937	KICK PLATE, CABINET, WA, 24	-	-	-	-	-	-	1	1	1	1	-
	001159	KICK PLATE, CABINET, WA, 36	-	-	-	-	-	-	-	-	-	-	1
49	013303	SERVICE, HB, 1/4-20 X .50, ZN, PKG 8	1	1	1	1	1	1	1	1	1	1	1
50	013389	SERVICE, HB, 1/4-20 X .625, ZN, PKG 8	1	1	1	1	1	1	1	1	1	1	1
51	026637-012	BRACKET, HOLD-DOWN, FEMALE, FRYER, 12	1	1	-	-	-	-	-	-	2	2	-
	026637-018	BRACKET, HOLD-DOWN, FEMALE, FRYER, 18	-	-	1	1	1	1	-	-	-	-	2

Item No.	Part No.	DESCRIPTION	HFRL12	HFRR12	HFRL18	HFRR18	HFRL182	HFRR182	HFRL24	HFRR24	HFRL242	HFRR242	HFRL362	
			QTY	QTY	QTY	QTY	QTY	QTY	QTY	QTY	QTY	QTY	QTY	QTY
	026637-024	BRACKET, HOLD-DOWN, FEMALE, FRYER, 24	-	-	-	-	-	-	1	1	-	-	-	
52	000501	PANEL, SIDE, LH, RANGETOP	1	1	1	1	1	1	1	1	1	1	1	
53	000122	PANEL, SIDE, RH, RANGETOP	1	1	1	1	1	1	1	1	1	1	1	
54	AHCCL	CAP, MANIFOLD, LEFT, ASSY	1	1	1	1	1	1	1	1	1	1	1	
55	AHCCR	CAP, MANIFOLD, RIGHT, ASSY	1	1	1	1	1	1	1	1	1	1	1	
56	003659	PLATE SHELF, 12, W/A	1	1	-	-	-	-	-	-	-	-	-	
	003660	PLATE SHELF, 18, W/A	-	-	1	1	1	1	-	-	-	-	-	
	003662	PLATE SHELF, 24, W/A	-	-	-	-	-	-	1	1	1	1	-	
	003664	PLATE SHELF, 36, W/A	-	-	-	-	-	-	-	-	-	-	1	
	018046	PLATE SHELF, 6" EXTENDED, WA, 12	1	1	-	-	-	-	-	-	-	-	-	
	034423	PLATE SHELF, 6" EXTENDED, WA, 18	-	-	1	1	1	1	-	-	-	-	-	
	034424	PLATE SHELF, 6" EXTENDED, WA, 24	-	-	-	-	-	-	1	1	1	1	-	
	006053	PLATE SHELF, 6" EXTENDED, WA, 36	-	-	-	-	-	-	-	-	-	-	-	1
	034428	PLATE SHELF, 8" EXTENDED, WA, 12	1	1	-	-	-	-	-	-	-	-	-	
	034427	PLATE SHELF, 8" EXTENDED, WA, 18	-	-	1	1	1	1	-	-	-	-	-	
034426	PLATE SHELF, 8" EXTENDED, WA, 24	-	-	-	-	-	-	1	1	1	1	-		
006069	PLATE SHELF, 8" EXTENDED, WA, 36	-	-	-	-	-	-	-	-	-	-	-	1	
57	007102	PIPE, MANIFOLD, FRYER, ASSY, 12	1	1	-	-	-	-	-	-	-	-	-	
	001347	PIPE, MANIFOLD, FRYER, ASSY, 18	-	-	1	1	-	-	-	-	-	-	-	
	008345	PIPE, MANIFOLD, FRYER, ASSY, 182	-	-	-	-	1	1	-	-	-	-	-	
	001348	PIPE, MANIFOLD, FRYER, ASSY, 24	-	-	-	-	-	-	1	1	-	-	-	
	007316	PIPE, MANIFOLD, FRYER, ASSY, 242	-	-	-	-	-	-	-	-	1	1	-	
	001349	PIPE, MANIFOLD, FRYER, ASSY, 36	-	-	-	-	-	-	-	-	-	-	-	1
58	012679	SERVICE, WSH, FLAT, 3/8 SAE (.406 X .812 X .065), ZN, PKG 4	1	1	1	1	1	1	1	1	1	1	1	
59	004762	CHIN, CONTROL PANEL, 12" W/O HANDLE, ASSY	1	1	-	-	-	-	-	-	-	-	-	
	004763	CHIN, CONTROL PANEL, 18" W/O HANDLE, ASSY	-	-	1	1	1	1	-	-	-	-	-	
	005088	CHIN, CONTROL PANEL, 24" W/O HANDLE, ASSY	-	-	-	-	-	-	1	1	1	1	-	
	005093	CHIN, CONTROL PANEL, 36" W/O HANDLE, ASSY	-	-	-	-	-	-	-	-	-	-	-	1
59.1	012681	SERVICE, NUT, 3/8-16 X .25, PKG 4	1	1	1	1	1	1	1	1	1	1	1	
59.2	012752	BALL STUD, MALE, 6-32 UNC, PKG 4	1	1	1	1	1	1	1	1	1	1	1	
60	005079	PANEL, CONTROL, WORK TOP, ASSY, 12	1	1	-	-	-	-	-	-	-	-	-	
	005080	PANEL, CONTROL, WORK TOP, ASSY, 18	-	-	1	1	1	1	-	-	-	-	-	
	005081	PANEL, CONTROL, WORK TOP, ASSY, 24	-	-	-	-	-	-	1	1	1	1	-	
	005083	PANEL, CONTROL, WORK TOP, ASSY, 36	-	-	-	-	-	-	-	-	-	-	-	1
60.1	012672	SMS, 10-24 X 1/2, PH, PAN, TYPE F, SS, PKG 4	1	1	1	1	1	1	1	1	1	1	1	
60.2	012751	POP RIVET, CSINK, 1/8DIA X .275L, SS, PKG 8	1	1	1	1	1	1	1	1	1	1	1	
60.3	012752	RECEPTACLE, BALL STUD, 18LB PULL, PKG 4	1	1	1	1	1	1	1	1	1	1	1	
61	000971-XX	PANEL, SIDE, CABINET **COLOR CODE REQUIRED**	2	2	2	2	2	2	2	2	2	2	2	
62	014260	SERVICE, MS, 10-24 X 3/8, PH, FLT, SS, PKG 8	1	1	1	1	1	1	1	1	1	1	1	
63	000428	ADJUSTABLE LEG, 6"	4	4	4	4	4	4	4	4	4	4	4	
64	000267	PLATE, MOUNTING, LEG	4	4	4	4	4	4	4	4	4	4	4	
65	000486	CASTER, SWIVEL, ADJUSTABLE, 3", W/O BRAKE	2	2	2	2	2	2	2	2	2	2	2	
66	001227	CASTER, SWIVEL, ADJUSTABLE, 3", W/ BRAKE	2	2	2	2	2	2	2	2	2	2	2	
67	013958	SERVICE, HB, 1/4-20 X 1.0, SS, PKG 8	1	1	1	1	1	1	1	1	1	1	1	
68	AHRGCFP	REAR GAS CONNECTION, FRYER-PASTA, 1" NPT	1	1	1	1	1	1	1	1	1	1	1	
69	004163	REGULATOR, STRAIGHT-THRU, 1"NPT, NG	1	1	1	1	1	1	1	1	1	1	1	
	004162	REGULATOR, STRAIGHT-THRU, 1"NPT, LP	1	1	1	1	1	1	1	1	1	1	1	
	004165	REGULATOR, STRAIGHT-THRU, 1-1/4"NPT, NG	1	1	1	1	1	1	1	1	1	1	1	
	004164	REGULATOR, STRAIGHT-THRU, 1-1/4"NPT, LP	1	1	1	1	1	1	1	1	1	1	1	
70	004121	PLUG, ROUND, 1-13/16 DIA, STEEL	1	1	1	1	1	1	2	2	2	2	1	

Item No.	Part No.	DESCRIPTION	HFRL12	HFRR12	HFRL18	HFRR18	HFRL182	HFRR182	HFRL24	HFRR24	HFRL242	HFRR242	HFRL362
			QTY	QTY	QTY	QTY	QTY	QTY	QTY	QTY	QTY	QTY	QTY
71	011857	SERVICE, MS, 8-32 X .375, PH, PAN, SS, PKG 6	1	1	1	1	1	1	1	1	1	1	1
72	003396	BRACKET, MAGNET, DOOR	1	1	1	1	1	1	1	1	1	1	3
73	015371	SERVICE, MAGNET, 3/4 DIA, KIT	1	1	1	1	1	1	1	1	1	1	2
73.1	034195	SERVICE, NUT, NYLOK, #6-32, SS, PKG 4	1	1	1	1	1	1	1	1	1	1	1
74	015368-012-XX*	SERVICE, DOOR, LH, ASSY, 12", VER. 2	1	1	-	-	-	-	-	-	-	-	-
	015368-018-XX*	SERVICE, DOOR, LH, ASSY, 18", VER. 2	-	-	1	1	1	1	-	-	-	-	1
	015368-024-XX*	SERVICE, DOOR, LH, ASSY, 24", VER. 2	-	-	-	-	-	-	1	1	1	1	-
74.1	015335-012-XX*	FRONT PANEL, DOOR, LH, 12"	1	1	-	-	-	-	-	-	-	-	-
	015335-018-XX*	FRONT PANEL, DOOR, LH, 18"	-	-	1	1	1	1	-	-	-	-	1
	015335-024-XX*	FRONT PANEL, DOOR, LH, 24"	-	-	-	-	-	-	1	1	1	1	-
75	015370-012-XX*	SERVICE, DOOR, RH, ASSY, 12", VER. 2	1	1	-	-	-	-	-	-	-	-	-
	015370-018-XX*	SERVICE, DOOR, RH, ASSY, 18", VER. 2	-	-	1	1	1	1	-	-	-	-	1
	015370-024-XX*	SERVICE, DOOR, RH, ASSY, 24", VER. 2	-	-	-	-	-	-	1	1	1	1	-
75.1	015193-012-XX*	FRONT PANEL, DOOR, RH, 12"	1	1	-	-	-	-	-	-	-	-	-
	015193-018-XX*	FRONT PANEL, DOOR, RH, 18"	-	-	1	1	1	1	-	-	-	-	1
	015193-024-XX*	FRONT PANEL, DOOR, RH, 24"	-	-	-	-	-	-	1	1	1	1	-
75.2	015396	SERVICE, MS, 10-24 X 3/8, PH, FLT, SS, POLY PATCH, PKG 4	2	2	2	2	2	2	2	2	2	2	
75.3	002558	HANDLE, CABINET	1	1	1	1	1	1	1	1	1	1	2
75.4	002616	INSERT, RECESSED, HANDLE, ASSY	1	1	1	1	1	1	1	1	1	1	2
76	015350	SERVICE, CABINET HINGE, LH, VER. 2, KIT	1	-	1	-	1	-	1	-	1	-	1
76.1	015352	SERVICE, BEARING, SLEEVE, FLANGED, LUBR., 3/16 X 5/16 X 1/2 LNG, PKG 4	1	1	1	1	1	1	1	1	1	1	1
76.2	015921	SERVICE, WSH, SPLIT LOCK, #8, SS, PKG 6	1	1	1	1	1	1	1	1	1	1	1
76.3	011857	SERVICE, MS, 8-32 X .375, PH, PAN, SS, PKG 6	1	1	1	1	1	1	1	1	1	1	1
77	016231	SERVICE, CABINET HINGE, RH, VER. 2, KIT	-	1	-	1	-	1	-	1	-	1	1
78	015345	SERVICE, CABINET HINGE, VER. 1, KIT **PRE 11/16**	-	1	-	1	-	1	-	1	-	1	1
78.1	011702	SERVICE, MS, 8-32 X .375, PH, FLT, SS, PKG 8	1	1	1	1	1	1	1	1	1	1	1
79	007122	WORKTOP, FRYER, WA, 12	1	1	-	-	-	-	-	-	-	-	-
	001608	WORKTOP, FRYER, WA, 18	-	-	1	1	-	-	-	-	-	-	-
	008327	WORKTOP, FRYER, WA, 182	-	-	-	-	1	1	-	-	-	-	-
	002307	WORKTOP, FRYER, WA, 24	-	-	-	-	-	-	1	1	-	-	-
	007288	WORKTOP, FRYER, WA, 242	-	-	-	-	-	-	-	-	1	1	-
	001605	WORKTOP, FRYER, WA, 36	-	-	-	-	-	-	-	-	-	-	1
80	000258	PLUG, SQUARE SOCKET, 1"	1	1	1	1	1	1	1	1	1	1	1

\*Consult with factory regarding replacements for doors with center-mounted handles (old ver.)