



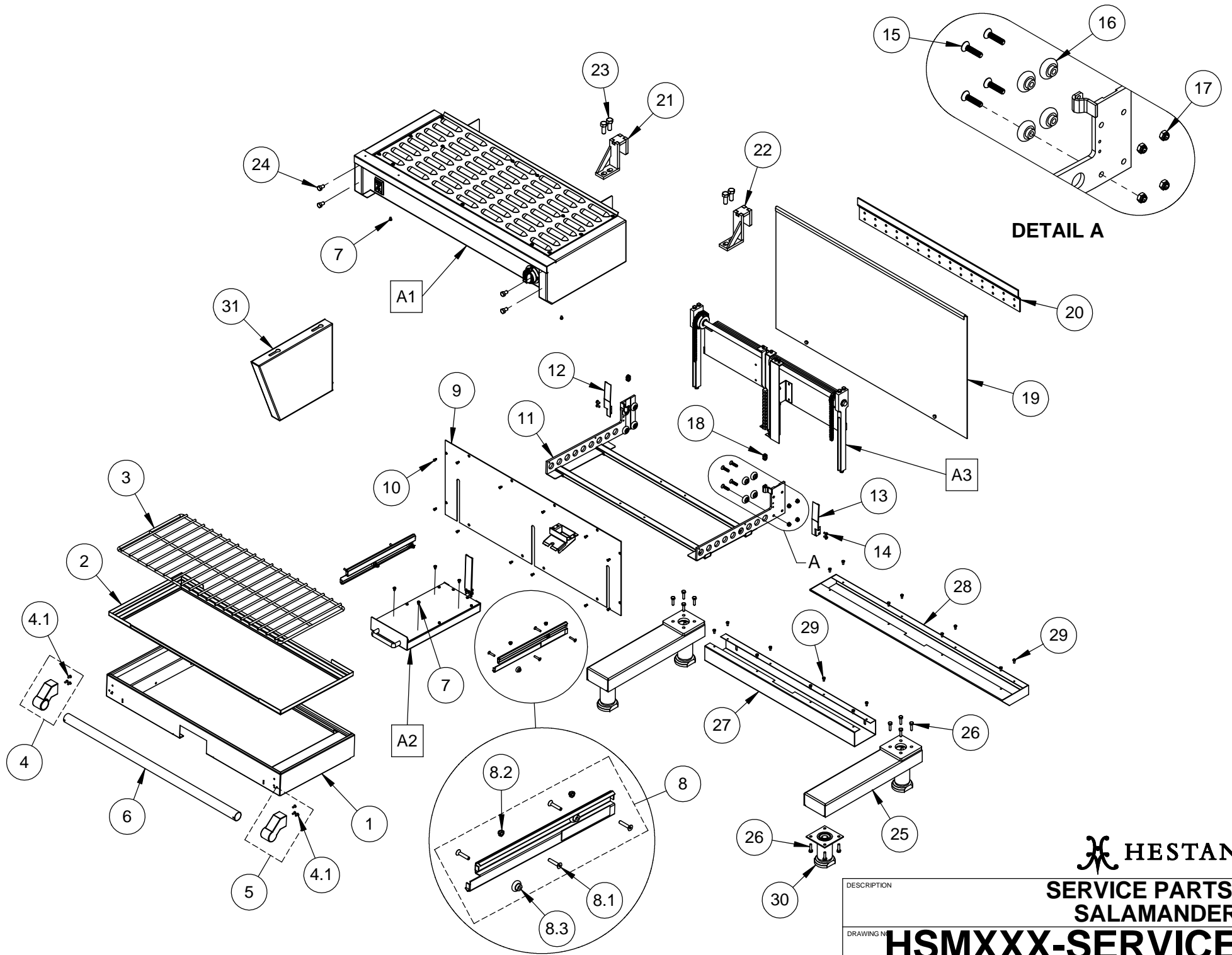
Commercial Service Parts

SALAMANDER (HSM)

Hestan Commercial Corporation
3375 E. La Palma Ave.
Anaheim, CA 92806
(888) 905-7463

RETAIN THIS FOR FUTURE REFERENCE

Revised: May 15, 2020



HESTAN

**SERVICE PARTS,
SALAMANDER**

DESCRIPTION

DRAWING NO.

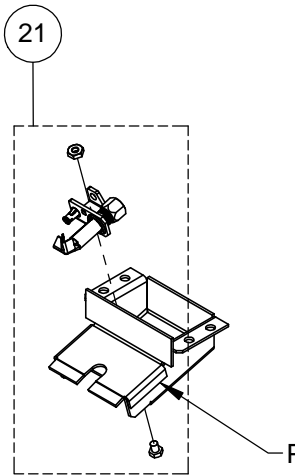
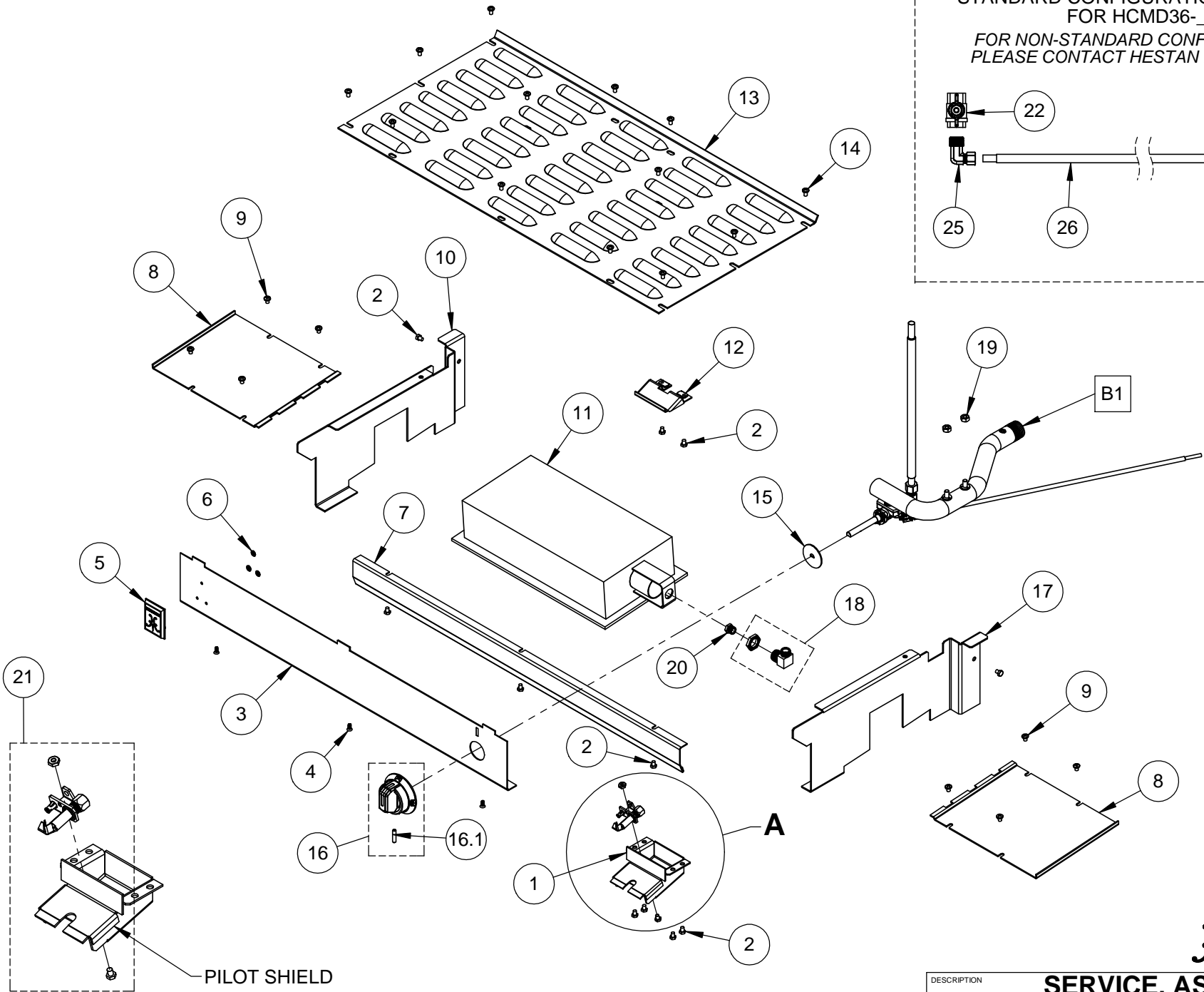
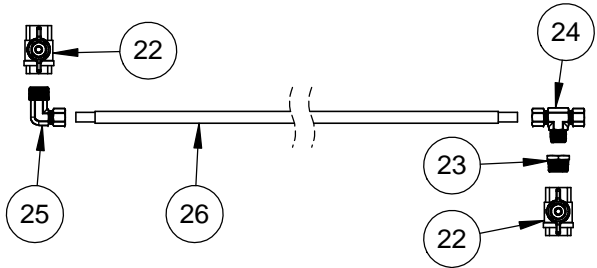
HSMXXX-SERVICE

SALAMANDER - SERVICE PARTS LIST

Item No.	Part No.	DESCRIPTION	HSMC24	HSMR24	HSMW24	HSMC36	HSMR36	HSMW36
			QTY	QTY	QTY	QTY	QTY	QTY
1	012772	WELDMENT, TRAY, SLIDE-OUT, SM, VER. 2, 24"	1	1	1	-	-	-
	011727	WELDMENT, TRAY, SLIDE-OUT, SM, VER. 2, 36"	-	-	-	1	1	1
2	005818	TRAY, DRIP, SM, 24"	1	1	1	-	-	-
	000660	TRAY, DRIP, SM, 36"	-	-	-	1	1	1
3	005819	RACK, SM, 24"	1	1	1	-	-	-
	003002	RACK, SM, 36"	-	-	-	1	1	1
4	013946	SERVICE, ENDCAP, HANDLE, LH, SM, KIT	1	1	1	1	1	1
4.1	011857	SERVICE, MS, 8-32 X .375, PH, PAN, SS, PKG 6	1	1	1	1	1	1
5	013945	SERVICE, ENDCAP, HANDLE, RH, SM, KIT	1	1	1	1	1	1
6	005820	HANDLE, TRAY, SLIDE-OUT, SM, 24"	1	1	1	-	-	-
	000631	HANDLE, TRAY, SLIDE-OUT, SM, 36"	-	-	-	1	1	1
7	010237	SERVICE, MS, 10-24 X 1/4, HEXHD, SS, PKG 6	2	2	2	2	2	2
8	013948	SERVICE, SLIDE, DRAWER, ROLLER, SM, KIT	1	1	1	1	1	1
8.1	013950	SERVICE, MS, 10-24 X .875, SCKT, FLT, SS, PKG 8	1	1	1	1	1	1
8.2	013951	SERVICE, NUT, LCK, EXPANDING, 10-24, SS, PKG 8	1	1	1	1	1	1
8.3	013949	SERVICE, WHEEL, ROLLER, SLIDE, SM, PKG 4	2	2	2	2	2	2
9	012765	PANEL, FRONT, SM, VER. 2, 24"	1	1	1	-	-	-
	011866	PANEL, FRONT, SM, VER. 2, 36"	-	-	-	1	1	1
10	013953	SERVICE, MS, 8-32 X .375, PH, FLT, UC, SS, PKG 12	1	1	1	1	1	1
11	012768	WELDMENT, SUPPORT, TRAY, SM, VER. 2, 24"	1	1	1	-	-	-
	012330	WELDMENT, SUPPORT, TRAY, SM, VER. 2, 36"	-	-	-	1	1	1
12	011967	SHIELD, SLOT, LEFT, SM, VER. 2	1	1	1	1	1	1
13	011943	SHIELD, SLOT, RIGHT, SM, VER. 2	1	1	1	1	1	1
14	013954	SERVICE, MS, 10-24 X 3/8, PH, PAN, SS, PKG 4	1	1	1	1	1	1
15	013956	SERVICE, MS, 1/4-20 X 1.125, SH, FLT, ZN, PKG 8	1	1	1	1	1	1
16	013955	SERVICE, WHEEL, ROLLER, 1.095" OD, PKG 4	2	2	2	2	2	2
17	013957	SERVICE, NUT, LCK, EXPANDING, 1/4-20, SS, PKG 8	1	1	1	1	1	1
18	001398	CONNECTING LINK, ANSI #35 CHAIN	2	2	2	2	2	2
19	012779	WELDMENT, PANEL, BACK, SM/CM, VER. 2, 24"	1	-	-	-	-	-
	011979	WELDMENT, PANEL, BACK, SM/CM, VER. 2, 36"	-	-	-	1	-	-
20	009291	BRACKET, WALL, "Z", SM/CM, FOR 24"	-	-	1	-	-	-
	012006	BRACKET, WALL, "Z", SM/CM, VER. 2, FOR 36"	-	-	-	-	-	1

Item No.	Part No.	DESCRIPTION	HSMC24	HSMR24	HSMW24	HSMC36	HSMR36	HSMW36
			QTY	QTY	QTY	QTY	QTY	QTY
21	003221	HANGER ASSY, LH, SM/CM	-	1	-	-	1	-
22	003220	HANGER ASSY, RH, SM/CM	-	1	-	-	1	-
23	014181	SERVICE, HB, 1/2-13 X 1.25, ZN, PKG 4	-	1	-	-	1	1
24	013960	SERVICE, HB, 3/8-16 X .625, ZN, PKG 4	1	1	1	1	1	1
25	011907	WELDMENT, LEG, HORZ, SM/CM, VER. 2	2	-	-	2	-	-
26	013958	SERVICE, HB, 1/4-20 X 1.0, SS, PKG 8	3	-	-	3	-	-
27	012775	BAR, LOWER, SM/CM, CNTRTOP, VER. 2, 24"	1	-	-	-	-	-
	011977	BAR, LOWER, SM/CM, CNTRTOP, VER. 2, 36"	-	-	-	1	-	-
28	012784	WELDMENT, BAR, LOWER, SM/CM, VER. 2, 24"	-	1	1	-	-	-
	011890	WELDMENT, BAR, LOWER, SM/CM, VER. 2, 36"	-	-	-	-	1	1
29	013959	SERVICE, MS, 10-24 X .375, HEXHD, ZN, PKG 8	1	1	1	1	1	1
30	000470	ADJUSTABLE LEG ASSEMBLY, 4"	4	-	-	4	-	-
31	014323	SERVICE, SIDE, REMOVABLE, SM/CM	X	X	X	X	X	X

STANDARD CONFIGURATION DEPICTED
 FOR HCMD36-___
 FOR NON-STANDARD CONFIGURATIONS
 PLEASE CONTACT HESTAN FOR DETAILS



DETAIL A
 PILOT SHIELD SHOWN
 FOR CLARITY

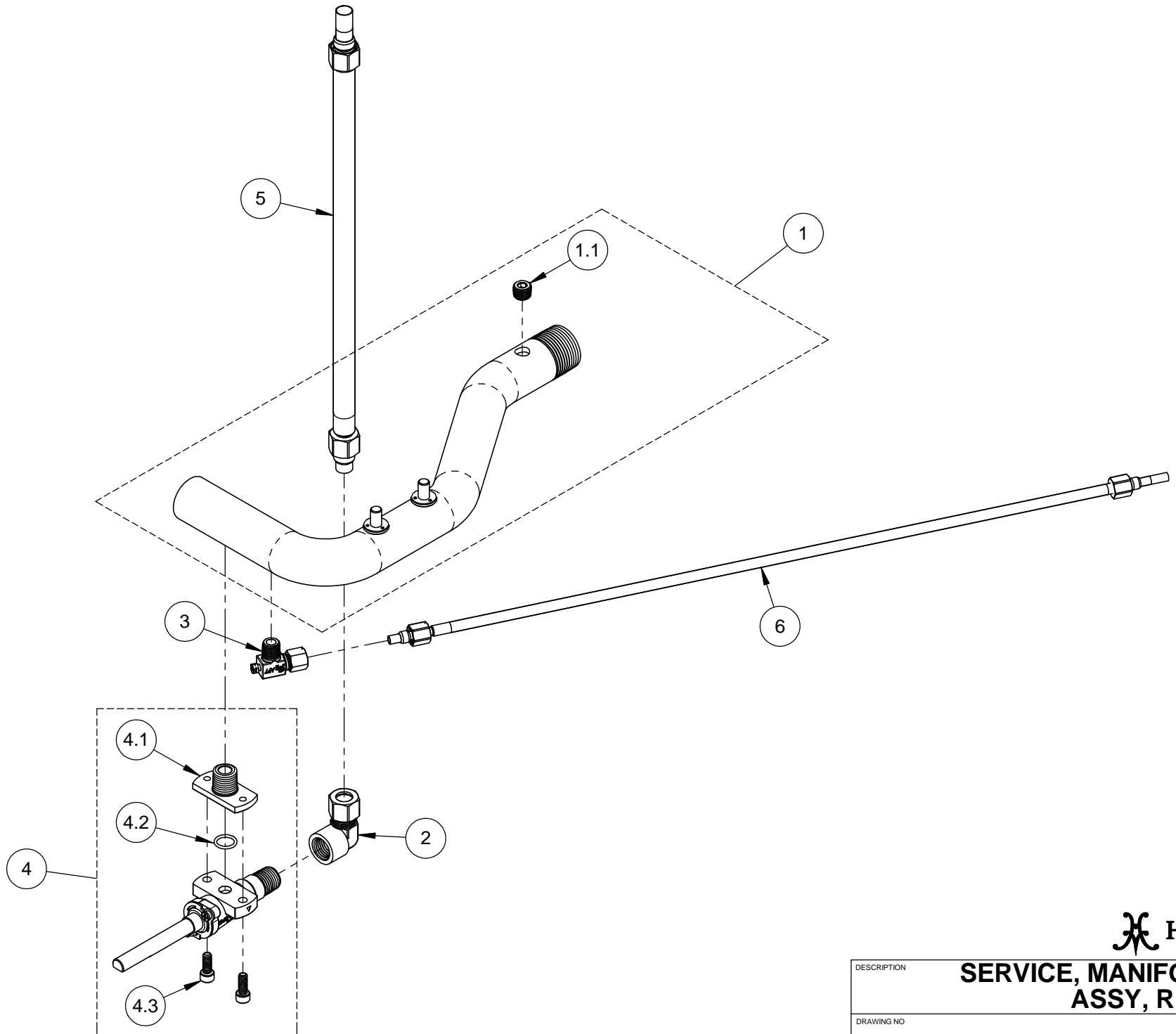


**SERVICE, ASSY, TOP, CM,
 SINGLE BURNER**

DESCRIPTION	
DRAWING NO	A1

A1 - TOP, SINGLE BURNER - SALAMANDER

Item No.	Part No.	DESCRIPTION	HSMC24	HSMR24	HSMW24	HSMC36	HSMR36	HSMW36
			QTY	QTY	QTY	QTY	QTY	QTY
1	013132	SHIELD, PILOT, SM/CM	1	1	1	1	1	1
2	010237	SERVICE, MS, 10-24 X 1/4, HEXHD, SS, PKG 6	3	3	3	3	3	3
3	005753	PANEL W/INDICATOR, CONTROL, SM/CM, 24"	1	1	1	-	-	-
	004244	PANEL W/INDICATOR, CONTROL, SM/CM, 36"	-	-	-	1	1	1
4	013953	SERVICE, MS, 8-32 X .375, PH, FLT, UC, SS, PKG 12	1	1	1	1	1	1
5	001842	LOGO, HESTAN, 2.125 x 1.56	1	1	1	1	1	1
6	014439	SERVICE, RETAINING RING, EXTERNAL, .125" DIAMETER SHAFT, PKG 4	1	1	1	1	1	1
7	002212	DEFLECTOR, HEAT, SM/CM, 24"	1	1	1	-	-	-
	001020	DEFLECTOR, HEAT, SM/CM, 36"	-	-	-	1	1	1
8	003915	PANEL, UNDER, SIDE, SM/CM, 24"	2	2	2	-	-	-
	001579	PANEL, UNDER, SIDE, SM/CM	-	-	-	2	2	2
9	013962	SERVICE, MS, 10-24 X .25, PH, PAN, ZN, PKG 8	1	1	1	1	1	1
10	008621	ASSY, BAFFLE, LH, TOP, SM/CM, 24"	1	1	1	1	1	1
	008546	ASSY, BAFFLE, LH, TOP, SM/CM	-	-	-	-	-	-
11	002185	BURNER, INFRARED, INCONEL, B15	1	1	1	-	-	-
	000677	BURNER, INFRARED, INCONEL, B30	-	-	-	1	1	1
12	006822	WELDMENT, COVER, PILOT, SM/CM	1	1	1	1	1	1
13	002213	PANEL, TOP, SM/CM, 24"	1	1	1	-	-	-
	001176	PANEL, TOP, SM/CM, 36"	-	-	-	1	1	1
14	013961	SERVICE, MS, 10-24 X .313, PH, PAN, SS, PKG 15	1	1	1	1	1	1
15	014154	SERVICE, SHIELD, SWITCH/MODULE, PKG 2	1	1	1	1	1	1
16	000150	KNOB ASSY., ON-OFF, 85%	1	1	1	1	1	1
16.1	014300	SERVICE, SETSCREW, #10-24 X .875, CUP PT., SS, PKG 6	1	1	1	1	1	1
17	008620	ASSY, BAFFLE, RH, TOP, SM/CM, 24"	1	1	1	-	-	-
	008544	ASSY, BAFFLE, RH, TOP, SM/CM	-	-	-	1	1	1
18	014179	SERVICE, ELBOW W/PNL NUT, ORIFICE, IR BURNER, KIT	1	1	1	1	1	1
19	014155	SERVICE, NUT, 1/4-20, ZN, PKG 4	1	1	1	1	1	1
20	002865-047	ORIFICE, SPUD **NG STANDARD**	X	X	X	-	-	-
	002865-041	ORIFICE, SPUD **NG STANDARD**	-	-	-	X	X	X
	002865-055	ORIFICE, SPUD **LP STANDARD**	X	X	X	-	-	-
	002865-052	ORIFICE, SPUD **LP STANDARD**	-	-	-	X	X	X
21	014185	SERVICE, PILOT ASSY., RIGHT ANGLE, 5C-2, LP, KIT	1	1	1	1	1	1
	014180	SERVICE, PILOT ASSY., RIGHT ANGLE, 5C-2, NG, KIT	1	1	1	1	1	1



 **HESTAN**

**SERVICE, MANIFOLD, GAS
ASSY, RH, SM/CM**

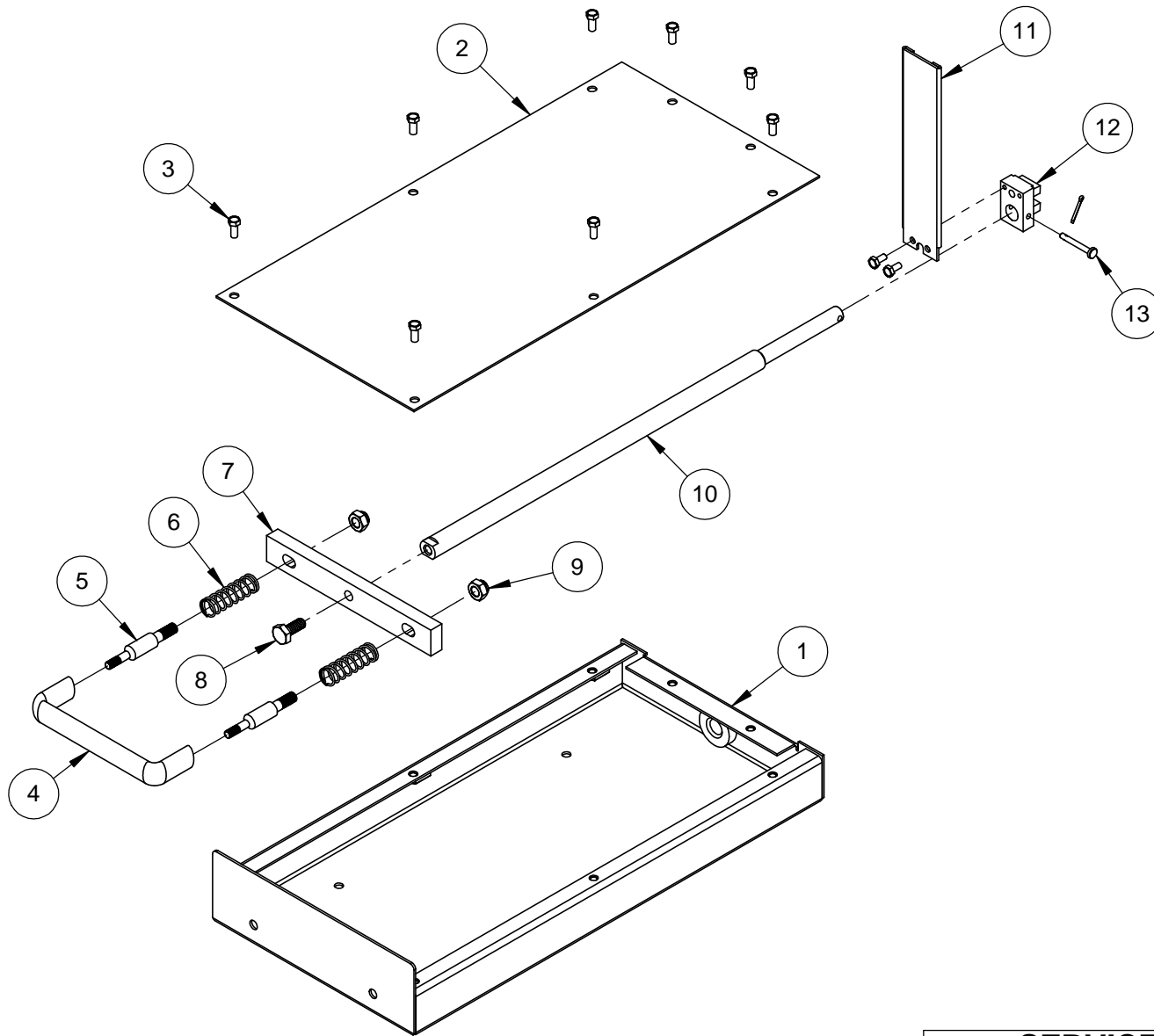
DESCRIPTION

DRAWING NO

B1

B1 - GAS MANIFOLD ASSEMBLY, RIGHT - SALAMANDER

			HSM__
Item No.	Part No.	DESCRIPTION	QTY
1	004122	ASSY, MANIFOLD, RH, SM/CM	1
1.1	000360	PLUG, HEX SOCKET, 1/8" NPT	1
2	002321	ELBOW, ADAPTER, 1/4 NPT FEMALE X 3/8 ♂C	1
3	000113	VALVE, PILOT, 1/8NPT x 3/16 COMP., ♂LBOW	1
4	015662	KIT, VALVE, ON-OFF, FLANGE-MOUNT, A23-F	1
4.1	004643	FLANGED NIPPLE, 1/4"NPT	1
4.2	014103	SERVICE, O-RING, FLANGED NIPPLE, PKG 6	1
4.3	012750	SERVICE, SHCS, #10-24 X .500, SS, PKG 6	1
5	005682	HOSE, FLEX, 3/8 OD, 12", F-F, NUT/FERRULE	1
6	005688	HOSE, FLEX, 3/16 OD, 18", F-F, NUT/FERRULE	1

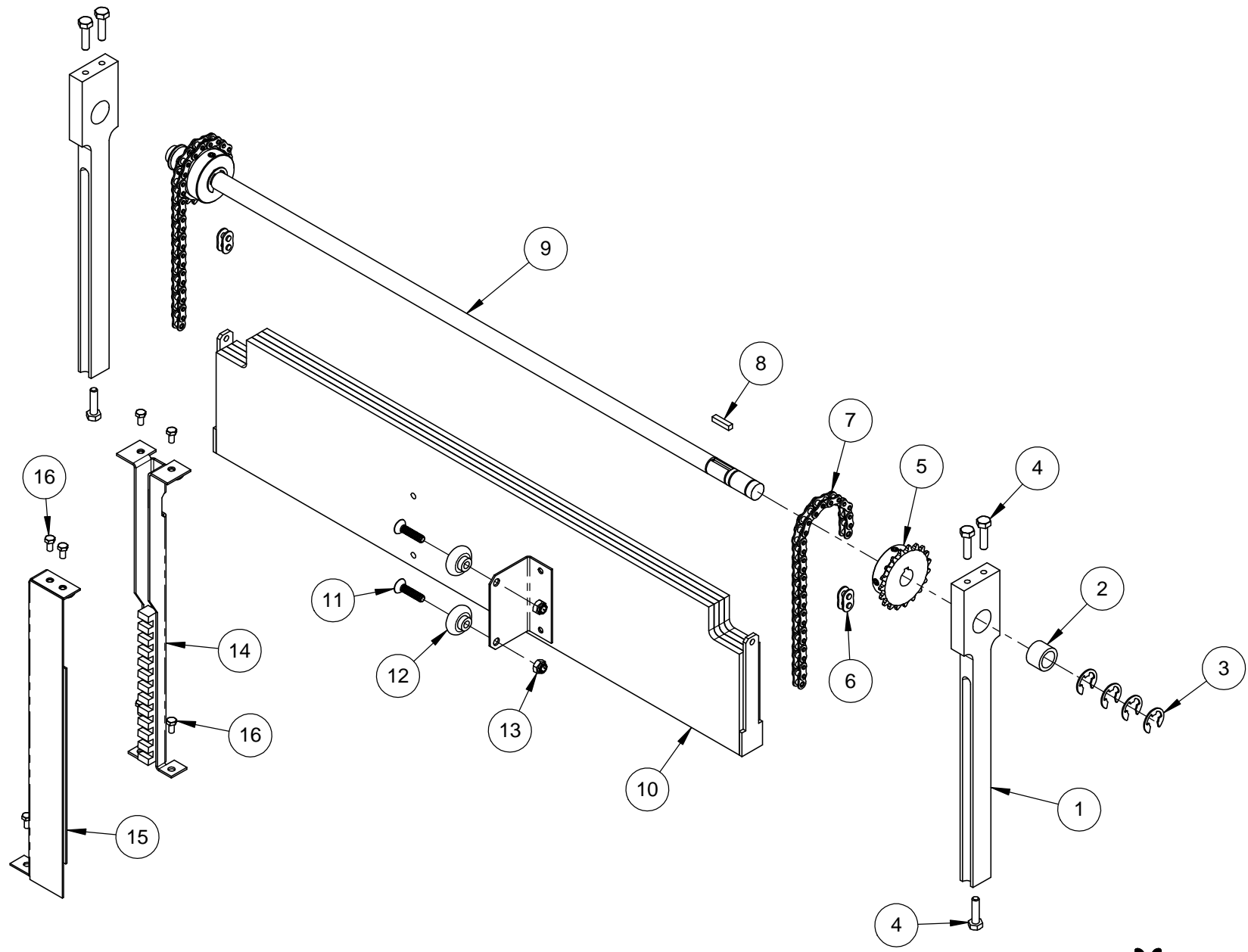


 HESTAN

DESCRIPTION	SERVICE, LOCK MECHANISM ASSY, SALAMANDER
DRAWING NO	A2

A2 - LOCKING MECHANISM - SALAMANDER

			HSM__
Item No.	Part No.	DESCRIPTION	QTY
1	011704	WELDMENT, HOUSING, MECH., SM, VER. 2	1
2	011712	COVER, TRAY, FIXED, SM, VER. 2	1
3	014189	SERVICE, MS, 8-32 X .375, HEXHD, SS, PKG 4	2
4	000840	HANDLE, OVAL	1
5	000762	ROD, EXTENSION, HANDLE, SM	2
6	014000	SERVICE, SPRING, COMPRESSION, 0.48 OD X 1.5 LG, PKG 2	1
7	000764	PLATE, CONNECTOR, HANDLE, SALAMANDER	1
8	014191	SERVICE, HB, 1/4-20 X .625, SS, PKG 4	1
9	013957	SERVICE, NUT, LCK, EXPANDING, 1/4-20, SS, PKG 8	1
10	011942	ROD, PULL, TRAY, FIXED, SM, VER. 2	1
11	014186	SERVICE, SHIELD, SLOT, CENTER, SM, KIT	1
12	000566	GEAR, LINEAR, SALAMANDER	1
13	014188	SERVICE, PIN, CLEVIS, 1/8 OD X 1 LG, W/ COTTER PIN, KIT	1



HESTAN

**SERVICE, REAR ASSY,
SALAMANDER**

DESCRIPTION

DRAWING NO

A3

A3 - REAR ASSEMBLY - SALAMANDER

Item No.	Part No.	DESCRIPTION	HSMC24	HSMR24	HSMW24	HSMC36	HSMR36	HSMW36
			QTY	QTY	QTY	QTY	QTY	QTY
1	011673	TRACK, VERTICAL, SM, VER. 2	2	2	2	2	2	2
2	011830	SLEEVE BEARING, 700 F, 5/8 SHAFT, 7/8 OD, 5/8 L	2	2	2	2	2	2
3	014086	SERVICE, RING, RETAINING, 5/8" SHAFT, PKG 8	1	1	1	1	1	1
4	014089	SERVICE, HB, 1/4-20 X 1.0, ZN, PKG 6	1	1	1	1	1	1
5	011834	SPROCKET, ROLLER CHAIN, #35, .625 BORE X 2.47 OD	2	2	2	2	2	2
6	001398	CONNECTING LINK, ANSI #35 CHAIN	2	2	2	2	2	2
7	010304	CHAIN, ROLLER, ANSI #35, 1.625" DIAM, VER. 2	2	2	2	2	2	2
8	014085	SERVICE, KEY, ROD, BEARING, SM, VER. 2, PKG 2	1	1	1	1	1	1
9	012764	ROD, BEARING, SM, VER. 2, 24"	1	1	1	-	-	-
	010302	ROD, BEARING, SM, VER. 2, 36"	-	-	-	1	1	1
10	012759	COUNTER WEIGHT, SM, VER. 2, 24", WA	1	1	1	-	-	-
	010295	COUNTER WEIGHT, SM, VER. 2, 36", WA	-	-	-	1	1	1
11	013956	SERVICE, MS, 1/4-20 X 1.125, SH, FLT, ZN, PKG 8	1	1	1	1	1	1
12	001549	SERVICE, WHEEL, ROLLER, 1.095" OD, PKG 4	1	1	1	1	1	1
13	013957	SERVICE, NUT, LCK, EXPANDING, 1/4-20, SS, PKG 8	1	1	1	1	1	1
14	011674	WELDMENT, GEAR, RACK, SM, VER. 2	1	1	1	1	1	1
15	011934	ASSY, COUNTERWEIGHT SUPP, VER. 2, SM, WA	1	1	1	1	1	1
16	013959	SERVICE, MS, 10-24 X .375, HEXHD, ZN, PKG 8	1	1	1	1	1	1