

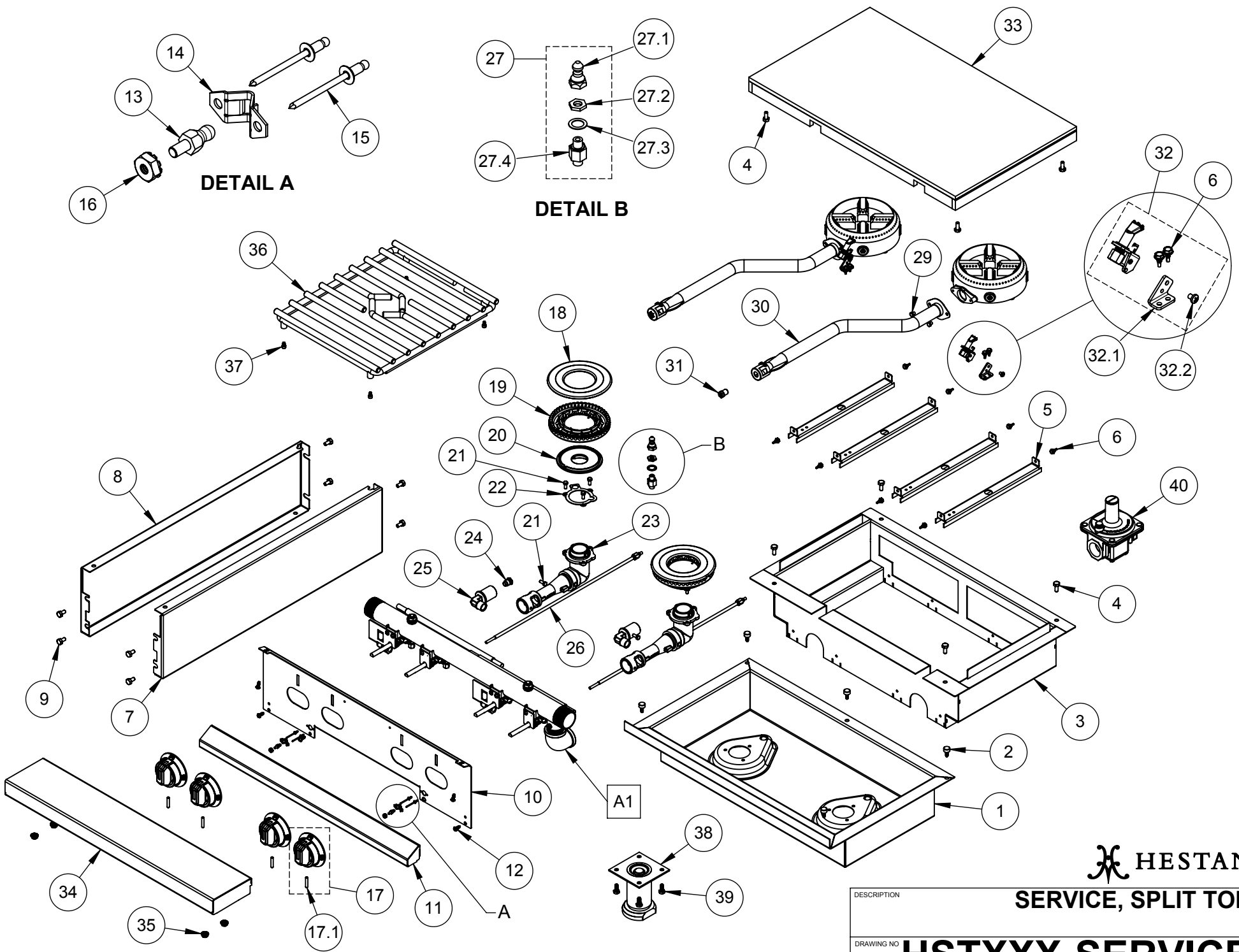
Commercial Service Parts

SPLIT TOP (HST)

Hestan Commercial Corporation
3375 E. La Palma Ave.
Anaheim, CA 92806
(888) 905-7463

RETAIN THIS FOR FUTURE REFERENCE

Revised: June 1, 2023
Rev. C



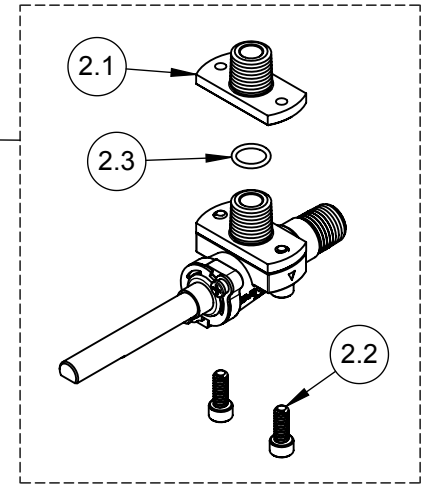
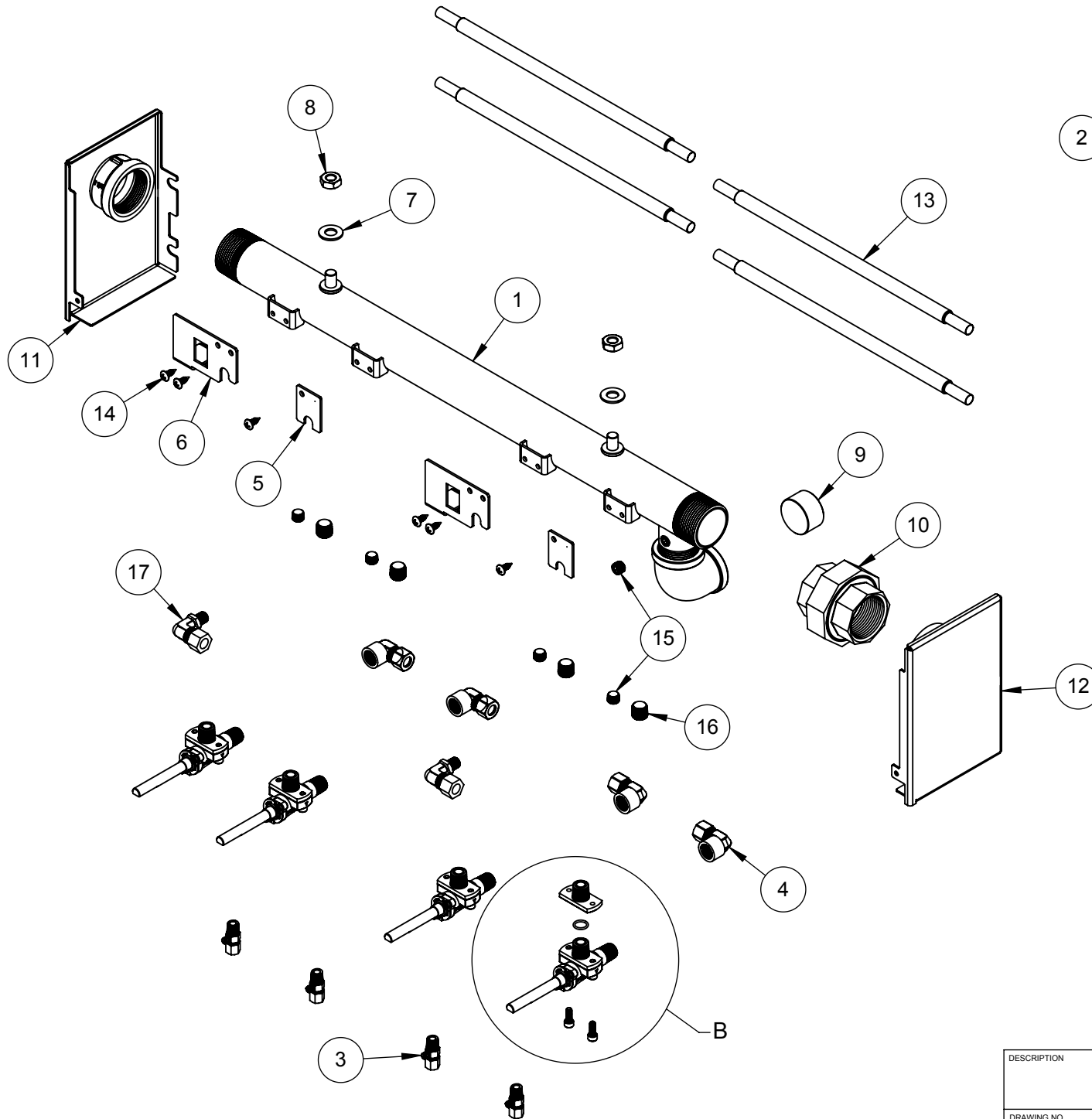
HESTAN
SERVICE, SPLIT TOP

DESCRIPTION
DRAWING NO. **HSTXXX-SERVICE**

SPLIT TOP - SERVICE PARTS LIST

Item No.	Part No.	DESCRIPTION	HST244	HST364	HST366
			QTY	QTY	QTY
1	011952	BOWL, SEALED BURNER, HALF, FRONT, SF, 242, WA	1	-	-
	012283	BOWL, SEALED BURNER, HALF, FRONT, SF, 362, WA	-	1	-
	007475	BOWL, SEALED BURNER, HALF, FRONT, SF, 363, WA	-	-	1
2	014376	SERVICE, SCREW COVER, SEALED BURNER, PKG 6	1	1	1
3	011972	FIREBOX, SPLIT TOP, HT, 244, WA	1	-	-
	013916	FIREBOX, SPLIT TOP, HT, 364, WA	-	1	-
	009039	FIREBOX, SPLIT TOP, HT, 366, WA	-	-	1
4	013389	SERVICE, HB, 1/4-20 X .625, ZN, PKG 8	1	1	1
5	009051	BURNER HANGER, SPLIT TOP, HT	4	4	6
6	014381	SERVICE, SMS, TEK, #10 X 1/2", ZN, PKG 6	2	2	3
7	000122	PANEL, SIDE, RH, RANGETOP	1	1	1
8	000501	PANEL, SIDE, LH, RANGETOP	1	1	1
9	013303	SERVICE, HB, 1/4-20 X .50, ZN, PKG. 8	1	1	1
10	013599	PANEL, CONTROL, SPLIT TOP, 24"-4 - INDICATOR	1	-	-
	013928	PANEL, CONTROL, SPLIT TOP, 36-4 - INDICATOR	-	1	-
	013549	PANEL, CONTROL, SPLIT TOP, 36-6 - INDICATOR	-	-	1
11	001582	CHIN, CONTROL PANEL, W/O HANDLE, 24", WA	1	-	-
	001194	CHIN, CONTROL PANEL, W/O HANDLE, 36", WA	-	1	1
12	010242	SERVICE, SMS, #10-24 X 1/2, PH, PAN, TYPE F, SS, PKG 10	1	1	1
13	012687	SERVICE, BALL STUD, MALE, 6-32UNC, .052-.078 PNL THK, PKG 4	1	1	1
14	012752	RECEPTACLE, BALL STUD, 18LB PULL, C1663-028-3B, PKG 4	1	1	1
15	012751	SERVICE, POP RIVET, CSINK, 1/8 DIA X .275L, SS, PKG 8	1	1	1
16	012688	SERVICE, NUT, KEPS, 6-32, SS, PKG 4	1	1	1
17	000130	KNOB ASSY., ON-OFF, 100%	4	4	6
17.1	014299	SERVICE, SETSCREW, #10-24 X 1.000, CUP PT., SS, PKG 6	1	1	1
18	002058	BURNER RING, SEALED BURNER, SF	2	2	3
19	002055	HEAD, BURNER, SEALED BURNER, SF	2	2	3
20	002057	BURNER BASE, SEALED BURNER, SF	2	2	3
21	014390	SERVICE, SCREW, MOUNTING, M5X12, SEALED BURNER, PKG 4	2	2	3
22	002056	GASKET, MAIN, SEALED BURNER, SF	2	2	3
23	002061	VENTURI, FRONT, SEALED BURNER	2	2	3

Item No.	Part No.	DESCRIPTION	HST244	HST364	HST366
			QTY	QTY	QTY
24	006640	ORIFICE, #44, MAIN, SEALED BURNER, DF-NG1	2	2	3
25	002048	JET HOLDER, MAIN, SEALED BURNER, SF/DF	2	2	3
26	005688	HOSE, FLEX, 3/16 OD, 18", F-F, NUT/FERRULE	2	2	3
27	009106	PILOT, SEALED BURNER, ASSY	2	2	3
27.1	008771	PILOT, SEALED BURNER	2	2	3
27.2	014391	SERVICE, NUT, LOCK, PILOT, SEALED BURNER, PKG 3	1	1	1
27.3	014392	SERVICE, WASHER, BRASS, .500 ID X .750 OD X .025 THK, PKG 3	1	1	1
27.4	014396	SERVICE, ADAPTER, PILOT, SEALED BURNER, KIT	2	2	3
28	000485	BURNER ASSY, CAST IRON	2	2	3
29	010237	SERVICE, MS, 10-24 X 1/4, HEXHD, SS, PKG 6	1	1	1
30	007349	VENTURI, STAINLESS, SPLIT TOP	2	2	3
31	000293-044	ORIFICE, HOOD, #44	2	2	3
32	013542	PILOT ASSY, SPLIT TOP	2	2	3
32.1	009085	BRACKET, PILOT, SPLIT TOP, HT	2	2	3
32.2	013391	SERVICE, MS, 10-32 X .25, PH, PAN, SS, PKG 4	1	1	1
32.3	005689	HOSE, FLEX, 3/16 OD, 24", F-F, NUT/FERRULE	2	2	3
33	011976	PLATE, SPLIT TOP, 24", ASSY	1	-	-
	009066	PLATE, SPLIT TOP, 36", ASSY	-	1	1
34	003662	PLATE SHELF, 24, W/A	1	-	-
	003664	PLATE SHELF, 36, W/A	-	1	1
	034424	PLATE SHELF, 6" EXTENDED, WA, 24	1	-	-
	006053	PLATE SHELF, 6" EXTENDED, WA, 36	-	1	1
	034426	PLATE SHELF, 8" EXTENDED, WA, 24	1	-	-
	006069	PLATE SHELF, 8" EXTENDED, WA, 36	-	1	1
35	012685	SERVICE, NUT, LCK, SERRATED FLG, 1/4-20, ZN, PKG 6	1	1	1
36	009957	GRATE, SPLIT TOP, 12"	2	-	3
	013931	GRATE, SPLIT TOP, 18"	-	2	-
37	014398	SERVICE, SHCS, #10-24 X .313, SS, PKG 6	2	2	2
38	000470	ADJUSTABLE LEG, ASSY, 4"	4	4	4
39	014191	SERVICE, HB, 1/4-20 X .625, SS, PKG 4	4	4	4
40	004163	REGULATOR, STRAIGHT-THRU, 1"NPT, NG	1	1	1
	004162	REGULATOR, STRAIGHT-THRU, 1"NPT, LP	1	1	1
	004165	REGULATOR, STRAIGHT-THRU, 1-1/4"NPT, NG	1	1	1
	004164	REGULATOR, STRAIGHT-THRU, 1-1/4"NPT, LP	1	1	1



DETAIL B

HESTAN

**SERVICE, MANIFOLD, GAS
ASSY, SPLIT TOP**

DESCRIPTION

DRAWING NO

A1

A1 - GAS MANIFOLD ASSEMBLY - SPLIT TOP

Item No.	Part No.	DESCRIPTION	HST244	HST364	HST366
			QTY	QTY	QTY
1	011172	MANIFOLD, SP, 24-4, WA	1	-	-
	010249	MANIFOLD, SP, ST, SU, 36-4, WA	-	1	-
	009946	MANIFOLD, SP, ST, SU, 36-6, WA	-	-	1
2	015662	KIT, VALVE, ON-OFF, FLANGE MOUNT, A23-F	4	4	6
2.1	004643	FLANGED NIPPLE, 1/4 NPT	4	4	6
2.2	012750	SERVICE, SHCS, 10-24 X .500, SS, PKG 6	2	2	2
2.3	014103	SERVICE, O-RING, FLANGED NIPPLE, PKG 6	1	1	1
3	000859	VALVE, PILOT, 1/8NPT x 3/16 COMP., STRAIGHT	4	4	6
4	002321	ELBOW, ADAPTER, 1/4 NPT FEMALE X 3/8 CC	4	4	6
5	001413	BRACKET, VALVE ANTI-ROTATION, STD.	2	2	3
6	009088	BRACKET, ORIFICE, SPLIT TOP, HT	2	2	3
7	012679	SERVICE, WSH, FLAT, 3/8 SAE, PKG 4	1	1	1
8	012681	SERVICE, NUT, 3/8-16 X .25, PKG 4	1	1	1
9	000258	PLUG, SQUARE SOCKET, 1" NPT	1	1	1
10	000254	UNION, 1.25", NPT, SET	1	1	1
11	AHCCL	CAP, MANIFOLD, LEFT, ASSY.	1	1	1
12	AHCCR	CAP, MANIFOLD, RIGHT, ASSY.	1	1	1
13	005682	HOSE, FLEX, 3/8 OD, 12", F-F, NUT/FERRULE	4	4	6
14	012689	SERVICE, SMS, #10 X .5, PH, PAN, ZN, PKG 3	2	2	3
15	000360	PLUG, HEX SOCKET, 1/8" NPT	5	5	7
16	001940	PLUG, HEX SOCKET, 1/4" NPT	4	4	6