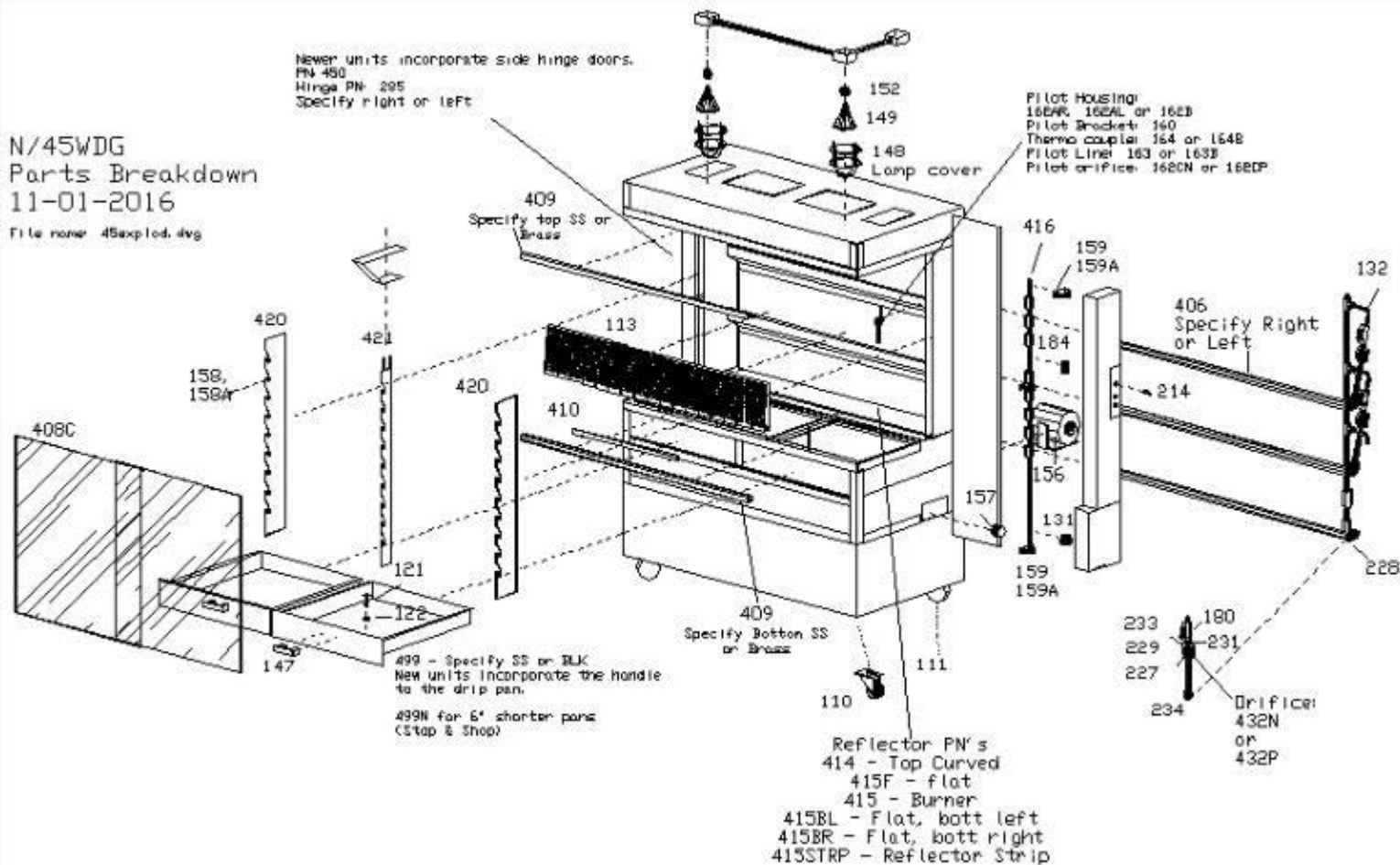


N/45WDG
 Parts Breakdown
 11-01-2016

File name: 45explod.dwg

Newer units incorporate side hinge doors.
 PN 450
 Hinge PN: 295
 Specify right or left

Pilot Housing:
 168AP, 168AL or 168B
 Pilot Bracket: 160
 Thermo couple: 164 or 164B
 Pilot Line: 163 or 163B
 Pilot orifice: 162DN or 162DP



Mineral Kit #4 - Insulation