



# CATALOG OF REPLACEMENT PARTS



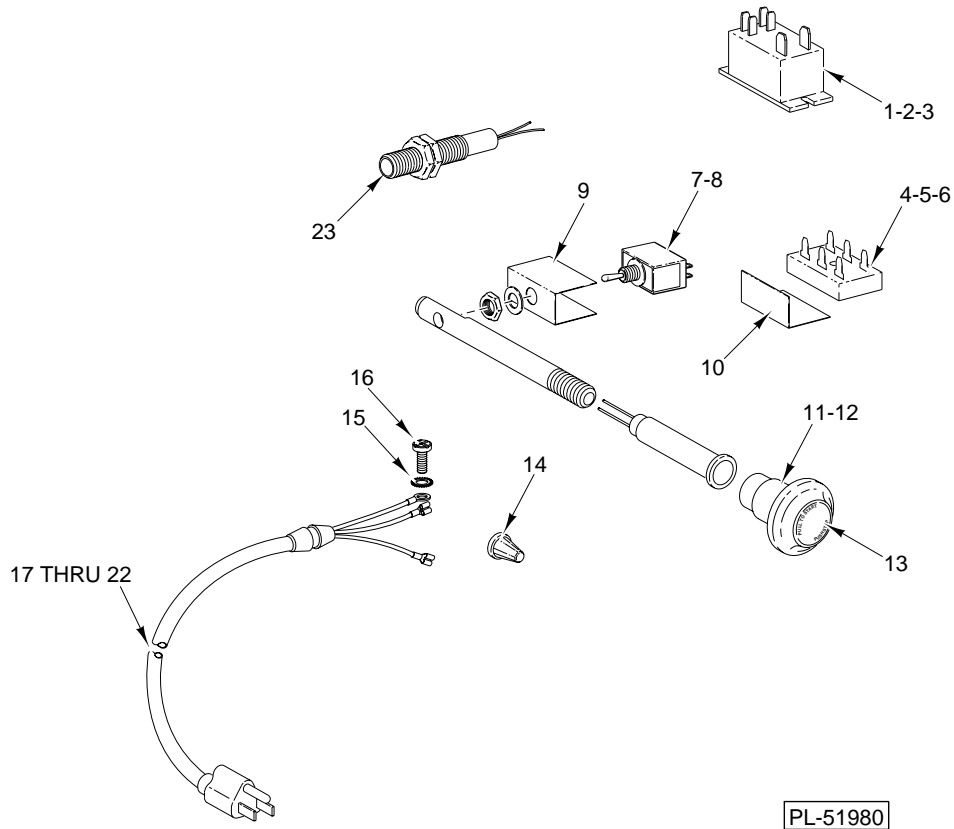
## SLICERS

1612E	ML-104546
1712E	ML-104547
1712RE	ML-104548

**THIS MANUAL REPLACES AND SHOULD  
BE USED INSTEAD OF FORM 18987**

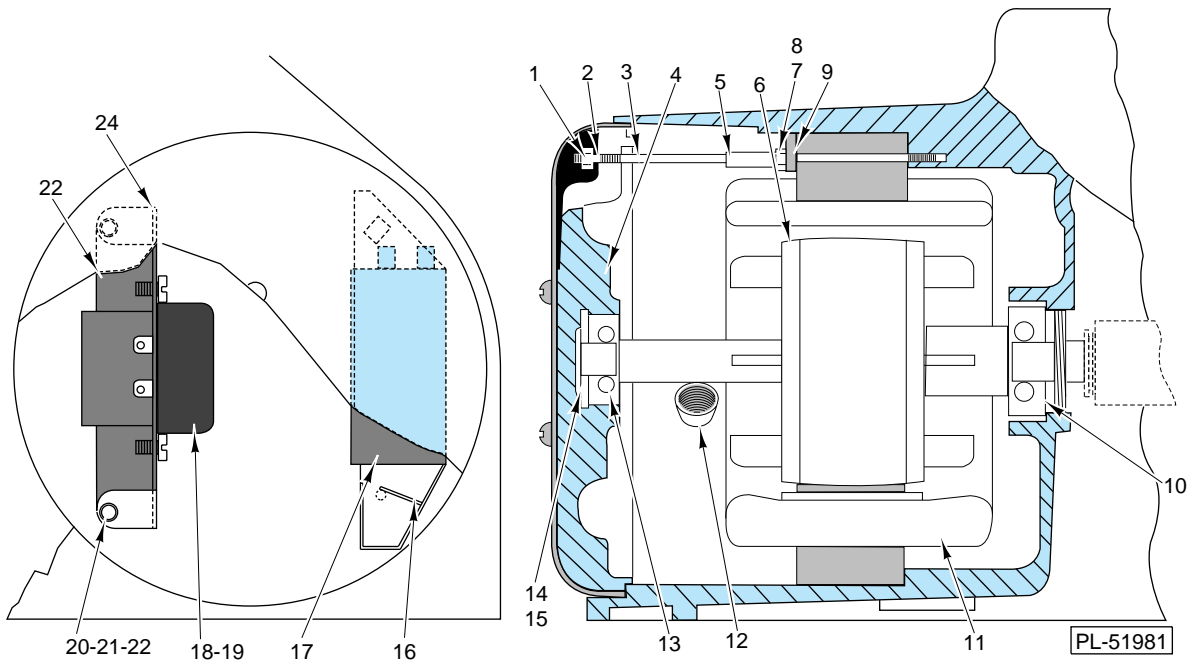
**PRIOR MLS COVERED IN THIS MANUAL:**

1612E	ML-104029
1712E	ML-104030
1712RE	ML-104031



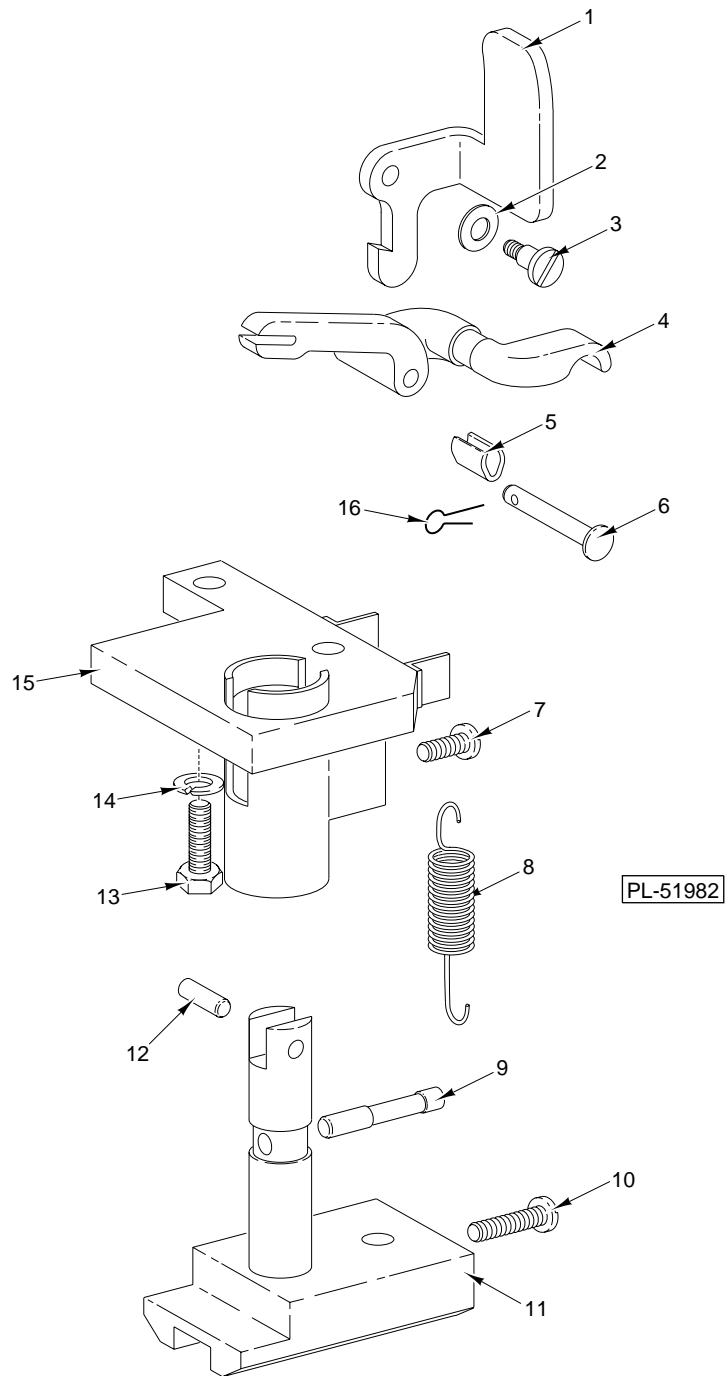
### ELECTRICAL

ILLUS. PL-51980	PART NO.	NAME OF PART	AMT.
1	87714-42-1	Relay (2 Pole)(Under 150 V.)	1
2	87714-42-3	Relay (2 Pole) (220 - 240 V.)	1
3	SD-12-34	Self-Tapping Screw 8-32 x 5/16 Pan Hd., Type T	2
4	87714-39-3	Timer - Relay (Under 150 V.)	1
5	87714-39-4	Timer - Relay (200-250 V.)	1
6	SD-37-95	Self-Tapping Screw 10-24 x 1 Phil. Pan Hd., Type TT	1
7	120388	Switch & Label Assy.	1
8	87711-148-1	Switch (With Nuts)	1
9	437657	Switch - Mylar	1
10	438130	Insulator - Switch	1
11	438294-1	Disc & Lighted Knob Assy. (Under 150 V.)	1
12	438294-2	Disc & Lighted Knob Assy. (200 - 250 V.)	1
13	76902	Disc - Insert	1
14	FE-6-29	Wire Nut (14-22 Ga.)	3
15	WL-10-1	Lockwasher 8 External Shakeproof	1
16	SD-24-13	Self-Tapping Screw 8-32 x 3/8 Pan Hd., Type TT	1
17	123856-1	Cord & Plug Assy. (Under 150 V.)	1
18	123856-2	Cord & Plug Assy. (200-250 V.)	1
19	123858	Cord Assy. (I.E.C.)	1
20	RR-8-13	Retaining Ring (Use with items 17 & 18)	1
21	WS-5-36	Washer (Use with item 19)	2
22	FE-6-32	Strain Relief (Use with item 19)	2
23	87711-243-1	Sensor (Home Position And/Or Auto-Shut-off)	AR



**MOTOR PARTS**

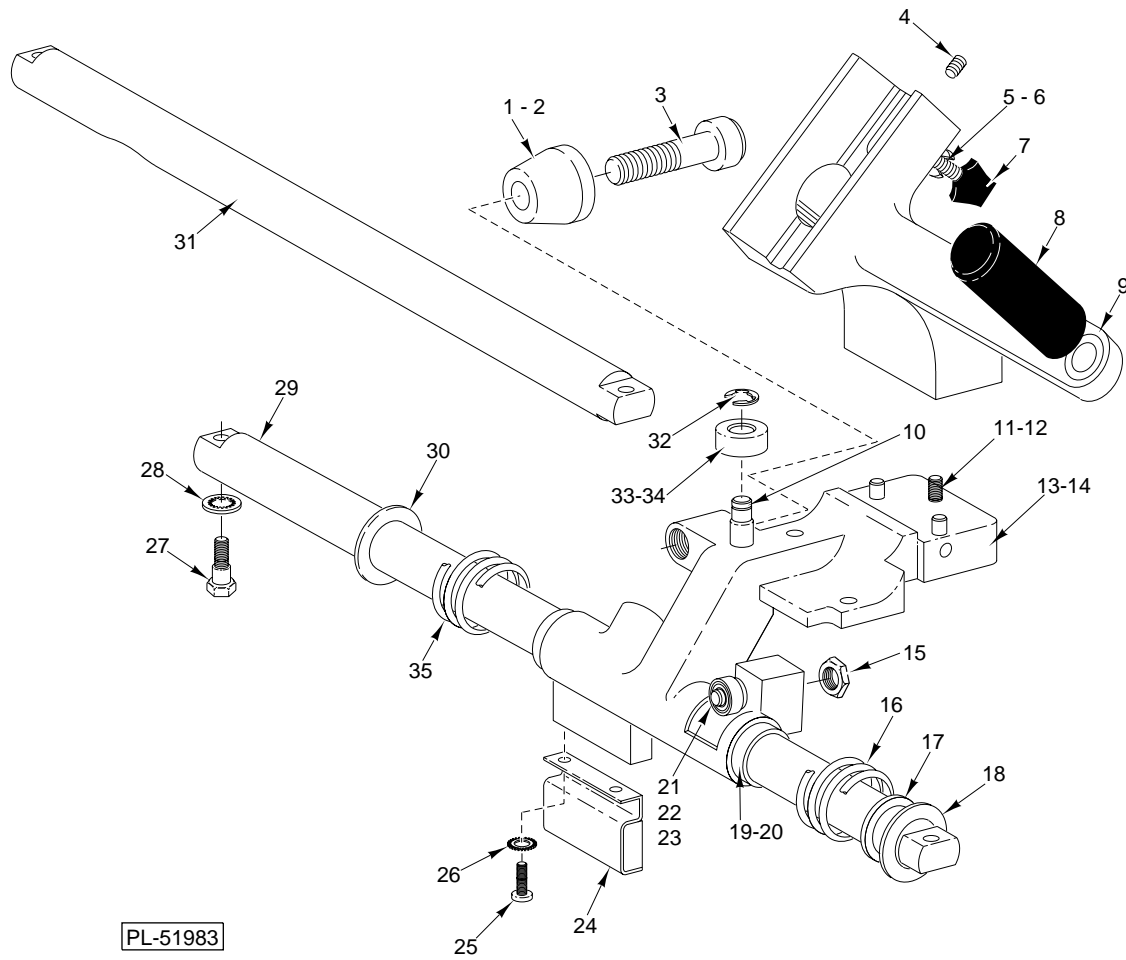
ILLUS. PL-51981	PART NO.	NAME OF PART	AMT.
	1	NS-9-12 Mach. Nut 8-32 Hex .....	4
	2	WL-7-6 Lockwasher 8 External Shakeproof .....	4
	3	120048 Stud - Stator .....	4
	4	110293 Bracket - Bearing .....	1
	5	103661-17 Tubing - Insulator 3/4 lg .....	2
	6	274761 Rotor .....	1
	7	NS-9-12 Mach. Nut 8-32 Hex .....	4
	8	WS-2-15 Washer .....	4
	9	293454 Retainer - Stator .....	4
	10	BB-15-41 Ball Bearing - N.D. #Z993L04 .....	1
	11	271639 Stator Assy. (All Voltages) .....	1
	12	70418 Bushing - Motor Leads .....	1
	13	BB-18-12 Ball Bearing - Fafnir #P201KDD .....	1
	14	21046-2 Washer - Bumper (1/32 Thk.) .....	2
	15	SL-2-2 Spring - Loading - N.D. #S-12 .....	1
	16	278280 Retainer - Capacitor .....	1
	17	70487-21 Capacitor (50% Hz.) .....	1
	18	271612-2 Switch - Electronic Start (50% Hz.) .....	1
	19	SD-24-13 Self-Tapping Screw 8-32 x 3/8 Pan Hd., Type TT .....	2
	20	103661-15 Tubing - Insulator 1 1/2 lg .....	1
	21	WS-2-15 Washer .....	2
	22	NS-9-12 Mach. Nut 8-32 Hex .....	2
	23	271614 Insulator - Motor Switch .....	1
	24	271613 Plate - Motor Switch .....	1



**ACTUATING MECHANISM  
(1712E & 1712RE)**

**ACTUATING MECHANISM  
(1712E & 1712RE)**

ILLUS. PL-51982	PART NO.	NAME OF PART	AMT.
1	70240	Clip - Locking .....	1
2	WS-2-43	Washer .....	1
3	70351	Screw - Special .....	1
4	70233-2	Lever - Actuating Mech .....	1
5	70245	Clip - Lever Wear .....	1
6	70297	Pin - Hinge .....	1
7	SC-60-21	Mach. Screw 10-24 x 1/4 Rd. Hd. ....	1
8	70399	Spring - Actuating Mech .....	1
9	118161	Dowel - Yoke & Shaft Locating .....	1
10	SC-60-20	Mach. Screw 10-24 x 1 Rd. Hd. ....	1
11	70266	Yoke & Shaft Assy .....	1
12	11800-137	Dowel .....	1
13	SC-62-81	Cap Screw 5/16-18 x 7/8 Hex Hd. ....	2
14	WL-3-44	Lockwasher 5/16 Medium .....	2
15	83424	Base and Brg. Assy .....	1
16	PC-3-23	Cotter Pin 1/16 x 1/2 .....	1

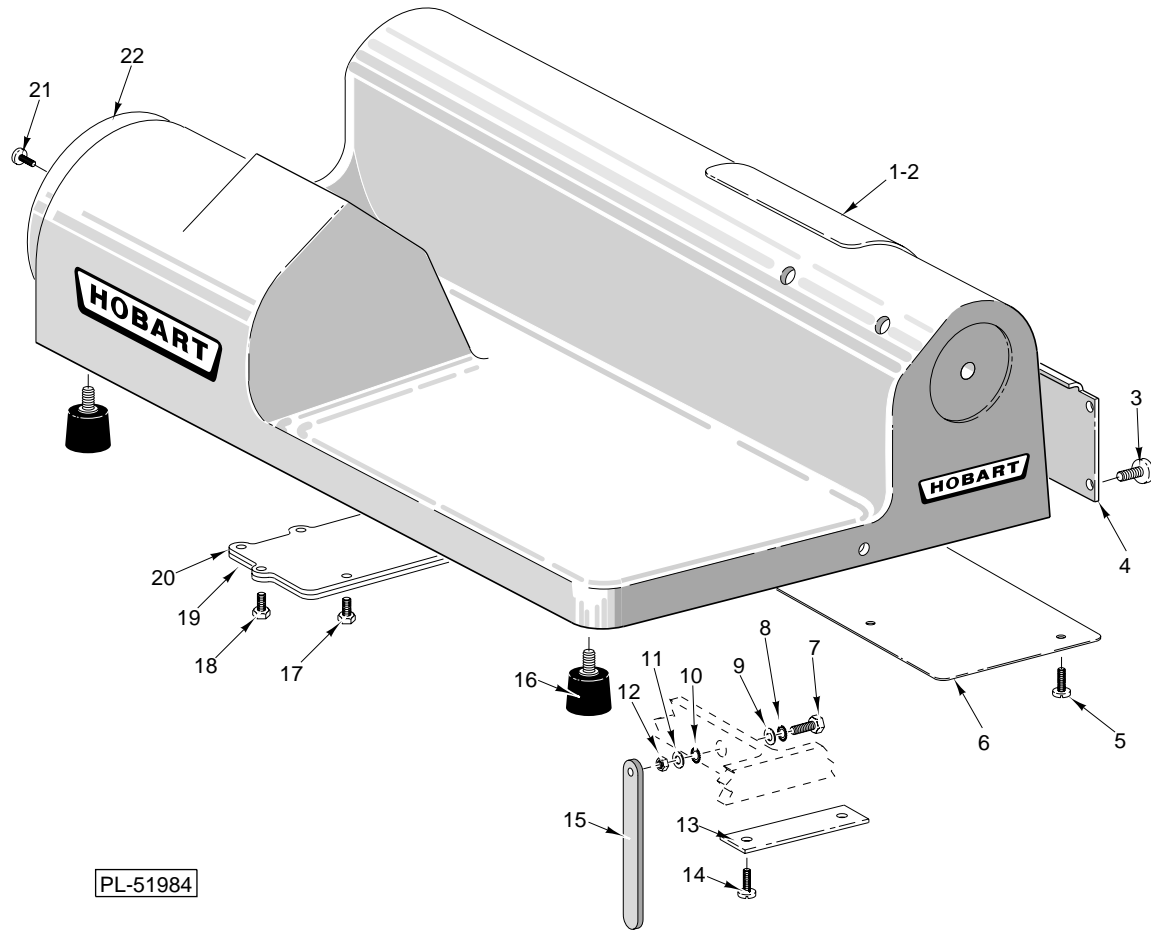


PL-51983

**SLIDE ROD & BEARING CARRIER  
ASSEMBLY**

### SLIDE ROD & BEARING CARRIER ASSEMBLY

ILLUS. PL-51983	PART NO.	NAME OF PART	AMT.
1	10928-2	Nut - Special .....	1
2	274899	Roller - Horizontal .....	1
3	274898	Stud - Horizontal Roller .....	1
4	SC-118-52	Set Screw ¼-20 x ½ Hdls. Cup Pt. ....	1
5	107364-2	Washer - Belleville .....	2
6	RR-11-60	Retaining Ring .....	1
7	108197-5	Thumb Screw .....	1
8	70194	Handle - Gauge Plate .....	1
9	88749-2	Carriage Support & Plug Assy. (Incls. items 4 & 8) .....	1
10	274896	Stud - Vertical Roller .....	1
11	SC-37-21	Cap Screw ½-13 x 1 ½ Hex Hd. ....	1
12	WL-6-35	Lockwasher ½ Light .....	1
13	274925-2	Carriage Bearing Sub Assy. ....	1
14	274895	Wick - Carriage Bearing .....	1
15	10928-2	Nut - Special .....	1
16	274903	Spring - Carriage Bearing .....	1
17	435707	Washer - Bumper (Rubber) .....	1
18	435708	Washer - Backup (SST) .....	2
19	437610	Bushing - Nyliner (Incls. item 20) .....	2
20	437612	Liner - Bushing .....	2
21	109870	Stud - Eccentric .....	1
22	BB-4-11	Ball Bearing - Hoover #626ZZ .....	1
23	RR-9-15	Retaining Ring .....	1
24	438701	Magnet Housing Assy. ....	1
25	SC-25-26	Mach. Screw 8-32 x ¾ Bdg. Hd. ....	2
26	WL-13-8	Lockwasher 8 Internal Shakeproof .....	2
27	SD-24-48	Self-Tapping Screw ¼-18 x 1 ¾ Hex Washer Hd. "Taptite" .....	4
28	WL-7-20	Lockwasher ⅝ Ext. "Shakeproof" .....	4
29	123686-1	Slide Rod - Lower .....	1
30	435707	Washer - Bumper (Rubber) .....	1
31	123686-2	Slide Rod - Upper .....	1
32	RR-9-15	Retaining Ring .....	1
33	274897	Roller - Vertical .....	1
34	BB-4-11	Ball Bearing - Hoover #626ZZ .....	1
35	274903	Spring - Carriage Bearing .....	1
	86262	Eccentric Stud, Bearing & Nut Assy. (Incls. items 15, 21, 22 & 23) .....	1

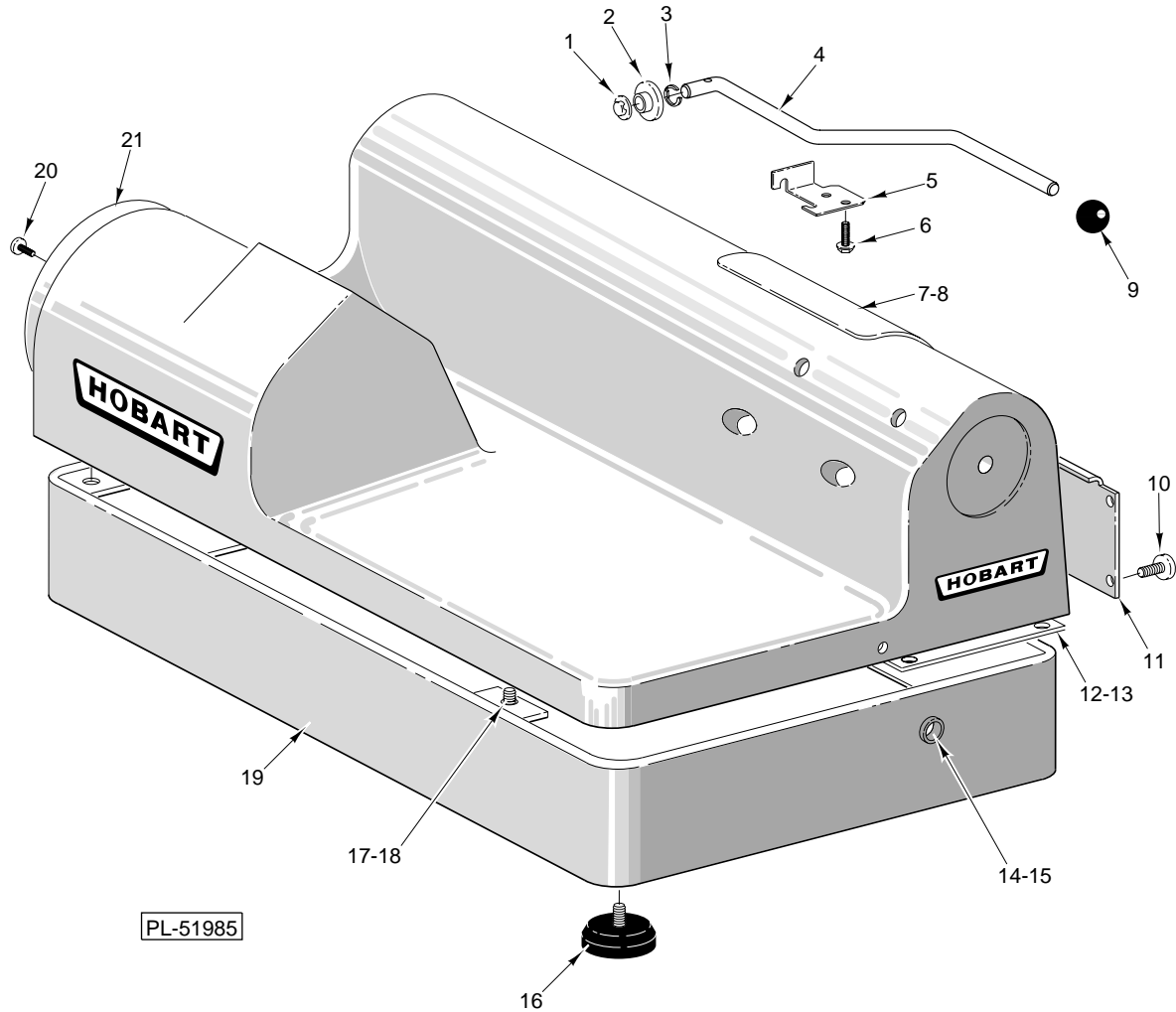


PL-51984

**BASE 1612E**

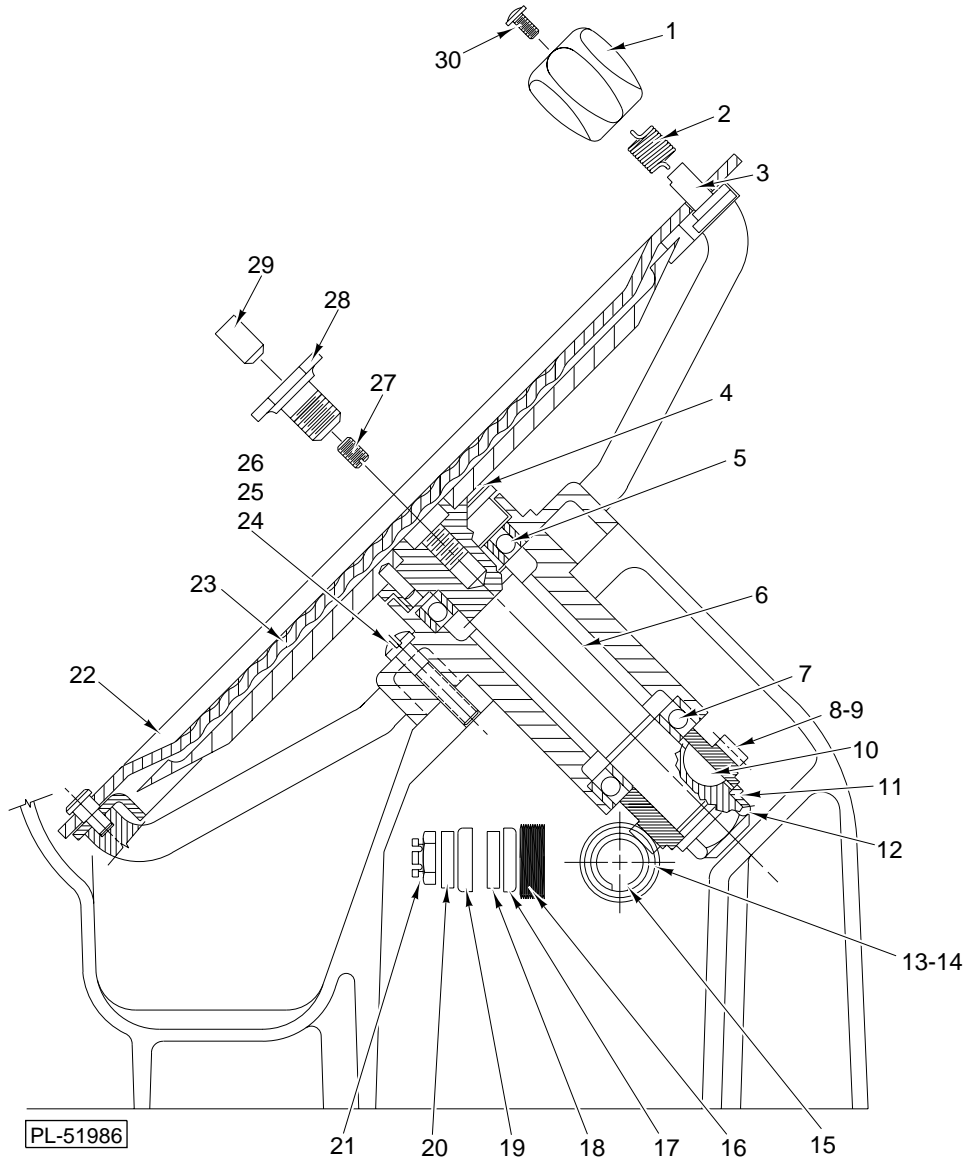
ILLUS. PL-51984	PART NO.	NAME OF PART	AMT.
1	437479	Access Cover - Slide Rods .....	1
2	SD-37-77	Self-Tapping Screw 6-32 x 3/8 Truss Hd., Type T .....	4
3	SC-10-32	Mach. Screw 8-32 x 3/8 Truss Hd. ....	4
4	274902	Panel - Side .....	1
5	SD-24-13	Self-Tapping Screw 8-32 x 3/8 Pan Hd., Type TT .....	2
6	437655	Cover - Electronics .....	1
7	SC-41-2	Cap Screw 1/4-20 x 1 Hex Hd. ....	1
8	WL-14-10	Lockwasher 1/4 Ext. "Shakeproof" .....	1
9	WS-22-6	Washer .....	1
10	WL-14-10	Lockwasher 1/4 Ext. "Shakeproof" .....	1
11	WS-22-6	Washer .....	1
12	NS-15-1	Full Nut 1/4-20 Hex .....	2
13	437866	Retainer - Leg .....	1
14	SD-24-13	Self-Tapping Screw 8-32 x 3/8 Pan Hd., Type TT .....	2
15	437865	Leg - Cleaning .....	1
16	18682-1	Bumper .....	4
17	SD-24-5	Self-Tapping Screw 5/16-18 x 5/8 Hex Hd., Type TT .....	2
18	SD-24-4	Self-Tapping Screw 10-24 x 5/8 Hex Hd., Type TT .....	5
19	116670	Cover - Gear Case .....	1
20	117710	Gasket - Gear Case Cover .....	1
21	SD-24-19	Self-Tapping Screw 8-32 x 3/8 Truss Hd., Type TT .....	2
22	70238	Cover - Bearing Bracket .....	1





**BASE 1712E/1712RE**

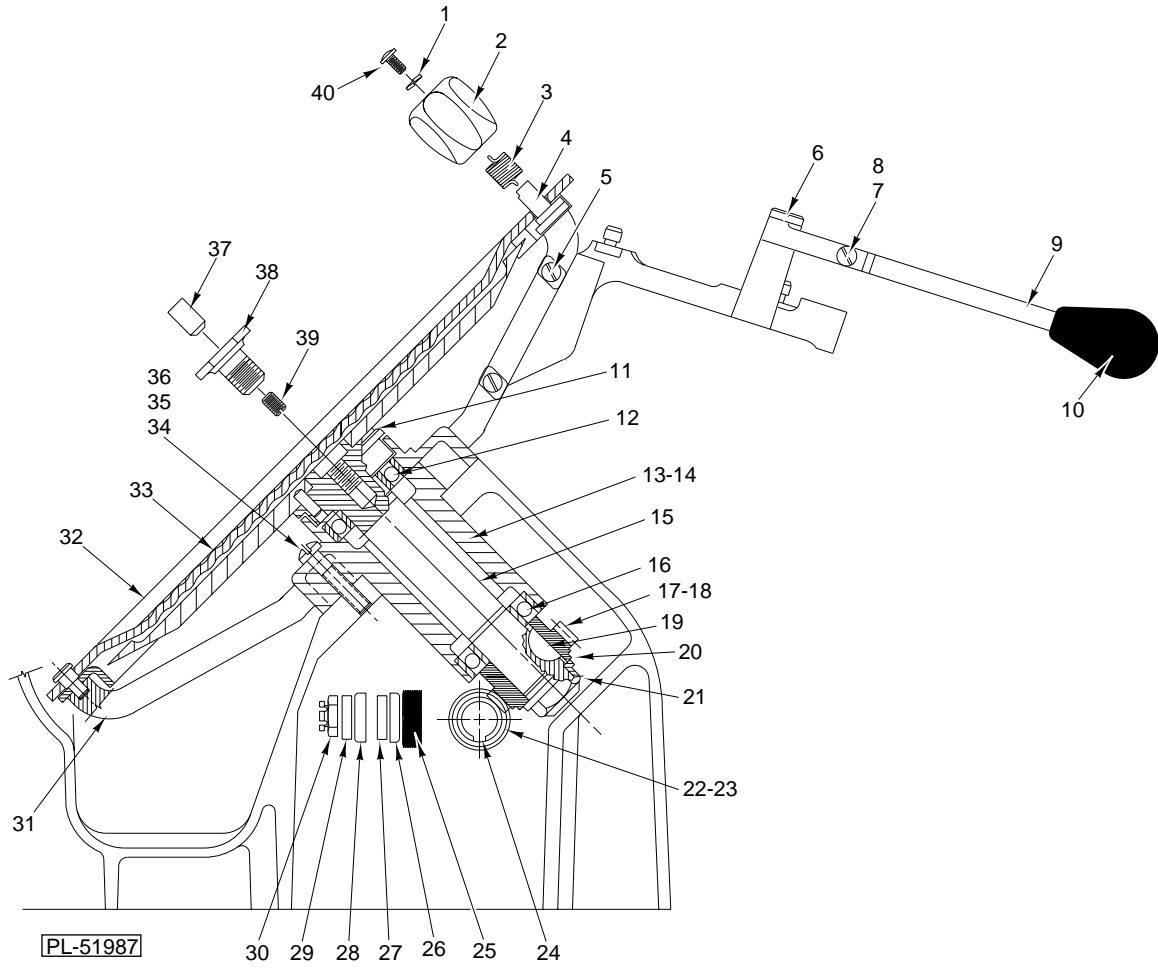
ILLUS. PL-51985	PART NO.	NAME OF PART	AMT.
1	106502	Push Nut .....	1
2	108001	Foot - Lifting Lever .....	1
3	RR-9-10	Retaining Ring .....	1
4	106504	Lever - Lifting .....	1
5	121920	Retainer - Lifting Lever .....	1
6	SD-9-16	Self-Tapping Screw 1/4-20 x 3/4 Hex Hd., Type F .....	2
7	437479	Access Cover - Slide Rods .....	1
8	SD-37-77	Self-Tapping Screw 6-32 x 3/8 Truss Hd., Type T .....	4
9	106503	Knob - Lifting Lever .....	1
10	SC-10-32	Mach. Screw 8-32 x 3/8 Truss Hd. ....	4
11	274902	Panel - Side .....	1
12	437655	Cover - Electronics .....	1
13	SD-24-13	Self-Tapping Screw 8-32 x 3/8 Pan Hd., Type TT .....	7
14	290063	Bushing - Shifter Sleeve .....	1
15	RR-10-13	Retaining Ring .....	1
16	83681	Foot .....	4
17	SC-62-81	Cap Screw 5/16-18 x 7/8 Hex Hd. ....	4
18	WL-3-44	Lockwasher 3/16 Medium .....	4
19	290038-1	Sub-Base & Bushing Assy. (Incls. item 17) .....	1
20	SD-24-19	Self-Tapping Screw 8-32 x 3/8 Truss Hd., Type TT .....	2
21	70238	Cover - Bearing Bracket .....	1
	106505	Lever & Foot Assy. (Incls. items 1 thru 4 & 9) .....	1



**KNIFE UNIT**  
**(ML-104029, ML-104030 & ML-104031)**

**KNIFE ASSY.  
(ML-104029, ML-104030, & ML-104031)**

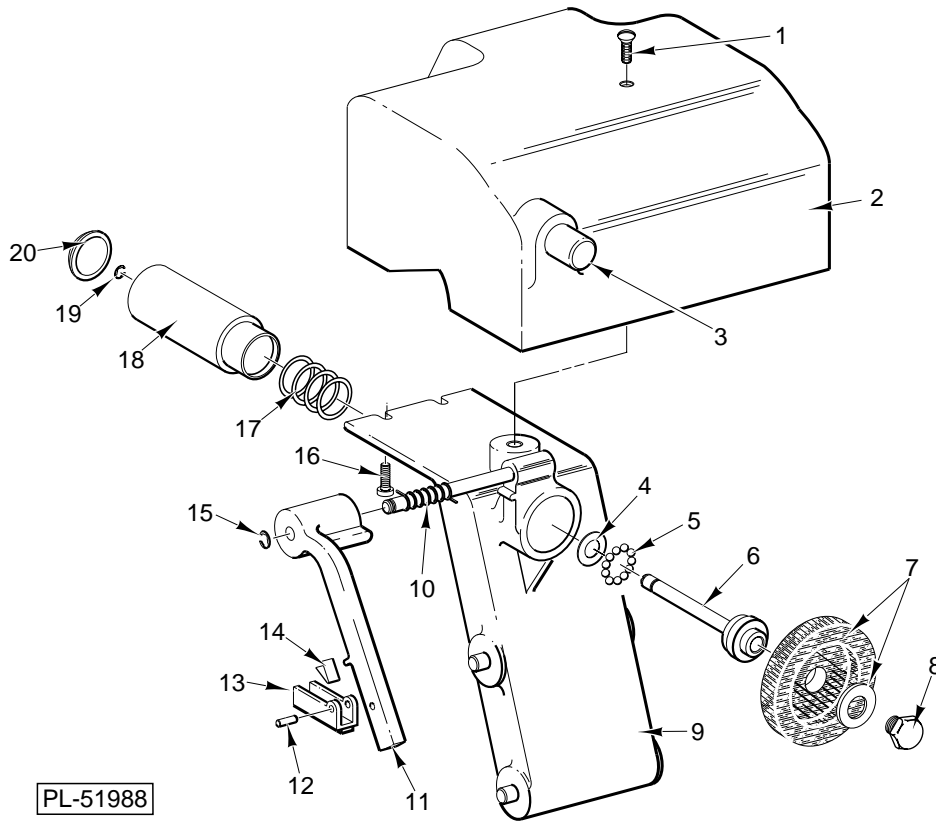
ILLUS. PL-51986	PART NO.	NAME OF PART	AMT.
1	437879	Knob - Top Cover Locking .....	1
2	437994	Spring - Top Cover .....	1
3	437880	Stud - Top Cover Locking .....	1
4	111154	Ring - Knife Shaft .....	1
5	BB-15-8	Ball Bearing MRC 105KSZZ-01-ST-A-92-C .....	1
6	435785	Knife Shaft & Dowel .....	1
7	BB-15-8	Ball Bearing MRC 105KSZZ-01-ST-A-92-C .....	1
8	274908-2	Gear - Knife Shaft Worm (24T)(1712E & 1712RE) .....	1
9	274908-1	Gear - Knife Shaft Worm (25T)(1612E) .....	1
10	KW-3-10	Key - 606 Woodruff .....	1
11	WS-11-46	Washer .....	1
12	NS-46-29	Lock Nut 3/4-16 Flexlox .....	1
13	437575	Worm (5T)(1712E & 1712RE)(Use with item 8) .....	1
14	294193	Worm (4T)(1612E)(Use with item 9) .....	1
15	12430-3	Key 1/8 Sq. x 1 1/8 Lg. ....	1
16	70239	Conveyor - Oil .....	1
17	274759	Retainer - Washer .....	1
18	274760-1	Washer - Shock (4 1/64 I.D.) .....	1
19	WS-7-50	Washer .....	1
20	437113	Washer - Special .....	1
21	NS-32-23	Lock Nut 7/16-20 "Flexloc" .....	1
22	437422	Top Knife Cover Assy. (Packaged) .....	1
23	439870-1	Knife - Service .....	1
24	SD-37-44	Self-Tapping Screw 1/4-20 x 1 5/8 Pan Hd., Type TT .....	4
25	WS-22-8	Washer .....	2
26	435401	Spacer - Deflector Mounting .....	2
27	SC-64-4	Set Screw 1/4-28 x 3/8 Hdls., Flat Pt. "Nylok" .....	1
28	73356-2	Screw - Knife (Incls. items 27 & 29) .....	1
29	73265	Plug - Plate Thrust .....	1
30	SC-122-53	Mach. Screw 4-40 x 5/8 Phil. Pan Hd. ....	1



**KNIFE UNIT  
(ML-104546, ML-104547 & ML-104548)**

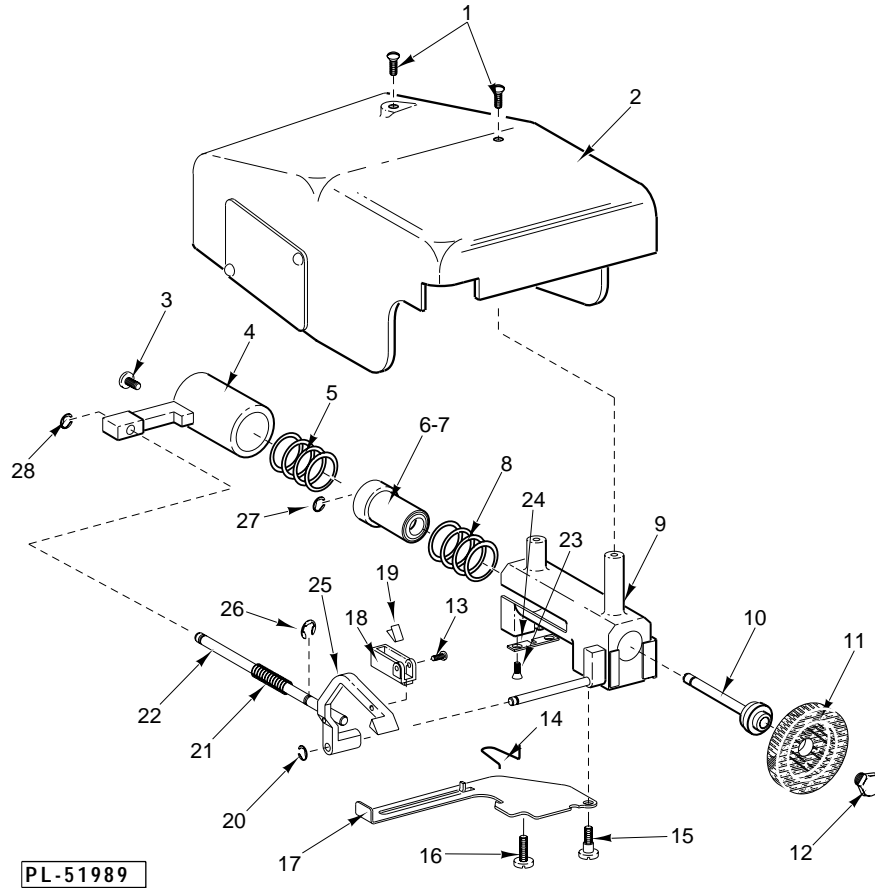
**KNIFE ASSY.  
(ML-104546, ML-104547 & ML-104548)**

ILLUS. PL-51987	PART NO.	NAME OF PART	AMT.
1	WL-3-12	Lockwasher 8 Medium .....	1
2	437879	Knob - Top Cover Locking .....	1
3	437994	Spring - Top Cover .....	1
4	437880	Stud - Top Cover Locking .....	1
5	SC-119-55	Mach. Screw 10-24 x 1 Pan Hd. ....	4
6	438455	Shoulder Bolt .....	1
7	438448	Cam Roller & Rivet Assy. ....	1
8	SC-122-86	Mach. Screw "Special" 6-32 x 5/8 Pan Hd. ....	1
9	438423	Handle - Cam .....	4
10	438420	Knob .....	2
11	111154	Ring - Knife Shaft .....	1
12	BB-15-8	Ball Bearing MRC 105KSZZ-01-ST-A-92-C .....	1
13	439697-3	Knife Shaft Guard Ring & Hub (1612E)(Incls. items 12, 16, 18 thru 21 & 31) .....	1
14	439697-4	Knife Shaft Guard Ring & Hub (1712E/1712RE)(Incls. items 12, 16, 17, 19, 20, 21 & 31) .....	1
15	435785	Knife Shaft & Dowel .....	1
16	BB-15-8	Ball Bearing MRC 105KSZZ-01-ST-A-92-C .....	1
17	274908-2	Gear - Knife Shaft Worm (24T)(1712E & 1712RE) .....	1
18	274908-1	Gear - Knife Shaft Worm (25T)(1612E) .....	1
19	KW-3-10	Key - 606 Woodruff .....	1
20	WS-11-46	Washer .....	1
21	NS-46-29	Lock Nut 3/4-16 Flexlox .....	1
22	437575	Worm (5T)(1712E & 1712RE)(Use with item 13) .....	1
23	294193	Worm (4T)(1612E)(Use with item 14) .....	1
24	12430-3	Key 1/8 Sq. x 1 1/8 Lg. ....	1
25	70239	Conveyor - Oil .....	1
26	274759	Retainer - Washer .....	1
27	274760-1	Washer - Shock (4 1/64 I.D.) .....	1
28	WS-7-50	Washer .....	1
29	437113	Washer - Special .....	1
30	NS-32-23	Lock Nut 7/16-20 "Flexloc" .....	1
31	439696-2	Pin & Ring Guard Assy. (Incls. items 5 thru 10) .....	1
32	437422	Top Knife Cover Assy. (Packaged)(Incls. items 1 thru 4 & 40) .....	1
33	439870-1	Knife - Service .....	1
34	SD-37-44	Self-Tapping Screw 1/4-20 x 1 5/8 Pan Hd., Type TT .....	4
35	WS-22-8	Washer .....	2
36	435401	Spacer - Deflector Mounting .....	2
37	73265	Plug - Plate Thrust .....	1
38	73356-2	Screw - Knife (Incls. items 37 & 39) .....	1
39	SC-64-4	Set Screw 1/4-28 x 3/8 Hdls., Flat Pt. "Nylok" .....	1
40	SC-122-53	Mach. Screw 4-40 x 5/8 Phil. Pan Hd. ....	1



**KNIFE SHARPENER UNIT  
(ML-104029, ML-104030 & ML-104031)**

ILLUS. PL-51988	PART NO.	NAME OF PART	AMT.
1	SC-122-31	Mach. Screw 8-32 x 7/16 Phil. Oval Hd. ....	1
2	435081	Top Cover - Sharpener .....	1
3	274934	Button - Truing Arm .....	1
4	119871	Spacer - Grinding Wheel Shaft .....	1
5	BA-2-1	Ball 1/8 Dia. ....	11
6	270503	Shaft - Grinding Wheel .....	1
7	437847	Stone Service Kit (Incls. Grinding Wheel) .....	1
8	435814	Retaining Screw (R.H.) .....	1
9	274933	Body - Sharpener & Pins .....	1
10	437384	Spring - Truing Arm .....	1
11	274929	Arm - Truing .....	1
12	PG-7-40	Groove Pin 1/16 .....	1
13	119882	Holder & Truing Stone Assy .....	1
14	435324	Spring - Truing Stone .....	1
15	RR-6-22	Retaining Ring .....	1
16	SD-15-40	Self-Tapping Screw 8-32 x 3/8 Phil Pan Hd., Type TT .....	2
17	119867	Spring - Compression .....	1
18	270501	Sleeve - Sharpener .....	1
19	RR-11-4	Retaining Ring .....	1
20	69585-1	Plug Button .....	1
	274926	Sharpener Assy. (Incls. items 1 thru 6, 8 thru 20 & Grinding Wheel) .....	1
	437848	Sharpener Kit (Incls. Grinding Wheel) .....	1

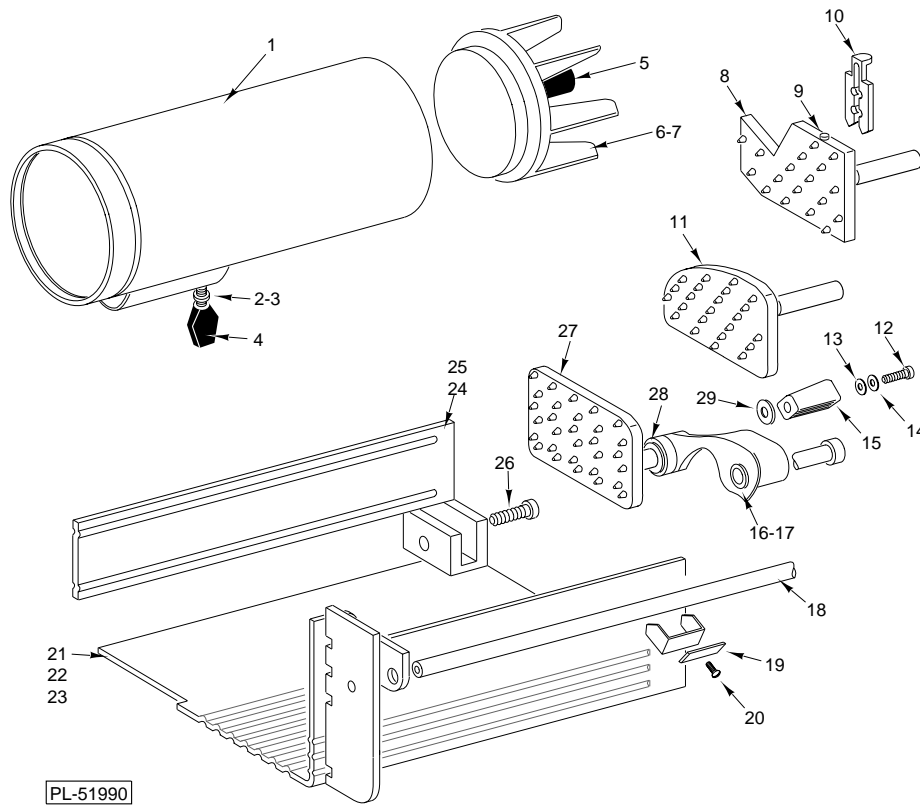


PL-51989

**KNIFE SHARPENER UNIT  
(ML-104546, ML-104547 & ML-104548)**

ILLUS. PL-51989	PART NO.	NAME OF PART	AMT.
1	SC-122-93	Mach. Screw "Special" 10-24 x 1/2 Phil. Truss Hd. ....	2
2	438459-1	Plate & Cover Assy. ....	1
3	SC-122-87	Mach. Screw "Special" 8-32 x 1/4 Pan Hd. ....	1
4	438428-2	Actuator ....	1
5	438430	Spring - Main ....	1
6	438464	Plunger & Ball Bearing Assy. (Incls. item 7) ....	1
7	BB-21-36	Ball Bearing NSK R4BDD ....	2
8	438437	Spring - Return ....	1
9	438449	Housing & Stud Assy. ....	1
10	438417	Shaft - Grinding Wheel ....	1
11	439691	Stone Service Kit ....	1
12	435814	Retaining Screw (R.H.) ....	1
13	SC-122-84	Mach. Screw "Special" 2-56 x 3/16 Pan Hd. ....	1
14	438435	Spring - "U" (Long End Inserted Into Housing) ....	1
15	438442	Screw - Shoulder "Special" ....	1
16	SC-122-87	Mach. Screw "Special" 8-32 x 1/4 Pan Hd. ....	1
17	439698	Lever - Locking ....	1
18	438466	Stone - Truing ....	1
19	435324	Spring - Truing Stone ....	2
20	RR-6-22	Retaining Ring ....	1
21	438426	Spring - Truing Arm ....	1
22	438443	Rod - Truing Arm Pusher ....	1
23	SC-122-85	Mach. Screw "Special" 4-40 x 1/4 Flat Hd. ....	2
24	439700	Plate - Rear Locking ....	1
25	438445	Arm - Truing & Pusher Rod Assy. (Incls. items 22, Stud & Truing Arm) ....	1
26	RR-6-3	Retaining Ring ....	1

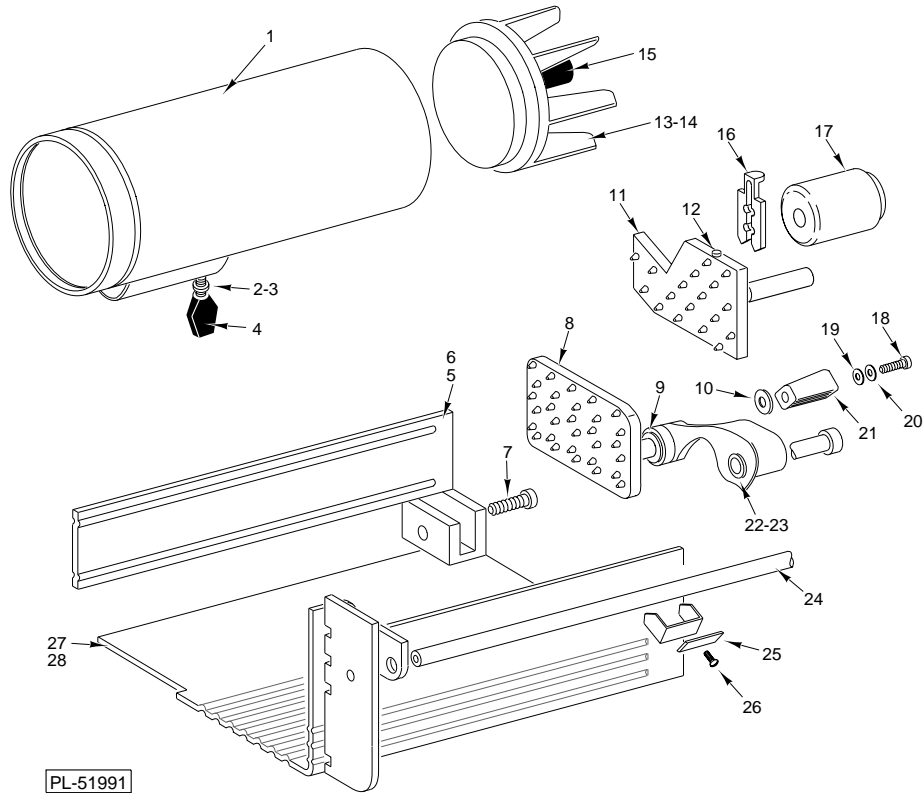
1612E, 1712E AND 1712RE SLICER REPLACEMENT PARTS



1612E CARRIAGE TRAY

ILLUS. PL-51990	PART NO.	NAME OF PART	AMT.
1	118332-1	Tube & Angled Seat Assy .....	1
2	RR-11-60	Retaining Ring .....	1
3	107364-2	Washer - Belleville .....	1
4	108197-5	Thumb Screw .....	1
5	70194	Handle - Gauge Plate .....	1
6	75930	Plate - Pusher .....	1
7	75945	Pusher Plate & Handle Assy. (Incls. items 5 & 6) .....	1
8	438176	Meat Grip Assy. (Heavy)(Packaged)(Incls. items 9 & 10) .....	1
9	70360-1	Button - Plastic .....	5
10	70341	Meat Holder - Meat Grip (Use with item 8) .....	2
11	438175	Meat Grip Assy. (Light Weight)(Packaged) .....	1
12	68042	Screw - Truss Hd. "Nylok" .....	1
13	70344	Washer - Handle Tension .....	1
14	70345	Washer - Handle Retaining .....	1
15	70202	Handle - Meat Grip (Non-Metallic) .....	1
16	437124	Bearing - Meat Grip Arm .....	2
17	WS-21-19	Washer .....	AR
18	435949	Shaft - Knob Assy. ....	1
19	72579	Clip - Meat Grip Retaining .....	1
20	SC-8-9	Mach. Screw 10-24 x 3/8 Rd. Hd. ....	2
21	437115-1	Carriage Tray Assy. (SST) .....	1
22	437119-6	Carriage Tray Assy. (1612)(Incls. items 2,3,12 thru 15,17,19,20,21,27,28 & 29) .....	1
23	437119-7	Carriage Tray Assy. (1712)(Incls. items 2,3,4,12 thru 15,17,19,20,21,27,28 & 29) .....	1
24	295118	Fence & Thumb Screw Assy. (Packaged)(SST)(Incls. item 26) .....	1
25	295117	High Fence & Thumb Screw Assy. (Horizontal Carriage Tray)(SST)(Incls. item 26) .....	1
26	290984	Thumb Screw - Fence .....	1
27	437908	Meat Grip Assy. (Standard) .....	1
28	438280	Bushing .....	1
29	437006	Washer - Handle .....	1
	ML-31329-Z	Food Chute Attachment Assy. (Incls. items 1 & 3 thru 6) .....	1
	437912-1	Meat Grip Assy. & Arm Assy. (Incls. items 12 thru 15, 27, 28 & 29) .....	1

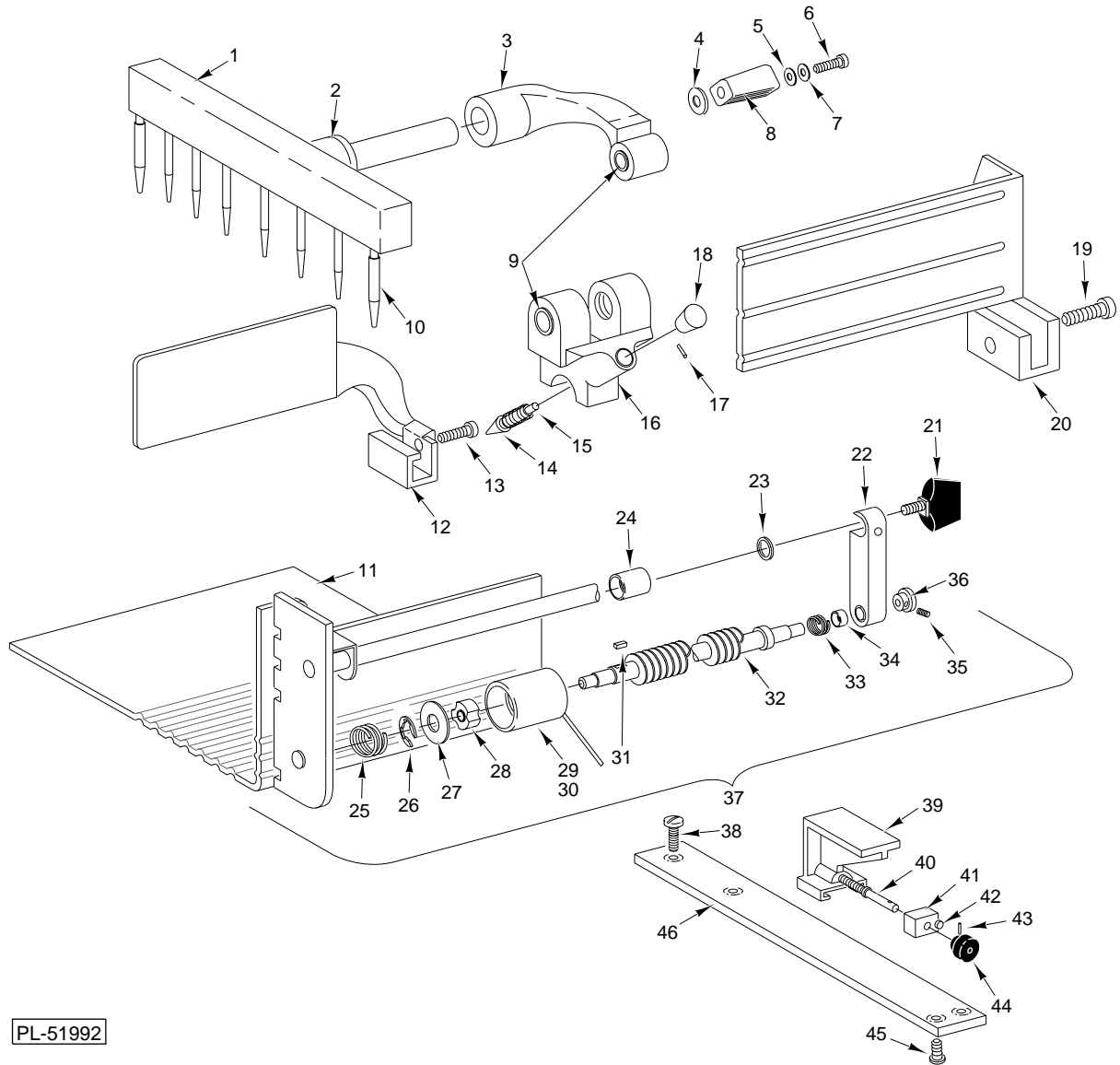




PL-51991

**1712E CARRIAGE TRAY**

ILLUS. PL-51991	PART NO.	NAME OF PART	AMT.
1	118332-1	Tube & Angled Seat Assy .....	1
2	RR-11-60	Retaining Ring .....	1
3	107364-2	Washer - Belleville .....	1
4	108197-5	Thumb Screw .....	1
5	295118	Fence & Thumb Screw Assy. (Packaged)(SST)(Incls. item 7) .....	1
6	295117	High Fence & Thumb Screw Assy. (Horizontal Carriage Tray)(SST)(Incls. item 7) .....	1
7	290984	Thumb Screw - Fence .....	1
8	437908	Meat Grip Assy. (Standard) .....	1
9	438280	Bushing .....	1
10	437006	Washer - Handle .....	1
11	438176	Meat Grip Assy. (Heavy)(Packaged)(Incls. items 12 & 16) .....	1
12	70360-1	Button - Plastic .....	5
13	75930	Plate - Pusher .....	1
14	75945	Pusher Plate & Handle Assy. (Incls. items 13 & 15) .....	1
15	70194	Handle - Gauge Plate .....	1
16	70341	Meat Holder - Meat Grip (Use with item 11) .....	2
17	438177	Handle - Meat Grip (Heavy)(Packaged) .....	1
18	68042	Screw - Truss Hd. "Nylok" .....	1
19	70344	Washer - Handle Tension .....	1
20	70345	Washer - Handle Retaining .....	1
21	70202	Handle - Meat Grip (Non-Metallic) .....	1
22	437124	Bearing - Meat Grip Arm .....	2
23	WS-21-19	Washer .....	AR
24	435949	Shaft - Knob Assy. ....	1
25	72579	Clip - Meat Grip Retaining .....	1
26	SC-8-9	Mach. Screw 10-24 x 3/8 Rd. Hd. ....	2
27	437115-1	Carriage Tray Assy. (SST) .....	1
28	437116	Horizontal Carriage Tray & Slide Rod Assy.(SST) .....	1
	437912-1	Meat Grip Assy. & Arm Assy. (Incls. items 8, 9, 10 & 18 thru 22) .....	1
	ML-31329-Z	Food Chute Attachment Assy. (Incls. items 1, 3, 4, 13 & 15) .....	1
	437120	Horizontal Carriage Tray, Grip & Arm (Incls. items 2, 3, 4, 23, 25, 26 & 28) .....	1

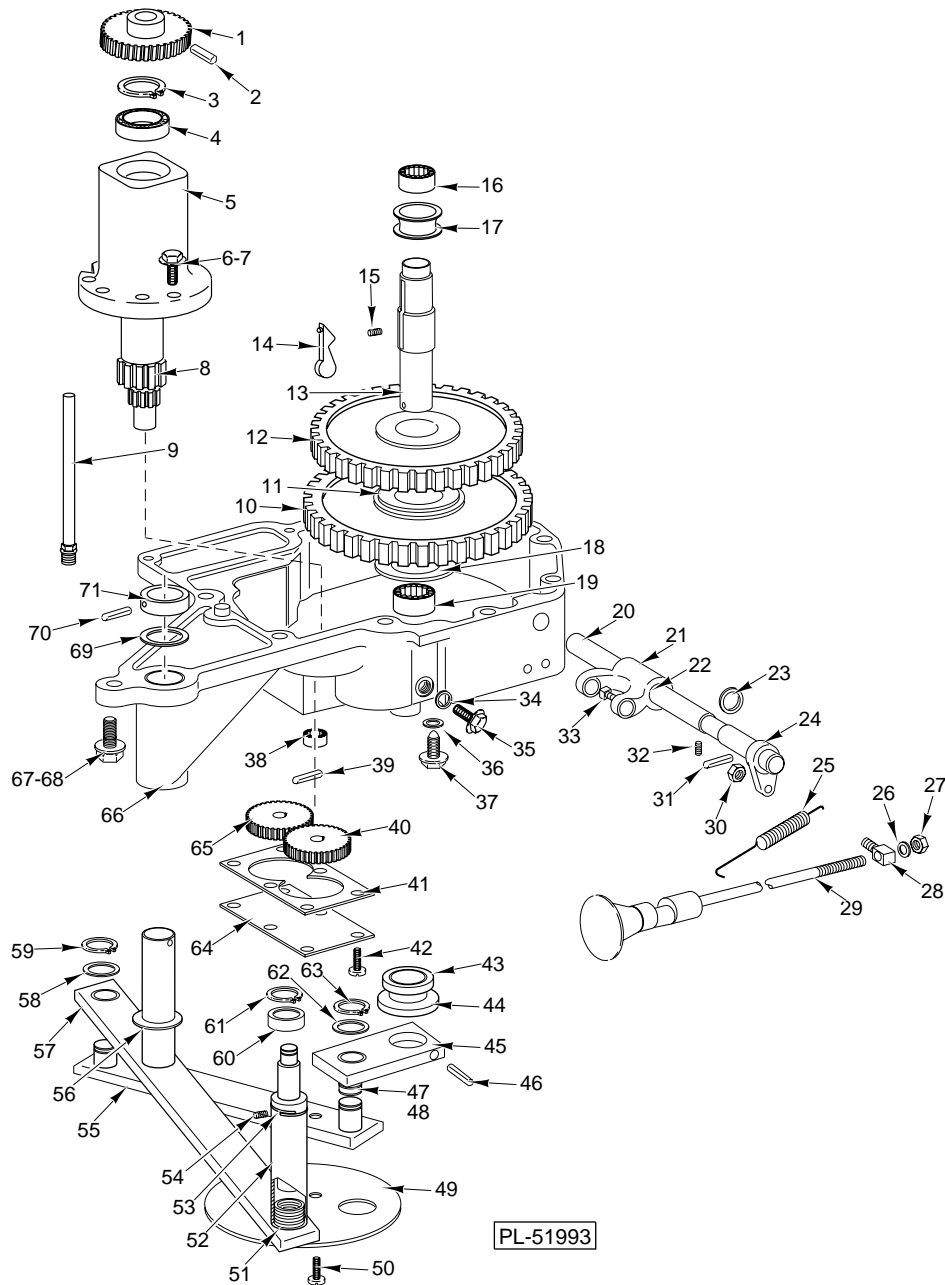


PL-51992

### 1712RE CARRIAGE TRAY

## 1712RE CARRIAGE TRAY

ILLUS. PL-51992	PART NO.	NAME OF PART	AMT.
1	105134-2	Meat Grip Assy. (Incls. item 10) .....	1
2	438280	Bushing .....	1
3	437164-2	Meat Grip Arm & Bearing Assy. (Incls. item 9) .....	1
4	437006	Washer - Handle .....	1
5	70344	Washer - Handle Tension .....	1
6	68042	Screw - Truss Hd. "Nylok" .....	1
7	70345	Washer - Handle Retaining .....	1
8	70202	Handle - Meat Grip (Non-Metallic) .....	1
9	437124	Bearing - Meat Grip Arm .....	4
10	291665	Cover - Meat Grip Pin .....	2
11	290973	Carriage Tray & Slide Rod Assy. ....	1
12	295117	High Fence & Thumb Screw Assy. (Packaged)(Incls. item 13) .....	1
13	290984	Thumb Screw - Fence .....	1
14	105067	Plunger - Feed Screw .....	1
15	105065	Spring - Plunger .....	1
16	114912	Plunger Housing Assy. (Incls. items 9, 14, 15, 17 & 18) .....	1
17	PG-7-44	Groov Pin - Type E, $\frac{3}{32}$ x $\frac{7}{16}$ .....	1
18	116491	Knob - Plunger .....	1
19	290984	Thumb Screw - Fence .....	1
20	295117	High Fence & Thumb Screw Assy. (Packaged)(Incls. item 19) .....	1
21	108197-9	Thumb Screw .....	1
22	105240	Feed Screw Latch & Bushing Assy. ....	1
23	WS-21-19	Washer .....	1
24	436902	Spacer - Feed Screw .....	1
25	105064	Spring - Clutch Housing .....	1
26	RR-4-5	Retaining Ring .....	1
27	105068	Washer - Clutch Housing .....	1
28	105073	Clutch - Special .....	2
29	290965	Clutch Housing Assy. ....	1
30	105057	Bushing .....	1
31	105393	Key .....	1
32	436903	Screw - Feed .....	1
33	105063	Spring - Feed Screw .....	1
34	105066	Cage - Spring .....	4
35	SC-55-2	Set Screw $\frac{1}{4}$ -20 x $\frac{1}{4}$ Hdls., Kn. Cup Pt. ....	2
36	291342	Knob - Feed Screw .....	2
37	437383	Tray - Horizontal (Incls. items 11, 16, 21 thru 29 & 31 thru 36) .....	1
38	SC-22-39	Mach. Screw $\frac{1}{4}$ -20 x $\frac{5}{8}$ Flat Hd. ....	1
39	105186	Block - Actuating .....	1
40	105071	Screw - Adjusting .....	1
41	105075	Retainer - Adjusting Screw .....	1
42	79686	Catch - Friction .....	1
43	RP-2-33	Roll Pin $\frac{3}{32}$ Dia. x 1 Lg. ....	1
44	105069	Knob - Adjusting Screw .....	1
45	SC-22-19	Mach. Screw 10-24 x $\frac{1}{2}$ Flat Hd. ....	2
46	291343-1	Slide Plate - Actuating Block .....	1
	105078	Slide Plate Knob & Adjusting Screw Assy. (Incls. items 39 thru 46) .....	1
	105582-2	Meat Grip Arm & Handle Assy. (Incls. items 1 thru 8) .....	1

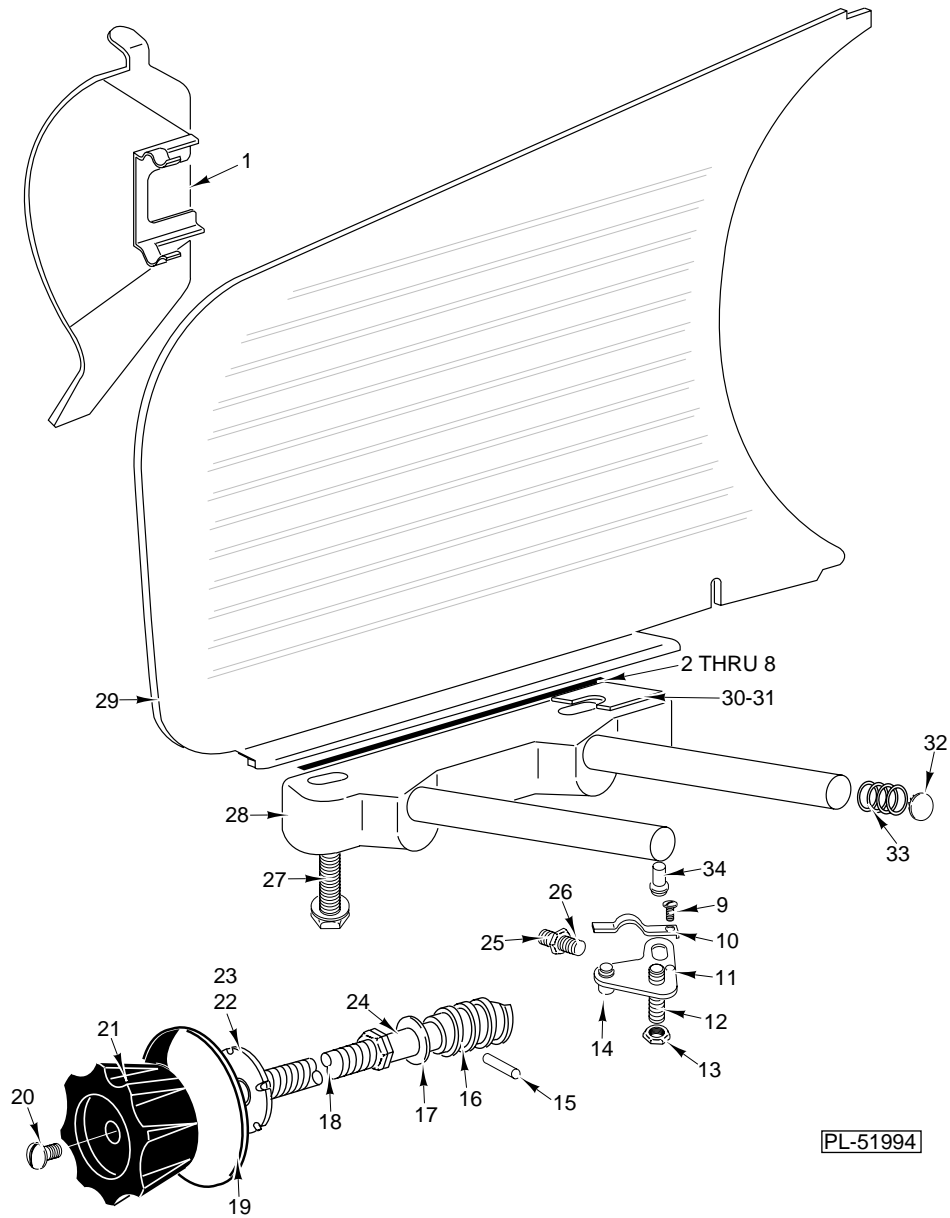


**1712E/1712RE GEAR CASE**

ILLUS. PL-51993	PART NO.	NAME OF PART	AMT.
	1	Gear - Worm (29T) .....	1
	2	Roll Pin $\frac{3}{16}$ Dia. x 1 $\frac{1}{8}$ Lg .....	1
	3	Retaining Ring .....	1
	4	Ball Bearing - N.D. #3L03 .....	1
	5	Carrier - Pinion Shaft Bearing .....	1

REPLACEMENT PARTS 1612E, 1712E AND 1712RE SLICER

6	SC-36-6	Cap Screw ¼-20 x 1 Hex Hd. ....	3
7	WL-3-37	Lockwasher ¼ Medium .....	3
8	72716	Shaft - Pinion (19T & 14T) .....	1
9	70248	Fitting & Oil Tube Assy .....	1
10	72715	Gear - Driven (119T) (Low Speed) .....	1
11	70274	Collar - Diving Key .....	1
12	70170	Gear - Driven (114T)(High Speed) .....	1
13	293036	Shaft - Crank Arm Drive .....	1
14	435543	Key - Diving .....	1
15	70308	Spring - Diving Key .....	1
16	BN-2-14	Needle Bearing (Torrington #M-881) .....	1
17	61656	Sleeve - Clutch Shifter .....	1
18	70281	Washer - Gear Thrust .....	1
19	BN-2-15	Needle Bearing (Torrington #B-126) .....	1
20	70267	Shaft - Shifter .....	1
21	61654	Yoke - Shifter .....	1
22	12430-3	Key ¼ Sq. x 1 ½ Lg. ....	1
23	67500-2	"O" Ring .....	1
24	70296	Bracket - Shifter .....	1
25	70285	Spring - Shifter Mech. ....	1
26	WL-8-13	Lockwasher 10 Internal Shakeproof .....	2
27	NS-9-30	Mach. Nut 10-32 Hex .....	2
28	70286	Knuckle - Shifter .....	1
29	70446	Shift Rod, Selector & Knob Assy .....	1
30	NS-32-1	Stop Nut 10-24 "Flexloc" .....	1
31	RP-2-28	Roll Pin ¼ Dia. x ¾ Lg. ....	1
32	SC-63-14	Set Screw 8-32 x ¼ Hdls., Flat Pt. ....	1
33	61655	Shoe - Shifter .....	2
34	WS-21-20	Washer .....	1
35	64465-3	Plug - Oil Fill .....	1
36	WS-21-21	Washer .....	1
37	SC-62-68	Cap Screw ½-20 x ¾ Hex Hd. ....	1
38	BN-2-13	Needle Bearing (Torrington #B-86) .....	1
39	11800-200	Dowel .....	1
40	70243	Gear - Oil Pump Drive (27T) .....	1
41	70244	Gasket - Bottom Cover .....	1
42	SC-14-76	Mach. Screw 10-24 x ¾ Flat Hd. ....	6
43	70442	Seal - Drive Shaft .....	1
44	70290	Washer - Crank Arm Thrust .....	1
45	123889	Arm & Bearing Assy .....	1
46	RP-2-46	Roll Pin ¼ Dia. x 1 ¼ Lg. ....	1
47	WS-8-9	Washer .....	2
48	WS-8-8	Washer .....	1
49	103915	Cover Plate - Connecting Rod .....	2
50	SC-9-28	Mach. Screw 10-24 x ¾ Rd. Hd. ....	2
51	70307	Spring - Engaging Mech. ....	1
52	70295	Shaft - Engaging Mech. ....	1
53	70396	Ring - Stop Retaining .....	1
54	70324	Stop - Engaging Mech. Shaft .....	1
55	70268	Connecting Rod Assy .....	1
56	70283	Washer - Thrust .....	1
57	70259	Engaging Arm Assy .....	1
58	WS-7-21	Washer .....	1
59	RR-4-17	Retaining Ring .....	1
60	70303	Roller - Engaging Mech. ....	1
61	RR-4-3	Retaining Ring .....	1
62	WS-7-21	Washer .....	1
63	RR-4-17	Retaining Ring .....	1
64	70234	Cover - Gear Pump Bottom .....	1
65	70242	Gear - Oil Pump Idler (27T) .....	1
66	124640-1	Gear Case, Bearing & Dowel Assy. (Incls. items 19 & 43) .....	1
67	SD-33-8	Self-Tapping Screw ⅝-18 x 1 Hex Washer Hd., Type TT .....	4
68	SD-33-9	Self-Tapping Screw ⅝-18 x 3 Hex Washer Hd., Type TT .....	7
69	70283	Washer - Thrust .....	1
70	RP-3-12	Roll Pin ½ Dia. x 1 ¼ Lg. ....	1
71	70275	Collar - Pivot Shaft Thrust .....	1
	72714	Bearing, Carrier, Pinion Shaft & Gear Assy. (Incls. items 1 thru 5 & 8) .....	1
	106933	Drive Shaft Assy. (Incls. items 13, 14, 15 & 17) .....	1



**GAUGE PLATE & INDEXING MECHANISM**

### GAUGE PLATE & INDEXING MECHANISM

ILLUS. PL-51994	PART NO.	NAME OF PART	AMT.
1	274911	Deflector .....	1
2	122559-1	Shim .0075 Thk. ....	AR
3	122559-2	Shim .010 Thk. ....	AR
4	122559-3	Shim .0125 Thk. ....	AR
5	122573-1	Shim .002 Thk. ....	AR
6	122573-2	Shim .003 Thk. ....	AR
7	122573-3	Shim .004 Thk. ....	AR
8	122573-4	Shim .005 Thk. ....	AR
9	SC-8-14	Mach. Screw 10-32 x $\frac{3}{16}$ Rd. Hd. ....	1
10	437212	Spring - Indexing Plate .....	1
11	437213	Indexing Plate Assy. (Incls. items 9, 10, 12 & 14) .....	1
12	291569	Stud - Collar Assy. ....	1
13	NS-32-12	Stop Nut $\frac{5}{16}$ -18 "Flexloc" .....	1
14	70342	Roller - Indexing .....	1
15	RP-3-1	Roll Pin $\frac{5}{32}$ Dia. x $\frac{5}{8}$ Lg. ....	1
16	87495	Worm - Indexing .....	1
17	88298	Washer - Belleville .....	2
18	10928-2	Nut - Special .....	2
19	118175	Dial Assy. ....	1
20	SC-23-10	Mach. Screw 10-24 x $\frac{3}{4}$ Oval Hd. ....	1
21	114214	Cap - Index Knob .....	1
22	76948	Disc. - Indexing Drive .....	1
23	RP-2-40	Roll Pin $\frac{3}{32}$ Dia. x $\frac{3}{4}$ Lg. ....	1
24	87494	Shaft - Indexing .....	1
25	NS-17-1	Jam Nut $\frac{1}{4}$ -20 Hex .....	1
26	SC-63-28	Set Screw $\frac{1}{4}$ -20 x 1 Hdls., Flat Pt. ....	1
27	112913	Screw - Special .....	2
28	274989	Gauge Plate Support & Slide Rod Assy. ....	1
29	124768	Gauge Plate Unit .....	1
30	291171-1	Spacer - Gauge Plate Sprocket (.003 Thk.) .....	AR
31	291171-2	Spacer - Gauge Plate Sprocket (.005 Thk.) .....	AR
32	76952	Plug - Expansion .....	1
33	274906	Spring - Gage Plate .....	1
34	70343	Roller - Indexing Plate (Straight) .....	1
	87493	Indexing Shaft & Worm Assy. (Incls. items 15, 16 & 24) .....	1

