



CATALOG OF REPLACEMENT PARTS

MODEL 2000 SERIES SLICER



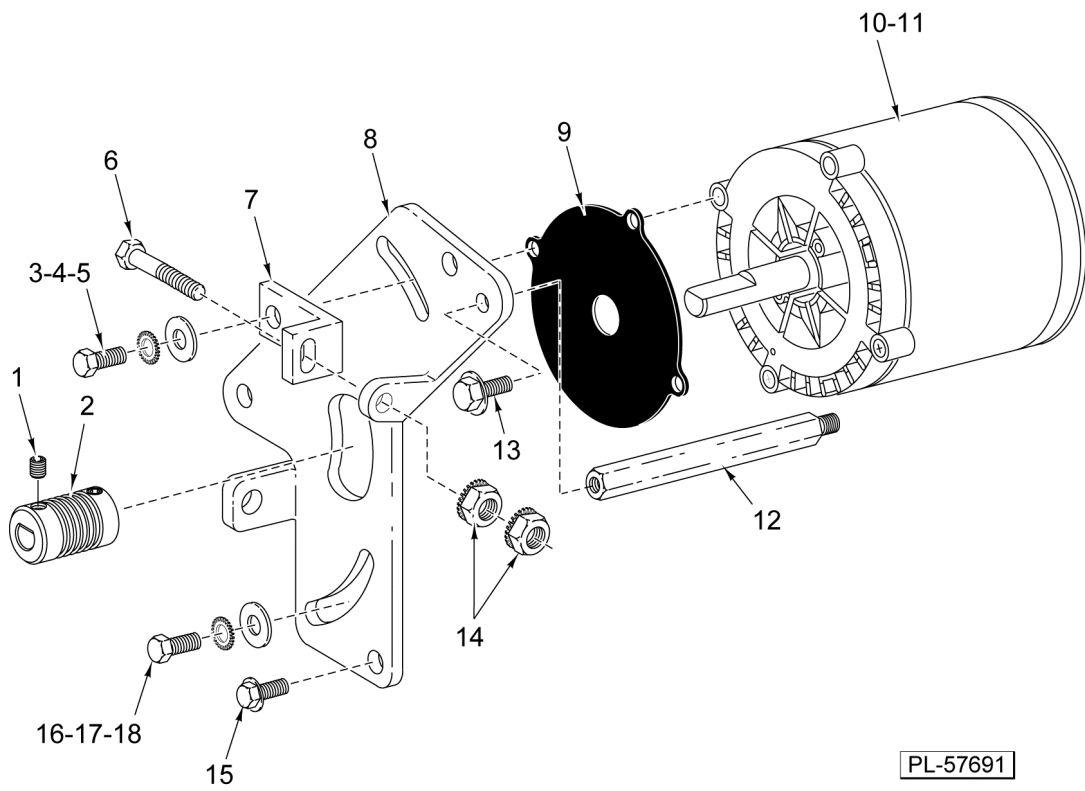
2612	ML-134231
2612C	ML-134233
2612GC	ML-136100
2612PHS	ML-134234
2712	ML-134235
2712C	ML-134237
2712PHS	ML-134238
2812	ML-104616
2812	ML-104617
2812	ML-136164
2812	ML-136167
2812	ML-136168
2812PS	ML-136169
2912	ML-104996
2912	ML-136189
2912	ML-136153
2912	ML-136154
2912B	ML-136251
2912C	ML-136174
2912PS	ML-136175

PRIOR MLS COVERED IN THIS MANUAL

2612	ML-104952	2812ALB	ML-134243
2612C	ML-104954	2812C	ML-134244
2612PHS	ML-104968	2812CB	ML-136141
2712	ML-104822	2912	ML-134245
2812	ML-134239	2912	ML-136111
2812	ML-136110	2912	ML-136113
2812	ML-136112	2912	ML-136188
2812PS	ML-134241	2912PS	ML-134247
2812PS	ML-136114	2912C	ML-134248

Table of Contents

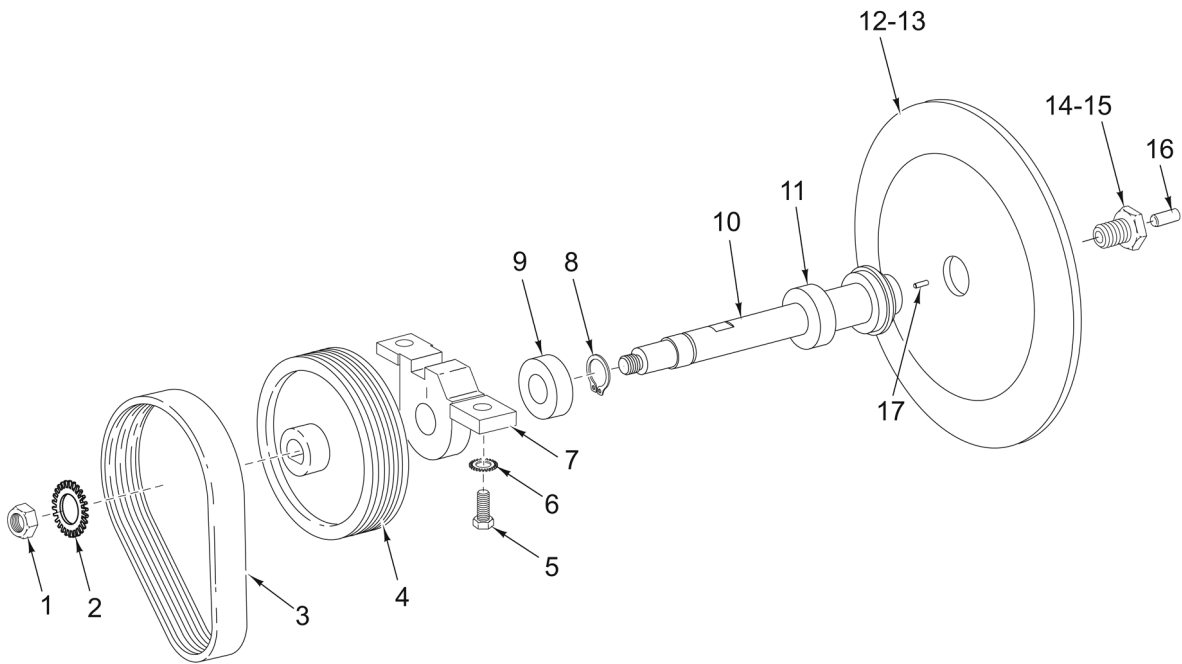
5	KNIFE DRIVE MOTOR
7	KNIFE SHAFT
9	TOP COVER AND LOCK KNOB
11	SCALE ASSEMBLY (2812PS & 2912PS SERIES)
13	DISPLAY TOWER ASSEMBLY (2812PS SERIES)
15	CARRIAGE TRAY
17	ACCESSORIES
19	GAUGE PLATE AND INDEX
21	KNIFE SHARPENER
23	ELECTRICAL UNIT
25	BASE UNIT (2612 & 2812 SERIES)
27	BASE UNIT (2712 & 2912 SERIES)
29	AUTOMATIC BASE UNIT
31	TRANSPORT CARRIER (2612 & 2712 SERIES)
33	TRANSPORT CARRIER (2812 & 2912 SERIES)
35	AUTOMATIC CARRIER UNIT
37	ELECTRICAL COVER ASSEMBLY (2712 & 2912 SERIES)
39	ELECTRICAL COVER ASSEMBLY (2912B, ML-134251)
41	ELECTRICAL COVER ASSEMBLY (2912PS, ML-134247 & ML-136175)
43	WIRING HARNESS (2712 SERIES)
45	WIRING HARNESS (2812 & 2812PS SERIES)
47	WIRING HARNESS (2912 ML-136111, ML-136113) (2912B ML-134251)
49	WIRING HARNESS (2912 ML-134245, ML-136111, ML136113) (2912C ML-134248)
51	WIRING HARNESS (2912PS, ML-134247)



KNIFE DRIVE MOTOR

KNIFE DRIVE MOTOR

ILLUS. PL-57691	PART NO.	NAME OF PART	AMT.
1	SC-123-65	Set Screw 1/4-28 x 3/8 Hex Hdls., Flat Pt. (SST).....	2
2	00-438844-00002	Sheave - Poly "V".....	1
3	SC-037-73	Cap Screw 3/8-16 x 1 Hex Hd.....	2
4	WL-007-25	Lockwasher 3/8 External.....	2
5	WS-018-22	Washer.....	2
6	SC-118-98	Cap Screw 1/4-20 x 2 Hex Hd.....	1
7	00-477532	Bracket - Tensioner Adjustment.....	1
8	00-477760	Plate - Motor.....	1
9	00-439032	Gasket - Motor.....	1
10	00-438846-00001	Motor (60 Hz.) (115/230 V.).....	1
11	00-438846-00002	Motor (50 Hz.) (115/230 V.).....	1
12	00-438984	Standoff.....	1
13	SC-041-01	Cap Screw 1/4-20 x 3/4 Hex Hd. (SST).....	1
14	NS-044-14	Nut 1/4-20 Hex KEPS.....	2
15	SD-038-18	Self-Tapping Screw 5/16-18 x 3/4 Hex Washer Hd., Type RL.....	3
16	SC-037-73	Cap Screw 3/8-16 x 1 Hex Hd.....	1
17	WL-007-25	Lockwasher 3/8 External.....	1
18	WS-018-22	Washer.....	1

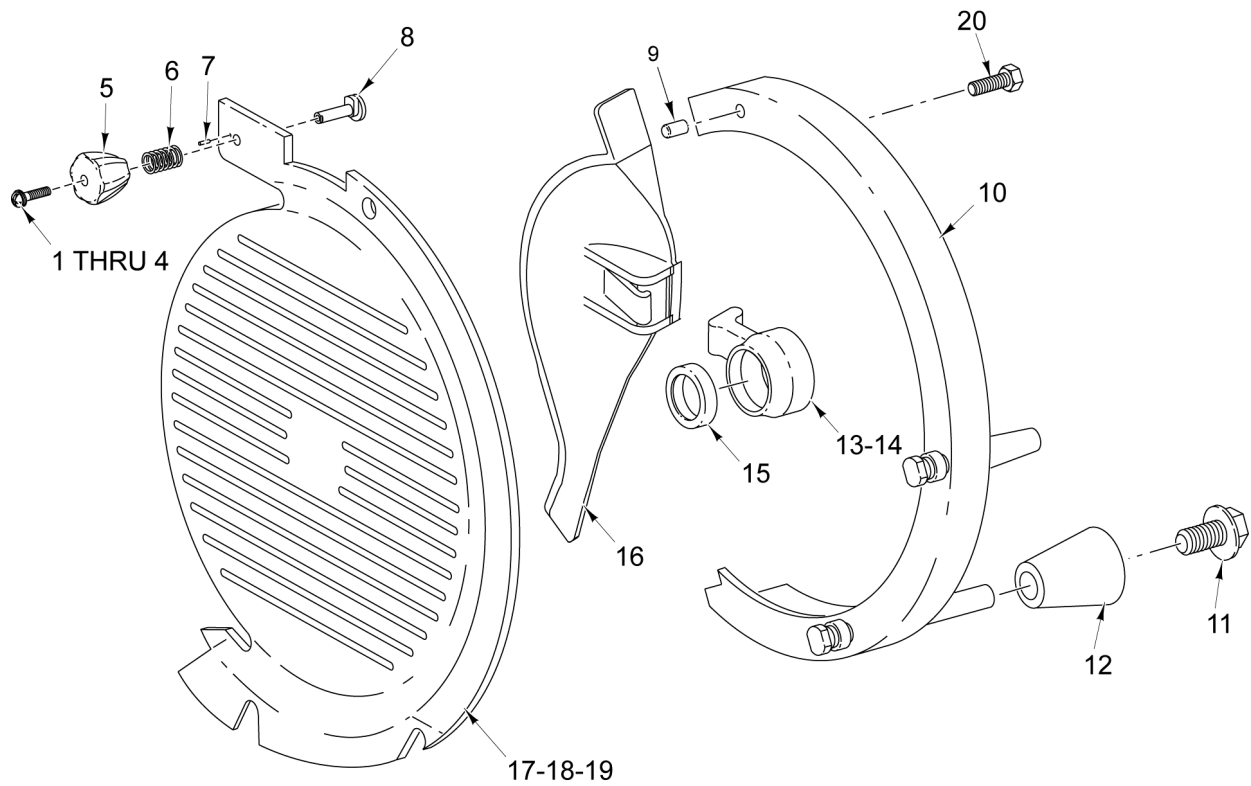


PL-57007

KNIFE SHAFT

KNIFE SHAFT

ILLUS. PL-57007	PART NO.	NAME OF PART	AMT.
1	NS-017-41	Jam Nut 5/8-18 Hex (SST).....	1
2	WL-004-17	Lockwasher 5/8 Light.....	1
3	00-438845	Belt - Poly "V".....	1
4	00-439049	Sheave - Poly "V" Large 6 Groove.....	1
5	SC-037-73	Cap Screw 3/8-16 x 1 Hex Hd.....	2
6	WL-007-25	Lockwasher 3/8 External.....	2
7	00-875180-00002	Retainer - Lower Hub & Bearing (Incls. Item 9).....	1
8	RR-009-07	Retaining Ring.....	1
9	BB-021-66	Bearing - Ball.....	1
10	00-438915-00002	Shaft - Knife (Incls. Item 11).....	1
11	BB-021-66	Bearing - Ball.....	1
12	00-439870-00005	Knife (Packaged).....	1
13	00-439870-00006	Knife (Packaged) (2912B).....	1
14	00-073356-00002	Screw - Knife (Incls. Items 15 & 16).....	1
15	SC-064-04	Set Screw 1/4-28 x 3/8 Hdls., Flat Pt. "Nylok".....	1
16	00-073265	Plug - Plate Thrust.....	1
17	PG-006-30	Pin - Grooved (1/4 In.).....	1

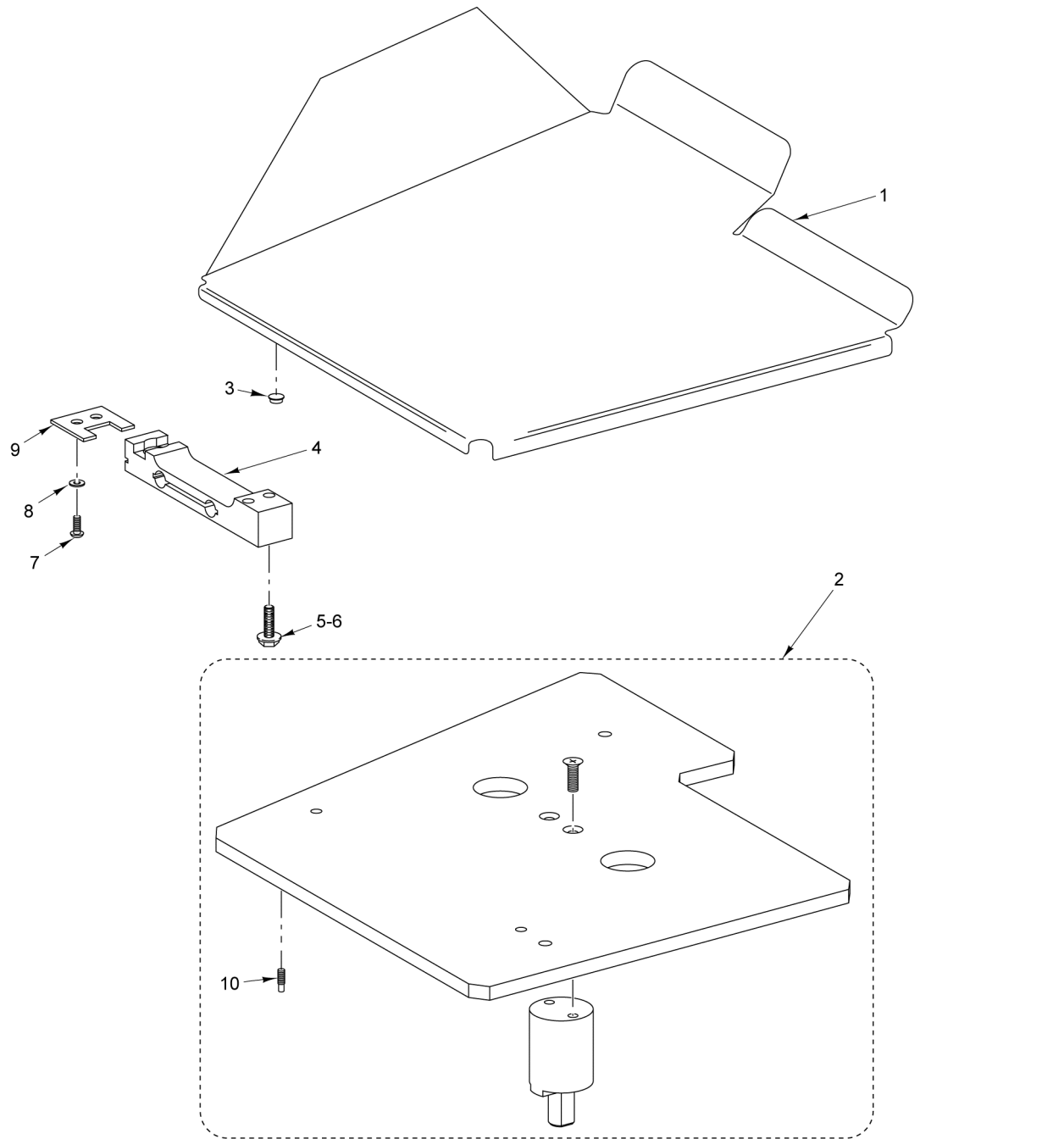


PL-57698

TOP COVER AND LOCK KNOB

TOP COVER AND LOCK KNOB

ILLUS. PL-57698	PART NO.	NAME OF PART	AMT.
1	SC-130-53	Mach. Screw 4-40 x 3/4 Tx. Button Hd. (Correctional).....	1
2	SC-122-53	Mach. Screw 4-40 x 5/8 Phil. Pan Hd. (SST).....	1
3	SC-126-35	Mach. Screw 4-40 x 5/8 Phil. Pan Hd. (2612PHS & 2712PHS).....	1
4	WL-013-02	Lockwasher #4 Internal Shakeproof (SST).....	1
5	00-915167	Knob - Locking Top Cover.....	1
6	00-437994	Spring - Top Cover.....	1
7	PG-011-30	Pin - Grooved (3/32) (SST).....	1
8	00-875265	Stud - Locking (Top Cover).....	1
9	PG-006-27	Pin - Grooved (1/4 In.).....	1
10	00-438920-00003	Guard Assy. - Knife Ring.....	1
11	SD-038-14	Self-Tapping Screw 1/4-20 x 7/8 Hex Washer Hd., Type RL (SST).....	2
12	00-875341	Ferrule - Ring Guard.....	2
13	00-875340	Mount - Deflector.....	1
14	SD-038-19	Self-Tapping Screw 8-18 x 3/8 Hex Washer Hd.....	3
15	00-875343	Knife Shaft Ring.....	1
16	00-875355	Deflector - Product.....	1
17	00-873784	Cover - Top & Lock Knob Assy. (Incls. Items 3 thru 8).....	1
18	00-873830-00006	Cover - Top & Lock Knob Assy. (Incls. Items 2 & 4 thru 8).....	1
19	00-873830-00007	Cover - Top & Lock Knob Assy. (Correctional) (Incls. Items 1 & 4 thru 8).....	1
20	SC-041-01	Cap Screw 1/4-20 x 3/4 Hex Hd. (SST).....	1



2812PS	ML-134241	2912PS	ML-134247
2812PS	ML-136114	2912PS	ML-136175
2812PS	ML-136169		

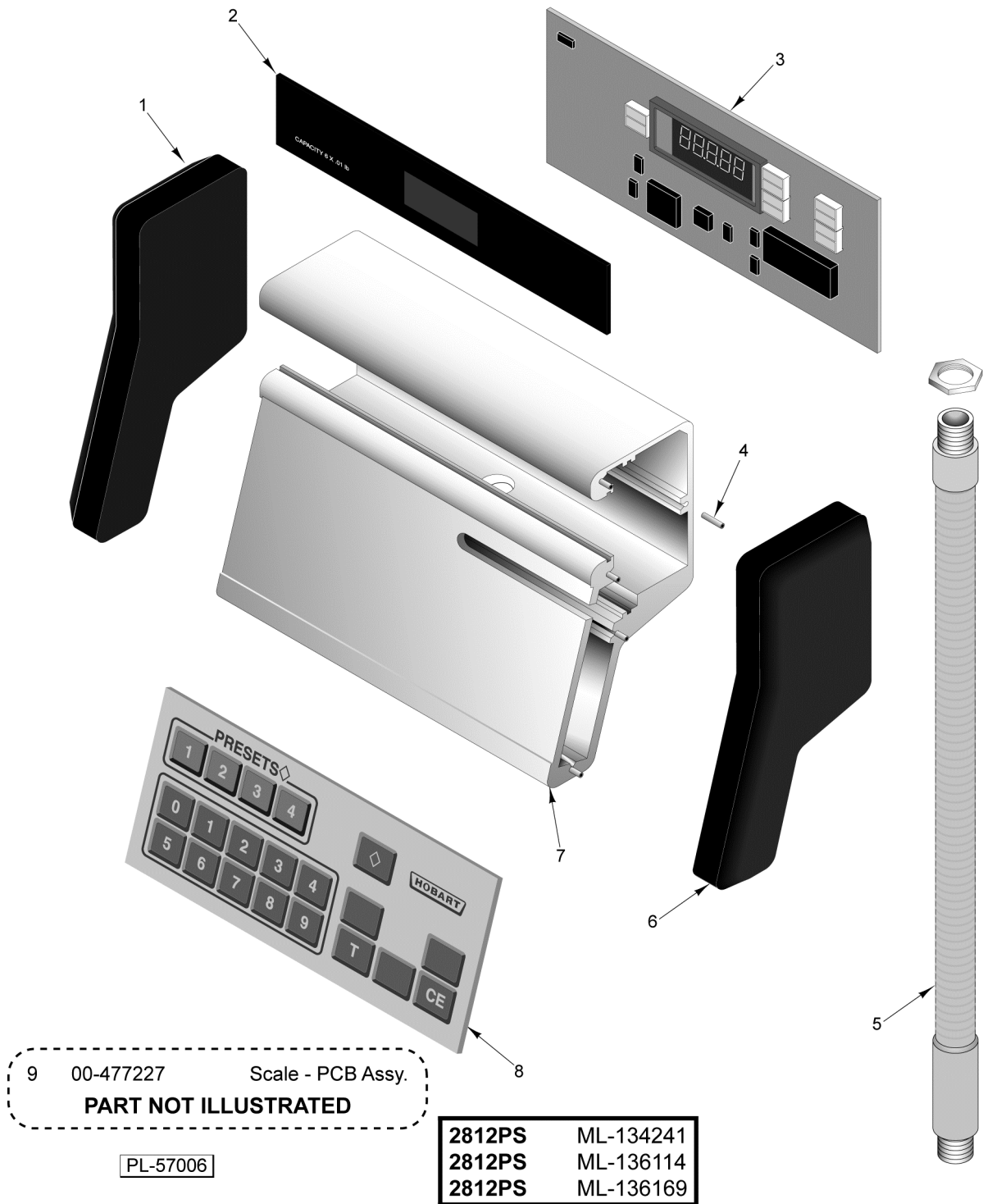
11 00-477227 Scale - PCB Assy.
PART NOT ILLUSTRATED

PL-57002

**SCALE ASSEMBLY
 (2812PS & 2912PS SERIES)**

**SCALE ASSEMBLY
(2812PS & 2912PS SERIES)**

ILLUS. PL-57002	PART NO.	NAME OF PART	AMT.
1	00-477517	Platter Assy.....	1
2	00-477662	Platter - Support Assy. (Incls. Item 10).....	1
3	00-439986	Pad - Rubber.....	2
4	00-873267	Load Cell.....	1
5	SC-041-06	Cap Screw 1/4-20 x 1-1/4 Hex Hd.....	2
6	WL-013-14	Lockwasher 1/4 Internal Shakeproof.....	2
7	SC-093-04	Mach. Screw 8-32 x 1/2 Phil. Pan Hd. (SST).....	2
8	WL-013-08	Lockwasher #8 Internal Shakeproof.....	2
9	00-477684	Plate - Load Cell.....	1
10	00-479093	Set Screw (Machined).....	2
11	00-477227	Scale - PCB Assy. (2812PS).....	1

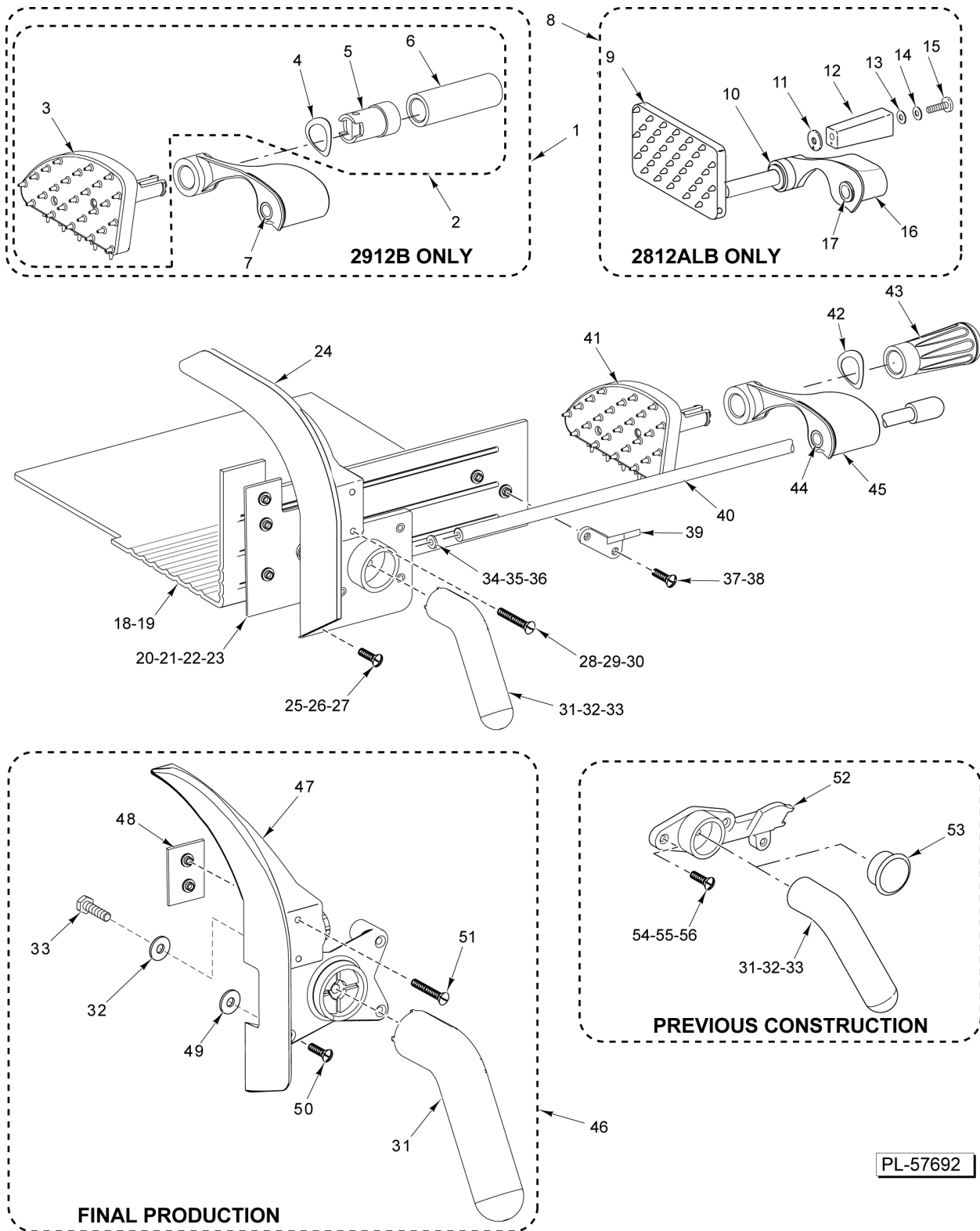


2812PS	ML-134241
2812PS	ML-136114
2812PS	ML-136169

**DISPLAY TOWER ASSEMBLY
(2812PS SERIES)**

**DISPLAY TOWER ASSEMBLY
(2812PS SERIES)**

ILLUS.	PART NO.	NAME OF PART	AMT.
PL-57006			
1	00-875362	Cap - Left Display End.....	1
2	00-477803	Filter - Display.....	1
3	00-477225	Display - PCB Assy.....	1
4	SC-124-76	Set Screw 6-32 x 1/2 Hdls. Cup Pt.....	10
5	00-477568	Arm - Flex.....	1
6	00-875363	Cap - Right Display End.....	1
7	00-477368	Housing.....	1
8	00-439058	Keypad - Slicer.....	1
9	00-477227	Scale - PCB Assy. (2812PS).....	1

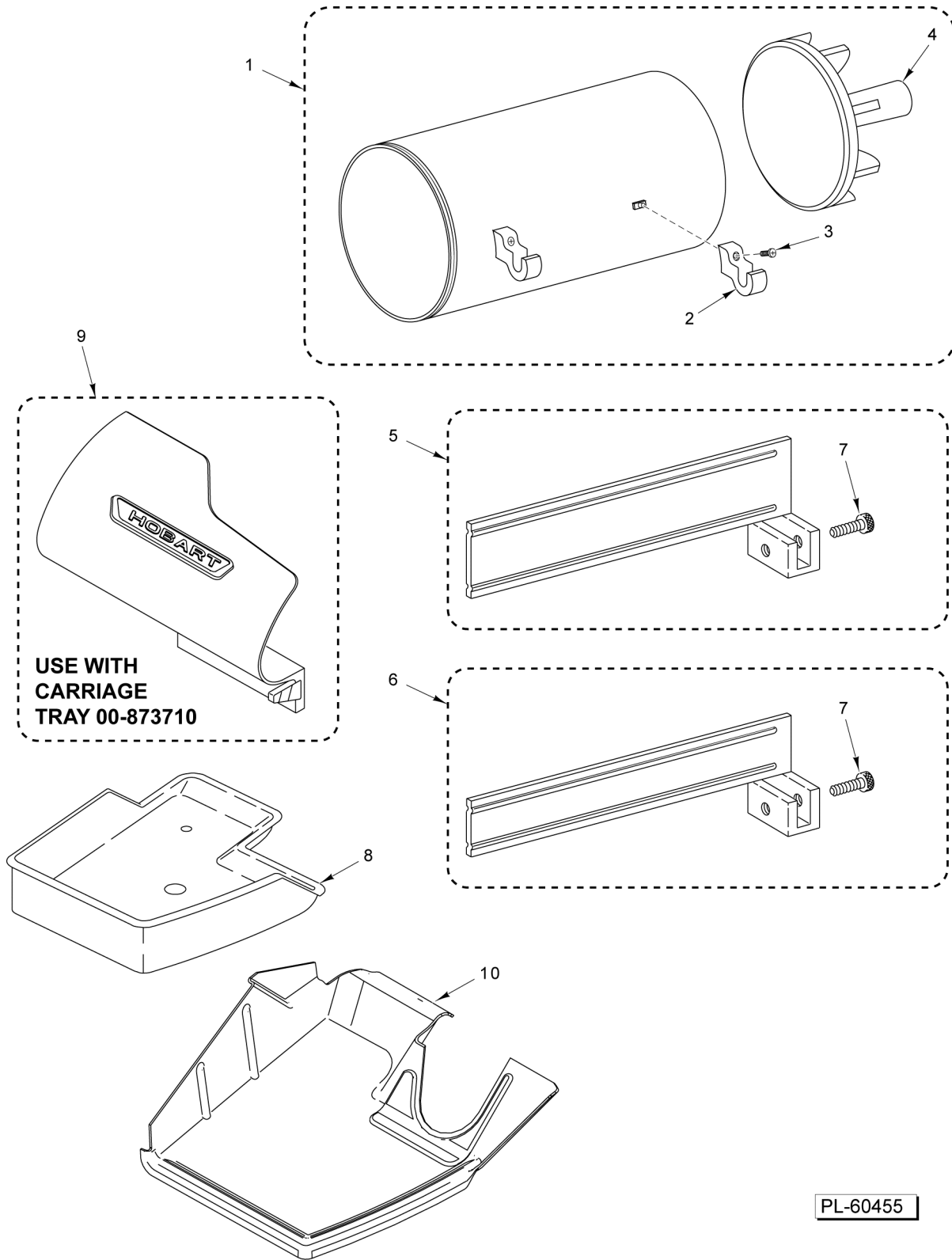


CARRIAGE TRAY

CARRIAGE TRAY

ILLUS.	PART NO.	NAME OF PART	AMT.
PL-57692			
1	00-915214	Feed Arm Assy. (Incls. Items 2 & 7).....	1
2	00-915168	Kit - Handle Assy. (Alum.) (Incls. Items 3 thru 6).....	1
3	00-915171	Grip - Product.....	1
4	00-479463	Washer - Wavy.....	1
5	00-915170	Handle - Insert Assy.....	1
6	00-915144	Handle - Feed Grip (Aluminum).....	1
7	00-478254	Bushing.....	2
8	00-437912-00002	Heavy Meat Assy. (2812ALB) (Incls. Items 9 thru 17).....	1
9	00-437908	Meat Grip Heavy Subassy. (2812ALB).....	1
10	00-438280	Bushing (2812ALB).....	1
11	00-437006	Washer - Handle (2812ALB).....	1
12	00-070202	Handle - Meat Grip (Non-Metallic) (2812ALB).....	1
13	00-070344	Washer - Handle Tension (2812ALB).....	1
14	00-070345	Washer - Handle Retaining (2812ALB).....	1
15	SC-124-67	Mach. Screw 10-24 x 1/2 Slotted Truss Hd. (2812ALB).....	1
16	00-479544-00003	Feed Grip Assy. (Alum.) (Packaged) (2812ALB).....	1
17	00-478254	Bushing (2812ALB).....	2
18	00-875646-00002	Carriage Tray.....	1
19	00-873710	Carriage Tray (SST) (Previous Construction) (Use with Item 34).....	1
*20		Gasket - Slide Rod Base (No Ribs).....	1
*21		Gasket - Slide Rod Base (Ribbed).....	1
*22		Kit - Gasket (Ribbed).....	1
*23		Kit - Gasket (Smooth).....	1
*24		Support Handle & Slide Rod.....	1
25	SC-126-27	Mach. Screw 8-32 x 3/8 Hex Hd. (SST) (2612PHS & 2712PHS).....	3
26	SC-123-09	Mach. Screw Special 8-32 x 3/8 Phil. Oval Hd.....	3
27	SC-129-06	Mach. Screw 8-32 x 3/8 Tx. Flat Hd. (SST) (2612C, 2712C, 2812C, & 2912C).....	3
28	SC-126-28	Mach. Screw 8-32 x 1-1/2 Hex Hd. (SST) (2612PHS & 2712PHS).....	2
29	SC-123-10	Mach. Screw 8-32 x 1-1/2 Phil. Oval Hd. (SST).....	2
30	SC-128-84	Mach. Screw 8-32 x 1-1/2 Tx. Flat Hd. (SST) (2612C, 2712C, 2812C, & 2912C).....	2
31	00-875345	Handle - Carriage.....	1
32	WS-022-02	Washer 0.266 x 0.688 x 0.062 (SST).....	1
33	SC-041-02	Cap Screw 1/4-20 x 1 Hex Hd. (SST).....	1
34	WS-030-58	Washer 0.500 x 0.750 x 0.010 (SST).....	1
35	WS-021-21	Washer 0.500 x 0.750 x 0.093 (Nylon).....	AR
36	WS-021-19	Washer 0.500 x 0.750 x 0.062 (Nylon).....	AR
37	SC-123-09	Mach. Screw Special 8-32 x 3/8 Phil. Oval Hd.....	2
38	SC-129-06	Mach. Screw 8-32 x 3/8 Tx. Flat Hd. (SST) (2612C, 2712C, 2812C, & 2912C).....	2
39	00-915028	Hanger - Meat Grip (MicroBan).....	1
40	00-875354	Knob & Slide Rod Assy.....	1
41	00-913067	Kit - Meat Grip (All Except 2812ALB) (Incls. Qty of 3 for Item 35).....	1
42	00-479463	Washer - Wavy.....	1
43	00-875320	Handle - Feed Grip Assy. (All Except 2812ALB).....	1
44	00-478254	Bushing.....	2
45	00-479544-00003	Feed Grip Assy. (Alum.) (Packaged) (Incls. Items 41 thru 44).....	1
46	00-915596	Kit - Slide Rod & Handle Support (Incls. Items 31, 32, 33, & 47 thru 51).....	1
47	00-915582	Support - Handle & Slide Rod.....	1
48	00-915586	Gasket - Handle.....	1
49	00-915649	Gasket.....	3
50	SC-131-91	Mach. Screw 8-32 x 1.....	3
51	SC-123-10	Mach. Screw 8-32 x 1-1/2 Phil. Oval Hd. (SST).....	2
52	00-875357	Hanger - Meat Grip.....	1
53	00-875350	Cap - Meat Grip Hanger.....	1
54	SC-126-27	Mach. Screw 8-32 x 3/8 Hex Hd. (SST) (2612PHS & 2712PHS).....	3
55	SC-123-09	Mach. Screw Special 8-32 x 3/8 Phil. Oval Hd.....	3
56	SC-124-77	Mach. Screw 8-32 x 3/8 Hex Pin Hd. (SST) (2612C, 2712C, 2812C, & 2912C).....	3

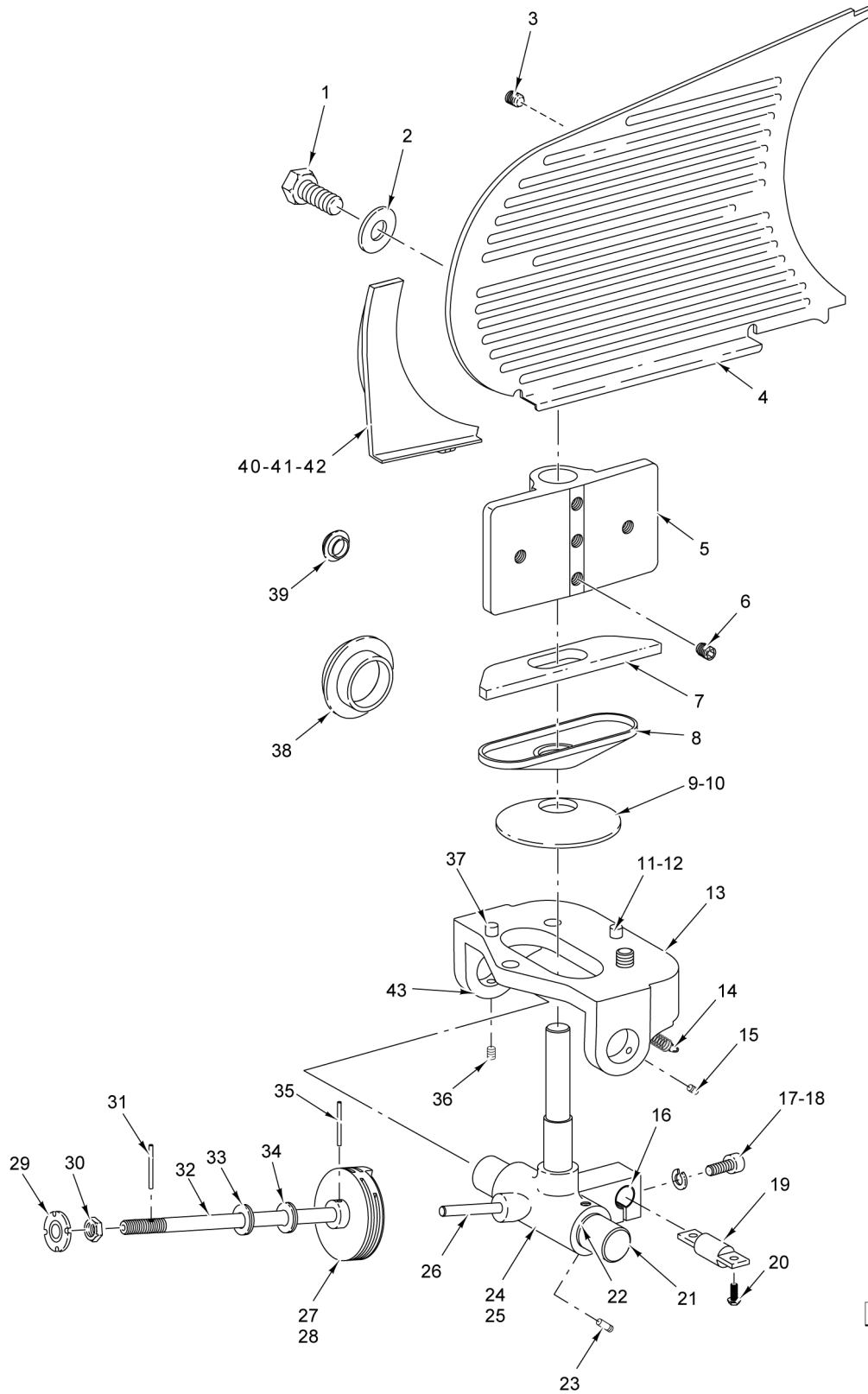
* (Part No Longer Available, Order Item 46)



ACCESSORIES

ACCESSORIES

ILLUS.	PART NO.	NAME OF PART	AMT.
	PL-60455		
1	00-873604	Feed Chute Assy. (Incls. Items 2, 3, & 4).....	1
2	00-875365	Hanger - Chute (All Except 2812ALB).....	2
3	SC-124-41	Mach. Screw Special 8-32 x 5/8 Phil. Oval Hd. (All Except 2812ALB).....	2
4	00-075945	Pusher Assy. - Plate.....	1
5	00-295117	Fence Assy. (High) (3-3/8 In.) (SST) (Packaged).....	1
6	00-295118	Fence Assy. (Low) (1-3/4 In.) (SST) (Packaged).....	1
7	00-290984	Thumb Screw - Fence.....	1
8	00-873480	Box - Slaw.....	1
9	00-875163	Product Shield Assy. (Use with Carriage Tray 00-873710 Only).....	1
10	00-915420	Platter (2912B).....	1

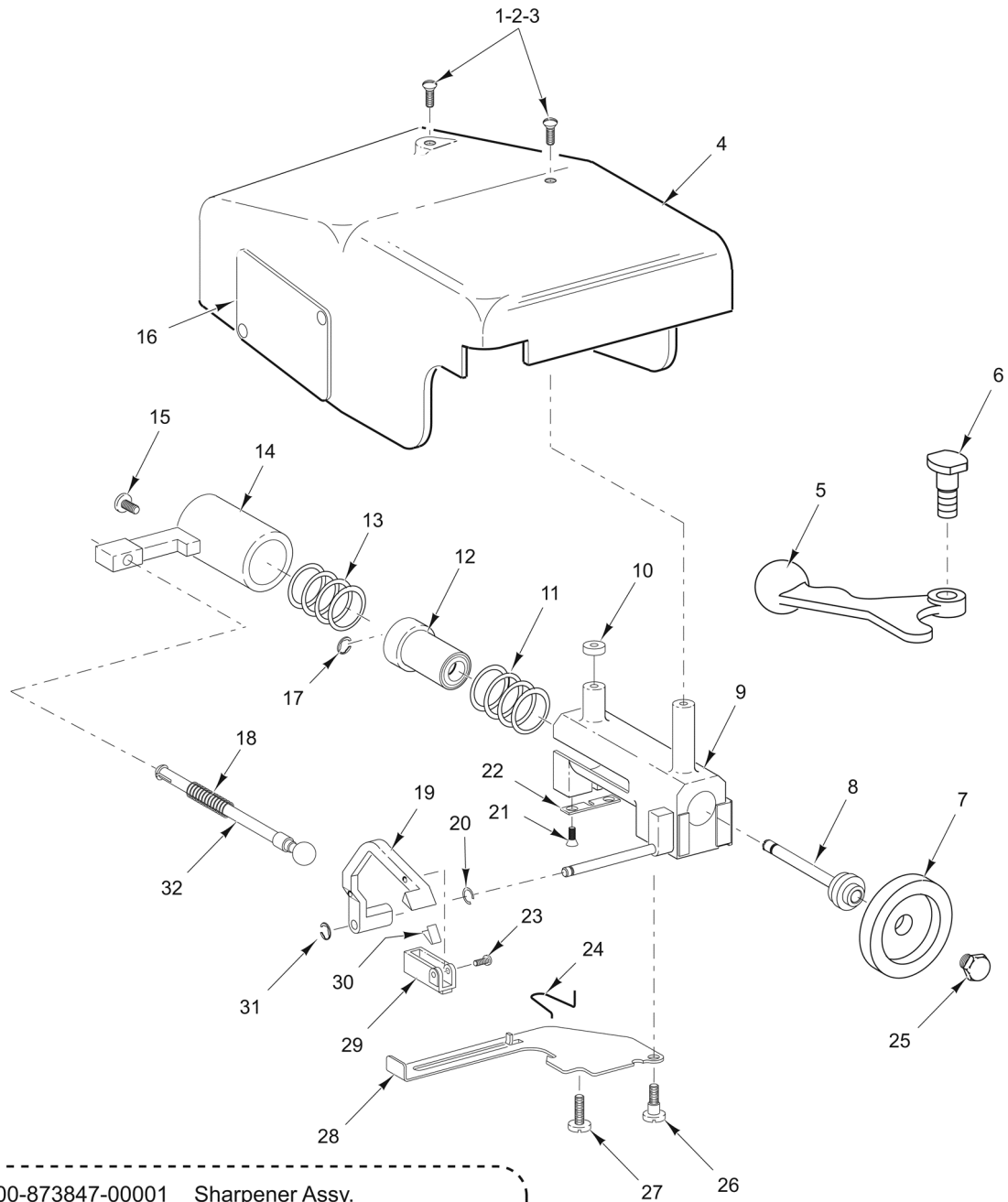


PL-57693

GAUGE PLATE AND INDEX

GAUGE PLATE AND INDEX

ILLUS.	PART NO.	NAME OF PART	AMT.
1	SC-041-16	Cap Screw 5/16-18 x 1-3/8 Hex Hd. (SST).....	2
2	WS-005-32	Washer (SST).....	2
3	SC-123-52	Set Screw 5/16-24 x 5/8 Hdls., Flat Pt.....	4
4	00-438980-00002	Gauge Plate Assy.....	1
5	00-439021-00002	Mount - Special.....	1
6	SC-124-11	Set Screw 5/16-24 x 5/8 Hdls., Cone Pt.....	3
7	00-875352	Cover - Gauge Plate (Bottom).....	1
8	00-875364	Retainer - Cover.....	1
9	00-875361	Disc - Cover (All Except 2612GC).....	1
10	00-914123	Disc - Cover (2612GC).....	1
11	SD-038-13	Self-Tapping Screw 5/16-18 x 7/8 Hex Washer Hd., Type RL.....	3
12	WL-007-20	Lockwasher 5/16 External Shakeproof.....	3
13	00-439072-00003	Support - Slide Index (Incls. Items 15, 36, & 37) (Order With Item 19).....	1
14	00-478432	Spring - Index Backlash.....	1
15	SC-088-71	Set Screw 8-32 x 3/8 Hdls., Flat Pt.....	1
16	00-478425	Bushing - Anti-Rotation Rod.....	1
17	SC-124-46	Cap Screw 10-24 x 3/4 Hex Socket Hd.....	3
18	WL-008-13	Lockwasher #10 Internal Shakeproof.....	3
19	00-478415	Rod - Index Anti-Rotation.....	1
20	SD-038-14	Self-Tapping Screw 1/4-20 x 7/8 Hex Washer Hd., Type RL (SST).....	2
21	00-438886	Rod - Index Slide.....	1
22	00-478426	Bushing - Index Slide.....	2
23	PG-011-19	Pin - Grooved 5/32 x 1/2 (SST).....	1
24	00-478416-00002	Slide - Index Mechanism (Incls. Items 16, 17, 18, 22, 23, & 26).....	1
25	00-478416-00003	Slide - Index Mechanism (2612GC) (Incls. Items 16, 17, 18, 22, 23, & 26).....	1
26	00-478461	Pin - Index Cam.....	1
27	00-915335-00002	Cam - Indexing (All Except 2612GC).....	1
28	00-914122	Cam - Indexing (2612GC).....	1
29	00-076948	Disc - Indexing Drive.....	1
30	00-010928-00002	Nut - Special.....	2
31	RP-002-40	Roll Pin 3/32 Dia. x 3/4 Lg.....	1
32	00-438890	Camshaft.....	1
33	00-088298	Washer - Belleville.....	2
34	WS-030-58	Washer 0.500 x 0.750 x 0.010 (SST).....	1
35	RP-003-12	Roll Pin 1/8 Dia. x 1-1/4 Lg.....	1
36	SC-088-71	Set Screw 8-32 x 3/8 Hdls., Flat Pt.....	2
37	00-011800-00305	Pin - Dowel 1/4 x 3/4.....	1
38	00-875373	Plug - Hole (Large).....	2
39	00-875375	Plug - Hole (Small).....	2
40	00-914132	Deflector - Fluid (Pre-Drilled) (2912B).....	1
41	00-479499	Deflector - Fluid (Silicone).....	1
42	SC-129-13	Mach. Screw 6-32 x 1/4 Phil. Flat Hd. (SST).....	3
43	PG-001-38	Pin - Groove.....	1



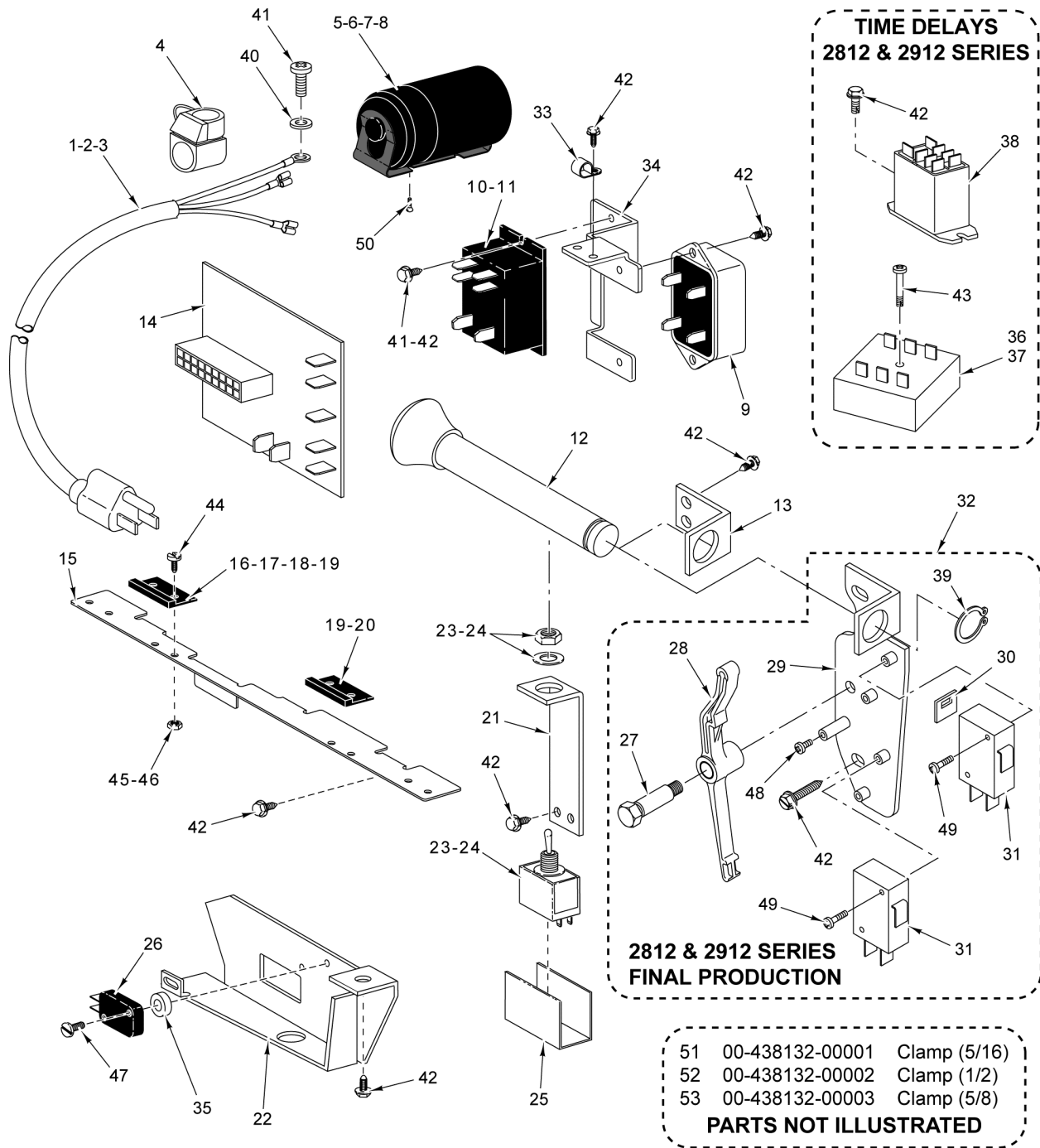
- | | | |
|----|-----------------|--------------------------------|
| 33 | 00-873847-00001 | Sharpener Assy. |
| 34 | 00-873847-00003 | Sharpener Assy. (PHS Series) |
| 35 | 00-873847-00004 | Sharpener Assy. (Correctional) |
| 36 | 00-875046 | Sharpener Assy. (No Stones) |
- PARTS NOT ILLUSTRATED**

PL-57010

KNIFE SHARPENER

KNIFE SHARPENER

ILLUS. PL-57010	PART NO.	NAME OF PART	AMT.
1	SC-067-06	Mach. Screw 10-24 x 1/2 Hex Hd. (2612PHS & 2712PHS).....	2
2	SC-129-63	Mach. Screw 10-24 x 1/2 Phil. Truss Hd. (SST).....	2
3	SC-129-74	Mach. Screw 10-24 x 1/2 Tx. Button Hd. (SST) (Correctional).....	2
4	00-915010	Kit - Plate & Cover Assy.....	1
5	00-875359	Handle - Sharpener Cam.....	1
6	00-479953	Shoulder Screw 1/4-20 x 3/8.....	1
7	00-439691	Stone Service Kit.....	1
8	00-873848	Shaft - Grinding Wheel.....	1
9	00-873852	Housing & Stud Assy.....	1
10	00-915162	Spacer.....	1
11	00-438437	Spring - Return.....	1
12	00-873851	Plunger - Bearing Assy.....	1
13	00-875531	Spring - Main.....	1
14	00-875339	Actuator.....	1
15	SC-122-87	Mach. Screw 8-32 x 1/4 Slotted Pan Hd. (SST).....	1
16	00-437239	Label - Instruction.....	1
17	RR-006-22	Retaining Ring 1/4 In. (SST).....	1
18	00-438426	Spring - Truing Arm.....	1
19	00-875367	Arm - Truing.....	1
20	00-479527	Washer - Spring Crescent Shaped.....	1
21	SC-122-85	Mach. Screw 4-40 x 1/4 Phil. Flat Hd. (SST).....	2
22	00-439700	Plate - Rear Locking.....	1
23	SC-122-84	Mach. Screw 2-56 x 9/16 Slotted Pan Hd. (SST).....	1
24	00-438435	U-Spring (Long End Inserted Into Housing).....	1
25	00-435814	Retaining Screw (RH).....	1
26	00-438442	Screw - Shoulder Special.....	1
27	SC-122-87	Mach. Screw 8-32 x 1/4 Slotted Pan Hd. (SST).....	1
28	00-439698	Lever - Locking.....	1
29	00-478747	Stone - Truing.....	1
30	00-435324	Spring - Truing Stone.....	2
31	RR-006-22	Retaining Ring 1/4 In. (SST).....	1
32	00-875368	Push Rod - Truing.....	1
33	00-873847-00001	Sharpener Assy. (Incls. Items 2 & 4 thru 32).....	1
34	00-873847-00003	Sharpener Assy. (Incls. Items 1 & 4 thru 32) (2612PHS & 2712PHS).....	1
35	00-873847-00004	Sharpener Assy. (Incls. Items 3 thru 32) (Correctional).....	1
36	00-875046	Sharpener Assy. (No Stones) (Cosmetic) (Incls. Items 3, 4, 9, 14, 21, 22, 26, 27, & 28) (Correctional).....	1

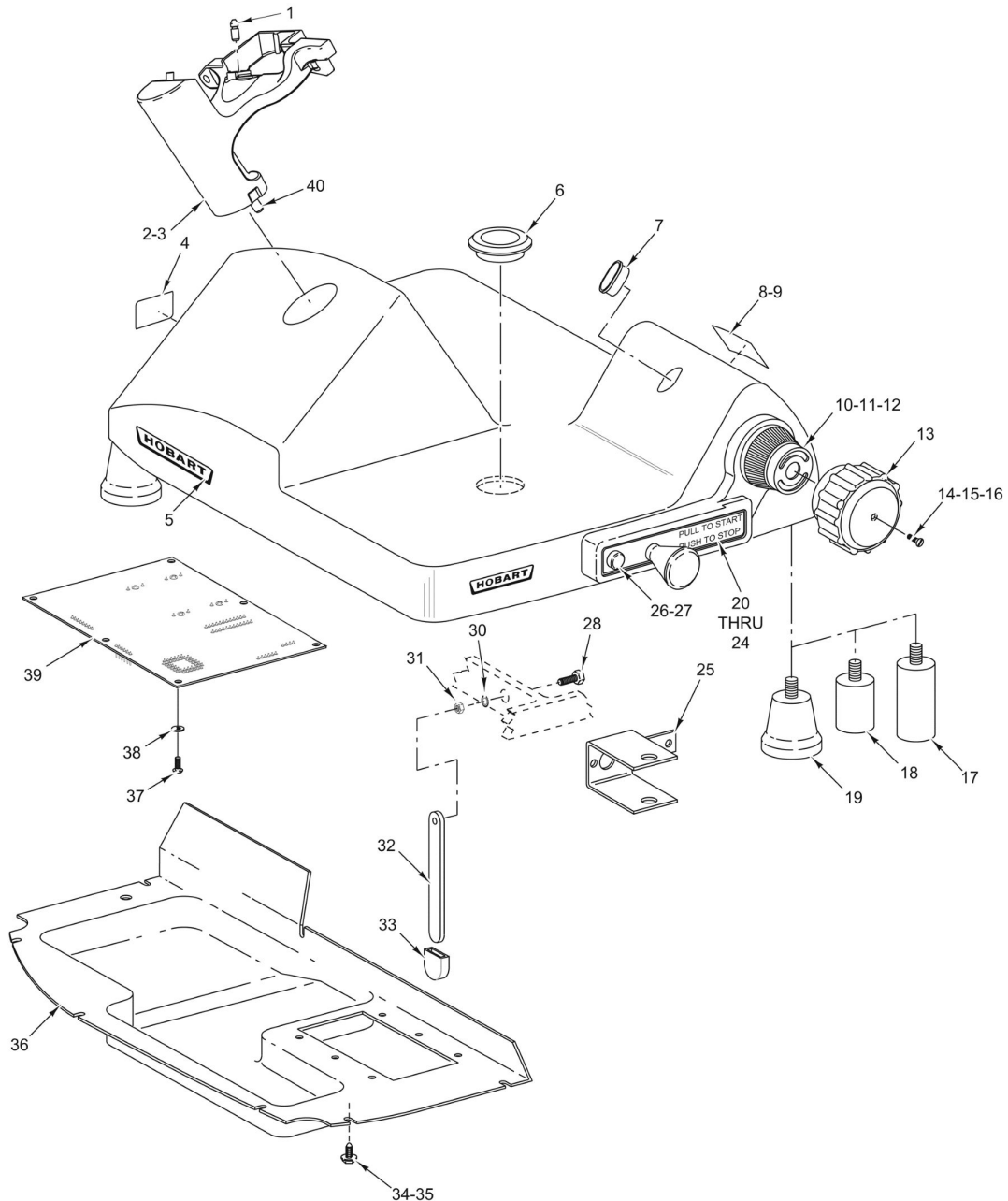


PL-60729

ELECTRICAL UNIT

ELECTRICAL UNIT

ILLUS.	PART NO.	NAME OF PART	AMT.
PL-60729			
1	00-117542-00095	Cord & Plug Assy. (100/120 V.).....	1
2	00-117542-00096	Cord & Plug Assy. (240 V.).....	1
3	00-117542-00039	Cord (I.E.C.).....	1
4	FE-021-21	Strain Relief (Use With Items 1 & 3).....	1
5	00-070486-00001	End Cap - Capacitor.....	1
6	00-070487-00026	Capacitor - Motor Start.....	1
7	00-066621-00001	Bracket - Capacitor.....	1
8	00-875582	Spacer.....	1
9	00-271612-00002	Switch - Electronic Start (50/60 Hz.).....	1
10	00-087714-042-1	Relay (2-Pole) (120 VAC) (30 Amp.).....	1
11	00-087714-042-3	Relay (2-Pole) (240 VAC).....	1
12	00-875668	Knob - On/Off.....	1
13	00-439041	Bracket - Switch Rod.....	1
14	00-873635	PCB Assy. - Knife Motor Control (2912B).....	1
15	00-477523	Bracket - Switch (All Except 2612 Series).....	1
16	00-087711-00319	Switch - Home Start (2712 Series, 2912, & 2912C).....	1
17	00-087711-00276	Switch - Home Start (2812 Series).....	1
18	00-087711-00334	Switch - Home Start (2912B).....	1
19	00-087711-00336	Switch - Home Start or Slice Count (2912PS).....	1
20	00-087711-00264	Switch - Slice Count (2812PS).....	1
21	00-439040	Bracket - On/Off Switch.....	1
22	00-479683	Bracket - Switch.....	1
23	00-087711-148-1	Switch (With Nuts) (2-Post) (2612 Series & 2712 Series).....	1
24	00-875567	Switch Assy. (With Nuts) (3-Position) (2812 Series & 2912 Series Previous Construction).....	1
25	00-873803	Switch - Mylar.....	1
26	00-087711-00349	Switch (Snap Action) (2812 Series & 2912 Series).....	AR
27	00-914231	Standoff - Pivot Arm.....	1
28	00-873664	Arm - Switch Pivot.....	1
29	00-875700-00002	Plate - Mounting.....	1
30	00-914129	Pad - Dampening.....	1
31	00-087711-00349	Switch (Stop & Start/Pause).....	2
32	00-875744	Kit - Start/Stop/Pause Switch (2812 Series & 2912 Series) (Incls. Items 27 thru 31, 39, 42, 48, & 49).....	1
33	00-078752-00012	Clamp - Cable.....	1
34	00-438929	Bracket - Motor Start Switch.....	1
35	00-478427	Spacer - Nylon (2812 Series & 2912 Series).....	2
36	00-087714-069-1	Timer - Relay (115 V.) (2812, 2812CB, 2812PS, 2812ALB, & 2912 Series) (If Equipped).....	1
37	00-087714-069-2	Timer - Relay (230 V.) (2812 & 2912PS Series) (If Equipped).....	1
38	00-087714-00063	Relay (115 V.) (2812 ML-136110 & 2812PS ML-136114).....	2
39	RR-009-03	Retaining Ring.....	1
40	WL-010-01	Lockwasher #8 External Shakeproof.....	1
41	SD-015-41	Self-Tapping Screw 8-32 x 1/2 Phil. Pan Hd., Type TT.....	AR
42	SD-038-16	Self-Tapping Screw 6-32 x 3/8 Hex Washer Hd., Type RL.....	AR
43	SD-037-95	Self-Tapping Screw 10-24 x 1 Phil. Pan Hd., Type T.....	1
44	SC-120-97	Mach. Screw 4-40 x 3/8 Slotted Flat Hd. (SST) (All Except 2612 Series).....	2
45	WL-006-43	Lockwasher #4 Helical (SST).....	2
46	NS-011-01	Nut 4-40 Hex (SST).....	2
47	SC-060-40	Mach. Screw 4-40 x 5/8 Slotted Rd. Hd. (2812 Series & 2912 Series).....	2
48	SC-129-23	Mach. Screw 4-40 x 1/4 Phil. Pan Hd.....	1
49	SC-122-53	Mach. Screw 4-40 x 5/8 Phil. Pan Hd. (SST).....	2
50	SD-024-16	Self-Tapping Screw 10-24 x 1/2 Phil. Flat Hd., Type TT.....	1
51	00-438132-00001	Clamp - P (5/16).....	AR
52	00-438132-00002	Clamp - P (1/2).....	AR
53	00-438132-00003	Clamp - P (5/8).....	AR



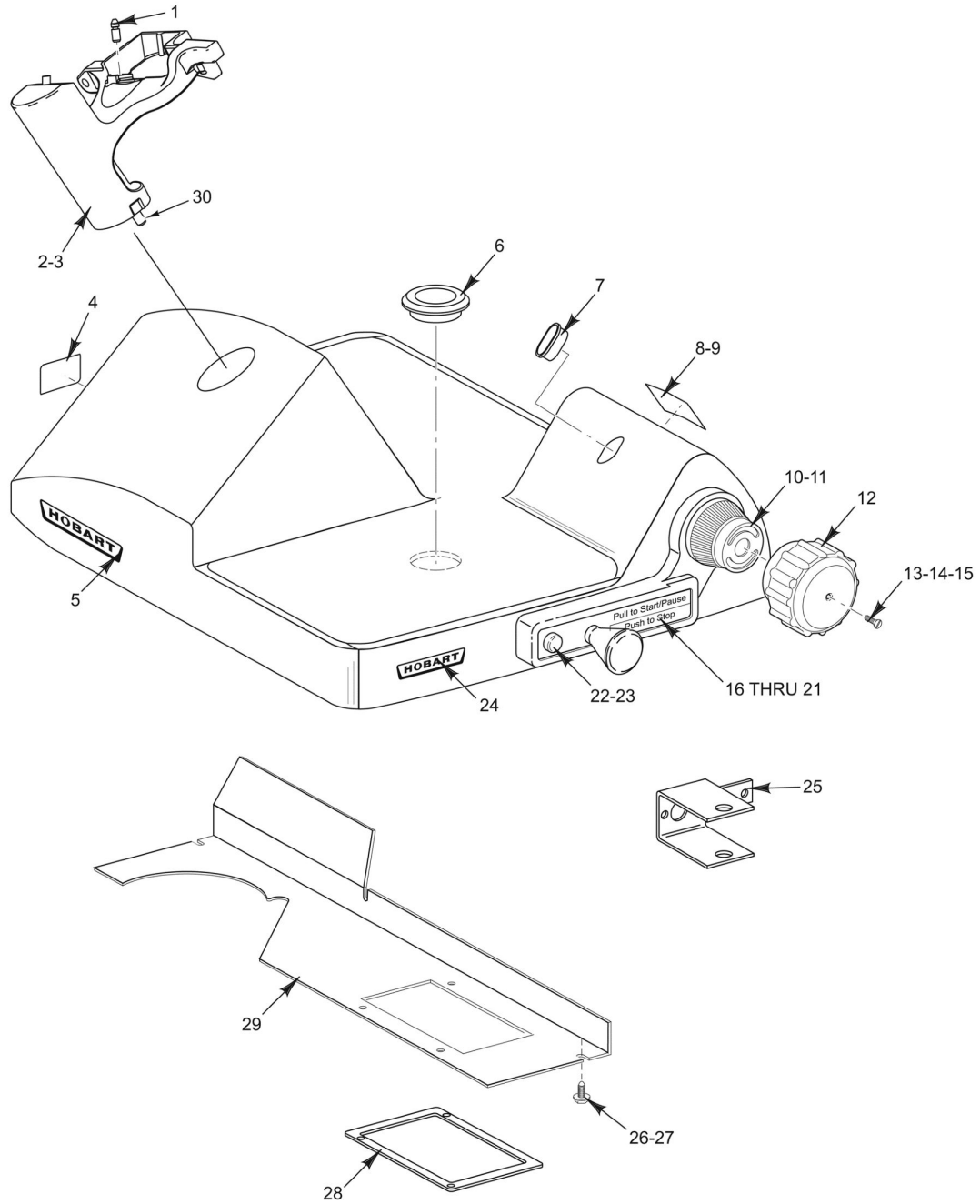
2612	ML-134231	2812	ML-134239	2812	ML-104617	2812CB	ML-136141
2612C	ML-134233	2812	ML-136110	2812	ML-136164	2812PS	ML-136114
2612GC	ML-136100	2812	ML-136112	2812	ML-136167	2812PS	ML-134241
2612PHS	ML-134234	2812	ML-104616	2812C	ML-134244	2812PS	ML-136169
		2812	ML-136168			2812ALB	ML-134243

PL-57004

**BASE UNIT
(2612 & 2812 SERIES)**

**BASE UNIT
(2612 & 2812 SERIES)**

ILLUS. PL-57004	PART NO.	NAME OF PART	AMT.
1	00-873733	Pin - Lock.....	1
2	00-479636-00005	Mount - Sharpener Housing.....	1
3	SD-038-13	Self-Tapping Screw 5/16-18 x 7/8 Hex Washer Hd., Type RL.....	2
4	00-438131-061-2	Label - Warning.....	1
5	00-477739	Logo - Hobart (Large).....	1
6	00-479033	Nut - Hump (2812PS).....	1
7	00-875347	Ring - Drip.....	1
8	00-438131-054-2	Label - Warning.....	1
9	00-121676-00001	Self-Tapping Screw #2 x 1/4 Truss Hd.....	2
10	00-875370	Dial Assy. (All Except 2812CB).....	1
11	00-875370-00002	Dial Assy. (2812CB).....	1
12	00-077629	Bushing.....	1
13	00-875348	Knob - Indexing.....	1
14	SC-126-30	Mach. Screw 10-24 x 3/4 Hex Hd. (SST) (2612PHS).....	1
15	SC-023-10	Mach. Screw 10-24 x 3/4 Slotted Oval Hd. (SST).....	1
16	SC-121-95	Mach. Screw 10-24 x 5/8 Hex Pin Hd. (SST) (2612C & 2812C).....	1
17	00-477773	Leg Set (4 In.) (Packaged).....	1
18	00-873766	Leg Set (3 In.) (Packaged).....	1
19	00-875371	Foot - Tall.....	4
20	00-875349	Bezel - Index.....	1
21	00-479745	Bezel - Index (2612C & 2812C).....	1
22	SD-038-21	Self-Tapping Screw 8-32 x 1-1/4 Phil. Pan Hd., Type TT.....	2
23	SD-038-20	Self-Tapping Screw 8-32 x 1 Phil. Flat Hd., Type TT.....	2
24	00-477735	Label - Start/Stop.....	1
25	00-479655	Lock Bracket (2612C & 2812C).....	1
26	00-439042-00001	Lamp (125 V.).....	1
27	00-439042-00002	Lamp (250 V.).....	1
28	SC-041-02	Cap Screw 1/4-20 x 1 Hex Hd. (SST).....	1
29	00-477740	Logo - Hobart (Small).....	2
30	WL-014-10	Lockwasher 1/4 External Shakeproof.....	1
31	NS-015-01	Nut 1/4-20 Hex (SST).....	1
32	00-437865	Leg - Cleaning.....	1
33	00-478023	Cap - Lift Leg.....	1
34	SD-038-76	Self-Tapping Screw 6-32 x 3/8 Hex Washer Hd., Type RL (2612PHS).....	11
35	SD-038-16	Self-Tapping Screw 6-32 x 3/8 Hex Washer Hd., Type RL.....	11
36	00-873738	Cover - Bottom.....	1
37	SD-038-16	Self-Tapping Screw 6-32 x 3/8 Hex Washer Hd., Type RL (2812PS).....	6
38	WL-019-32	Lockwasher #6 External (2812PS).....	6
39	00-477227	Scale - PCB Assy. (2812PS).....	1
40	00-011800-00242	Dowel.....	2



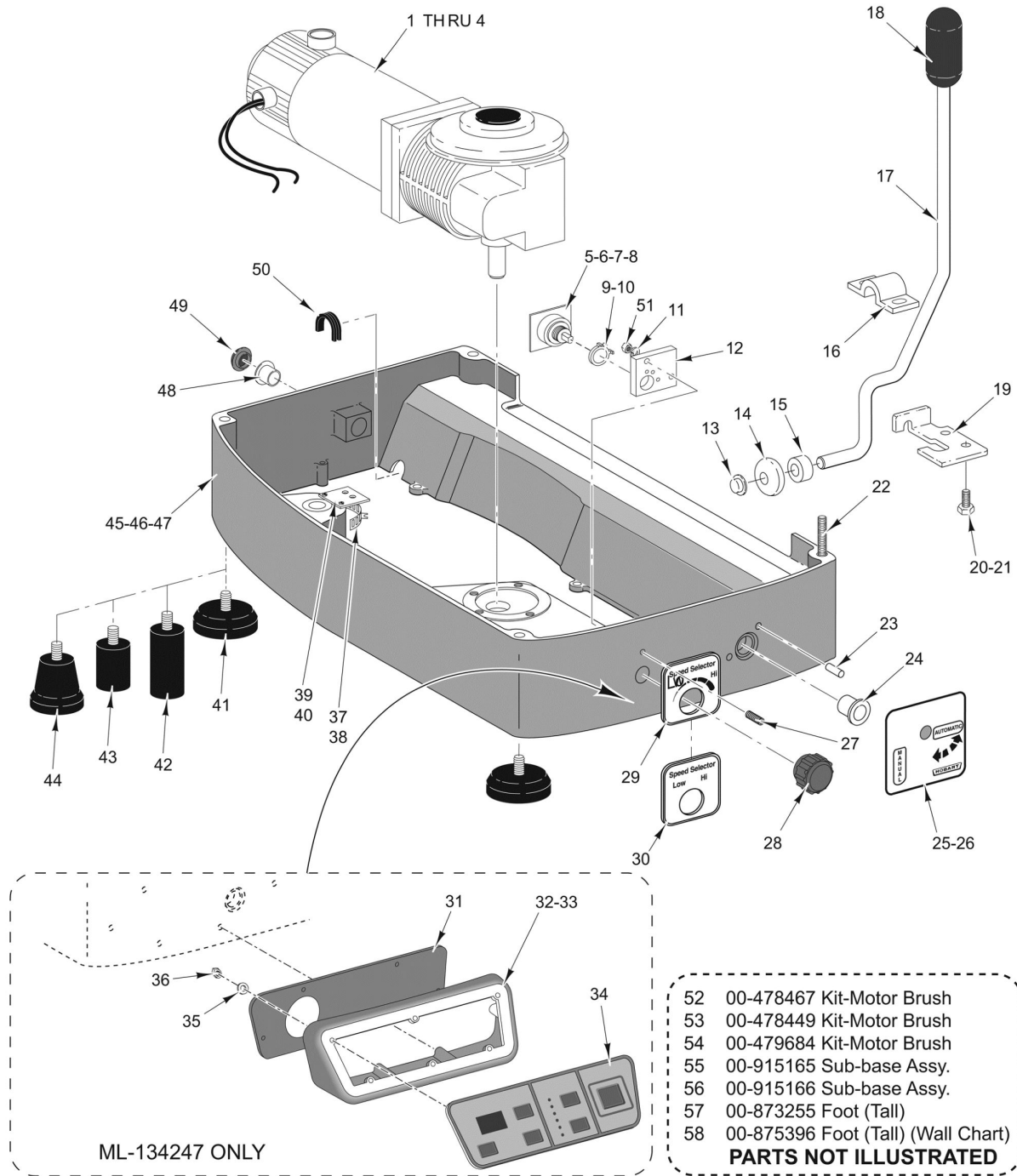
2712	ML-104822	2912	ML-134245	2912	ML-136154	2912PS	ML-134247
2712	ML-134235	2912	ML-136111	2912	ML-136188	2912PS	ML-136175
2712C	ML-134237	2912	ML-136113	2912	ML-136189	2912C	ML-134248
2712PHS	ML-134238	2912	ML-136153	2912	ML-104996	2912C	ML-136174
						2912B	ML-134251

PL-57014

**BASE UNIT
(2712 & 2912 SERIES)**

**BASE UNIT
(2712 & 2912 SERIES)**

ILLUS. PL-57014	PART NO.	NAME OF PART	AMT.
1	00-873733	Pin - Lock.....	1
2	00-479636-00005	Mount - Sharpener Housing.....	1
3	SD-038-13	Self-Tapping Screw 5/16-18 x 7/8 Hex Washer Hd., Type RL.....	2
4	00-438131-061-2	Label - Warning.....	1
5	00-477739	Logo - Hobart (Large).....	1
6	00-479033	Nut - Hump (2912PS).....	1
7	00-875347	Ring - Drip.....	1
8	00-438131-054-2	Label - Warning.....	1
9	00-121676-00001	Self-Tapping Screw #2 x 1/4 Truss Hd.....	2
10	00-875370	Dial Assy.....	1
11	00-077629	Bushing.....	1
12	00-875348	Knob - Indexing.....	1
13	SC-126-30	Mach. Screw 10-24 x 3/4 Hex Hd. (SST) (2712PHS).....	1
14	SC-023-10	Mach. Screw 10-24 x 3/4 Slotted Oval Hd. (SST).....	1
15	SC-121-95	Mach. Screw 10-24 x 5/8 Hex Pin Hd. (SST) (2712C & 2912C).....	1
16	00-477735	Label - Start/Stop (2712, 2712C, 2912, 2912C, & 2912PS).....	1
17	00-873623	Label - Start/Stop/Pause (2912B).....	1
18	00-875349	Bezel - Index (2712, 2912, & 2912PS).....	1
19	00-479745	Bezel - Index (2712C & 2912C).....	1
20	SD-038-21	Self-Tapping Screw 8-32 x 1-1/4 Phil. Pan Hd., Type TT.....	2
21	SD-038-20	Self-Tapping Screw 8-32 x 1 Phil. Flat Hd., Type TT.....	2
22	00-439042-00001	Lamp (125 V.).....	1
23	00-439042-00002	Lamp (250 V.).....	1
24	00-477740	Logo - Hobart (Small).....	2
25	00-479655	Bracket - Lock (2712C & 2912C).....	1
26	SD-038-76	Self-Tapping Screw 6-32 x 3/8 Hex Washer Hd., Type RL (2712PHS).....	5
27	SD-038-16	Self-Tapping Screw 6-32 x 3/8 Hex Washer Hd., Type RL.....	5
28	00-479680	Gasket - Chute (2912PS).....	1
29	00-478036	Cover - Upper Electrical.....	1
30	00-011800-00242	Dowel.....	2



2712	ML-104822	2912	ML-134245	2912	ML-136154	2912PS	ML-134247
2712	ML-134235	2912	ML-136111	2912	ML-136188	2912PS	ML-136175
2712C	ML-134237	2912	ML-136113	2912	ML-136189	2912C	ML-134248
2712PHS	ML-134238	2912	ML-136153	2912	ML-104996	2912C	ML-136174
						2912B	ML-134251

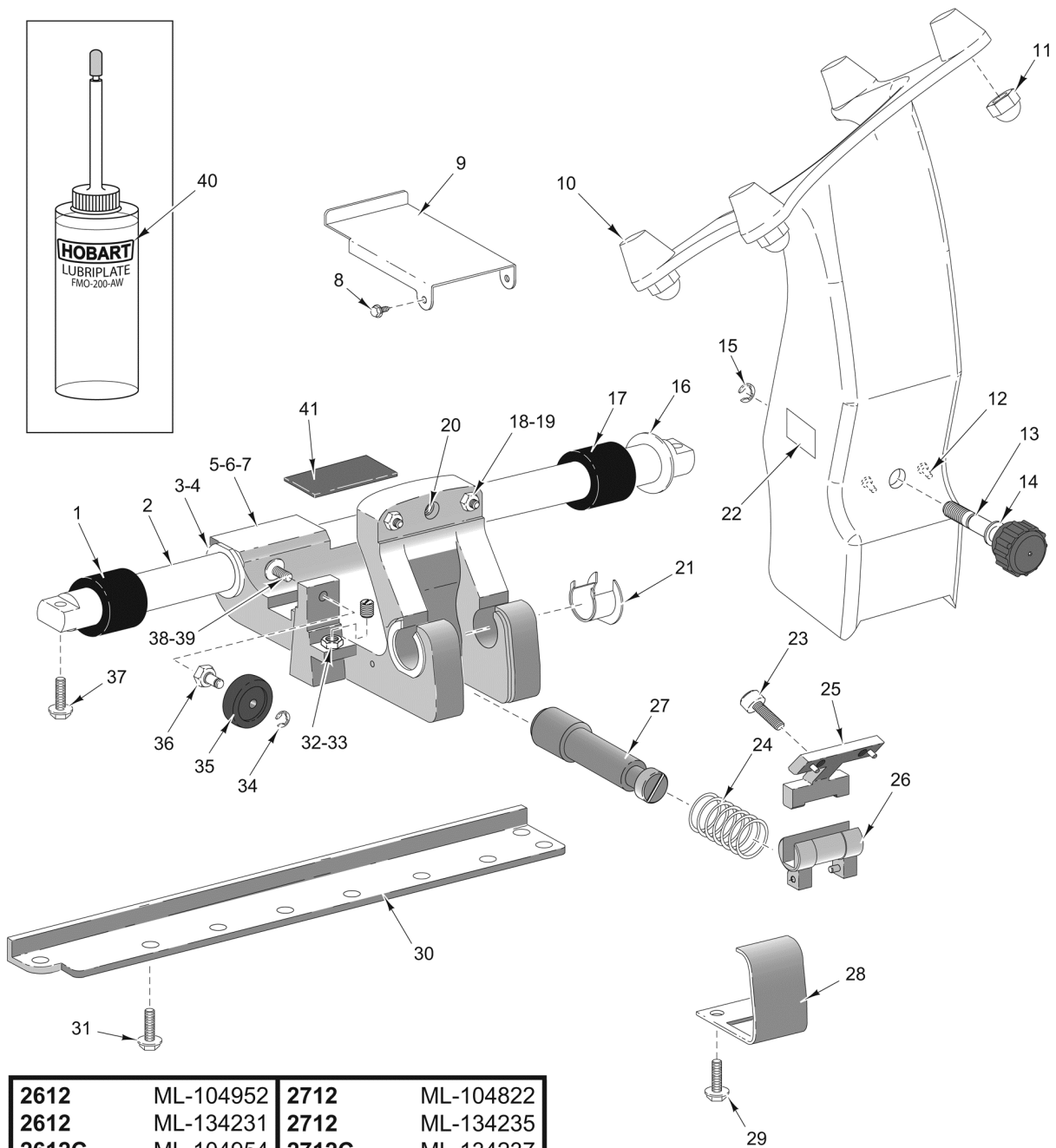
PL-57000

AUTOMATIC BASE UNIT

AUTOMATIC BASE UNIT

ILLUS.	PART NO.	NAME OF PART	AMT.
	PL-57000		
1	SC-040-53	Mach. Screw 10-24 x 7/8 Hex Socket Hd.....	4
2	WL-006-07	Lockwasher #10 Helical (SST).....	4
3	00-479531	Motor (115 V. Machines) (90 VDC).....	1
4	00-873654	Motor (230 V. Machines) (180 VDC).....	1
5	00-873230	Potentiometer Kit Assy. (2912 & 2912C) (2-Wire).....	1
6	00-478383	Switch Assy. (2712, 2712C, & 2712PHS).....	1
7	00-873630	PCB Assy. - Carriage Speed (2912B).....	1
8	00-873231	Kit - Potentiometer Assy. (3-Wire) (2912 & 2912C).....	1
9	00-873236	Stop - Two-Speed Slicer Stop - Multi-Speed Slicer (2912 & 2912C).....	1
10	00-873235	Stop - Two-Speed Control (2712, 2712C, & 2712PHS).....	1
11	WL-006-01	Lockwasher #8 Helical (SST) (All Except 2912PS).....	2
12	00-873234	Bracket - Speed Control (All Except 2912PS).....	1
13	00-106502	Push Nut.....	1
14	00-108001	Foot - Lifting Lever.....	1
15	00-478299	Spacer - Lift Lever.....	1
16	00-875366	Bearing - Lift Lever.....	1
17	00-873700	Lever - Lifting Assy. (Incls. Items 13, 14, 15, & 18).....	1
18	00-875356	Handle - Lift Lever.....	1
19	00-875220	Retainer - Lift Lever.....	1
20	SD-009-16	Self-Tapping Screw 1/4-20 x 3/4 Hex Hd., Type F.....	2
21	SD-038-77	Self-Tapping Screw 1/4-20 x 3/4 Hex Hd., Type F (2712PHS).....	2
22	SC-125-16	Cap Screw 5/16-18 x 5-1/4 Hex Hd.....	4
23	00-478409	Pin - Auto/Manual Stop 1/4 x 1.....	2
24	00-478039	Bearing - Carrier Shaft.....	1
25	00-479288	Label - Auto/Manual (Domestic) (2912PS).....	1
26	00-478274	Label - Auto/Manual (Domestic) (2712, 2712C, 2712PHS, 2912, & 2912C).....	1
27	SC-055-23	Set Screw 8-32 x 5/8 Hex Hd., Cup Pt. (SST) (All Except 2912PS).....	2
28	00-875358	Knob Assy. - Speed Control (All Except 2912PS).....	1
29	00-478265	Label - Speed Select (Domestic) (2912 & 2912C).....	1
30	00-478296	Label - Speed Select (Domestic) (2712, 2712C, & 2712PHS).....	1
31	00-875143	Gasket - Bezel (2912PS).....	1
32	00-873506-00002	Bezel (2912PS).....	1
33	SD-038-53	Self-Tapping Screw 6-32 x 5/8 Hex Washer Hd., Type RL (2912PS).....	6
34	00-479614	Keypad - Scale (2912PS).....	1
35	WL-006-40	Lockwasher #6 Light (2912PS).....	6
36	NS-011-07	Nut 6-32 Hex (SST) (2912PS).....	6
37	00-873638	Vane - Sensor (2912B).....	1
38	SC-118-55	Mach. Screw M3 x 0.5 x 8mm Slotted Pan Hd. (SST) (For PCB).....	1
39	00-873641	PCB Assy. - Speed/Position Sensor (2912B).....	1
40	SC-118-55	Mach. Screw M3 x 0.5 x 8mm Slotted Pan Hd. (SST) (For PCB.) (For Vane).....	1
41	00-875372	Foot (Short).....	4
42	00-478275	Kit - Leg Set (4 In.).....	1
43	00-873727	Leg Set (3 In.).....	1
44	00-875371	Foot - Tall.....	4
45	00-873698-00002	Base - Automatic (Painted) (All Except 2712PHS & 2912PS).....	1
46	00-873698-00003	Base - Automatic (Painted) (2912PS).....	1
47	00-873698-00004	Base - Automatic (Polished Aluminum) (2712PHS).....	1
48	00-478039	Bearing - Carrier Shaft.....	1
49	00-875373	Plug - Hole (Large).....	1
50	00-478441	Grommet - Electric.....	2
51	NS-011-12	Stop Nut 8-32 (SST) (All Except 2912PS).....	2
52	00-478467	Kit - Motor Brush (Bodine Motor) (Incls. 2 Brushes).....	2
53	00-478449	Kit - Motor Brush (Bison Motor) (Incls. 1 Brush).....	1
54	00-479684	Kit - Motor Brush (Worldport Motor) (Turdan) (Incls. 1 Brush).....	1
*55	00-915165	Sub-base Assy. (Painted) (Incls. Items 5, 9, 11, 12, 23, 24, 26 thru 29, 41, 45, & 48 thru 51) (2912).....	1
*56	00-915166	Sub-base Assy. (Burnished) (Incls. Items 5, 9, 11, 12, 23, 24, 26 thru 29, 41, & 47 thru 51) (2912).....	1
57	00-873255	Tall Foot & Skid Plate Assy. (2912B).....	1
58	00-875396	Tall Foot & Skid Plate Assy. (With Wall Chart) (2912B).....	1

* (Additional items included in this assembly are listed in Auto Carrier Unit.)



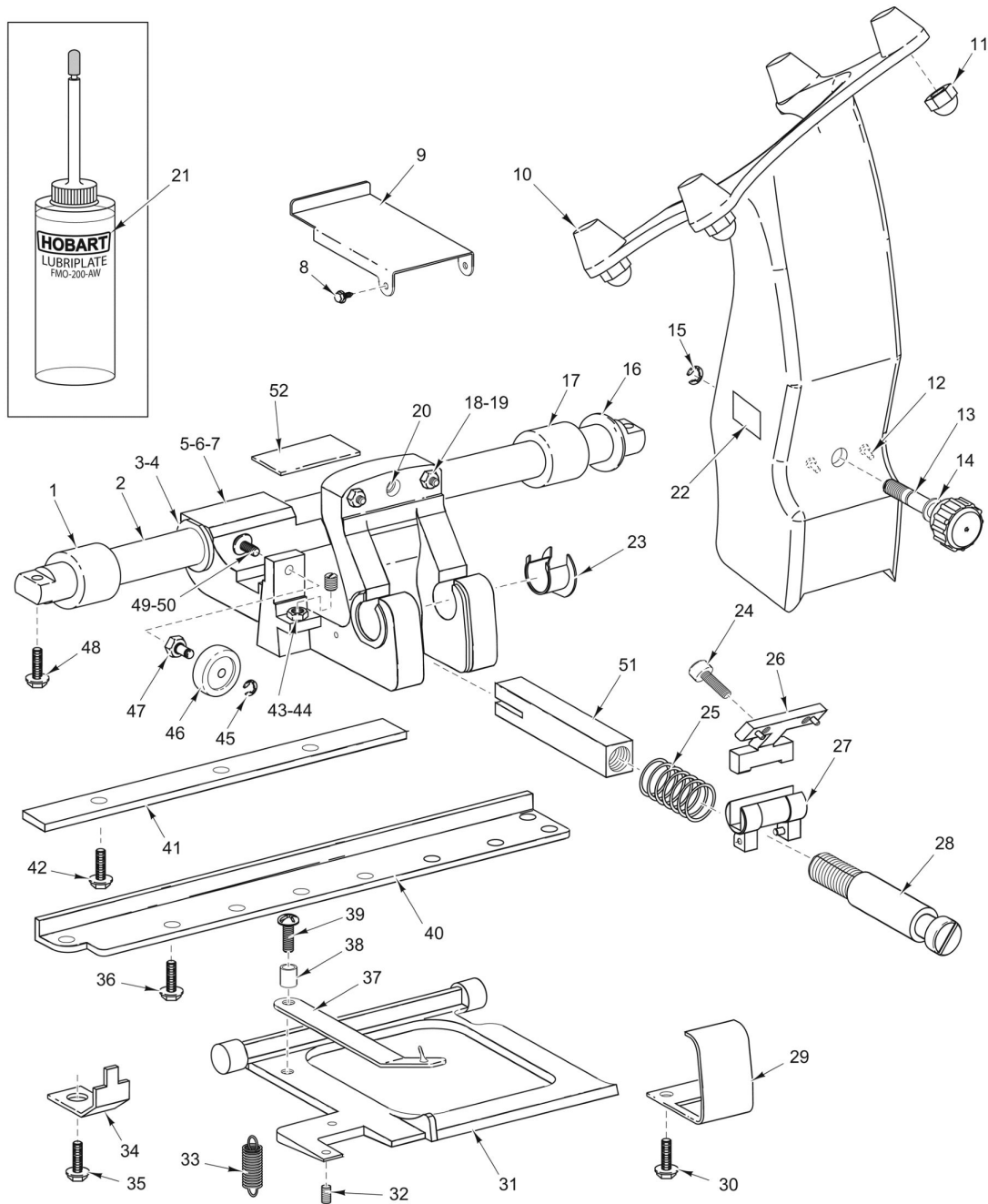
2612	ML-104952	2712	ML-104822
2612	ML-134231	2712	ML-134235
2612C	ML-104954	2712C	ML-134237
2612C	ML-134233	2712PHS	ML-134238
2612GC	ML-136100		
2612PHS	ML-104968		
2612PHS	ML-134234		

PL-57013

**TRANSPORT CARRIER
(2612 & 2712 SERIES)**

**TRANSPORT CARRIER
(2612 & 2712 SERIES)**

ILLUS. PL-57013	PART NO.	NAME OF PART	AMT.
1	00-477555	Bumper - Slide Rod.....	1
2	00-438907	Slide - Rod.....	1
3	00-875658	Bearing - Transport.....	2
4	00-439007	Bearing - Transport (Nylon).....	1
5	00-875659	Transport - Carriage.....	6
6	00-875374	Plug - Transport Hole.....	6
7	00-439064	Magnet - Transport.....	1
8	SD-038-16	Self-Tapping Screw 6-32 x 3/8 Hex Washer Hd., Type RL.....	2
9	00-478424	Cover - Interlock.....	1
10	00-479676-00002	Support - Tray Assy.....	1
11	00-913102-00090	Washer & Crown Nut 1/4-20.....	4
12	00-439045	Stud - Drive.....	2
13	00-875450	Knob - Support Tray Assy.....	1
14	00-478021	Washer - Belleville.....	2
15	RR-012-17	Retaining Ring.....	1
16	00-435708	Washer - Backup (SST).....	2
17	00-477555	Bumper - Slide Rod.....	1
18	SC-128-35	Set Screw 5/16-18 x 1 Slotted Hdls., Flat Pt.....	2
19	NS-018-06	Jam Nut 5/16-18 Hex (SST).....	2
20	00-519826	Insert - Screw.....	1
21	00-439006	Bearing - Pivot.....	2
22	00-477733	Label - Start (Home) (2712, 2712C, & 2712PHS).....	1
23	SC-123-08	Cap Screw 1/4-20 x 5/8 Hex Socket Hd. (SST).....	2
24	00-438902	Spring - Interlock Bar.....	1
25	00-873535-00002	Plate - Key.....	1
26	00-873534-00002	Pivot - Tilttable Carrier.....	1
27	00-875445	Shaft - Pivot Return.....	1
28	00-438900	Cover - Transport.....	1
29	SD-038-16	Self-Tapping Screw 6-32 x 3/8 Hex Washer Hd., Type RL.....	2
30	00-438908	Bar - Transport Roller.....	1
31	SD-038-22	Self-Tapping Screw 10-24 x 1/2 Hex Washer Hd., Type RL.....	4
32	00-477747	Set Screw - Special.....	1
33	NS-017-20	Jam Nut 3/8-24 Hex.....	1
34	RR-006-23	Retaining Ring.....	1
35	00-478420	Roller - Transport.....	1
36	00-438911	Screw - Adjusting.....	1
37	SD-033-08	Self-Tapping Screw 5/16-18 x 1 Hex Washer Hd., Type TT.....	2
38	WS-003-49	Washer 0.266 x 0.563 x 0.062 (SST).....	1
39	SC-123-56	Mach. Screw 1/4-28 x 1/2 Hex Button Hd. (SST).....	1
40	00-437906	Bottle - Oil and Label Assy.....	1
41	00-439017	Wick - Slide Rod Lubrication.....	1



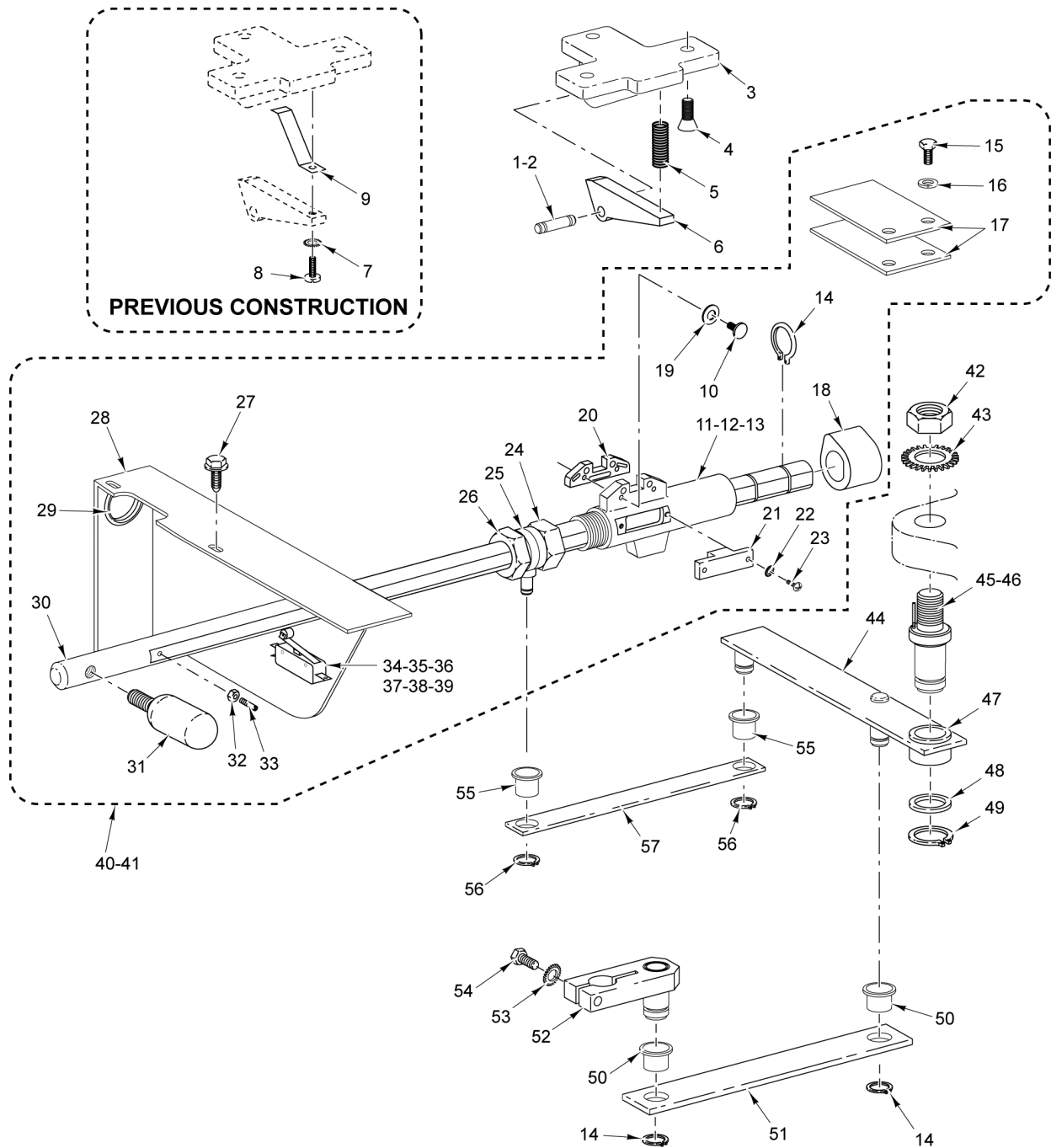
2812	ML-134239	2812PS	ML-136167	2912	ML-134245	2912	ML-104996
2812	ML-136110	2812PS	ML-136169	2912	ML-136111	2912PS	ML-134247
2812	ML-136112	2812ALB	ML-136164	2912	ML-136113	2912PS	ML-136175
2812	ML-104616	2812ALB	ML-134243	2912	ML-136153	2912C	ML-134248
2812	ML-104617	2812C	ML-134244	2912	ML-136154	2912C	ML-136174
2812PS	ML-134241	2812C	ML-136168	2912	ML-136188	2912B	ML-134251
2812PS	ML-136114	2812CB	ML-136141	2912	ML-136189		

PL-57087

**TRANSPORT CARRIER
(2812 & 2912 SERIES)**

TRANSPORT CARRIER (2812 & 2912 SERIES)

ILLUS. PL-57087	PART NO.	NAME OF PART	AMT.
1	00-477555	Bumper - Slide Rod.....	1
2	00-438907	Slide - Rod.....	1
3	00-875658	Bearing - Transport.....	2
4	00-439007	Bearing - Transport (Nylon).....	AR
5	00-875659	Transport - Carriage.....	1
6	00-875374	Plug - Transport Hole.....	6
7	00-439064	Magnet - Transport.....	1
8	SD-038-16	Self-Tapping Screw 6-32 x 3/8 Hex Washer Hd., Type RL.....	2
9	00-478424	Cover - Interlock.....	1
10	00-479676-00001	Support - Tray Assy.....	1
11	00-913102-00090	Washer & Crown Nut 1/4-20.....	4
12	00-439045	Stud - Drive.....	2
13	00-875450	Knob - Support Tray Assy.....	1
14	00-478021	Washer - Belleville.....	2
15	RR-012-17	Retaining Ring.....	1
16	00-435708	Washer - Backup (SST).....	2
17	00-477555	Bumper - Slide Rod.....	1
18	SC-128-35	Set Screw 5/16-18 x 1 Slotted Hdls., Flat Pt.....	2
19	NS-018-06	Jam Nut 5/16-18 Hex (SST).....	2
20	00-519826	Insert - Screw.....	1
21	00-437906	Bottle - Oil and Label Assy.....	1
22	00-477733	Label - Start (Home).....	1
23	00-439006	Bearing - Pivot.....	2
24	SC-123-08	Cap Screw 1/4-20 x 5/8 Hex Socket Hd. (SST).....	2
25	00-438902	Spring - Interlock Bar.....	1
26	00-873535-00002	Plate - Key.....	1
27	00-873534-00002	Pivot - Tilttable Carrier.....	1
28	00-438903	Shaft - Interlock Bar.....	1
29	00-438900	Cover - Transport.....	1
30	SD-038-16	Self-Tapping Screw 6-32 x 3/8 Hex Washer Hd., Type RL.....	2
31	00-479682-00002	Plate - Pivoting Interlock.....	1
32	SC-125-12	Set Screw 1/4-28 x 5/8 Hex Hdls., Cup Pt. (SST).....	1
33	00-438897	Spring - Plate Pivoting.....	1
34	00-438896	Clip - Plate Pivoting.....	2
35	SD-038-22	Self-Tapping Screw 10-24 x 1/2 Hex Washer Hd., Type RL.....	2
36	SD-038-22	Self-Tapping Screw 10-24 x 1/2 Hex Washer Hd., Type RL.....	4
37	00-478421	Follower - Interlock Plate.....	1
38	00-477749	Bushing - Follower & Wick Cover.....	1
39	SC-123-07	Mach. Screw 8-32 x 1/2 Slotted Truss Hd.....	1
40	00-438908	Bar - Transport Roller.....	1
41	00-915103	Bar - Lockout.....	1
42	SD-015-07	Self-Tapping Screw 1/4-20 x 5/8 Hex Washer Hd., Type RL.....	3
43	00-477747	Set Screw - Special.....	1
44	NS-017-20	Jam Nut 3/8-24 Hex.....	1
45	RR-006-23	Retaining Ring.....	1
46	00-478420	Roller - Transport.....	1
47	00-438911	Screw - Adjusting.....	1
48	SD-033-08	Self-Tapping Screw 5/16-18 x 1 Hex Washer Hd., Type TT.....	1
49	WS-003-49	Washer 0.266 x 0.563 x 0.062 (SST).....	2
50	SC-123-56	Mach. Screw 1/4-28 x 1/2 Hex Button Hd. (SST).....	1
51	00-478428	Bar - Transport Interlock.....	1
52	00-439017	Wick - Slide Rod Lubrication.....	1



2712	ML-104822	2912	ML-134245	2912	ML-136154	2912PS	ML-134247
2712	ML-134235	2912	ML-136111	2912	ML-136188	2912PS	ML-136175
2712C	ML-134237	2912	ML-136113	2912	ML-136189	2912C	ML-134248
2712PHS	ML-134238	2912	ML-136153	2912	ML-104996	2912C	ML-136174
						2912B	ML-134251

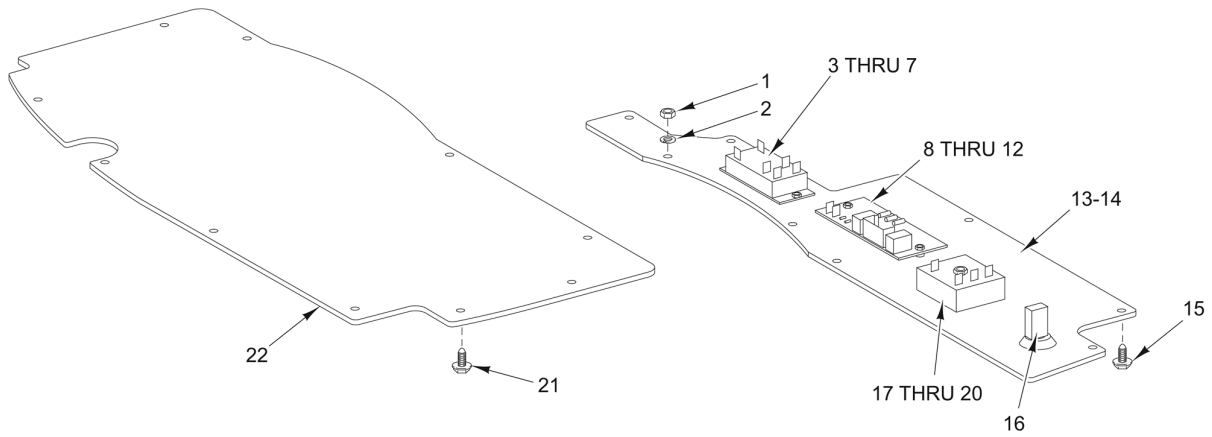
PL-57003

AUTOMATIC CARRIER UNIT

AUTOMATIC CARRIER UNIT

ILLUS.	PART NO.	NAME OF PART	AMT.
1	00-477767	Shaft - Pawl.....	1
2	RR-010-06	Retaining Ring.....	2
3	00-875474-00002	Bracket - Pawl.....	1
4	SD-024-29	Self-Tapping Screw 10-32 x 3/4 Phil. Flat Hd., Type TT.....	3
5	00-478429	Spring - Pawl.....	1
6	00-873591	Pawl - Auto-Engage.....	1
7	WL-007-02	Lockwasher #6 External (Previous Construction).....	1
8	SC-009-49	Mach. Screw 6-32 x 3/8 Rd. Hd. (Previous Construction).....	1
9	00-477762	Pawl - Auto-Engage (Previous Construction).....	1
10	SC-007-68	Mach. Screw 8-32 x 5/8 Slotted Rd. Hd.....	2
11	00-477755-00002	Carrier - Automatic.....	1
12	00-478269	Bearing (Auto) - Carrier.....	2
13	00-478277	Wick - Carrier.....	1
14	RR-007-21	Retaining Ring.....	4
15	SD-038-22	Self-Tapping Screw 10-24 x 1/2 Hex Washer Hd., Type RL.....	2
16	WL-008-13	Lockwasher #10 Internal Shakeproof.....	2
17	00-478407	Spring - Auto/Manual Lock.....	2
18	00-478406	Lock - Auto/Manual.....	1
19	WL-007-07	Lockwasher #8 External Shakeproof.....	2
20	00-477763-00002	Ramp - Auto-Engage.....	1
21	00-477775	Key - Auto-Engage.....	1
22	WL-007-02	Lockwasher #6 External.....	2
23	SC-009-49	Mach. Screw 6-32 x 3/8 Rd. Hd.....	2
24	00-478025	Nut - Swivel Lock.....	1
25	00-477761-00002	Swivel - Auto-Carrier.....	1
26	00-478024	Lock - Swivel.....	1
27	SD-038-16	Self-Tapping Screw 6-32 x 3/8 Hex Washer Hd., Type RL.....	2
28	00-479954	Bracket - Switch.....	1
29	00-479950	Grommet - Electrical.....	1
30	00-477764	Shaft - Auto-Carrier.....	1
31	00-875353	Knob & Lever Assy.....	1
32	NS-018-01	Jam Nut 1/4-20 Hex (SST).....	1
33	00-478408	Pin - Carrier Shaft.....	1
34	00-087711-00270	Switch - Auto/Manual (2912PS Uses Quantity of 2).....	1
35	00-478284	Barrier - Mylar.....	1
36	NS-009-02	Nut 4-40 Hex.....	2
37	WL-006-43	Lockwasher #4 Helical (SST).....	2
38	SC-060-40	Mach. Screw 4-40 x 5/8 Slotted Rd. Hd.....	2
39	SC-112-90	Mach. Screw 4-40 x 1 Slotted Pan Hd. (2912PS).....	2
*40	00-915165	Sub-base Assy. (Painted) (Incls. Items 10 thru 38) (2912).....	1
*41	00-915166	Sub-base Assy. (Burnished) (Incls. Items 10 thru 38) (2912).....	1
42	NS-017-41	Jam Nut 5/8-18 Hex (SST).....	1
43	WL-019-12	Lockwasher 5/8 External.....	1
44	00-478003	Main Link Assy. (Incls. Item 47).....	1
45	00-477781	Pivot - Main Link.....	1
46	RP-005-04	Roll Pin 1/8 Dia. x 3/4 Lg.....	1
47	00-478027	Bearing - Main Link.....	1
48	00-478040	Washer - Main Link.....	2
49	RR-009-05	Retaining Ring.....	1
50	00-478030	Bearing - Motor Link.....	2
51	00-478005	Link Assy. - Motor Drive.....	1
52	00-873438	Motor Crank Link Assy.....	1
53	WL-007-16	Lockwasher 1/4 External Shakeproof.....	1
54	SC-118-17	Cap Screw 1/4-20 x 1-1/4 Hex Hd.....	1
55	00-478028	Bearing - Carrier Link.....	2
56	RR-009-03	Retaining Ring.....	2
57	00-478006	Link Assy. - Carrier.....	1

* (Additional items included in this assembly are listed in Auto Base Unit.)



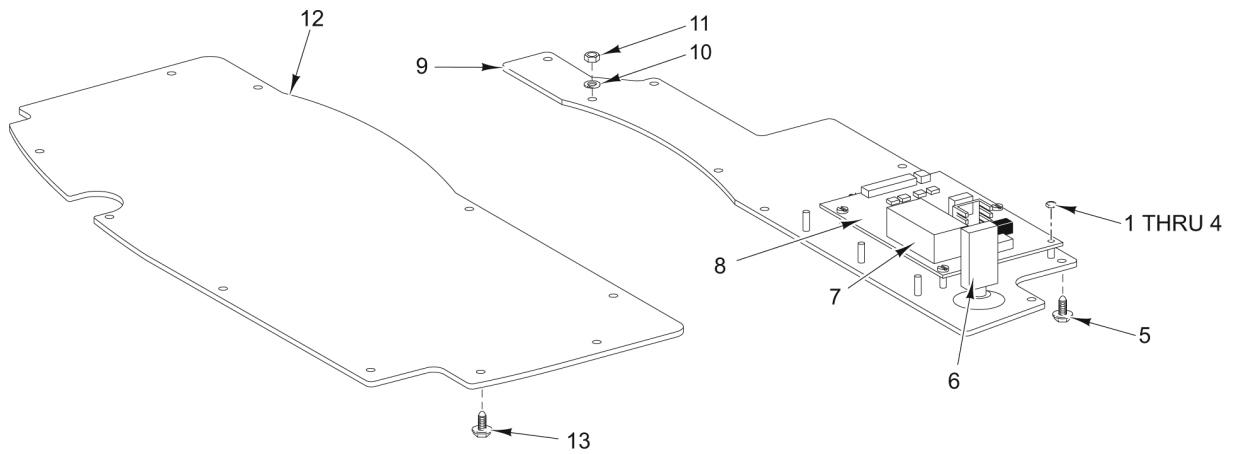
2712	ML-104822	2912	ML-134245	2912	ML-136154	2912C	ML-134248
2712	ML-134235	2912	ML-136111	2912	ML-136188	2912C	ML-136174
2712C	ML-134237	2912	ML-136113	2912	ML-136189		
2712PHS	ML-134238	2912	ML-136153	2912	ML-104996		

PL-57015

**ELECTRICAL COVER ASSEMBLY
(2712 & 2912 SERIES)**

**ELECTRICAL COVER ASSEMBLY
(2712 & 2912 SERIES)**

ILLUS. PL-57015	PART NO.	NAME OF PART	AMT.
1	NL-011-12	Nut 8-32 Hex (SST).....	1
2	WL-014-05	Lockwasher #8 External Shakeproof (SST).....	1
3	00-087714-042-1	Relay (2-Pole) (120 VAC) (30 Amp.).....	1
4	00-087714-042-3	Relay (2-Pole) (240 VAC).....	1
5	WS-023-22	Washer (SST).....	2
6	WL-007-01	Lockwasher #6 External Shakeproof.....	2
7	NS-009-07	Nut 6-32 Hex.....	2
8	00-479708	Board - Printed Circuit.....	1
9	00-478392	Spacer - Nylon.....	2
10	WS-023-22	Washer (SST).....	2
11	WL-007-01	Lockwasher #6 External Shakeproof.....	2
12	NS-009-07	Nut 6-32 Hex.....	2
13	00-873485-00001	Cover - Electrical (Without Auto Shutoff).....	1
14	00-873485-00002	Cover - Electrical (With Auto Shutoff).....	1
15	SD-038-16	Self-Tapping Screw 6-32 x 3/8 Hex Washer Hd., Type RL.....	8
16	00-088196-00028	Breaker - Thermal Overload (2 Amp.).....	1
17	00-087714-069-1	Timer - Relay (115 V.) (Auto Shutoff Only).....	1
18	WS-022-01	Washer (2912 & 2912C).....	1
19	WL-014-07	Lockwasher #10 External Shakeproof (SST).....	1
20	NS-011-18	Nut 10-24 Hex (SST) (2912 & 2912C).....	1
21	SD-038-16	Self-Tapping Screw 6-32 x 3/8 Hex Washer Hd., Type RL.....	10
22	00-478034-00001	Cover - Bottom.....	1

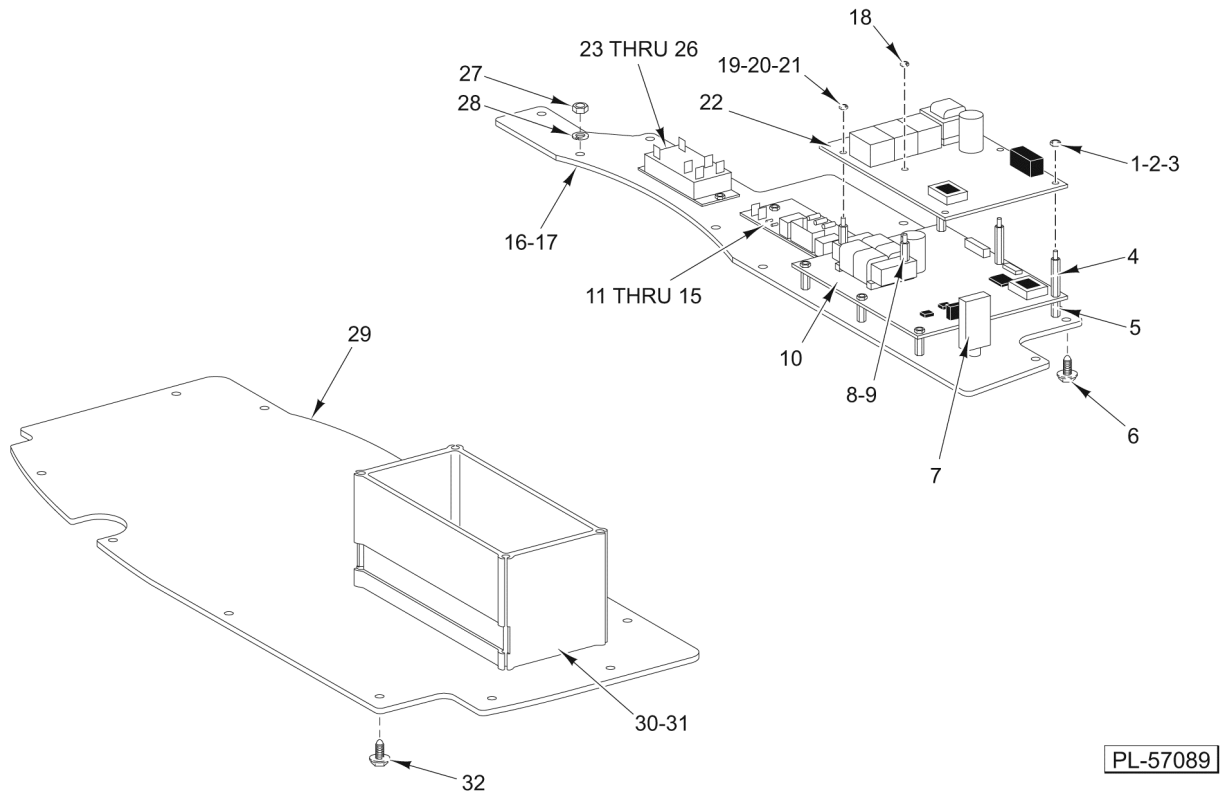


PL-57690

**ELECTRICAL COVER ASSEMBLY
(2912B, ML-134251)**

**ELECTRICAL COVER ASSEMBLY
(2912B, ML-134251)**

ILLUS. PL-57690	PART NO.	NAME OF PART	AMT.
1	WL-007-01	Lockwasher #6 External Shakeproof.....	5
2	WS-031-32	Washer.....	5
3	NS-009-07	Nut 6-32 Hex.....	5
4	00-478285-00002	Standoff.....	5
5	SD-038-16	Self-Tapping Screw 6-32 x 3/8 Hex Washer Hd., Type RL.....	8
6	00-088196-00028	Breaker - Thermal Overload (2 Amp.).....	1
7	00-087714-042-1	Relay (2-Pole) (120 VAC) (30 Amp.).....	1
8	00-873633	PCB Assy. - Slicer Control Board.....	1
9	00-873485-00003	Cover - Electrical (115 V.).....	1
10	WL-014-05	Lockwasher #8 External Shakeproof (SST).....	1
11	NS-011-12	Stop Nut 8-32 (SST).....	1
12	00-478034-00001	Cover - Bottom.....	1
13	SD-038-16	Self-Tapping Screw 6-32 x 3/8 Hex Washer Hd., Type RL.....	10

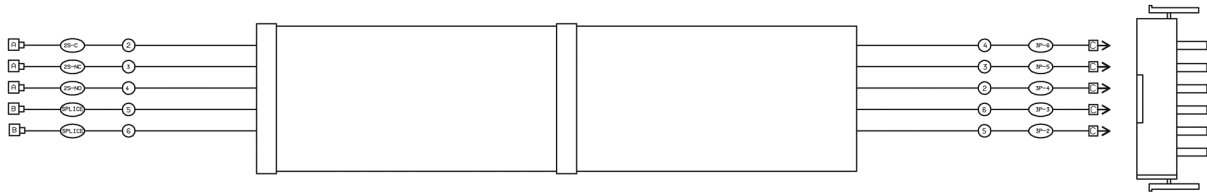


PL-57089

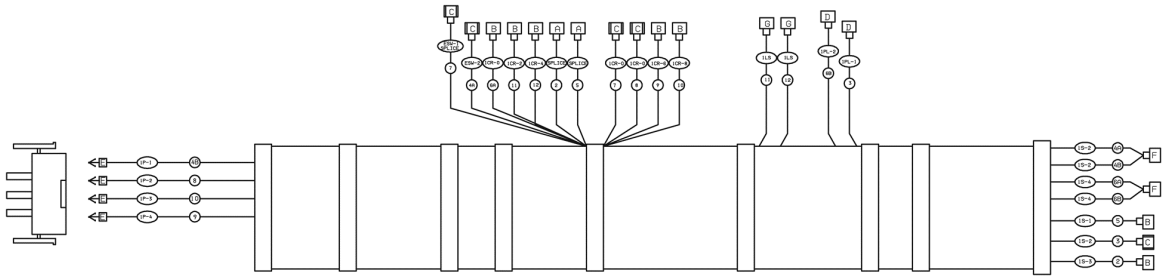
**ELECTRICAL COVER ASSEMBLY
(2912PS, ML-134247 & ML-136175)**

**ELECTRICAL COVER ASSEMBLY
(2912PS, ML-134247 & ML-136175)**

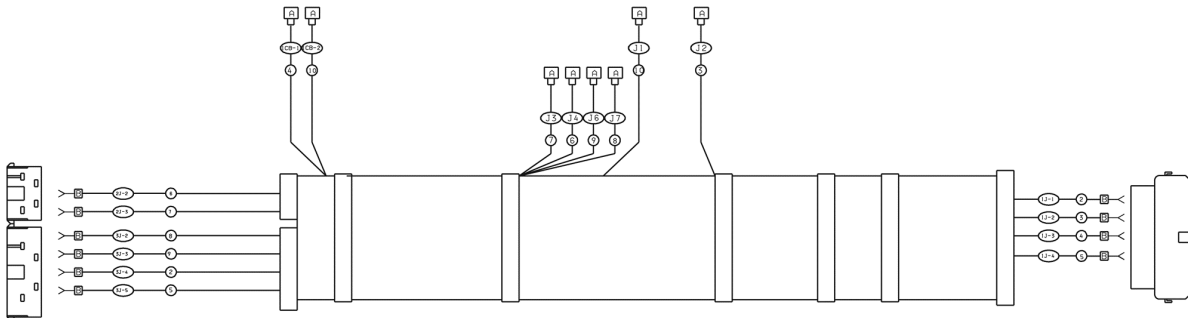
ILLUS. PL-57089	PART NO.	NAME OF PART	AMT.
1	WL-007-01	Lockwasher #6 External Shakeproof.....	3
2	WS-031-32	Washer.....	3
3	NS-009-07	Nut 6-32 Hex.....	3
4	00-478285-00003	Standoff.....	3
5	00-478285-00002	Standoff.....	6
6	SD-038-16	Self-Tapping Screw 6-32 x 3/8 Hex Washer Hd., Type RL.....	8
7	00-088196-00028	Breaker - Thermal Overload (2 Amp.).....	1
8	00-478285-00002	Standoff.....	2
9	SC-018-60	Mach. Screw 6-32 x 1-1/8 Phil. Pan Hd.....	2
10	00-873169	PCB Assy. - Scale.....	1
11	00-479708	Board - Printed Circuit.....	1
12	00-478392	Spacer - Nylon.....	2
13	WS-023-22	Washer (SST).....	2
14	WL-007-01	Lockwasher #6 External Shakeproof.....	2
15	NS-009-07	Nut 6-32 Hex.....	2
16	00-873485-00001	Cover - Electrical (Without Auto Shutoff).....	1
17	00-873485-00002	Cover - Electrical (With Auto Shutoff).....	1
18	NS-009-07	Nut 6-32 Hex.....	1
19	NS-009-07	Nut 6-32 Hex.....	1
20	WS-023-22	Washer (SST).....	1
21	WL-007-01	Lockwasher #6 External Shakeproof.....	1
22	00-873566	PCB Assy. - Slicer Control Board.....	1
23	00-087714-042-1	Relay (2-Pole) (120 VAC) (30 Amp.).....	1
24	WS-023-22	Washer (SST).....	2
25	WL-007-01	Lockwasher #6 External Shakeproof.....	2
26	NS-009-07	Nut 6-32 Hex.....	2
27	NS-011-12	Stop Nut 8-32 (SST).....	1
28	WL-014-05	Lockwasher #8 External Shakeproof (SST).....	1
29	00-478034-00002	Cover - Bottom (2912PS).....	1
30	00-478452	Chute - Load Cell Access.....	1
31	SD-036-39	Self-Tapping Screw 10-24 x 3/8 Slotted Truss Hd., Type TT (SST).....	4
32	SD-038-16	Self-Tapping Screw 6-32 x 3/8 Hex Washer Hd., Type RL.....	10



00-478280-1 Harness - Wiring



00-478384-1 Harness - Wiring



00-478385-1 Harness - Wiring

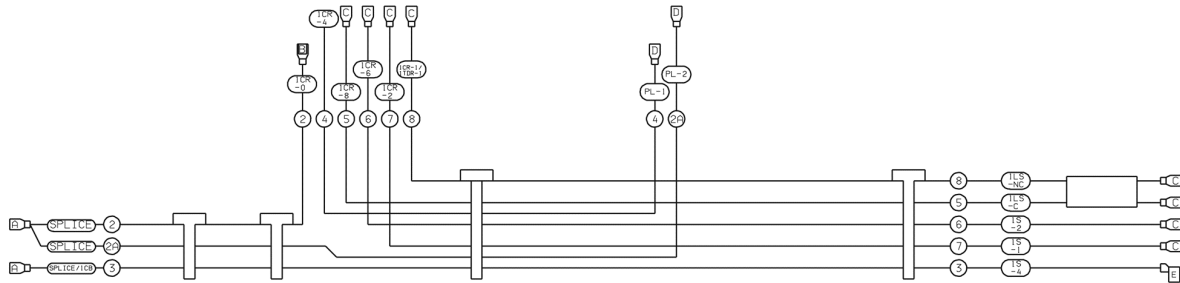
2712	ML-104822
2712	ML-134235
2712C	ML-134237
2712PHS	ML-134238

PL-57092

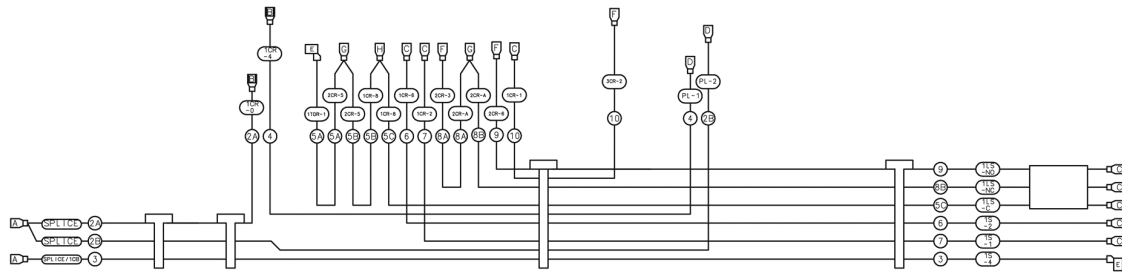
**WIRING HARNESS
(2712 SERIES)**

**WIRING HARNESS
(2712 SERIES)**

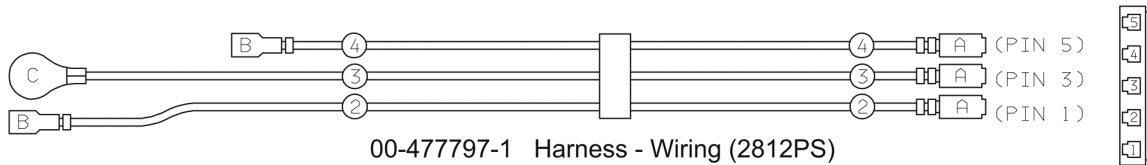
ILLUS. PL-57092	PART NO.	NAME OF PART	AMT.
1	00-478280-00001	Wiring Harness.....1	1
2	00-478384-00001	Wiring Harness.....1	1
3	00-478385-00001	Wiring Harness.....1	1



00-875126-1 Harness - Wiring
(2812, ML-134239, 2812C, ML-134244, 2812PS, ML-134241, & 2812CB, ML-136141)



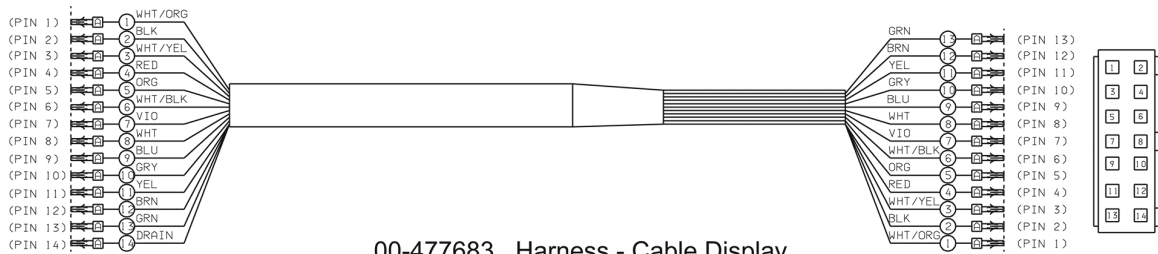
00-914229-1 Harness - Wiring
(With Auto Shutoff And Gauge Reset)
(2812, ML-136110 & 2812PS, ML-136114)



00-477797-1 Harness - Wiring (2812PS)



00-478352 Harness - Wiring (2812PS)



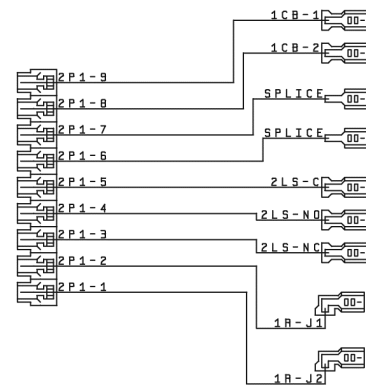
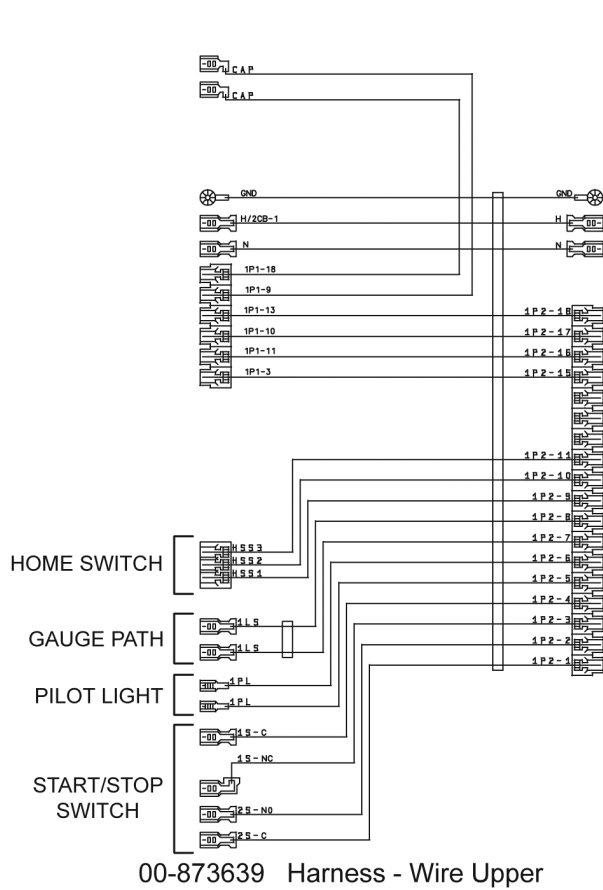
00-477683 Harness - Cable Display
(2812PS, ML-134241)

PL-57697

**WIRING HARNESS
(2812 & 2812PS SERIES)**

**WIRING HARNESS
(2812 & 2812PS SERIES)**

ILLUS.	PART NO.	NAME OF PART	AMT.
PL-57697			
1	00-875126-00001	Wiring Harness (ML-134239, ML-134244,.....)	AR
2	00-914229-00001	NLA - Obsolete--Wiring Harness (With Auto Shutoff and Gauge Reset) (ML-136110 & ML-136114).....	1
3	00-477797-00001	Wiring Harness (2812PS).....	1
4	00-478352	Wiring Harness (2812PS).....	1
5	00-477683	Wiring Harness (2812PS, ML-134241).....	1

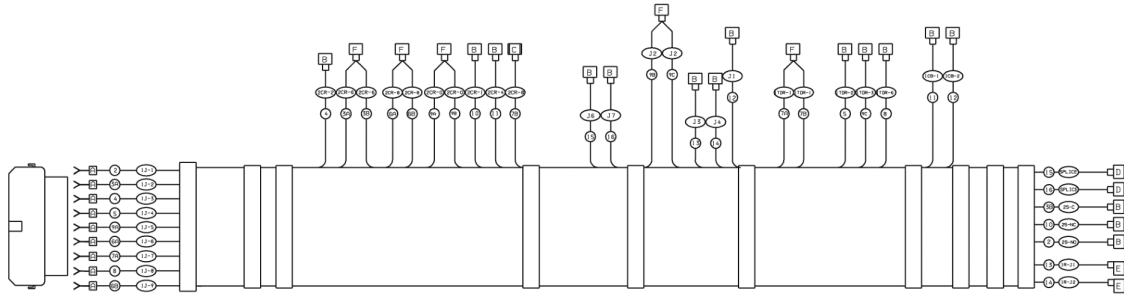


PL-57696

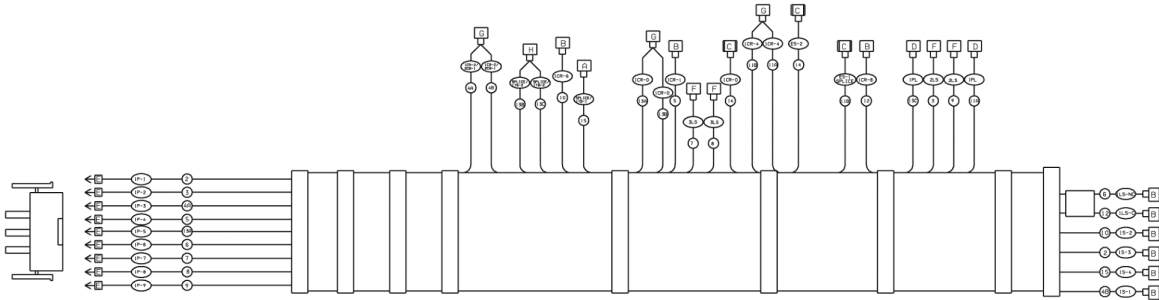
**WIRING HARNESS
(2912 ML-136111, ML-136113)
(2912B ML-134251)**

WIRING HARNESS
(2912 ML-136111, ML-136113)
(2912B ML-134251)

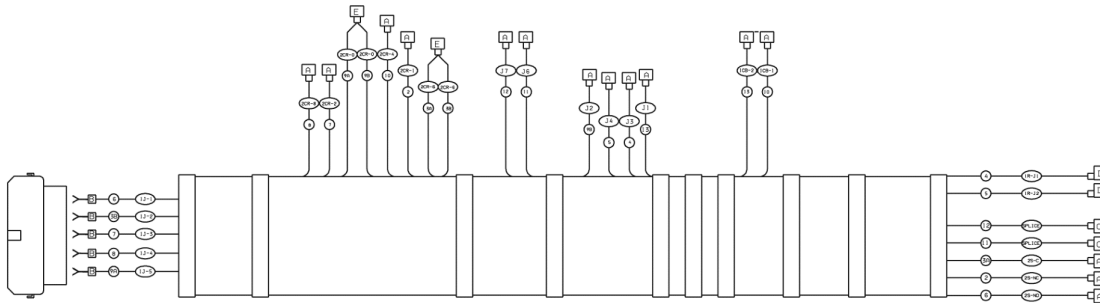
ILLUS.	PART NO.	NAME OF PART	AMT.
PL-57696			
1	00-873639	Wiring Harness (Upper).....	1
2	00-873640	Wiring Harness (Lower).....	1



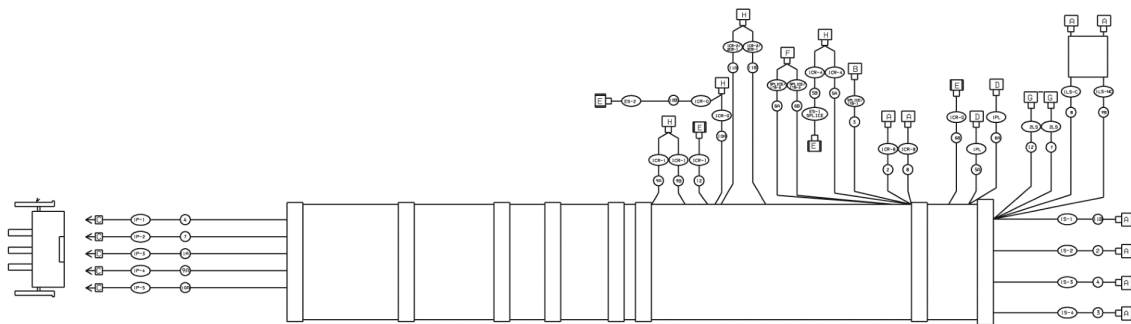
00-873726-1 Harness - Wiring Lower (With Auto Shutoff)



00-873551-1 Harness - Wiring Top (With Auto Shutoff)



00-873725-1 Harness - Wiring Lower (Without Auto Shutoff)



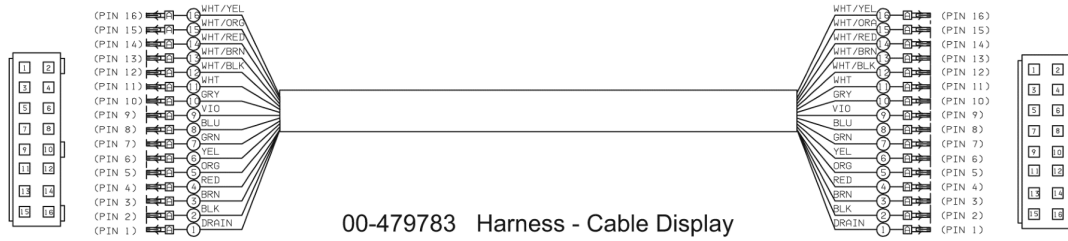
PL-57107

00-873550-1 Harness - Wiring Top (Without Auto Shutoff)

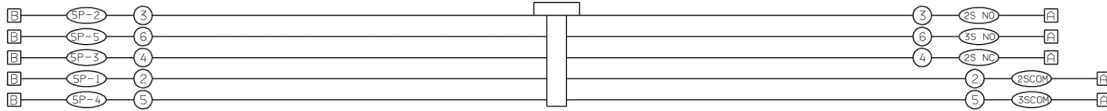
WIRING HARNESS
(2912 ML-134245, ML-136111, ML136113)
(2912C ML-134248)

WIRING HARNESS
(2912 ML-134245, ML-136111, ML136113)
(2912C ML-134248)

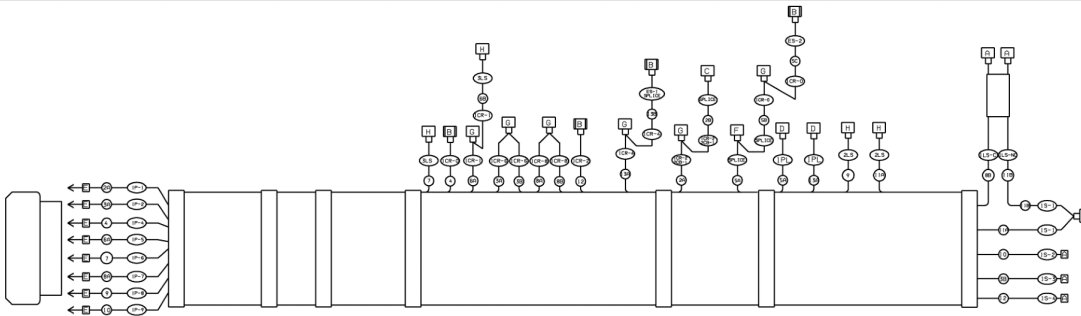
ILLUS.	PART NO.	NAME OF PART	AMT.
PL-57107			
1	00-873726-00001	Wiring Harness Lower (With Auto Shutoff).....	1
2	00-873551-00001	Wiring Harness Top (With Auto Shutoff).....	1
3	00-873725-00001	Wiring Harness Lower (Without Auto Shutoff).....	1
4	00-873550-00001	Wiring Harness (Top (Without Auto Shutoff).....	1



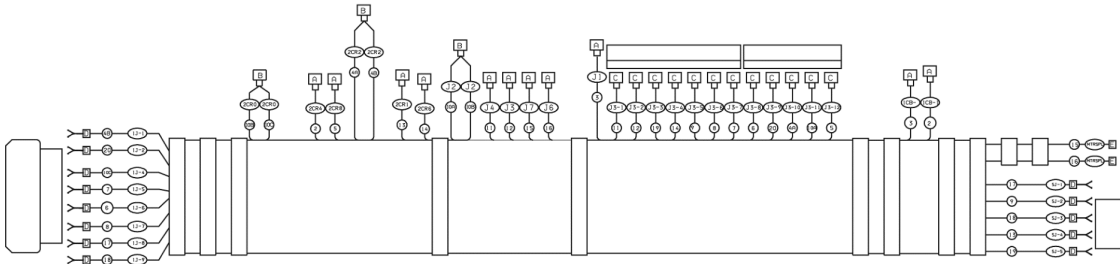
00-479783 Harness - Cable Display



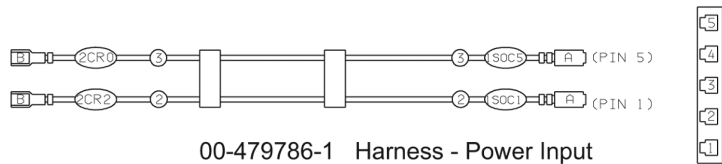
00-873785-1 Harness - Auto/Manual Switch



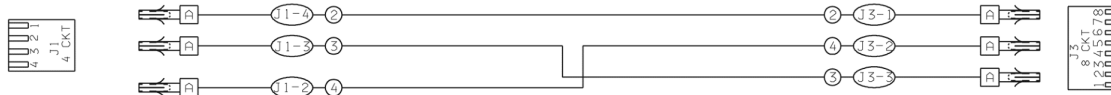
00-479785-1 Harness - Upper Wiring



00-873779-1 Harness - Lower Wiring



00-479786-1 Harness - Power Input



00-479784-1 Harness - Scale/Control Board

PL-57105

**WIRING HARNESS
(2912PS, ML-134247)**

**WIRING HARNESS
(2912PS, ML-134247)**

ILLUS.	PART NO.	NAME OF PART	AMT.
PL-57105			
1	00-479783	Harness - Cable Display.....	1
2	00-873785-00001	Harness - Auto/Manual Switch.....	1
3	00-479785-00001	Harness - Upper Wiring.....	1
4	00-873779-00001	Harness - Lower Wiring.....	1
5	00-479786-00001	Harness - Power Input.....	1
6	00-479784-00001	Scale/Control Board Wiring Harness.....	1

