



**CATALOG OF  
REPLACEMENT PARTS**

**REFRIGERATION SYSTEM  
HE SERIES**

## REFRIGERATION SYSTEM

### HE SERIES

#### MEDIUM TEMPERATURE

HES1	ML-41447
HEV1	ML-41448
HESD1	ML-41449
HEVD1	ML-41450

HES2	ML-41451
HEV2	ML-41452
HESD2	ML-41453
HEVD2	ML-41454

HES3	ML-41455
HEV3	ML-41456
HESD3	ML-41457
HEVD3	ML-41458

#### LOW TEMPERATURE

HESF1	ML-41459
HEVF1	ML-41460
HESDF1	ML-41461
HEVDF1	ML-41462

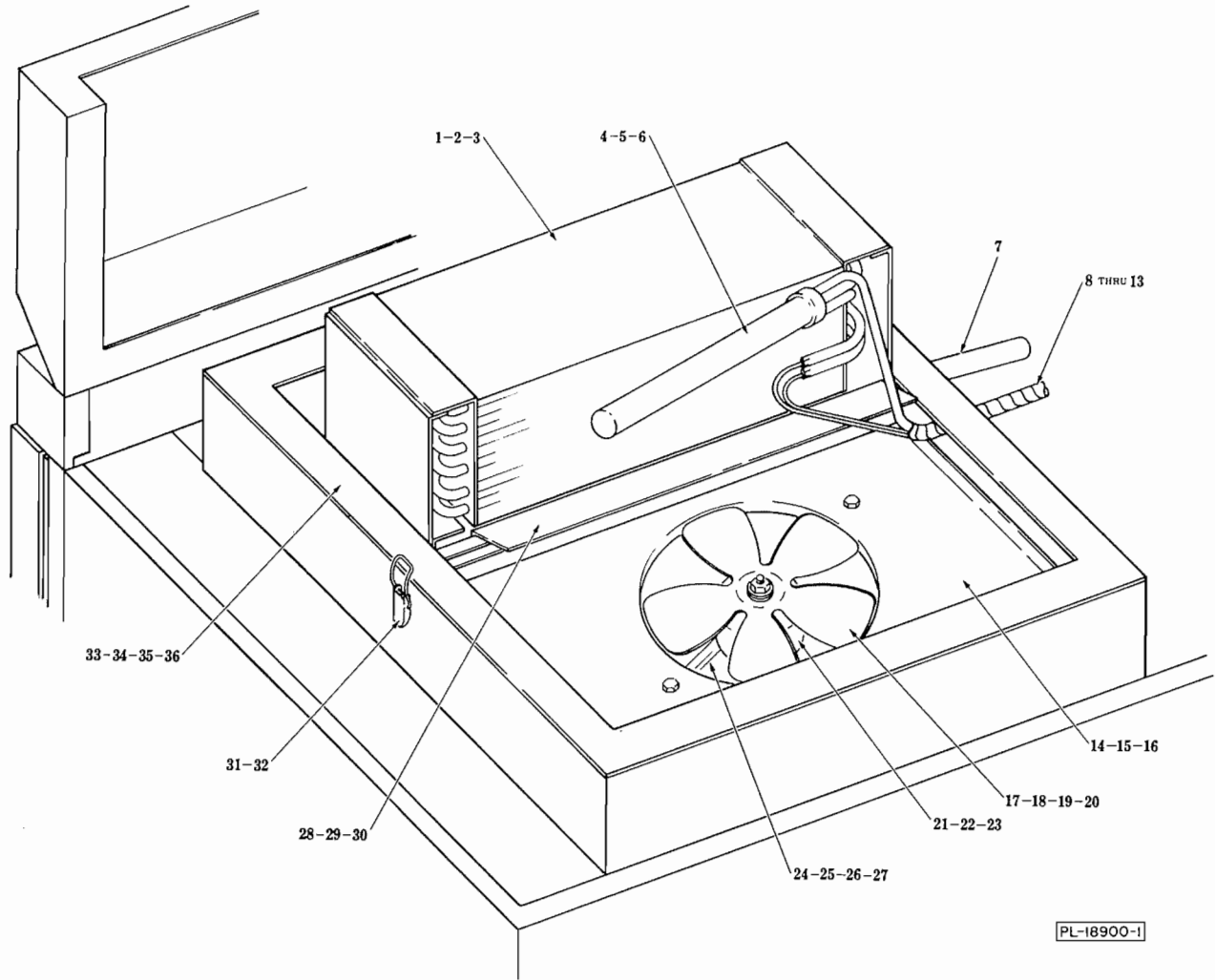
HESF2	ML-41463
HEVF2	ML-41464
HESDF2	ML-41465
HEVDF2	ML-41466

HESF3	ML-41467
HEVF3	ML-41468
HESDF3	ML-41469
HEVDF3	ML-41470

HE = Series  
S = SST Cabinet  
V = Vinyl Cabinet  
D = Double Door (Front & Rear)  
F = Low Temp.  
Numeral = No. of Compartments

## TABLE of CONTENTS

Page	Description
5	Evaporator (Medium Temp.)
7	Evaporator (Low Temp.)
9	Evaporator (Remote Mounted Compressor)
11	Condenser (HE1 & HE2)
13	Condenser (HEF1 & HEF2)
15	Condenser (HE3 & HEF3)
17	Door Unit
19	Top Trim & Back Panels
20	Compressors

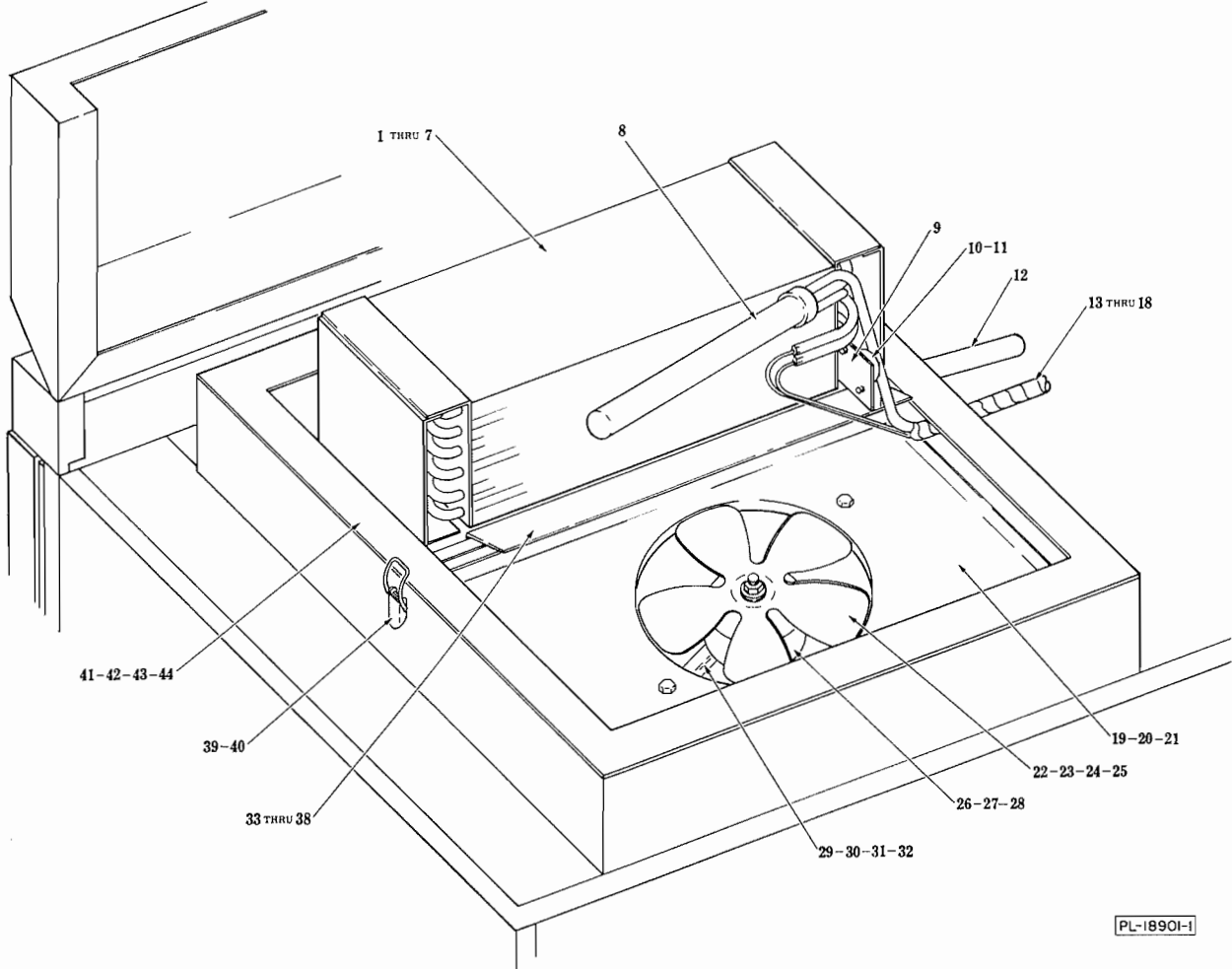


EVAPORATOR (MEDIUM TEMP)

EVAPORATOR (MEDIUM TEMP.)  
(HE1, HE2 & HE3)

ILLUS. PL-18900-1	PART NO.	NAME OF PART	AMT.
*1	262575	Evaporator	1
**2	262577	Evaporator	1
***3	263713	Evaporator	1
*4	262708	Accumulator	1
**5	262704	Accumulator	1
***6	262712	Accumulator	1
7	239408	Tube - Drain	1
*8	264382	Heat Exchanger Assy	1
**9	239430	Heat Exchanger Assy	1
***10	264414	Heat Exchanger Assy	1
*11	262668	Capillary Tube Assy. (.054 I.D. x 13 Ft.)	1
**12	262679	Capillary Tube Assy. (.059 I.D. x 9 Ft.)	1
***13	262681	Capillary Tube Assy. (.054 I.D. x 8 Ft.)	1
*14	263737	Orifice	1
**15	239483	Orifice	1
***16	263738	Orifice	1
17	265773-1	Blade - Fan (Aluminum)	1
18	265773-2	Blade - Fan (Galv.)	1
19	263339	Nut - 1/4"-20 (Special)	1
20	265182	Washer - Vibrating	1
21	265326-1	Motor - 115 V. (Incls. items #20 & 23)	1
22	265326-2	Motor - 230 V. (Incls. items #20 & 23)	1
23	265181	Mach. Screw - #8-36 x 3/8" Phil. Rd. Hd. (Special)	3
*24	239480	Bracket - Motor	1
**25	239490	Bracket - Motor	1
***26	239490	Bracket - Motor	1
27	260341	Clamp - Wire	AR
*28	266083	Drain Pan Assy	1
**29	266089-2	Drain Pan Assy	1
***30	266084	Drain Pan Assy	1
31	239097	Latch - Evaporator Housing	2
32	239098	Strike - Latch	2
33	260192-1	Gasket (26-1/2" Lg.)	AR
34	260192-4	Gasket (31-3/4" Lg.)	AR
35	260192-5	Gasket (37-5/16" Lg.)	AR
36	260192-6	Gasket (12-3/4" Lg.)	AR

\*HE1.  
\*\*HE2.  
\*\*\*HE3.

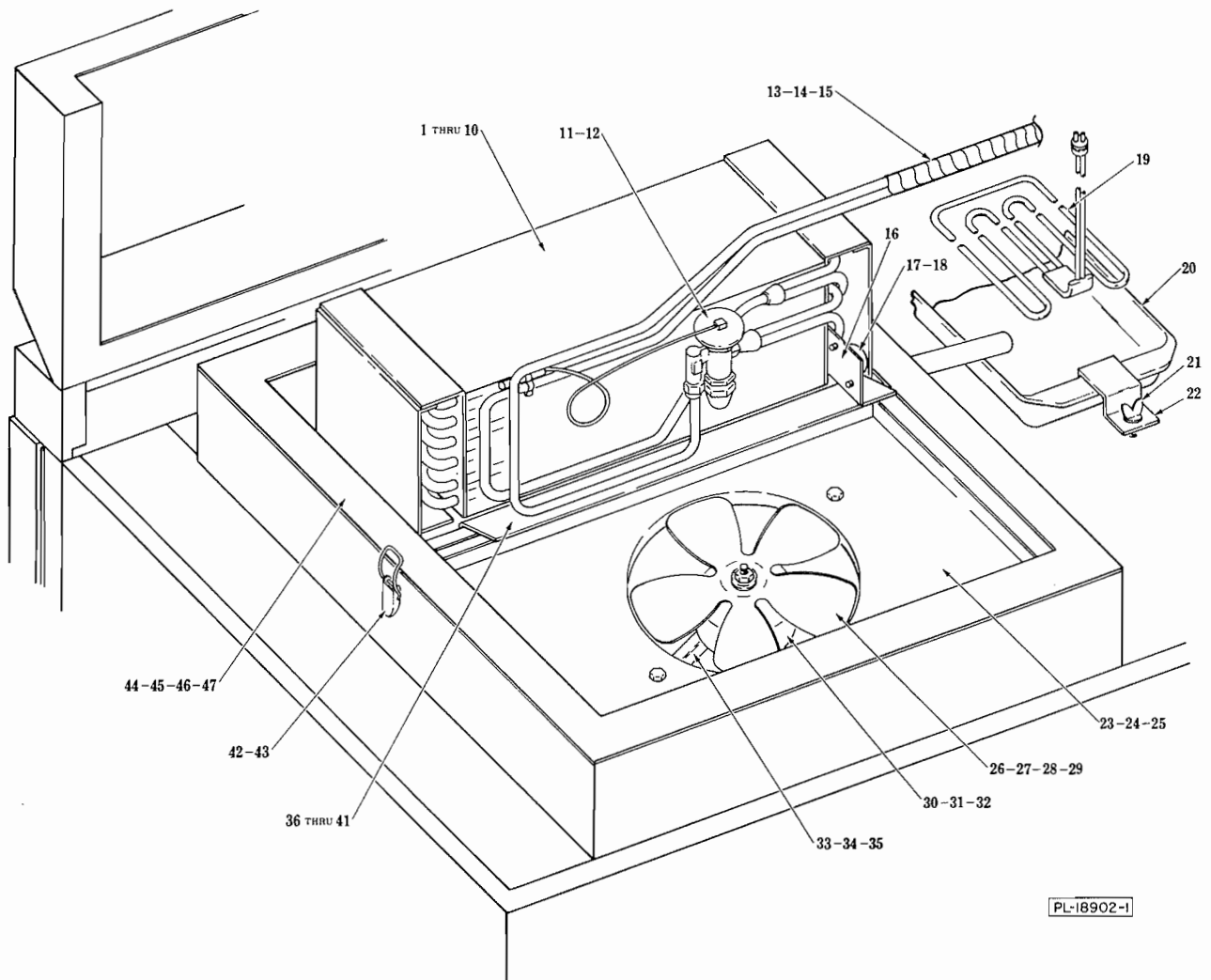


EVAPORATOR (LOW TEMP)

EVAPORATOR (LOW TEMP.)  
(HEF1, HEF2 & HEF3)

ILLUS. PL-18901-1	PART NO.	NAME OF PART	AMT.
*1	262576	Evaporator	1
**2	262578	Evaporator	1
***3	263713	Evaporator	1
*4	239079	Heater - Evaporator Defrost	1
**5	239083	Heater - Evaporator Defrost	1
***6	263712	Heater - Evaporator Defrost	1
7	261475	Clip - Defrost Heater to Evaporator	AR
8	262712	Accumulator	1
9	239872	Bracket - Safety Control	1
10	239419	Thermostat - Safety	1
11	261475	Clip - Thermostat Bulb	2
12	239408	Tube - Drain	1
*13	264383	Heat Exchanger Assy	1
**14	239436	Heat Exchanger Assy	1
***15	264415	Heat Exchanger Assy	1
*16	262685	Capillary Tube Assy. (.049" I.D. x 10 Ft. Lg.)	1
**17	262685	Capillary Tube Assy. (.049" I.D. x 10 Ft. Lg.)	1
***18	264147	Capillary Tube Assy. (.050" I.D. x 12 Ft. Lg.)	1
*19	263737	Orifice	1
**20	239483	Orifice	1
***21	263738	Orifice	1
22	265773-1	Blade - Fan (Aluminum)	1
23	265773-2	Blade - Fan (Galv.)	1
24	263339	Nut - 1/4"-20 (Special)	1
25	265182	Washer - Vibrating	1
26	265326-1	Motor - 115 V. (Incls. items #25 & 28)	1
27	265326-2	Motor - 230 V. (Incls. items #25 & 28)	1
28	265181	Mach. Screw - #8-36 x 3/8" Phil. Rd. Hd. (Special)	3
*29	239480	Bracket - Motor	1
**30	239490	Bracket - Motor	1
***31	239490	Bracket - Motor	1
32	260341	Clamp - Wire	AR
*33	266083	Drain Pan Assy	1
**34	266089-2	Drain Pan Assy	1
***35	266084	Drain Pan Assy	1
*36	266082-3	Drain Pan Heater Assy	1
**37	266082-4	Drain Pan Heater Assy	1
***38	266082-4	Drain Pan Heater Assy	1
39	239097	Latch - Evaporator Housing	2
40	239098	Strike - Latch	2
41	260192-1	Gasket (26-1/2" Lg.)	AR
42	260192-4	Gasket (31-3/4" Lg.)	AR
43	260192-5	Gasket (37-5/16" Lg.)	AR
44	260192-6	Gasket (12-3/4" Lg.)	AR

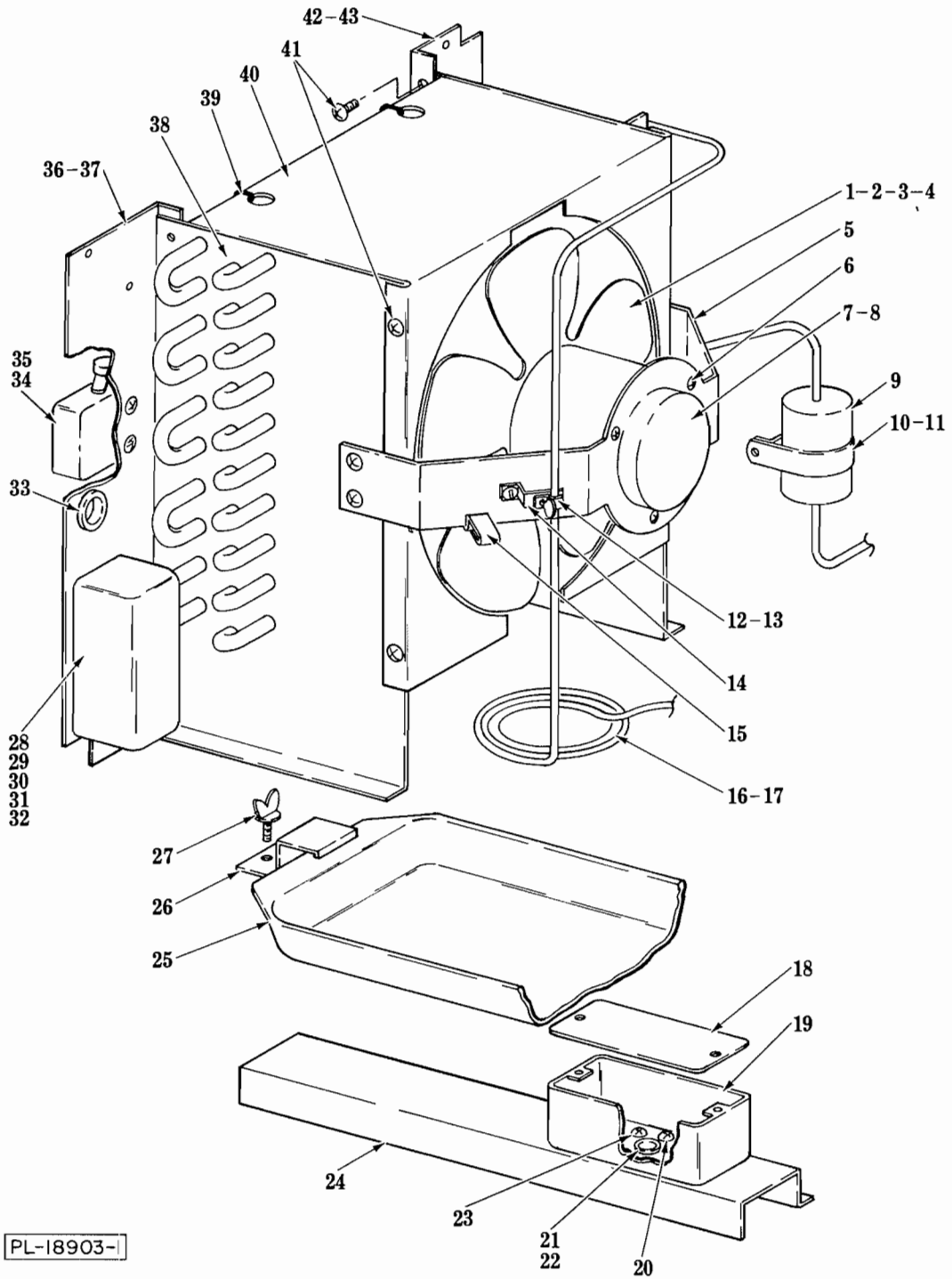
\*HEF1.  
\*\*HEF2.  
\*\*\*HEF3.



EVAPORATORS

**EVAPORATORS**  
**(WITH REMOTE MOUNTED COMPRESSOR)**  
**(MED. TEMP. HER1, HER2 & HER3)**  
**(LOW TEMP. HEFR1, HEFR2 & HEFR3)**

ILLUS. PL-18902-1 NO.	PART NO.	NAME OF PART	AMT.
1	262575	Evaporator (HER1)	1
2	262577	Evaporator (HER2)	1
3	263713	Evaporator (HER 3)	1
4	262576	Evaporator (HEFR1)	1
5	262578	Evaporator (HEFR2)	1
6	263713	Evaporator (HEFR3)	1
7	239079	Heater - Evaporator Defrost (HEFR1)	1
8	239083	Heater - Evaporator Defrost (HEFR2)	1
9	263712	Heater - Evaporator Defrost (HEFR3)	1
10	261475	Clip - Defrost Heater to Evaporator	AR
11	249863-1	Valve - Thermostat Expansion (HER1 & HER2)	1
12	262591	Valve - Thermostat Expansion (HER3, HEFR1, HEFR2 & HEFR3)	1
13	239458	Heat Exchanger (HER1)	1
14	265252	Heat Exchanger (HERF1)	1
15	239459	Heat Exchanger (HER2, HER3, HEFR2 & HEFR3)	1
16	239872	Bracket - Safety Control	1
17	239419	Thermostat - Safety	1
18	261475	Clip - Thermostat Bulb	2
19	263086	Heater - 200 W (Tubular)	1
20	239090	Dish - Evaporation	1
21	70641-16	Thumb Screw	2
22	239460	Clamp - Dish	2
23	263737	Orifice (HER1 & HEFR1)	1
24	239483	Orifice (HER2 & HEFR2)	1
25	263738	Orifice (HER3 & HEFR3)	1
26	265773-1	Blade - Fan (Aluminum)	1
27	265773-2	Blade - Fan (Galv.)	1
28	263339	Nut - 1/4"-20 (Special)	1
29	265182	Washer - Vibrating	1
30	265326-1	Motor - 115 V. (Incls. items #29 & 32)	1
31	265326-2	Motor - 230 V. (Incls. items #29 & 32)	1
32	265181	Mach. Screw - #8-36 x 3/8" Phil. Rd. Hd. (Special)	3
33	239480	Bracket - Motor (HER1 & HEFR1)	1
34	239490	Bracket - Motor (HER2, HER3, HEFR2 & HEFR3)	1
35	260341	Clamp - Wire	AR
36	266083	Drain Pan Assy. (HEFR1)	1
37	266089-2	Drain Pan Assy. (HEFR2)	1
38	266084	Drain Pan Assy. (HEFR3)	1
39	266082-3	Drain Pan Heater Assy. (HEFR1)	1
40	266082-4	Drain Pan Heater Assy. (HEFR2)	1
41	266082-5	Drain Pan Heater Assy. (HEFR3)	1
42	239097	Latch - Evaporator Housing	2
43	239098	Strike - Latch	2
44	260192-1	Gasket (26-1/2" Lg.)	AR
45	260192-4	Gasket (31-3/4" Lg.)	AR
46	260192-5	Gasket (37-5/16" Lg.)	AR
47	260192-6	Gasket (12-3/4" Lg.)	AR



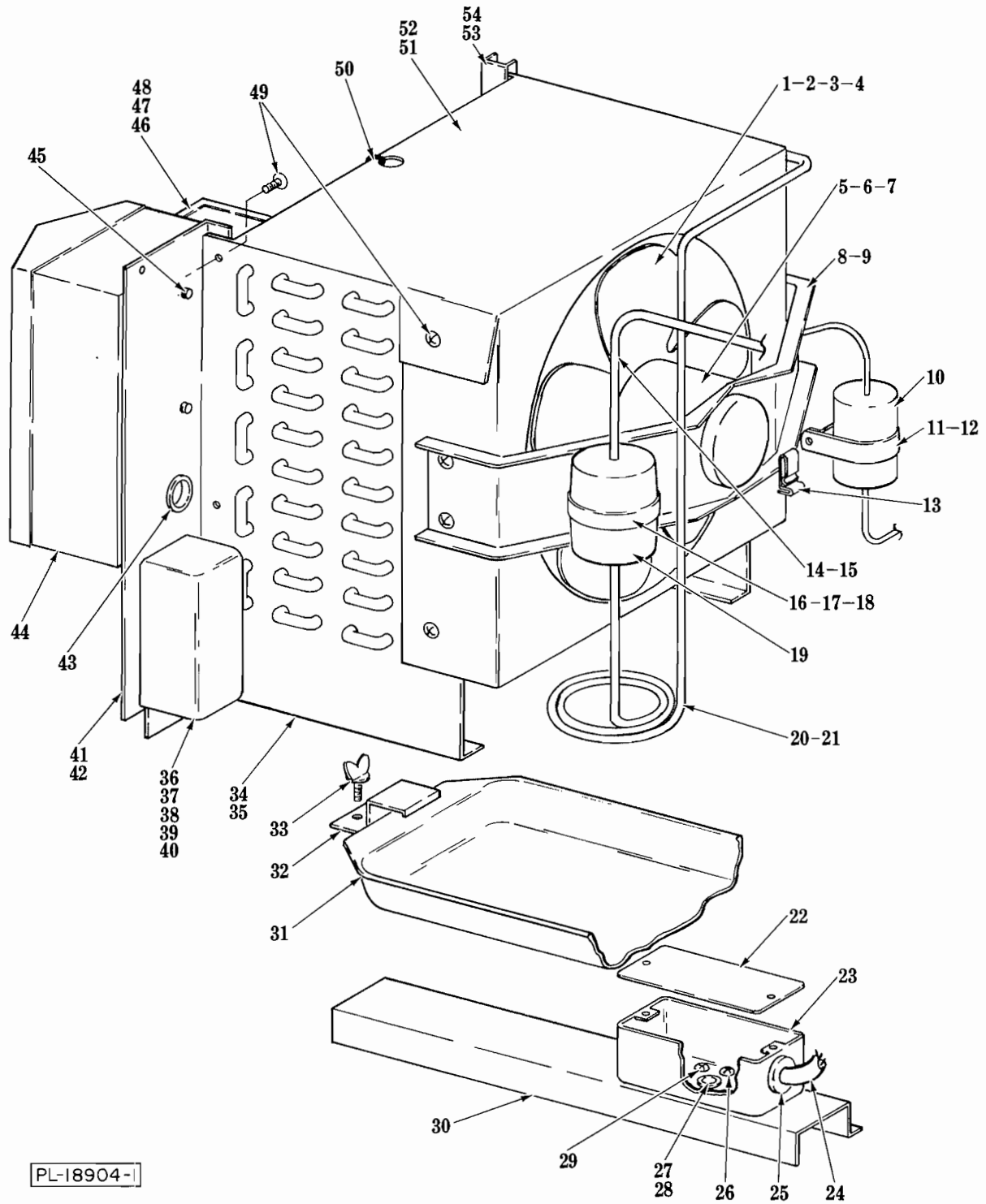
PL-18903-1

CONDENSER

**CONDENSER**  
(HE1 & HE2 — 115 V.)  
HE2 — 230 V.)

ILLUS. PL-18903-1	PART NO.	NAME OF PART	AMT.
1	265773-1	Blade - Fan (Aluminum) . . . . .	1
2	265773-2	Blade - Fan (Galvanized) . . . . .	1
3	263339	Nut - 1/4"-20 Hex (Special) . . . . .	1
4	265182	Washer - Vibrating . . . . .	1
5	239489	Bracket - Fan Motor . . . . .	1
6	265181	Mach. Screw - #8-36 x 3/8" Phil. Rd. Hd. (Special) . . . . .	3
7	265326-1	Motor - 115 V. (Incls. items #4 & 6) . . . . .	1
8	265326-2	Motor - 230 V. (Incls. items #4 & 6) . . . . .	1
9	239084	Drier - C032 . . . . .	1
10	263294	Clamp . . . . .	1
11	263833	Mach. Screw - #10-24 x 3/4" Phil. Hd . . . . .	1
12	263079	Clamp - 5/16" . . . . .	1
13	263864	Thumb Screw - #10-32 x 1/2" . . . . .	1
14	239439	Tubing Bracket Assy . . . . .	1
15	260341	Clamp - Wiring . . . . .	2
*16	239437	Discharge Line . . . . .	1
**17	239451	Discharge Line . . . . .	1
18	FE-4-1	Cover - Conduit Box . . . . .	1
19	FE-3-3	Box - Conduit . . . . .	1
20	263858	Screw - #10-32 x 3/8" (Grounding) . . . . .	1
21	FE-21-24	Bushing - Shorty (115 V.) . . . . .	1
22	FE-16-33	Strainer Relief . . . . .	1
23	SD-8-40	Self-Tapping Screw - #8 x 3/8" Phil. Truss Hd . . . . .	1
24	263506	Cover - Wiring . . . . .	1
25	239090	Dish - Evaporation . . . . .	1
26	239460	Clamp - Dish . . . . .	1
27	70641-15	Thumb Screw . . . . .	1
28	263547	Switch - S.P.S.T. (115 V.) . . . . .	1
29	263548	Switch - D.P.S.T. (230 V.) . . . . .	1
30	FE-3-3	Box - Conduit . . . . .	1
31	FE-16-33	Strain Relief . . . . .	1
32	SC-74-6	Mach. Screw - #6-32 x 3/8" Rd. Hd . . . . .	4
33	FE-21-24	Bushing - Shorty . . . . .	1
34	239087	Control - Temperature . . . . .	1
35	FE-21-20	Bushing - SR-24-1 . . . . .	1
*36	264435	Cover - R.H. Vertical . . . . .	1
**37	263518	Cover - R.H. Vertical . . . . .	1
38	262727	Condenser Assy . . . . .	1
39	263278	Clip - Shroud . . . . .	2
40	239095	Shroud . . . . .	1
41	SC-18-22	Mach. Screw - #10-24 x 1/2" Phil. Truss Hd . . . . .	8
*42	264364	Cover - L.H. Vertical . . . . .	1
**43	264430	Cover - L.H. Vertical . . . . .	1

\*HE1.  
\*\*HE2.



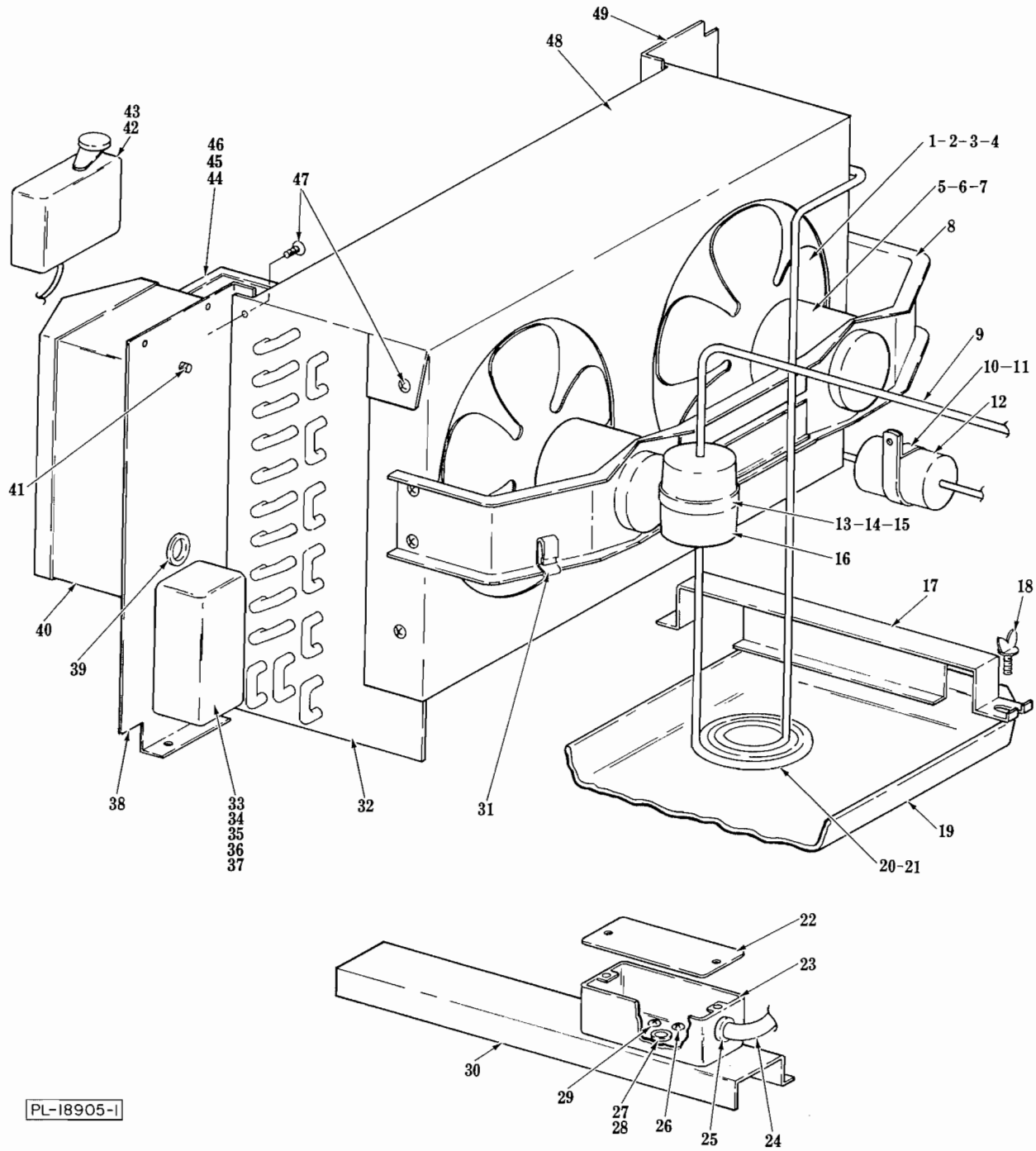
PL-18904-1

CONDENSER

**CONDENSER**  
**(HEF1 - 115 V.)**  
**(HEF2 - 230 V.)**

ILLUS. PL-18904-1	PART NO.	NAME OF PART	AMT.
1	265773-1	Blade - Fan (Aluminum) . . . . .	1
2	265773-2	Blade - Fan (Galvanized) . . . . .	1
3	263339	Nut - 1/4"-20 Hex (Special) . . . . .	1
4	265182	Washer - Vibrating . . . . .	1
5	265326-1	Motor - 115 V. (Incls. items #4 & 7) . . . . .	1
6	265326-2	Motor - 230 V. (Incls. items #4 & 7) . . . . .	1
7	265181	Mach. Screw - #8-36 x 3/8" Phil. Rd. Hd. (Special) . . . . .	3
*8	261939	Bracket - Fan Motor . . . . .	1
**9	239455	Bracket - Fan Motor . . . . .	1
10	239084	Drier - C032 . . . . .	1
11	263294	Clamp . . . . .	1
12	263833	Mach. Screw - #10-24 x 3/4" Phil. Hd . . . . .	1
13	260341	Clamp - Wiring . . . . .	2
*14	265567	Discharge Line (Muffler to Compressor) . . . . .	1
**15	265565	Discharge Line (Muffler to Compressor) . . . . .	1
16	265550	Bracket - Muffler . . . . .	1
17	SA-21-9	Screw & Lock Washer Assy. #10-32 x 1/2" . . . . .	1
18	263841	Mach. Nut - #10-32 Hex . . . . .	1
19	265513	Muffler - Discharge Line . . . . .	1
*20	265566	Discharge Line (Muffler to Condenser) . . . . .	1
**21	265564	Discharge Line (Muffler to Condenser) . . . . .	1
22	FE-4-1	Cover - Conduit Box . . . . .	1
23	FE-3-3	Box - Conduit . . . . .	1
24	239000	Cord (115 V.; 15 A.) . . . . .	1
25	FE-21-18	Bushing - 7/8" (SP-7K-2) (115 V.) . . . . .	1
26	263858	Screw - #10-32 x 3/8" (Grounding) . . . . .	1
27	FE-21-24	Bushing - Shorty (115 V.) . . . . .	1
28	FE-16-33	Strain Relief (230 V.) . . . . .	1
29	SD-8-40	Self-Tapping Screw - #8 x 3/8" Phil. Truss Hd . . . . .	1
30	263506	Cover - Wiring . . . . .	1
*31	239090	Dish - Evaporation . . . . .	1
*32	239460	Clamp - Dish . . . . .	2
*33	70641-15	Thumb Screw . . . . .	2
*34	262718	Condenser . . . . .	1
**35	262729	Condenser . . . . .	1
36	263547	Switch - S.P.S.T. (115 V.) . . . . .	1
37	263548	Switch - D.P.S.T. (230 V.) . . . . .	1
38	FE-3-3	Box - Conduit . . . . .	1
39	FE-16-33	Strain Relief . . . . .	1
40	SC-74-6	Mach. Screw - #6-32 x 3/8" Rd. Hd . . . . .	4
*41	264435	Cover - R.H. Vertical . . . . .	1
**42	263518	Cover - R.H. Vertical . . . . .	1
43	FE-21-24	Bushing - Shorty . . . . .	1
44	266721-1	Timer - Defrost . . . . .	1
45	SC-18-22	Mach. Screw - #10-24 x 1/2" Phil. Truss Hd . . . . .	2
46	239089	Control - Temperature . . . . .	1
47	FE-21-24	Bushing - Shorty . . . . .	1
48	SD-8-40	Self-Tapping Screw - #8-32 x 3/8" Phil. Truss Hd . . . . .	2
49	SC-18-22	Mach. Screw - #10-24 x 1/2" Phil. Truss Hd . . . . .	10
50	263278	Clip - Shroud . . . . .	AR
*51	237933	Shroud . . . . .	1
**52	239096	Shroud . . . . .	1
*53	264365	Cover - L.H. Vertical . . . . .	1
**54	264430	Cover - L.H. Vertical . . . . .	1

\*HEF1.  
\*\*HEF2.



PL-18905-1

CONDENSER

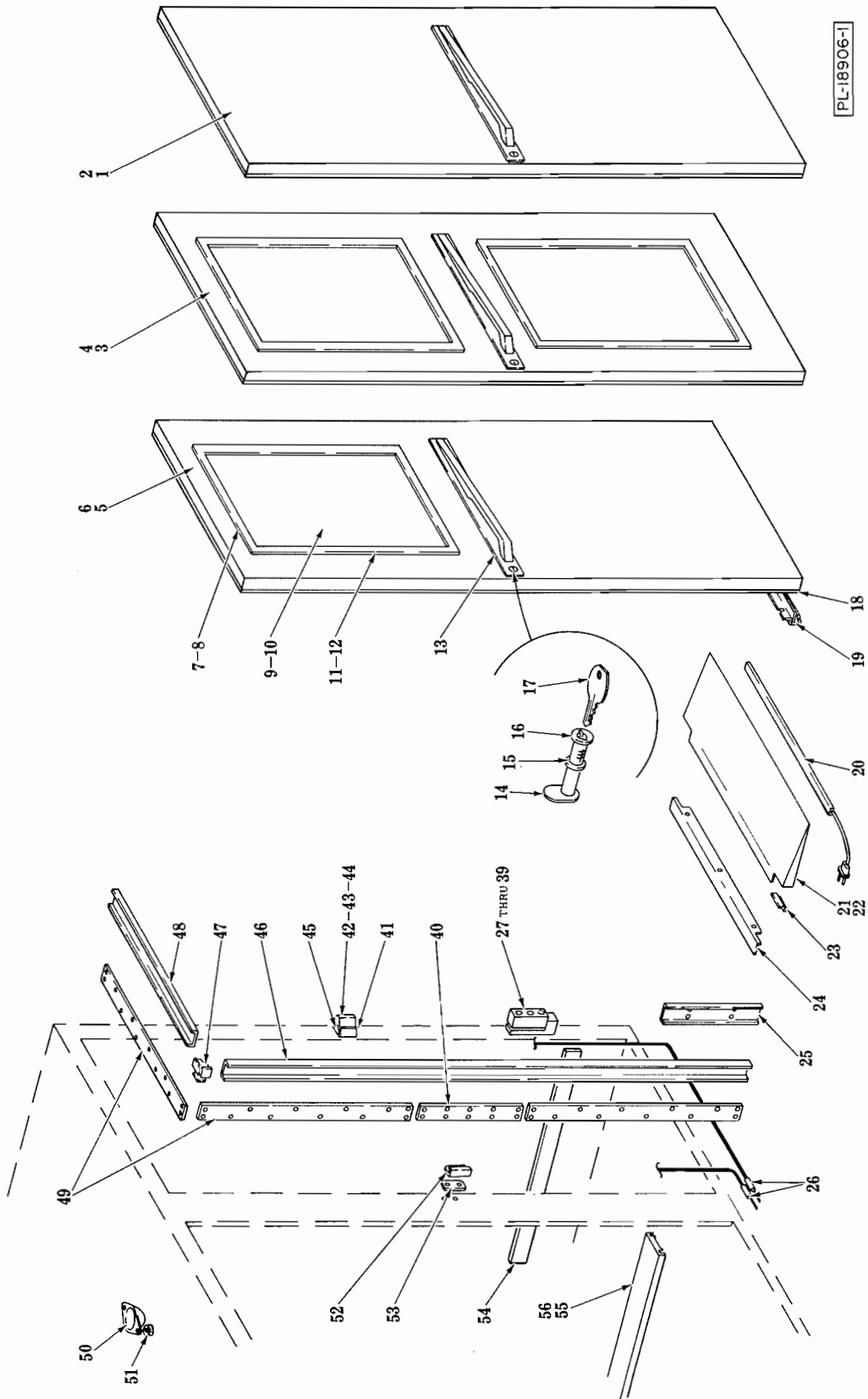
**CONDENSER**  
**(HE3 - 115 V.)**  
**(HEF3 - 230 V.)**

ILLUS. PL-18905-1	PART NO.	NAME OF PART	AMT.
1	265773-1	Blade - Fan (Aluminum) . . . . .	2
2	265773-2	Blade - Fan (Galvanized) . . . . .	2
3	263339	Nut - 1/4"-20 (Special) . . . . .	2
4	265182	Washer - Vibrating . . . . .	2
5	265326-1	Motor - 115 V. (Incls. items #4 & 7) . . . . .	2
6	265326-2	Motor - 230 V. (Incls. items #4 & 7) . . . . .	2
7	265181	Mach. Screw - #8-36 x 3/8" Phil. Rd. Hd. (Special) . . . . .	6
8	260064	Fan Motor Bracket Assy . . . . .	1
**9	265565	Discharge Line Assy. (Muffler to Compressor) . . . . .	1
10	263294	Clamp . . . . .	1
11	263833	Mach. Screw - #10-24 x 3/4" Phil. Hd . . . . .	1
12	239084	Drier - C032 . . . . .	1
**13	265550	Bracket - Muffler . . . . .	1
**14	SA-21-9	Screw & Lock Washer Assy. #10-32 x 1/2" . . . . .	1
**15	263841	Mach. Nut - #10-32 Hex . . . . .	1
**16	265513	Muffler . . . . .	1
17	263412	Heater Retainer Assy . . . . .	1
18	70641-15	Thumb Screw . . . . .	2
19	262418	Dish - 8-3/4" x 13" . . . . .	1
*20	264953	Discharge Line Assy . . . . .	1
**21	265564	Discharge Line Assy. (Muffler to Condenser) . . . . .	1
22	FE-4-1	Cover - Conduit Box . . . . .	1
23	FE-3-3	Box - Conduit . . . . .	1
24	264517	Cord (115 V., 20 A.) . . . . .	1
25	FE-21-18	Bushing - 7/8" (SP-7K-2) (115 V.) . . . . .	1
26	263858	Screw - #10-32 x 3/8" (Grounding) . . . . .	1
27	FE-21-24	Bushing - Shorty (115 V.) . . . . .	1
28	FE-16-33	Strain Relief (230 V.) . . . . .	1
29	SD-8-40	Self-Tapping Screw - #8-32 x 3/8" Phil. Truss Hd . . . . .	2
30	263506	Cover - Wiring . . . . .	1
31	260341	Clamp - Wire . . . . .	2
32	262719	Condenser . . . . .	1
33	263547	Switch - S.P.S.T. (115 V.) . . . . .	1
34	263548	Switch - D.P.S.T. (230 V.) . . . . .	1
35	FE-3-3	Box - Conduit . . . . .	1
36	FE-21-24	Bushing - Shorty (230 V.) . . . . .	1
37	SC-27-20	Mach. Screw - #6-32 x 3/8" Rd. Hd . . . . .	4
38	263518	Cover - R.H. Vertical . . . . .	1
39	FE-21-24	Bushing - Shorty (115 V.) . . . . .	1
40	266721-1	Timer - Defrost . . . . .	1
41	SC-18-22	Mach. Screw - #10-24 x 1/2" Phil. Truss Hd . . . . .	2
*42	239087	Control - Temperature . . . . .	1
*43	FE-21-20	Bushing (SR-24-1) . . . . .	1
**44	239089	Control - Temperature . . . . .	1
**45	FE-21-24	Bushing - Shorty . . . . .	1
**46	SD-8-40	Self-Tapping Screw - #8-32 Phil. Truss Hd., Type B . . . . .	2
47	SC-18-22	Mach. Screw - #10-24 x 1/2" Phil. Truss Hd . . . . .	12
48	262787	Shroud . . . . .	1
49	264431	Cover - L.H. Vertical . . . . .	1

\*HE3.  
\*\*HEF3.

HE SERIES REPLACEMENT PARTS

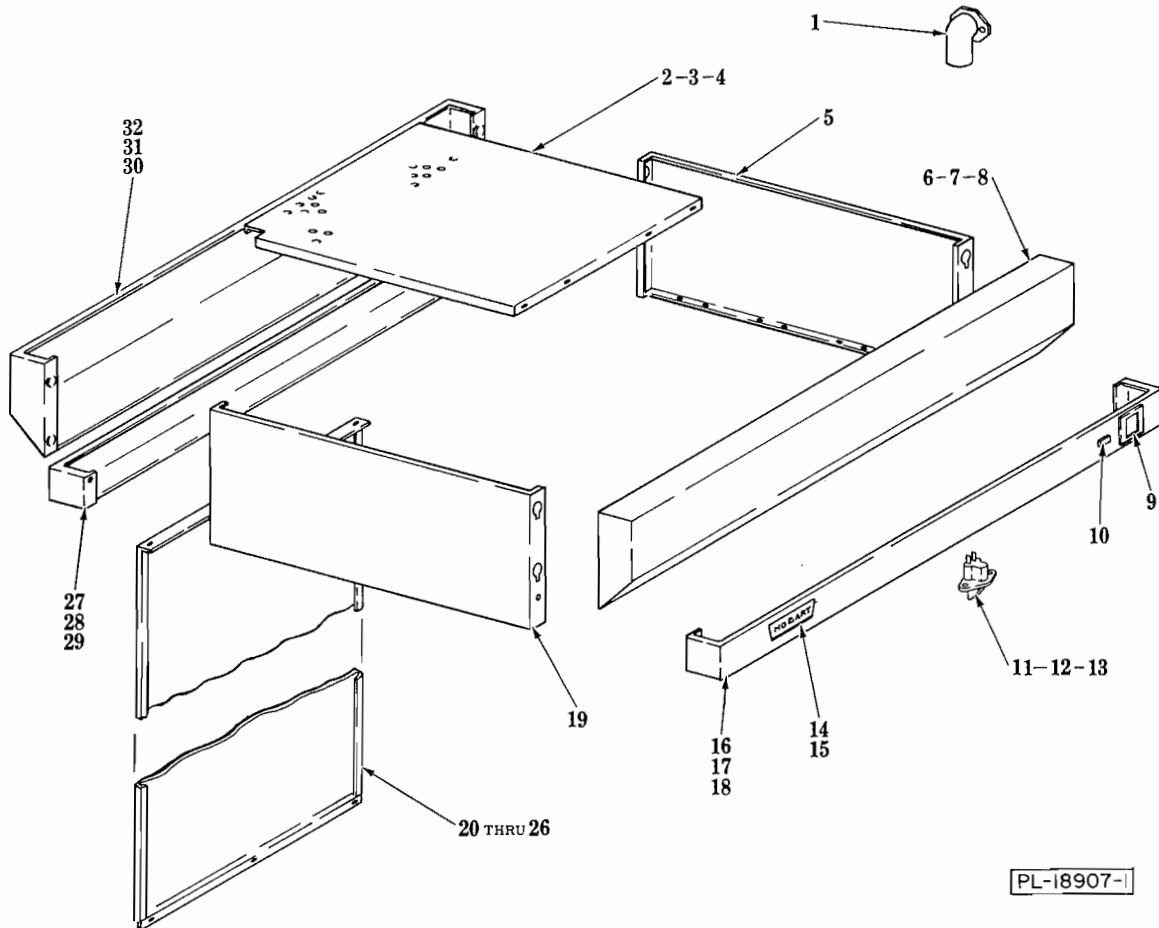
PL-18906-1



DOOR UNITS

## DOOR UNITS

ILLUS. PL-18906-1	PART NO.	NAME OF PART	AMT.
1	264465	Solid Door Assy. (Hinged Right) (Specify Color) (Incls. items #13 thru 18)	1
2	264466	Solid Door Assy. (Hinged Left) (Specify Color) (Incls. item #13 thru 18)	1
3	264652	Double Glass Door Assy. (Hinged Right) (Specify Color) (Incls. items #7 thru 18)	1
4	264653	Double Glass Door Assy. (Hinged Left) (Specify Color) (Incls. items #7 thru 18)	1
5	264650	Single Glass Door Assy. (Hinged Right) (Specify Color) (Incls. items #7 thru 18)	1
6	264651	Single Glass Door Assy. (Hinged Left) (Specify Color) (Incls. items #7 thru 18)	1
7	264335	Frame - Horizontal	2
8	239348	Spacer - Horizontal	2
9	239099	Glass	1
10	264663	Gasket - Glass	2
11	264336	Frame - Vertical	2
12	239349	Spacer - Horizontal	2
13	239039	Door Handle Assy. (Incls. items #15 & 16)	1
14	261688	Bolt - Handle	1
15	261692	"O" Ring	1
16	261691	Lock Plug Assy. (Incls. item #17)	1
17	206068	Key (XC-3)	1
18	265578-1	Gasket - Door	1
19	264464	Wiper Assy	1
20	263170	Heater - Ramp (25 W./115 V.)	1
21	262421	Ramp Assy. (Angle)	1
22	262419	Ramp Assy. (Flat)	1
23	262424	Retainer - Ramp	1
24	261280	Cover - Sill	1
25	261278	Guard - Scuff	2
26	263139	Door Heater Assy. (165" Lg.) (40 W./115 V.)	1
27	263708	Hinge Assy. (Incls. items #28 thru 33) (Amt. per Door)	2
28	263701	Cover - Hinge	1
29	263702	Wing - Hinge	1
30	263703	Base - Hinge	1
31	263700	Shim - Hinge Base	1
32	264995	Cam - Hinge	1
33	263704	Hinge Accessory Pack (Incls. items #34 thru 39)	1
34	263705	Bolt	1
35	263706	Spring	1
36	263707	Nut	1
37	265696	Washer	1
38	265697	Bushing	1
39	SC-47-84	Set Screw - #6-32 x 1/8"	1
40	261263	Breaker (12-15/16" Lg.)	2
41	261388	Cap - Lower Door Stop	1
42	263201	Door Stop - Rubber	1
43	261387	Retainer - Door Stop	1
44	261702	Spacer - Door Stop	1
45	261389	Cap - Upper Door Stop	1
46	262980	Cover - Vertical Breaker	2
47	262976	Clip - Corner	2
48	262978	Cover - Upper Breaker	1
49	263979	Breaker (26-7/8" Lg.)	5
50	239059	Shield - Light	1
51	260420	Nut - #10-32 Knurled	2
52	239027	Strike - Door Latch	1
53	239029	Shim - Strike	1
54	264546	Rail - Bumper (Vinyl Cabinet Only)	AR
55	260939	Partition (2 & 3 Cabinet Only)	AR
56	260420	Nut - #10-32 Knurled	AR
	265843-5	1-1/2 oz. Silver Tone Touch-Up Paint	1
	265843-6	1-1/2 oz. Spring Green Touch-Up Paint	1
	265843-7	1-1/2 oz. Gun Metal Blue Touch-Up Paint	1
	265843-8	1-1/2 oz. Harvest Yellow Touch-Up Paint	1
	265843-9	1-1/2 oz. Bright White Touch-Up Paint	1
	265843-10	1-1/2 oz. Copper Brown Touch-Up Paint	1
	265843-11	1-1/2 oz. Antique Gold Touch-Up Paint	1



TOP TRIM & BACK PANELS

TOP TRIM & BACK PANELS

ILLUS. PL-18907-1 NO.	PART NO.	NAME OF PART	AMT.
1	265620	Vent Assy. (Pressure Relief)	1
*2	264366	Cover - Top	1
**3	264367	Cover - Top	1
***4	264368	Cover - Top	1
5	265227	Trim - End (Specify Color)	1
*6	263765	Trim - Front (Specify Color)	1
**7	263766	Trim - Front (Specify Color)	1
***8	263767	Trim - Front (Specify Color)	1
9	239054	Thermometer	1
10	239056	Light - Pilot	1
11	206123	Switch - Door	AR
12	264181	Shim - Switch	AR
13	SD-8-40	Self-Tapping Screw - #8 x 3/8" Phil. Truss Hd., Type B	AR
14	209001	Nameplate - Hobart	1
15	206177	Clip (Nameplate Retainer)	2
*16	263728	Rail - Trim (Front)	1
**17	263729	Rail - Trim (Front)	1
***18	263730	Rail - Trim (Front)	1
19	265227	Trim - End (Specify Color)	1
*20	266595-1	SST Back Panel Kit	1
**21	266595-2	SST Back Panel Kit	1
***22	266595-3	SST Back Panel Kit	1
*23	266596-1	Vinyl Back Panel Kit (Specify Color)	1
**24	266596-2	Vinyl Back Panel Kit (Specify Color)	1
***25	266596-3	Vinyl Back Panel Kit (Specify Color)	1
26	239210	Clip - Back Panel	AR
*27	264389	Rail - Trim (Rear)	1
**28	264390	Rail - Trim (Rear)	1
***29	264391	Rail - Trim (Rear)	1
*30	263765	Trim - Front (Specify Color)	1
**31	263766	Trim - Front (Specify Color)	1
***32	263767	Trim - Front (Specify Color)	1

\*Single Section Cabinets.  
 \*\*Double Section Cabinets.  
 \*\*\*Triple Section Cabinets.

COMPRESSORS

ITEM PL-18908	MODEL		COMPRESSOR		START CAPACITOR	START RATING	RUN CAPACITOR	RELAY	OVERLOAD
	DESIG- NATION	ELEC. SPEC.	HOBART	COPELAND					
1	HE1	115/60/1	260010	JRE1-0033-IAA	262913	233-280 @ 110 V.	-	262911	262912
2	HEF1	115/60/1	260017	KAM2-0075-IAA	262732	540-648 @ 110 V.	-	262737	262734
3	HEF1	200, 230/60/1	260016	KAM2-0075-IAB	262742	145-175 @ 220 V.	-	262738	262735
4	HEF1	200-230/60/3	260015	KAM1-0075-TAC	-	-	-	-	-
5	CHEF1	115/60/1	260038	RSL2-0075-IAA	262895	282-340 @ 110 V.	-	262893	262894
6	HE2	115/60/1	260021	RSN2-0050-IAA	262889	243-292 @ 160 V.	-	262887	262888
7	HE2	208-230/60/1	260020	RSN2-0050-IAV	262892	41-53 @ 220 V.	-	262890	262891
8	THE2	115/60/1	260021	RSN2-0050-IAA	262889	243-292 @ 160 V.	-	262887	262888
9	THE2	208-230/60/1	260020	RSN2-0050-IAV	262892	41-53 @ 220 V.	-	262890	262891
10	HEF2	200, 230/60/1	260014	KAJ3-0100-CAB	262742	145-175 @ 220 V.	262743	262739	262840
11	HEF2	200-230/60/3	260015	KAM1-0075-TAC	-	-	-	-	-
12	CHEF2	230/60/1	260039	KAKZ-0100-CAB	262742	145-175 @ 220 V.	262743	262739	262840
13	HE3	115/60/1	260038	RSL2-0075-IAA	262895	282-340 @ 110 V.	-	262893	262894
14	HE3	208-230/60/1	262872	RSL2-0075-IAV	262898	61-72 @ 320 V.	-	262896	262897
15	HE3	200-230/60/3	262865	KAK1-0100-IAC	-	-	-	-	-
16	THE3	208-230/60/1	262872	RSL2-0075-IAV	262898	61-72 @ 320 V.	-	262896	262897
17	HEF3	200, 230/60/1	262880	KAL3-0150-CAB	262902	108-120 @ 320 V.	262903	262900	262901
18	HEF3	200-230/60/3	262850	KAL3-0150-TAC	-	-	-	-	-