



CATALOG OF REPLACEMENT PARTS

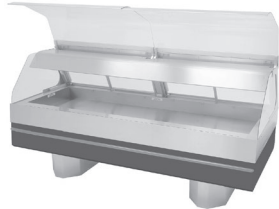


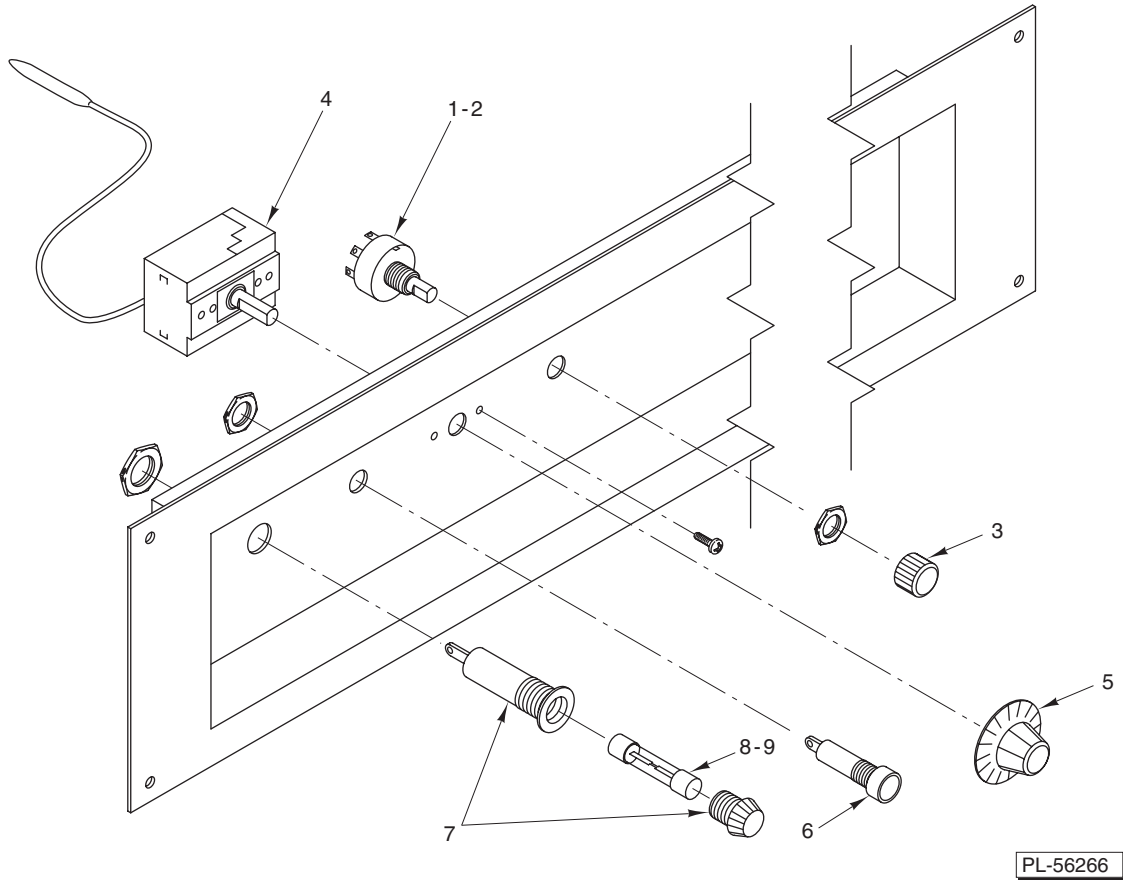
HHFC DELI DISPLAY CASES



HHFC6	ML-114912	High Profile
	ML-114918	Low Profile
	ML-126811	Two Tier
	ML-126812	Pedestal
	ML-126822	Designer

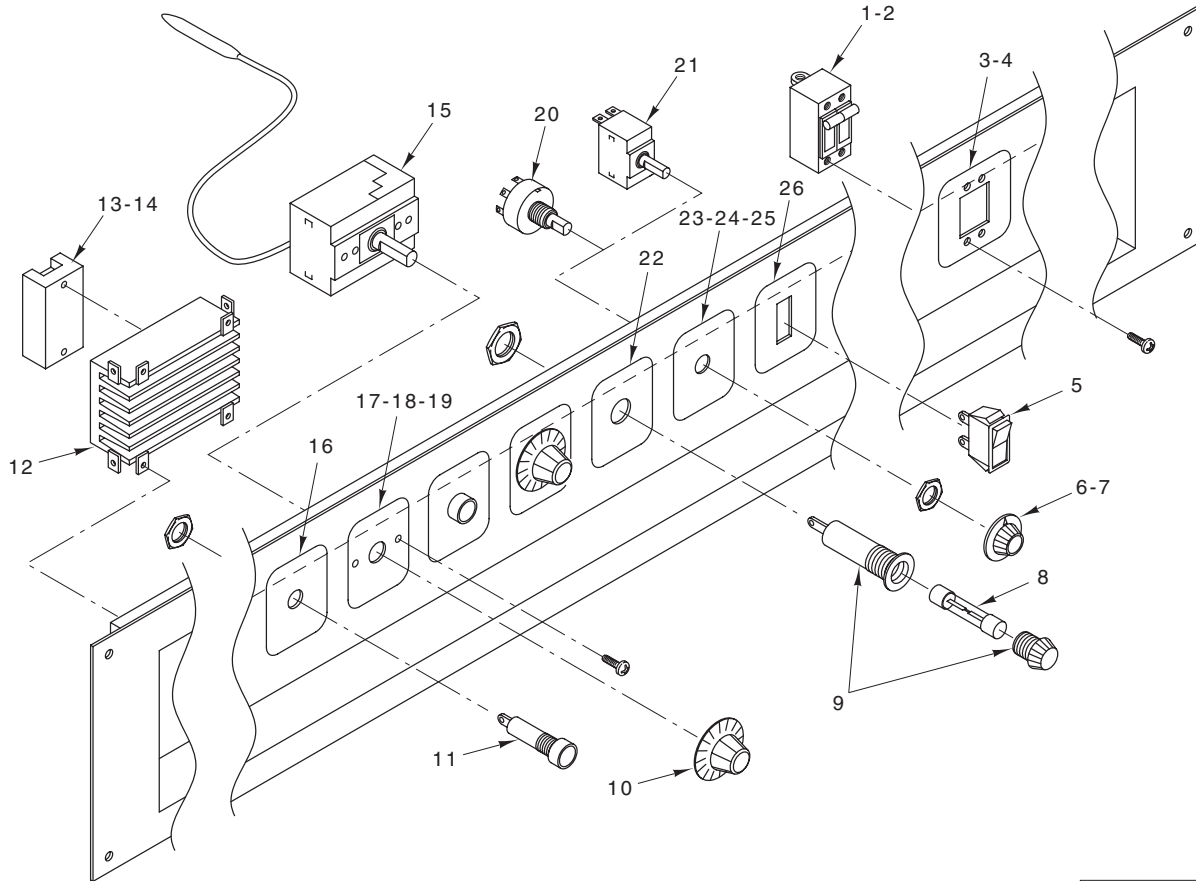
HHFC6C	ML-114915	Counter
--------	-----------	---------





CONTROL PANEL WITH OVERHEAD HEAT LAMPS

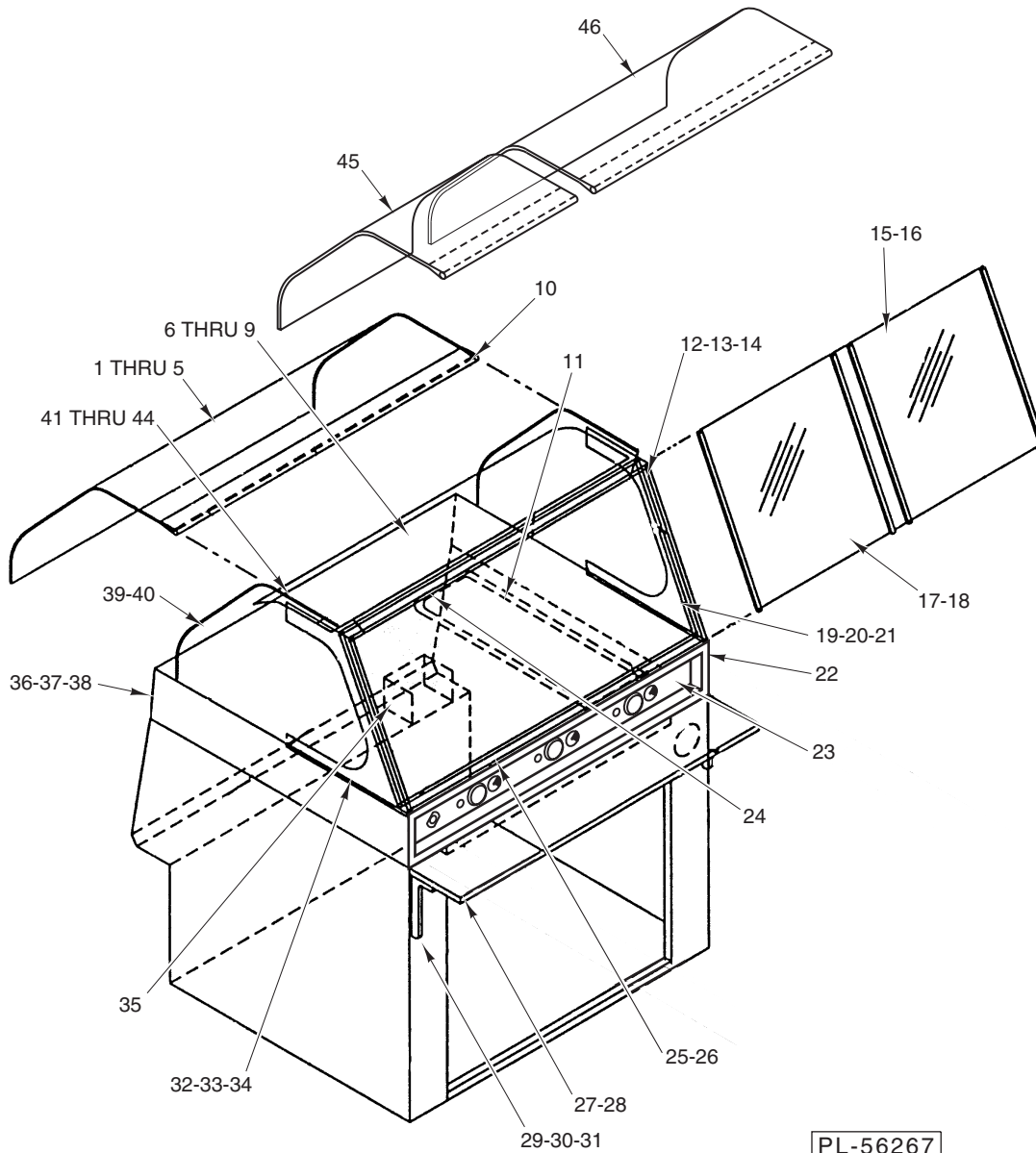
ILLUS.	PART NO.	NAME OF PART	AMT.
PL-56266			
1	00-424085-00001	Switch – Dimmer	AR
2	00-425440-00002	Switch – Dimmer (ML-126811)	AR
3	00-424085-00002	Knob – Dimmer Switch	AR
4	00-425440-00001	Thermostat – Well (375 Deg.)	AR
5	00-424085-00059	Knob – Well Thermostat	AR
6	00-424085-00043	Light – Indicator	AR
7	00-851800-00061	Fuse Holder	AR
8	00-851800-00422	Fuse (15 Amp.) (ML-126811 & ML-126822)	AR
9	00-424085-00028	Fuse (30 Amp.) (ML-114912, ML-114915, ML-114918, & ML-126812)	AR



PL-56263

CONTROL PANEL WITH OVERHEAD CAL ROD HEATERS

ILLUS.	PART NO.	NAME OF PART	AMT.
PL-56263			
1	00-877687-00003	Breaker – 2 Pole (1 Ph.)	AR
2	00-877687-00005	Breaker – 3 Pole (3 Ph.)	AR
3	00-877687-00019	Label – 2 Pole Breaker	AR
4	00-877687-00020	Label – 3 Pole Breaker	AR
5	00-851800-00272	Switch – Light	AR
6	00-851800-00031	Knob – Overhead Heater (Black) (Units Built Before 2/02)	AR
7	00-851800-00144	Knob – Infinite Switch (Units Built After 2/02)	AR
8	00-851800-00422	Fuse (15 Amp.)	AR
9	00-851800-00061	Fuse Holder	AR
10	00-424085-00059	Knob – Well Thermostat	AR
11	00-424085-00043	Light – Indicator	AR
12	00-877687-00002	Heat Sink	AR
13	00-851800-00515	Controller – Proportional (Units Built Before 2/02)	AR
14	00-851800-00601	Relay (Units Built After 2/02)	AR
15	00-425440-00001	Thermostat – Well (375 Deg.)	AR
16	00-877687-00024	Label – Well Indicator Lights	AR
17	00-877687-00028	Label – Well Thermostat (ML-114912, ML-114915, ML-114918, & ML-126812)	AR
18	00-877687-00021	Label – Center Well Thermostat (ML-126811 & ML-126822)	AR
19	00-877687-00022	Label – End Well Thermostat (ML-126811 & ML-126822)	AR
20	00-877687-00030	Potentiometer (Units Built Before 2/02)	AR
21	00-411503-00001	Infinite Switch (Units Built After 2/02)	AR
22	00-877687-00023	Label – Fuse Holder	AR
23	00-877687-00018	Label – Overhead Heater (Self Service) (Units Built Before 2/02)	AR
24	00-877687-00026	Label – Overhead Heater (Full Service) (Units Built Before 2/02)	AR
25	00-851800-00600	Label – Overhead Heater (Units Built After 2/02)	AR
26	00-877687-00027	Label – Overhead Light	AR
	00-519504	Grease – Heat Sink	AR

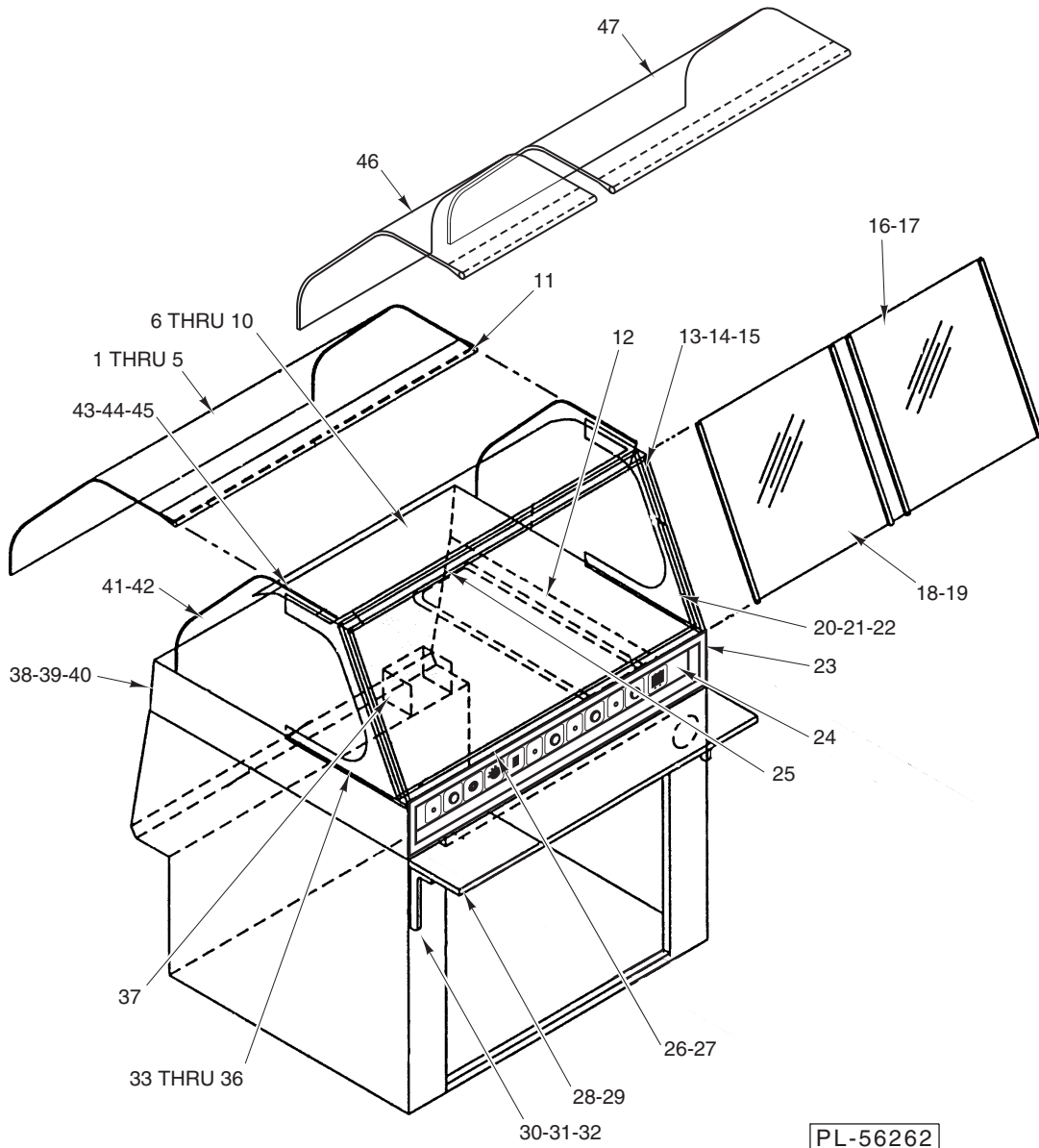


DELI CASE WITH OVERHEAD HEAT LAMPS

ILLUS.	PART NO.	NAME OF PART	AMT.
PL-56267			
1	00-424085-00037	Glass Front Panel (Full Service)	AR
2	00-851800-00543	Handle – Extrusion (Full Service)	1
3	00-851800-00550	Glass Front Panel (Self Service) (ML-114912, ML-114915, ML-114918, & ML-126812)	1
4	00-851800-00323	Glass Front Panel (Self Service) (ML-126811)	1
5	00-851800-00546	Trim – Glass (Self Service)	1
6	00-424085-00041	Bulb – Heat Lamp (120 W., 130 V.) (Full Service)	AR
7	00-851800-00287	Bulb – Heat Lamp (250 W., 120 V.) (Self Service) (Standard) (Non-Coated)	AR
8	00-851800-00306	Bulb – Heat Lamp (250 W., 120 V.) (Self Service) (Alternate) (Coated)	AR

DELI CASE WITH OVERHEAD HEAT LAMPS (Cont.)

ILLUS.	PART NO.	NAME OF PART	AMT.
PL-56267			
9	00-424085-00045	Socket Assy. – Heat Lamp	AR
10	00-424085-00034	Clamp – Glass Upper	2
11	00-424085-00023	Element – Well (750 W., 120 V.)	AR
12	00-424085-00004	Jamb – Door Side	2
13	00-851800-00528	Gasket – Door Seal (ML-114912, ML-114915, ML-114918, & ML-126812)	AR
14	00-851800-00565	Gasket – Door Seal (ML-126811 & ML-126822)	AR
15	00-424085-00013	Glass – Door (RH)	1
16	00-424085-00020	Glass – Door (RH) (Mirrored)	1
17	00-424085-00014	Glass – Door (LH)	1
18	00-424085-00019	Glass – Door (LH) (Mirrored)	1
19	00-424085-00052	Strut (RH)	1
20	00-851800-00507	Cover – Strut (RH)	AR
21	00-851800-00525	Wire Cover Weldment (RH)	AR
22	00-851800-00523	Panel – Well Trim (RH) (SST) (ML-114912, ML-114915, ML-114918, & ML-126812)	1
23	00-424085-00057	Block – Terminal Top	AR
24	00-424085-00009	Track – Door Upper	1
25	00-424085-00003	Glide – Door (White Nylon)	AR
26	00-424085-00006	Track – Door Lower	1
27	00-424085-00047	Board – Sandwich (W/O Hinges)	1
28	00-851800-00544	Cutting Board Backer	AR
29	00-424085-00042	Hinge – Sandwich Board (All Except ML-114915)	AR
30	00-851800-00540	Cutting Board – Stationary Assy. (LH) (ML-114915)	AR
31	00-851800-00541	Cutting Board – Stationary Assy. (RH) (ML-114915)	AR
32	00-424085-00051	Strut (LH)	1
33	00-851800-00506	Cover – Strut (LH)	AR
34	00-851800-00524	Wire Cover Weldment (LH)	AR
35	00-424085-00056	Block – Terminal Bottom	AR
36	00-424085-00025	Panel – Well Front (All Except ML-126811)	1
37	00-425440-00009	Glass – Well Front (ML-126811)	1
38	00-851800-00522	Panel – Well Trim (LH) (SST) (ML-114912, ML-114915, ML-114918, & ML-126812)	1
39	00-424085-00039	Panel – Side Glass (Clear)	2
40	00-424085-00040	Panel – Side Glass (Mirrored)	AR
41	00-424085-00061	Canopy – Top (SST)	1
42	00-851800-00585	Canopy – Top Rear (Light Shade) (SST) (ML-126811)	AR
43	00-851800-00568	Cover – Hinge	AR
44	00-851800-00564	Cylinder – Lift	AR
45	00-851800-00548	Glass Front Panel (2 Ft.) (Self Service)	1
46	00-424085-00036	Glass Front Panel (4 Ft.) (Full Service With 2 Ft. Self Service)	1
	00-851800-00516	Glass – Divider (2 Ft. Self Service)	AR
	00-851800-00582	Bracket – Divider Bottom (2 Ft. Self Service)	AR
	00-851800-00562	Bracket – Divider Top (2 Ft. Self Service)	AR
	00-851800-00542	Insert – Mini Well (2 Ft. Self Service W/O Tray Grid and Divider Glass)	AR
	00-851800-00571	Insert – Sheet Tray (18 x 26) (2 Ft. Self Service)	AR
	00-425440-00018	Breaker Base – Master On/Off (ML-126811)	AR
	00-424085-00067	Bar – Divider (Long) (All Except ML-126811)	AR
	00-424085-00068	Bar – Divider (Short) (All Except ML-126811)	AR
	00-425440-00005	Extrusion – Rack Glide (Upper) (ML-126811)	AR
	00-425440-00004	Slide – Rack Glide (Nylon) (ML-126811)	AR
	00-425440-00012	Rack (Upper) (ML-126811)	AR
	00-425440-00015	Rack (Lower) (ML-126811)	AR
	00-851800-00453	Leg (ML-114915)	AR
	00-853557	Temperature Probe – Laser	AR
	00-424087-00001	Caster – Swivel (5 In.) (All Except ML-114915)	AR
	00-851800-00572	Midshelf (ML-114912 & ML-114918)	AR



DELI CASE WITH OVERHEAD CAL ROD HEATERS

ILLUS.	PART NO.	NAME OF PART	AMT.
PL-56262			
1	00-424085-00037	Glass Front Panel (Full Service)	AR
2	00-851800-00543	Handle – Extrusion (Full Service)	1
3	00-851800-00550	Glass Front Panel (Self Service) (ML-114912, ML-114915, ML-114918, & ML-126812)	1
4	00-851800-00323	Glass Front Panel (Self Service) (ML-126811)	1
5	00-851800-00546	Trim – Glass (Self Service)	1
6	00-877682	Bulb – Halogen (75 W.)	AR

DELI CASE WITH OVERHEAD CAL ROD HEATERS (Cont.)

ILLUS. PL-56262	PART NO.	NAME OF PART	AMT.
7	00-877687-00029	Light Socket Assy.	AR
8	00-877687-00007	Element – Overhead Heater (1610 W.)	AR
9	00-877687-00009	Bushing Wireways	AR
10	00-877687-00013	Element Guard – Cal Rod	AR
11	00-424085-00034	Clamp – Glass Upper	2
12	00-424085-00023	Element – Well (750 W., 120 V.)	AR
13	00-424085-00004	Jamb – Door Side	2
14	00-851800-00528	Gasket – Door Seal (ML-114912, ML-114915, ML-114918, & ML-126812)	AR
15	00-851800-00565	Gasket – Door Seal (ML-126811 & ML-126822)	AR
16	00-424085-00013	Glass – Door (RH)	1
17	00-424085-00020	Glass – Door (RH) (Mirrored)	1
18	00-424085-00014	Glass – Door (LH)	1
19	00-424085-00019	Glass – Door (LH) (Mirrored)	1
20	00-424085-00052	Strut (RH)	1
21	00-877687-00036	Cover – Strut (RH)	AR
22	00-877687-00042	Wire Cover Weldment (RH)	AR
23	00-851800-00523	Panel – Well Trim (RH) (SST) (ML-114912, ML-114915, ML-114918, & ML-126812)	1
24	00-424085-00057	Block – Terminal Top	AR
25	00-424085-00009	Track – Door Upper	1
26	00-424085-00003	Glide – Door (White Nylon)	AR
27	00-424085-00006	Track – Door Lower	1
28	00-424085-00047	Board – Sandwich (W/O Hinges)	1
29	00-851800-00544	Cutting Board Backer	AR
30	00-424085-00042	Hinge – Sandwich Board (All Except ML-114915)	AR
31	00-851800-00540	Cutting Board – Stationary Assy. (LH) (ML-114915)	AR
32	00-851800-00541	Cutting Board – Stationary Assy. (RH) (ML-114915)	AR
33	00-424085-00051	Strut (LH)	1
34	00-877687-00031	Plug – Steel Dome ¾ ID	AR
35	00-877687-00034	Cover – Strut (LH)	AR
36	00-877687-00041	Wire Cover Weldment (LH)	AR
37	00-424085-00056	Block – Terminal Bottom	AR
38	00-424085-00025	Panel – Well Front (All Except ML-126811)	1
39	00-425440-00009	Glass – Well Front (ML-126811)	1
40	00-851800-00522	Panel – Well Trim (LH) (SST) (ML-114912, ML-114915, ML-114918, & ML-126812)	1
41	00-424085-00039	Panel – Side Glass (Clear)	2
42	00-424085-00040	Panel – Side Glass (Mirrored)	AR
43	00-877687-00039	Canopy – Top (SST)	1
44	00-851800-00568	Cover – Hinge	AR
45	00-851800-00564	Cylinder – Lift	AR
46	00-851800-00548	Glass Front Panel (2 Ft.) (Self Service)	1
47	00-424085-00036	Glass Front Panel (4 Ft.) (Full Service with 2 Ft. Self Service)	1
	00-877687-00012	Glass – Divider (2 Ft. Self Service)	AR
	00-851800-00562	Bracket – Divider Bottom (2 Ft. Self Service)	AR
	00-877687-00008	Bracket – Divider Top (2 Ft. Self Service)	AR
	00-851800-00542	Insert – Mini Well (2 Ft. Self Service W/O Tray Grid and Divider Glass)	AR
	00-851800-00571	Insert – Sheet Tray (18 x 26) (2 Ft. Self Service)	AR
	00-424085-00067	Bar – Divider (Long) (All Except ML-126811)	AR
	00-424085-00068	Bar – Divider (Short) (All Except ML-126811)	AR
	00-425440-00005	Extrusion – Rack Glide (Upper) (ML-126811)	AR
	00-425440-00004	Slide – Rack Glide (Nylon) (ML-126811)	AR
	00-425440-00012	Rack (Upper) (ML-126811)	AR
	00-425440-00015	Rack (Lower) (ML-126811)	AR
	00-851800-00453	Leg (ML-114915)	AR
	00-853557	Temperature Probe – Laser	AR
	00-424087-00001	Caster – Swivel (5 in.) (All Except ML-114915)	AR
	00-851800-00572	Midshelf (ML-114912 & ML-114918)	AR

