

HOBART

**CATALOG OF
REPLACEMENT PARTS**



GAS RESTAURANT RANGE

MGR36
MGR36C

A product of HOBART CORPORATION

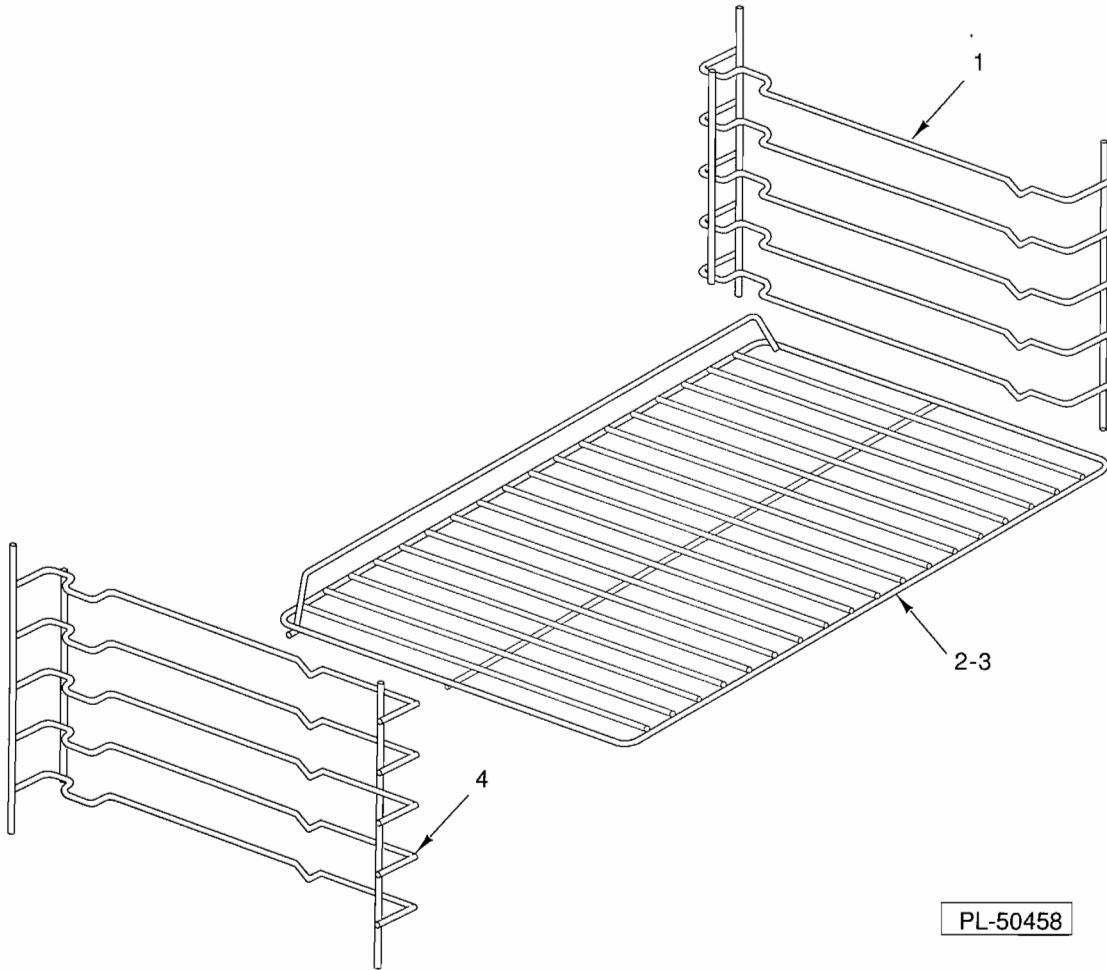
TROY, OHIO 45374

FORM 18203 (8-91)

PRODUCT IDENTIFICATION CODE

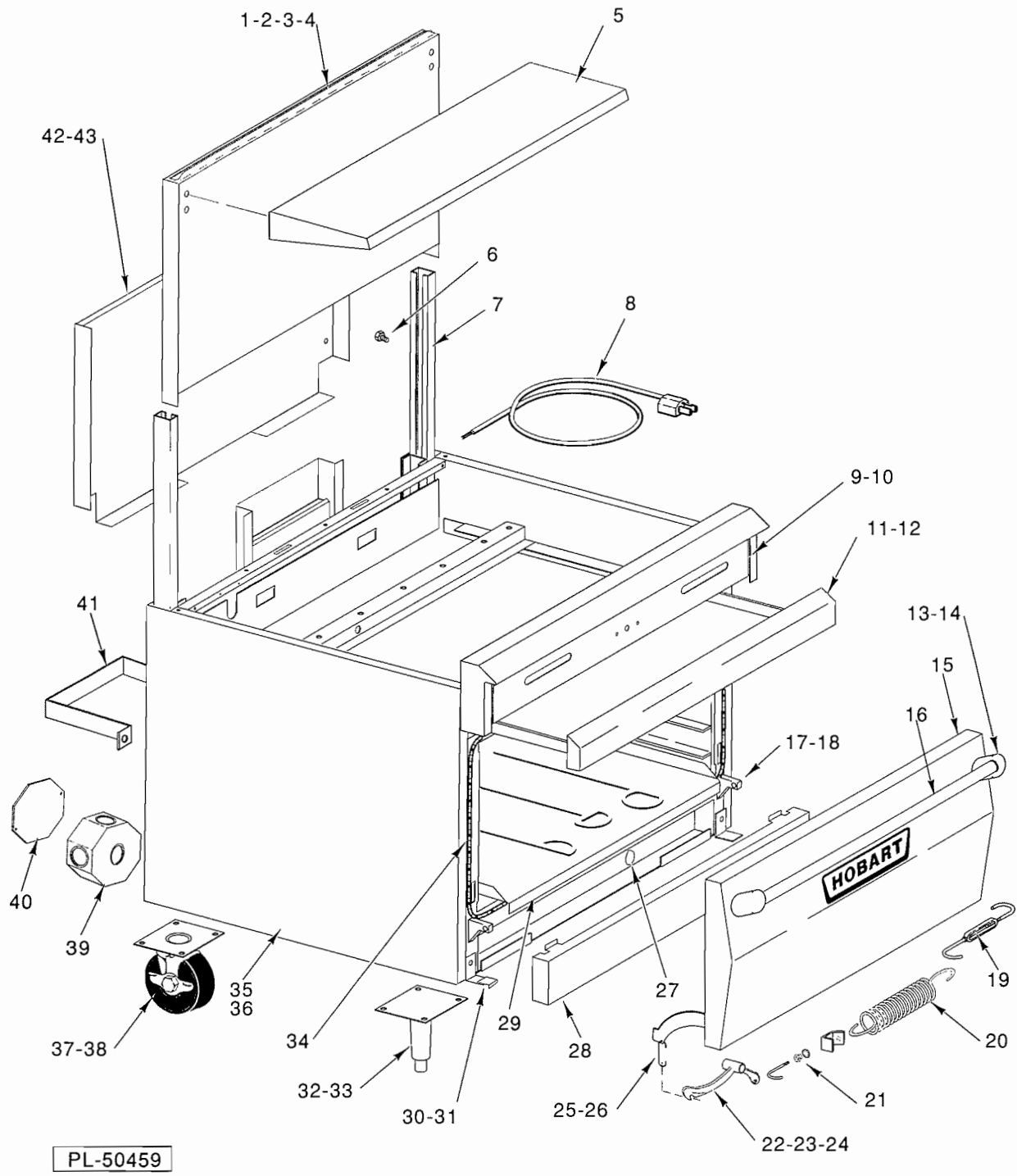
C = CONVECTION OVEN

MODEL	WIDTH (INCHES)	OVEN DESCRIPTION
MGR36	36	(1) STD. OVEN
MGR36C	36	(1) CONVECTION OVEN



OVEN RACKS

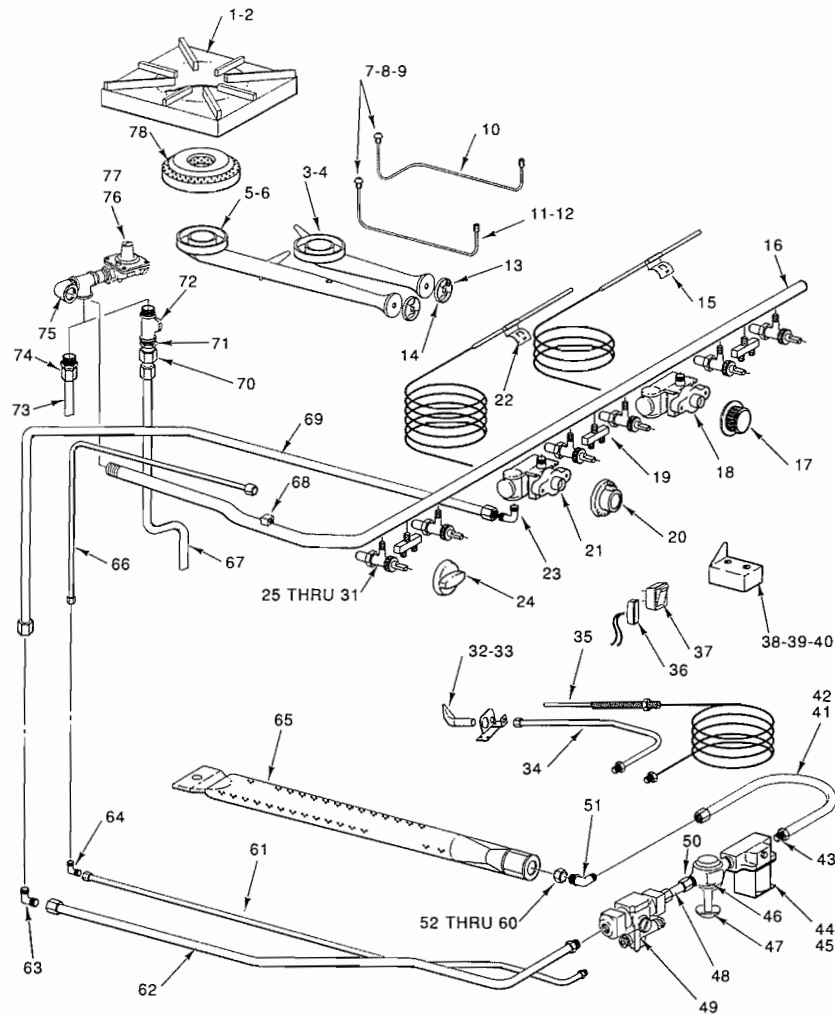
ILLUS. PL-50458	PART NO.	NAME OF PART	AMT.
1	415430-3	Support - Rack Assy (R.H.) (Convection Ovens)	1
2	413991-2	Rack-Oven (Convection Ovens Only) (Shown)	1
3	413300-1	Rack - Oven (Std. Ovens)	1
4	415430-4	Support - Rack Assy (L.H.)(Convection Ovens)	1
	417632-1	Rack - Broiler Griddle	1



OVEN BODY

OVEN BODY

ILLUS. PL-50459	PART NO.	NAME OF PART	AMT.
1	417331-1	Back-Splasher (24" High, SST) Model 36	1
2	417336-1	Back-Splasher (12" High, SST) Model 36	1
3	SC-81-78	Mach. Screw 1/4-20 x 2 1/2 Rd. Hd. (Used for Shelf Mounting)	4
4	NS-44-14	Nut - 1/4-20 Hex "Keps"	4
5	417244-G1	Shelf (SST) 36"	1
6	SD-32-7	Self-Tapping Screw 10-24 x Hex Washer Hd., Type TT	AR
7	417252-1	Channel - Bayonet (Used With items 1 & 2)	2
8	405016-1	Cord - Elec. Supply 120V. Only (Convection Ovens)	1
9	417596-1	Panel - Manifold Cover Model 36	1
10	417597-1	Panel - Manifold Cover Model 36	1
11	417583-G1	Drip Pan Handle Assy. (Dim. 36")	1
12	417229-1	Pan - Drip (Dim. 36")	1
13	413416-1	Post - Right Door Handle	1
14	413416-2	Post - Left Door Handle	1
15	418275-G4	Door Assy. (SST) (36" Std. Oven) (Incls. items 13, 14 & 16)	1
16	417440-3	Handle - Oven Door (36")(SST)	1
17	414976-1	Block - Trunion (Std. Ovens)	2
18	413785-1	Stud - Trunion Block	2
19	417865-1	Turnbuckle (36")	1
20	404053-1	Spring - Oven Door (36")	2
21	NS-47-73	Lock Nut 5/16-18 Hex	2
22	403956-1	Crank - Bell	2
23	PC-3-34	Cotter Pin 3/32	2
24	RS-32-89	Rivet - 1/4 x 2 Flat Hd.	2
25	413381-1	Hook - Bell Crank (R.H.)	1
26	413381-2	Hook - Bell crank (L.H.)	1
27	411928-1	Cover - Lighter Hole (Std. Ovens)	1
28	417339-G1	Kick Panel Assy. (Model 36)	1
29	414380-2	Bottom - Oven (Convection Ovens Only) (Not Shown)	1
30	413371-1	Clip - Spring	2
31	417362-1	Retainer - Kick Panel	2
32	413112-1	Leg 6"	4
33	413112-12	Leg 6" (SST)	4
34	417426-2	Gasket - Oven	1
35	417212-3	Side - Body (RH) (SST)	1
36	417212-4	Side - Body (LH) (SST)	1
37	410118-20	Caster	1
38	410118-21	Caster W/Brake	1
39	406734-1	Box - Junction (Octagon) (Convection Ovens Only)	1
40	406734-2	Cover-Jct. Box (Convections Only)	1
41	414479-1	Bar - Bumper (Convection Ovens Only)	1
42	417341-1	Shield - Heat (23"High) Model 36 (Ptd.)	1
43	417331-2	Shield - Heat (23" High) Model 36 (Ptd.)	1



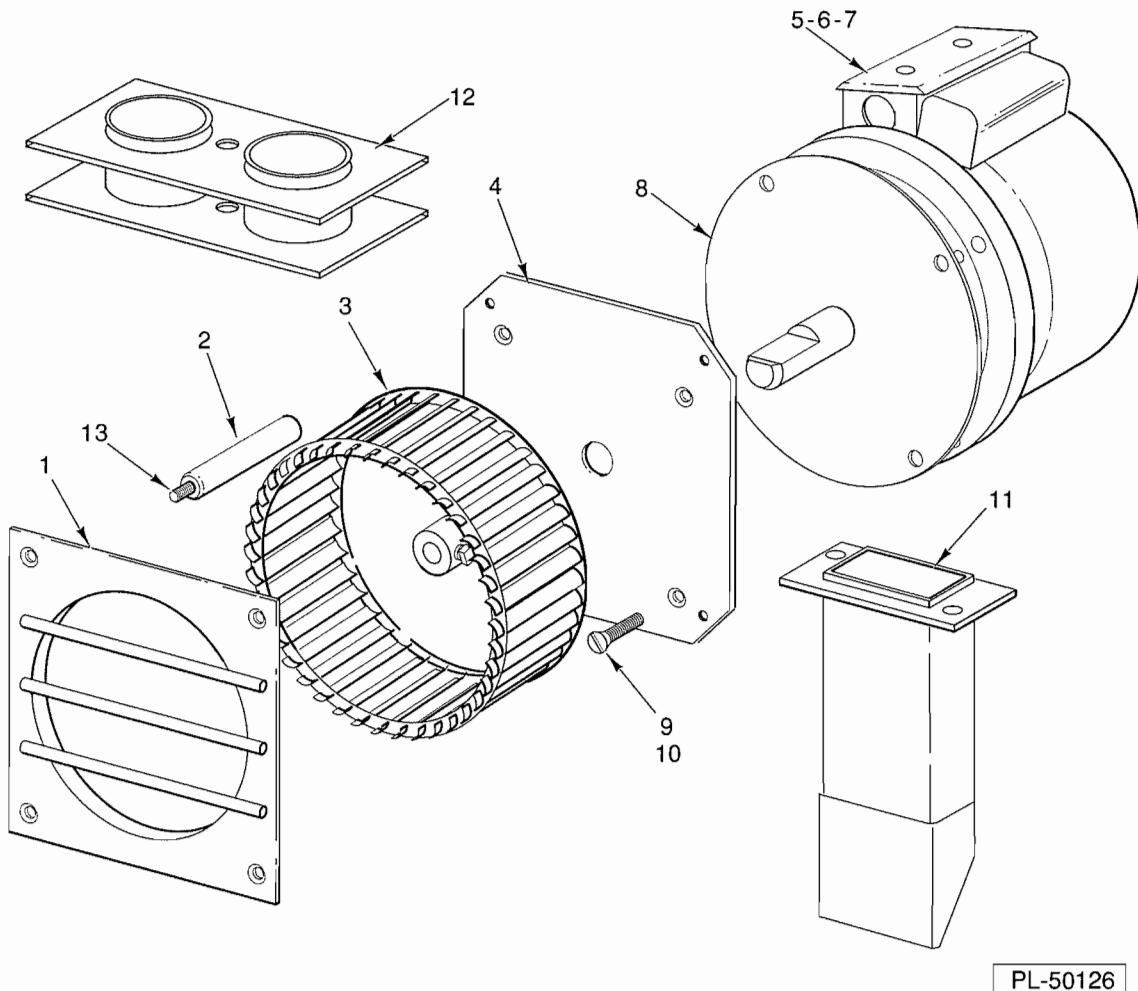
PL-50460

GAS COMPONENTS

ILLUS. PL-50460	PART NO.	NAME OF PART	AMT.
1	417256-1	Grate	6
2	417370-1	Casting - Hot Top (Not Shown)	6
3	413302-1	Clip - Pilot Mounting	3
4	417258-1	Venturi - Front	3
5	417260-1	Venturi - Rear	3
6	413302-1	Clip - Pilot Mounting	3
7	412063-2	Tip - Pilot	6
8	FP-47-14	Nut - Compression 3/16	6
9	FP-77-23	Sleeve - Tube 3/16 Compression	6
10	417416-1	Tube - Pilot Rear	3
11	417415-1	Tube - Pilot Front (Shown)	3
12	413008-1	Tube - Pilot	3
13	SD-35-59	Self-Tapping Screw 10-24 x 3/8 Sl. Pan Hd., Type F	3
14	404060-1	Mixer - Air	3
15	415677-1	Clip - Capillary	AR
16	417280-1	Manifold (Model 36)	AR
17	414419-1	Dial - Thermostat (Fahrenheit) (Convection Ovens Only)	1
18	411506-11	Thermostat (KXT) (Convection Ovens Only)	1

GAS COMPONENTS (Cont.)

ILLUS. PL-50460	PART NO.	NAME OF PART	AMT.
19	409557-4	Valve - Pilot (Dual)	3
20	417576-5	Dial - Control (Std. Ovens)	1
21	417424-G3	Thermostat (BJWA) (Standard Ovens Only) (Incls. item 20)	1
22	415677-1	Clip - Capillary	AR
23	FP-86-43	Fitting - 7/16 Tube x 1/4 FPT Brass Elbow 90 Deg.	1
24	417251-2	Knob - Control (Black)	6
25	404076-F44	Burner Valve (Nat.) (Sea Level to 2000 Ft.)	6
26	404076-F45	Burner Valve (Nat.) (2000 to 4000 Ft.)	6
27	404076-F46	Burner Valve (Nat.) (4000 to 6000 Ft.)	6
28	404076-F47	Burner Valve (Nat.) (6000 to 8000 Ft.)	6
29	404076-F55	Burner Valve (LP) (Sea Level to 4000 Ft.)	6
30	404076-F56	Burner Valve (LP) (6000 to 4000 Ft.)	6
31	404076-F57	Burner Valve (LP) (8000')	6
32	412787-1	Pilot - Oven (Nat.)	1
33	412787-2	Pilot - Oven (LP)	1
34	417499-1	Tube - Pilot to Safety (Std. Oven Units)	1
35	412788-1	Thermocouple	1
36	411496-E5	Light - Indicator (250 V.) (Convection Ovens Only)	1
37	411496-B4	Switch - Rocker (On/Off) S.P.S.T. (Convection Ovens Only)	1
38	415486-1	Insulator - Micro Switch (Convection Oven Only)	1
39	411496-F1	Switch - Door (Convection Ovens Only)	1
40	414343-1	Bracket - Door Switch L.H.	1
41	413370-1	Tubing - Safety To Nozzle (Std. Ovens)	1
42	413370-3	Tubing - Safety To Nozzle (Convection Ovens)	1
43	FP-85-42	Connector - Straight (7/16 Tube to 3/8 MPT)	1
44	411497-F2	Solenoid - Gas Valve 240V. (Convection Ovens Only)	1
45	411497-F1	Solenoid - Gas Valve 120V. (Convection Ovens Only)	1
46	407789-3	Valve - Service	1
47	402957-2	Handle - Gas Cock (RED)	1
48	414454-1	Tubing - Safety to Valve	1
49	405569-2	Pilot - Auto (Safety Shut-Off)	1
50	FP-86-7	Connector - Straight (7/16 Tube to 3/8 FPT)	1
51	404079-F	Nozzle - Oven Burner	1
52	10901-32	Orifice - Spud (Nat.) (Sea Level to 2000 Ft.) (Std. Ovens)	1
53	10901-36	Orifice - Spud (Nat.) (4000 to 8000 Ft.) (Std. Ovens)	1
54	10901-36	Orifice - Spud (Nat.) (Sea Level to 2000 Ft) (Convection Ovens)	1
55	10901-51	Orifice - Spud (LP) (Sea Level to 2000 Ft.) (Std. Ovens)	1
56	10901-52	Orifice - Spud (LP) (2000 to 4000 Ft.) (Std. Ovens)	1
57	10901-52	Orifice - Spud (LP) (Sea Level to 2000 Ft.) (Convection Ovens)	1
58	10901-53	Orifice - Spud (LP) (4000 to 6000 Ft.) (Std. Ovens)	1
59	10901-53	Orifice - Spud (Butane) (2000 to 4000 Ft.) (Convection Ovens)	1
60	10901-52	Orifice - Spud (Butane) (Std. Ovens)	1
61	417414-1	Tubing - Pilot (Pilot Elbow To Safety) (All Sing Oven Units)	1
62	417419-1	Tubing - Burner (Safety to Fitting)	1
63	FP-85-97	Fitting - Tube 7/16 x 7/16 Brass Elbow 90 Deg.	1
64	FP-47-24	Fitting - Tube 1/4 x 1/4 Brass Elbow 90 Deg.	1
65	413225-G1	Tube - Burner (Oven)	1
66	417389-1	Tubing - Manifold to Elbow (1/4 Dia.)	1
67	417455-1	Tubing - L.H. Supply to Elbow	1
68	404193-1	Valve - Pilot	1
69	417423-1	Tube - Burner (Fitting to L.H. Thermostat) (Std. Ovens Only)	1
70	FP-85-42	Connector - Straight (7/16 Tube to 3/8 MPT)	1
71	FP-26-17	Bushing 3/4 to 3/8 (RED)	1
72	FP-19-26	Tee 3/4 x 3/4 x 3/4	1
73	417455-1	Tubing - L.H. Supply to Elbow	1
74	FP-85-42	Connector - Straight (7/16 Tube to 3/8 MPT)	1
75	FP-78-86	Street Elbow 3/4 x 90 Deg.	1
76	408279-20	Regulator - Pressure (Nat. Gas)	1
77	408279-21	Regulator - Pressure (LP & Butane Gas)	1
78	417608-1	Head - Burner (12")	6
	FP-79-20	Plug - Manifold 9/19-27 NPT (Convection Ovens Only) (Not Shown)	AR
	405569-3	Sleeve - Breakaway 1/4 (Use With item 49)	2
	405569-4	Sleeve - Breakaway 7/16 (Use With item 49)	2
	417856-1	Lug - Grounding (With Set Screw)	1



CONVECTION OVEN BLOWER

ILLUS. PL-50126	PART NO.	NAME OF PART	AMT.
1	413990-G4	Cover - Fan	1
2	411289-3	Spacer - Pipe 1/4 I.D. x 2 5/16 Lg.	4
3	415780-8	Blower Wheel (7" Dia.)(Incls. Set Screws)	1
4	413987-1	Mount - Motor	1
5	413994-1	Motor 1/4 H.P., 115V	1
6	413994-2	Motor 1/4 H.P., 240V	1
7	414368-2	Insulator - Rear Closure (970 Paper) (Not Shown)	1
8	414367-1	Insulator - Motor (970 Paper)	1
9	SC-120-14	Mach. Screw 1/4-20 x 2 Flat Hd.	AR
10	NS-44-14	Nut - 1/4-20 Hex "Keps"	AR
11	413627-G2	Tube - Snorkel Assy	1
12	413588-G2	Vent Assy	1
13	SC-111-3	Mach. Screw 1/4-20 x 3 Rd. Hd.	4
	414413-1	Cover - Controls	1
	414001-2	Deflector - Air	2
	412630-2	Spacer 1 1/16 Dia. x 1 1/16 Lg.	4