



CATALOG OF REPLACEMENT PARTS

THIS CATALOG OBSOLETES AND
REPLACES F19433A, F34386,
F43080, & F43100



QUANTUM SCALE/PRINTER

SCALE/PRINTER

ML-29032	ML-29271
ML-29035	ML-29277
ML-29037	ML-29293
ML-29041	ML-29305
ML-29042	ML-29306
ML-29191	ML-29312
ML-29238	ML-29316
ML-29249	ML-29319
ML-29252	ML-29320
ML-29260	

HANGING SCALE/PRINTER

ML-29188
ML-29265

SCALE ONLY

ML-29256	30 LB Capacity
ML-29227	50 LB Capacity
ML-29258	300 LB Capacity

PRIOR MLS COVERED IN THIS MANUAL

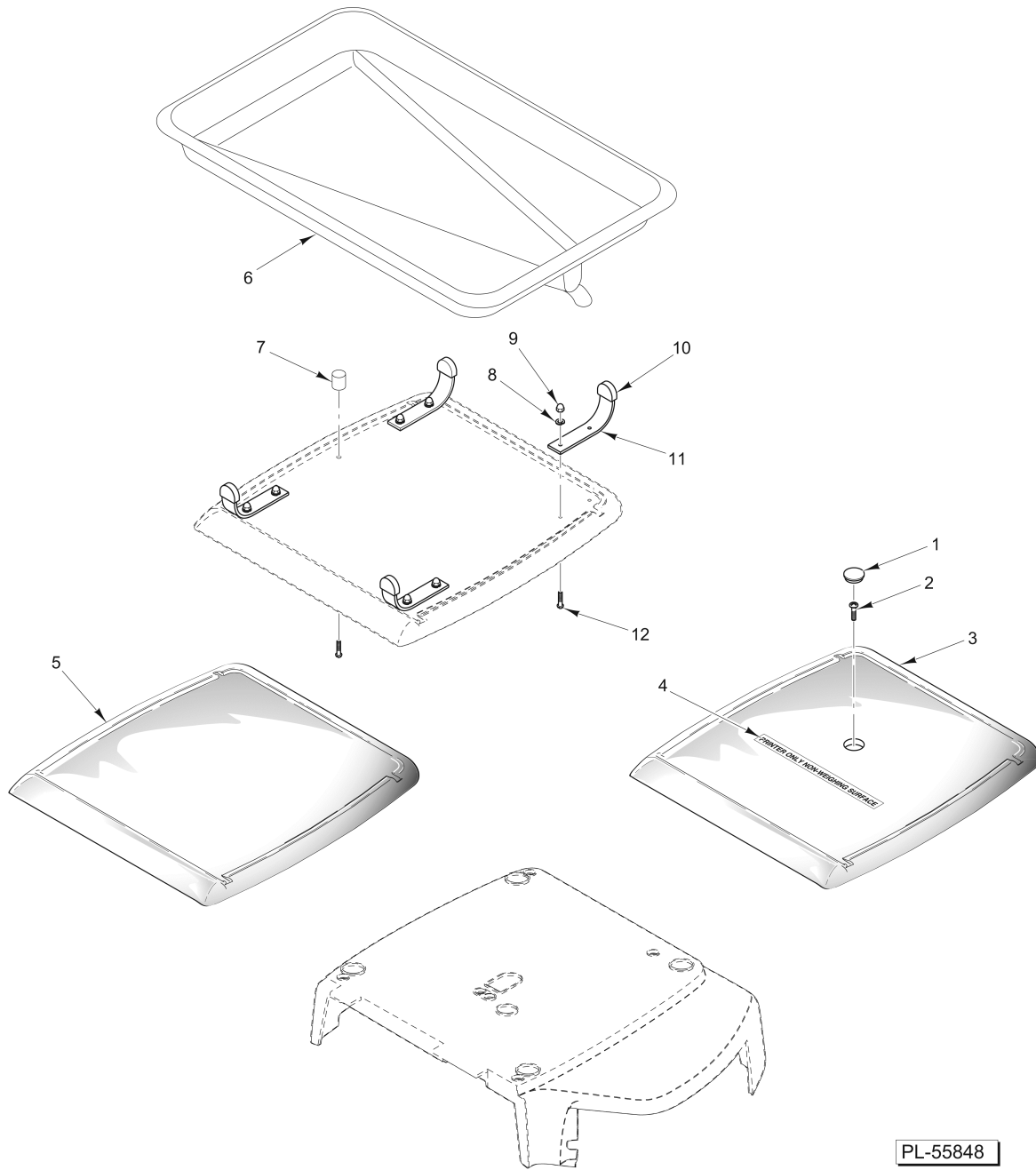
ML-28879
ML-28889
ML-29039
ML-29192

PRINTER ONLY

ML-29044	ML-29264
ML-29048	ML-29272
ML-29207	ML-29294
ML-29239	ML-29302
ML-29250	ML-29307
ML-29253	ML-29317
ML-29257	ML-29318

Table of Contents

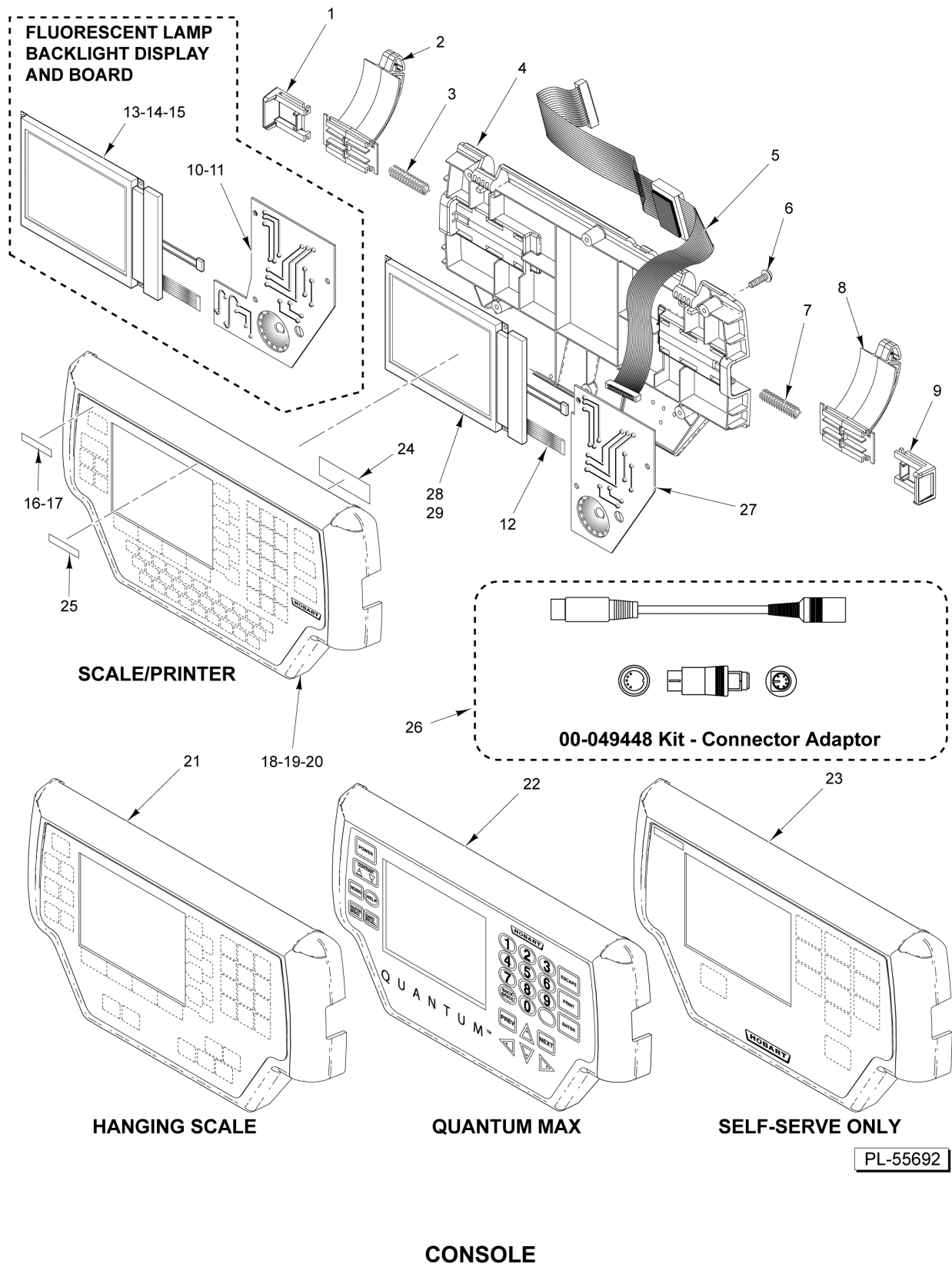
5	PLATTERS AND FISH PAN KIT
7	CONSOLE
9	BASE AND HOUSING
11	COMPONENTS
13	PRINTER
17	CASSETTE (WIDE LABEL)
19	CASSETTE (NARROW LABEL)
21	CASSETTE UNIT (LINERLESS)
23	SCALE UNIT
25	300 LB SCALE
27	PLATFORM UNIT
29	SUPPORT UNIT
31	HOT CASE KIT
33	TCP/IP WIRELESS COMMUNICATION KIT
35	TCP/IP WIRED COMMUNICATION KIT
37	QUANTUM 3COM BRIDGE KIT
39	QUANTUM DPAC2 BRIDGE KIT
41	QUANTUM CB3000 BRIDGE KIT
43	ELEVATED DISPLAY
45	REMOTE CONSOLE UNIT
47	CONSOLE WITH SPEED KEYS
49	PAN AND ARM
51	COVER PAGE - QUANTUM SCALE/PRINTER



PLATTERS AND FISH PAN KIT

PLATTERS AND FISH PAN KIT

ILLUS.	PART NO.	NAME OF PART	AMT.
PL-55848			
1	00-445214-00001	Plug - Cover.....	1
2	SC-018-31	Mach. Screw 8-32 x 3/8 Phil. Pan Hd.....	1
3	00-445262-00001	Cover - Printer Top (Gray) (All Printer Only and Hanging Scale Models).....	1
4	00-043297	Label - Non-Weighing Surface (ML-28889).....	1
5	00-043304	Platter Assy. (All Scale/Printer Models).....	1
6	00-183358	Kit - Fish Pan & Arms (Incls. Items 7 thru 12).....	1
7	00-044898	Bumper - Fish Pan.....	1
8	WL-006-42	Lockwasher #6 Medium.....	8
9	NS-046-33	Acorn Nut 6-32 Hex.....	8
10	00-013999-00001	Tip - Pan Holder.....	4
11	00-184185	Arm Assy. (Incls. Item 10).....	1
12	SC-111-31	Mach. Screw 6-32 x 5/16 Slotted Truss Hd.....	9

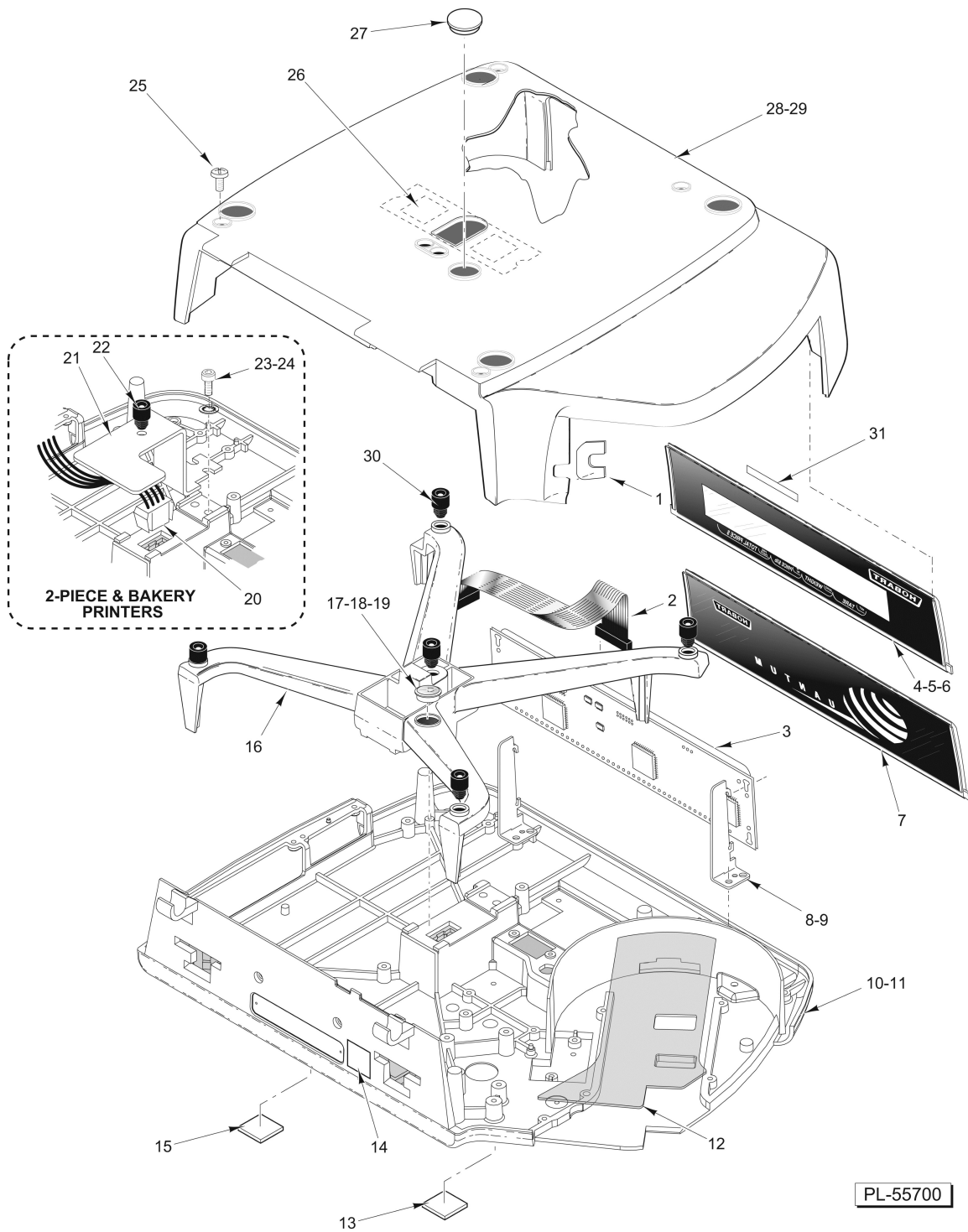


PL-55692

CONSOLE

ILLUS.	PART NO.	NAME OF PART	AMT.
	PL-55692		
1	00-043315	Button - Console Latch.....	1
2	00-043314	Arm - Console.....	1
3	00-043316	Spring - Latch Return.....	1
4	00-043312	Housing - Rear Console.....	1
5	00-043602	Cable - Console (26 Pos.).....	1
6	SD-037-72	Self-Tapping Screw 6-19 x 1/2 Phil. Pan Hd.....	6
7	00-043316	Spring - Latch Return.....	1
8	00-043314	Arm - Console.....	1
9	00-043315	Button - Console Latch.....	1
*10	00-046514	Board - Console (All Models Except ML-29238 & ML-29239).....	1
*11	00-442355	Board - Console (ML-29238 & ML-29239).....	1
12	00-046507	Cable Assy. - Display to Console Board.....	1
13	00-913102-00027	Kit - Display & Housing (Incls. Items 14, 15, & 19) (ML-28879 & ML-28889).....	1
14	00-447645	Kit - Display (LED Backlight) (Incls. Items 27 & 28).....	1
15	SD-033-14	Self-Tapping Screw 4-40 x 1/4 Phil. Pan Hd.....	4
16	00-048361	Label - Capacity (30 x 0.01 Lb.) (ML-29041, ML-29042, ML-29188, & ML-29265).....	1
17	00-443487	Label - Capacity (50 x 0.01 Lb.) (ML-29260).....	1
18	00-913102-00027	Kit - Display & Housing (Incls. Items 14, 15, & 19) (ML-28879 & ML-28889).....	1
19	00-048599-00001	Housing & Keyboard Assy. (All Except ML-29039, ML-29041, ML-29042, ML-29188, ML-29238, ML-29239, ML-29264, ML-29265, ML-29302, & ML-29306).....	1
20	00-442503-00003	Housing & Keyboard Assy. (Touchscreen with QWERTY Keyboard).....	1
21	00-048599-00009	Housing & Keyboard Assy. - Self-Service Hanging (ML-29188 & ML-29265).....	1
22	00-442503-00001	Housing & Keyboard Assy. (ML-29238, ML-29239, & ML-29264).....	1
23	00-048599-00007	Housing & Keyboard Assy. (All Except ML-29039, ML-29041, ML-29042, ML-29302, & ML-29306).....	1
24	00-046509	Label - Display Warning.....	1
25	00-047094	Label - Prepack Only.....	1
26	00-049448	Kit - Connector Adaptor (AT to XT and PS-2 to AT).....	1
27	00-447485	Board Assy. (LED Backlight).....	1
28	00-446007	Display Assy. (LED Backlight).....	1
29	SD-033-14	Self-Tapping Screw 4-40 x 1/4 Phil. Pan Hd.....	4

* (Used with Fluorescent Lamp Backlight Display. Not compatible with LED Backlight Display.)

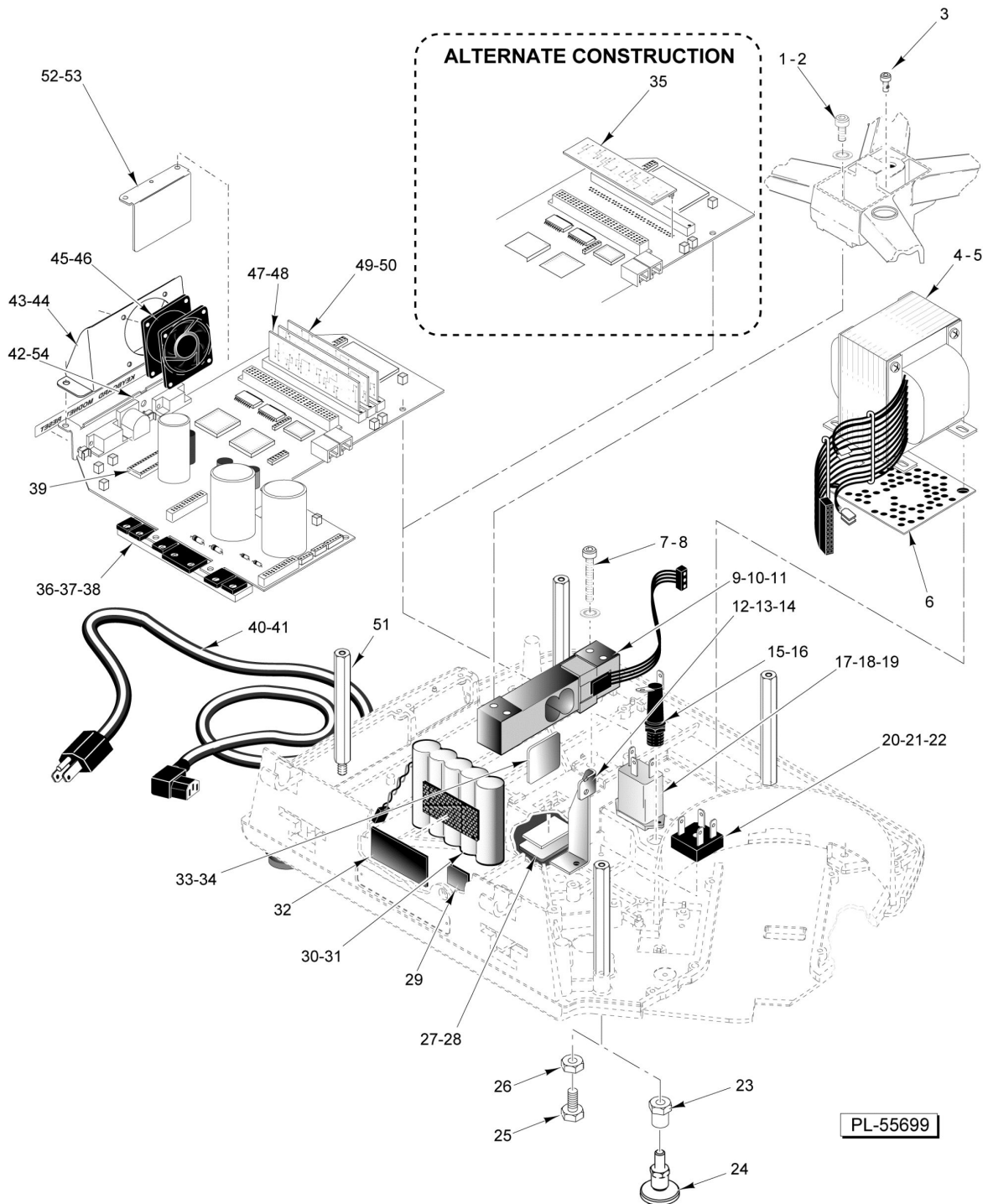


BASE AND HOUSING

BASE AND HOUSING

ILLUS. PL-55700	PART NO.	NAME OF PART	AMT.
1	00-043274	Shield - Infrared.....	1
2	00-043601	Cable - VF Display.....	1
3	00-043527	Board - VF Display.....	1
4	00-043308	Screen Assy. - Customer VF Display (All VF Display Models Except ML-29260).....	1
5	00-443486	Screen Assy. - Customer VF Display (50 Lb.) (ML-29260).....	1
6	00-443497	Screen Assy. - Customer VF Display (Dual Capacity).....	1
7	00-044857	Panel - Filler (All Scale/Printer Models W/O Display and All Printer Only Models).....	1
8	00-043342	Bracket - VFD Mounting (VF Display Models).....	2
9	SD-015-40	Self-Tapping Screw 8-32 x 3/8 Phil. Pan Hd., Type TT.....	2
10	00-444750-00002	Base - Main (All Models Except Hanging Scales).....	1
11	00-444750-00003	Base - Main (ML-29188 & ML-29265).....	1
12	00-441701	Label - Anti-Friction.....	1
13	00-438131-061-1	Label - Warning (California).....	1
14	00-442553	Label - Class.....	1
15	00-044551	Label - Communications Port.....	1
*16	00-043302	Platter - Sub.....	1
*17	00-043112	Level - Spirit.....	1
*18	00-043257	Tape - Level.....	1
19	00-441243	Cover - Level Bubble (Incls. Foam Gasket).....	1
20	00-044859-00001	Cable Assy. (All Printer Only Models).....	1
21	00-043285	Bracket - Top Cover Mounting (ML-28889).....	1
22	00-043319	Mount - Platter (ML-28889).....	1
23	SC-062-20	Cap Screw 1/4-20 x 3/8 Hex Hd. (ML-28889).....	2
24	WL-008-17	Lockwasher 1/4 Internal (ML-28889).....	2
25	SC-018-31	Mach. Screw 8-32 x 3/8 Phil. Pan Hd.....	5
26	00-440726	Bracket Assy. - Cover.....	1
*27	00-445214-00001	Plug - Cover.....	1
*28	00-443636-00001	Housing and Bracket Assy. (Incls. Item 26).....	1
29	00-443633-00001	Housing - Main (Gray).....	1
*30	00-043319	Mount - Platter.....	5
31	00-443424	Label - Capacity (Dual Capacity).....	1
	00-443058	Kit - Base Labels (Incls. Items 14 & 15).....	1

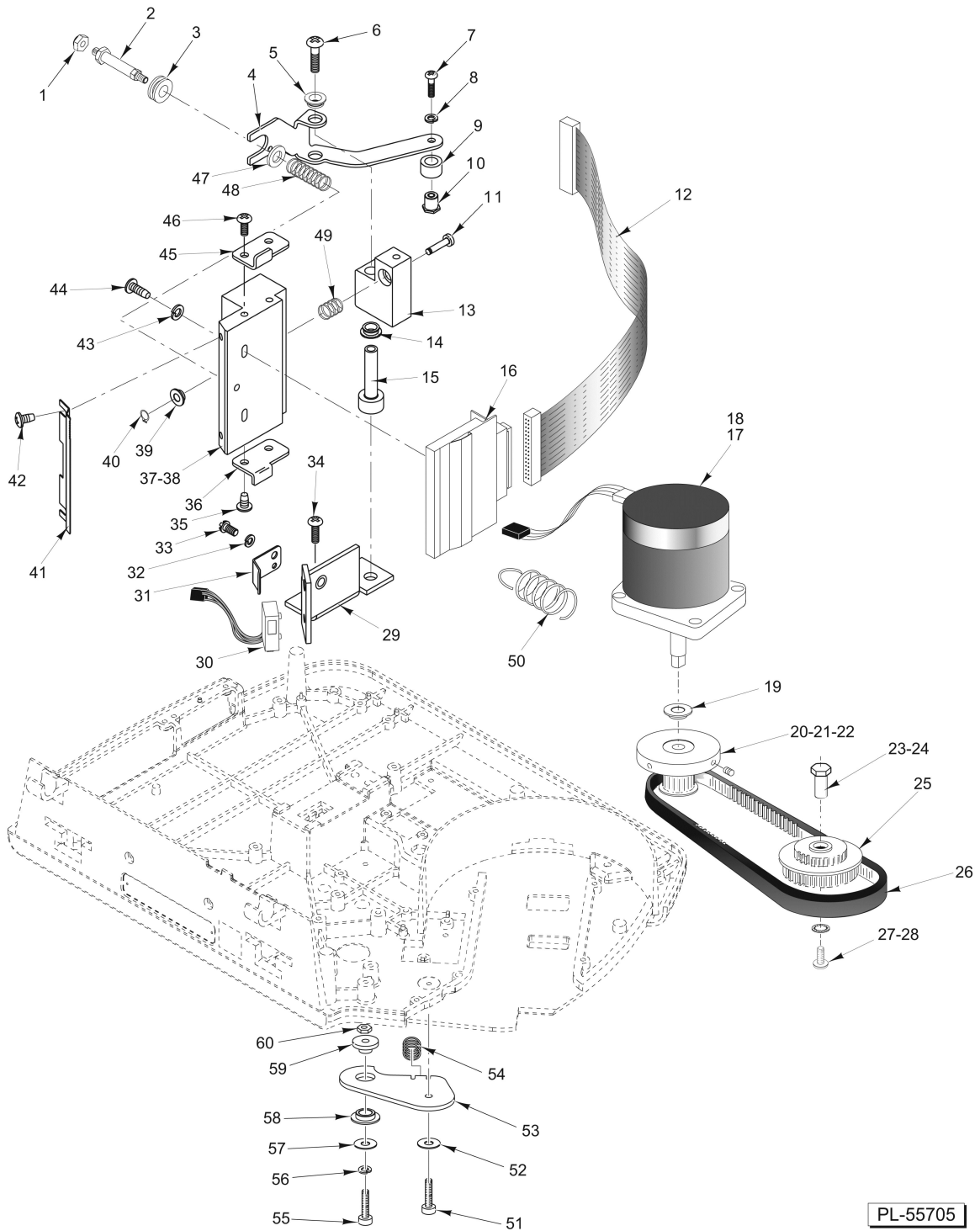
* (All Models With Printers Including Hanging Scales.)



COMPONENTS

COMPONENTS

ILLUS.	PART NO.	NAME OF PART	AMT.
PL-55699			
1	SC-040-77	Cap Screw 1/4-20 x 5/8 Hex Socket Hd.....	2
2	WL-008-17	Lockwasher 1/4 Internal.....	2
3	00-043286	Cap Screw 8-32 x 1/2 Socket Hd.....	AR
4	00-043605	Transformer.....	1
5	SD-015-40	Self-Tapping Screw 8-32 x 3/8 Phil. Pan Hd., Type TT.....	2
6	00-043393	Screen - Transformer.....	1
7	SC-120-70	Cap Screw 1/4-20 x 1-5/8 Hex Socket Hd.....	2
8	WL-008-17	Lockwasher 1/4 Internal.....	2
9	00-443075	Loadcell (30 Lb.) (All Scale/Printers and Hanging Scale Models Except ML-29260)	1
10	00-044899	Loadcell Assy. (50 Lb.) (ML-26260).....	1
11	00-443488	Cable - Scale (Loadcell).....	1
12	00-043275	Bracket - Wire Retainer (All Standard Scale Printer Models).....	1
13	00-251199	Tie - Cable (4 In. Long) (All Standard Scale Printer Models).....	1
14	SD-015-40	Self-Tapping Screw 8-32 x 3/8 Phil. Pan Hd., Type TT.....	1
15	00-043622	Holder - Fuse.....	1
16	FE-022-23	Fuse (3.0 Amp.) (250 V.).....	1
17	00-044650	Filter - Line.....	1
18	SD-015-38	Self-Tapping Screw 6-32 x 3/8 Phil. Pan Hd., Type TT.....	2
19	WL-008-02	Lockwasher #6 Internal Shakeproof.....	2
20	00-043606	Bridge Rectifier (15 Amp.) (100 V.).....	1
21	SD-015-42	Self-Tapping Screw 8-32 x 5/8 Phil. Pan Hd., Type TT.....	1
22	00-519504	Thermo Joint Compound (2 oz.).....	AR
23	00-440622	Lock Nut SPCL.....	4
24	00-443045	Foot Assy. (Incls. Item 23) (All Models Except ML-29188 & ML-29265).....	4
25	SC-036-09	Cap Screw 1/4-20 x 1-1/4 Hex Hd.....	4
26	NS-018-01	Jam Nut 1/4-20 Hex (SST).....	4
27	00-043389	Plate - Remote Weigher (All Hanging Scale and Printer Only Models).....	1
28	00-043256	Tape (All Hanging Scale and Printer Only Models).....	1
29	00-043284	Fastener - Dual Lock (Cable) (ML-28879 & ML-28889).....	1
30	00-043263	Battery Pack	1
31	00-251199	Tie - Cable (4 In. Long).....	1
32	00-043395	Fastener - Dual Lock (Battery).....	1
33	00-043390	Plate - SM Port.....	1
34	00-043256	Tape.....	1
35		Board (This style no longer available, order Item 47).....	1
36	00-043521-0000R	Main Board Assy. (Incls. Item 39).....	1
37	SD-015-40	Self-Tapping Screw 8-32 x 3/8 Phil. Pan Hd., Type TT.....	7
38	00-519504	Thermo Joint Compound (2 oz.).....	AR
39	00-043574-00008	PROM - Programmed.....	1
40	00-044479	Cord - Power (120 V.).....	1
41	00-044892	Cord - Power (Angle Plug) (120 V.).....	1
42	00-032998	Kit - Security Seal (Does not Include Wire Seal 00-444424).....	1
43	00-043392	Bracket - Fan Mounting.....	1
44	SD-015-40	Self-Tapping Screw 8-32 x 3/8 Phil. Pan Hd., Type TT.....	2
45	00-043632	Fan Assy.....	1
46	SD-019-26	Self-Tapping Screw 8-18 x 1-1/4 Phil. Rd. Hd., Type B.....	3
47	00-446830	Main Board Assy. (Incls. SPRAM Module, 8MB) (Used after serial number 45-1035-299) (Requires firmware version 00-442490-00020 or higher).....	1
48	00-042358	Board Assy. (2 MB PSRAM) (Used Before Serial Number 45-1059-300).....	AR
49	00-442490-00034	Board Assy. (Programmed R/W Flash) (All Models Except ML-29293).....	1
50	00-443600-00005	Board Assy. (Kroger VPN) (ML-29293).....	1
51	00-043318	Standoff (Housing Mount).....	4
52	SD-015-40	Self-Tapping Screw 8-32 x 3/8 Phil. Pan Hd., Type TT.....	2
53	00-043338	Bracket - ECB Blank.....	1
54	00-444424	Seal - Wire Roto (8 In.).....	1
	00-512987	Adhesive - Loctite 222 (Use With Item 53).....	AR



PRINTER

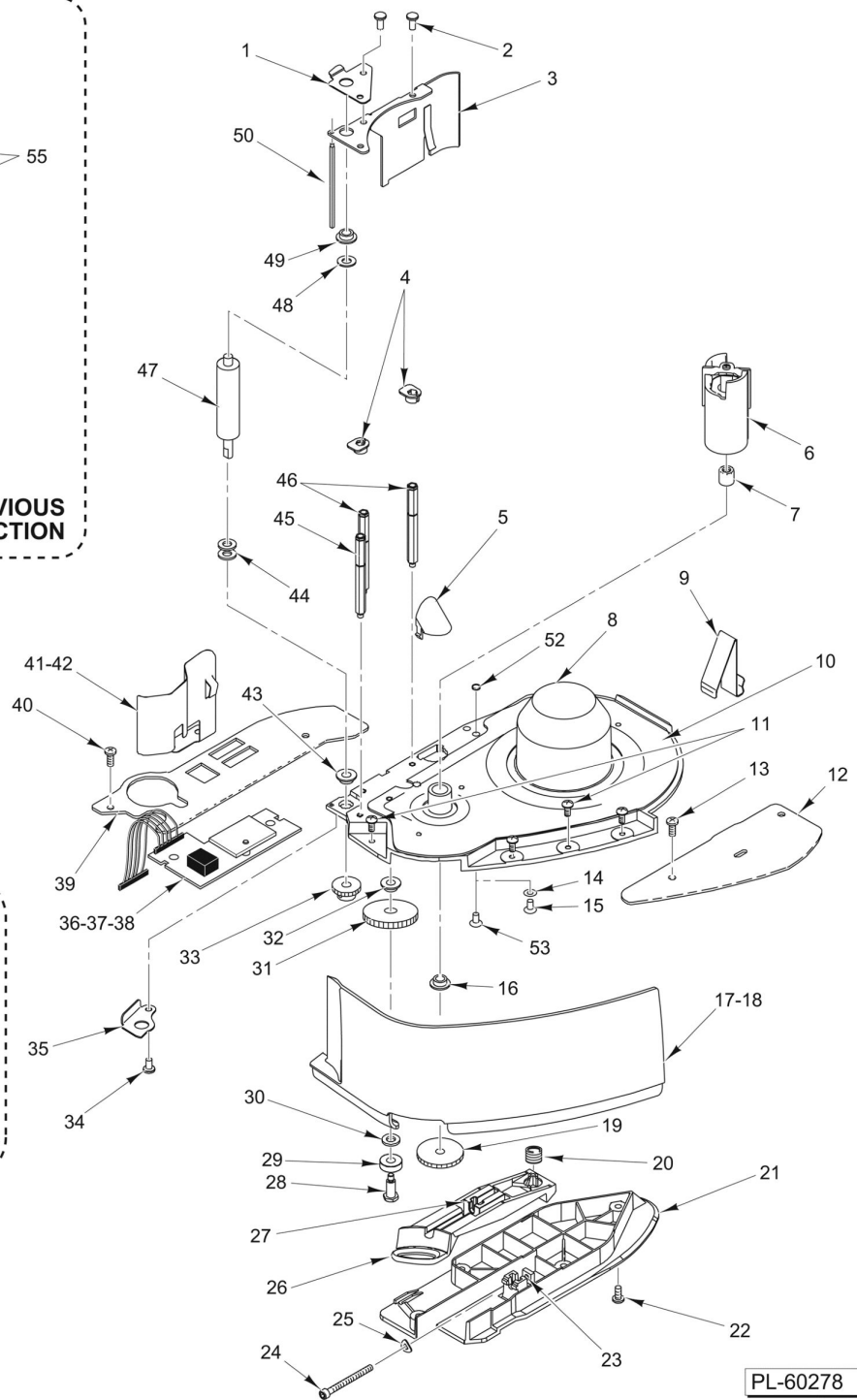
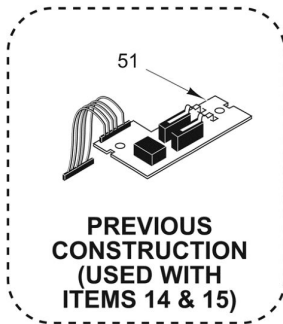
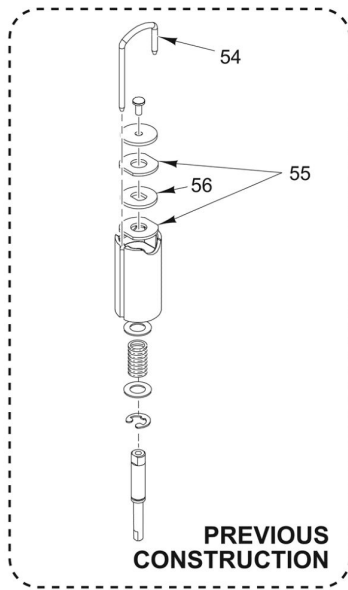
PRINTER

ILLUS. PL-55705	PART NO.	NAME OF PART	AMT.
1	NS-031-49	Stop Nut 10-32 Hex (SST).....	1
2	00-043267	Stud - Adjusting.....	1
3	00-043382	Bushing - Stud.....	1
4	00-043299	Bracket - Spring Pivot.....	1
5	00-043253	Bushing - Nyliner.....	1
6	SD-038-05	Self-Tapping Screw 8-32 x 1-3/4 Phil. Pan Hd., Type TT.....	1
7	SC-018-31	Mach. Screw 8-32 x 3/8 Phil. Pan Hd.....	1
8	WL-008-07	Lockwasher #8 Internal Shakeproof.....	1
9	00-043385	Roller - Pivot Arm.....	1
10	00-043386	Retainer - Roller.....	1
11	00-047424	Shaft - Printhead Pivot.....	1
12	00-043600	Cable - Printhead.....	1
13	00-047423	Pivot Block - Printhead.....	1
14	00-043253	Bushing - Nyliner.....	1
15	00-047441	Sleeve - Pivot.....	1
16	00-049843	Printhead - Thermal.....	1
	00-049396	Wire - Drain (Ground).....	1
17	00-440142-00002	Motor Assy. - Stepper.....	1
18	SD-015-41	Self-Tapping Screw 8-32 x 1/2 Phil. Pan Hd., Type TT.....	3
19	00-043365	Bushing.....	2
20	00-043265	Flywheel & Pulley Assy.....	1
21	SC-047-74	Set Screw 8-32 x 1/4 Hdls. Cup Pt.....	2
22	00-512987	Adhesive - Loctite 222.....	AR
23	00-043339	Shaft - Pulley & Gear (Non-Floating).....	1
24	00-441758	Shaft - Pulley & Gear (Floating).....	1
25	00-043250	Pulley & Gear Assy. (Incls. Bushings).....	1
26	00-043335	Belt - Timing.....	1
27	SC-092-36	Cap Screw 6-32 x 1/2 Hex Socket Hd.....	1
28	WL-008-02	Lockwasher #6 Internal Shakeproof.....	1
29	00-047442	Bracket - Label Taken Mtg.....	1
30	00-043610	Sensor Assy. - Label Taken.....	1
31	00-043394	Bracket - Label Taken.....	1
32	WL-008-07	Lockwasher #8 Internal Shakeproof.....	1
33	SC-018-31	Mach. Screw 8-32 x 3/8 Phil. Pan Hd.....	1
34	SD-015-40	Self-Tapping Screw 8-32 x 3/8 Phil. Pan Hd., Type TT.....	2
35	SD-015-37	Self-Tapping Screw 6-32 x 1/4 Phil. Pan Hd., Type TT.....	2
36	00-047438	Stop - Printhead Lower.....	1
37	00-047439	Heat Sink and Bushing Assy. (Incls. Items 35, 39, 42, & 46).....	1
38	00-519504	Thermo Joint Compound (2 oz.).....	AR
39	00-043365	Bushing.....	2
40	RR-006-22	Retaining Ring 1/4 In. (SST).....	1
41	00-032887	Tearbar.....	1
42	SD-015-37	Self-Tapping Screw 6-32 x 1/4 Phil. Pan Hd., Type TT.....	2
43	WL-019-58	Lockwasher #3 Internal Shakeproof.....	2
44	SC-121-76	Mach. Screw M3 x 0.5 x 12 mm Phil. Pan Hd.....	2
45	00-047437	Stop - Printhead Upper.....	1
46	SD-015-37	Self-Tapping Screw 6-32 x 1/4 Phil. Pan Hd., Type TT.....	2
47	WS-019-10	Washer (SST).....	1
48	00-043333	Spring - Printhead.....	1
49	00-048374	Spring - Printhead Adjusting.....	1
50	00-043387	Spring - Extension.....	1
51	SC-092-36	Cap Screw 6-32 x 1/2 Hex Socket Hd.....	1
52	WL-008-02	Lockwasher #6 Internal Shakeproof.....	1
53	00-441759	Plate - Pivot.....	1
54	00-048374	Spring - Printhead Adjusting.....	1

PRINTER

ILLUS.	PART NO.	NAME OF PART	AMT.
PL-55705			
55	SC-111-83	Cap Screw 6-32 x 3/4 Hex Socket Hd.....	1
56	WL-008-02	Lockwasher #6 Internal Shakeproof.....	1
57	WS-019-41	Washer (SST).....	1
58	00-043365	Bushing.....	1
59	00-441760	Bushing - Gear Adjusting.....	1
60	NS-031-03	Stop Nut 6-32 Hex.....	1
	00-913096-00001	Kit - Thermal Printer Cleaning.....	1

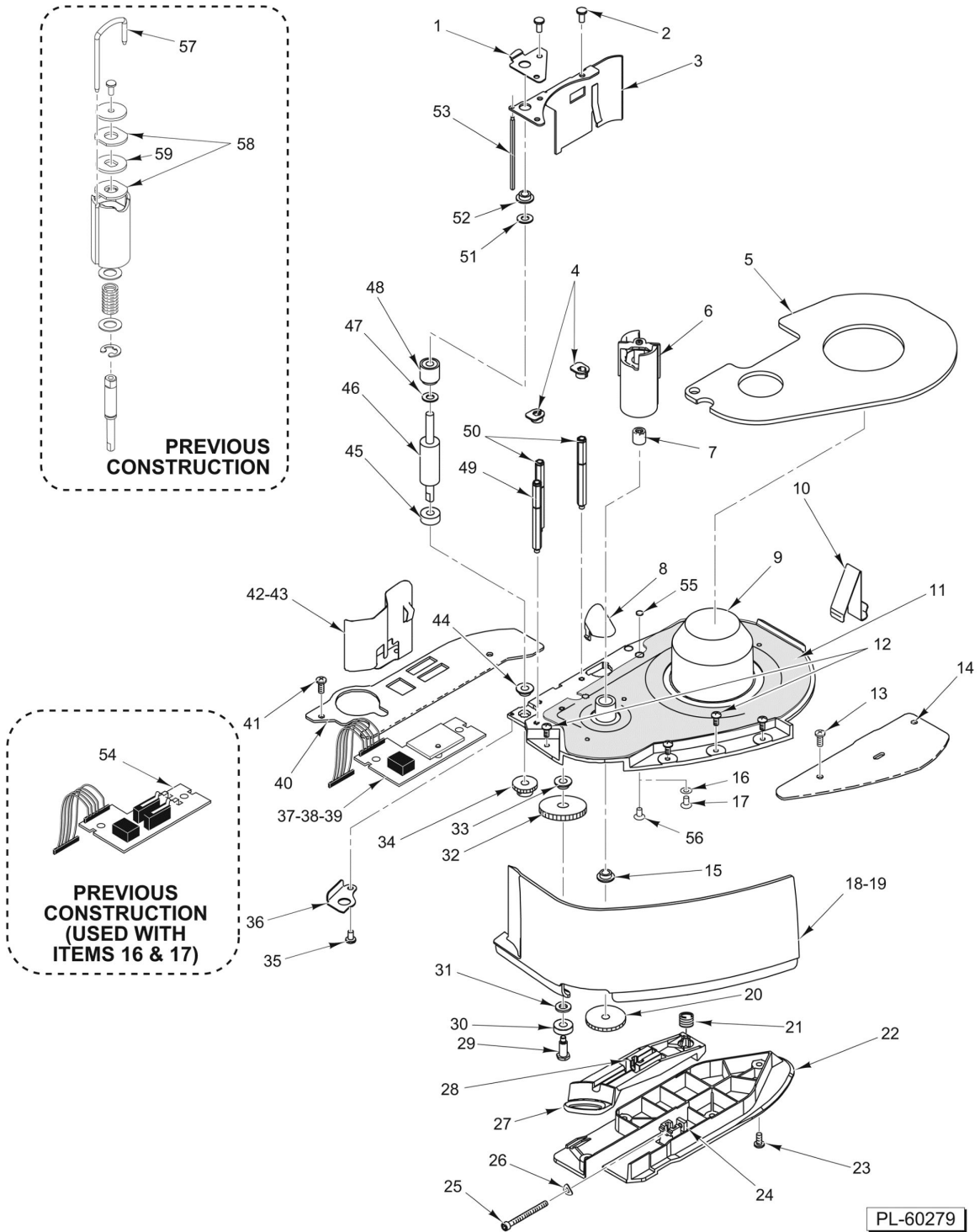
NOTES



**CASSETTE
(WIDE LABEL)**

**CASSETTE
(WIDE LABEL)**

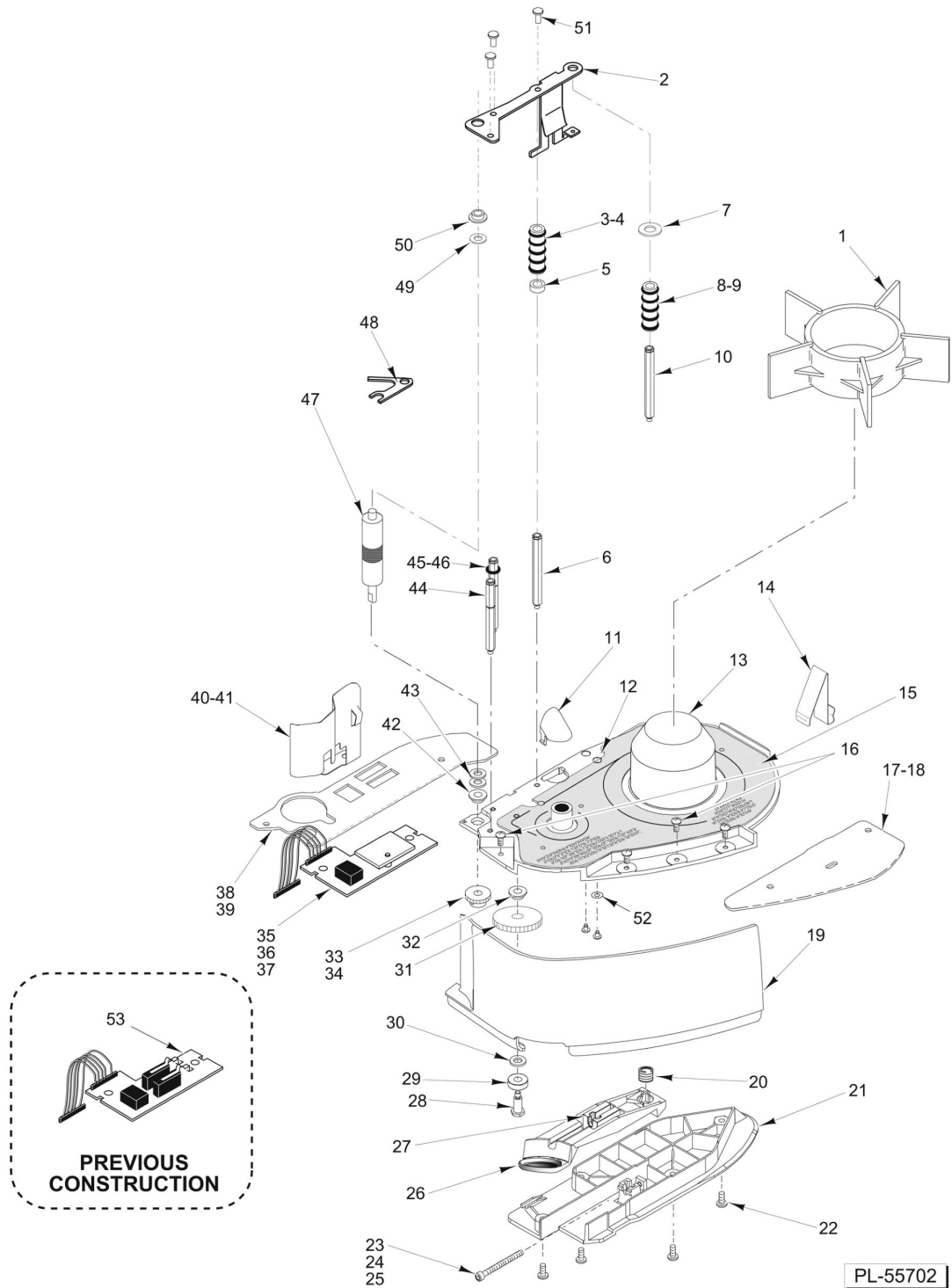
ILLUS.	PART NO.	NAME OF PART	AMT.
PL-60278			
1	00-047456	Plate - Cassette Locating (Upper).....	1
2	00-048489	Mach. Screw 8-32 x 3/8 Phil. Pan Hd.....	3
3	00-047392	Retaining Plate - Roller.....	1
4	00-043369	Guide - Label.....	2
5	00-043367	Reflector.....	1
6	00-444660	Take-Up Assy.....	1
7	00-043396	Needle Bearing.....	1
8	00-043351	Base - Cassette.....	1
9	00-443735	Spring - Cassette Eject.....	1
10	00-440635	Label - Threading Instructions.....	1
11	SA-021-39	Screw Assy. 8-32 x 3/8 Phil. Pan Hd.....	4
12	00-043343	Rail - Guide (RH).....	1
13	SD-015-40	Self-Tapping Screw 8-32 x 3/8 Phil. Pan Hd., Type TT.....	2
14	WS-019-13	Washer (Previous Construction).....	1
15	00-043259	Rivet - Snap (Nylon) (Previous Construction).....	1
16	00-043365	Bushing.....	1
17	00-443634-00001	Cover - Cassette Front (Gray).....	1
18	00-443634-00003	Cover - Cassette Front (Black).....	1
19	00-043362	Gear - Take-Up (Incls. Set Screw).....	1
20	00-043356	Spring - Cassette Latch.....	1
21	00-043355	Guide - Cassette.....	1
22	SD-015-40	Self-Tapping Screw 8-32 x 3/8 Phil. Pan Hd., Type TT.....	4
23	NS-008-25	Nut 8-32 Sq. Hd.....	1
24	00-441172	Cap Screw 8-32 x 1-3/4 Hex Socket Hd.....	1
25	00-043271	Washer - Wavy.....	1
26	00-043353	Latch - Cassette.....	1
27	00-043354	Pivot Block - Adjust.....	1
28	00-043363	Shaft - Idler.....	1
29	00-131761	Ball Bearing - Double-Shielded Radial.....	1
30	00-043269	Washer.....	1
31	00-032974	Gear - Idler (Incls. Item 32).....	1
32	00-043365	Bushing.....	1
33	00-043360	Gear - Roller (Incls. Set Screw).....	1
34	SC-018-34	Mach. Screw 8-32 x 1/2 Phil. Pan Hd.....	1
35	00-047457	Plate - Cassette Locating (Lower).....	1
36	00-446820	Kit - Media Hall Sensor (Incls. Item 52).....	1
37	00-044631	Insulator - Media Sensor Board.....	1
38	SD-015-40	Self-Tapping Screw 8-32 x 3/8 Phil. Pan Hd., Type TT.....	2
39	00-043270	Rail - Guide (LH).....	1
40	SD-015-40	Self-Tapping Screw 8-32 x 3/8 Phil. Pan Hd., Type TT.....	2
41	00-046479	Spring - Label Guide.....	1
42	SD-015-40	Self-Tapping Screw 8-32 x 3/8 Phil. Pan Hd., Type TT.....	1
43	00-047458	Bearing - Flange.....	1
44	00-043269	Washer.....	2
45	00-047455	Standoff.....	1
46	00-032914	Standoff.....	2
47	00-047506	Roller - Print.....	1
48	00-043269	Washer.....	1
49	00-043365	Bushing.....	1
50	00-043357	Peel Bar.....	1
51	00-043538	Board Assy. - Sensor (Previous Construction).....	1
52	00-446589	Magnet - Disc.....	1
53	00-446917	Mach. Screw 8-32 x 1/8 Phil. Pan Hd.....	1
54	00-044965	Key - Take-Up (Previous Construction).....	1
55	00-442988	Plate - Thrust (Bronze) (Previous Construction).....	2
56	00-442790	Washer - Special (Previous Construction).....	1
	00-043260	Cassette Assy. - Wide Label.....	1



**CASSETTE
(NARROW LABEL)**

**CASSETTE
(NARROW LABEL)**

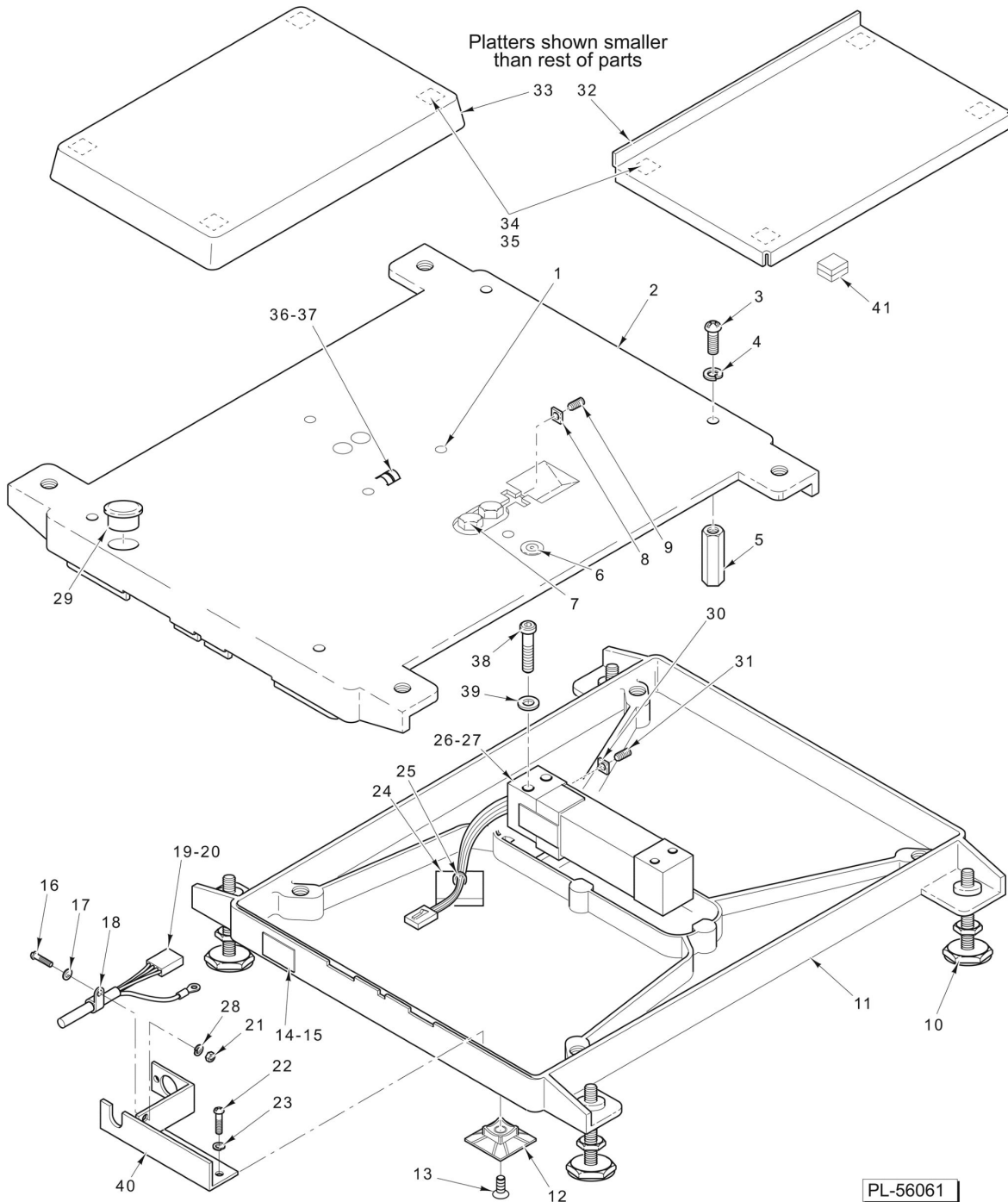
ILLUS. PL-60279	PART NO.	NAME OF PART	AMT.
1	00-047456	Plate - Cassette Locating (Upper).....	1
2	00-048489	Mach. Screw 8-32 x 3/8 Phil. Pan Hd.....	3
3	00-047392	Retaining Plate - Roller.....	1
4	00-043369	Guide - Label.....	2
5	00-032905	Spacer - Narrow Label.....	1
6	00-444660	Take-Up Assy.....	1
7	00-043396	Needle Bearing.....	1
8	00-043367	Reflector.....	1
9	00-043351	Base - Cassette.....	1
10	00-443735	Spring - Cassette Eject.....	1
11	00-440635	Label - Threading Instructions.....	1
12	SA-021-39	Screw Assy. 8-32 x 3/8 Phil. Pan Hd.....	4
13	SD-015-40	Self-Tapping Screw 8-32 x 3/8 Phil. Pan Hd., Type TT.....	2
14	00-043343	Rail - Guide (RH).....	1
15	00-043365	Bushing.....	1
16	WS-019-13	Washer (Previous Construction).....	1
17	00-043259	Rivet - Snap (Nylon) (Previous Construction).....	1
18	00-443634-00001	Cover - Cassette Front (Grey).....	1
19	00-443634-00003	Cover - Cassette Front (Black).....	1
20	00-043362	Gear - Take-Up (Incls. Set Screw).....	1
21	00-043356	Spring - Cassette Latch.....	1
22	00-043355	Guide - Cassette.....	1
23	SD-015-40	Self-Tapping Screw 8-32 x 3/8 Phil. Pan Hd., Type TT.....	4
24	NS-008-25	Nut 8-32 Sq. Hd.....	1
25	00-441172	Cap Screw 8-32 x 1-3/4 Hex Socket Hd.....	1
26	00-043271	Washer - Wavy.....	1
27	00-043353	Latch - Cassette.....	1
28	00-043354	Pivot Block - Adjust.....	1
29	00-043363	Shaft - Idler.....	1
30	00-131761	Ball Bearing - Double-Shielded Radial.....	1
31	00-043269	Washer.....	1
32	00-032974	Gear - Idler (Incls. Item 33).....	1
33	00-043365	Bushing.....	1
34	00-043360	Gear - Roller (Incls. Set Screw).....	1
35	SC-018-34	Mach. Screw 8-32 x 1/2 Phil. Pan Hd.....	1
36	00-047457	Plate - Cassette Locating (Lower).....	1
37	00-446820	Kit - Media Hall Sensor (Incls. Item 55).....	1
38	00-044631	Insulator - Media Sensor Board.....	1
39	SD-015-40	Self-Tapping Screw 8-32 x 3/8 Phil. Pan Hd., Type TT.....	2
40	00-043270	Rail - Guide (LH).....	1
41	SD-015-40	Self-Tapping Screw 8-32 x 3/8 Phil. Pan Hd., Type TT.....	2
42	00-046479	Spring - Label Guide.....	1
43	SD-015-40	Self-Tapping Screw 8-32 x 3/8 Phil. Pan Hd., Type TT.....	1
44	00-047458	Bearing - Flange.....	1
45	00-032930	Spacer - Narrow Roller Bottom.....	1
46	00-047505	Roller - Print.....	1
47	00-032915	Spacer - Narrow Roller.....	1
48	00-047504	Support - Roller.....	1
49	00-047455	Standoff.....	1
50	00-032914	Standoff.....	2
51	00-043269	Washer.....	1
52	00-043365	Bushing.....	1
53	00-043357	Peel Bar.....	1
54	00-043538	Board Assy. - Sensor (Previous Construction).....	1
55	00-446589	Magnet - Disc.....	1
56	00-446917	Mach. Screw 8-32 x 1/8 Phil. Pan Hd.....	1
57	00-044965	Key - Take-Up.....	1
58	00-442988	Plate - Thrust (Bronze).....	2
59	00-442790	Washer - Special.....	1
	00-447770	Cassette Assy. - Narrow Label.....	1



CASSETTE UNIT (LINERLESS)

CASSETTE UNIT (LINERLESS)

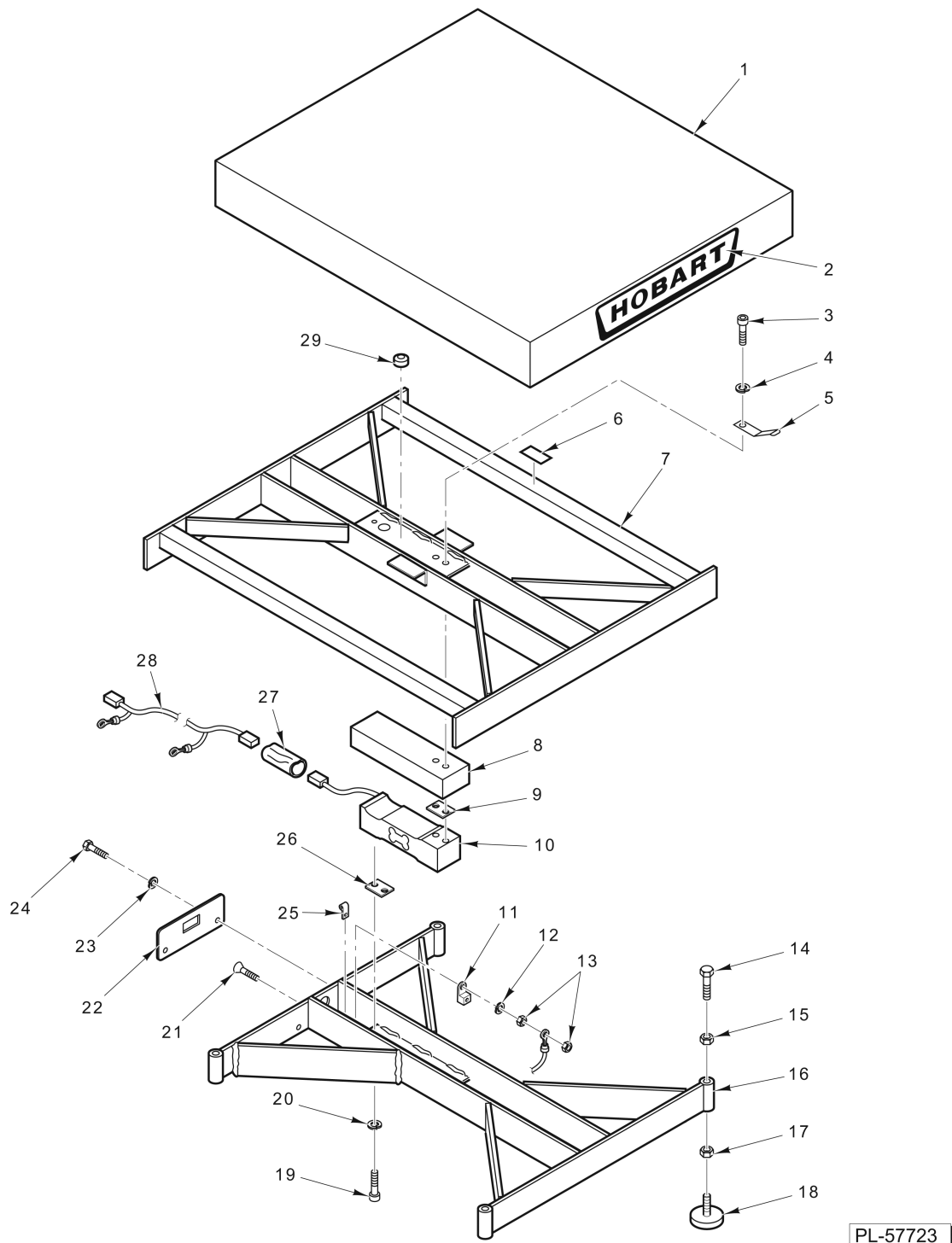
ILLUS. PL-55702	PART NO.	NAME OF PART	AMT.
1	00-044746	Support - Label Roll.....	1
2	00-048329	Retaining Plate - Roller.....	1
3	00-046096	O-Ring (Large).....	5
4	00-046097	Roller - Label Guide.....	1
5	00-046201	Spacer.....	1
6	00-032914	Standoff.....	1
7	00-044944	Washer.....	1
8	00-046097	Roller - Label Guide.....	1
9	00-046096	O-Ring (Large).....	5
10	00-044766	Shaft - Roller.....	1
11	00-043367	Reflector.....	1
12	00-043259	Rivet - Snap (Nylon).....	1
13	00-043351	Base - Cassette.....	1
14	00-443735	Spring - Cassette Eject.....	1
15	00-046094	Label -Threading Instruction.....	1
16	SA-021-39	Screw Assy. 8-32 x 3/8 Phil. Pan Hd.....	1
17	00-043343	Rail - Guide (RH).....	1
18	SD-015-40	Self-Tapping Screw 8-32 x 3/8 Phil. Pan Hd., Type TT.....	2
19	00-443634-00001	Fascia - Cassette (Gray).....	1
20	00-043356	Spring - Cassette Latch.....	1
21	00-043355	Guide - Cassette.....	1
22	SD-015-40	Self-Tapping Screw 8-32 x 3/8 Phil. Pan Hd., Type TT.....	4
23	00-441172	Cap Screw 8-32 x 1-3/4 Hex Socket Hd.....	1
24	00-043271	Washer - Wavy.....	1
25	NS-008-25	Nut 8-32 Sq. Hd.....	1
26	00-043353	Latch - Cassette.....	1
27	00-043354	Pivot Block - Adjust.....	1
28	00-043363	Shaft - Idler.....	1
29	00-131761	Ball Bearing - Double-Shielded Radial.....	1
30	00-043269	Washer.....	1
31	00-032974	Gear - Idler (Incls. Item 32).....	1
32	00-043365	Bushing.....	1
33	00-043360	Gear - Roller (Incls. Set Screw).....	1
34	SC-124-38	Set Screw 6-32 x 3/16 Hex Hdls. Cup Pt.....	1
35	00-446820	Kit - Media Hall Sensor.....	1
36	00-044631	Insulator - Media Sensor Board.....	1
37	SD-015-40	Self-Tapping Screw 8-32 x 3/8 Phil. Pan Hd., Type TT.....	2
38	00-043270	Rail - Guide (LH).....	1
39	SD-015-40	Self-Tapping Screw 8-32 x 3/8 Phil. Pan Hd., Type TT.....	2
40	00-046479	Spring - Label Guide.....	1
41	SD-015-40	Self-Tapping Screw 8-32 x 3/8 Phil. Pan Hd., Type TT.....	1
42	00-047458	Bearing - Flange.....	1
43	00-043269	Washer.....	2
44	00-047455	Standoff.....	1
45	00-032914	Standoff.....	1
46	00-048484	O-Ring (Small).....	3
47	00-049333	Roller - Print.....	1
48	00-046476	Deflector - Label.....	1
49	00-043269	Washer.....	1
50	00-043365	Bushing.....	1
51	00-048489	Mach. Screw 8-32 x 3/8 Phil. Pan Hd.....	3
52	WS-019-13	Washer.....	2
53	00-043538	Board Assy. - Sensor.....	1



SCALE UNIT

SCALE UNIT

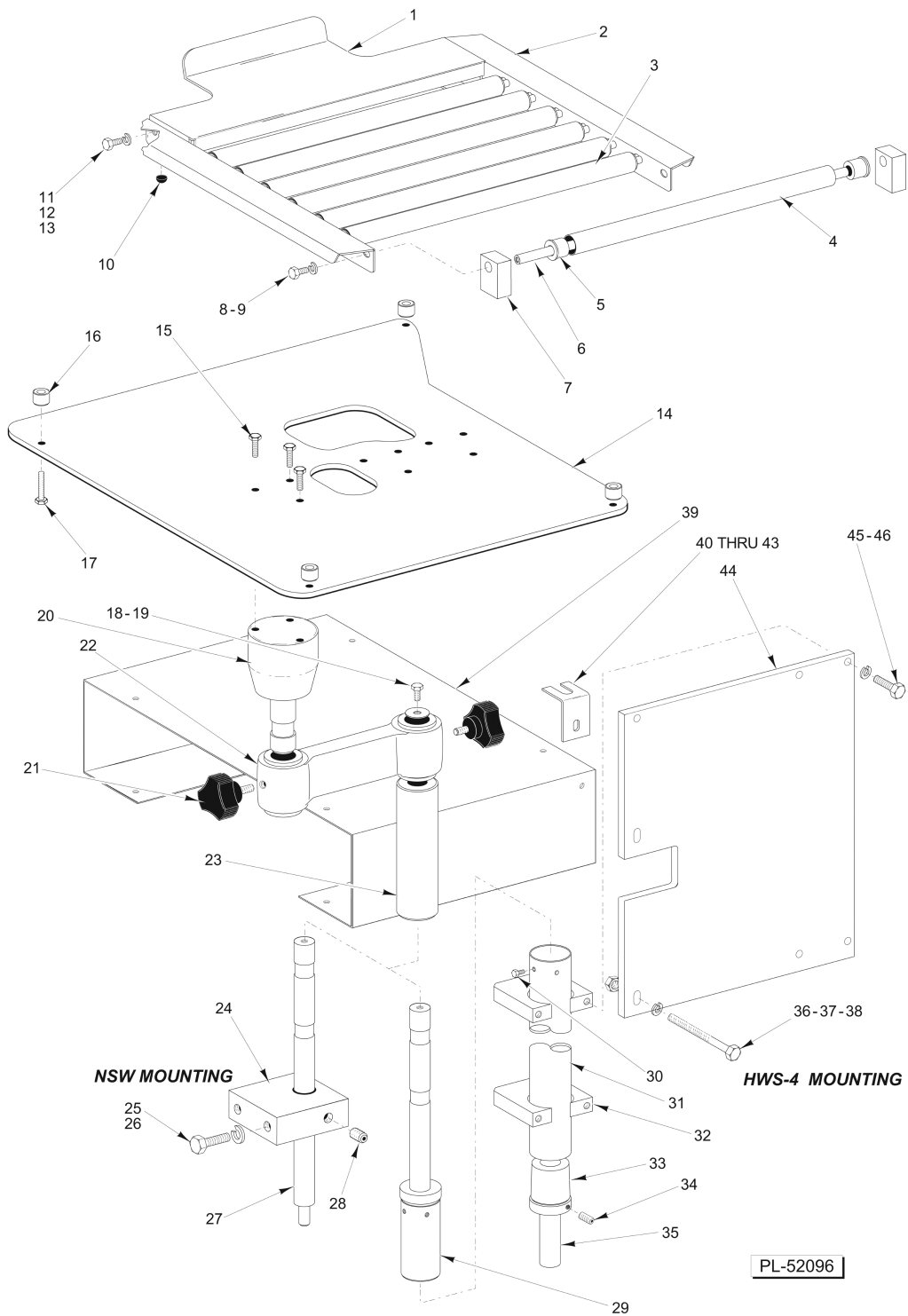
ILLUS.	PART NO.	NAME OF PART	AMT.
PL-56061			
1	SC-123-20	Set Screw 10-32 x 3/8 Hex Hdls., Socket Hd.....	2
2	00-041559	Support - Platter.....	1
3	SC-113-08	Mach. Screw 10-32 x 1/2 Phil. Pan Hd.....	4
4	WL-004-40	Lockwasher #10 Helical.....	4
5	00-441780	Stop - Loadcell.....	4
6	00-043112	Level - Spirit.....	1
7	SC-110-12	Cap Screw 1/4-20 x 5/8 Hex Hd.....	2
8	NS-046-58	Nut 10-32 Square.....	1
9	SC-123-20	Set Screw 10-32 x 3/8 Hex Hdls., Socket Hd.....	1
10	00-093160	Foot - Leveling Screw.....	4
11	00-042604	Base Assy.....	1
12	00-446051	Holder - Tie-Down.....	1
13	SC-022-07	Mach. Screw 8-32 x 1/2 Slotted Flat Hd. (SST).....	1
14	00-442984	Label - Capacity (ML-29227).....	1
15	00-442475	Label - Capacity (ML-29256).....	1
16	SC-018-31	Mach. Screw 8-32 x 3/8 Phil. Pan Hd.....	1
17	WS-019-41	Washer (SST).....	1
18	00-253363	Clamp.....	1
19	00-183634	Cable - Scale.....	1
20	00-441656	Cable - Scale (30 kg) (Square Molex) (ML-29227).....	1
21	NS-009-12	Nut 8-32 Hex.....	1
22	SC-018-31	Mach. Screw 8-32 x 3/8 Phil. Pan Hd.....	2
23	WL-003-12	Lockwasher #8 Helical.....	2
24	00-255503	Mount - Cable Tie.....	1
25	00-251199	Tie - Cable (4 In. Long).....	1
26	00-443075	Load Cell - Multiple Range (15 kg) (ML-29256).....	1
27	00-044899	Load Cell - Multiple Range (30 kg) (ML-29227) (White Molex Connector).....	1
28	WL-003-12	Lockwasher #8 Helical.....	1
29	00-041562	Plug - Transparent (1/2).....	1
30	NS-046-58	Nut 10-32 Square.....	1
31	SC-123-20	Set Screw 10-32 x 3/8 Hex Hdls., Socket Hd.....	1
32	00-043813	Platter.....	1
33	00-043812	Platter.....	1
34	00-258959	Fastener - Dual Lock (Fine).....	4
35	00-258958	Fastener - Dual Lock (Coarse).....	4
36	00-184929	Contact - Compression Spring (Qty. of 8).....	AR
37	00-259515	Contact - Compression Spring (Qty. of 64).....	AR
38	SC-120-70	Cap Screw 1/4-20 x 1-5/8 Hex Socket Hd.....	2
39	WL-003-39	Lockwasher 1/4 Light.....	2
40	00-441657	Clamp - Cable.....	1
41	00-259185	Pad - Platter.....	4
	00-255502	Tie - Cable Locking.....	AR



300 LB SCALE

300 LB SCALE

ILLUS.	PART NO.	NAME OF PART	AMT.
PL-57723			
1	00-443470-00013	Tray - Commodity.....	1
2	00-443074	Logo - Hobart.....	1
3	00-443470-00006	Cap Screw M10 x 1.5 x 25mm Hex Socket Hd.....	2
4	00-443470-00023	Lockwasher M10 Helical.....	2
5	00-443470-00025	Spring - Grounding.....	1
6	00-443470-00019	Gasket - Foam.....	AR
7	00-443470-00001	Bridge - Weigh.....	1
8	00-443470-00024	Cover - Load Cell.....	1
9	00-443470-00004	Spacer - Load Cell.....	1
10	00-443470-00003	Load Cell Assy.....	1
11	00-443470-00009	Lug - Ground.....	1
12	00-443470-00011	Lockwasher #11 Helical.....	1
13	00-443470-00015	Nut 10-32 Hex.....	2
14	00-443470-00008	Bolt 3/8-16 x 1-1/2 Lg.....	4
15	00-443470-00007	Jam Nut 3/8-16 Hex.....	4
16	00-443470-00002	Base.....	1
17	00-443470-00007	Jam Nut 3/8-16 Hex.....	4
18	00-443470-00005	Foot - Adjustable.....	4
19	00-443470-00006	Cap Screw M10 x 1.5 x 25mm Hex Socket Hd.....	2
20	00-443470-00023	Lockwasher M10 Helical.....	2
21	00-443470-00010	Cap Screw 10-32 x 1 Slotted Flat Hd.....	1
22	00-443470-00020	Guard - Splash.....	1
23	00-443470-00021	Lockwasher 1/4 Helical.....	2
24	00-443470-00022	Bolt 1/4-20 x 3/4 Hex Hd.....	2
25	00-253363	Clamp.....	1
26	00-443470-00004	Spacer - Load Cell.....	1
27	00-440158-00003	Boot.....	1
28	00-183634	Cable - Scale.....	1
29	00-443470-00016	Level - Bubble.....	1



PLATFORM UNIT

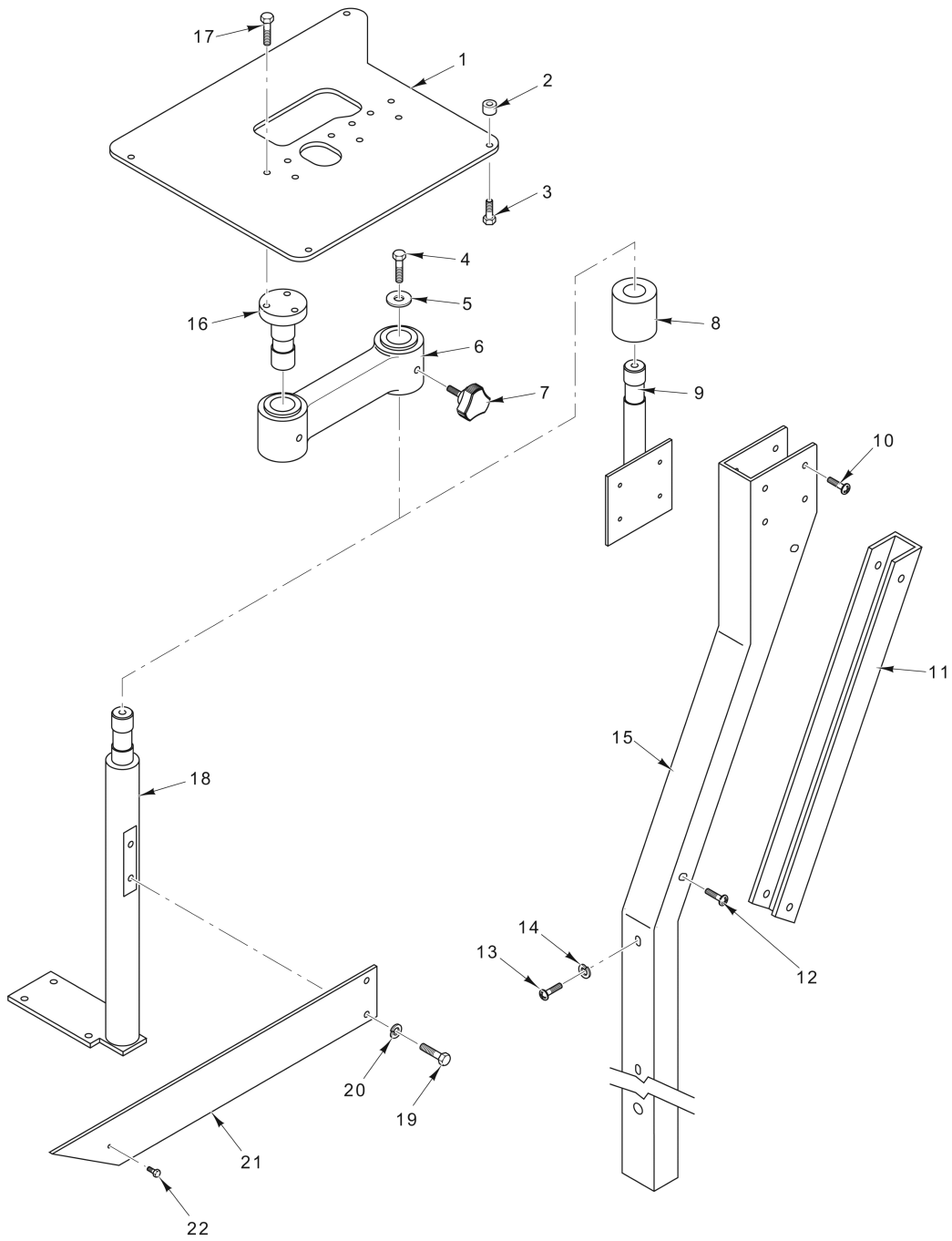
PLATFORM UNIT

ILLUS.	PART NO.	NAME OF PART	AMT.
1	00-175928	Bracket - Platform Stop.....	1
2	00-175926	Frame - Platform.....	2
3	00-445040	Roller Assy.....	6
4	00-175927	Tube - Roller.....	1
5	00-175924	Bushing.....	2
6	00-175925	Shaft - Platform.....	1
7	00-175923	Pivot - Platform Support.....	2
8	SC-118-20	Cap Screw 1/4-20 x 1/2 Hex Hd.....	2
9	WL-003-38	Lockwasher 1/4 Helical.....	2
10	00-254206	Foot.....	2
11	SC-118-20	Cap Screw 1/4-20 x 1/2 Hex Hd.....	4
12	WL-003-38	Lockwasher 1/4 Helical.....	4
13	NS-013-02	Nut 1/4-20 Hex.....	4
14	00-044821	Plate - Printer Mount.....	1
15	SC-121-61	Mach. Screw 1/4-20 X 5/8 Hex Washer Hd. "Whiz-Lock".....	3
16	00-445471	Spacer - Printer Mounting.....	4
17	SC-121-62	Mach. Screw 1/4-20 x 1 Hex Washer Hd., Whiz-Lock.....	4
18	SC-100-08	Mach. Screw 1/4-20 x 3/8 Hex Washer Hd.....	1
19	WS-003-45	Washer.....	1
20	00-044829	Pivot Assy. - Printer.....	1
21	00-183538	Knob - Film Centering.....	2
22	00-440631	Arm - Printer Pivot.....	1
23	00-043757	Spacer - Pivot Arm.....	1
*24	00-175891	Block - Printer Pivot.....	1
*25	SC-118-11	Cap Screw 3/8-16 x 7/8 Hex Hd.....	2
*26	WL-004-06	Lockwasher 3/8 Helical.....	2
*27	00-049406	Shaft.....	1
*28	SC-047-41	Set Screw 3/8-16 x 3/8 Hex Hdls., Cup Pt.....	1
**29	00-043449	Post - Printer Pivot Support.....	1
**30	SC-116-95	Mach. Screw 8-32 X 3/8 Hex Hd.....	3
**31	00-043433	Column.....	1
**32	00-254866	Block - Post.....	2
**33	00-043652	Bushing - Leg.....	1
**34	SC-047-72	Set Screw 1/4-20 x 3/8 Hex Hdls., Cup Pt.....	2
**35	00-043653	Leg.....	1
**36	SC-118-57	Cap Screw 1/4-20 x 2-1/2 Hex Hd.....	2
**37	WL-003-38	Lockwasher 1/4 Helical.....	2
**38	NS-013-02	Nut 1/4-20 Hex.....	2
**39	00-048831	Bracket - Scale Mounting.....	1
**40	00-183648	Clamp.....	2
**41	SC-008-10	Mach. Screw 10-24 x 1/2 Slotted Rd. Hd.....	6
**42	WL-008-13	Lockwasher #10 Internal Shakeproof.....	6
**43	NS-009-22	Nut 10-24 Hex.....	6
**44	00-043651	Plate - Post Mounting.....	1
**45	SC-118-19	Cap Screw 1/4-20 x 3/4 Hex Hd.....	4
**46	WL-003-38	Lockwasher 1/4 Helical.....	4
	00-183915	Platform Assy. (Incls. Items 1 thru 13).....	1

* (NSW Mounting)
 ** (HWS-4 Wrap Station Mounting)

SUPPORT UNIT

ILLUS.	PART NO.	NAME OF PART	AMT.
PL-55706			
1	00-440668	Detent - Lower.....	1
2	SC-119-95	Mach. Screw 10-24 x 1/2 Phil. Flat Hd.....	4
3	00-440667	Detent - Support.....	1
4	RR-006-21	Retaining Ring.....	4
5	00-041488	Bearing (Nyliner).....	8
6	00-440185	Cap - Upper Tube.....	1
7	00-440252	Tube - Lower Hanger.....	1
8	00-440253	Shaft - Lower Tube.....	1
9	00-440160	Support - Tubing.....	1
10	00-440933	Plug - Tube.....	1
11	SC-053-42	Mach. Screw 1/4-20 x 5/8 Slotted Truss Hd. (SST).....	4
12	00-440161	Strap - Support Tube.....	1
13	00-440678	Base Plate.....	1
14	SC-053-42	Mach. Screw 1/4-20 x 5/8 Slotted Truss Hd. (SST).....	4
15	00-440188	Gasket - Spacer.....	4
16	00-445273-00001	Gasket - Base.....	1
17	00-440705	Cord Assy. - Power.....	1
18	00-440184	Cap - Support Tube.....	1
19	00-440257	Shaft - Upper Tube.....	1
20	00-440256	Tube Assy. - Upper.....	1
21	SC-123-76	Mach. Screw 10-24 x 1/2 Phil. Pan Hd.....	1
22	WL-014-07	Lockwasher #10 External Shakeproof (SST).....	1
23	00-030695	Clip.....	1
24	SC-120-70	Cap Screw 1/4-20 x 1-5/8 Hex Socket Hd.....	1
25	WL-006-17	Lockwasher 1/4 Helical (SST).....	1
26	WS-022-01	Washer.....	1
27	00-440135	Ball - Pivot.....	1
28	00-440194	O-Ring.....	1
29	00-440186	Spacer - Ball Pivot.....	1
30	00-440187	Spacer.....	1
31	NS-009-12	Nut 8-32 Hex.....	1
32	SC-110-42	Set Screw 8-32 x 1/2 Slotted Hdls., Cup Pt.....	1
33	00-043286	Screw - Overload.....	1
34	00-440094	Platter - Support (ML-29188 & ML-29265).....	1

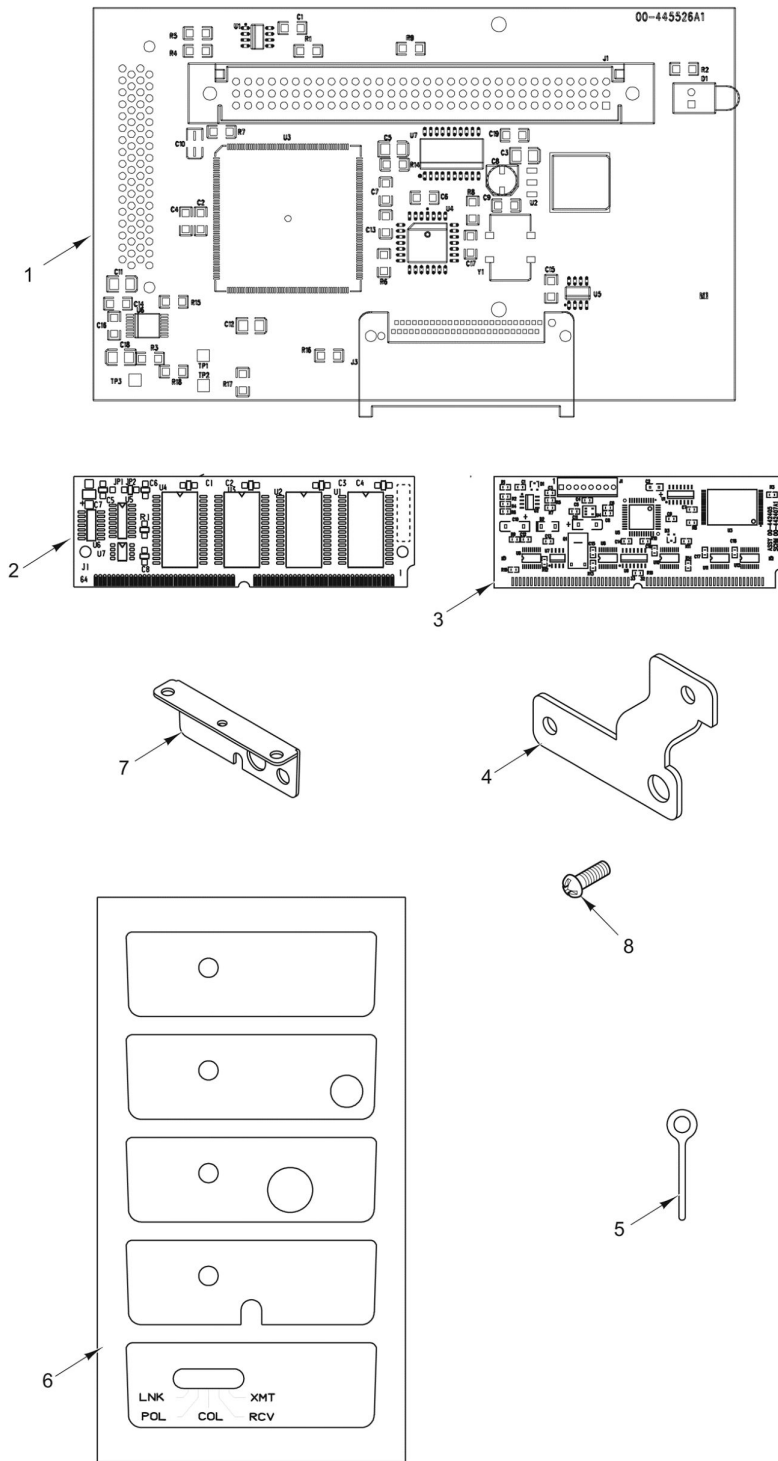


PL-55854

HOT CASE KIT

HOT CASE KIT

ILLUS.	PART NO.	NAME OF PART	AMT.
PL-55854			
1	00-044821	Plate - Printer Mount.....	1
2	00-445471	Spacer - Printer Mounting.....	4
3	SC-121-62	Mach. Screw 1/4-20 x 1 Hex Washer Hd., Whiz-Lock.....	4
4	SC-100-08	Mach. Screw 1/4-20 x 3/8 Hex Washer Hd.....	1
5	WS-003-45	Washer.....	1
6	00-440631	Arm - Printer Pivot.....	1
7	00-183538	Knob.....	2
8	00-440513	Spacer - Pivot Arm.....	1
9	00-440512	Block - Pivot.....	1
10	SC-113-52	Mach. Screw 10-24 x 1/2 Phil. Truss Hd.....	4
11	00-440514	Channel - Mounting.....	1
12	SC-113-52	Mach. Screw 10-24 x 1/2 Phil. Truss Hd.....	10
13	SC-111-29	Mach. Screw 10-24 x 1-1/2 Phil. Pan Hd.....	2
14	WL-006-07	Lockwasher #10 Helical (SST).....	2
15	00-440511	Post.....	1
16	00-440629	Hub - Plate Mounting.....	1
17	SC-121-61	Mach. Screw 1/4-20 X 5/8 Hex Washer Hd. "Whiz-Lock".....	3
18	00-442833	Shaft Assy. - Post Mount.....	1
19	SC-041-55	Cap Screw 5/16-20 x 3/4 Hex Hd. (SST).....	6
20	WL-006-22	Lockwasher 5/16 Light.....	6
21	00-442829	Brace - Post Mount.....	1
22	SD-034-21	Self-Tapping Screw 10-16 x 1/2 Hex Washer Hd., Type AB.....	1
	00-442832	Kit - Post Mount (Incls. Items 1 thru 7 & 16 thru 22).....	1

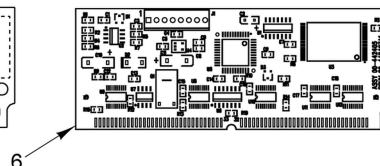
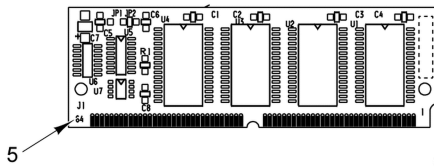
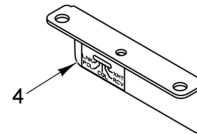
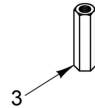
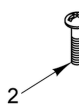
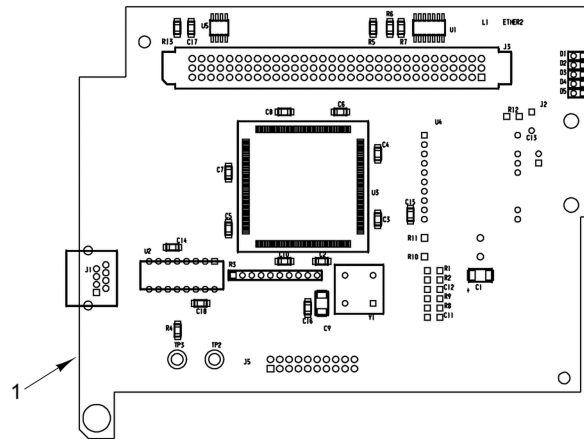


PL-55852

TCP/IP WIRELESS COMMUNICATION KIT

TCP/IP WIRELESS COMMUNICATION KIT

ILLUS.	PART NO.	NAME OF PART	AMT.
1	00-445525	Board Assy. (PD6722 Adapter).....	1
	00-441686	Card - Cisco 352.....	AR
	00-444560	Card - Wireless Symbol LA4137.....	AR
2	00-042358	Board Assy. (2MB PSRAM).....	1
3	00-442490-00034	Board Assy. (2MB EPROM).....	1
4	00-445016	Bracket Assy. - Board Support.....	1
5	00-440950	Terminal.....	2
6	00-440685	Label - Wireless.....	1
7	00-440671	Bracket - Wireless.....	1
8	SC-018-77	Mach. Screw 6-32 x 5/16 Phil. Pan Hd.....	1
	00-442519	Shield.....	1
	00-442527	Standoff.....	1
	00-012851	Washer - Fiber.....	1



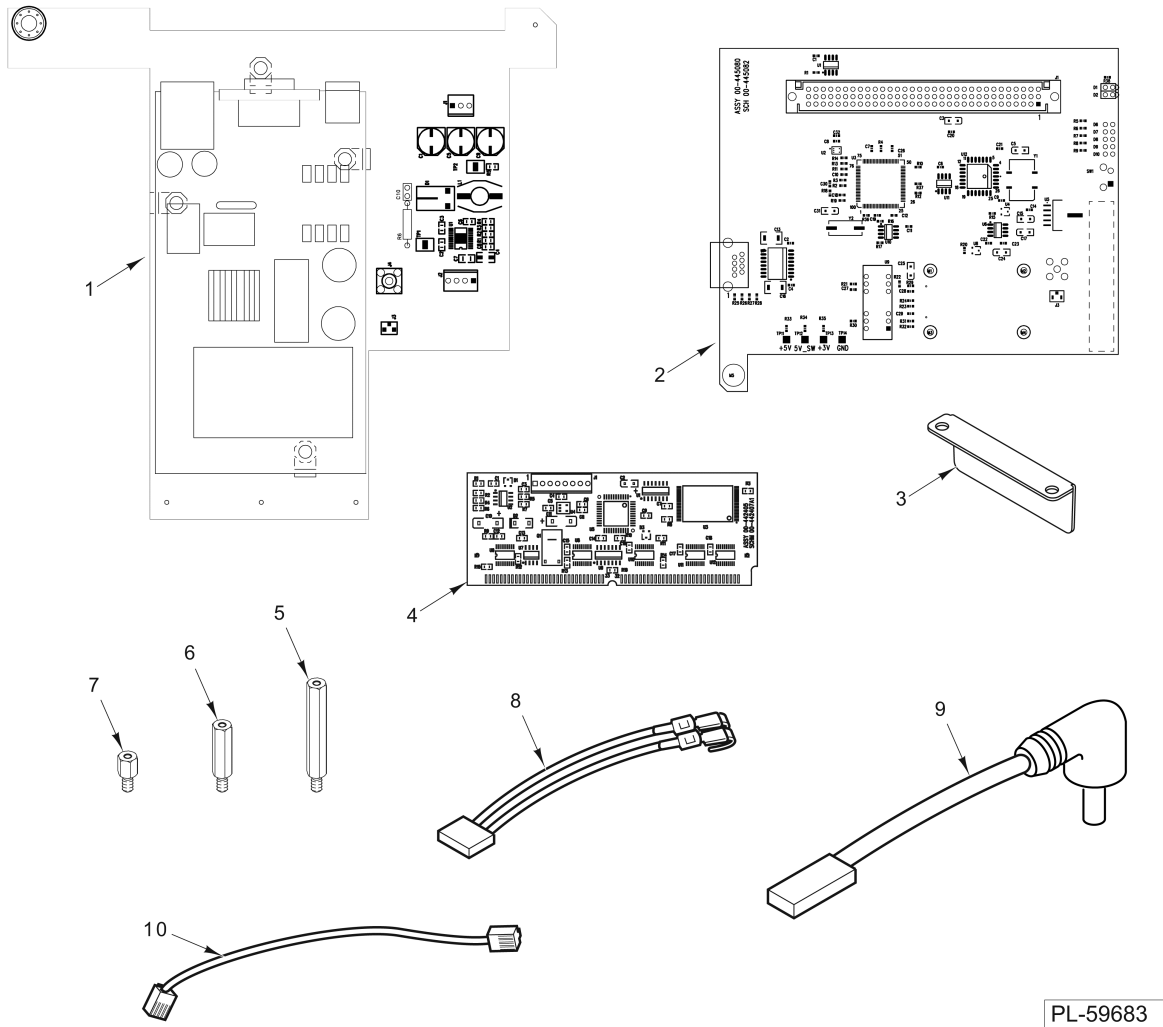
7 00-913130 Kit - Ethernet Board & Program
PART NOT ILLUSTRATED

PL-55853

TCP/IP WIRED COMMUNICATION KIT

TCP/IP WIRED COMMUNICATION KIT

ILLUS.	PART NO.	NAME OF PART	AMT.
1	00-445310	Board Assy. (CS8900 Ethernet) Use Item 7 For Firmware Release Before 6.82	1
2	SC-111-26	Mach. Screw 8-32 x 1 Phil. Pan Hd.....	1
3	00-049813	Spacer.....	1
4	00-445339	Bracket - Ethernet.....	1
5	00-042358	Board Assy. (2MB PSRAM).....	1
6	00-442490-00034	Board Assy.....	1
7	00-913130	Kit - Ethernet Board & Program (Incls. Items 1 & 6) Use For Firmware Release Before 6.82.....	1

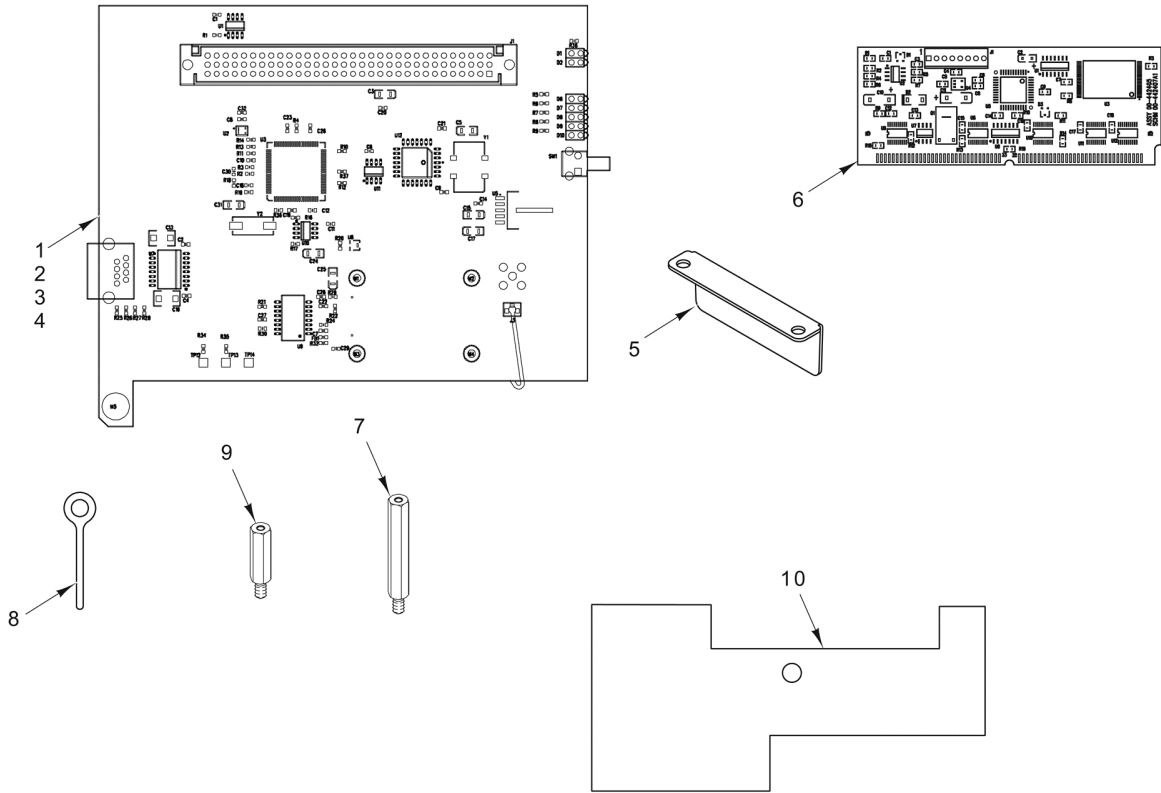


PL-59683

QUANTUM 3COM BRIDGE KIT

QUANTUM 3COM BRIDGE KIT

ILLUS.	PART NO.	NAME OF PART	AMT.
PL-59683			
1	00-445175	Board Assy. (3COM Interface).....	1
2	00-445310	Board Assy. (CS8900 Ethernet).....	1
3	00-445339	Bracket - Ethernet.....	1
4	00-442490-00034	Board Assy.....	1
5	00-444853-00004	Standoff (Long).....	1
6	00-444853-00001	Standoff (Medium).....	1
7	00-443847	Standoff (Short).....	1
8	00-445216	Harness - Power.....	1
9	00-445218	3COM Power Cable.....	1
10	00-444742	Cable - Network (CAT5E 1 Ft.).....	1
	00-445388	Label - Wireless Bridge.....	1
	SC-122-59	Mach. Screw 8-32 x 1/4 Phil. Pan Hd. (SST).....	2



PL-59684

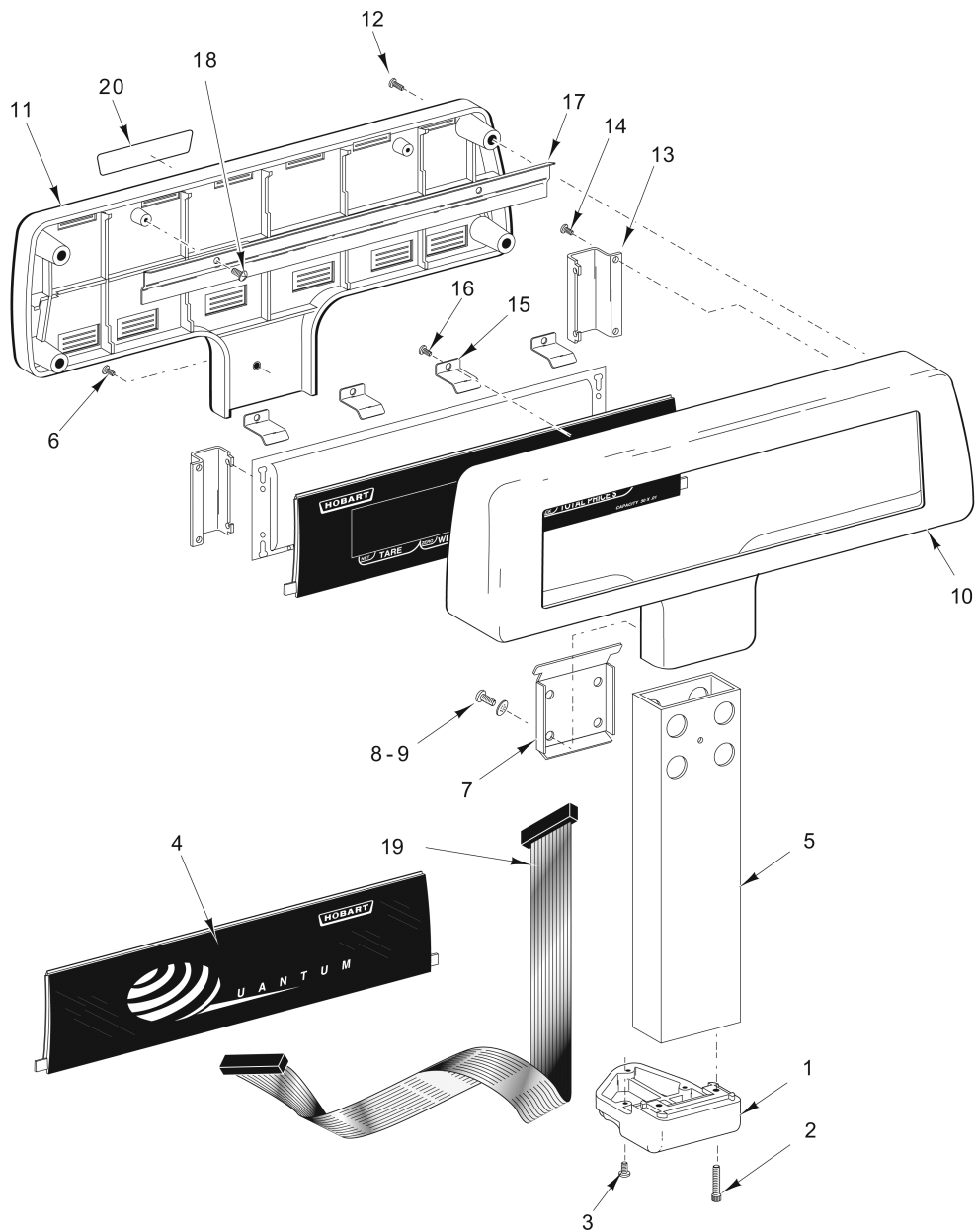
QUANTUM DPAC2 BRIDGE KIT

QUANTUM DPAC2 BRIDGE KIT

ILLUS.	PART NO.	NAME OF PART	AMT.
PL-59684	1	00-446556-00001 Board Assy. (DPAC2).....	1
		00-913097 Kit, DPAC2 Programing Tool.....	1
	2	00-446556-00002 Board Assy. (Programmed, BJ's).....	1
	3	00-446556-00003 Board Assy. (Programmed, Hy Vee).....	1
	4	00-446556-00004 Board Assy. (Programmed, Food Lion).....	1
	5	00-445339 Bracket - Ethernet.....	1
	6	00-442490-00034 Board Assy.....	1
	7	00-444853-00001 Standoff.....	1
	8	00-440950 Terminal.....	1
	9	00-442527 Standoff.....	1
10	00-442519 Shield - Wire.....	1	
	00-445348 Label - Client Bridge.....	1	
	00-012851 Washer - Fiber.....	1	
	SC-122-59 Mach. Screw 8-32 x 1/4 Phil. Pan Hd. (SST).....	2	

QUANTUM CB3000 BRIDGE KIT

ILLUS.	PART NO.	NAME OF PART	AMT.
PL-59685			
1	00-445320	Board Assy. (Symbol Power Supply).....	1
2	00-444876-00001	Board - Symbol Bridge.....	1
3	00-445310	Board Assy. (CS8900 Ethernet).....	1
4	00-442490-00034	Board Assy.....	1
5	00-445339	Bracket - Ethernet.....	1
6	00-445642	Cable - Symbol Power.....	1
7	00-444876-00002	Antenna.....	1
8	SC-129-40	Mach. Screw 4-40 x 1/4 Phil. Pan Hd.....	4
9	00-445643-00003	Standoff (Long).....	2
10	00-445643-00002	Standoff (Medium).....	1
11	00-445643-00001	Standoff (Short).....	1
12	00-445641	Harness - Power.....	1
13	00-444742	Cable - Network (CAT5E 1 Ft.).....	1
	SC-122-59	Mach. Screw 8-32 x 1/4 Phil. Pan Hd. (SST).....	3
	00-440425	Bumper - Foot.....	1
	00-445069	Label - Client Bridge.....	1
	00-445655	Label - MAC Address.....	1

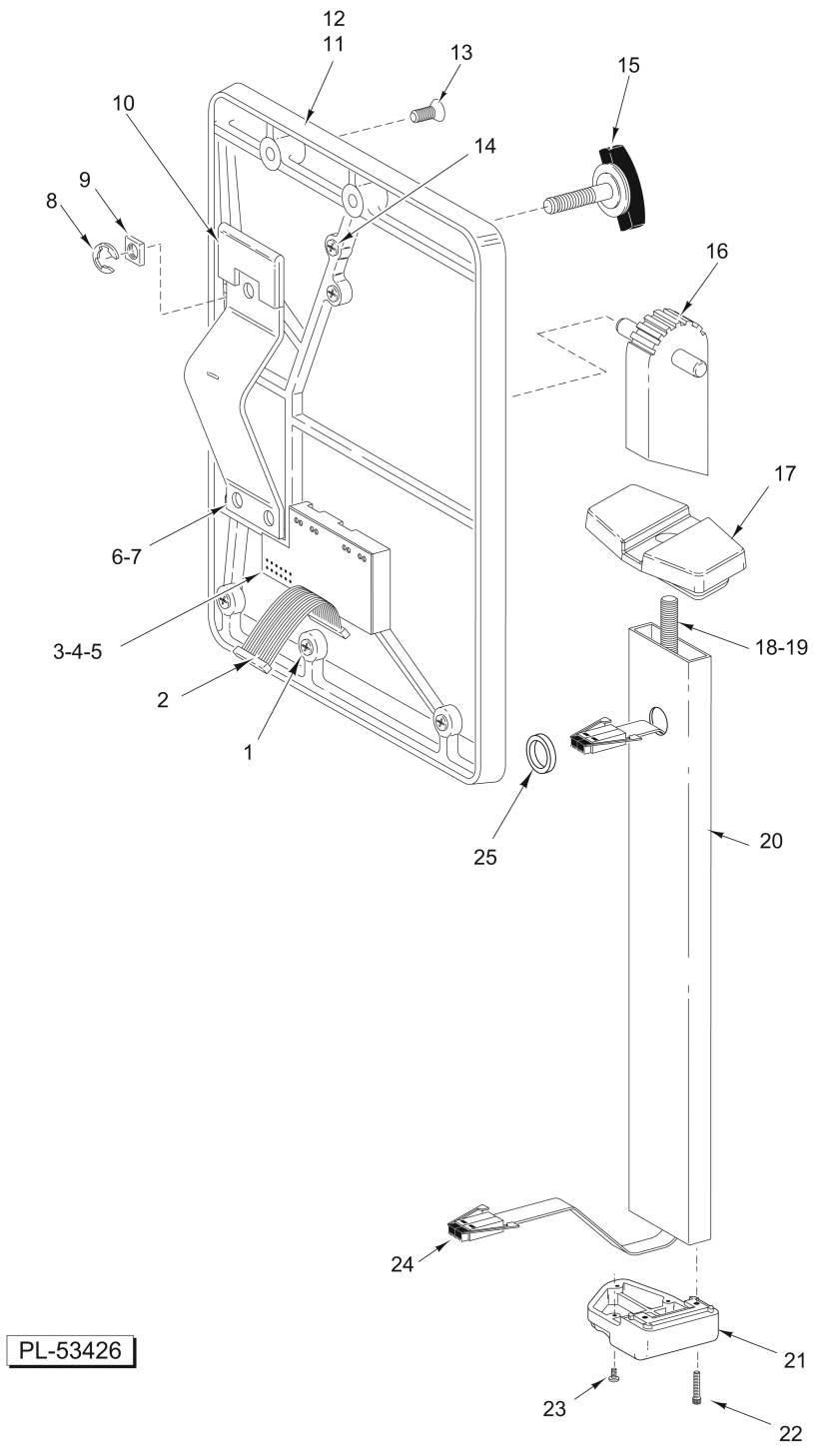


PL-52071

ELEVATED DISPLAY

ELEVATED DISPLAY

ILLUS.	PART NO.	NAME OF PART	AMT.
PL-52071			
1	00-445259-00001	Support - Elevated Display (Gray).....	1
2	SC-059-15	Cap Screw 10-24 x 1 Hex Socket Hd.....	2
3	SD-015-41	Self-Tapping Screw 8-32 x 1/2 Phil. Pan Hd., Type TT.....	3
4	00-044857	Panel Assy. (Rear).....	1
5	00-043329	Post Assy. (Display).....	1
6	SC-066-01	Mach. Screw 6-32 x 1/4 Phil. Truss Hd.....	1
7	00-043397	Bracket - Clamp.....	1
8	SC-093-23	Mach. Screw 10-24 x 3/8 Phil. Pan Hd.....	4
9	WL-013-11	Lockwasher #10 Internal Shakeproof.....	4
10	00-445260-00001	Housing - Front Elevated Display (Gray).....	1
11	00-445261-00001	Housing - Rear Elevated Display (Gray).....	1
12	SD-037-72	Self-Tapping Screw 6-19 x 1/2 Phil. Pan Hd.....	4
13	00-043399	Bracket - VF Mount (Elevated Display).....	2
14	SD-037-71	Self-Tapping Screw 6-19 x 5/16 Phil. Pan Hd.....	4
15	00-043398	Bracket - Filter (Elevated Display).....	4
16	SD-037-71	Self-Tapping Screw 6-19 x 5/16 Phil. Pan Hd.....	4
17	00-043258	Baffle - Elevated Display.....	1
18	SD-037-71	Self-Tapping Screw 6-19 x 5/16 Phil. Pan Hd.....	2
19	00-043617	Cable - VFD 20 Pos. (30 In.).....	1
20	00-117863-00003	Logo.....	1
	00-043320	Display Assy. - Elevated.....	1



PL-53426

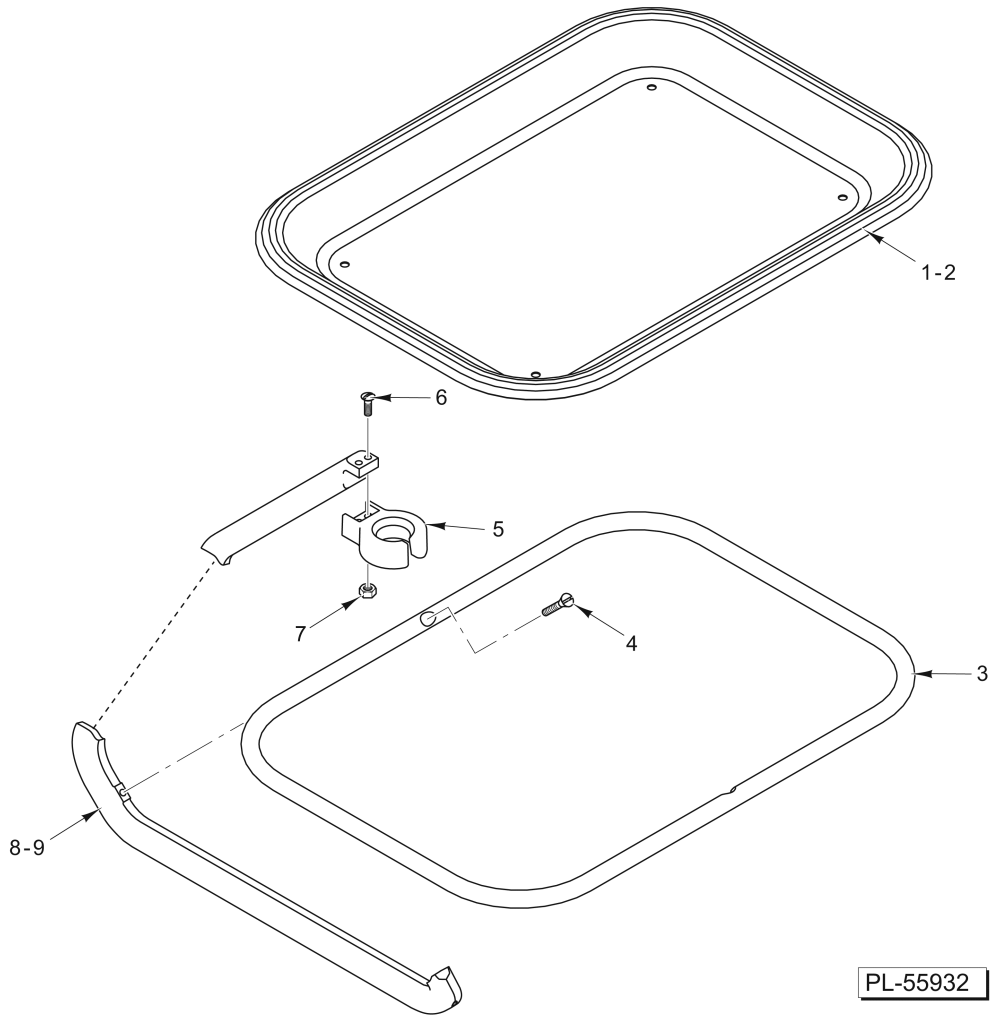
REMOTE CONSOLE UNIT

REMOTE CONSOLE UNIT

ILLUS. PL-53426	PART NO.	NAME OF PART	AMT.
1	SD-015-40	Self-Tapping Screw 8-32 x 3/8 Phil. Pan Hd., Type TT.....	6
2	00-042218	Cable Assy. (Network Adapter).....	1
3	00-042345	Board Assy. (Con Mod. Network Adapter).....	1
4	00-041663	Bracket - Nut.....	1
5	SC-113-10	Mach. Screw 4-40 x 3/8 Phil. Pan Hd.....	4
6	SC-018-22	Mach. Screw 10-24 x 1/2 Phil. Pan Hd.....	2
7	00-044026	Spacer.....	2
8	RR-011-83	Retaining Ring.....	1
9	NS-008-07	Mach. Nut 1/4-20 Square.....	1
10	00-041618	Clamp.....	1
11	00-044084	Base - Control Panel.....	1
12	00-440442	Plug.....	2
13	SC-020-23	Mach. Screw 10-24 x 3/8 Phil. Flat Hd.....	2
14	SD-015-40	Self-Tapping Screw 8-32 x 3/8 Phil. Pan Hd., Type TT.....	2
15	00-041950	Knob Assy.....	1
16	00-041621	Pivot - Remote Keyboard.....	1
17	00-440029	Cap - Post.....	1
18	SC-092-31	Cap Screw 1/4-20 x 1-1/2 Soc. Fil. Hd.....	1
19	WL-003-38	Lockwasher 1/4 Helical.....	1
20	00-440020	Post Assy. - Weldment.....	1
21	00-440023	Support - Elevated Display.....	1
22	SC-059-15	Cap Screw 10-24 x 1 Hex Socket Hd.....	2
23	SD-015-40	Self-Tapping Screw 8-32 x 3/8 Phil. Pan Hd., Type TT.....	2
24	00-042070-00014	Cable Assy. 8 Position SDL (48 In.).....	1
25	FE-021-24	Bushing - Electrical Snap.....	1

CONSOLE WITH SPEED KEYS

ILLUS.	PART NO.	NAME OF PART	AMT.
PL-53425			
1	00-440025	Panel - Control (Keypad).....	1
2		Plate - Window Filler.....	1
3	SD-037-72	Self-Tapping Screw 6-19 x 1/2 Phil. Pan Hd.....	2
4	00-041628	Bracket Assy. - Latch.....	1
5	SD-015-40	Self-Tapping Screw 8-32 x 3/8 Phil. Pan Hd., Type TT.....	2
6	SD-033-64	Self-Tapping Screw Special 4-20 x 1/2 Phil. Pan Hd., Plastite.....	4
7	00-440420	Window - Marnot (Large).....	1
8	00-440182	Keypad - 30 Speed key.....	1
9	00-042308	Board Assy. - Console Control.....	1
10	00-440490	Prom - Programmed.....	1
11	WL-008-01	Lockwasher #6 Internal Shakeproof.....	4
12	SC-018-77	Mach. Screw 6-32 x 5/16 Phil. Pan Hd.....	4
13	00-042654	Shield - Grounding.....	1
14	00-042658	Clip - Grounding.....	3
15	00-041619	Hinge.....	1
16	SD-037-72	Self-Tapping Screw 6-19 x 1/2 Phil. Pan Hd.....	4
17	00-440419	Window - Marnot (Small).....	1
18	00-440024	Bezel - Keypad.....	1



PAN AND ARM

PAN AND ARM

ILLUS.	PART NO.	NAME OF PART	AMT.
PL-55932			
1	00-440051	Pan (2-In. Deep).....	1
2	00-440052	Pan (1-In. Deep) (Shown).....	1
3	00-440110	Ring - Pan Support.....	1
4	SC-015-36	Mach. Screw 10-24 x 5/8 Slotted Oval Hd.....	2
5	00-440114	Cup - Swivel.....	1
6	SC-015-36	Mach. Screw 10-24 x 5/8 Slotted Oval Hd.....	2
7	NS-011-18	Nut 10-24 Hex (SST).....	2
8	00-440673	Arm Assy. - Pan (10 In.) (Incls. Items 3 thru 7).....	1
9	00-440107	Arm - Support (15 In.).....	1
	00-440674	Arm Assy. - Pan (15 In.) (Incls. Items 3 thru 7 & 9).....	1

