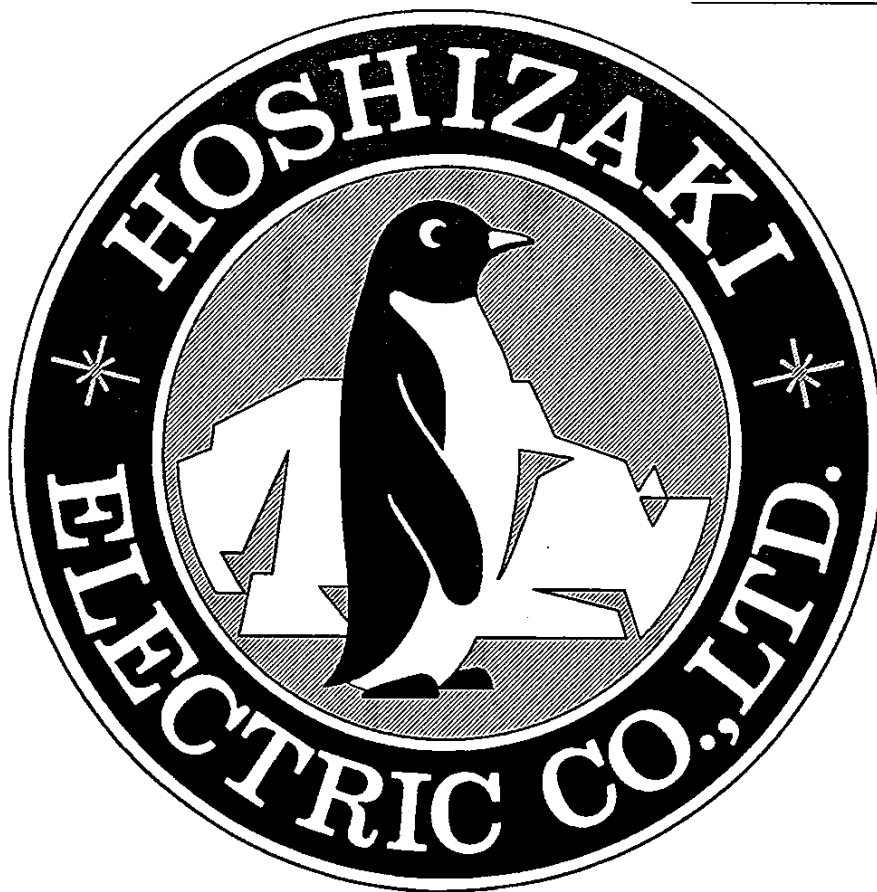


NO. 17EB-2557/71219

ISSUED: FEB.2003

REVISED: DEC.2004



**HOSHIZAKI  
SELF-CONTAINED CUBER  
( OPEN CELL TYPE )**

**MODEL AM-150BAF**

**PARTS LIST  
(HA)**

N-1 FEB. 2003  
N-2 JUL. 2003  
P-1 JAN. 2004  
P-2 MAR. 2004  
P-3 JUL. 2004

## MATERIAL ABBREVIATIONS

### ALUMINUM

AL = Aluminum

### COPPER

CU = Copper

### PLASTIC

ABS = Acrylonitrile -butadiene - styrene  
AC = Polyacetal  
EVA = Ethylene vinyl acetate  
PA = Polyamide = Nylon  
PC = Polycarbonate  
PE = Polyethylene  
PES = Polyester  
PETP = Polyethylene terephthalate = Tetlon  
PP = Polypropylene  
PS = Polystyrene  
PTFE = Polytetrafluoroethylene = Teflon  
PUR = Polyurethane  
PVC = Polyvinyl chloride

### RUBBER

VN = Vinyl Nitrile  
EPDM = EP rubber  
NBR = Nitrile butadiene rubber  
NR = Natural rubber  
NP = Neoprene  
SI.R = Silicone rubber  
SY.R = Synthetic rubber  
EPH = Epichlorohydrin

### STEEL

GS = Galvanized steel  
SS = Stainless steel  
PS = Plated steel  
PAS = Primed steel

## AUXILIARY CODE

K-0

Designates the year. "K" indicates the year 2000. Years progress or regress in alphabetical order. "J" is 1999, "L" is 2001, "M" is 2002, and so on. The letters "I" and "O" were skipped.  
Designates significant part changes within the same year. Base is 0 and this number advances for each change.

Example: P-1

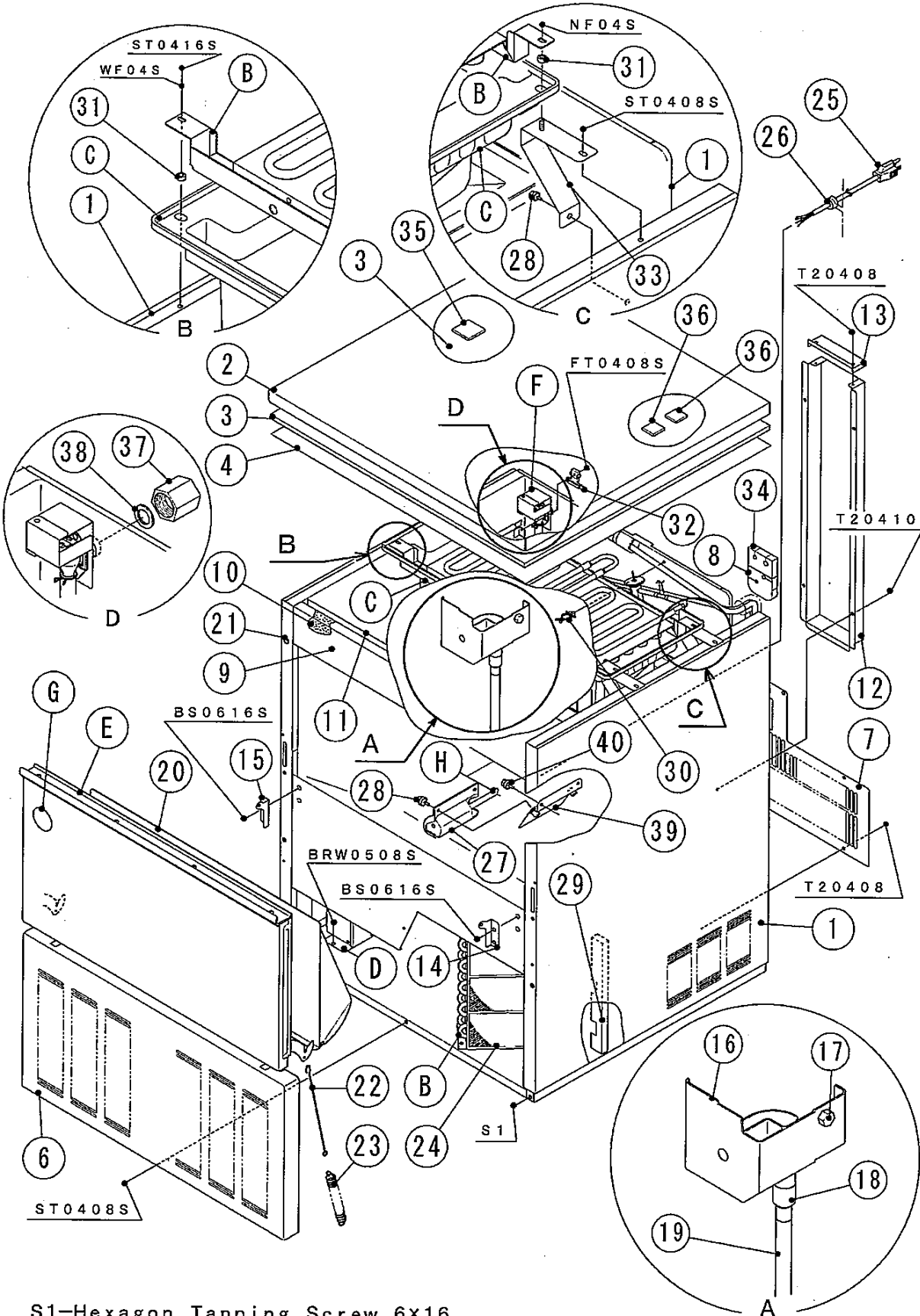
"P" indicates 2004.

"1" indicates the first significant part change for 2004.

## MARKS LOCATED UNDER THE AUXILIARY CODE

- = Part deleted.
- x = Part deleted and replaced by "o" part.
- o = New part in place of "x" part.





S1-Hexagon Tapping Screw, 6x16

HA

MODEL : AM-150BAF		TITLE : A. ICE CUBER ASSY					
INDEX NO.	DESCRIPTION	MATERIAL OR MODEL NUMBER	PART NUMBER	REQ'D NUMBER			
				N-1	N-2	P-1	P-2
B	REFRIGERATION ASSY	-	1H2813A01	1	1	1	-
		-	1H2813A02				1
C	ICE MAKING MECHANISM ASSY	-	1H2809A02	1	1	1	1
D	CONTROL BOX ASSY	-	2H5919A02	1	1	1	1
E	DOOR ASSY	-	3X7242A01	1	1	1	1
F	WATER CIRCUIT ASSY	-	3X7235A02	1	1	-	
		-	3X7235A03			1	1
G	LABEL LOCATION	-	3X7254A01	1	1	1	1
H	THERMOSTAT ASSY	-	3X7346A02	1	1	1	1
1	UNIT FRAME	-	1H2786G01	1	1	-	
		-	1H2786G03			1	1
2	TOP PANEL	S.S	2H5925G01	1	1	1	1
3	INSULATION - TOP PANEL	STYROL	4Y0775-01	1	1	1	1
4	COVER - TOP PANEL	ABS	4Y0776G01	1	1	1	1
5	-	-	-				
6	FRONT PANEL - LOWER	S.S	3X7243G01	1	1	1	1
7	REAR PANEL	G.S	3X7126-01	1	1	1	1
8	INSULATION(A)	PE	4Y1359-01	1	1	1	1
9	FRONT FRAME	S.S	3X7244-01	1	-		
		S.S	3X7244-02		1	1	1
10	INSULATION - FRONT FRAME	PE	4Y0792-01	1	-		
			4Y0792-02		1	1	1
11	COVER - FRONT FRAME	ABS	4Y0777-01	1	-		
			4Y0777-02		1	1	1
12	COVER - PIPE	G.S	3X7127-01	1	1	1	1
13	COVER - TOP	G.S	4Y0774-01	1	1	1	1
14	HINGE ( R )	S.S	4H2583-01	1	1	1	1
15	HINGE ( L )	S.S	4H2584-01	1	1	1	1
16	DRAIN PAN	ABS	2H4534-01	1	1	1	1
17	THUMB SCREW	ABS,S.S	415949G08	1	1	1	1
18	DRAIN JOINT HOSE	SLR	4H2585-01	1	1	1	1
19	DRAIN HOSE	PVC	4Y0896-01	1	1	1	1
20	SLOPE	ABS	3X7135G01	1	1	1	1

HA

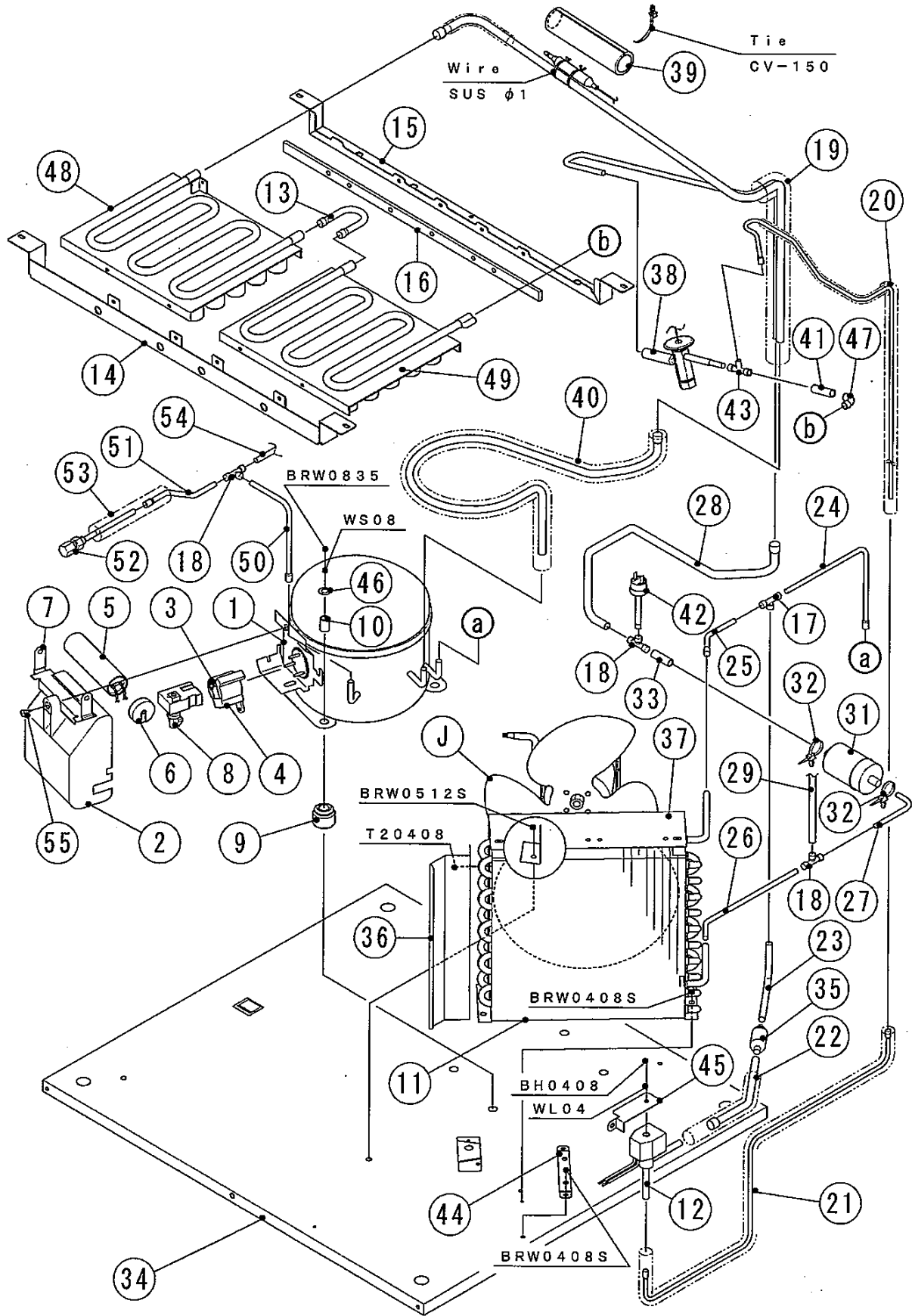
MODEL : AM-150BAF				TITLE : A. ICE CUBER ASSY			
INDEX NO.	DESCRIPTION	MATERIAL OR MODEL NUMBER	PART NUMBER	REQ'D NUMBER			
				P-3			
B	REFRIGERATION ASSY	-	1H2813A02	1			
C	ICE MAKING MECHANISM ASSY	-	1H2809A02	1			
D	CONTROL BOX ASSY	-	2H5919A02	1			
E	DOOR ASSY	-	3X7242A01	1			
F	WATER CIRCUIT ASSY	-	3X7235A03	1			
G	LABEL LOCATION	-	3X7254A01	1			
H	THERMOSTAT ASSY	-	3X7346A02	1			
1	UNIT FRAME	-	1H2786G03	1			
2	TOP PANEL	S.S	2H5925G01	-			
		S.S	2H6682-01	1			
3	INSULATION - TOP PANEL	STYROL	4Y0775-01	1			
4	COVER - TOP PANEL	ABS	2H6652-01	1			
5	-	-	-				
6	FRONT PANEL - LOWER	S.S	3X7243G01	1			
7	REAR PANEL	G.S	3X7126-01	1			
8	INSULATION(A)	PE	4Y1359-01	1			
9	FRONT FRAME	S.S	3X7244-02	-			
		S.S	3X7244-03	1			
10	INSULATION - FRONT FRAME		4Y0792-02	1			
11	COVER - FRONT FRAME	ABS	4Y0777-02	1			
12	COVER - PIPE	G.S	3X7127-01	1			
13	COVER - TOP	G.S	4Y0774-01	1			
14	HINGE ( R )	S.S	4H2583-01	1			
15	HINGE ( L )	S.S	4H2584-01	1			
16	DRAIN PAN	ABS	2H4534-01	1			
17	THUMB SCREW	ABS,S.S	415949G08	1			
18	DRAIN JOINT HOSE	SI.R	4H2585-01	1			
19	DRAIN HOSE	PVC	4Y0896-01	1			
20	SLOPE	ABS	3X7135G01	1			











HA

MODEL : AM-150BAF		TITLE : B. REFRIGERATION ASSY					
INDEX NO.	DESCRIPTION	MATERIAL OR MODEL NUMBER	PART NUMBER	REQ'D NUMBER			
				N-1	N-2	P-1	P-2
J	FAN MOTOR ASSY	-	3X7240A01	1	1	1	1
1	COMPRESSOR	ASE24C3E-1AA	4Y0903-01	1	1	1	-
			4A2272-02				1
2	COVER	-	4Y0903F01	1	1	1	-
			4A2272F01				1
3	PROTECTOR RETAINER	-	4Y0903F02	1	1	1	-
			4A2272F02				1
4	PROTECTOR	-	4A2293-01	1	1	1	-
			4A2989-01				1
5	STARTING CAPACITOR	-	4Y0897-01	1	1	1	-
			4Y2011G01				1
6	CAP - CAPACITOR	-	4Y0904-01	1	1	1	1
7	BRACKET - CAPACITOR	-	4Y0898-01	1	1	1	1
8	STARTER	-	4A2294-01	1	1	1	-
			4A3455-01				1
9	GROMMET	027-C210-03	4A2281-01	4	4	4	4
10	SPACER	028-0188-11	4A2500-01	4	4	4	4
11	CONDENSER	-	203881-01	1	1	1	1
12	SOLENOID VALVE	ATS-7S12HD-1	464103-01	1	1	1	1
13	COPPER TUBE( A ) - JOINT	COPPER	4Y0766-01	1	1	1	1
14	BRACKET - EVA( F )	S.S	3X7118-01	1	1	1	1
15	BRACKET - EVA( R )	S.S	3X7119-01	1	1	1	1
16	RUBBER - EVA	SI.R	4Y0874-01	1	1	1	1
17	TEE	COPPER	420041-11	1	1	1	1
18	TEE	COPPER	417394-01	2	2	3	3
19	HEAT EXCHANGER	COPPER	3X7123G01	1	1	1	1
20	COPPER TUBE( A ) - HOT GAS	COPPER	3X7120G01	1	1	1	1
21	COPPER TUBE( B ) - HOT GAS	COPPER	4Y0778G01	1	1	1	1
22	COPPER TUBE( C ) - HOT GAS	COPPER	4Y0779G01	1	1	1	1
23	COPPER TUBE( D ) - HOT GAS	COPPER	4Y0780-01	1	1	1	1
24	COPPER TUBE( A ) - HIGH SIDE	COPPER	4Y0781-01	1	1	1	1
25	COPPER TUBE( B ) - HIGH SIDE	COPPER	4Y0782-01	1	1	1	1
26	COPPER TUBE( C ) - HIGH SIDE	COPPER	4Y0783-01	1	1	1	1

HA

MODEL : AM-150BAF		TITLE : B. REFRIGERATION ASSY					
INDEX NO.	DESCRIPTION	MATERIAL OR MODEL NUMBER	PART NUMBER	REQ'D NUMBER			
				P-3			
J	FAN MOTOR ASSY	-	3X7240A01	1			
1	COMPRESSOR	ASE24C3E-1AA	4A2272-02	1			
2	COVER	-	4A2272F01	1			
3	PROTECTOR RETAINER	-	4A2272F02	1			
4	PROTECTOR	-	4A2989-01	1			
5	STARTING CAPACITOR	-	4Y2011G01	1			
6	CAP - CAPACITOR	-	4Y0904-01	1			
7	BRACKET - CAPACITOR	-	4Y0898-01	1			
8	STARTER		4A3455-01	1			
9	GROMMET	027-C210-03	4A2281-01	4			
10	SPACER	028-0188-11	4A2500-01	4			
11	CONDENSER	-	203881-01	1			
12	SOLENOID VALVE	ATS-7S12HD-1	464103-01	1			
13	COPPER TUBE( A ) - JOINT	COPPER	4Y0766-01	1			
14	BRACKET - EVA( F )	S.S	3X7118-01	1			
15	BRACKET - EVA( R )	S.S	3X7119-01	1			
16	RUBBER - EVA	SI.R	4Y0874-01	1			
17	TEE	COPPER	420041-11	1			
18	TEE	COPPER	417394-01	3			
19	HEAT EXCHANGER	COPPER	3X7123G01	1			
20	COPPER TUBE( A ) - HOT GAS	COPPER	3X7120G01	1			
21	COPPER TUBE( B ) - HOT GAS	COPPER	4Y0778G01	1			
22	COPPER TUBE( C ) - HOT GAS	COPPER	4Y0779G01	1			
23	COPPER TUBE( D ) - HOT GAS	COPPER	4Y0780-01	1			
24	COPPER TUBE( A ) - HIGH SIDE	COPPER	4Y0781-01	1			
25	COPPER TUBE( B ) - HIGH SIDE	COPPER	4Y0782-01	1			
26	COPPER TUBE( C ) - HIGH SIDE	COPPER	4Y0783-01	1			

HA

MODEL : AM-150BAF		TITLE : B. REFRIGERATION ASSY					
INDEX NO.	DESCRIPTION	MATERIAL OR MODEL NUMBER	PART NUMBER	REQ'D NUMBER			
				N-1	N-2	P-1	P-2
27	COPPER TUBE( D ) - HIGH SIDE	COPPER	4Y0784-01	1	1	1	1
28	COPPER TUBE( F ) - HIGH SIDE	COPPER	3X7124-01	1	1	1	1
29	PROCESS TUBE( A )	COPPER	4Y0875-01	1	1	1	1
30	PROCESS TUBE( B )	COPPER	4Y0786-01	1	1	-	-
31	DRIER	DML 032S	463542-01	1	1	1	1
32	TIE	T30RSF	436156-01	1	1	2	2
33	COPPER TUBE( B ) - JOINT	COPPER	4Y0785-01	1	1	1	1
34	BASE	G.S	2H5878G01	1	1	1	1
35	STRAINER	COPPER	430365-02	1	1	1	1
36	PLATE - CONDENSER	G.S	4Y0791-01	1	1	1	1
37	SHROUD	G.S	3H0295-01	1	1	1	1
38	EXPANSION VALVE	FRE-5NHD-2	4Y0902-01	1	1	1	1
39	INSULATION - SILICONE	-	4Y0883-01	1	1	1	1
40	COPPER TUBE( A ) - SUCTION	COPPER	3X7125G01	1	1	1	1
41	COPPER TUBE( G ) - HIGH SIDE	COPPER	4Y0787-01	1	1	1	1
42	PRESSURE SWITCH	ACB-1UB22	463180-01	1	1	1	1
43	TEE	COPPER	420335-01	1	1	1	1
44	GUIDE-CONDENSER	G.S	4Y0888-01	1	1	1	1
45	BRACKET - HOT GAS VALVE	G.S	4Y0947-01	1	1	1	1
46	WASHER	-	4H4467-01	4	4	4	4
47	ELBOW	COPPER	417395-02	1	1	1	1
48	EVAPORATOR( L )	-	3X7101G01	1	1	1	1
49	EVAPORATOR( R )	-	3X7099G01	1	1	1	1
50	COPPER TUBE(A) - PROCESS	COPPER	4Y1797-01			1	1
51	COPPER TUBE(B) - PROCESS	COPPER	4Y1887-01			1	1
52	ACCESS VALVE	-	457729-01			1	1
53	INSULATION - TUBE	PE	1H2813-63			1	1
54	PROCESS TUBE(B)	COPPER	4Y1795-02			1	1
55	SCREW	-	4A3358-01	1	1	1	1

HA

MODEL : AM-150BAF		TITLE : B. REFRIGERATION ASSY					
INDEX NO.	DESCRIPTION	MATERIAL OR MODEL NUMBER	PART NUMBER	REQ'D NUMBER			
				P-3			
27	COPPER TUBE( D ) - HIGH SIDE	COPPER	4Y0784-01	1			
28	COPPER TUBE( F ) - HIGH SIDE	COPPER	3X7124-01	1			
29	PROCESS TUBE( A )	COPPER	4Y0875-01	1			
30	-	-	-				
31	DRIER	DML 032S	463542-01	1			
32	TIE	T30RSF	436156-01	2			
33	COPPER TUBE( B ) - JOINT	COPPER	4Y0785-01	1			
34	BASE	G.S	2H5878G01	1			
35	STRAINER	COPPER	430365-02	1			
36	PLATE - CONDENSER	G.S	4Y0791-01	1			
37	SHROUD	G.S	3H0295-01	1			
38	EXPANSION VALVE	FRE-5NHD-2	4Y0902-01	1			
39	INSULATION - SILICONE	-	4Y0883-01	1			
40	COPPER TUBE( A ) - SUCTION	COPPER	3X7125G01	1			
41	COPPER TUBE( G ) - HIGH SIDE	COPPER	4Y0787-01	1			
42	PRESSURE SWITCH	ACB-1UB22	463180-01	1			
43	TEE	COPPER	420335-01	1			
44	GUIDE-CONDENSER	G.S	4Y0888-01	1			
45	BRACKET - HOT GAS VALVE	G.S	4Y0947-01	1			
46	WASHER	-	4H4467-01	4			
47	ELBOW	COPPER	417395-02	1			
48	EVAPORATOR( L )	-	3X7101G01	1			
49	EVAPORATOR( R )	-	3X7099G01	1			
50	COPPER TUBE(A) - PROCESS	COPPER	4Y1797-01	1			
51	COPPER TUBE(B) - PROCESS	COPPER	4Y1887-01	1			
52	ACCESS VALVE	-	457729-01	1			
53	INSULATION - TUBE	PE	1H2813-63	1			
54	PROCESS TUBE(B)	COPPER	4Y1795-02	1			
55	SCREW	-	4A3358-01	1			

