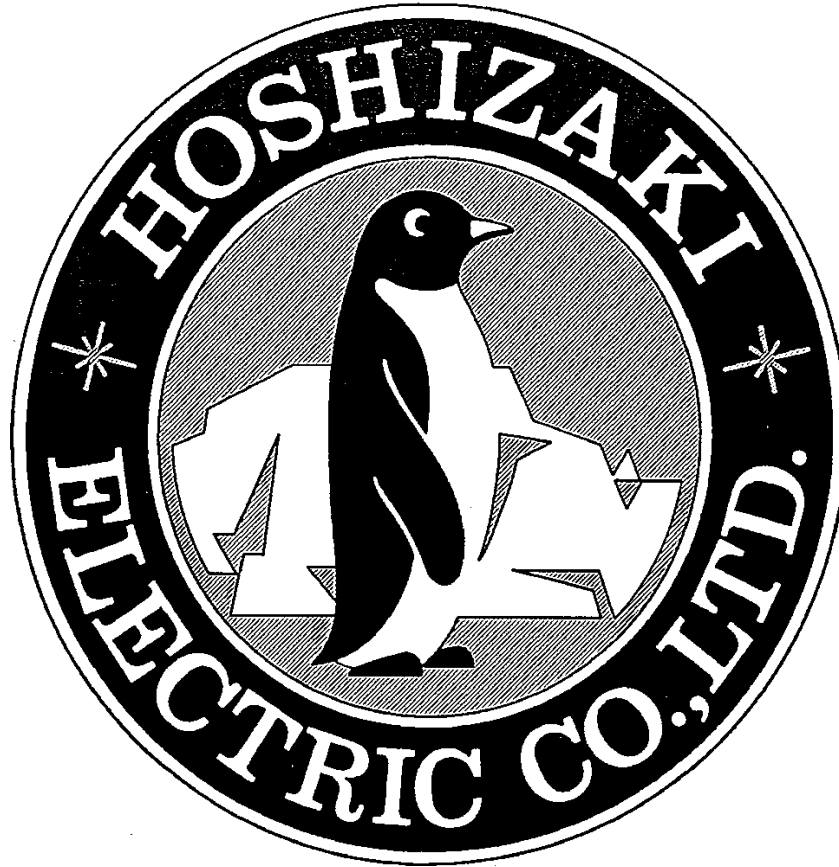


NO. 17EC-2633/71235

ISSUED: JAN.2004

REVISED: DEC.2004



**HOSHIZAKI  
SELF-CONTAINED CUBER  
( OPEN CELL TYPE )**

**MODEL AM-150BWF**

**PARTS LIST**  
(HA)

N-1 DEC. 2003  
P-1 MAY. 2004  
P-2 JUL. 2004

## MATERIAL ABBREVIATIONS

### ALUMINUM

AL = Aluminum

### COPPER

CU = Copper

### PLASTIC

ABS = Acrylonitrile -butadiene - styrene  
AC = Polyacetal  
EVA = Ethylene vinyl acetate  
PA = Polyamide = Nylon  
PC = Polycarbonate  
PE = Polyethylene  
PES = Polyester  
PETP = Polyethylene terephthalate = Tetlon  
PP = Polypropylene  
PS = Polystyrene  
PTFE = Polytetrafluoroethylene = Teflon  
PUR = Polyurethane  
PVC = Polyvinyl chloride

### RUBBER

VN = Vinyl Nitrile  
EPDM = EP rubber  
NBR = Nitrile butadiene rubber  
NR = Natural rubber  
NP = Neoprene  
SI.R = Silicone rubber  
SY.R = Synthetic rubber  
EPH = Epichlorohydrin

### STEEL

GS = Galvanized steel  
SS = Stainless steel  
PS = Plated steel  
PAS = Primed steel

## AUXILIARY CODE

K-0

Designates the year. "K" indicates the year 2000. Years progress or regress in alphabetical order. "J" is 1999, "L" is 2001, "M" is 2002, and so on. The letters "I" and "O" were skipped.

Designates significant part changes within the same year. Base is 0 and this number advances for each change.

Example: P-1

"P" indicates 2004.

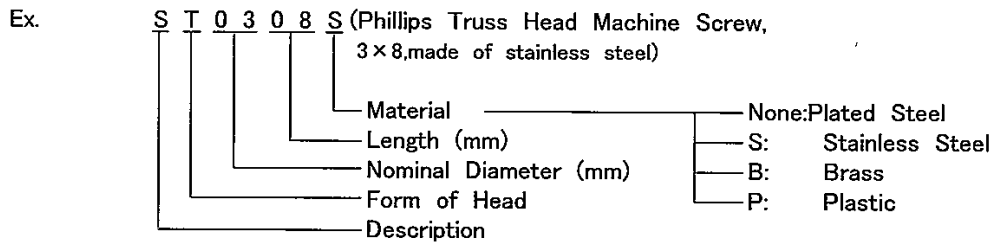
"1" indicates the first significant part change for 2004.

### MARKS LOCATED UNDER THE AUXILIARY CODE

- = Part deleted.
- x = Part deleted and replaced by "o" part.
- o = New part in place of "x" part.

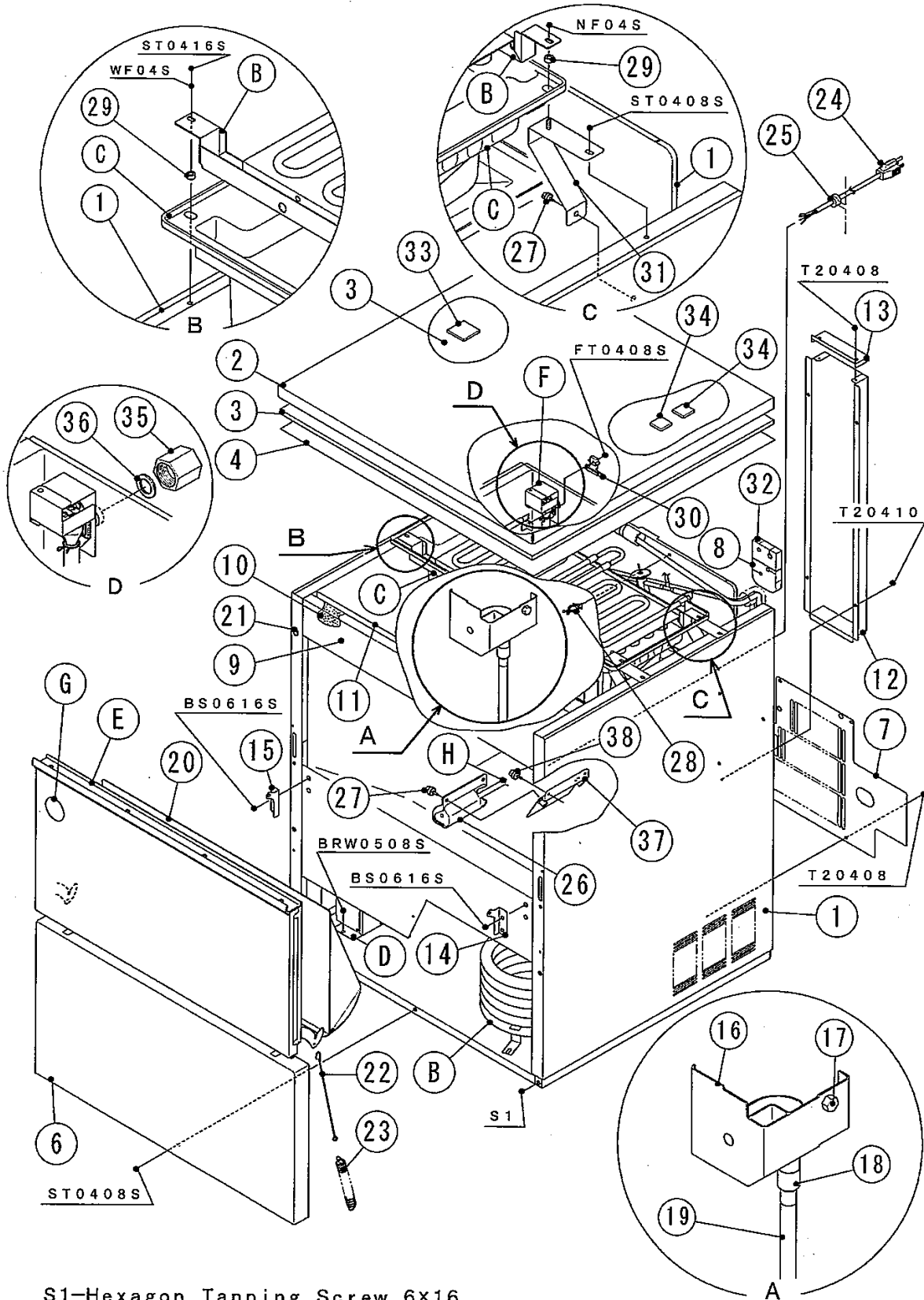
## FASTENER ABBREVIATION LIST

|     |   |   |
|-----|---|---|
| ST  | = | Phillips Truss Head Machine Screw                                       |
| SP  | = | Phillips Pan Head Machine Screw   |
| SF  | = | Phillips Flat Head Machine Screw  |
| SS  | = | Phillips Pan Head Machine Screw with Split Lock Washer                  |
| SW  | = | Phillips Pan Head Machine Screw with Split Lock Washer and Flat Washer  |
| T1  | = | Phillips Truss Head Tapping Screw (Correspond to Type A)                |
| T2  | = | Phillips Truss Head Tapping Screw (Correspond to Type B)                |
| T3  | = | Phillips Truss Head Tapping Screw (Correspond to Type C)                |
| FT  | = | Phillips Truss Head Tapping Screw (Special)                             |
| BH  | = | Hexagon Head Bolt   |
| BC  | = | Socket Head Cap Screw   |
| BS  | = | Hexagon Bolt with Split Washer  |
| BW  | = | Hexagon Bolt with Split Washer and Flat Washer                          |
| BF  | = | Hexagon Flange Bolt   |
| BR  | = | Cross-Recessed Hexagon Head Bolt  |
| BRW | = | Cross-Recessed Hexagon Head Bolt with Split Lock Washer and Flat Washer |
| WL  | = | Split Lock Washer   |
| WT  | = | External Tooth Washer   |
| WF  | = | Flat Washer   |
| WS  | = | Spring Washer   |
| NH  | = | Hexagon Nut   |
| NF  | = | Hexagon Flange Nut  |
| NC  | = | Hexagon Cap Nut   |
| NS  | = | Square Nut  |
| NW  | = | Wing Nut  |



(Note) Second character is numerical except the list.  
 Ex: S1,S2,B3 etc.

And abbreviations and names are shown under the illustration.

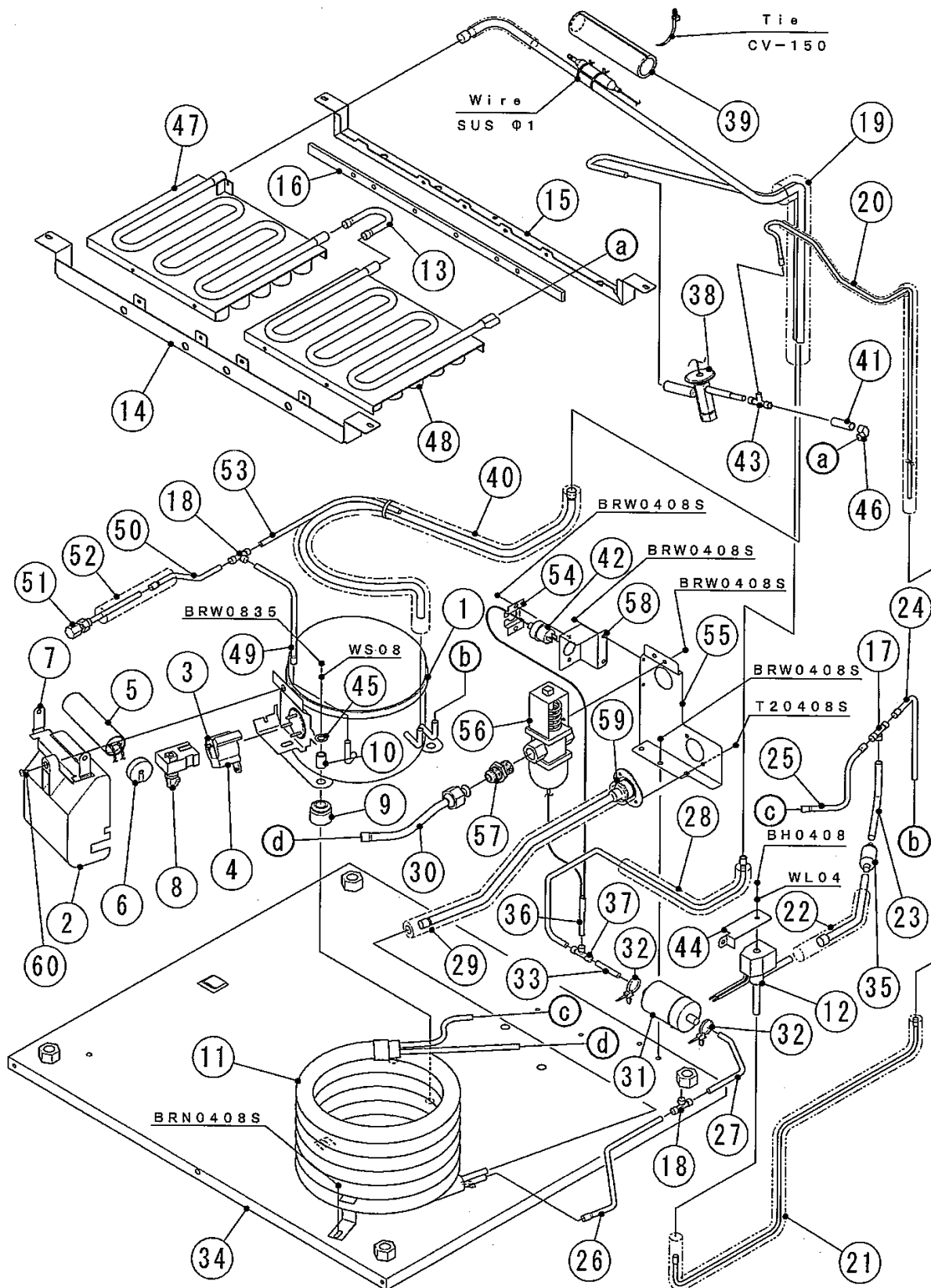


S1-Hexagon Tapping Screw, 6X16

HA

| MODEL : AM-150BWF |                           |                          |             | TITLE : A. ICE CUBER ASSY |     |     |  |
|-------------------|---------------------------|--------------------------|-------------|---------------------------|-----|-----|--|
| INDEX NO.         | DESCRIPTION               | MATERIAL OR MODEL NUMBER | PART NUMBER | REQ'D NUMBER              |     |     |  |
|                   |                           |                          |             | N-1                       | P-1 | P-2 |  |
| B                 | REFRIGERATION ASSY        | -                        | 1H2960A01   | 1                         | -   |     |  |
|                   |                           | -                        | 1H2960A02   |                           | 1   | 1   |  |
| C                 | ICE MAKING MECHANISM ASSY | -                        | 1H2809A02   | 1                         | 1   | 1   |  |
| D                 | CONTROL BOX ASSY          | -                        | 2H5919A02   | 1                         | 1   | 1   |  |
| E                 | DOOR ASSY                 | -                        | 3X7242A01   | 1                         | 1   | 1   |  |
| F                 | WATER CIRCUIT ASSY        | -                        | 3X7235A03   | 1                         | 1   | 1   |  |
| G                 | LABEL LOCATION            | -                        | 3X8466A01   | 1                         | 1   | 1   |  |
| H                 | THERMOSTAT ASSY           | -                        | 3X7346A02   | 1                         | 1   | 1   |  |
| 1                 | UNIT FRAME                | -                        | 1H2786G03   | 1                         | 1   | 1   |  |
| 2                 | TOP PANEL                 | S.S                      | 2H5925G01   | 1                         | 1   | -   |  |
|                   |                           | S.S                      | 2H6682-01   |                           |     | 1   |  |
| 3                 | INSULATION - TOP PANEL    | STYROL                   | 4Y0775-01   | 1                         | 1   | 1   |  |
| 4                 | COVER - TOP PANEL         | ABS                      | 2H6652-01   | 1                         | 1   | 1   |  |
| 5                 | -                         | -                        | -           |                           |     |     |  |
| 6                 | FRONT PANEL - LOWER       | S.S                      | 2H6424-01   | 1                         | 1   | 1   |  |
| 7                 | REAR PANEL                | G.S                      | 3X8447-01   | 1                         | 1   | 1   |  |
| 8                 | INSULATION(A)             | PE                       | 4Y1359-01   | 1                         | 1   | 1   |  |
| 9                 | FRONT FRAME               | S.S                      | 3X7244-02   | 1                         | 1   | -   |  |
|                   |                           | S.S                      | 3X7244-03   |                           |     | 1   |  |
| 10                | INSULATION - FRONT FRAME  | PE                       | 4Y0792-02   | 1                         | 1   | 1   |  |
| 11                | COVER - FRONT FRAME       | ABS                      | 4Y0777-02   | 1                         | 1   | 1   |  |
| 12                | COVER - PIPE              | G.S                      | 3X7127-01   | 1                         | 1   | 1   |  |
| 13                | COVER - TOP               | G.S                      | 4Y0774-01   | 1                         | 1   | 1   |  |
| 14                | HINGE ( R )               | S.S                      | 4H2583-01   | 1                         | 1   | 1   |  |
| 15                | HINGE ( L )               | S.S                      | 4H2584-01   | 1                         | 1   | 1   |  |
| 16                | DRAIN PAN                 | ABS                      | 2H4534-01   | 1                         | 1   | 1   |  |
| 17                | THUMB SCREW               | ABS,S.S                  | 415949G08   | 1                         | 1   | 1   |  |
| 18                | DRAIN JOINT HOSE          | SI.R                     | 4H2585-01   | 1                         | 1   | 1   |  |
| 19                | DRAIN HOSE                | PVC                      | 4Y0896-01   | 1                         | 1   | 1   |  |
| 20                | SLOPE                     | ABS                      | 3X7135G01   | 1                         | 1   | 1   |  |
| 21                | TAPER COLLAR              | S.S                      | 4H0171-01   | 2                         | 2   | 2   |  |
| 22                | HOOK                      | S.S                      | 4Y0884-01   | 1                         | 1   | 1   |  |
| 23                | SPRING                    | ZINC-PLATED WIRE         | 4H0823-01   | 1                         | 1   | 1   |  |





HA

| MODEL : AM-150BWF |                              |                          | TITLE : B. REFRIGERATION ASSY |              |     |     |  |
|-------------------|------------------------------|--------------------------|-------------------------------|--------------|-----|-----|--|
| INDEX NO.         | DESCRIPTION                  | MATERIAL OR MODEL NUMBER | PART NUMBER                   | REQ'D NUMBER |     |     |  |
|                   |                              |                          |                               | N-1          | P-1 | P-2 |  |
| 1                 | COMPRESSOR                   | ASE24C3E-1AA             | 4Y0903-01                     | 1            | -   |     |  |
|                   |                              |                          | 4A2272-02                     |              | 1   | 1   |  |
| 2                 | COVER                        | -                        | 4Y0903F01                     | 1            | -   |     |  |
|                   |                              | -                        | 4A2272F01                     |              | 1   | 1   |  |
| 3                 | PROTECTOR RETAINER           | -                        | 4Y0903F02                     | 1            | -   |     |  |
|                   |                              | -                        | 4A2272F02                     |              | 1   | 1   |  |
| 4                 | PROTECTOR                    | -                        | 4A2293-01                     | 1            | -   |     |  |
|                   |                              | -                        | 4A2989-01                     |              | 1   | 1   |  |
| 5                 | STARTING CAPACITOR           | -                        | 4Y0897-01                     | 1            | -   |     |  |
|                   |                              | -                        | 4Y2011G01                     |              | 1   | 1   |  |
| 6                 | CAP - CAPACITOR              | -                        | 4Y0904-01                     | 1            | 1   | 1   |  |
| 7                 | BRACKET - CAPACITOR          | -                        | 4Y0898-01                     | 1            | 1   | 1   |  |
| 8                 | STARTER                      | -                        | 4A2294-01                     | 1            | -   |     |  |
|                   |                              | -                        | 4A3455-01                     |              | 1   | 1   |  |
| 9                 | GROMMET                      | 027-C210-03              | 4A2281-01                     | 4            | 4   | 4   |  |
| 10                | SPACER                       | 028-0188-11              | 4A2500-01                     | 4            | 4   | 4   |  |
| 11                | CONDENSER - WATER COOLED     | -                        | 204411G01                     | 1            | 1   | 1   |  |
| 12                | SOLENOID VALVE               | ATS-7S12HD-1             | 464103-01                     | 1            | 1   | 1   |  |
| 13                | COPPER TUBE ( A ) - JOINT    | COPPER                   | 4Y0766-01                     | 1            | 1   | 1   |  |
| 14                | BRACKET - EVA( F )           | S.S                      | 3X7118-01                     | 1            | 1   | 1   |  |
| 15                | BRACKET - EVA( R )           | S.S                      | 3X7119-01                     | 1            | 1   | 1   |  |
| 16                | RUBBER - EVA                 | SI.R                     | 4Y0874-01                     | 1            | 1   | 1   |  |
| 17                | TEE                          | COPPER                   | 420041-11                     | 1            | 1   | 1   |  |
| 18                | TEE                          | COPPER                   | 417394-01                     | 2            | 2   | 2   |  |
| 19                | HEAT EXCHANGER               | COPPER                   | 3X7123G01                     | 1            | 1   | 1   |  |
| 20                | COPPER TUBE( A ) - HOT GAS   | COPPER                   | 3X7120G01                     | 1            | 1   | 1   |  |
| 21                | COPPER TUBE( B ) - HOT GAS   | COPPER                   | 4Y0778G01                     | 1            | 1   | 1   |  |
| 22                | COPPER TUBE( C ) - HOT GAS   | COPPER                   | 4Y0779G01                     | 1            | 1   | 1   |  |
| 23                | COPPER TUBE( D ) - HOT GAS   | COPPER                   | 4Y1820-01                     | 1            | 1   | 1   |  |
| 24                | COPPER TUBE( A ) - HIGH SIDE | COPPER                   | 4Y1822-01                     | 1            | 1   | 1   |  |
| 25                | COPPER TUBE( B ) - HIGH SIDE | COPPER                   | 4Y1821-01                     | 1            | 1   | 1   |  |
| 26                | COPPER TUBE( C ) - HIGH SIDE | COPPER                   | 4Y1819-01                     | 1            | 1   | 1   |  |
| 27                | COPPER TUBE( D ) - HIGH SIDE | COPPER                   | 4Y1818-01                     | 1            | 1   | 1   |  |

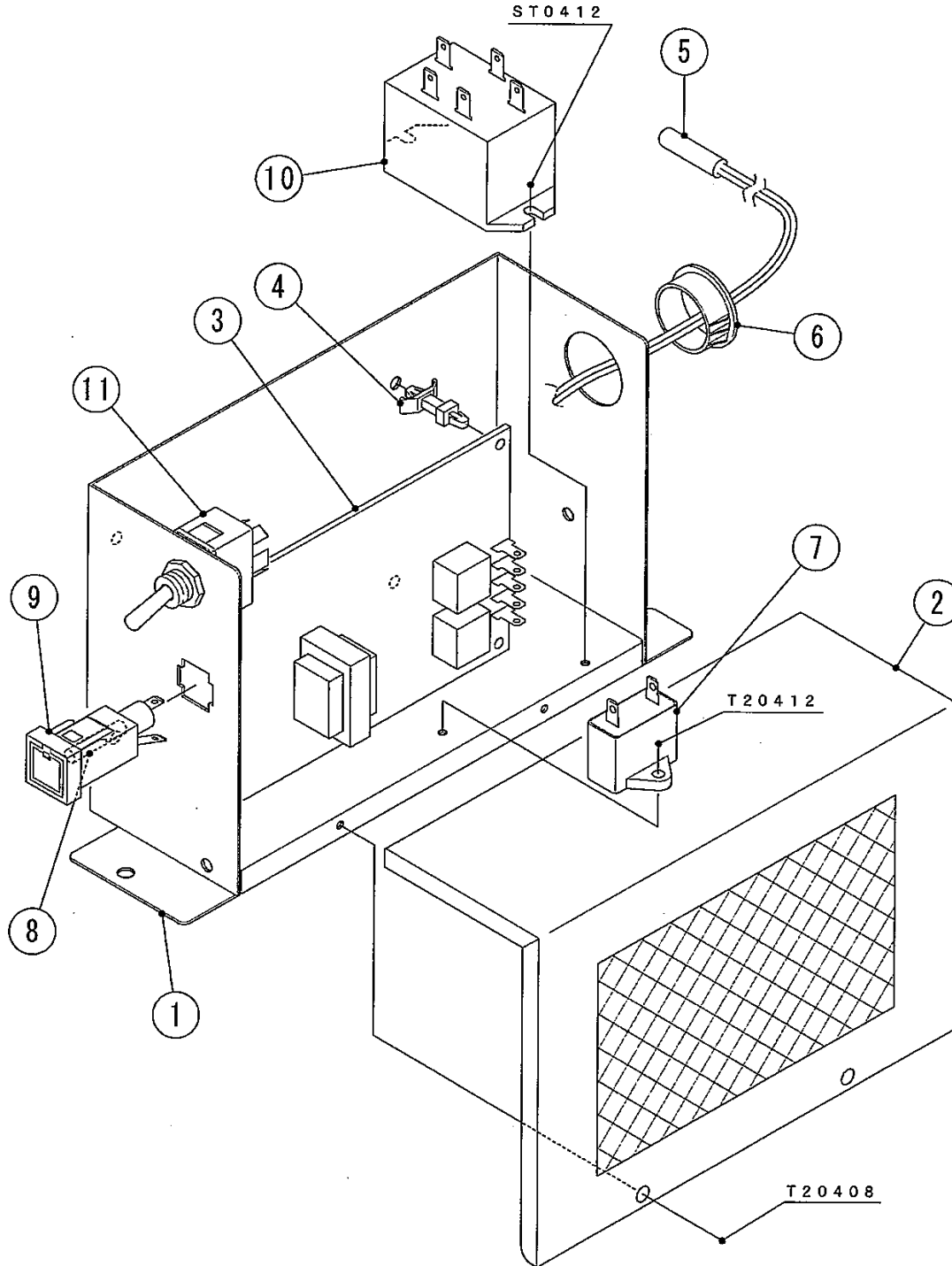


HA

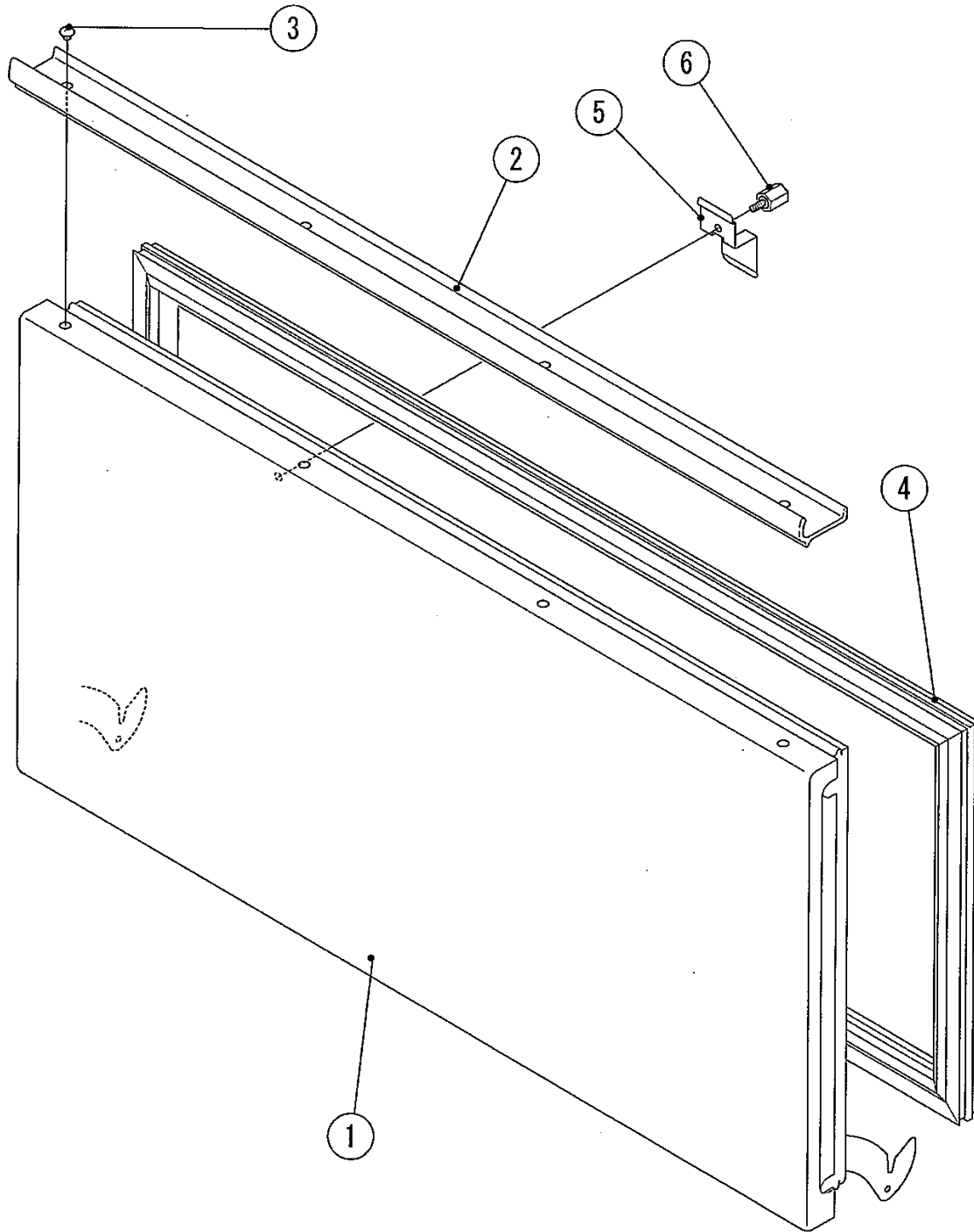
| MODEL : AM-150BWF |                              |                          |             | TITLE : B. REFRIGERATION ASSY |     |     |  |
|-------------------|------------------------------|--------------------------|-------------|-------------------------------|-----|-----|--|
| INDEX NO.         | DESCRIPTION                  | MATERIAL OR MODEL NUMBER | PART NUMBER | REQ'D NUMBER                  |     |     |  |
|                   |                              |                          |             | N-1                           | P-1 | P-2 |  |
| 28                | COPPER TUBE( F ) - HIGH SIDE | COPPER                   | 3X8446G01   | 1                             | 1   | 1   |  |
| 29                | COPPER TUBE - FITTING        | COPPER                   | 4Y1798G01   | 1                             | 1   | 1   |  |
| 30                | COPPER TUBE( B ) - WATER     | COPPER                   | 4Y1800G01   | 1                             | 1   | 1   |  |
| 31                | DRIER                        | DML 032S                 | 463542-01   | 1                             | 1   | 1   |  |
| 32                | TIE                          | T30RSF                   | 436156-01   | 2                             | 2   | 2   |  |
| 33                | COPPER TUBE( B ) - JOINT     | COPPER                   | 4Y1817-01   | 1                             | 1   | 1   |  |
| 34                | BASE                         | G.S                      | 2H6423G01   | 1                             | 1   | 1   |  |
| 35                | STRAINER                     | COPPER                   | 430365-02   | 1                             | 1   | 1   |  |
| 36                | COPPER TUBE - JOINT          | COPPER                   | 4H9161-01   | 1                             | 1   | 1   |  |
| 37                | TEE                          | COPPER                   | 420041-16   | 1                             | 1   | 1   |  |
| 38                | EXPANSION VALVE              | FRE-5NHD-2               | 4Y0902-01   | 1                             | 1   | 1   |  |
| 39                | INSULATION - SILICONE        | -                        | 4Y0883-01   | 1                             | 1   | 1   |  |
| 40                | COPPER TUBE(A) - SUCTION     | COPPER                   | 3X8448G01   | 1                             | 1   | 1   |  |
| 41                | COPPER TUBE( G ) - HIGH SIDE | COPPER                   | 4Y0787-01   | 1                             | 1   | 1   |  |
| 42                | PRESSURE SWITCH              | ACB-2UB02                | 433441-01   | 1                             | 1   | 1   |  |
| 43                | TEE                          | COPPER                   | 420335-01   | 1                             | 1   | 1   |  |
| 44                | BRACKET - HOT GAS VALVE      | G.S                      | 4Y0947-01   | 1                             | 1   | 1   |  |
| 45                | WASHER                       | -                        | 4H4467-01   | 4                             | 4   | 4   |  |
| 46                | ELBOW                        | COPPER                   | 417395-02   | 1                             | 1   | 1   |  |
| 47                | EVAPORATOR( L )              | -                        | 3X7101G01   | 1                             | 1   | 1   |  |
| 48                | EVAPORATOR( R )              | -                        | 3X7099G01   | 1                             | 1   | 1   |  |
| 49                | COPPER TUBE (A) - PROCESS    | COPPER                   | 4Y1797-01   | 1                             | 1   | 1   |  |
| 50                | COPPER TUBE (B) - PROCESS    | COPPER                   | 4Y1796-01   | 1                             | 1   | 1   |  |
| 51                | ACCESS VALVE                 | -                        | 457729-01   | 1                             | 1   | 1   |  |
| 52                | INSULATION - TUBE            | PE                       | 1H2960-69   | 1                             | 1   | 1   |  |
| 53                | PROCESS TUBE (B)             | COPPER                   | 4Y1795-01   | 2                             | 2   | 2   |  |
| 54                | BRACKET - PRESSURE SWITCH    | G.S                      | 425506-01   | 1                             | 1   | 1   |  |
| 55                | BRACKET - WATER REGULATOR    | G.S                      | 3X8433-01   | 1                             | 1   | 1   |  |
| 56                | WATER REGULATOR              | -                        | 4A0911-06   | 1                             | 1   | 1   |  |
| 57                | MALE CONNECTOR               | COPPER                   | 4A1284-01   | 1                             | 1   | 1   |  |
| 58                | BRACKET - PRESSURE SWITCH    | G.S                      | 4Y1786-01   | 1                             | 1   | 1   |  |
| 59                | INSULATION - ADAPTOR         | PE                       | 4Y1904-01   | 1                             | 1   | 1   |  |
| 60                | SCREW                        | -                        | 4A3358-01   | 1                             | 1   | 1   |  |



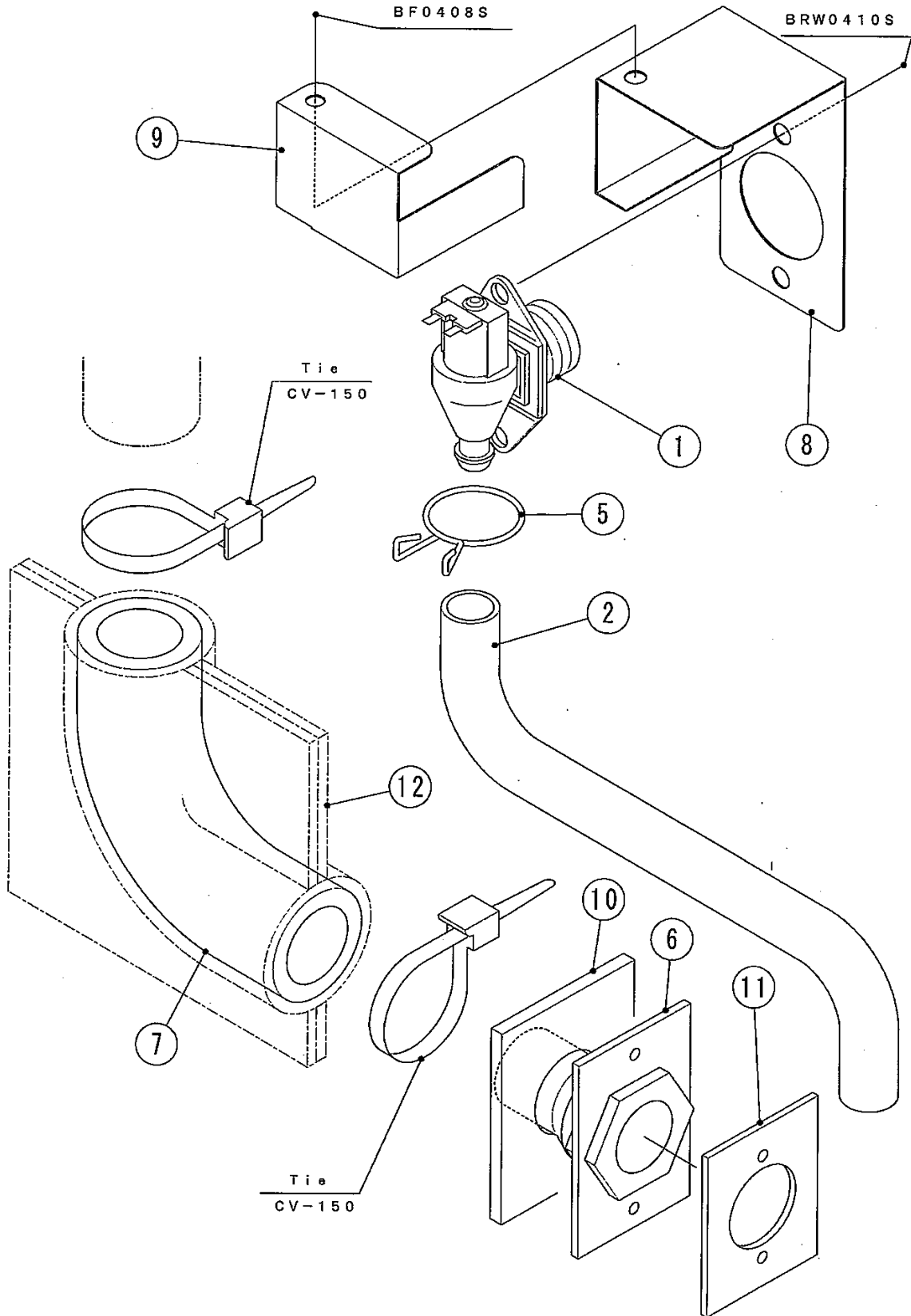






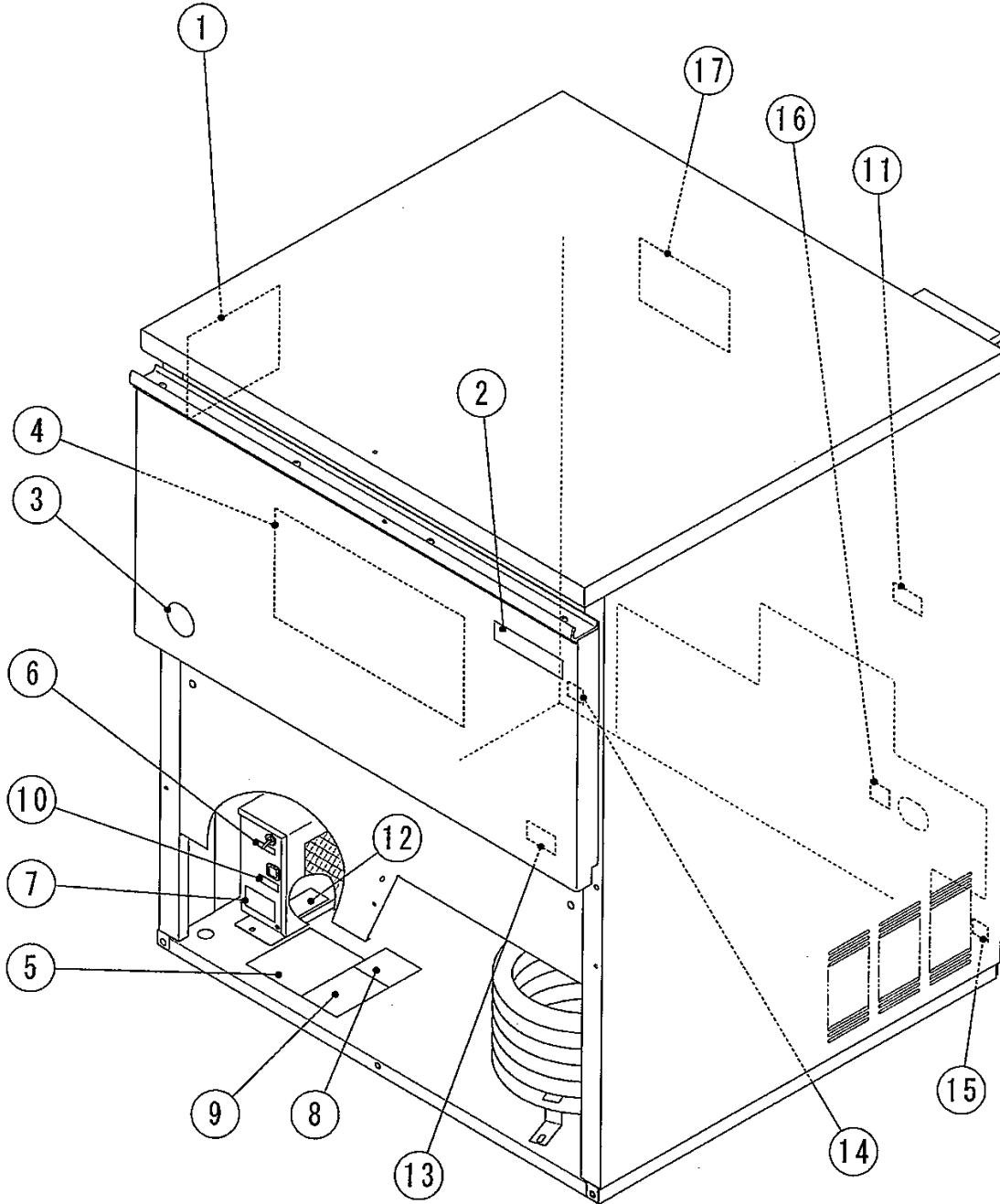






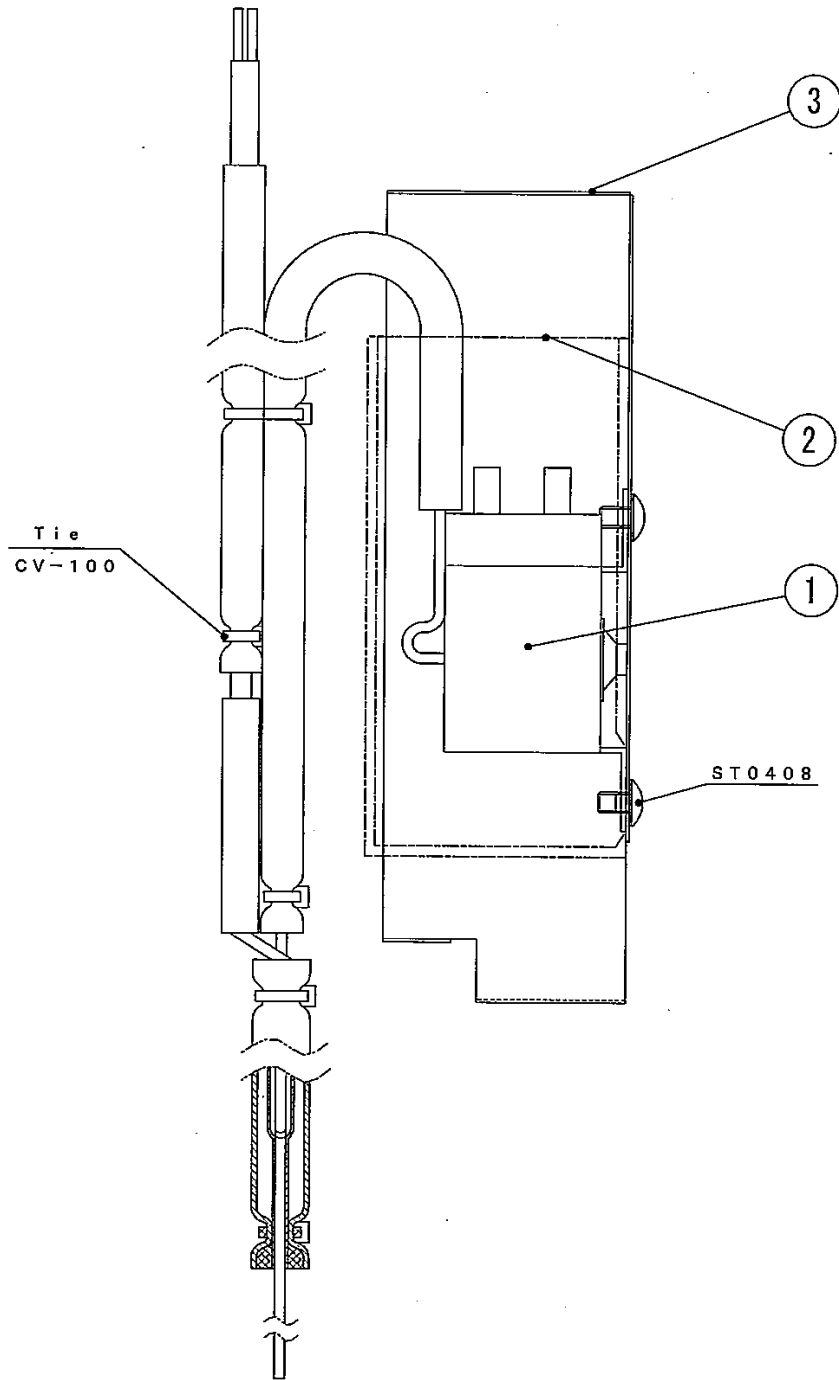






HA

| MODEL : AM-150BWF |                         |                          |             | TITLE : G. LABEL LOCATION |     |     |  |
|-------------------|-------------------------|--------------------------|-------------|---------------------------|-----|-----|--|
| INDEX NO.         | DESCRIPTION             | MATERIAL OR MODEL NUMBER | PART NUMBER | REQ'D NUMBER              |     |     |  |
|                   |                         |                          |             | N-1                       | P-1 | P-2 |  |
| 1                 | NAME PLATE              | -                        | N/A         | 1                         | 1   | 1   |  |
| 2                 | EMBLEM                  | PES FILM                 | 456245-01   | 1                         | 1   | 1   |  |
| 3                 | LABEL - PENGUIN         | PES FILM                 | 456246-01   | 1                         | 1   | 1   |  |
| 4                 | MAINTENANCE LABEL       | PVC FILM                 | 239311-01   | 1                         | 1   | 1   |  |
| 5                 | WIRING LABEL            | PVC FILM                 | 3X7249-01   | 1                         | 1   | 1   |  |
| 6                 | CONTROL LABEL           | PES FILM                 | 464508-01   | 1                         | 1   | 1   |  |
| 7                 | CAUTION LABEL           | PVC FILM                 | 464507-01   | 1                         | 1   | 1   |  |
| 8                 | LABEL - R404A           | PES FILM                 | 453230-01   | 1                         | 1   | 1   |  |
| 9                 | CAUTION LABEL - SERVICE | PVC FILM                 | 466194-01   | 1                         | 1   | 1   |  |
| 10                | LABEL - FUSE            | PES FILM                 | 465112-01   | 1                         | 1   | 1   |  |
| 11                | LABEL - GROUND          | PVC FILM                 | 451712-01   | 1                         | 1   | 1   |  |
| 12                | LABEL - VOLUME          | PVC FILM                 | 464795-01   | 1                         | 1   | 1   |  |
| 13                | LABEL - ABS             | PVC FILM                 | 455532-01   | 1                         | 1   | 1   |  |
| 14                | LABEL - DRAIN WATER     | PVC FILM                 | 418029-01   | 1                         | 1   | 1   |  |
| 15                | LABEL - INLET           | PVC FILM                 | 418029-04   | 1                         | 1   | 1   |  |
| 16                | LABEL - OUTLET          | PVC FILM                 | 418029-05   | 1                         | 1   | 1   |  |
| 17                | INSTRUCTION SHEET       | PVC FILM                 | 466363-01   | 1                         | 1   | 1   |  |
|                   |                         |                          |             |                           |     |     |  |
|                   |                         |                          |             |                           |     |     |  |
|                   |                         |                          |             |                           |     |     |  |
|                   |                         |                          |             |                           |     |     |  |
|                   |                         |                          |             |                           |     |     |  |
|                   |                         |                          |             |                           |     |     |  |
|                   |                         |                          |             |                           |     |     |  |
|                   |                         |                          |             |                           |     |     |  |
|                   |                         |                          |             |                           |     |     |  |
|                   |                         |                          |             |                           |     |     |  |
|                   |                         |                          |             |                           |     |     |  |
|                   |                         |                          |             |                           |     |     |  |
|                   |                         |                          |             |                           |     |     |  |
|                   |                         |                          |             |                           |     |     |  |



HA

| MODEL : AM-150BWF |                      | TITLE : H. THERMOSTAT ASSY |             |              |     |     |  |
|-------------------|----------------------|----------------------------|-------------|--------------|-----|-----|--|
| INDEX NO.         | DESCRIPTION          | MATERIAL OR MODEL NUMBER   | PART NUMBER | REQ'D NUMBER |     |     |  |
|                   |                      |                            |             | N-1          | P-1 | P-2 |  |
| 1                 | BIN THERMOSTAT       | -                          | 3X8484G01   | 1            | 1   | 1   |  |
| 2                 | BAG                  | PVC                        | 4X1559-02   | 1            | 1   | 1   |  |
| 3                 | BRACKET - THERMOSTAT | G.S                        | 4Y0789-01   | 1            | 1   | 1   |  |
|                   |                      |                            |             |              |     |     |  |
|                   |                      |                            |             |              |     |     |  |
|                   |                      |                            |             |              |     |     |  |
|                   |                      |                            |             |              |     |     |  |
|                   |                      |                            |             |              |     |     |  |
|                   |                      |                            |             |              |     |     |  |
|                   |                      |                            |             |              |     |     |  |
|                   |                      |                            |             |              |     |     |  |
|                   |                      |                            |             |              |     |     |  |
|                   |                      |                            |             |              |     |     |  |
|                   |                      |                            |             |              |     |     |  |
|                   |                      |                            |             |              |     |     |  |
|                   |                      |                            |             |              |     |     |  |
|                   |                      |                            |             |              |     |     |  |
|                   |                      |                            |             |              |     |     |  |
|                   |                      |                            |             |              |     |     |  |
|                   |                      |                            |             |              |     |     |  |
|                   |                      |                            |             |              |     |     |  |
|                   |                      |                            |             |              |     |     |  |
|                   |                      |                            |             |              |     |     |  |
|                   |                      |                            |             |              |     |     |  |
|                   |                      |                            |             |              |     |     |  |
|                   |                      |                            |             |              |     |     |  |
|                   |                      |                            |             |              |     |     |  |
|                   |                      |                            |             |              |     |     |  |
|                   |                      |                            |             |              |     |     |  |
|                   |                      |                            |             |              |     |     |  |
|                   |                      |                            |             |              |     |     |  |
|                   |                      |                            |             |              |     |     |  |
|                   |                      |                            |             |              |     |     |  |
|                   |                      |                            |             |              |     |     |  |
|                   |                      |                            |             |              |     |     |  |

