



# HOSHIZAKI

## Parts List

### Storage Bin

#### Models

B-250PF	B-300SF
B-300PF	B-500SF
B-500PF	B-700SF
B-700PF	B-800SF
B-800PF	B-900SF
B-900PF	BD-300SF
BD-300PF	BD-500SF
BD-500PF	



## CONTENTS

Auxiliary Codes.....	3
Note About Ordering Parts .....	6
A. Storage Bin.....	7
B. Accessories & Labels .....	10

## Auxiliary Codes

### B-250PF

L-5 August 2001  
M-5 February 2002  
N-5 December 2002  
P-5 December 2003  
Q-5 December 2004  
R-5 December 2005  
S-5 January 2007  
T-5 January 2008  
U-5 January 2009  
V-5 January 2010  
A-5 January 2011  
B-5 January 2012  
C-5 January 2013  
D-5 January 2014  
E-5 January 2015  
E-6 August 2015  
F-5 January 2016  
G-5 January 2014

### B-300PF

L-5 July 2001  
M-5 December 2001  
N-5 December 2002  
P-5 December 2003  
Q-5 December 2004  
R-5 December 2005  
S-5 January 2007  
T-5 January 2008  
U-5 January 2009  
V-5 January 2010  
A-5 January 2011  
B-5 January 2012  
C-5 January 2013  
D-5 January 2014  
D-6 March 2014  
E-5 January 2015  
E-6 August 2015  
F-5 January 2016  
G-5 January 2017

### BD-300PF

A-5 April 2011  
D-5 April 2014  
E-5 February 2015  
E-6 October 2015  
F-5 May 2016  
G-5 January 2017

### B-500PF

L-5 June 2001  
M-5 December 2001  
N-5 December 2002  
P-5 December 2003  
Q-5 December 2004  
R-5 December 2005  
S-5 January 2007  
T-5 January 2008  
U-5 January 2009  
V-5 January 2010  
A-5 January 2011  
B-5 January 2012  
C-5 January 2013  
D-5 January 2014  
E-5 January 2015  
E-6 August 2015  
F-5 January 2016  
G-5 January 2017

### BD-500PF

A-5 July 2011  
B-5 April 2015  
C-5 April 2013  
D-5 January 2014  
E-5 January 2015  
E-6 September 2015  
F-5 February 2016  
G-5 January 2017

### B-700PF

L-5 June 2001  
M-5 December 2001  
N-5 December 2002  
P-5 December 2003  
Q-5 December 2004  
R-5 December 2005  
S-5 January 2007  
T-5 January 2008  
U-5 January 2009  
V-5 January 2010  
A-5 January 2011  
B-5 January 2012  
C-5 January 2013  
D-5 January 2014  
E-5 January 2015  
E-6 August 2015  
F-5 January 2016  
G-5 January 2017

### B-800PF

L-5 June 2001  
M-5 December 2001  
N-5 December 2002  
P-5 December 2003  
Q-5 December 2004  
R-5 December 2005  
S-5 January 2007  
T-5 January 2008  
U-5 January 2009  
V-5 January 2010  
A-5 January 2011  
B-5 January 2012  
C-5 January 2013  
D-5 January 2014  
E-5 January 2015  
E-6 August 2015  
F-5 January 2016  
G-5 January 2017

### B-900PF

L-5 June 2001  
M-5 December 2001  
N-5 December 2002  
P-5 January 2004  
Q-5 December 2004  
R-5 December 2005  
S-5 January 2007  
T-5 January 2008  
U-5 January 2009  
V-5 January 2010  
A-5 January 2011  
B-5 January 2012  
C-5 January 2013  
D-5 January 2014  
E-5 January 2015  
E-6 August 2015  
F-5 January 2016  
G-5 January 2017

## Auxiliary Codes Continued

### **B-300SF**

L-5 June 2001  
M-5 December 2001  
N-5 December 2002  
P-5 December 2003  
Q-5 December 2004  
R-5 December 2005  
S-5 January 2007  
T-5 January 2008  
U-5 January 2009  
V-5 February 2010  
A-5 January 2011  
B-5 January 2012  
C-5 January 2013  
D-5 January 2014  
D-6 February 2014  
E-5 January 2015  
E-6 August 2015  
F-5 January 2016  
G-5 January 2017

### **BD-300SF**

A-5 April 2011  
D-5 April 2014  
E-5 February 2015  
E-6 October 2015  
F-5 October 2016  
G-5 February 2017

### **B-500SF**

L-5 June 2001  
M-5 December 2001  
N-5 December 2002  
P-5 December 2003  
Q-5 December 2004  
R-5 December 2005  
S-5 January 2007  
T-5 January 2008  
U-5 January 2009  
V-5 January 2010  
A-5 January 2011  
B-5 January 2012  
C-5 January 2013  
D-5 January 2014  
E-5 January 2015  
E-6 August 2015  
F-5 January 2016  
G-5 January 2017

### **BD-500SF**

A-5 April 2011  
B-5 March 2012  
C-5 May 2013  
D-5 February 2014  
E-5 May 2015  
E-6 August 2015  
F-5 June 2016  
G-5 March 2017

### **B-700SF**

L-5 September 2001  
M-5 December 2001  
N-5 December 2002  
P-5 December 2003  
Q-5 December 2004  
R-5 December 2005  
S-5 January 2007  
T-5 January 2008  
U-5 January 2009  
V-5 January 2010  
A-5 January 2011  
B-5 January 2012  
C-5 January 2013  
D-5 January 2014  
E-5 January 2015  
E-6 August 2015  
F-5 January 2016  
G-5 January 2017

### **B-800SF**

L-5 September 2001  
M-5 December 2001  
N-5 December 2002  
P-5 December 2003  
Q-5 December 2004  
R-5 December 2005  
S-5 January 2007  
T-5 January 2008  
U-5 January 2009  
V-5 January 2010  
A-5 January 2011  
B-5 January 2012  
C-5 January 2013  
D-5 January 2014  
E-5 January 2015  
E-6 August 2015  
F-5 January 2016  
G-5 January 2017

## **Auxiliary Codes Continued**

### **B-900SF**

L-5	June 2001
M-5	December 2001
N-5	January 2003
P-5	December 2003
Q-5	December 2004
R-5	December 2005
S-5	January 2007
T-5	January 2008
U-5	January 2009
V-5	January 2010
A-5	January 2011
B-5	January 2012
C-5	January 2013
D-5	January 2014
E-5	January 2015
E-6	August 2015
F-5	January 2016
G-5	January 2017

## **Auxiliary Code Breakdown**

The auxiliary code is the first two characters in the serial number. The first character indicates the year. Years progress or regress in alphabetical order. The series runs from "A" through "V" and the letters "I" and "O" are skipped. The second character indicates significant part changes within a year. Base is "5" and this number advances for each change. In cases where there is a letter in parentheses, this designates the month. This is the last character in the serial number. The series runs from "(A)" through "(M)" and the letter "(I)" is skipped. This designation is only included when identifying a parts change within an auxiliary code.

---

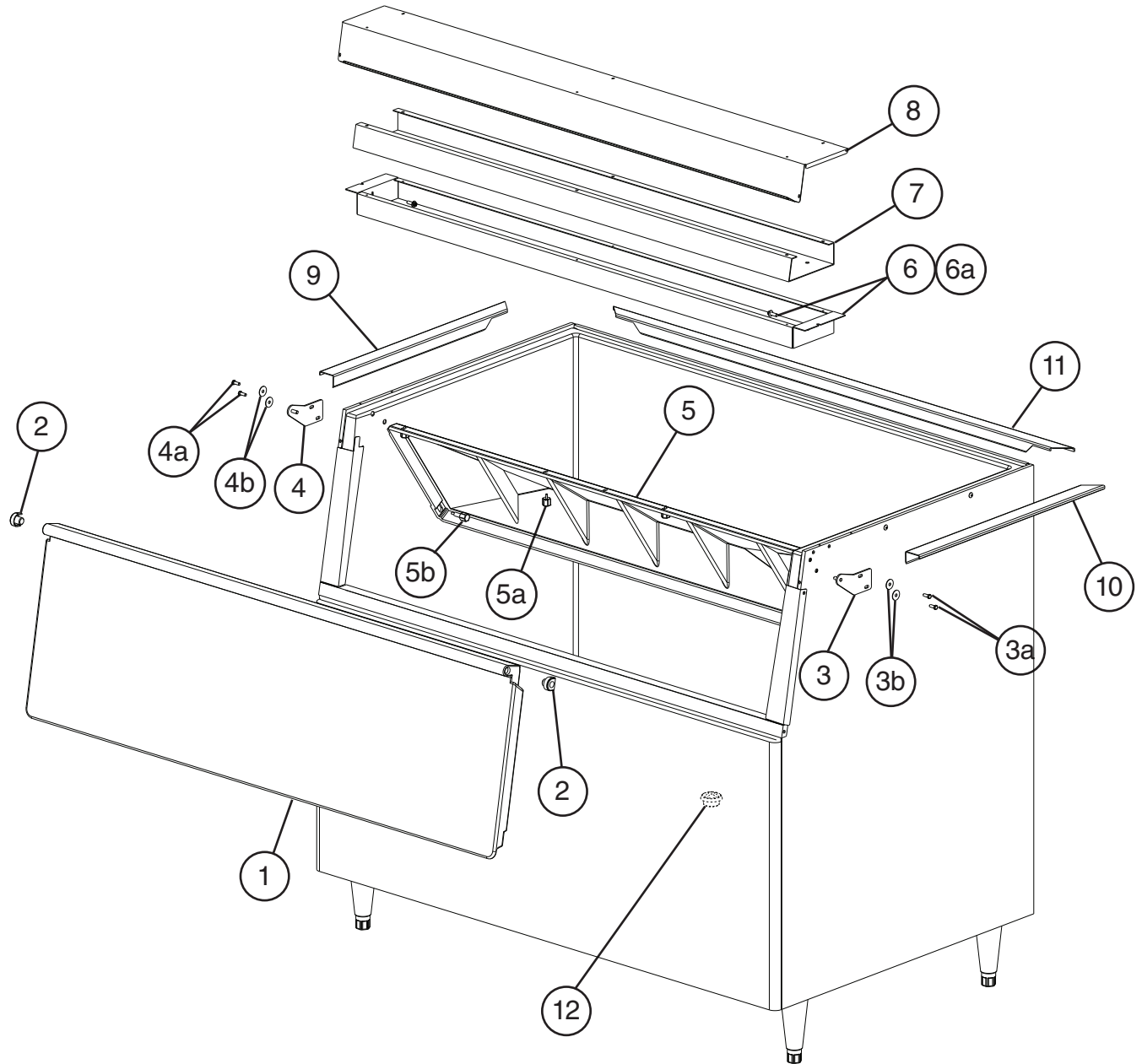
## **Note About Ordering Parts**

Most assemblies cannot be ordered as complete units; parts in the assemblies generally must be ordered separately.

**A. Storage Bin**

**B-\_\_\_PF, BD-\_\_\_PF, B-\_\_\_SF, BD-\_\_\_SF**

L-5 to G-5



**Model Shown: B-900PF**

Title: A.Storage Bin Model: B-___PF, BD-___PF, B-___SF, BD-___SF												
Index No.	Description	Material or Model Number	Part Number	Required Number								
				L-5 to U-5 (C)	U-5 (D) to V-5	A-5 to D-5	D-6 to G-5					
1	Bin Door (includes item 2)	B-250PF	HS-2144	1	1	1	1					
		B-500PF/SF										
		BD-500PF/SF				1	1					
		B-300PF/SF	HS-2143	1	1	1	1					
		BD-300PF/SF				1	1					
		B-700PF/SF	HS-2140	1	1	1	1					
B-800PF/SF	HS-2141	1	1	1	1							
B-900PF/SF	HS-2142	1	1	1	1							
2	Bushing		4A2582-01	2	-							
			4A3914-01		2	2	2					
3	Right Hinge		3A0105G01	1	-							
			3A3725G01		1	1	1					
3a	Hex Head Bolt	5x14, SS	7B02-0514	2	2	2	2					
3b	Washer		4A0198-01	2	2	2	2					
4	Left Hinge		3A0106G01	1	-							
			3A3726G01		1	1	1					
4a	Hex Head Bolt	5x14, SS	7B02-0514	2	2	2	2					
4b	Washer		4A0198-01	2	2	2	2					
5	Baffle	B-250PF	104322-01	1	1	1	1					
		B-500PF/SF										
		BD-500PF/SF				1	1					
		B-300PF/SF	104391-01	1	1	1	1					
		BD-300PF/SF				1	1					
		B-700PF/SF	104323-01	1	1	1	1					
B-800PF/SF	105012-01	1	1	1	1							
B-900PF/SF	104324-02	1	1	1	1							
5a	Thumbscrew	B-250PF	415949G12	2	2	2	2					
		B-300PF/SF										
		BD-300PF/SF										
		B-500PF/SF										
BD-500PF/SF												
B-700PF/SF			3	3	3	3						
B-800PF/SF			4	4	4	4						
B-900PF/SF												
5b	Thumbscrew		434168G01	2	2	2	2					
6	Front Frame	B-250PF	3A0420-01	1	1	1	1					
		B-500PF/SF										
		B-300PF/SF	3A8180-01				1					
		BD-300PF/SF	3A6594-01			1	1					
		BD-500PF/SF	3A6594-02			1	1					
		B-700PF/SF	3A0446-01	1	1	1	1					
B-800PF/SF	3A0447-01	1	1	1	1							
B-900PF/SF	3A0447-02	1	1	1	1							
6a	Hex Head Tapping Screw		7B03I0834	2	2	2	2					

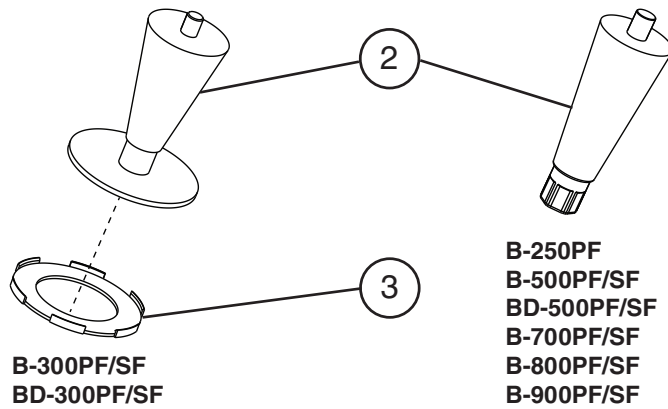
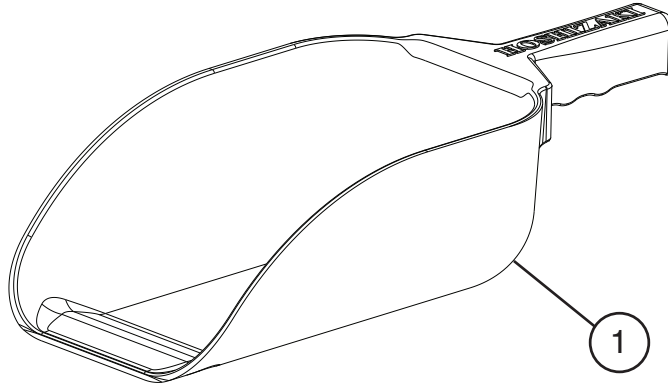


Title: A.Storage Bin Model: B-___PF, BD-___PF, B-___SF, BD-___SF											
Index No.	Description	Material or Model Number	Part Number	Required Number							
				L-5 to U-5 (C)	U-5 (D) to V-5	A-5 to D-5	D-6 to G-5				
7	Front Frame Cover	B-250PF B-500PF/SF	324625-01	1	1	1	1				
		B-300PF/SF	324617-01	1	1	1	1				
		B-700PF/SF	3A0155-01	1	1	1	1				
		B-800PF/SF	325510-01	1	1	1	1				
		B-900PF/SF	324619-01	1	1	1	1				
8	Top Cover	B-250PF B-500PF/SF	3A0157-01	1	1	1	1				
		B-300PF/SF	3A0156-01	1	1	1	-				
			3A8189-01				1				
		BD-300PF/SF	3A6538-01			1	1				
		BD-500PF/SF	3A6537-01			1	1				
		B-700PF/SF	3A0158-01	1	1	1	1				
		B-800PF/SF	2A0106-01	1	1	1	1				
9	Right Bin Cap	B-250PF B-300PF/SF B-500PF/SF B-700PF/SF B-800PF/SF B-900PF/SF	3A7473-01				1				
		B-250PF B-300PF/SF B-500PF/SF B-700PF/SF B-800PF/SF B-900PF/SF	3A7474-01				1				
11	Back Bin Cap	B-250PF B-500PF/SF	3A7475-02				1				
		B-300PF/SF	3A7475-01				1				
		B-700PF/SF	3A7475-03				1				
		B-800PF/SF	3A7475-05				1				
		B-900PF/SF	3A7475-04				1				
12	Drain Cap		322015-01	1	1	1	1				

## B. Accessories & Labels

B-\_\_\_PF, BD-\_\_\_PF, B-\_\_\_SF, BD-\_\_\_SF

L-5 to G-5



Title: B. Accessories & Labels Model: B-___PF, BD-___PF, B-___SF, BD-___SF										
Index No.	Description	Material or Model Number	Part Number	L-5 to G-5	Required Number					
1	Scoop		4A2246-01	1						
2	Leg	B-300PF/SF BD-300PF/SF	4A2526-01	4						
		B-250PF B-500PF/SF BD-500PF/SF B-700PF/SF B-800PF/SF B-900PF/SF	4A2525-01	4						
3	Leg Protector	B-300PF/SF BD-300PF/SF	3A0134-01	4						