

Hoshizaki America, Inc.

Commercial Series Refrigerated Kitchen Equipment

Models

CR1A-FS

CR1A-HS

CF1A-FS

CF1A-HS



“A Superior Degree
of Reliability”

www.hoshizaki.com

PARTS LIST



Number: 71307
Issued: 5-5-2010
Revised: 5-17-2010

CONTENTS

Auxiliary Codes.....	3
Note About Ordering Parts	3
Material Abbreviations	4
A. Reach-In Assembly.....	5
CR1A-FS.....	5
CR1A-HS.....	7
CF1A-FS	9
CF1A-HS.....	11
B. Refrigeration Circuit.....	13
CR1A-FS, CR1A-HS	13
CF1A-FS, CF1A-HS	17
C. Control Box Assembly	21
D. Reservoir Assembly.....	23
E. Front Panel Assembly.....	24
F. Interior Group	25
G. Door-Right.....	27
Full Solid: CR1A-FS, CF1A-FS.....	27
Half Solid: CR1A-HS, CF1A-HS	28
H. Accessories & Packaging.....	29

Auxiliary Codes

CR1A-FS	U-5	September 2009
	V-5	February 2010
CR1A-HS	V-5	February 2010
CF1A-FS	U-5	October 2009
	V-5	February 2010
CF1A-HS	V-5	February 2010

Auxiliary Code Breakdown

The auxiliary code is the first two characters in the serial number. The first character indicates the year. Years progress or regress in alphabetical order. The series runs from "A" through "V" and the letters "I" and "O" are skipped. The second character indicates significant part changes within a year. Base is "5" and this number advances for each change.

Note About Ordering Parts

Most assemblies cannot be ordered as complete units; parts in the assemblies generally must be ordered separately.

Material Abbreviations

ALUMINUM

AL = Aluminum

COPPER

CU = Copper

PLASTIC

ABS = Acrylonitrile -butadiene - styrene
AC = Polyacetal
EPP = Expanded Polypropylene
EVA = Ethylene vinyl acetate
PA = Polyamide = Nylon
PC = Polycarbonate
PE = Polyethylene
PES = Polyester
PETP = Polyethylene terephthalate = Tetlon
PP = Polypropylene
PS = Polystyrene
PTFE = Polytetrafluoroethylene = Teflon
PUR = Polyurethane
PVC = Polyvinyl chloride

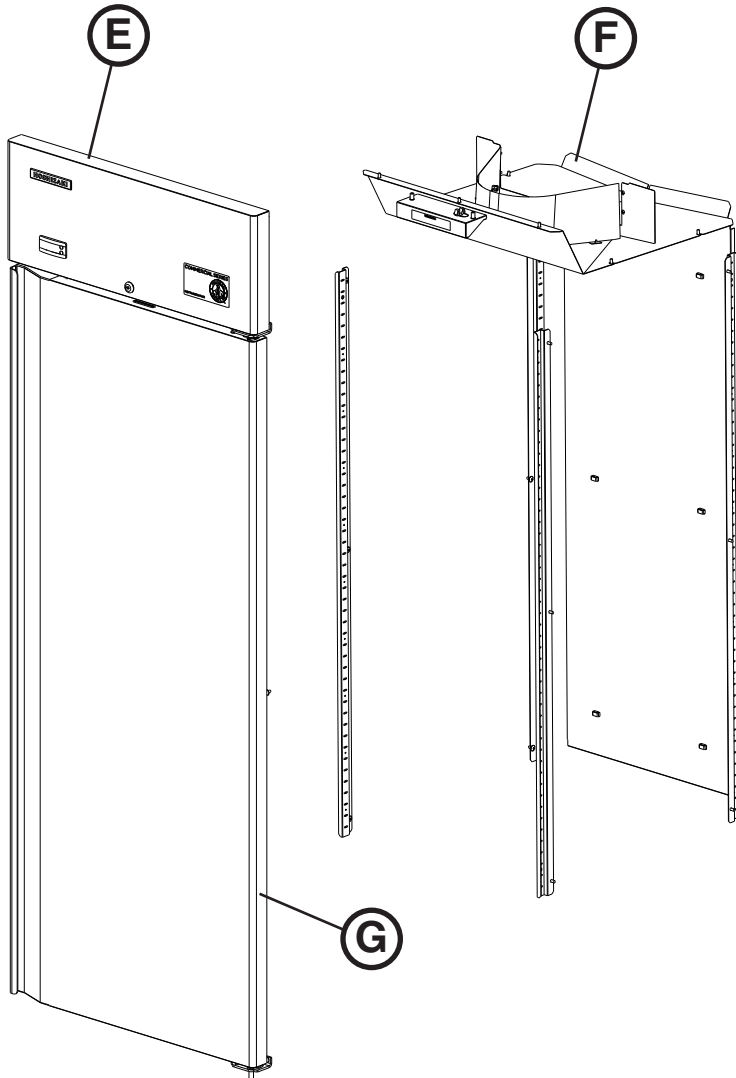
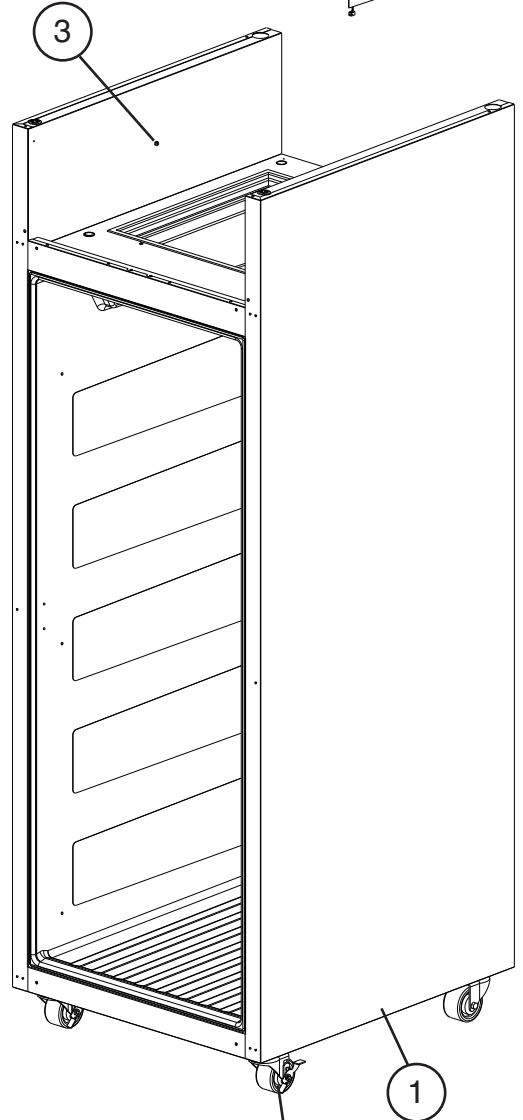
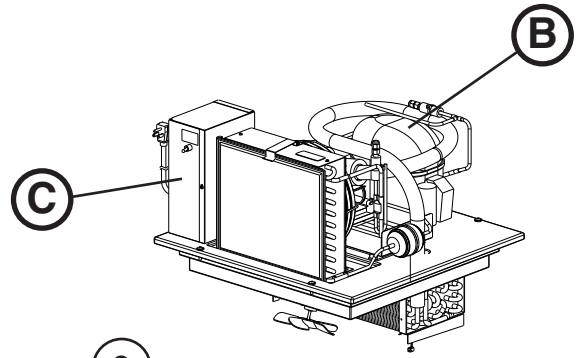
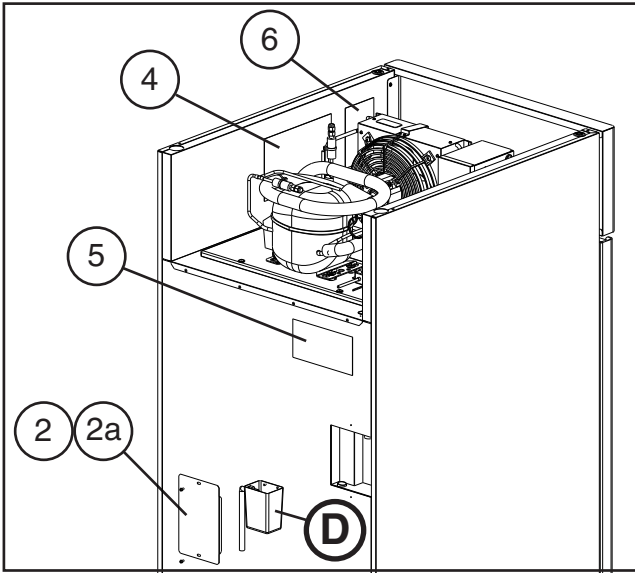
RUBBER

EPDM = EP rubber
EPH = Epichlorohydrin
NBR = Nitrile butadiene rubber
NP = Neoprene
NR = Natural rubber
SI.R = Silicone rubber
SY.R = Synthetic rubber
VN = Vinyl Nitrile

STEEL

GS = Galvanized steel
PAS = Primed steel
PS = Plated steel
SS = Stainless steel

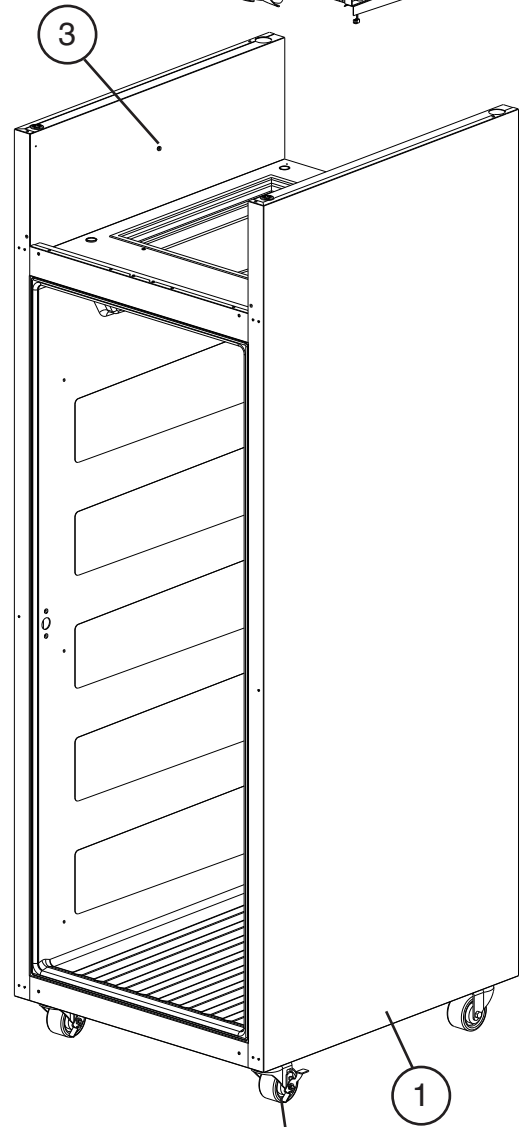
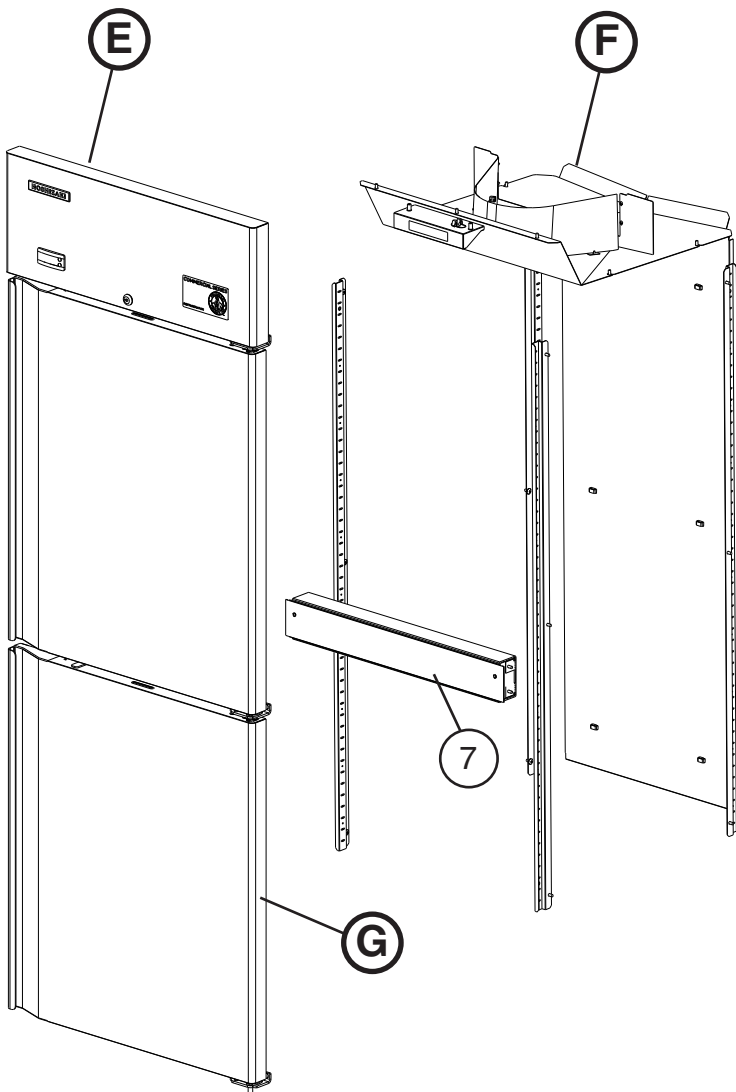
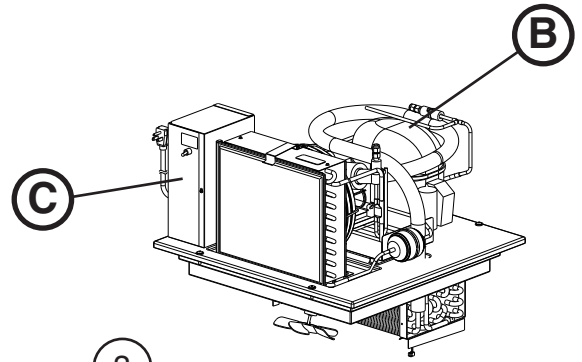
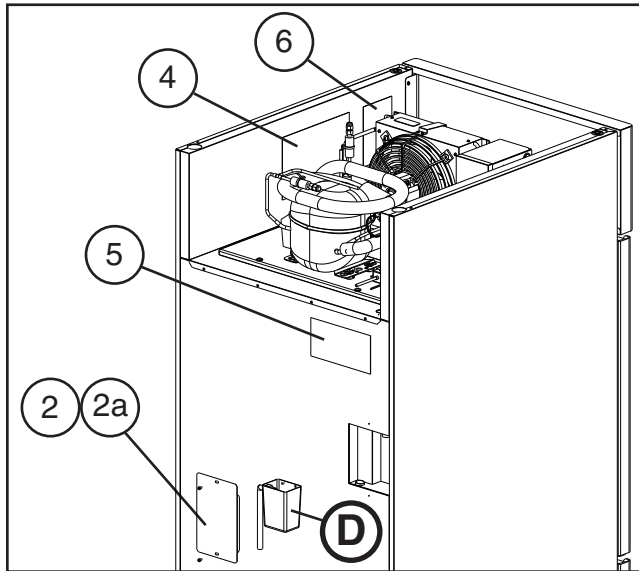
A. Reach-In Assembly
CR1A-FS
U-5, V-5



For casters, see section "H"

Title: A. Reach-In Assembly Model: CR1A-FS												
Index No.	Description	Material or Model Number	Part Number	Required Number								
				U-5 V-5								
B	Refrigeration Circuit (For mounting hardware, see section "B" items 1 and 2)		1A1890A01	1								
C	Control Box Assembly (For mounting hardware, see section "C" item 1)		2A5281A01	1								
D	Reservoir Assembly		3A5566A01	1								
E	Front Panel Assembly (For mounting hardware, see section "E" items 1 and 2)		3A5544A01	1								
F	Interior Group		2A5244A01	1								
G	Door-Right (For mounting hardware, see section "G" items 1 and 2)	Full Solid	2A5221A01	1								
1	Body		2A5203G01	1								
2	Reservoir Cover		3A5555-01	1								
2a	T2 Screw	4x8, SS	7P32-0408	2								
3	Grounding Screw	5x8, BRASS	433304-02	1								
4	Wiring Label		2A5335-01	1								
5	Caution Label		4A1931-01	1								
6	Nameplate		2A5306-01	1								

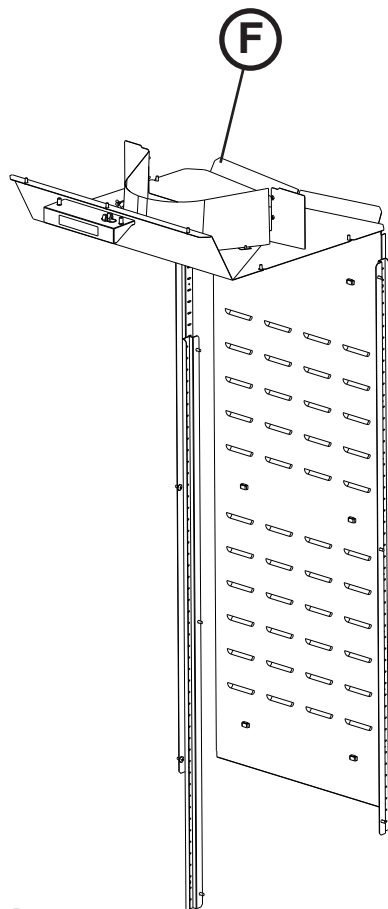
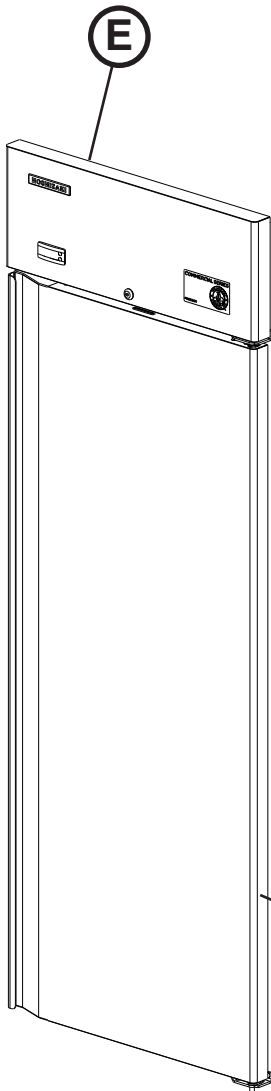
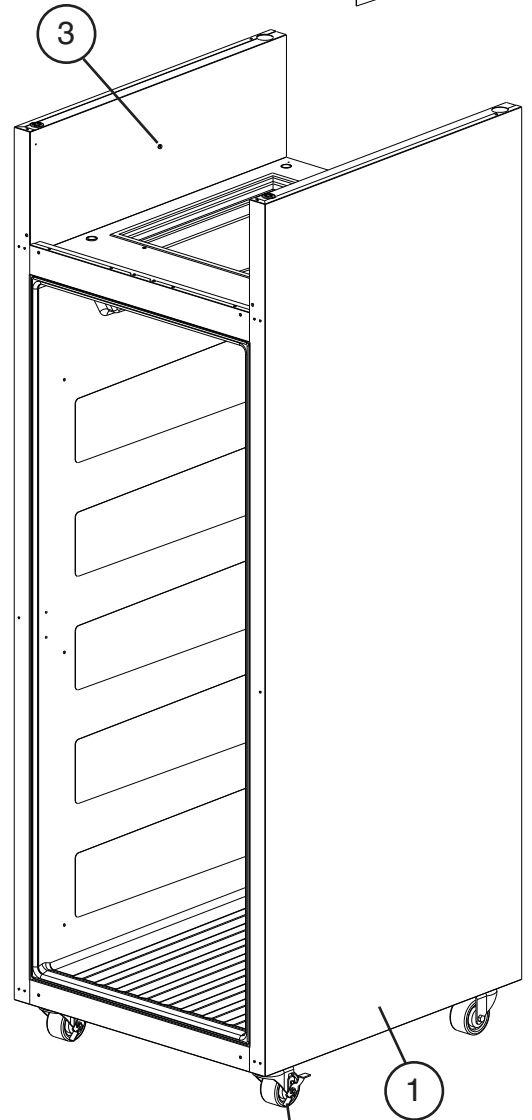
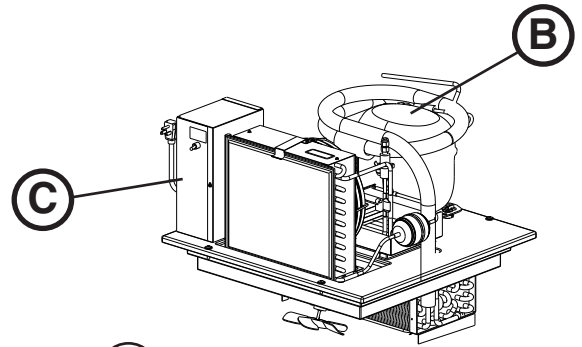
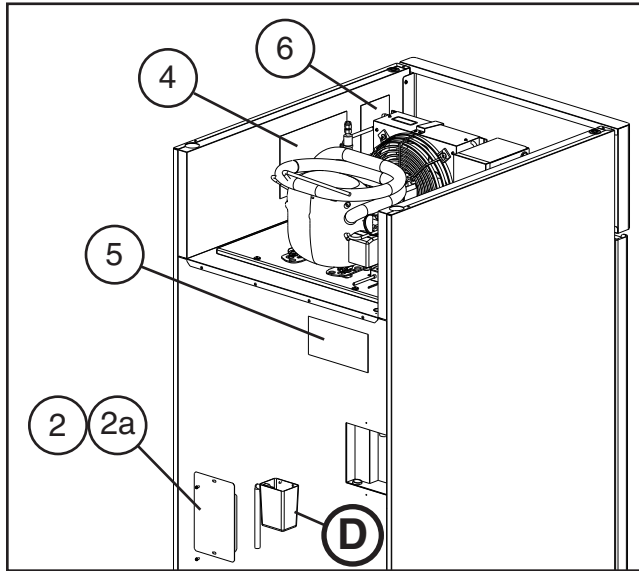
A. Reach-In Assembly
CR1A-HS
V-5



For casters, see section "H"

Title: A. Reach-In Assembly Model: CR1A-HS												
Index No.	Description	Material or Model Number	Part Number	Required Number								
				V-5								
B	Refrigeration Circuit (For mounting hardware, see section "B" items 1 and 2)		1A1890A01	1								
C	Control Box Assembly (For mounting hardware, see section "C" item 1)		2A5903A01	1								
D	Reservoir Assembly		3A5566A01	1								
E	Front Panel Assembly (For mounting hardware, see section "E" items 1 and 2)		3A5544A01	1								
F	Interior Group		2A5244A01	1								
G	Door-Right (For mounting hardware, see section "G" items 1 and 2)	Half Solid	2A5223A01	1								
1	Body		2A5932G01	1								
2	Reservoir Cover		3A5555-01	1								
2a	T2 Screw	4x8, SS	7P32-0408	2								
3	Grounding Screw	5x8, BRASS	433304-02	1								
4	Wiring Label		2A5335-01	1								
5	Caution Label		4A1931-01	1								
6	Nameplate		2A5306-02	1								
7	Mullion		2A5350A01	1								

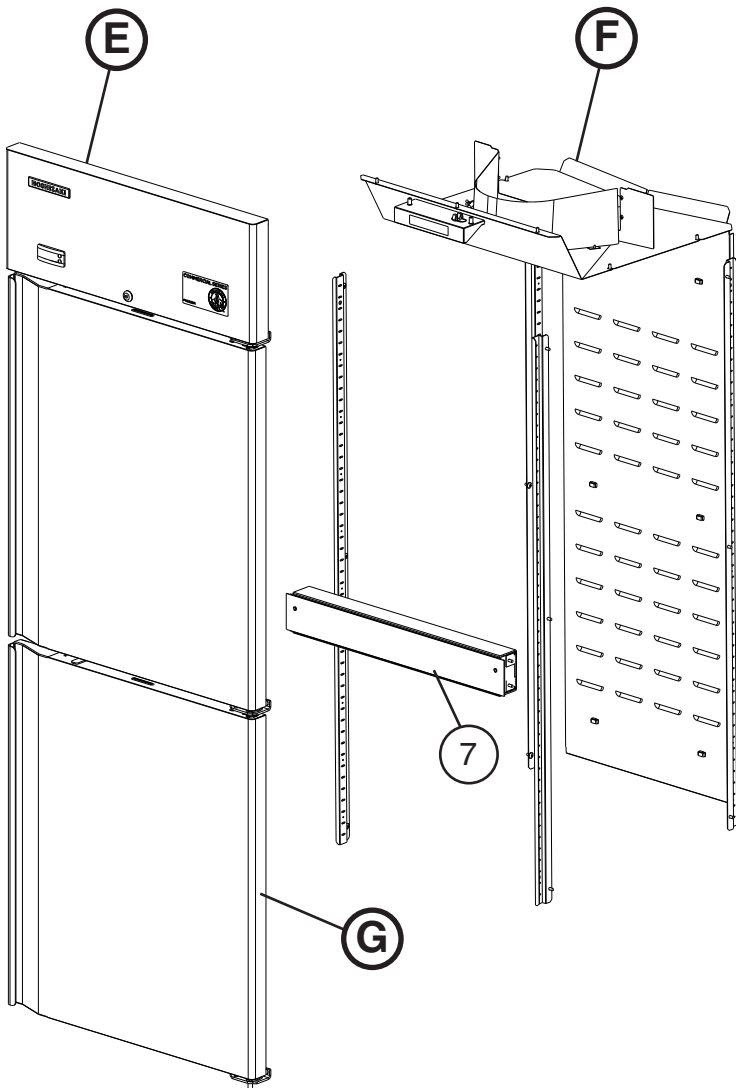
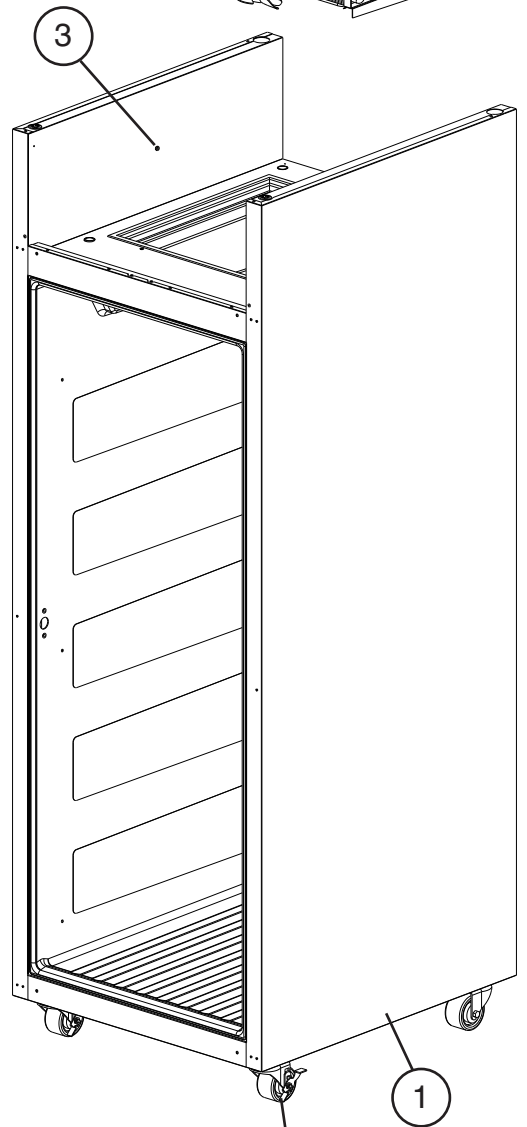
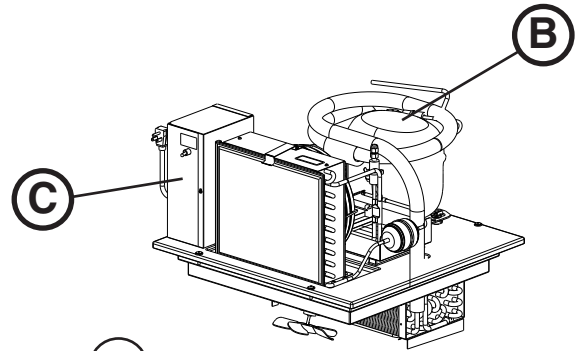
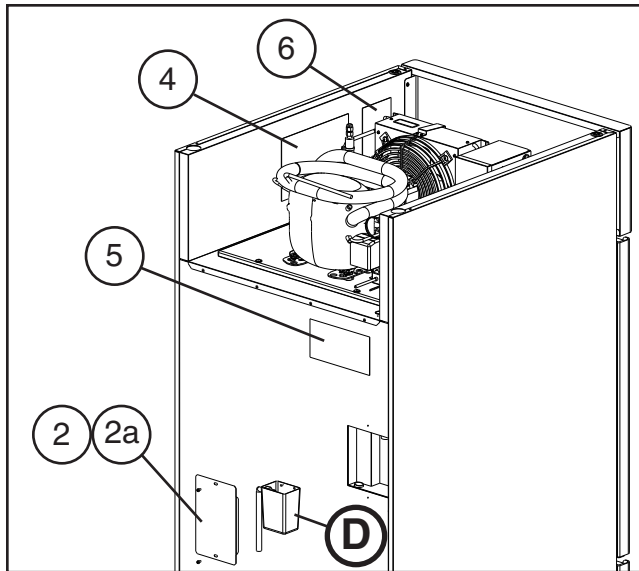
A. Reach-In Assembly
CF1A-FS
U-5, V-5



For casters, see section "H"

Title: A. Reach-In Assembly Model: CF1A-FS												
Index No.	Description	Material or Model Number	Part Number	Required Number								
				U-5 V-5								
B	Refrigeration Circuit (For mounting hardware, see section "B" items 1 and 2)		1A1891A01	1								
C	Control Box Assembly (For mounting hardware, see section "C" item 1)		2A5346A01	1								
D	Reservoir Assembly		3A5566A01	1								
E	Front Panel Assembly (For mounting hardware, see section "E" items 1 and 2)		3A5823A01	1								
F	Interior Group		2A5344A01	1								
G	Door-Right (For mounting hardware, see section "G" items 1 and 2)	Full Solid	2A5221A01	1								
1	Body		2A5865G01	1								
2	Reservoir Cover		3A5555-01	1								
2a	T2 Screw	4x8, SS	7P32-0408	2								
3	Grounding Screw	5x8, BRASS	433304-02	1								
4	Wiring Label		2A5345-01	1								
5	Caution Label		4A1931-01	1								
6	Nameplate		2A5306-03	1								

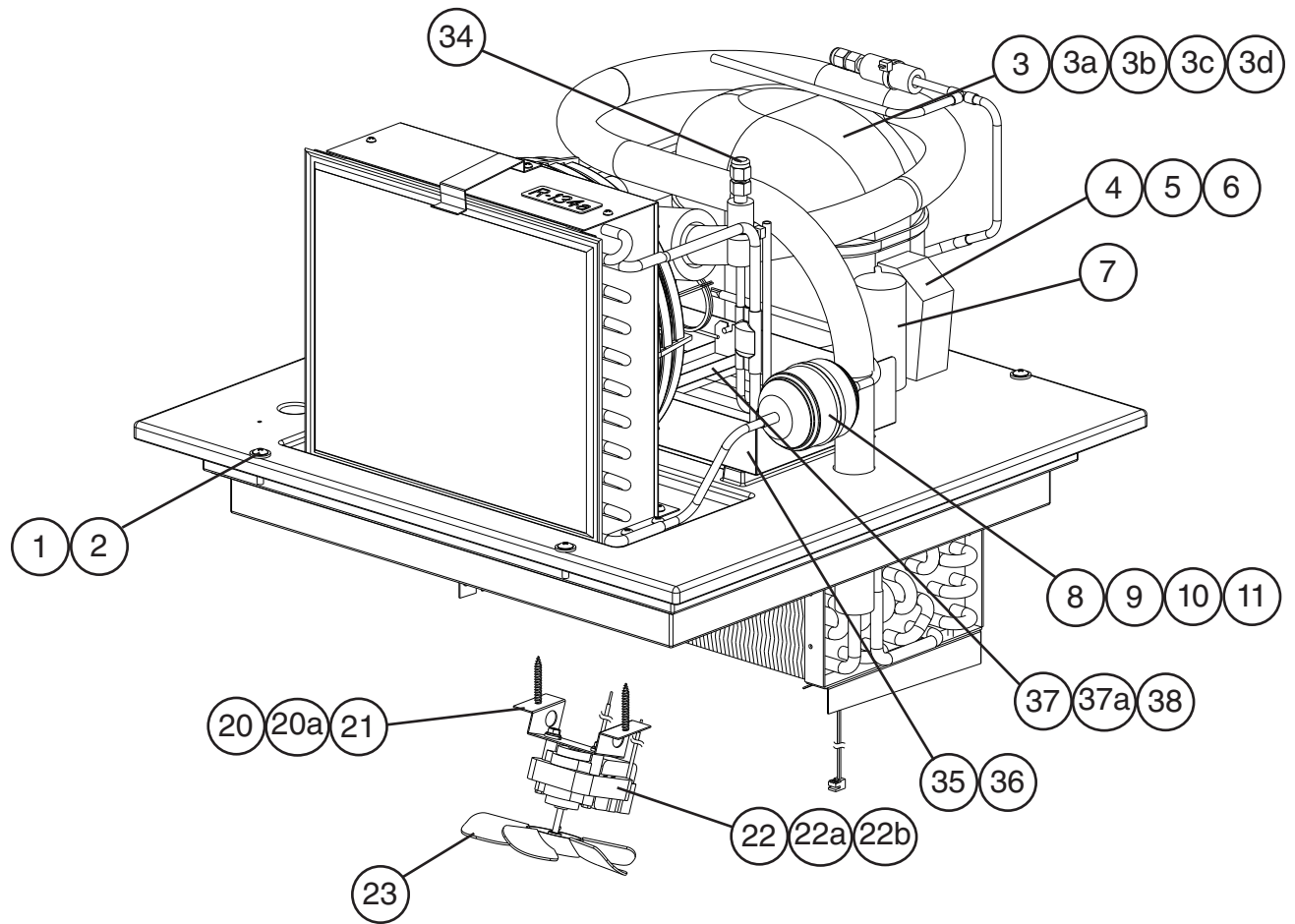
A. Reach-In Assembly
CF1A-HS
 V-5



For casters, see section "H"

Title: A. Reach-In Assembly Model: CF1A-HS												
Index No.	Description	Material or Model Number	Part Number	Required Number								
				V-5								
B	Refrigeration Circuit (For mounting hardware, see section "B" items 1 and 2)		1A1891A01	1								
C	Control Box Assembly (For mounting hardware, see section "C" item 1)		2A5346A01	1								
D	Reservoir Assembly		3A5566A01	1								
E	Front Panel Assembly (For mounting hardware, see section "E" items 1 and 2)		3A5823A01	1								
F	Interior Group		2A5344A01	1								
G	Door-Right (For mounting hardware, see section "G" items 1 and 2)	Half Solid	2A5223A01	1								
1	Body		2A5348G01	1								
2	Reservoir Cover		3A5555-01	1								
2a	T2 Screw	4x8, SS	7P32-0408	2								
3	Grounding Screw	5x8, BRASS	433304-02	1								
4	Wiring Label		2A5345-01	1								
5	Caution Label		4A1931-01	1								
6	Nameplate		2A5306-04	1								
7	Mullion		2A5350A01	1								

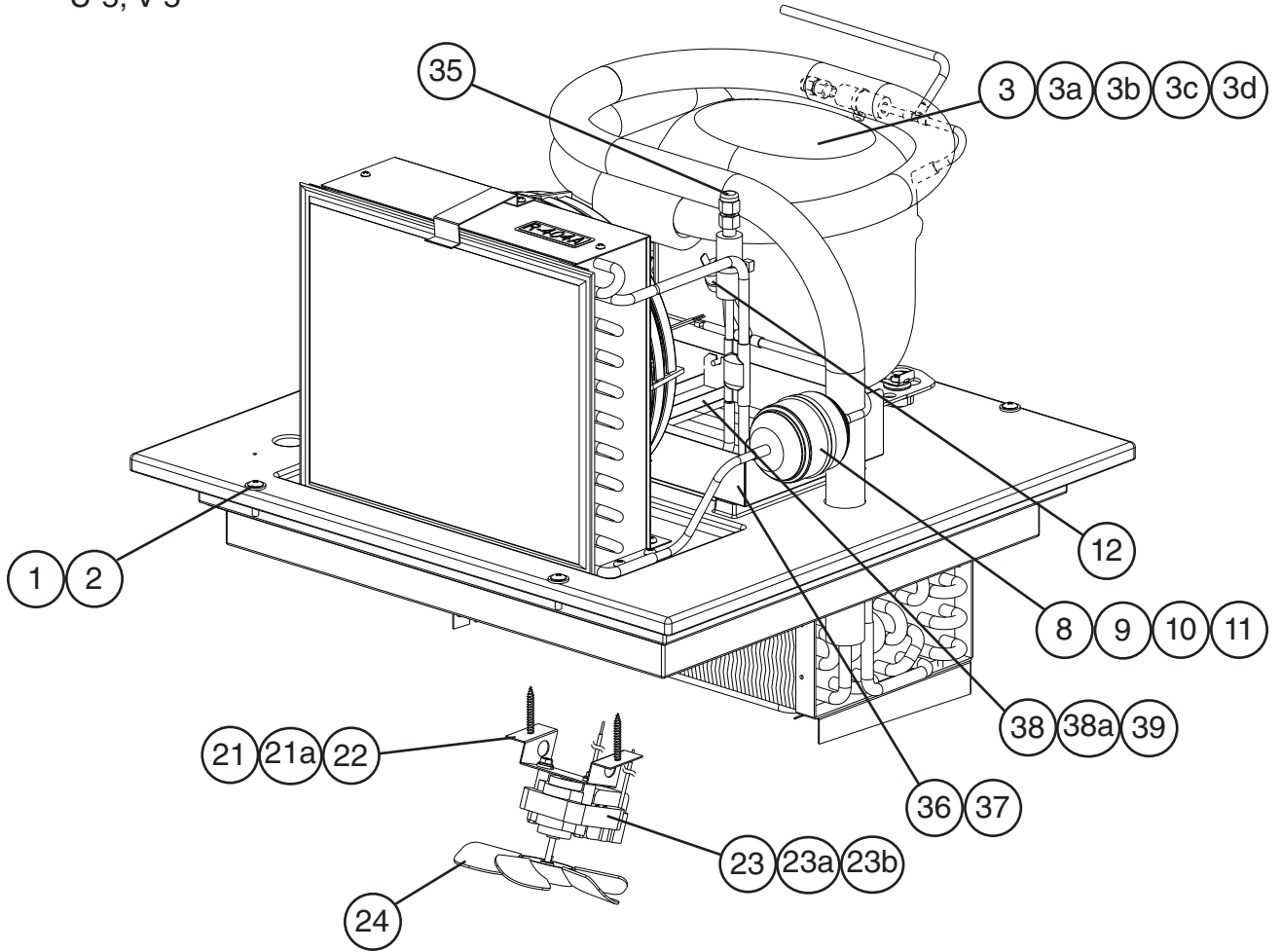
B. Refrigeration Circuit
1/2
CR1A-FS, CR1A-HS
U-5, V-5



Title: B. Refrigeration Circuit Model: CR1A-FS, CR1A-HS												
Index No.	Description	Material or Model Number	Part Number	Required Number								
				U-5	V-5							
1	Truss Head Screw	5x25, SS	7C32-0525	4								
2	Washer		4A0655-03	4								
3	Compressor	NF5.5FX	4A3177-01	1								
3a	Screw	10x3	4A4993-01	4								
3b	Compressor Clip		4A4867-01	4								
3c	Rubber Grommet		4A1452-01	4								
3d	Compressor Mount Insert		4A4875-01	4								
4	Terminal Cover (includes clip)		4A2141-01	1								
5	Cord Relief		4A2152-01	2								
6	Start Relay		4A2135-03	1								
7	Start Capacitor	280MFD, 125/165VAC or 120/150VAC	4A2134-01	1								
8	Condenser-Capillary Assembly (items 9 through 11; order assembly parts individually)		3A5674G01	1								
9	Drier		4A0924-01	1								
10	Nylon Tie		8911-0300	1								
11	Nylon Tie Mount		437618-01	1								
12	Evaporator Assembly (items 12a through 18a; order assembly parts individually)		2A5265G01	1								
12a	Screw		4A4993-02	2								
13	Evaporator		2A5183-01	1								
14	Defrost Thermistor		4A4865-02	1								
15	Thermistor Tie Clip		4A3248G01	1								
16	Nylon Tie		8911-0150	1								
17	Evaporator Bracket		3A5492-01	2								
18	Evaporator Drain Bracket		3A5495-01	1								
18a	T2 Screw	4x8, SS	7P32-0408	4								
19	Evaporator Mount Bracket		3A5493-01	2								
19a	Screw		4A4993-02	4								
20	Evaporator Fan Assembly (items 20a through 23; order assembly parts individually)		3A5590A01	1								
20a	Screw		4A4993-02	2								
21	Fan Motor Bracket	SS	4A4935-01	1								
22	Evaporator Fan Motor		4A4942-01	1								
22a	Split Lock Washer	No. 8, SS	7L2210832	2								
22b	Hex Nut	No. 8-33, SS	7N0210832	2								
23	Evaporator Fan Blade		4A4943-01	1								
24	Condenser Assembly (items 24a through 31a; order assembly parts individually)		2A5260A01	1								
24a	Screw		4A4993-02	6								
25	Condenser		2A5182-01	1								
26	Condenser Shroud	GS	2A5263-01	1								
26a	T2 Screw	4x8, SS	7P32-0408	6								

Title: B. Refrigeration Circuit Model: CR1A-FS, CR1A-HS										
Index No.	Description	Material or Model Number	Part Number	Required Number						
				U-5	V-5					
27	Condenser Fan Motor (includes fan blade mounting bolt)		4A4869-01	1						
27a	Self-Locking Nut	No.8-32	7N2110832	4						
28	Condenser Fan Blade		3A5817-01	1						
29	Condenser Fan Guard		2A5187-01	1						
29a	Truss Head Screw	5x12, SS	7C32-0512	4						
30	Air Filter		3A0277-01	1						
31	Air Filter Retainer	SS	4A0790-02	1						
31a	T2 Screw	4x8, SS	7P32-0408	2						
32	R-134a Label		444463-01	1						
33	Process Assembly (1 of item 34; order assembly parts individually)		3A5597G01	1						
34	Access Valve		457729-01	2						
35	Condensate Pan Assembly (items 36 through 39; order assembly parts individually)		2A5337A01	1						
36	Condensate Pan		2A5218-01	1						
37	Condensate Coil Strap		3A5672-01	1						
37a	T2 Screw	4x8, SS	7P32-0408	2						
38	Condensate Coil Gasket		4A0455-04	1						
39	Condensate Pump (includes 3mm ID x 625mm suction hose and 6mm ID x 375mm discharge hose)		4A5111-01	1						
39a	T2 Screw	4x20, SS	7P32-0420	2						
40	Capillary Tube/Suction Tube (Heat Exchanger)		2A5285G01	1						
41	Refrigeration Circuit Base	EPP	2A5184-01	1						
42	Cable Tie Mount		437618-01	1						
43	Nylon Tie		8911-0150	1						

B. Refrigeration Circuit
1/2
CF1A-FS, CF1A-HS
U-5, V-5

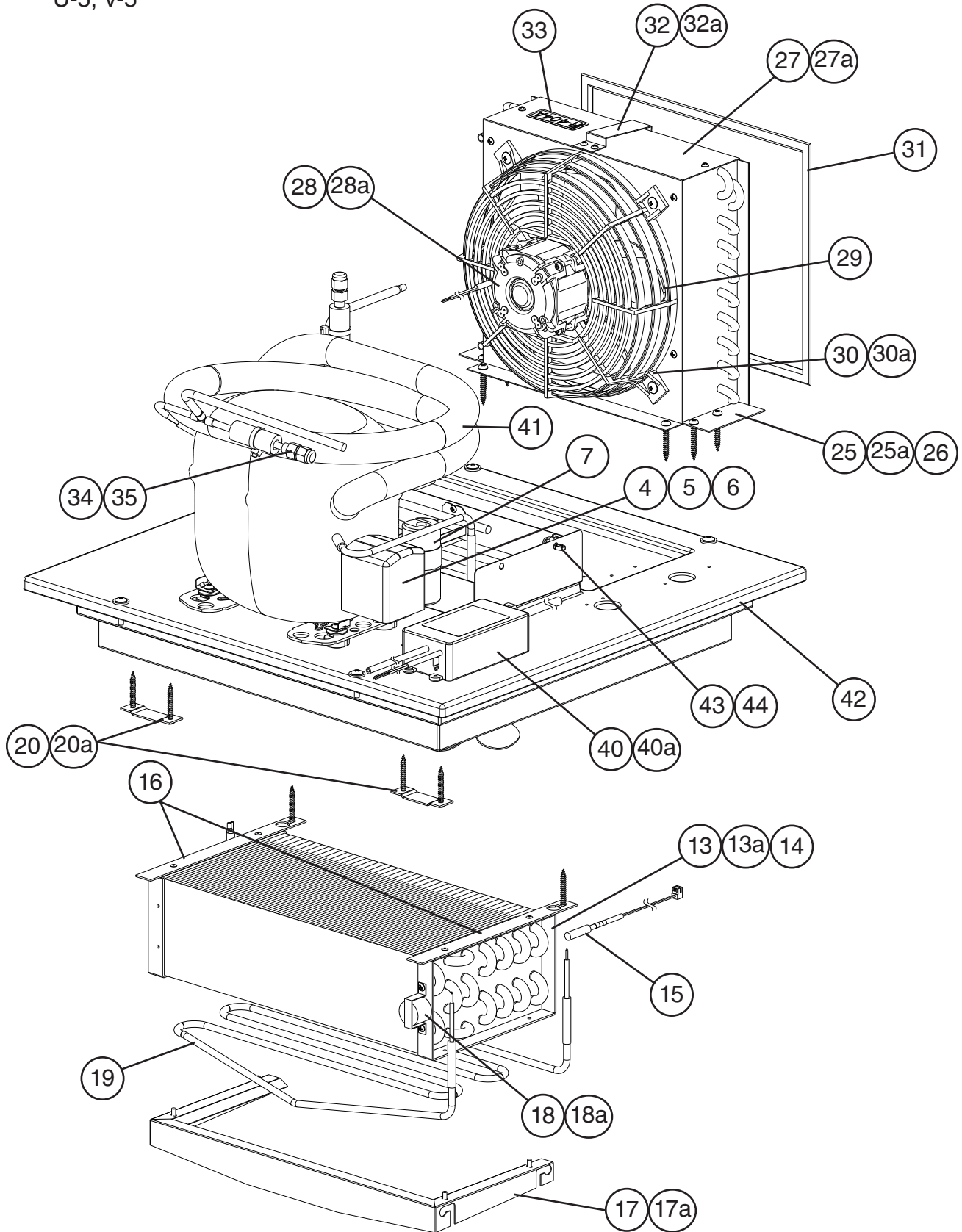


B. Refrigeration Circuit

2/2

CF1A-FS, CF1A-HS

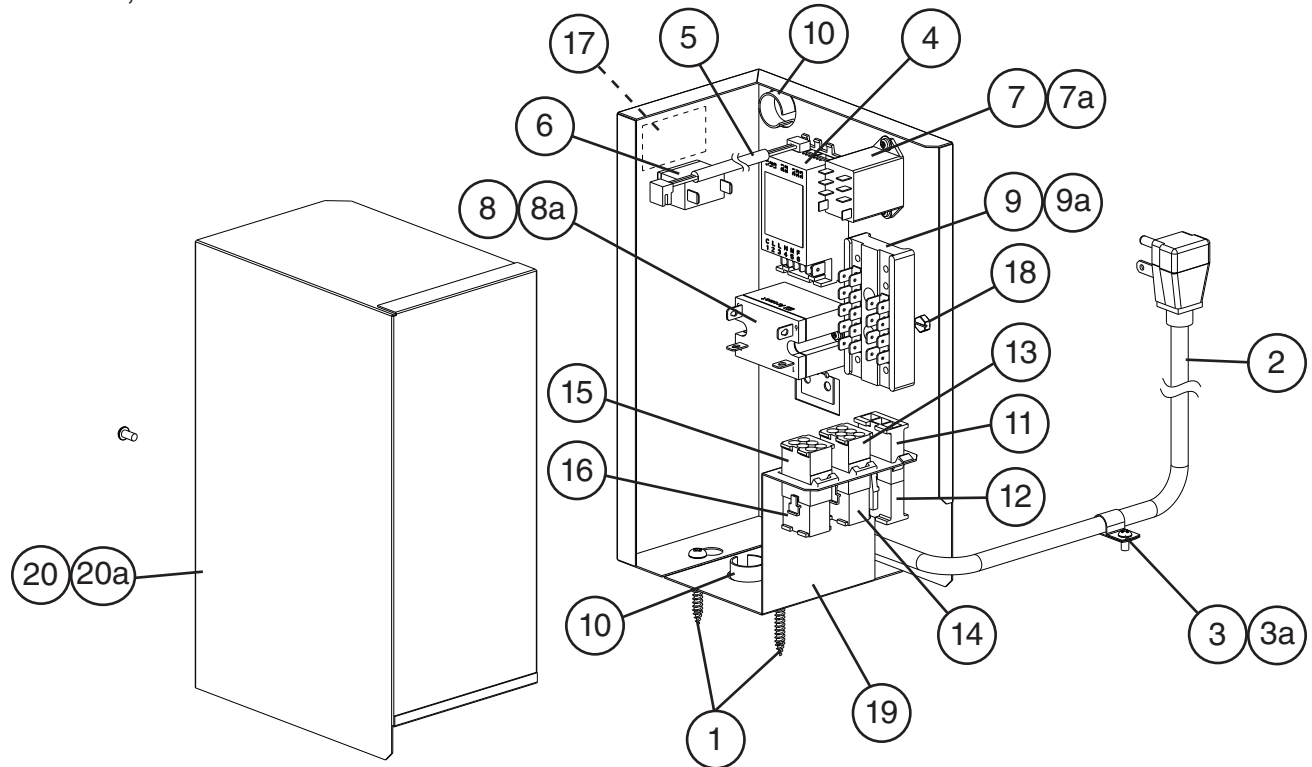
U-5, V-5



Title: B. Refrigeration Circuit Model: CF1A-FS, CF1A-HS												
Index No.	Description	Material or Model Number	Part Number	Required Number								
				U-5	V-5							
1	Truss Head Screw	5x25, SS	7C32-0525	4								
2	Washer		4A0655-03	4								
3	Compressor	SC12CLX.2	4A3808-01	1								
3a	Screw	10x3	4A4993-01	4								
3b	Compressor Clip		4A4867-01	4								
3c	Rubber Grommet		4A1452-01	4								
3d	Compressor Mount Insert		4A4875-01	4								
4	Terminal Cover		4A3112-01	1								
5	Cord Relief		4A1454-01	2								
6	Start Relay		4A3113-01	1								
7	Start Capacitor	240MFD, 125/165VAC or 120/150VAC	4A2134-03	1								
8	Condenser-Capillary Assembly (items 9 through 12; order assembly parts individually)		3A5786G01	1								
9	Drier		4A0924-01	1								
10	Nylon Tie		8911-0300	1								
11	Nylon Tie Mount		437618-01	1								
12	Pressure Switch		4A2516-02	1								
13	Evaporator Assembly (items 13a through 19; order assembly parts individually)		2A5377G01	1								
13a	Screw		4A4993-02	2								
14	Evaporator		2A5183-01	1								
15	Defrost Thermistor		4A4865-01	1								
16	Evaporator Bracket		3A5492-01	2								
17	Evaporator Drain Bracket		3A5495-01	1								
17a	T2 Screw	4x8, SS	7P32-0408	4								
18	Defrost Thermostat		4A0954-02	1								
18a	T2 Screw	4x8, SS	7P32-0408	2								
19	Defrost Heater		2A5378-01	1								
20	Evaporator Mount Bracket		3A5493-01	2								
20a	Screw		4A4993-02	4								
21	Evaporator Fan Assembly (items 21a through 24; order assembly parts individually)		3A5590A01	1								
21a	Screw		4A4993-02	2								
22	Fan Motor Bracket	SS	4A4935-01	1								
23	Evaporator Fan Motor		4A4942-01	1								
23a	Split Lock Washer	No. 8, SS	7L2210832	2								
23b	Hex Nut	No.8-33, SS	7N0210832	2								
24	Evaporator Fan Blade		4A4943-01	1								
25	Condenser Assembly (items 25a through 32a; order assembly parts individually)		2A5260A01	1								
25a	Screw		4A4993-02	6								
26	Condenser		2A5182-01	1								

Title: B. Refrigeration Circuit Model: CF1A-FS, CF1A-HS												
Index No.	Description	Material or Model Number	Part Number	Required Number								
				U-5	V-5							
27	Condenser Shroud	GS	2A5263-01	1								
27a	T2 Screw	4x8, SS	7P32-0408	6								
28	Condenser Fan Motor (includes fan blade mounting bolt)		4A4869-01	1								
28a	Self-Locking Nut	No.8-32	7N2110832	4								
29	Condenser Fan Blade		3A5817-01	1								
30	Condenser Fan Guard		2A5187-01	1								
30a	Truss Head Screw	5x12, SS	7C32-0512	4								
31	Air Filter		3A0277-01	1								
32	Air Filter Retainer	SS	4A0790-02	1								
32a	T2 Screw	4x8, SS	7P32-0408	2								
33	R-404A Label		4A0960-01	1								
34	Process Assembly (1 of item 35; order assembly parts individually)		4A5002G01	1								
35	Access Valve		457729-01	2								
36	Condensate Pan Assembly (items 37 through 40; order assembly parts individually)		2A5375A01	1								
37	Condensate Pan		2A5218-01	1								
38	Condensate Coil Strap		3A5672-01	1								
38a	T2 Screw	4x8, SS	7P32-0408	2								
39	Condensate Coil Gasket		4A0455-04	1								
40	Condensate Pump (includes 3mm ID x 625mm suction hose and 6mm ID x 375mm discharge hose)		4A5111-01	1								
40a	T2 Screw	4x20, SS	7P32-0420	2								
41	Capillary Tube/Suction Tube (Heat Exchanger)		2A5347G01	1								
42	Refrigeration Circuit Base	EPP	2A5184-01	1								
43	Cable Tie Mount		437618-01	1								
44	Nylon Tie		8911-0150	1								

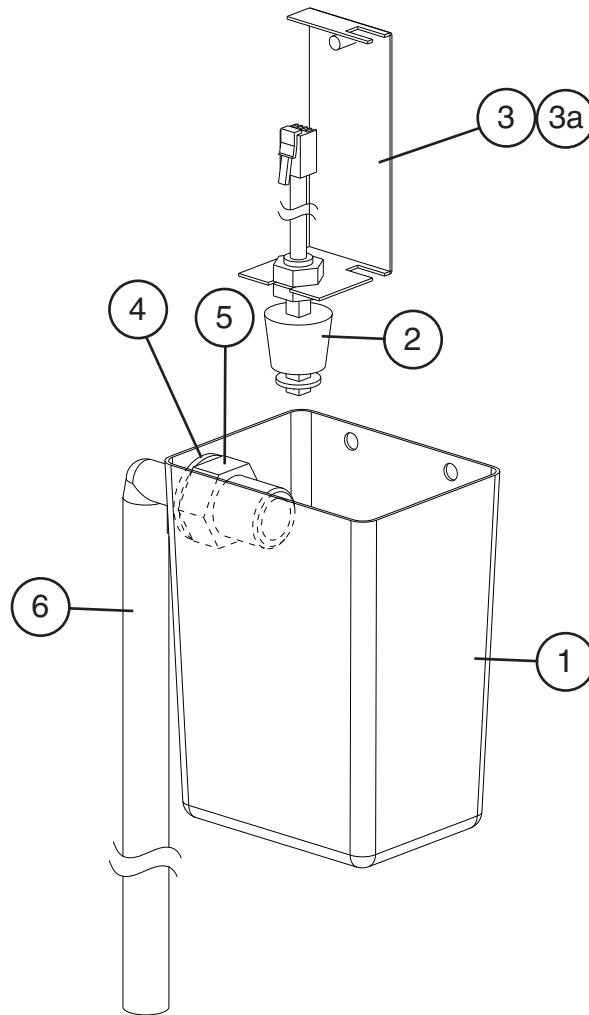
C. Control Box Assembly
CR1A-FS, CR1A-HS, CF1A-FS, CF1A-HS
 U-5, V-5



Title: C. Control Box Assembly Model: CR1A-FS, CR1A-HS, CF1A-FS, CF1A-HS																				
Index No.	Description	Material or Model Number	Part Number	Required Number																
				U-5	V-5															
1	Screw		4A4993-02	2																
2	Power Supply Cord		4A0520-01	1																
3	Wire Clamp		4A0809-03	1																
3a	T2 Screw	4x8, SS	7P32-0408	1																
4	Control Module (includes mounting nut)	CR1A- S	4A4861-01	1																
		CF1A- S	4A5101-01																	
5	Display Cable		4A4863-01	1																
6	Toggle Switch		4A0424-01	1																
7	Door Switch Relay		418271-03	1																
7a	Tapping Screw	3x8	431415-01	2																
8	Compressor Relay	CF1A- S	4A1307-01	1																
8a	Tapping Screw	CF1A- S 3x8	431415-01	2																
9	Terminal Block	ESB2-323-424	4A2619-01	1																
9a	Tapping Screw	3x8	431415-01	2																
10	Bushing	OCB-875	428394-04	2																
11	Plug Housing	3P	4A0425-01	1																
12	Receptacle Housing	3P	4A0426-01	1																
13	Plug Housing	6P	412832-03	1																
14	Receptacle Housing	6P	412831-03	1																

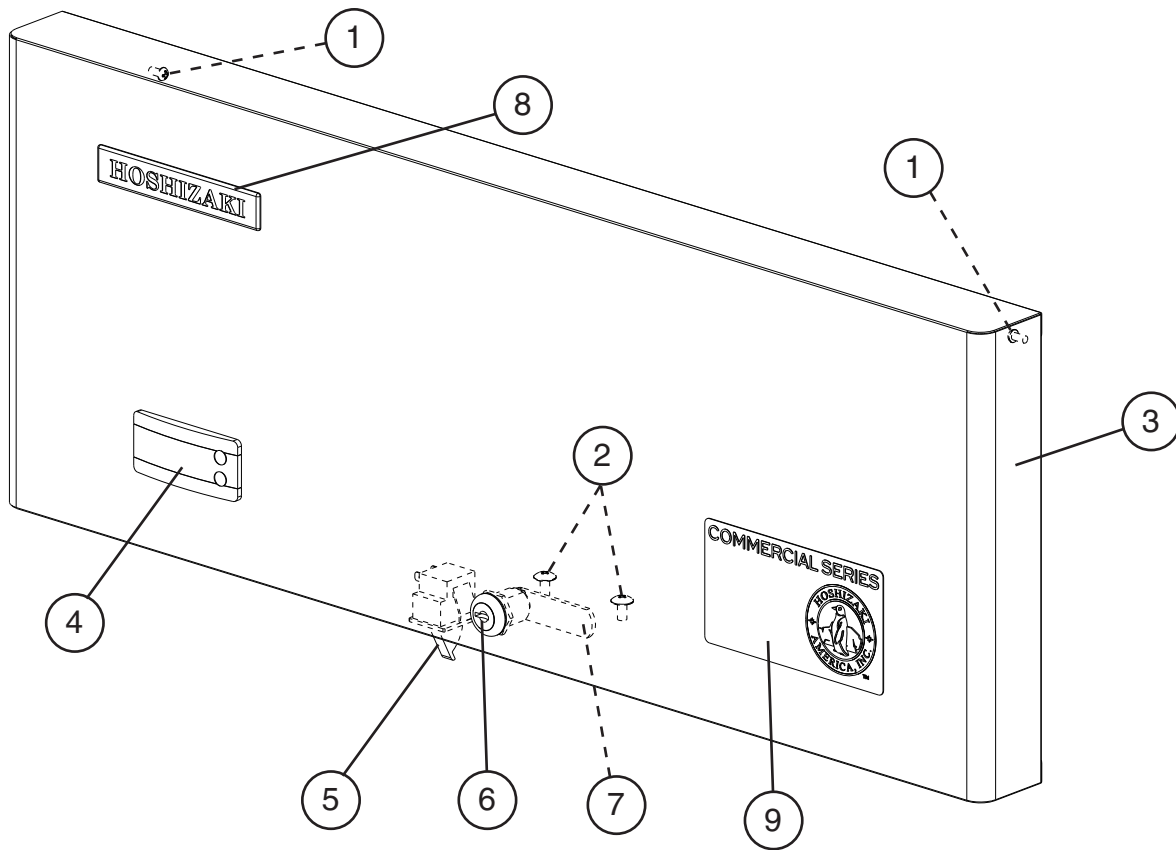
Title: C. Control Box Assembly Model: CR1A-FS, CR1A-HS, CF1A-FS, CF1A-HS												
Index No.	Description	Material or Model Number	Part Number	Required Number								
				U-5 V-5								
15	Plug Housing	CR1A-HS CF1A-S 6P Red	412832-12	1								
16	Receptacle Housing	CR1A-HS CF1A-S 6P Red	412831-12	1								
17	Power Label		4A2196-01	1								
18	Grounding Screw		433304-02	1								
19	Control Box Base	GS	2A5208-01	1								
20	Control Box Cover	GS	2A5209-01	1								
20a	T2 Screw	4x8, SS	7P32-0408	1								

D. Reservoir Assembly
CR1A-FS, CR1A-HS, CF1A-FS, CF1A-HS
 U-5, V-5



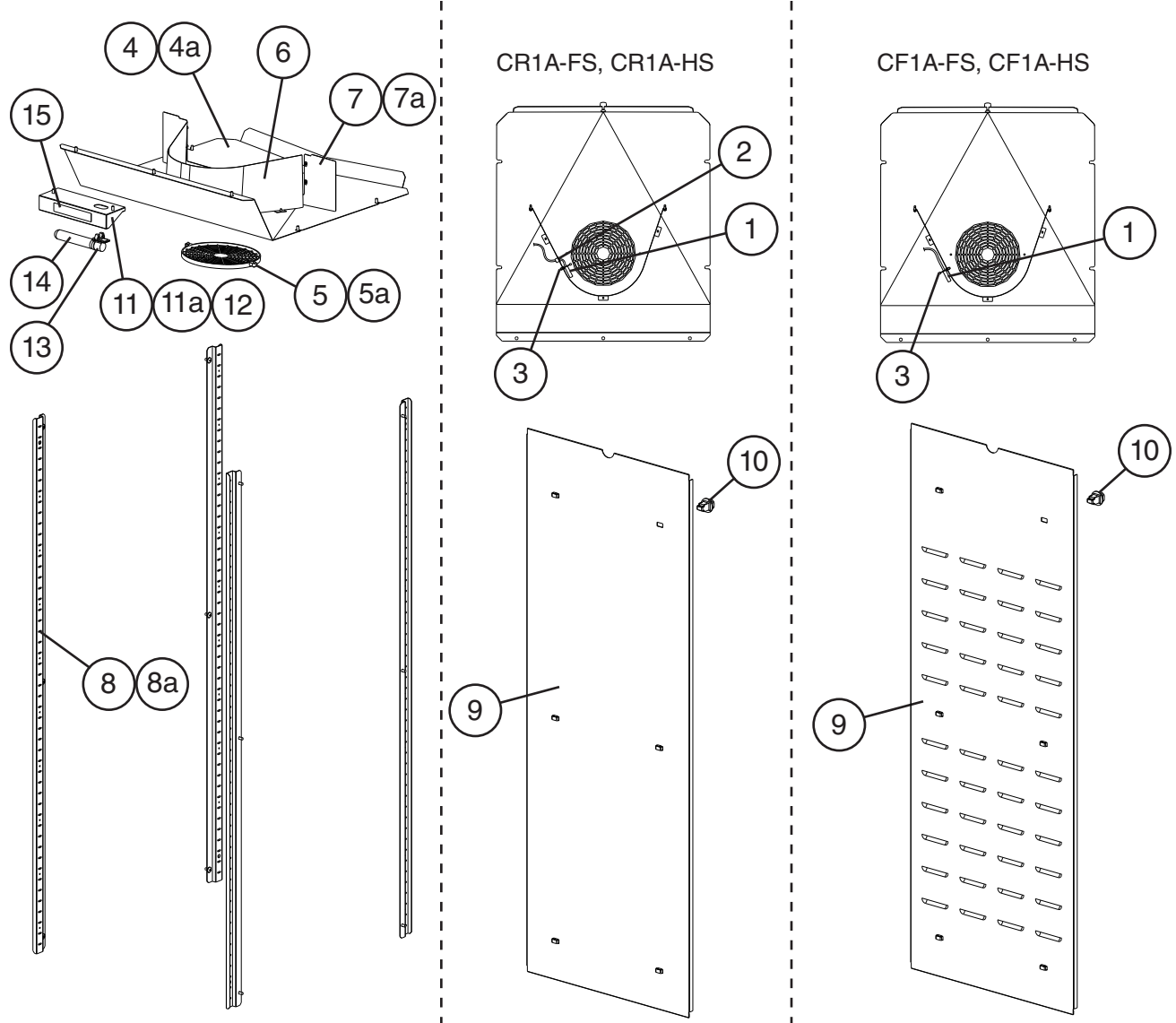
Title: D. Reservoir Assembly Model: CR1A-FS, CR1A-HS, CF1A-FS, CF1A-HS										
Index No.	Description	Material or Model Number	Part Number	Required Number						
				U-5	V-5					
1	Reservoir		3A5565-01	1						
2	Float Switch		4A4937-01	1						
3	Float Switch Bracket		3A5560-01	1						
3a	T2 Screw	4x8, SS	7P32-0408	1						
4	Rubber Gasket		413854-03	1						
5	Drain Fitting		4A2792-01	1						
6	Silicone Hose	L=150mm	773013812	1						

E. Front Panel Assembly
CR1A-FS, CR1A-HS, CF1A-FS, CF1A-HS
 U-5, V-5



Title: E. Front Panel Assembly Model: CR1A-FS, CR1A-HS, CF1A-FS, CF1A-HS															
Index No.	Description	Material or Model Number	Part Number	Required Number											
				U-5	V-5										
1	T2 Screw	4x8, SS	7P32-0408	2											
2	Truss Head Screw	5x10, SS	7C32-0510	2											
3	Front Panel		2A5219-01	1											
4	Display Module (includes mounting clips)		4A4862-01	1											
5	Door Switch		3A1826-01	1											
6	Door Lock Tumbler (includes 2 keys)		4A4924-01	1											
7	Door Lock Cam		4A4925-01	1											
8	Emblem		4A0560-01	1											
9	Label-Commercial Series	CR1A-_S	3A5816-01	1											
		CF1A-_S	3A5816-02	1											

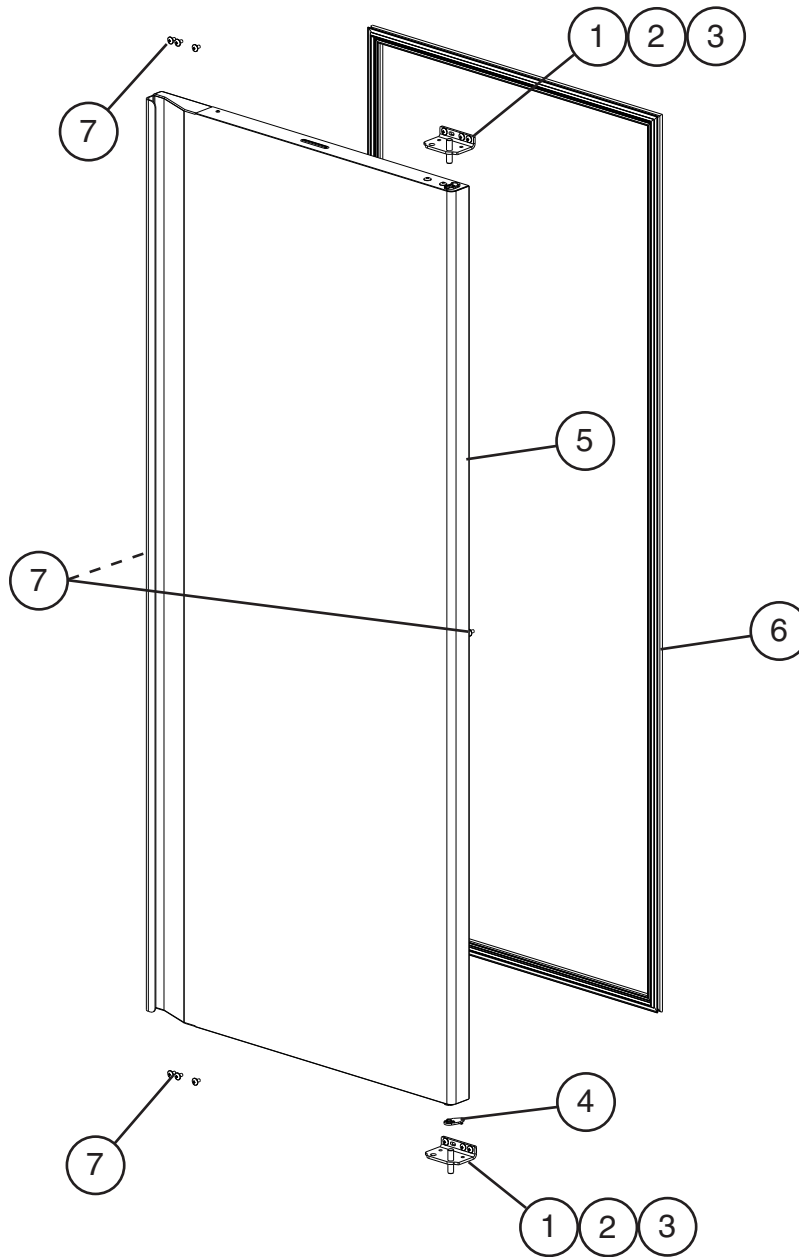
F. Interior Group
CR1A-FS, CR1A-HS, CF1A-FS, CF1A-HS
 U-5, V-5



Title: F. Interior Group Model: CR1A-FS, CR1A-HS, CF1A-FS, CF1A-HS					Required Number								
Index No.	Description	Material or Model Number	Part Number	U-5									
				V-5									
1	Cabinet Thermistor		4A4864-01	1									
2	Bushing	CR1A-<u>S</u> OCB-500	428394-02	1									
3	Twist Wire Tie		4A5113-01	1									
4	Evaporator Fan Shroud		3A5543G01	1									
4a	Truss Head Screw	5x10, SS	7C32-0510	7									
5	Fan Guard		4A4860-01	1									
5a	T2 Screw	4x10, SS	7P32-0410	2									
6	Fan Shroud		2A5291-01	1									
7	Evaporator Shroud		3A5494-01	1									
7a	T2 Screw	4x8, SS	7P32-0408	4									

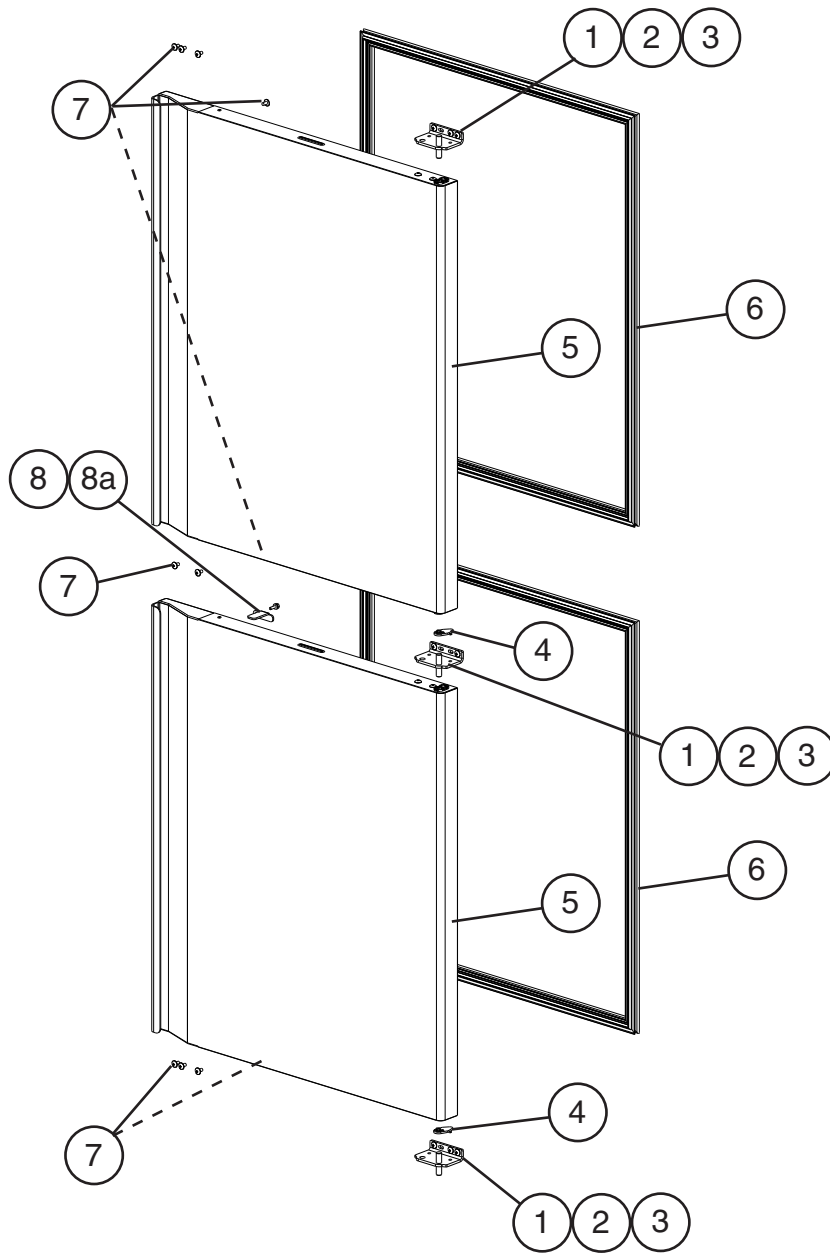
Title: F. Interior Group Model: CR1A-FS, CR1A-HS, CF1A-FS, CF1A-HS												
Index No.	Description	Material or Model Number	Part Number	U-5 V-5	Required Number							
8	Pilaster		3A0145-22	4								
8a	Truss Head Screw	5x10, SS	7C32-0510	12								
9	Rear Duct Panel	CR1A-<u>S</u>	2A5205-21	1								
		CF1A-<u>S</u>	2A5205-22	1								
10	Duct Stand Off		4A4874-01	6								
11	Incandescent Light Assembly (items 11a through 15; order assembly parts individually)		3A5564A01	1								
11a	Truss Head Screw	5x10, SS	7C32-0510	2								
12	Light Plate		3A5496-21	1								
13	Light Socket		4A4443-01	1								
14	Light Bulb		4A4444-01	1								
15	Warning Label		4A2968-03	1								

G. Door-Right
Full Solid: CR1A-FS, CF1A-FS
 U-5, V-5



Title: G. Door-Right Model: Full Solid: CR1A-FS, CF1A-FS					Required Number					
Index No.	Description	Material or Model Number	Part Number	U-5						
				V-5						
1	Truss Head Screw	5×10, SS	7C32-0510	6						
2	Split Lock Washer	M5, SS	7L22-0500	6						
3	Hinge Bracket (R)		3A5542G01	2						
4	Hinge Collar		339948-01	1						
5	Door Subassembly (includes item 6)		2A5220G01	1						
6	Door Gasket		2A5192-01	1						
7	Truss Head Screw (filler)	5×10, SS	7C32-0510	8						

G. Door-Right
Half Solid: CR1A-HS, CF1A-HS
 V-5

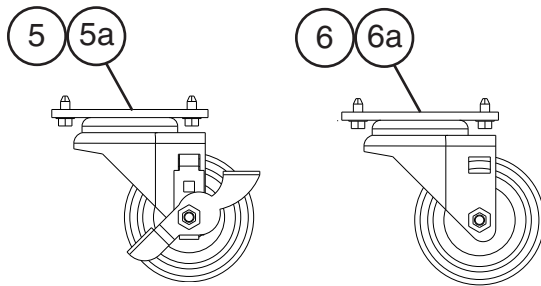
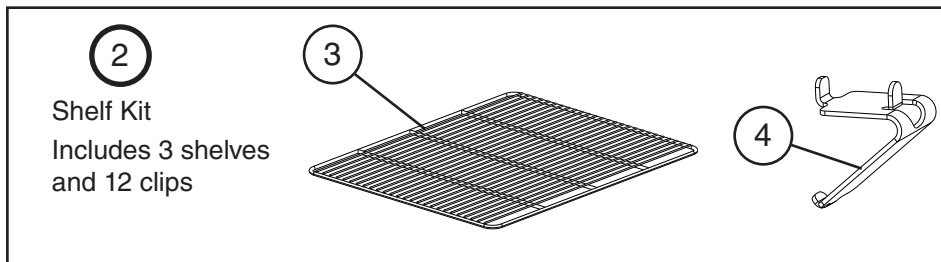


Title: G. Door-Right Model: Half Solid: CR1A-HS, CF1A-HS															
Index No.	Description	Material or Model Number	Part Number	Required Number											
				V-5											
1	Truss Head Screw	5x10, SS	7C32-0510	8											
2	Split Lock Washer	M5, SS	7L22-0500	8											
3	Hinge Bracket (R)		3A5542G01	3											
4	Hinge Collar		339948-01	2											
5	Door Subassembly (includes 1 of item 6)		2A5222G01	2											
6	Door Gasket		2A5192-02	2											
7	Truss Head Screw (filler)	5x10, SS	7C32-0510	11											
8	Door Latch		4A4934-01	1											
8a	Screw-Bolt	5x16, SS	449879-08	1											

H. Accessories & Packaging

CR1A-FS, CR1A-HS, CF1A-FS, CF1A-HS

U-5, V-5



Title: H. Accessories & Packaging		Model: CR1A-FS, CR1A-HS, CF1A-FS, CF1A-HS		Required Number										
Index No.	Description	Material or Model Number	Part Number	U-5										
				V-5										
1	Instruction Manual		91A3KE10A	1										
2	Shelf Kit (3 Pack) (includes items 3 and 4)	HS-3508	3A1416A03	1										
3	Shelf		3A1387-01	3										
4	Shelf Clip		428957-01	12										
5	4-Inch Locking Caster		4A4275-01	2										
5a	Hex Head Tapping Bolt	1/4×20×1/2	7B03I1412	8										
6	4-Inch Non-Locking Caster		4A4275-02	2										
6a	Hex Head Tapping Bolt	1/4×20×1/2	7B03I1412	8										
-	Packaging	CR1A-FS	2A5302A01											
		CR1A-HS	2A5303A01											
		CF1A-FS	2A5304A01											
		CF1A-HS	2A5305A01											