

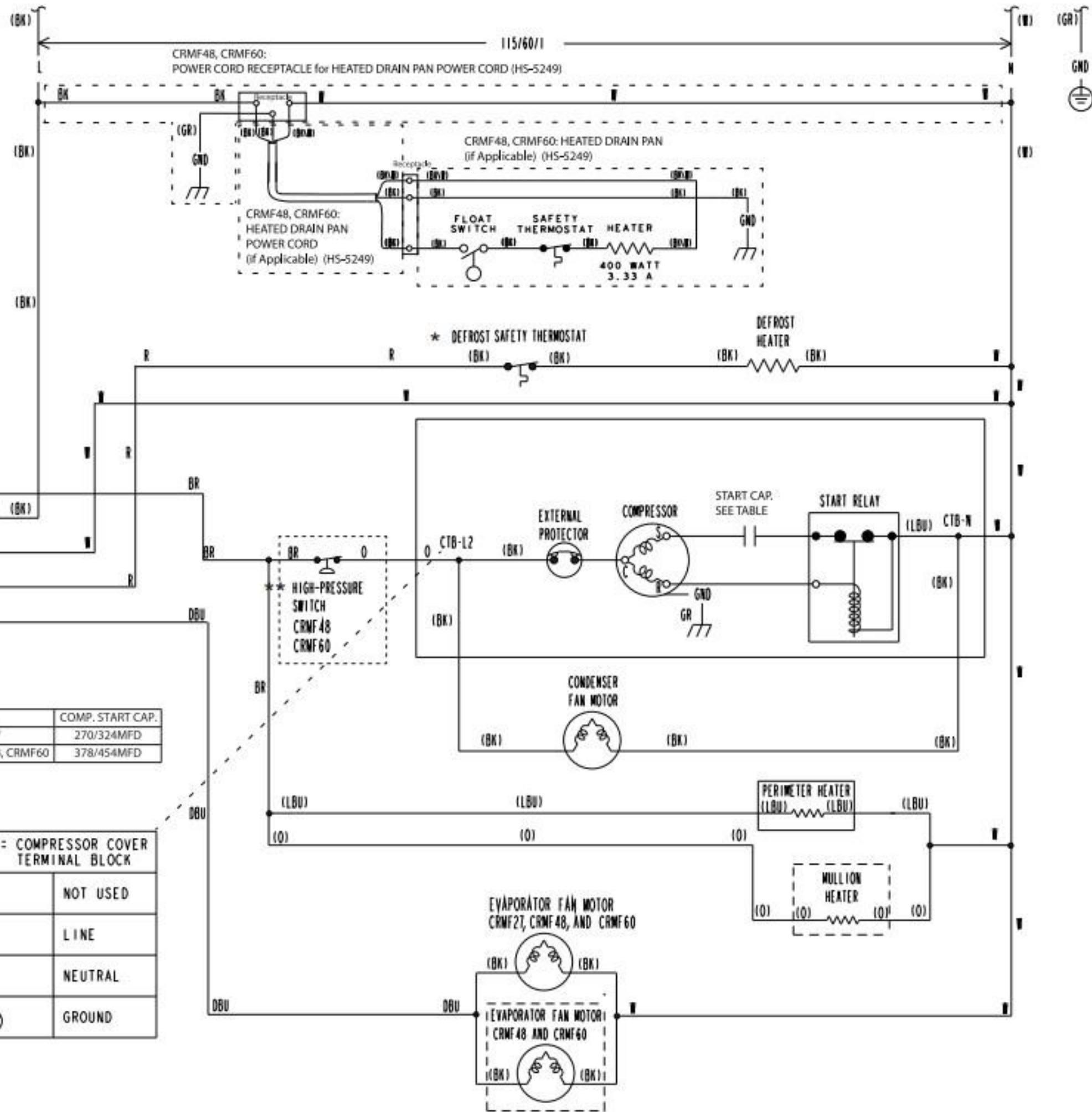
WIRE COLOR CODE	
BK	BLACK
BR	BROWN
DBU	DARK BLUE
GR	GREEN
GY	GRAY
LBU	LIGHT BLUE
O	ORANGE
P	PINK
R	RED
V	VIOLET
W	WHITE
Y	YELLOW

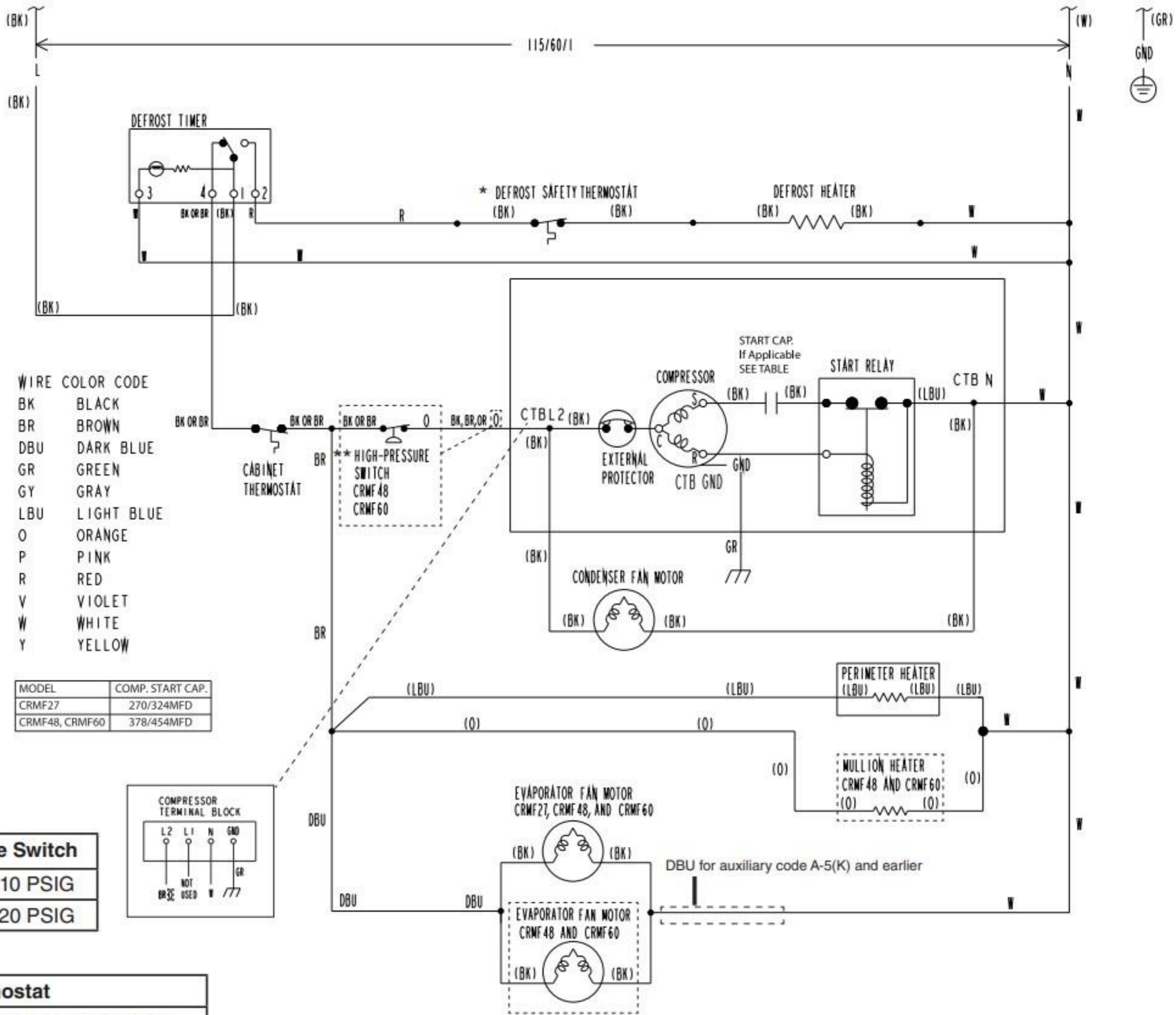
MODEL	COMP. START CAP.
CRMF27	270/324MFD
CRMF48, CRMF60	378/454MFD

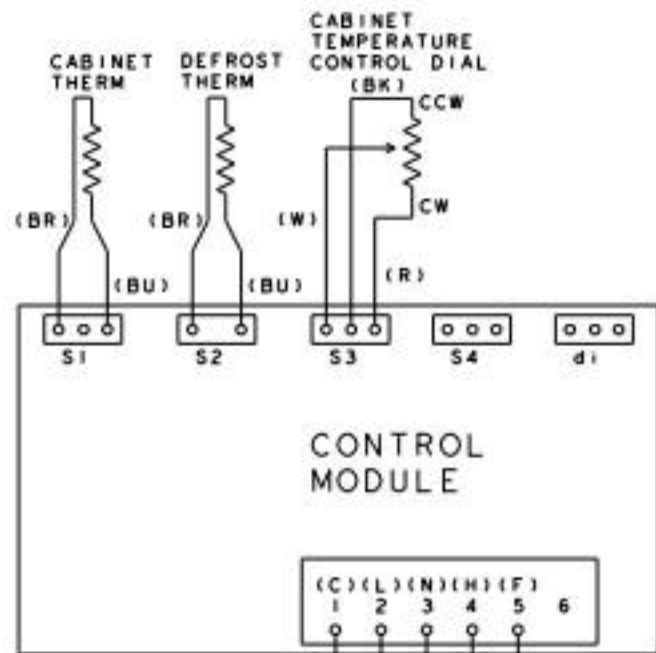
CTB = COMPRESSOR COVER TERMINAL BLOCK	
L1	NOT USED
L2	LINE
N	NEUTRAL
	GROUND

* Defrost Thermostat	
Cut-Out	120°F±5°F (49°C±3°C)
Cut-In	70°F±5°F (21°C±3°C)

** High-Pressure Switch	
Cut-Out	300±10 PSIG
Cut-In	190±20 PSIG



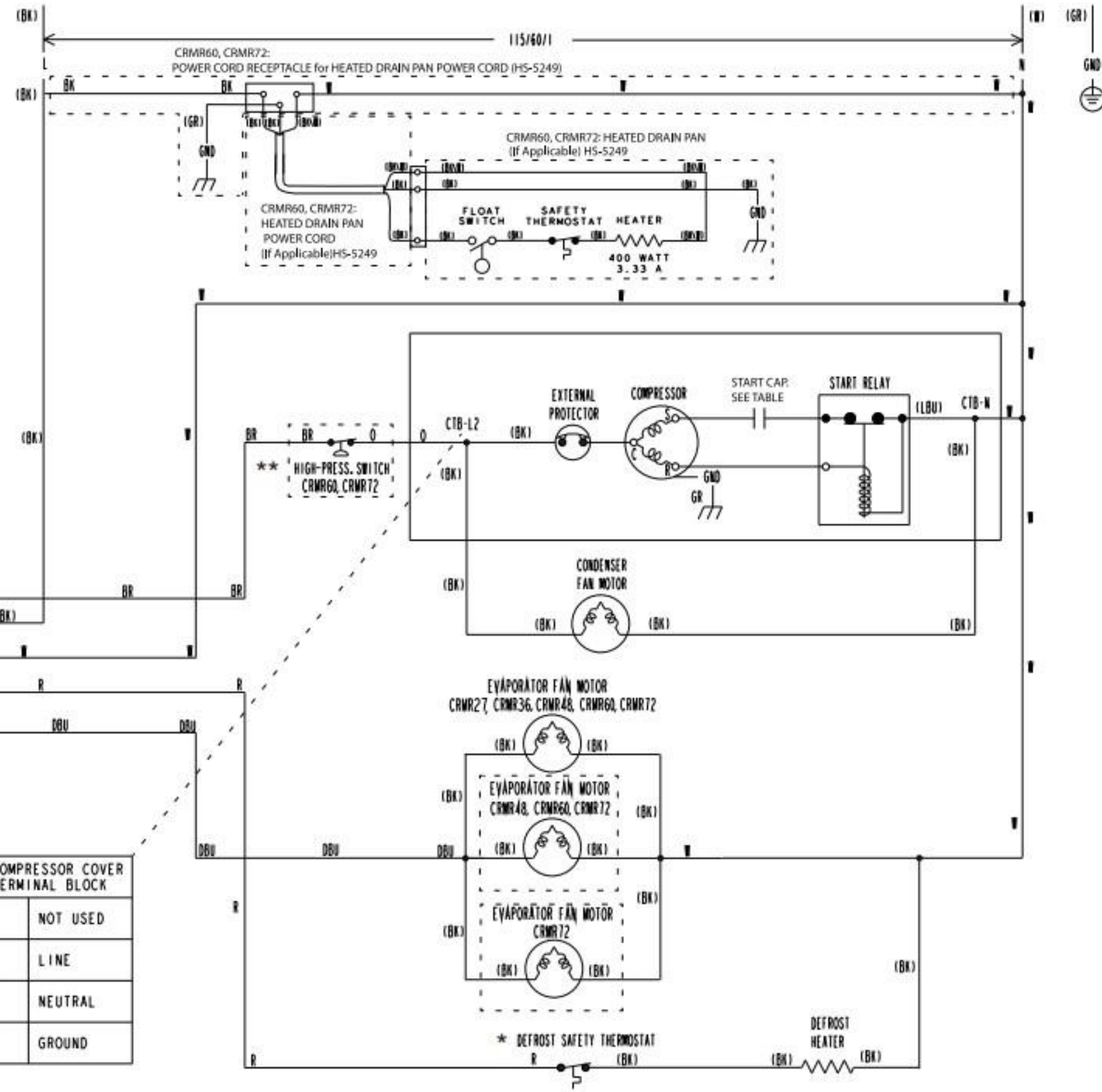




WIRE COLOR CODE	
BK	BLACK
BR	BROWN
DBU	DARK BLUE
GR	GREEN
GY	GRAY
LBU	LIGHT BLUE
O	ORANGE
P	PINK
R	RED
V	VIOLET
W	WHITE
Y	YELLOW

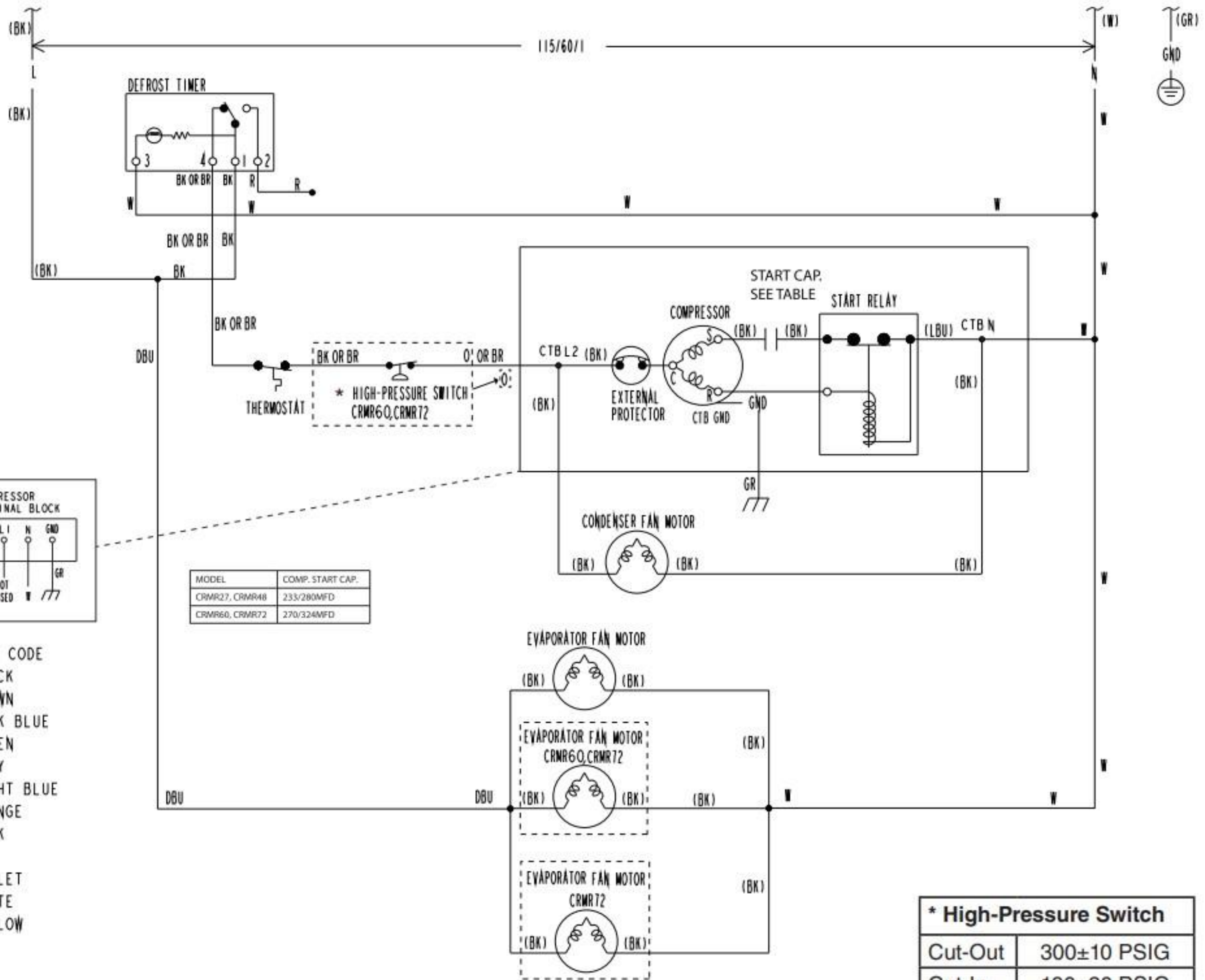
MODEL	COMP. START CAP.
CRMR27	
CRMR36	233/280MFD
CRMR48	
CRMR60, CRMR72	270/324MFD

CTB = COMPRESSOR COVER TERMINAL BLOCK	
L1	NOT USED
L2	LINE
N	NEUTRAL
	GROUND



* Defrost Thermostat	
Cut-Out	120°F±5°F (49°C±3°C)
Cut-In	70°F±5°F (21°C±3°C)

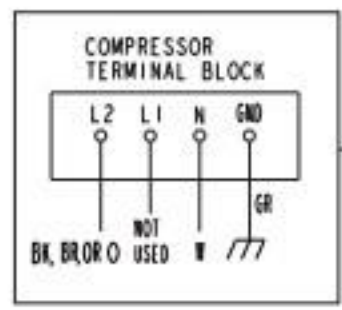
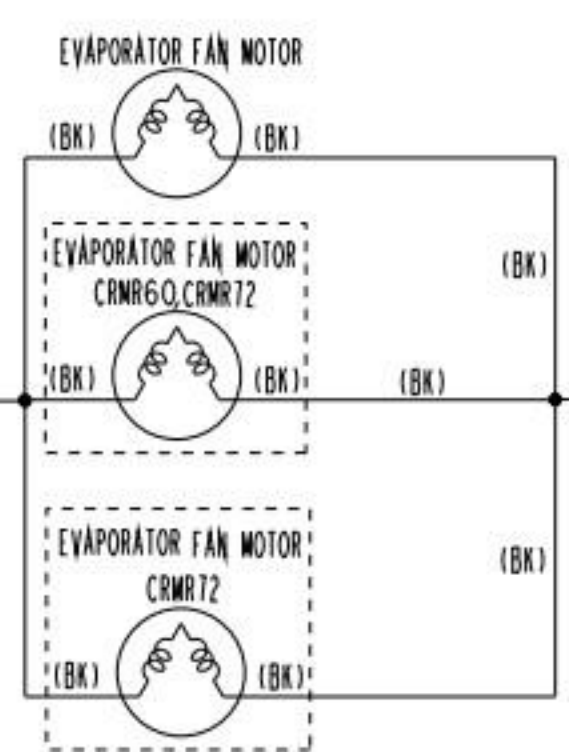
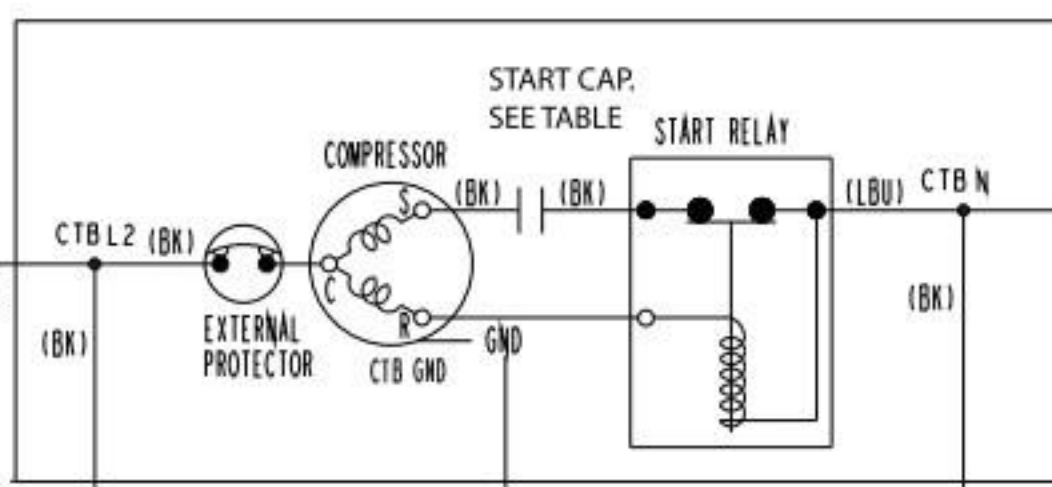
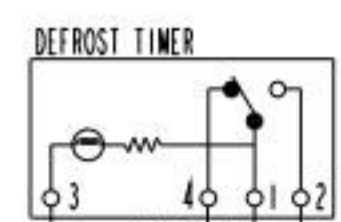
** High-Pressure Switch	
Cut-Out	300±10 PSIG
Cut-In	190±20 PSIG



(BK) L
(BK)
(BK)

115/60/1

(GR)
GND



MODEL	COMP. START CAP.
CRMR27, CRMR48	233/280MFD
CRMR60, CRMR72	270/324MFD

WIRE COLOR CODE
 BK BLACK
 BR BROWN
 DBU DARK BLUE
 GR GREEN
 GY GRAY
 LBU LIGHT BLUE
 O ORANGE
 P PINK
 R RED
 V VIOLET
 W WHITE
 Y YELLOW

* High-Pressure Switch	
Cut-Out	300±10 PSIG
Cut-In	190±20 PSIG

