



HOSHIZAKI

Parts Manual

Water Dispenser
MODwater™ series

Model:
DWM-20A



hoshizakiamerica.com

Revised: 7-12-2023

CONTENTS

Auxiliary Codes	3
Auxiliary Code Breakdown	3
Note About Ordering Parts	3
A. Unit Configuration	4
B. Hardware and Cabinet Section 1	5
B. Hardware and Cabinet Section 2	6
C. Electrical Components Section 1	8
C. Electrical Components Section 2	9
C. Electrical Components Section 3	10
C. Electrical Components Section 4	11
D. Refrigeration Circuit Section 1	13
E. Accessories and Labels (Consumable Replacements) Section 1	15
E. Accessories and Labels (Installation Kit Replacements) Section 2	16
E. Accessories and Labels (Installation & Maintenance) Section 3	17
E. Accessories and Labels (Installation & Maintenance) Section 4	18
E. Accessories and Labels (Installation & Maintenance) Section 5	19

Auxiliary Codes

DWM-20A

Auxiliary Code Breakdown

Each single Part or assembly of Parts can be identified in the Catalog Part Number column. The Catalog Part Number uses the following auxiliary code:

The first two positions are capital letters identifying the type of Parts:

- HC – Hardware and Cabinet
- EE – Electrical and Electronics
- RF – Refrigeration Components
- AL – Accessories, Kits, Replacements, Labels and Emblems

The third position is numerical and identifies the number of revisions:

- 1 – Revision 1
- 2 – Revision 2

The fourth and fifth positions in the code have the following meaning:

- S1 – Section 1 of the Parts Catalog
- S2 – Section 2 of the Parts Catalog
- S3 – Section 3 of the Parts Catalog
- S4 – Section 4 of the Parts Catalog

The sixth, seventh and eighth (last) positions in the code identify the Picture Number. Example: P03 means Picture Number 3 in the figure associated.

Example: HC1-S2P12, means: Hardware and Cabinet, Revision 1, Section 2, Picture 12.

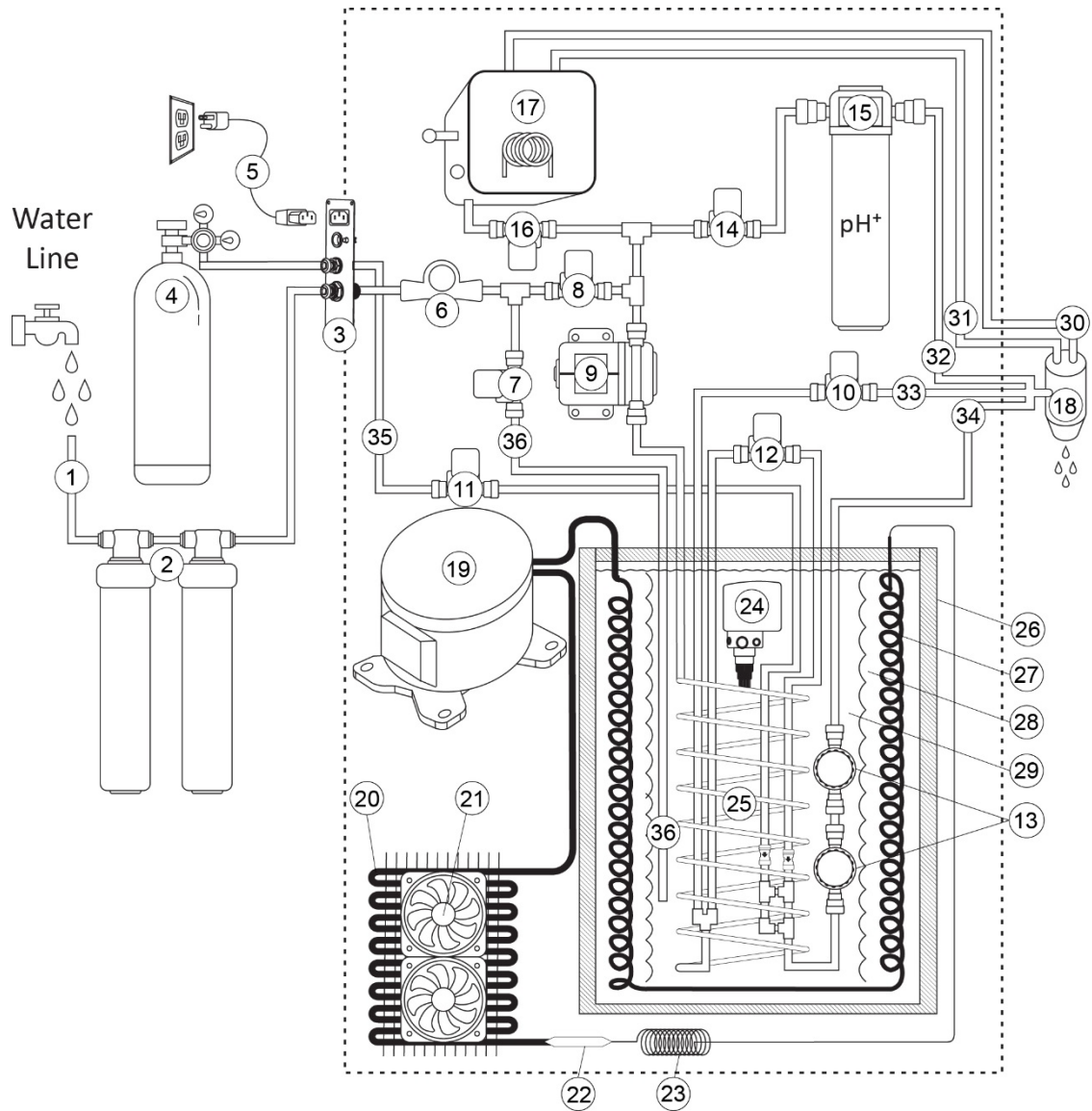
Sometimes the Part in question represents an assembly of different parts that, singularly, are identifiable by the Bill Of Material code (i.e. B.O.M. Part Number). Assembly Parts may not be ordered as single parts using the B.O.M Number.

Note About Ordering Parts

Only Second Level Certified Technicians are trained and qualified to repair parts indicated in gray in this Catalog. Other Technicians are only trained to repair and interchange Catalog Parts indicated with clear picture numbers.

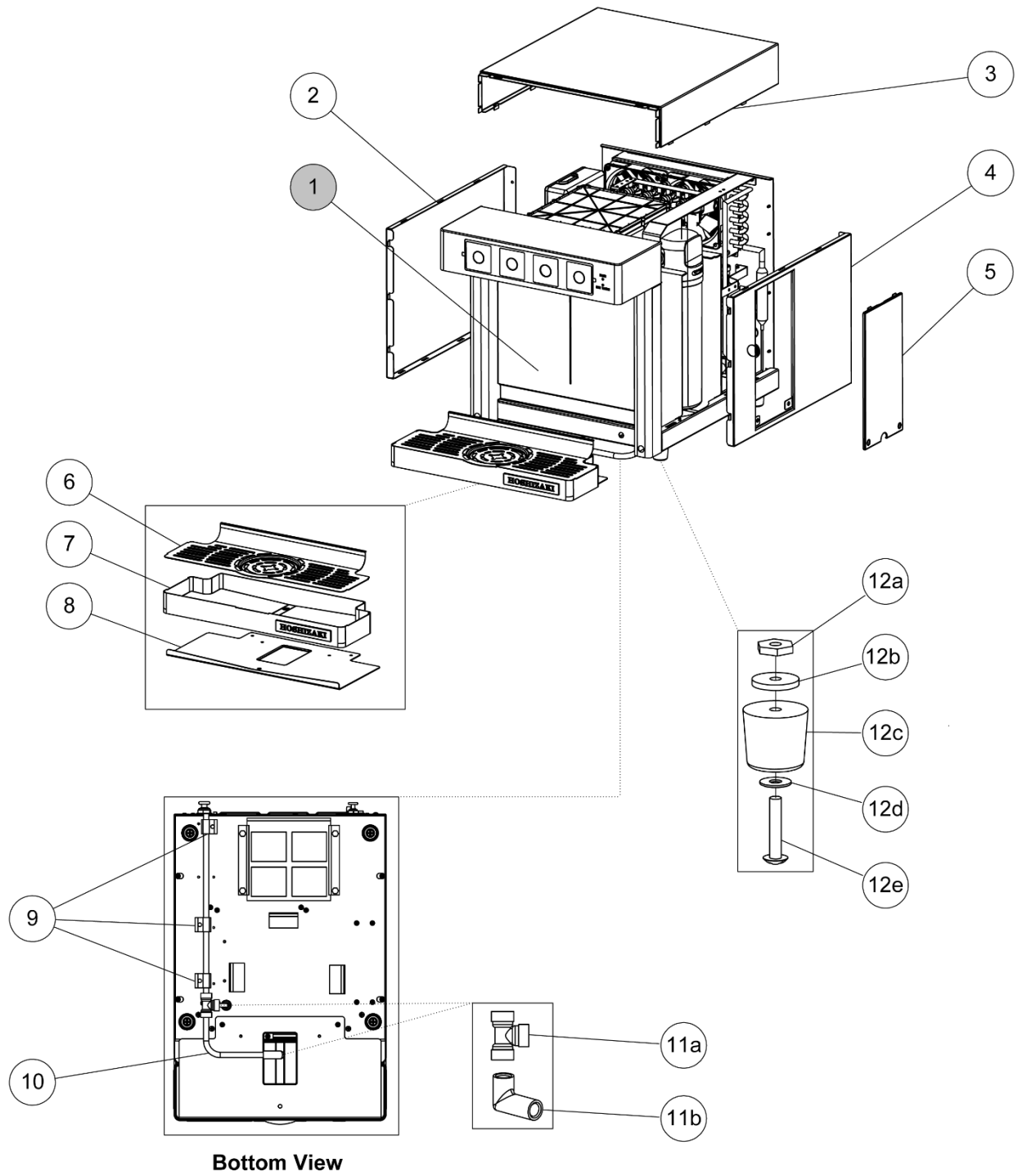
A. Unit Configuration

DWM-20A

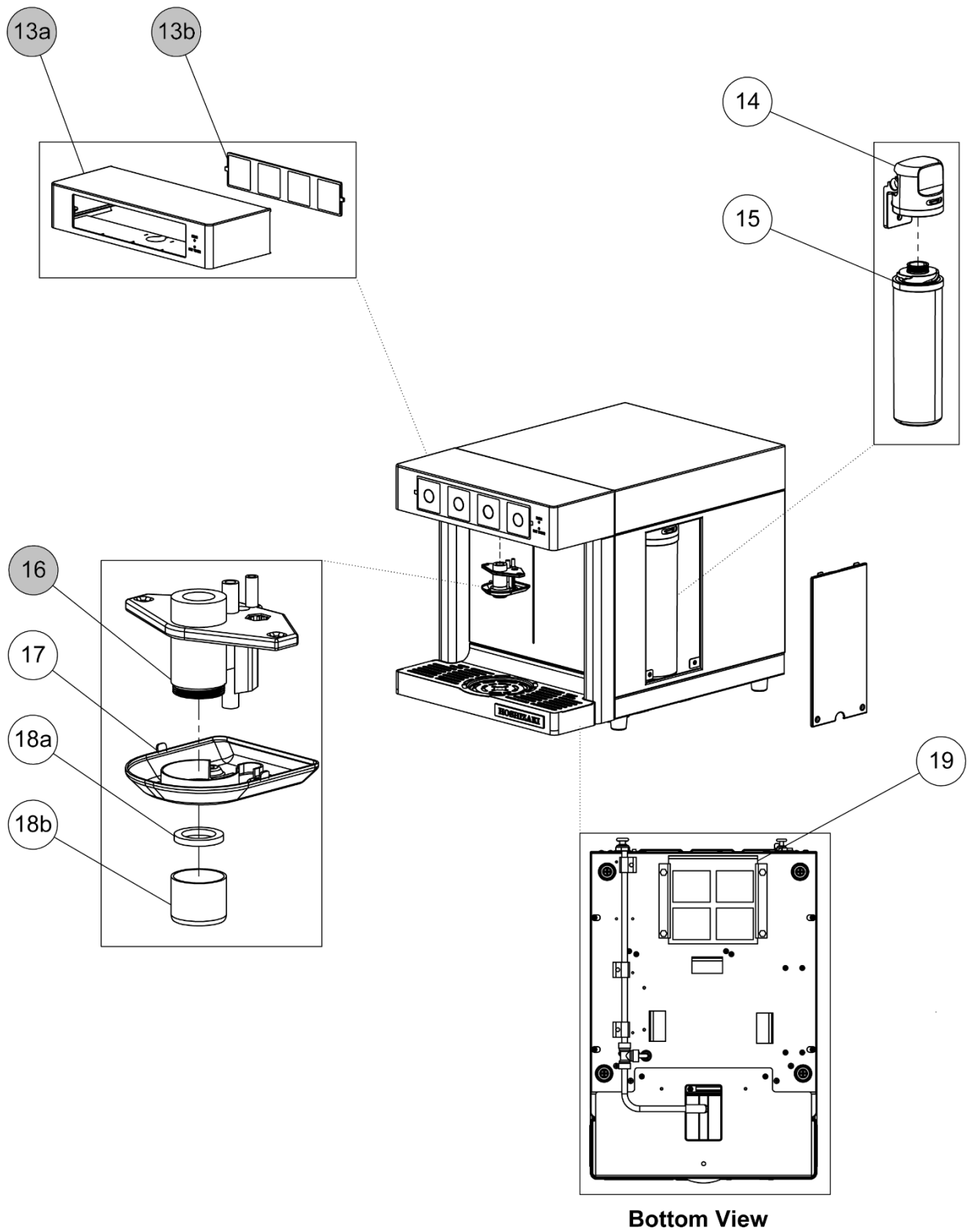


- | | | |
|------------------------------------|-----------------------------|----------------------------------|
| 1. Water Inlet | 13. Carbonation Mechanism | 25. S/S Chiller Coil |
| 2. All-in-One Filters (2) | 14. Alkaline Solenoid Valve | 26. Chiller Insulation |
| 3. Power Inlet Plate | 15. Alkaline Chamber | 27. Evaporator Coil |
| 4. CO ₂ Gas Tank | 16. Hot Solenoid Valve | 28. Ice |
| 5. Power Cable | 17. Hot Water Tank | 29. Chiller Water |
| 6. Flow Meter | 18. Nozzle | 30. Vapor Line |
| 7. Auto-Fill Solenoid Valve | 19. Compressor | 31. Hot Water Line |
| 8. Main Solenoid Valve | 20. Condenser Coil | 32. Alkaline Water Line |
| 9. Water Pump | 21. Fans | 33. Chilled Water Line |
| 10. Chilled Solenoid Valve | 22. Drier | 34. Sparkling Water Line |
| 11. CO ₂ Solenoid Valve | 23. Capillary Tube | 35. CO ₂ Gas Line |
| 12. Sparkling Solenoid Valve | 24. Agitator Pump | 36. Chiller Water Auto-Fill Line |

B. Hardware and Cabinet Section 1 DWM-20A

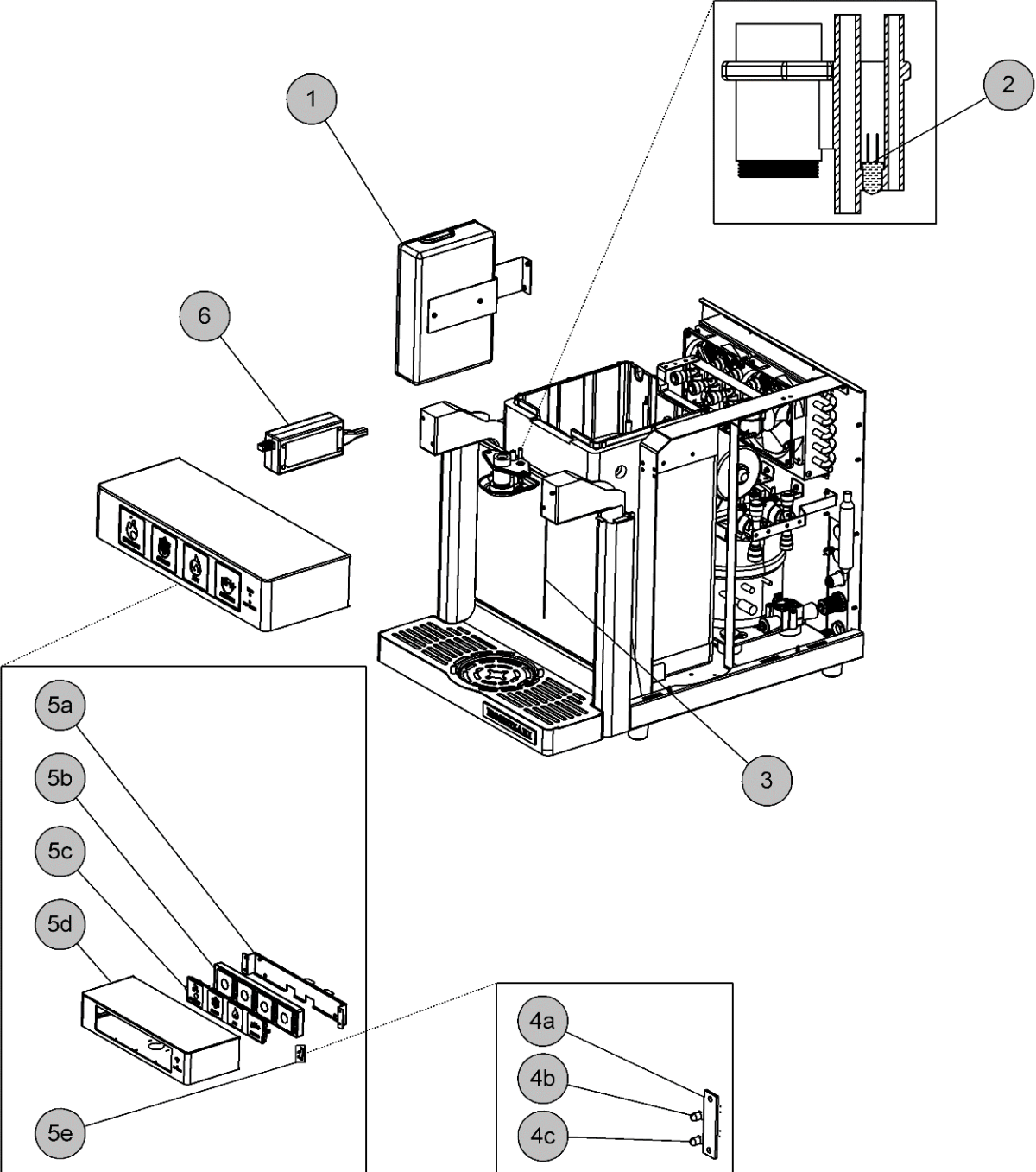


B. Hardware and Cabinet Section 2 DWM-20A

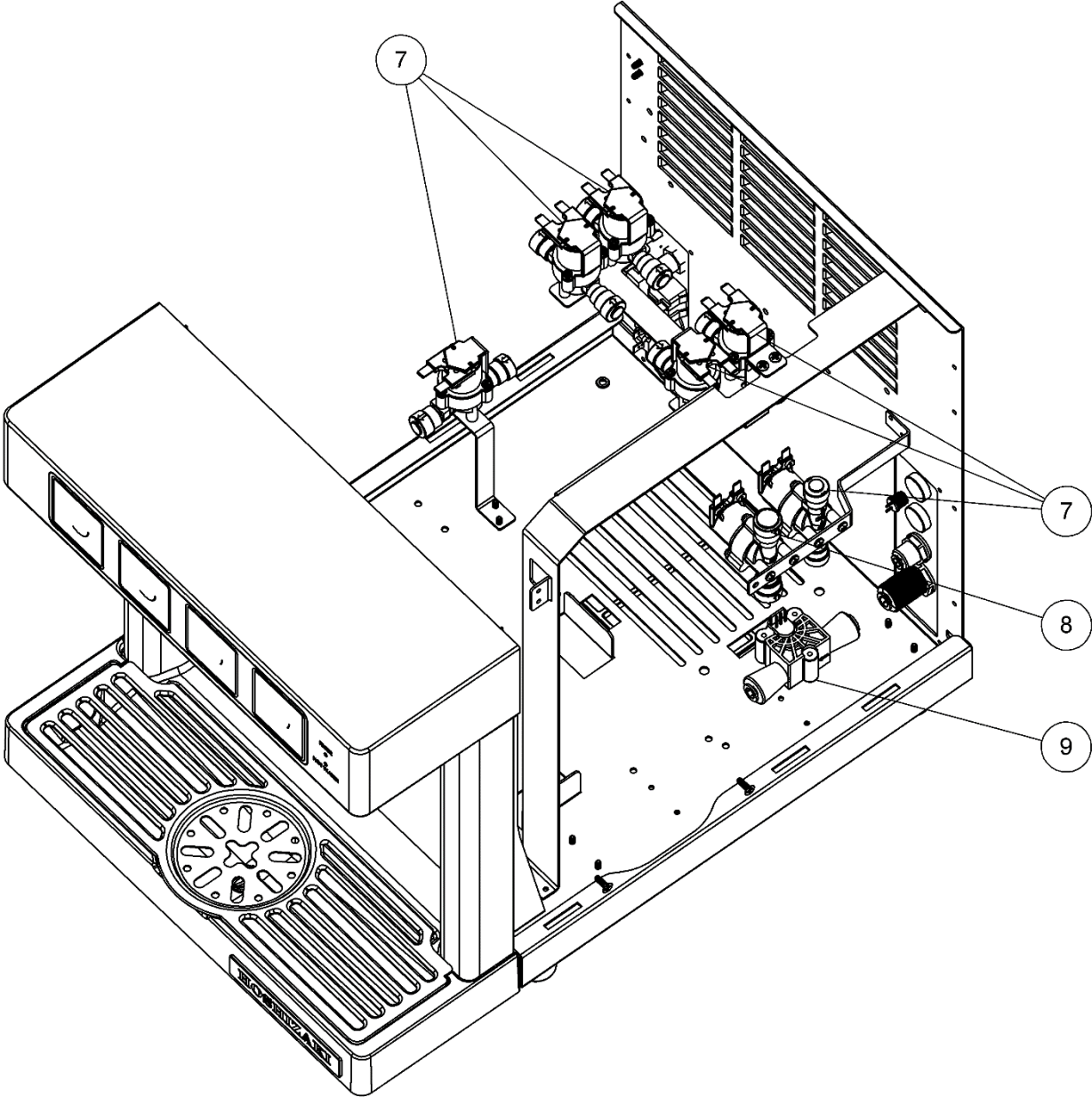


Title: B. Hardware and Cabinet Model: DWM-20A						
Index No.	Description	Catalog Part Number	Required Number			
1	Front Panel	HC1 – S1P01	NOT AVAILABLE FOR FIELD REPLACEMENT			
2	Left Panel	HC1 – S1P02				
3	Top Panel	HC1 – S1P03				
4	Right Panel	HC1 – S1P04				
5	Alkaline Chamber Access Panel	HC1 – S1P05				
6	Drain Pan-Metal Grate	HC1 – S1P06				
7	Drain Pan-Plastic Basin	HC1 – S1P07				
8	Drain Pan-Metal Base	HC1 – S1P08				
9	Drain Line Mounting Strap	HC1 – S1P09				
10	Drain Line	HC1 – S1P10				
11a	Drain Line-Silicone Elbow	HC1 – S1P11				
11b	Drain Line-Silicone Tee Connector					
12a	Nut	HC1 – S1P12				
12b	Lock Washer					
12c	Machine Leg					
12d	Screw Washer					
12e	Screw					
13a	Touch Button Panel Cover	HC1 – S2P13	NOT AVAILABLE FOR FIELD REPLACEMENT			
13b	Touch Button Panel		NOT AVAILABLE FOR FIELD REPLACEMENT			
14	Alkaline Chamber Head	HC1 – S2P14				
15	Alkaline Chamber (HS-5442)	HC1 – S2P15				
16	Nozzle	HC1 – S2P16	NOT AVAILABLE FOR FIELD REPLACEMENT			
17	Nozzle Guard	HC1 – S2P17				
18a	Nozzle Gasket	HC1 – S2P18				
18b	Nozzle Tip w/ Aerator					
19	Air Filter	HC1 – S2P19				

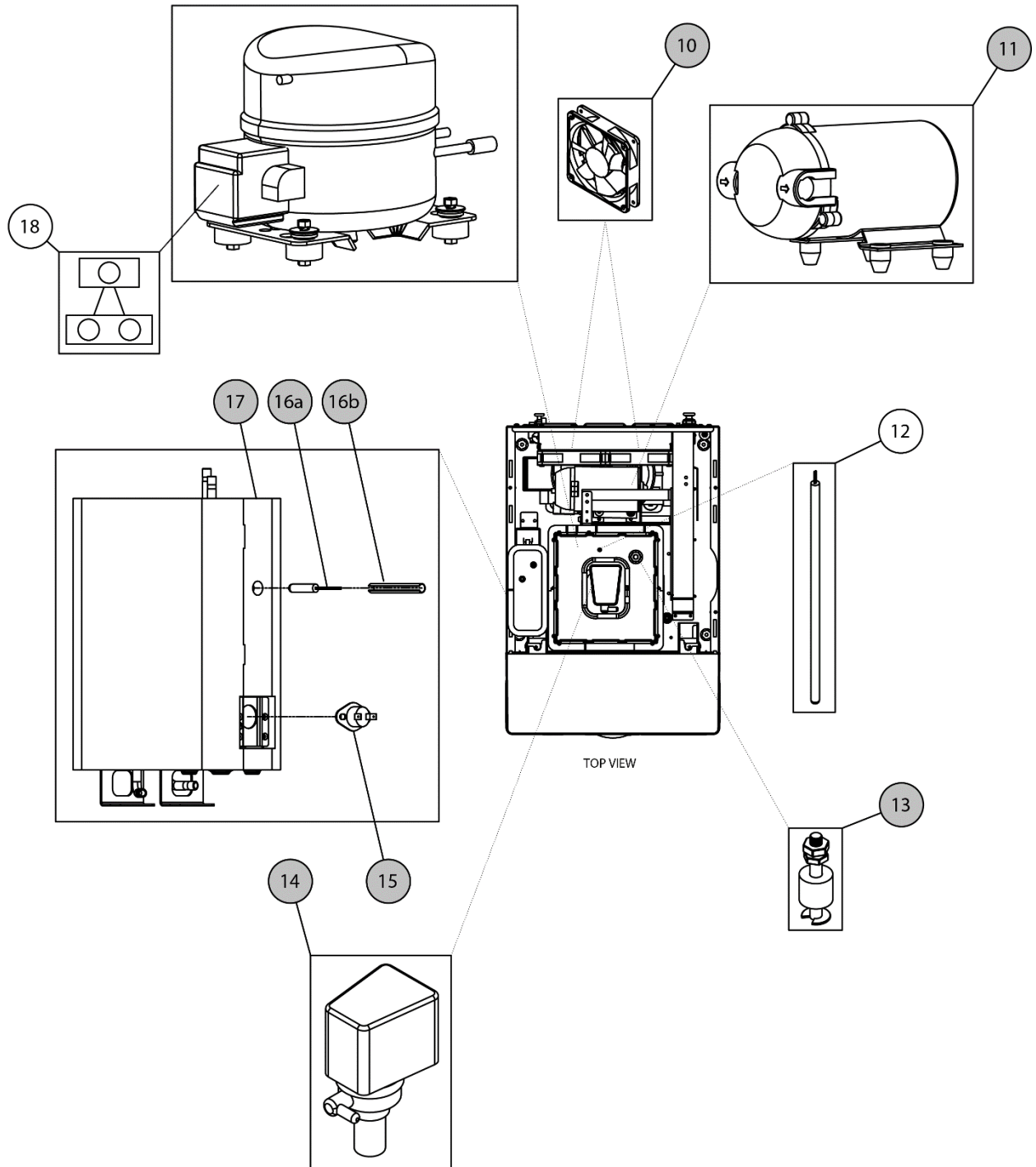
C. Electrical Components Section 1
DWM-20A



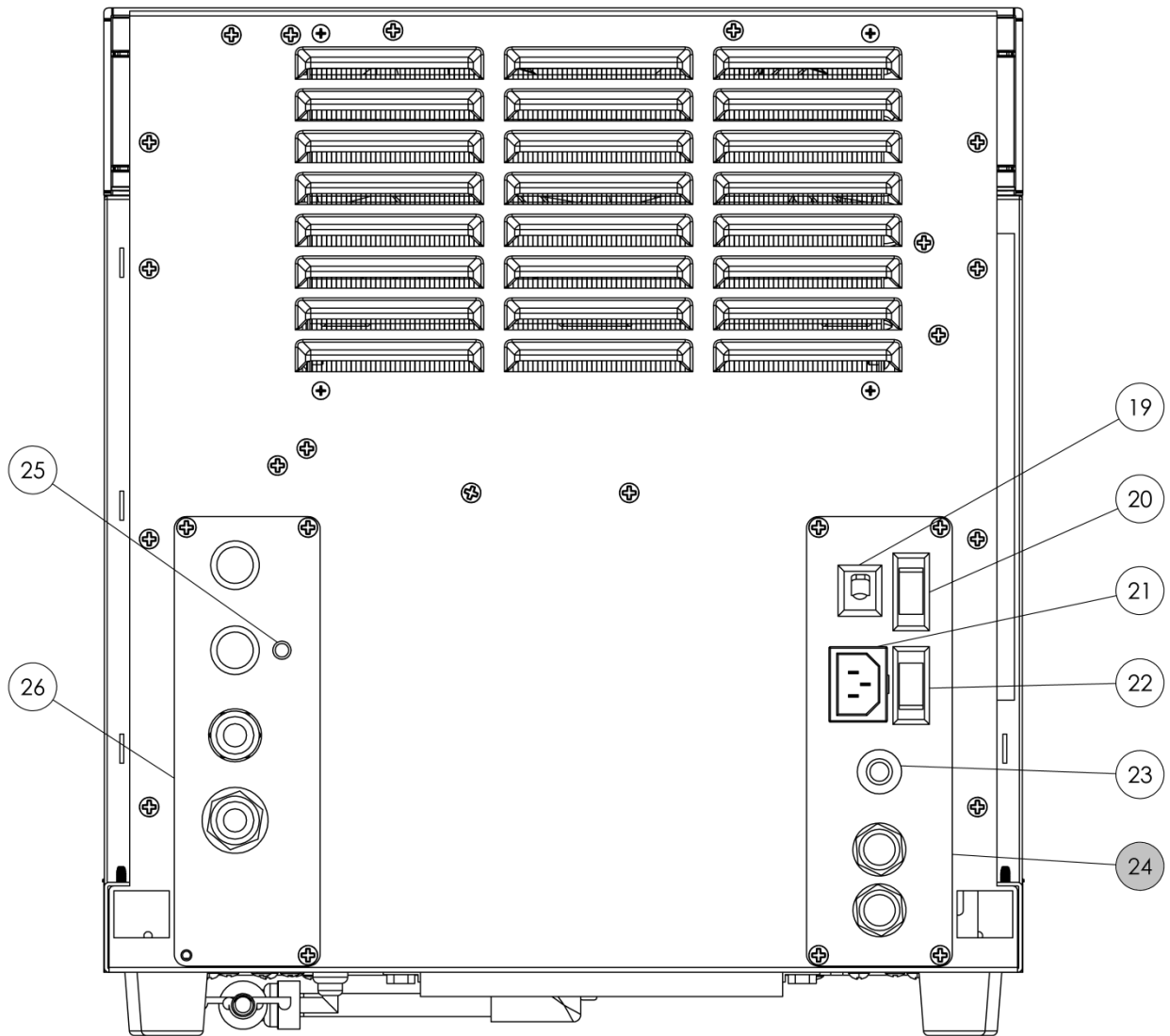
C. Electrical Components Section 2
DWM-20A



C. Electrical Components Section 3 DWM-20A

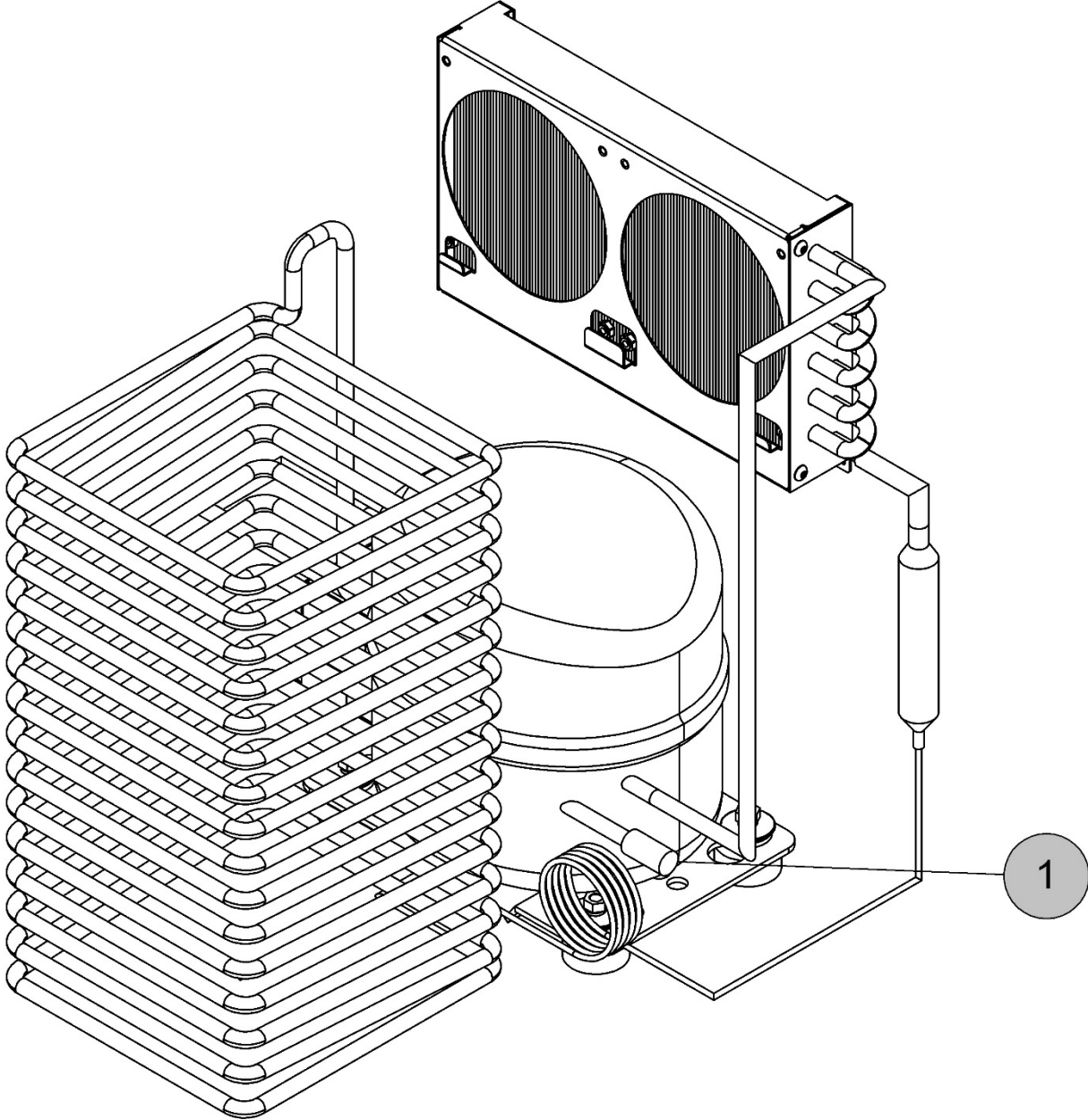


C. Electrical Components Section 4 DWM-20A






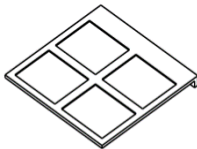
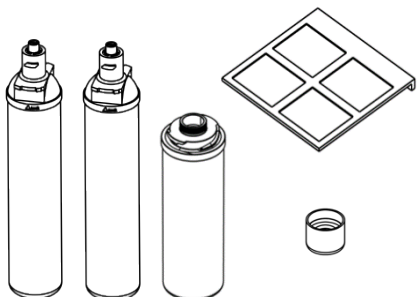
Title: C. Electrical Components Model: DWM-20A						
Index No.	Description	Catalog Part Number	Required Number			
1	Main PCB Assembly	EE1 – S1P01	NOT AVAILABLE FOR FIELD REPLACEMENT			
2	Nozzle Blue LED	EE1 – S1P02				
3	Front Plate Blue LED Light Bar	EE1 – S1P03				
4a	R.G. Small PCB	EE1 – S1P04				
4b	Green LED – Filter					
4c	Red LED – Hot Water					
5a	Front Panel Mounting Bracket	EE1 – S1P05				
5b	Touch Buttons PCB					
5c	Touch Button Panel					
5d	Touch Button Panel Cover					
5e	R.G. Small PCB Assembly					
6	24V DC Power Supply	EE1 – S1P06				
7	Solenoid Valve	EE1 – S2P07				
8	Main Solenoid Valve	EE1 – S2P08				
9	Flow Meter	EE1 – S2P09				
10	Fan	EE1 – S3P10	NOT AVAILABLE FOR FIELD REPLACEMENT			
11	Pump	EE1 – S3P11				
12	Chiller Bucket NTC	EE1 – S3P12	NOT AVAILABLE FOR FIELD REPLACEMENT			
13	Level Sensor	EE1 – S3P13				
14	Agitator	EE1 – S3P14				
15	Hot Water Tank Thermistor	EE1 – S3P15				
16a	Hot Water Tank NTC	EE1 – S3P16				
16b	Hot Water Tank NTC Fastener					
17	Hot Water Tank	EE1 – S3P17				
18	Compressor Relay	EE1 – S3P18				
19	Child Safety Switch	EE1 – S4P19				
20	Hot Water Tank Switch	EE1 – S4P20				
21	Power Entry Module	EE1 – S4P21				
22	Power Switch	EE1 – S4P22				
23	Power Reset Button	EE1 – S4P23				
24	Power Inlet Plate	EE1 – S4P24	NOT AVAILABLE FOR FIELD REPLACEMENT			
25	Filter Reset Button	EE1 – S4P25				
26	Water Inlet Plate	EE1 – S4P26				

D. Refrigeration Circuit Section 1
DWM-20A

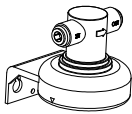

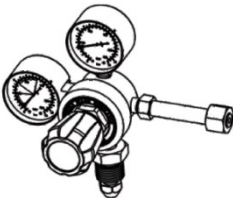
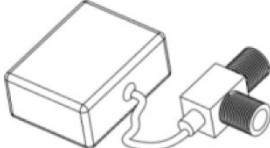
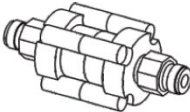
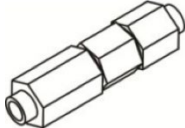
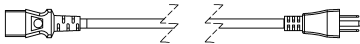



Title: D. Refrigeration Circuit		Model: DWM-20A					
Index No.	Description	Catalog Part Number	Required Number				
1	Refrigerant Refill	RF1 – S1P01	NOT AVAILABLE FOR FIELD REPLACEMENT				

E. Accessories and Labels (Consumable Replacements) Section 1 DWM-20A

Picture No.	Item	Catalog Part Number	Item name	Minimum Order
1		HS-5440	All-in-One Filter Cartridge	2
*Pg. 6		HC1 – S2P15	Alkaline Chamber HS-5442	1
*Pg. 6		HC1 – S2P18	Nozzle Tip w/ Aerator and Gasket	1
*Pg. 6		HC1 – S2P19	Air Filter	1
2		AL1 – S1P02	6 Months Replacement Kit <ul style="list-style-type: none"> • 2x All-in-One Filter Cartridge HS-5441 • 1x Alkaline Chamber HS-5442 • 1x Air Filter • 1x Nozzle Tip w/ Aerator and Gasket 	1

E. Accessories and Labels (Installation Kit Replacements) Section 2 DWM-20A

Picture No.	Item	Catalog Part Number	Item name	Minimum Order
3		AL1 – S2P03	All-in-One Filter Head	1
*Pg. 6		HC1 – S2P14	Alkaline Chamber Head	1
4		AL1 – S2P04	CO ₂ Gas Regulator	1
5		AL1 – S2P05	Leak Detector	1
6		AL1 – S2P06	Water Pressure Regulator	1
7		AL1 – S2P07	Backflow Prevention Valve ASSE 1032	1
8		AL1 – S2P08	Power Cord (6 ft.)	1
9		4A0363-01	Back Bracket	2