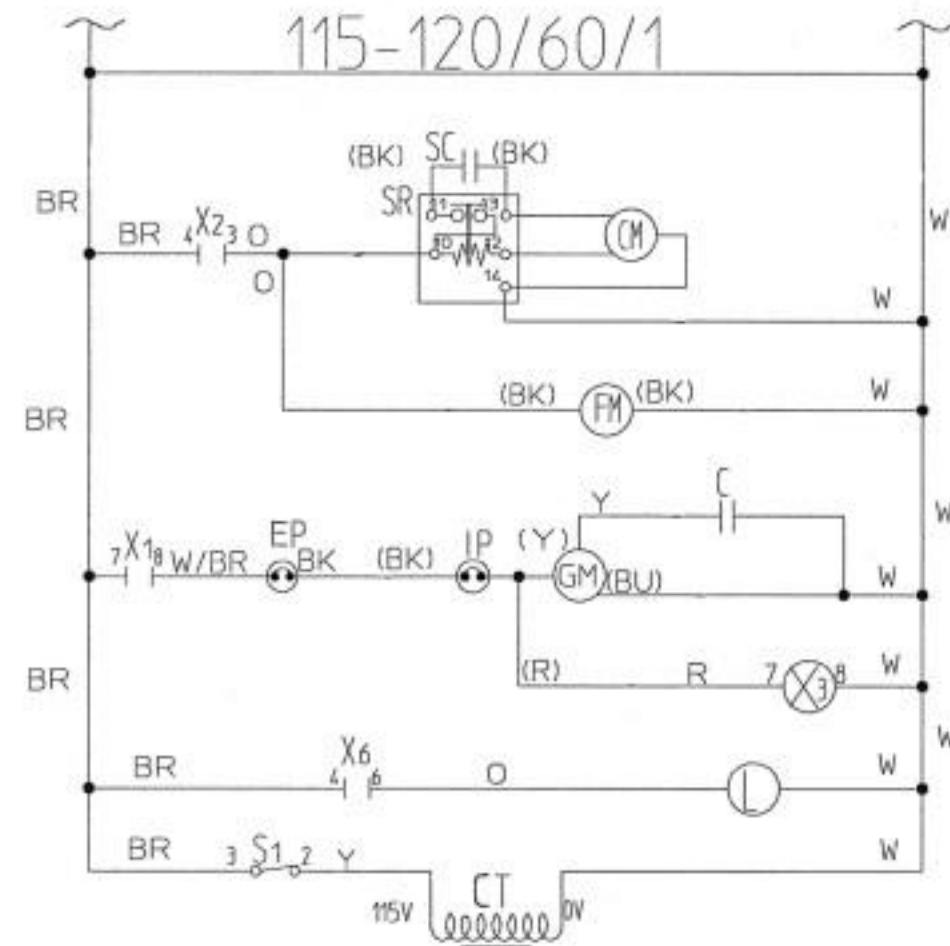


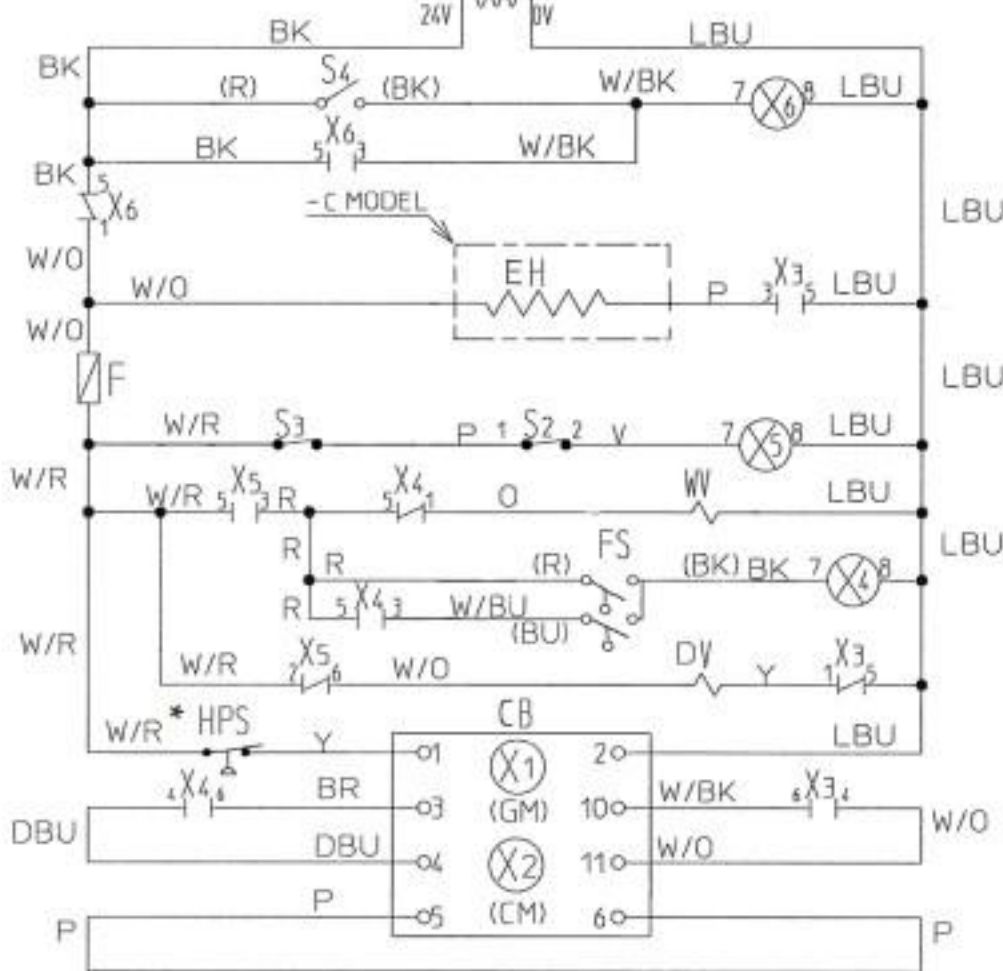
- WIRE COLOR CODE
- BK - BLACK
  - BR - BROWN
  - BU - BLUE
  - DBU - DARK BLUE
  - GR - GREEN
  - GY - GRAY
  - LBU - LIGHT BLUE
  - O - ORANGE
  - P - PINK
  - R - RED
  - V - VIOLET
  - W - WHITE
  - Y - YELLOW
  - W/BK - WHITE BLACK
  - W/BR - WHITE BROWN
  - W/BU - WHITE BLUE
  - W/O - WHITE ORANGE
  - W/R - WHITE RED

115-120/60/1

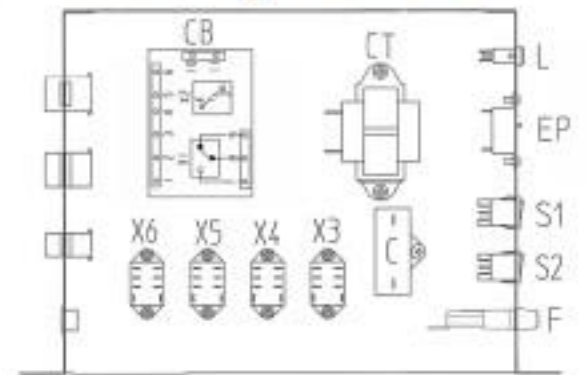


X1	GEAR MOTOR RELAY
X2	COMPRESSOR RELAY
X3	COMPRESSOR DELAY RELAY
X4	WATER CONTROL RELAY
X5	CONTROL RELAY
X6	SAFETY RELAY
CM	COMPRESSOR
GM	GEAR MOTOR
FM	FAN MOTOR
IP	INTERNAL PROTECTOR
EP	EXTERNAL PROTECTOR
L	LAMP
F	FUSE(1A)
S1	POWER SWITCH
S2	FLUSH SWITCH
S3	BIN CONTROL SWITCH
S4	SAFETY SWITCH
WV	INLET WATER VALVE
DV	FLUSH VALVE
FS	FLOAT SWITCH
HPS	HIGH PRESSURE SWITCH
CB	CONTROL BOARD
POWER	POWER CODE
EH	EVAPORATOR HEATER
SC	START CAPACITOR
SR	START RELAY
C	GEAR MOTOR CAPACITOR
CT	CONTROL TRANSFORMER

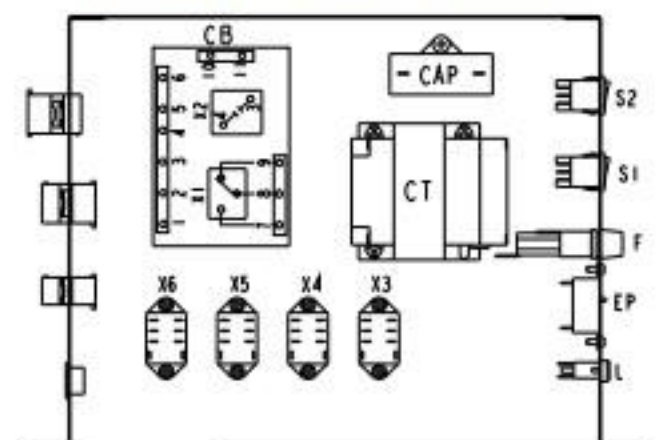
BK	BLACK
BR	BROWN
BU	BLUE
DBU	DARKBLUE
GR	GREEN
LBU	LIGHTBLUE
O	ORANGE
P	PINK
R	RED
V	VIOLET
W	WHITE
Y	YELLOW
W/BK	WHITE/BLACK
W/BR	WHITE/BROWN
W/BU	WHITE/BLUE
W/O	WHITE/ORANGE
W/R	WHITE/RED



Auxiliary Code: S-0

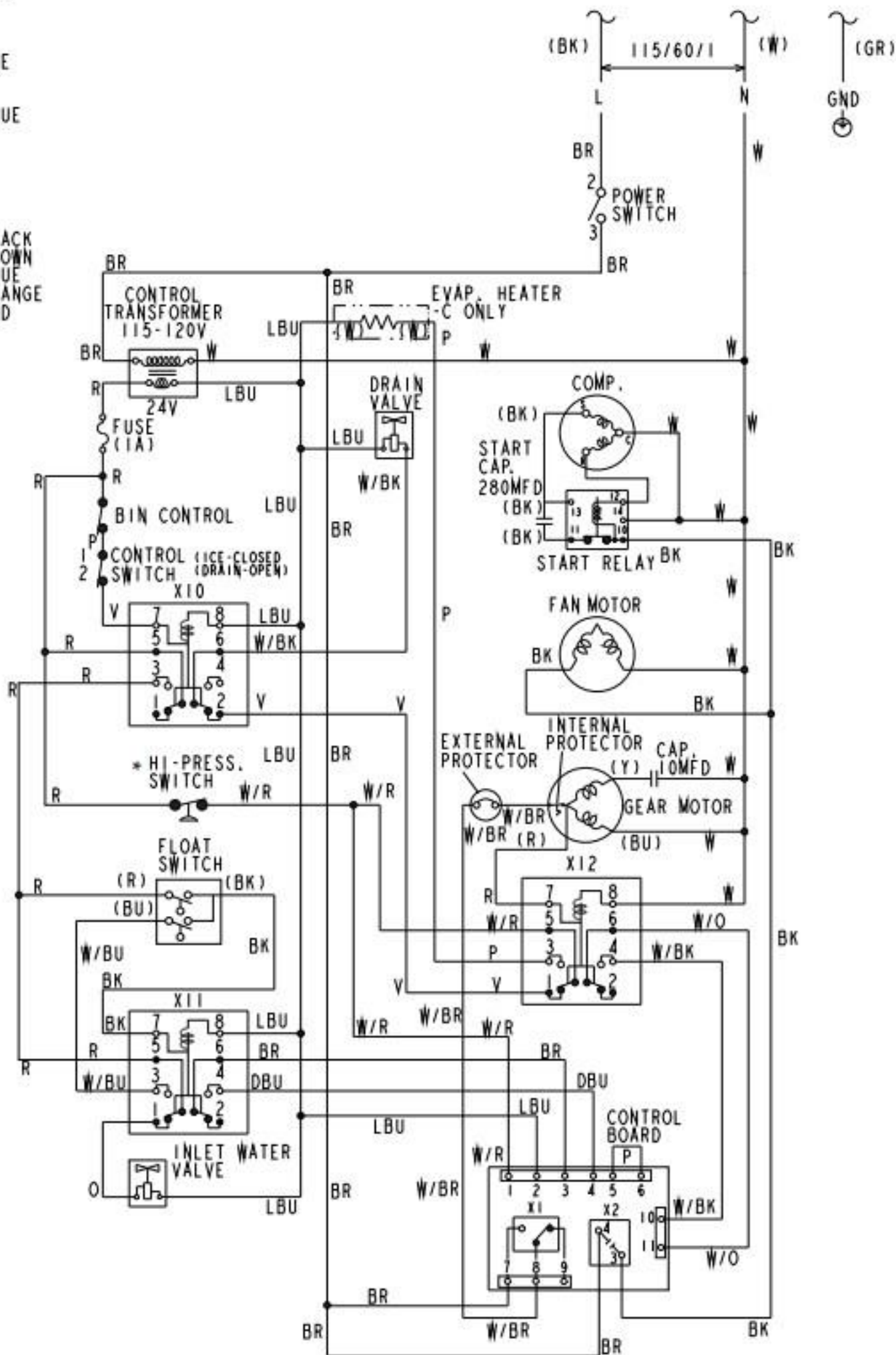


Auxiliary Code: S-1 to C-0



*High-Pressure Switch	
Cut-out	426± <sup>22</sup> / <sub>0</sub> PSIG
Cut-in	341±22 PSIG

WIRE COLOR CODE  
 BK -BLACK  
 BR -BROWN  
 BU -BLUE  
 DBU -DARK BLUE  
 GR -GREEN  
 GY -GRAY  
 LBU -LIGHT BLUE  
 O -ORANGE  
 P -PINK  
 R -RED  
 V -VIOLET  
 W -WHITE  
 Y -YELLOW  
 W/BK -WHITE BLACK  
 W/BR -WHITE BROWN  
 W/BU -WHITE BLUE  
 W/O -WHITE ORANGE  
 W/R -WHITE RED



X1	GEAR MOTOR RELAY
X2	COMPRESSOR RELAY
X10	CONTROL RELAY
X11	WATER CONTROL RELAY
X12	COMPRESSOR DELAY RELAY

*High-Pressure Switch	
Cut-out	426± <sup>22</sup> <sub>0</sub> PSIG
Cut-in	341±22 PSIG

WIRE	COLOR CODE
BK	-BLACK
BR	-BROWN
BU	-BLUE
DBU	-DARK BLUE
GR	-GREEN
GY	-GRAY
LBU	-LIGHT BLUE
O	-ORANGE
P	-PINK
R	-RED
Y	-YELLOW
W	-WHITE
W/BK	-WHITE BLACK
W/BR	-WHITE BROWN
W/BU	-WHITE BLUE
W/O	-WHITE ORANGE
W/R	-WHITE RED

X1	GEAR MOTOR RELAY
X2	COMPRESSOR RELAY
X10	CONTROL RELAY
X11	WATER CONTROL RELAY
X12	COMPRESSOR DELAY RELAY

CAP	CAPACITOR (GEAR MOTOR)
CB	CONTROL BOARD
COMP	COMPRESSOR
CT	CONTROL TRANSFORMER
EP	EXTERNAL PROTECTOR
F	FUSE (1A)
FM	FAN MOTOR
FS	FLOAT SWITCH
GM	GEAR MOTOR
EH	EVAPORATOR HEATER
HPS	HIGH-PRESSURE SWITCH
IP	INTERNAL PROTECTOR
SC	START CAPACITOR
SR	START RELAY
S1	POWER SWITCH
S2	CONTROL SWITCH
S3	BIN CONTROL SWITCH
WV	INLET WATER VALVE
DV	DRAIN VALVE
X1	GEAR MOTOR RELAY
X2	COMPRESSOR RELAY
X10	CONTROL RELAY
X11	WATER CONTROL RELAY
X12	COMPRESSOR DELAY RELAY

*High-Pressure Switch	
Cut-out	426± <sup>22</sup> / <sub>0</sub> PSIG
Cut-in	341±22 PSIG

