



HOSHIZAKI

Parts List

Self-Contained Cuber

Models

IM-200BAK



hoshizakiamerica.com

Number: 71452
Issued: 10-30-2025

CONTENTS

Auxiliary Codes.....	3
Note About Ordering Parts	3
A. Main Assembly & Refrigeration Circuit	4
B. Water Circuit & Mechanism Assembly	8
C. Control Box Assembly	10
D. Accessories & Labels	11

Auxiliary Codes

IM-200BAK

Q-0 June 2025

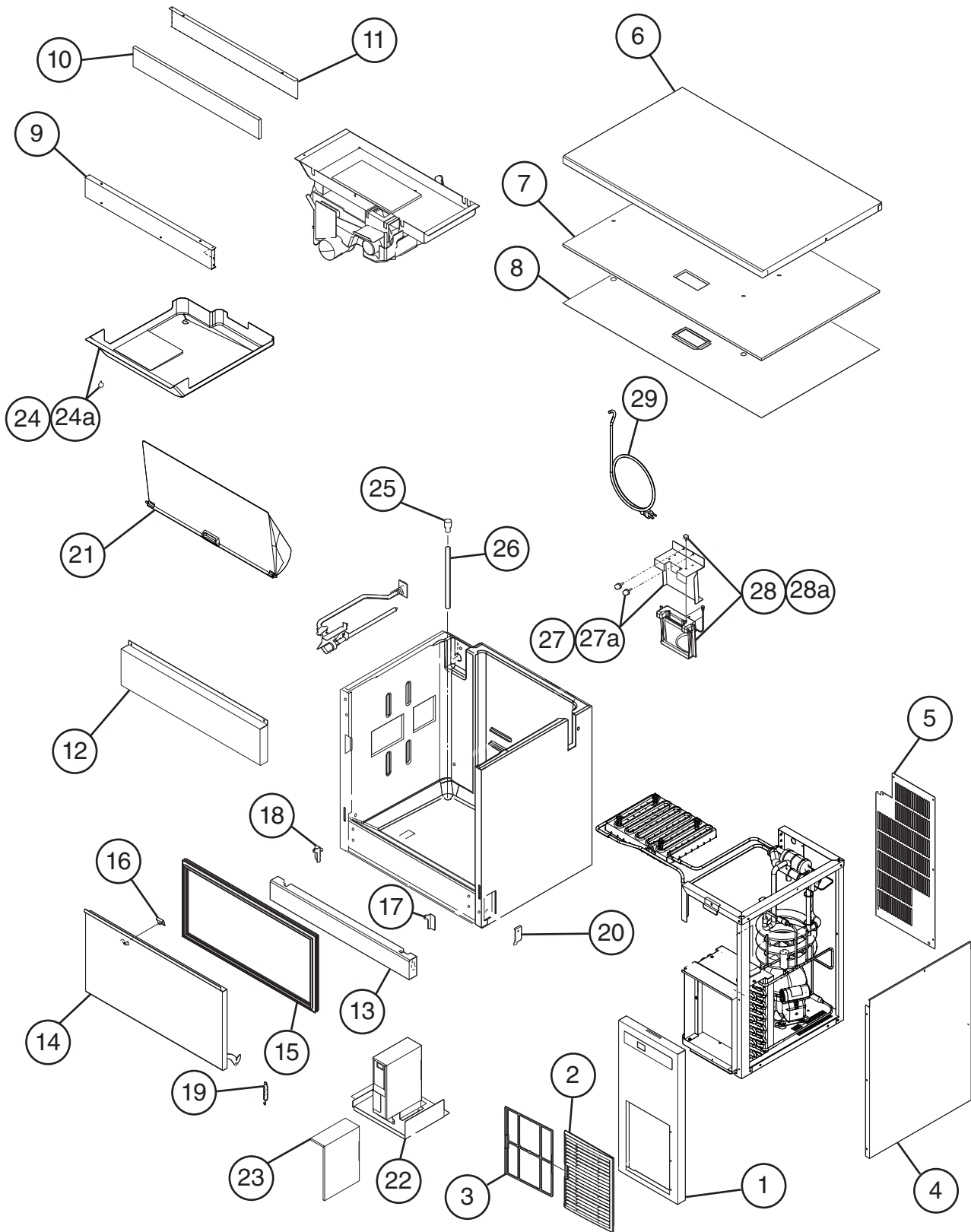
Auxiliary Code Breakdown

The auxiliary code is the first two characters in the serial number. The first character indicates the year. Years progress or regress in alphabetical order. The series runs from "A" through "V" and the letters "I" and "O" are skipped. The second character indicates significant part changes within a year. Base is "0" and this number advances for each change. In cases where there is a letter in parentheses, this designates the month. This is the last character in the serial number. The series runs from "(A)" through "(M)" and the letter "(I)" is skipped. This designation is only included when identifying a parts change within an auxiliary code.

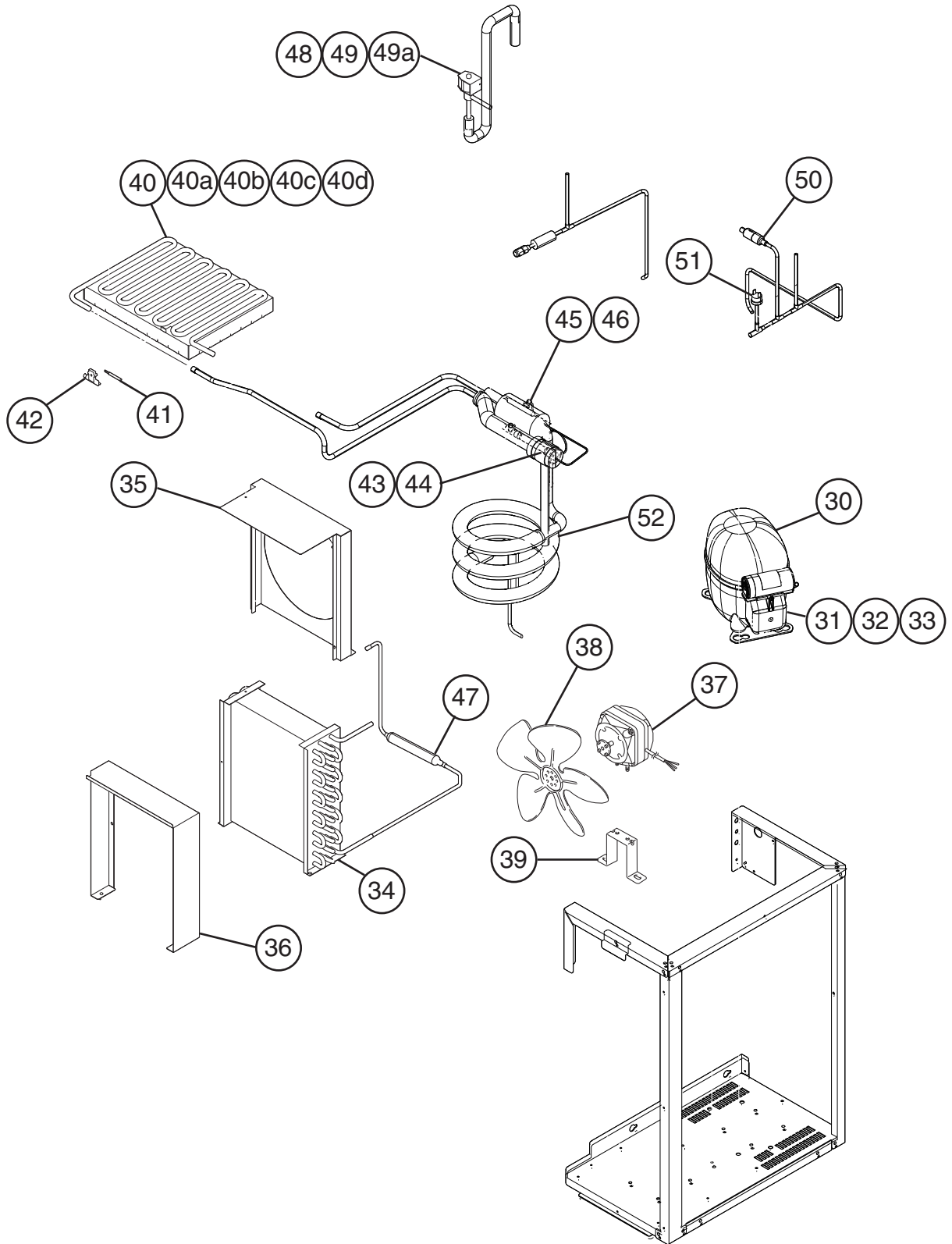
Note About Ordering Parts

Most assemblies cannot be ordered as complete units; parts in the assemblies generally must be ordered separately.

A. Main Assembly & Refrigeration Circuit
IM-200BAK
1/2
Q-0



A. Main Assembly & Refrigeration Circuit
IM-200BAK
2/2
Q-0



Title: A. Main Assembly & Refrigeration Circuit Model: IM-200BAK												
Index No.	Description	Material or Model Number	Part Number	Required Number								
				Q-0								
Ice Cuber Assembly												
1	Front Cover Assembly (includes items 2 and 3)		3B0061A01	1								
2	Louver Assembly (includes item 3)		2A6649A02	1								
3	Air Filter		2A2063G01	1								
4	Right Side Panel		2A9046-01	1								
5	Rear Panel		268093M01	1								
6	Top Panel		1A5487-01	1								
7	Top Insulation		3Y6327P01	1								
8	Top Plate		381968G01	1								
9	Front Frame		3B0121-01	1								
10	Front Frame Insulation		4Y7624P01	1								
11	Front Frame (B)		3B0122-01	1								
12	Upper Front Cover		3B0058G01	1								
13	Lower Front Cover		3B0059G02	1								
14	Door Assembly (Includes items 15 and 16)		3B0479A01	1								
15	Gasket		3Y8291P04	1								
16	Door Catch		4X7644-01	1								
17	Right Hinge		4H2583-01	1								
18	Left Hinge		4H2584-01	1								
19	Spring		4X5209-01	1								
20	Spring Bracket		4Y7620M01	1								
21	Slope		3H2978G01	1								
22	Control Box Plate		2A9044-01	1								
23	Control Box Cover		3B2273-01	1								
24	Drain Pan		2H6143G01	1								
24a	Thumbscrew		415949G10	1								
25	Drain Tube		4H2585-01	1								
26	Drain Pipe		4Y7493P03	1								
27	Mounting Bracket		4A6457G01	1								
27a	Thumbscrew		415949G10	2								
28	Mechanical Bin Control		2A8598G01	1								
28a	Thumbscrew		415949G10	2								
29	Power Supply Cord		P00004-01	1								

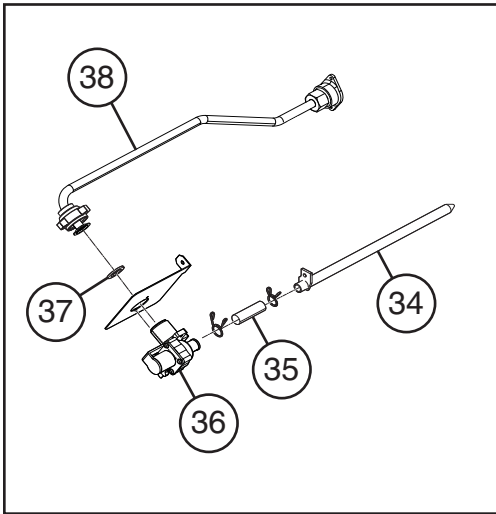
Title: A. Main Assembly & Refrigeration Circuit Model: IM-200BAK													
Index No.	Description	Material or Model Number	Part Number	Required Number									
				Q-0									
Refrigeration Circuit													
30	Compressor		4A7385-01	1									
31	Start Relay		4A7405-01	1									
32	Start Capacitor	189-227MFD, 220VAC	4A7404-01	1									
33	Overload Protector		4A7438-02	1									
34	Condenser		P03374-01	1									
35	Shroud (A)		2X0938M01	1									
36	Shroud (B)		3Y6296M01	1									
37	Condenser Fan Motor		P00466-01	1									
38	Condenser Fan Blade		451771-01	1									
39	Condenser Fan Bracket		3Y6143M01	1									
40	Evaporator		3Y9249G01	1									
40a	Collar		3H3879-01	4									
4b	Screw - Evaporator		4Y4922M02	4									
40c	Washer		7W22-0600	4									
40d	Hex Flange Nut 6 SUS		7J02-0600	8									
41	Thermistor		P00350-01	1									
42	Thermistor Holder		315479-01	1									
43	Thermostatic Expansion Valve		4A7497-05	1									
44	Thermostatic Expansion Valve Cover		4A7233-01	1									
45	Thermostatic Expansion Valve Bulb Holder		4A7659-01	1									
46	Clamp		443461-01	1									
47	Drier		458776-01	1									
48	Hot Gas Valve		4A3978-01	1									
49	Coil Valve		4A3277-01	1									
49a	Bolt	M4X0.7	4A3277F01	1									
50	Strainer		441569-04	1									
51	High-Pressure Switch		4A6039-01	1									
52	Heat Exchanger		271728G01	1									

B. Water Circuit & Mechanism Assembly

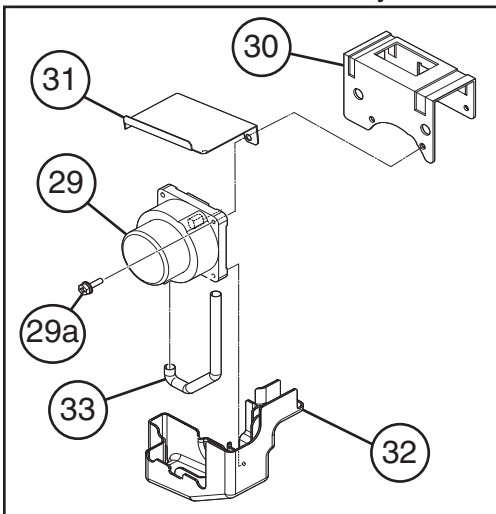
IM-200BAK

Q-0

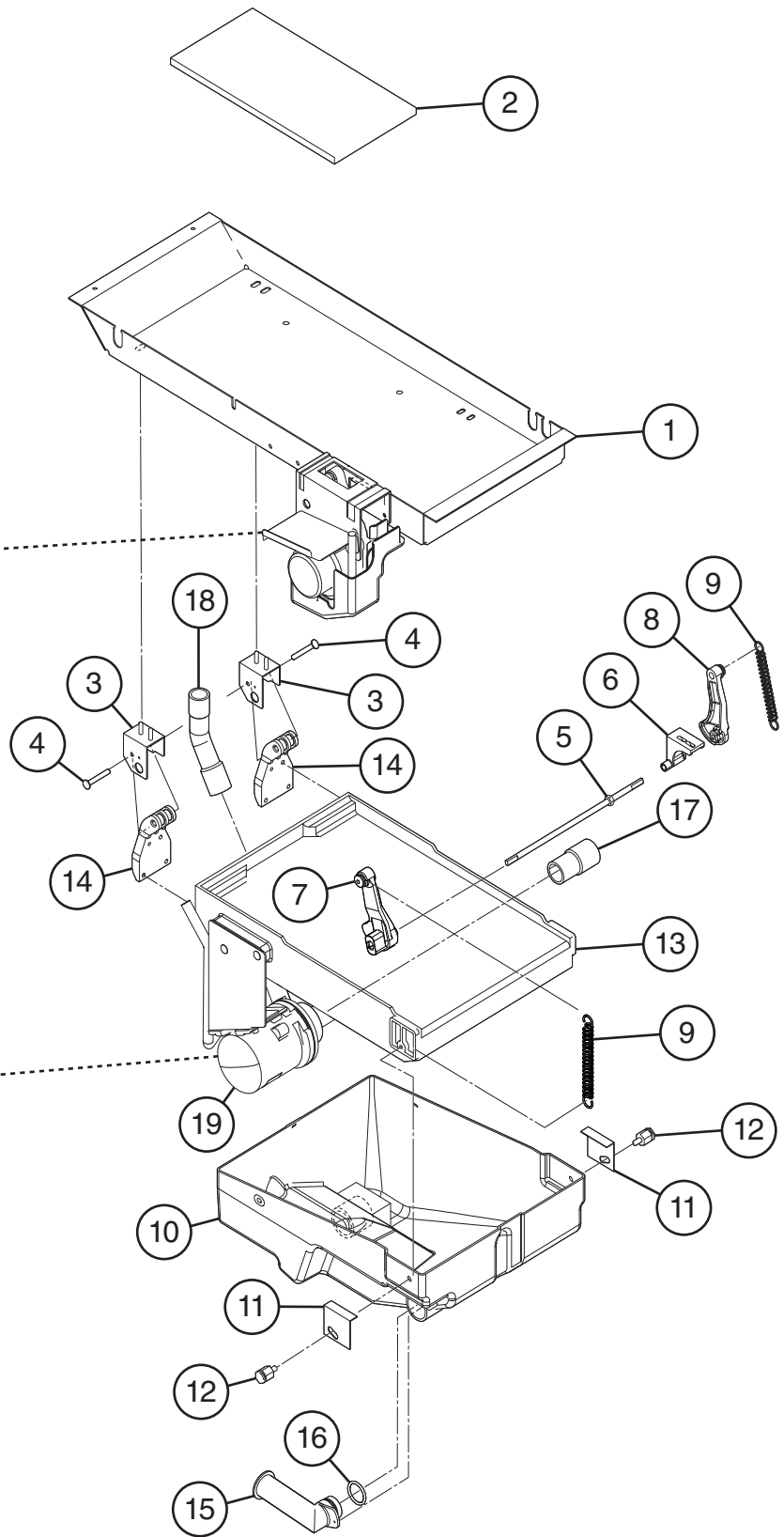
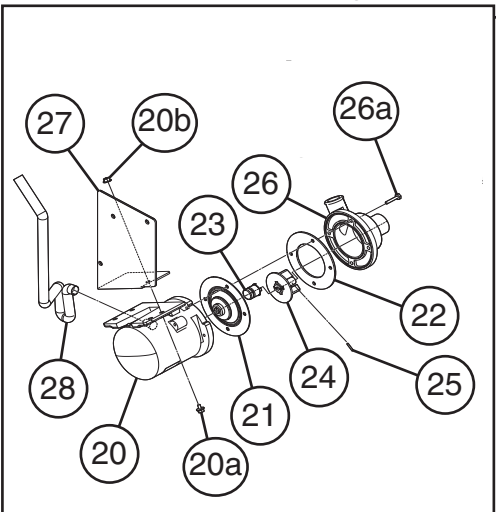
Water Circuit



Actuator Motor Assembly

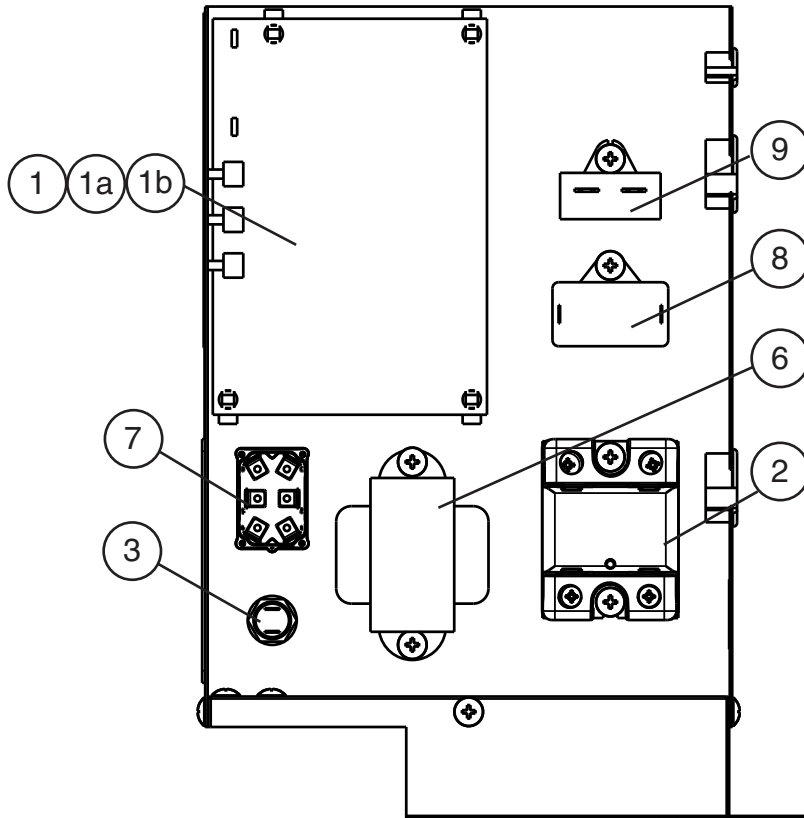


Pump Motor Assembly



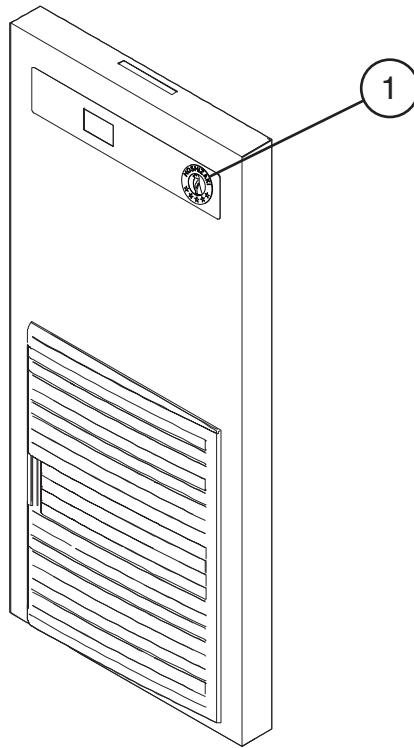
Title: B. Mechanism Assembly & Water Circuit Model: IM-200BAK											
Index No.	Description	Material or Model Number	Part Number	Required Number							
				Q-0							
1	Base		2A9068-01	1							
2	Insulation (D)		4Y7504P01	1							
3	Bearing Plate		3H1440G03	2							
4	Shaft (B)		4H1184-02	2							
5	Cam Shaft		4H2702G02	1							
6	Cam Shaft Bearing		3X8307-02	1							
7	Cam (A)		306543G04	1							
8	Cam (B)		376546P01	1							
9	Spring		4H0287-01	2							
10	Water Tank		2H2286G01	1							
11	Bracket		402957-01	2							
12	Boss Holder		4H2582G01	2							
13	Water Pan		2H0833G02	1							
14	Water Pan Hangar		3H2059-01	1							
15	Drain Pipe		315530-01	1							
16	O-Ring		4A4755-06	1							
17	Suction Tube		4Y7518G01	1							
18	Discharge Tube		4Y6642R01	1							
19	Pump Motor Assembly (includes items 20 through 28)		2B0628A01	1							
20	Pump Motor		2A2758-01	1							
20a	Screw		7C32-0416	4							
20b	Flange Nut		7J02-0400	4							
21	Pump Flange		3A2988-01	1							
22	Pump Gasket		4A2974-01	1							
23	Mechanical Seal		465627-03	1							
24	Impeller		433522-01	1							
25	Pin		4A0648-01	1							
26	Pump Housing		261284P01	1							
26a	Screw	4x20	4A3871-01	4							
27	Pump Motor Bracket		381996M01	1							
28	Pump Motor Tube		8104-0004	1							
29	Actuator Motor		P02382-01	1							
29a	Hex Head Bolt		FBK0620S0	2							
30	Actuator Motor Bracket		3Y3992M02	1							
31	Actuator Motor Shield		476684M01	1							
32	Actuator Motor Cover		1H4881P01	1							
33	Actuator Motor Tube		8104-0003	1							
34	Water Supply Pipe		381316G01	1							
35	Silicone Hose	55 mm	7730-1114	1							
36	Inlet Water Valve		3B1433-09	1							
37	Rubber Gasket		413854-03	1							
38	Water Supply Pipe (A)		387832A01	1							

C. Control Box Assembly
IM-200BAK
 Q-0



Title: C. Control Box Assembly Model: IM-200BAK					Required Number												
Index No.	Description	Material or Model Number	Part Number	Q-0													
1	Control Board		P01873-02	1													
1a	Control Board Support		P04204-01	4													
1b	Control Board Fuse		P01873F01	1													
2	Power Relay	30A, 120VAC	4A7681-02	1													
3	Fuse Assembly (Includes 4 and 5)		483425A01	1													
4	Fuse Holder		P02829-01	1													
5	Fuse	AGC-5A, 250VAC	P04203-01	1													
6	Transformer		3A4395-01	1													
7	Toggle Switch		4A7449-01	1													
8	Pump Motor Capacitor	5.5MFD, 250VAC	4A6435-03	1													
9	Actuator Motor Capacitor	0.8MFD, 450VAC	P06515-01	1													

D. Accessories & Labels
IM-200BAK
 Q-0



Title: D. Accessories & Labels Model: IM-200BAK												
Index No.	Description	Material or Model Number	Part Number	Required Number								
				Q-0								
1	Operation Label		374135L03	1								
2	Leg		4A2525-01	5								
3	Scoop		2X4119P01	1								