



Reliability is a
beautiful thing™

HOSHIZAKI® CRESCENT CUBER

MODELS

KM-150BAF

KM-150BWF

SERVICE MANUAL



NUMBER: 73066
ISSUED: FEB. 27, 1998
REVISED: DEC. 14, 2003

IMPORTANT

Only qualified service technicians should attempt to service or maintain this icemaker. No such service or maintenance should be undertaken until the technician has thoroughly read this Service Manual.

HOSHIZAKI provides this manual primarily to assist qualified service technicians in the service and maintenance of the icemaker.

Should the reader have any questions or concerns which have not been satisfactorily addressed, please call or write to the HOSHIZAKI Technical Support Department for assistance.

HOSHIZAKI AMERICA, INC.
618 Highway 74 South
Peachtree City, GA 30269

Attn: HOSHIZAKI Technical Support Department

Phone: 1-800-233-1940 Technical Service
(770) 487-2331
Fax: (770) 487-3360

NOTE: To expedite assistance, all correspondence/communication **MUST** include the following information:

- Model Number
- Serial Number
- Complete and detailed explanation of the problem

- Please review this manual. It should be read carefully before the icemaker is serviced or maintenance operations performed. Only qualified service technicians should service and maintain the icemaker. This manual should be made available to the technician prior to service or maintenance.

CONTENTS

	PAGE
I. SPECIFICATIONS	5
1. KM-150BAF (Air-cooled)	5
2. KM-150BWF (Water-cooled)	6
II. GENERAL INFORMATION	7
1. CONSTRUCTION	7
[a] KM-150BAF	7
[b] KM-150BWF	8
2. CONTROLLER BOARD	9
[a] SOLID-STATE CONTROL	9
[b] CONTROLLER BOARD	9
[c] SEQUENCE	16
[d] CONTROLS AND ADJUSTMENTS	18
[e] CHECKING THE CONTROLLER BOARD	21
3. SWITCHES	24
III. TECHNICAL INFORMATION	25
1. WATER CIRCUIT AND REFRIGERANT CIRCUIT	25
[a] KM-150BAF (Air-cooled)	25
[b] KM-150BWF (Water-cooled)	26
2. WIRING DIAGRAM	27
3. TIMING CHART	28
4. PERFORMANCE DATA	30
[a] KM-150BAF (Air-cooled)	30
[b] KM-150BWF (Water-cooled)	31
IV. SERVICE DIAGNOSIS	32
1. NO ICE PRODUCTION	32
2. EVAPORATOR IS FROZEN UP	35
3. LOW ICE PRODUCTION	36
4. ABNORMAL ICE	36
5. OTHERS	36

V. REMOVAL AND REPLACEMENT OF COMPONENTS.....	37
1. SERVICE FOR REFRIGERANT LINES	37
[a] REFRIGERANT RECOVERY	37
[b] EVACUATION AND RECHARGE	37
2. BRAZING	38
3. REMOVAL AND REPLACEMENT OF COMPRESSOR.....	39
4. REMOVAL AND REPLACEMENT OF DRIER	40
5. REMOVAL AND REPLACEMENT OF EXPANSION VALVE	41
6. REMOVAL AND REPLACEMENT OF HOT GAS VALVE	42
7. REMOVAL AND REPLACEMENT OF EVAPORATOR	43
8. REMOVAL AND REPLACEMENT OF WATER-REGULATING VALVE	
- WATER-COOLED MODEL ONLY	44
9. ADJUSTMENT OF WATER-REGULATING VALVE	
- WATER-COOLED MODEL ONLY	45
10. REMOVAL AND REPLACEMENT OF THERMISTOR	46
11. REMOVAL AND REPLACEMENT OF FAN MOTOR	
- EXCEPT WATER-COOLED MODEL	47
12. REMOVAL AND REPLACEMENT OF WATER VALVE	47
13. REMOVAL AND REPLACEMENT OF PUMP MOTOR.....	48
14. REMOVAL AND REPLACEMENT OF FLOAT SWITCH	49
15. REMOVAL AND REPLACEMENT OF SPRAY TUBE	49
VI. CLEANING AND MAINTENANCE INSTRUCTIONS	50
1. PREPARING THE ICEMAKER FOR LONG STORAGE.....	50
2. CLEANING AND SANITIZING PROCEDURES	52
[a] CLEANING PROCEDURE	52
[b] SANITIZING PROCEDURE	54
3. MAINTENANCE	55

I. SPECIFICATIONS

1. KM-150BAF

AC SUPPLY VOLTAGE	115/60/1		
AMPERAGE	8 A (5 Min. Freeze AT 104° F / WT 80° F)		
MINIMUM CIRCUIT AMPACITY	20A		
MAXIMUM FUSE SIZE	20A		
APPROX. ICE PRODUCTION PER 24 HR.	Ambient Temp. (°F)	Water Temp. (°F)	
lbs./day (kg./day)		50	70
Reference without *marks		90	
	70	*150 (68)	137 (62)
	80	135 (61)	122 (55)
	90	124 (56)	*114 (52)
	100	100 (45)	97 (44)
			95 (43)
SHAPE OF ICE	Crescent Cube		
ICE PRODUCTION PER CYCLE	2.6 lbs. (1.17 kg.) 130 pcs.		
APPROXIMATE STORAGE CAPACITY	70 lbs.		
ELECTRIC & WATER CONSUMPTION	90°F/70°F	70°F/50°F	
ELECTRIC W (KWH/100 lbs.)	613 (12.9)	577 (9.2)	
WATER gal./24 HR. (gal./100 lbs.)	40.9 (35.9)	61.5 (41)	
EXTERIOR DIMENSIONS (WxDxH)	25" x 28" x 39.1" (635 x 711 x 994 mm.)		
	Includes 6" leg		
EXTERIOR FINISH	P.V.C coated galvanized steel; Polyethylene Galvanized steel (rear); Stainless steel (top)		
WEIGHT	Net 171 lbs. (77 kg.) Shipping 206 lbs (93 kg.)		
CONNECTIONS - ELECTRIC	Cord Connection		
- WATER SUPPLY	Inlet 3/8" Flare		
- DRAIN	Outlet 3/4" FPT		
CUBE CONTROL SYSTEM	Float Switch		
HARVESTING CONTROL SYSTEM	Hot Gas and Water, Thermistor and Timer		
ICE MAKING WATER CONTROL	Timer Controlled, Overflow Pipe		
COOLING WATER CONTROL	N/A		
BIN CONTROL SYSTEM	Thermostat		
COMPRESSOR	Copeland, JS25C1E-IAA-252		
CONDENSER	Air-cooled, Fin and Tube type		
EVAPORATOR	Vertical type, Stainless Steel and Copper		
REFRIGERANT CONTROL	Thermostatic Expansion Valve		
REFRIGERANT CHARGE	R404A, 12.7 oz. (360 g)		
DESIGN PRESSURE	High 458 PSIG, Low 170 PSIG		
P.C. BOARD CIRCUIT PROTECTION	High Voltage Cut-out (Internal)		
COMPRESSOR PROTECTION	Auto-reset Overload Protector (Internal)		
REFRIGERANT CIRCUIT PROTECTION	Auto-reset High Pressure Control Switch		
LOW WATER PROTECTION	Float Switch		
ACCESSORIES - SUPPLIED	Ice Scoop; 6" Leg, 4 pcs.		
- REQUIRED	N/A		
OPERATION CONDITIONS	VOLTAGE RANGE	104 - 127 V	
	AMBIENT TEMP.	45 - 100° F	
	WATER SUPPLY TEMP.	45.- 90° F	
	WATER SUPPLY PRESS.	10 - 113 PSIG	

* We reserve the right to make changes in specifications and design without prior notice.

2. KM-150BWF

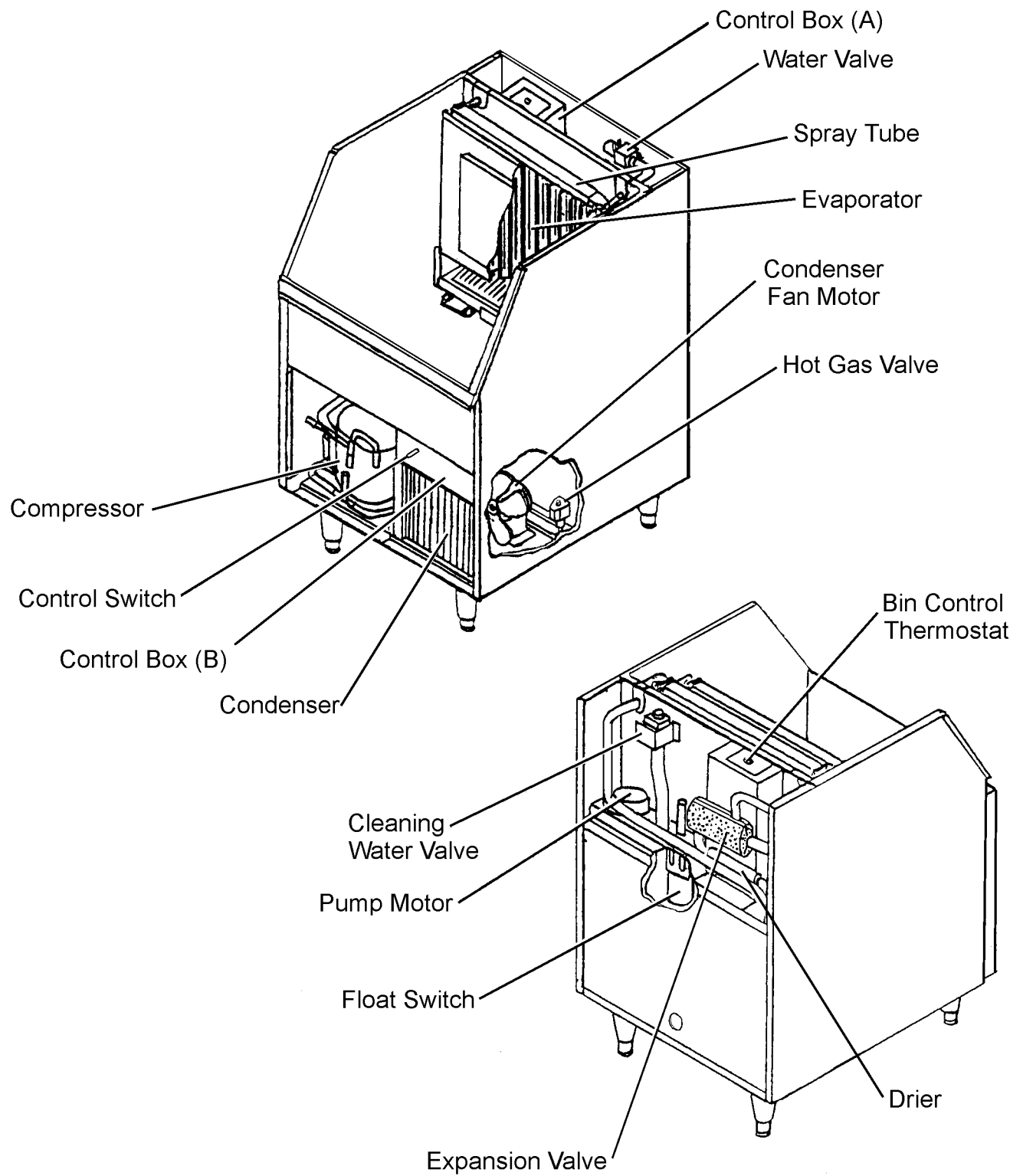
AC SUPPLY VOLTAGE	115/60/1		
AMPERAGE	7.5 A (5 Min. Freeze AT 104°F / WT 80°F)		
MINIMUM CIRCUIT AMPACITY	15 A		
MAXIMUM FUSE SIZE	15 A		
APPROXIMATE ICE PRODUCTION PER 24 HR. lbs./day (kg/day) Reference without *marks	Ambient Temp.(°F)	WATER TEMP. (°F)	
		50	70
	70	* 141 (64)	129 (58)
	80	134 (61)	113 (51)
	90	130 (58)	* 100 (45)
	100	128 (58)	99 (45)
		90	122 (55)
			112 (51)
			96 (44)
			93 (42)
SHAPE OF ICE	Crescent Cube		
ICE PRODUCTION PER CYCLE	2.6 lbs. (1.2 kg) 130 pcs.		
APPROXIMATE STORAGE CAPACITY	70 lbs.		
ELECTRIC & WATER CONSUMPTION	90/70°F	70/50°F	
ELECTRIC W (kWH/100 lbs.)	550 (13.2)	523 (8.9)	
WATER gal./24HR (gal./100 lbs.)	36 (36.4)	57 (40.7)	
WATER COOLED CONDENSER gal./24HR (gal./100 lbs.)	231 (231)	134 (95)	
EXTERIOR DIMENSIONS (WxDxH)	25" x 28" x 39.1" (635 x 711 x 994 mm)		
	Includes 6" leg		
EXTERIOR FINISH	P.V.C. coated galvanized steel; Polyethylene Galvanized steel (rear); Stainless steel (top)		
WEIGHT	Net 171 lbs. (77 kg), Shipping 206 lbs. (93 kg)		
CONNECTIONS - ELECTRIC	Cord Connection		
- WATER SUPPLY	Inlet 3/8" Flare	Cond. Inlet	1/2" FPT
- DRAIN	Outlet 3/4" FPT	Cond. Outlet	1/2" FPT
CUBE CONTROL SYSTEM	Float Switch		
HARVESTING CONTROL SYSTEM	Hot Gas and Water, Thermistor and Timer		
ICE MAKING WATER CONTROL	Timer Controlled. Overflow Pipe		
COOLING WATER CONTROL	Pressure Regulator		
BIN CONTROL SYSTEM	Thermostat		
COMPRESSOR	Hermetic, Model JS25C1E-IAA		
CONDENSER	Water-cooled, Tube in tube type		
EVAPORATOR	Vertical type, Stainless Steel and Copper		
REFRIGERANT CONTROL	Thermostatic Expansion Valve		
REFRIGERANT CHARGE	R-404A, 11.6 oz. (330 g)		
DESIGN PRESSURE	High 415 PSIG, Low 210 PSIG		
P.C. BOARD CIRCUIT PROTECTION	High Voltage Cut-out (Internal)		
COMPRESSOR PROTECTION	Auto-reset Overload Protector (Internal)		
REFRIGERANT CIRCUIT PROTECTION	Auto-reset High Pressure Control Switch		
LOW WATER PROTECTION	Float Switch		
ACCESSORIES -SUPPLIED	Ice Scoop; 6" Leg, 4 pcs.		
-REQUIRED	N/A		
OPERATING CONDITIONS	VOLTAGE RANGE	104 - 127 V	
	AMBIENT TEMP.	45 - 100° F	
	WATER SUPPLY TEMP.	45 - 90° F	
	WATER SUPPLY PRESSURE	10 - 113 PSIG	
DRAWING NO. (DIMENSION)	339416		

* We reserve the right to make changes in specifications and design without prior notice.

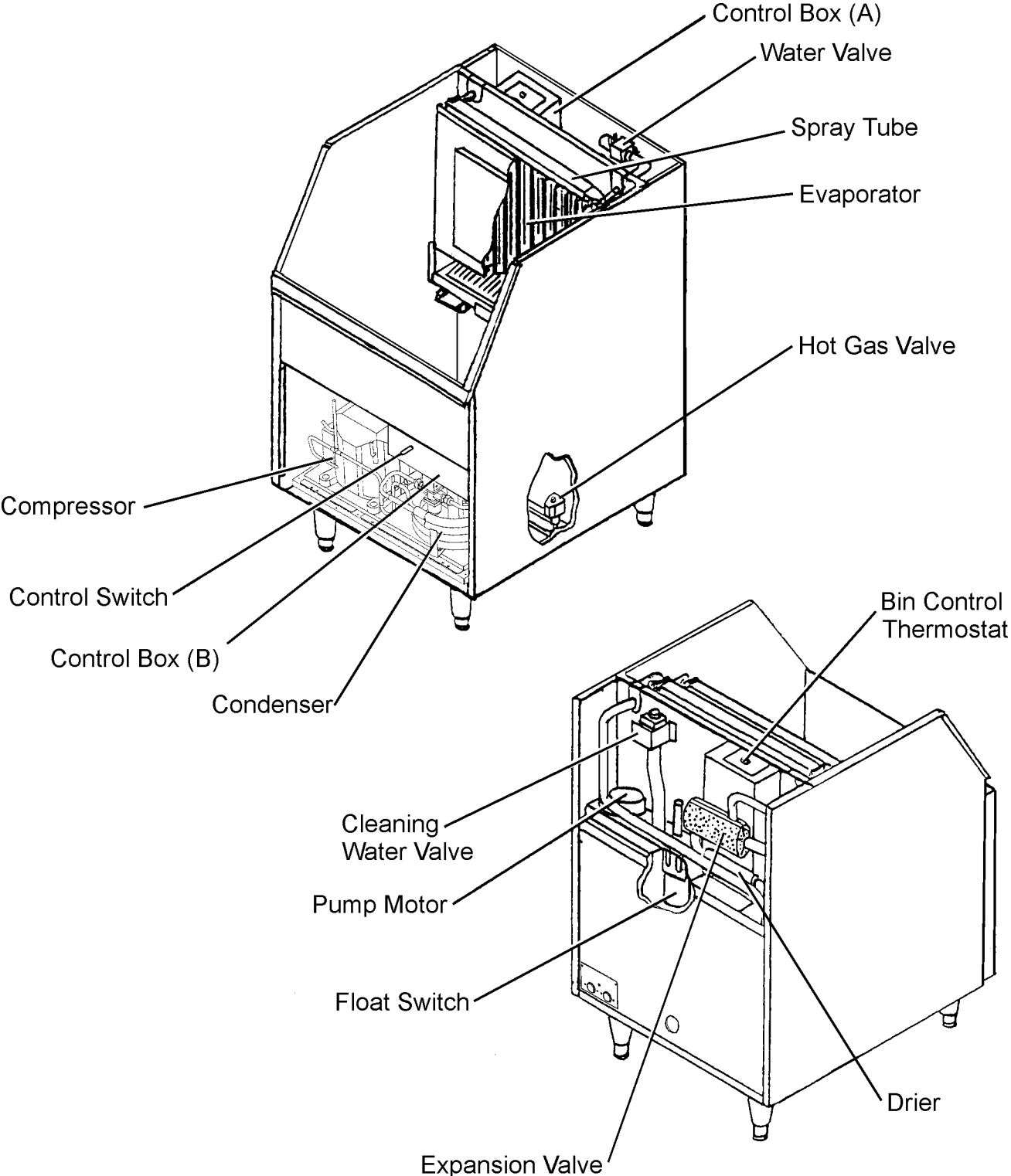
II. GENERAL INFORMATION

1. CONSTRUCTION

[a] KM-150BAF



[b] KM-150BWF



2. CONTROLLER BOARD

[a] SOLID-STATE CONTROL

- 1) A HOSHIZAKI exclusive solid-state control is employed in KM-150BAF and KM-150BWF Crescent Cubers.
- 2) A Printed Circuit Board (hereafter called "Controller Board") includes a stable and high quality control system.
- 3) All models are pretested and factory-adjusted.

[b] CONTROLLER BOARD

CAUTION

1. Fragile, handle very carefully.
2. A controller board contains integrated circuits, which are susceptible to failure due to static discharge. It is especially important to touch the metal part of the unit when handling or replacing the board.
3. Do not touch the electronic devices on the board or the back of the board to prevent damage to the board.
4. Do not change wiring and connections. Especially, never misconnect K3, K4 and K5, because the same connector is used for the Thermistor and Float Switch. K4 is not connected.
5. Do not fix the electronic devices or parts on the board in the field. Always replace the whole board assembly when it goes bad.
6. Do not short out power supply to test for voltage.

KM-150B_F models use either the Alpine Controller Board (orange):

PART NUMBER	TYPE
2U0127-01	MY9KM910 (Alpine) MY9KM91B (Alpine)

OR the Control Products Board (green):

PART NUMBER	TYPE
2A0836-01	HOSHIZAKI 001 (Control Products - 8 Pin)

OR the Control Products Improved "E" Board (green):

PART NUMBER	TYPE
2A1410-01	HOS-001A (Control Products - 10 Pin)

Features of All Three Controller Boards

(1) Maximum Water Supply Period - 6 minutes

Water Solenoid Valve opening, in the Defrost (Harvest) Cycle, is limited by maximum period of the defrost timer. The Water Valve cannot remain open longer than the maximum period. The Water Valve can close in less than the maximum period if the defrost cycle is completed.

(2) Defrost Timer

The defrost cycle starts when the Float Switch opens and completes the freeze cycle. But the Defrost Timer does not start counting until the Thermistor senses 48°F at the Evaporator outlet. The period from the end of the freeze cycle up to the point of the Thermistor's sensing varies depending on the ambient and water temperatures.

(3) High Temperature Safety - 127 ± 7°F

The temperature of the suction line in the refrigerant circuit is limited by the High Temperature Safety.

During the defrost cycle the Evaporator temperature rises. The Thermistor senses 48°F and starts the Defrost Timer. After the Defrost Timer counts down to zero, the normal freeze cycle begins. If the Evaporator temperature continues to rise, the Thermistor will sense the rise in temperature and at 127 ± 7°F the Thermistor operates the High Temperature Safety.

This High Temperature Safety shuts down the circuit and the icemaker automatically stops. To reset the safety, turn the power off and back on again.

This High Temperature Safety protects the unit from excessive temperature.

(4) Low Water Safety

If the Pump Motor is operated without water, the mechanical seal can fail. To prevent this type of failure, the Controller Board checks the position of the Float Switch at the end of the initial one minute water fill cycle and at the end of each defrost cycle.

If the Float Switch is in the up position (electrical circuit closed), the Controller Board changes to the ice making cycle. If the Float Switch is in the down position (electrical circuit open), the Controller Board changes to a one minute water fill cycle before starting the ice making cycle. This method allows for a Low Water Safety shut down to protect the Water Pump from mechanical seal failure.

For water-cooled model, if the water is shut off, the unit is protected by the High Pressure Switch.

(5) High Voltage Cut-out

The maximum allowable supply voltage of this icemaker is limited by the High Voltage Cut-out.

If miswiring causes excessive voltage on the Controller Board, the High Voltage Cut-out shuts down the circuit in 3 seconds and the icemaker automatically stops. When the proper supply voltage is resumed, the icemaker automatically starts running again.

Connector K1

Pins #1 through #10

- #1, 9 Magnetic Contactor
- #2 Hot Gas Valve
- #3 Line Valve
- #4 Pump Motor (icemaking)
- #5 Pump Motor (drain)
- #6 Water Valve
- #7, 10 Power (line, Bin Control)
- #8 Open

Dip Switch

Defrost Timer, Drain Timer
& Drain Counter

Connector K5

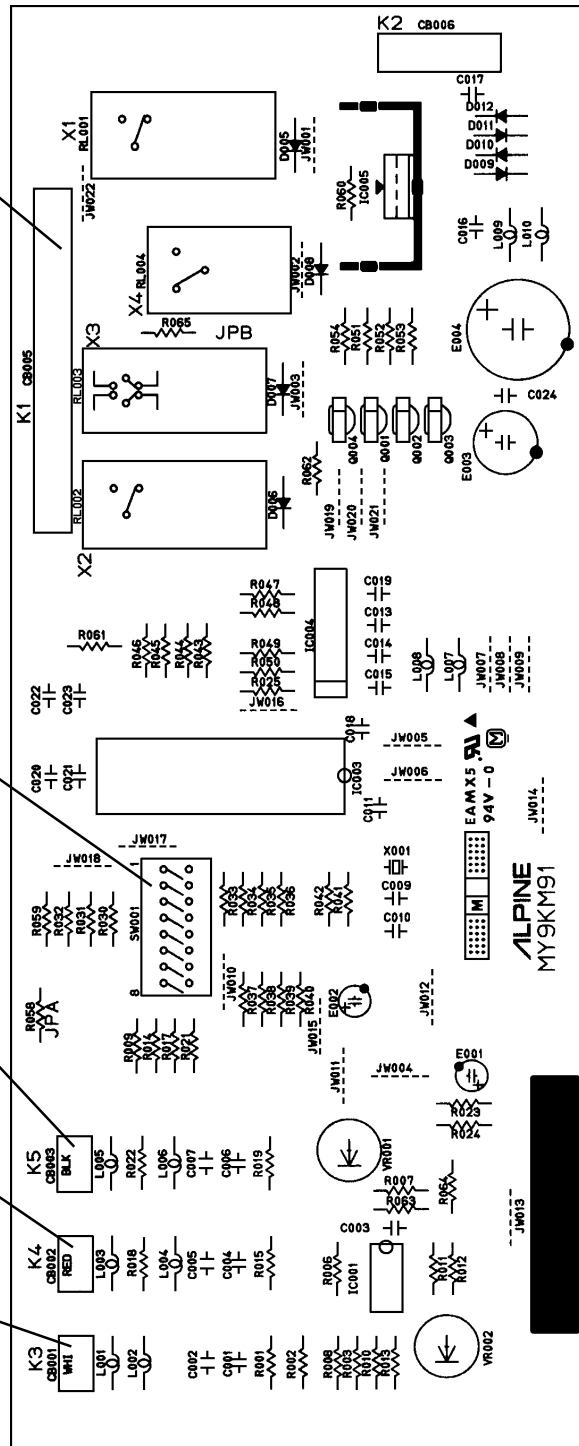
Float Switch

Connector K4

Open
(not connected)

Connector K3

Defrost Control
(Thermistor)



(Alpine "C"/Alpine Board)

Features of Control Products “E” Controller Board

The “E” board includes LED lights and audible alarm safeties. The red LED indicates proper control voltage and will remain on unless a control voltage problem occurs. At startup a 5 second delay occurs while the board conducts an internal timer check. A short beep occurs when the power switch is turned ON or OFF.

The green LED’s 1-4 represent the corresponding relays and energize and sequence 5 seconds from initial startup as follows:

Sequence Step	LED’s on	Length: Min.	Max.	Avg.
1 Minute Fill Cycle	LED4			60 sec.
Harvest Cycle	LED1, 4, & 2	2 min.	20 min.	3-5 min.
Freeze Cycle	LED1	5 min.	60 min.	30-35 min.
Reverse Pump Out	LED1, 3, & 2	10 sec.	20 sec.	Factory set.

{LED 1 – Comp; LED 2 - HGV/CFM; LED 3 – PM; LED 4 - WV}

The built in safeties shut down the unit and have alarms as follows:

1 beep every 3 sec. = **High Evaporator Temperature** >127 ° F.

Check for defrost problem (stuck HGV or relay), hot water entering unit, stuck headmaster or shorted thermistor.

2 beeps every 3 sec. = **Defrost Back Up Timer**. Defrost >20 minutes.

Orange LED marked 20 MIN energizes.

Check for open thermistor, HGV not opening, TXV leaking by, low charge or inefficient compressor.

3 beeps every 3 sec. = **Freeze Back Up Timer**. Freeze > 60 minutes.

Yellow LED marked 60 MIN energizes.

Check for F/S stuck closed (up), WV leaking by, HGV leaking by, TXV not feeding properly, low charge or inefficient compressor.

To manually reset the above safeties, depress white alarm reset button with the power supply ON.

6 beeps every 3 sec. = **Low Voltage**. Voltage is 92 Vac or less.

7 beeps every 3 sec. = **High Voltage**. Control voltage > 147Vac ±5%.

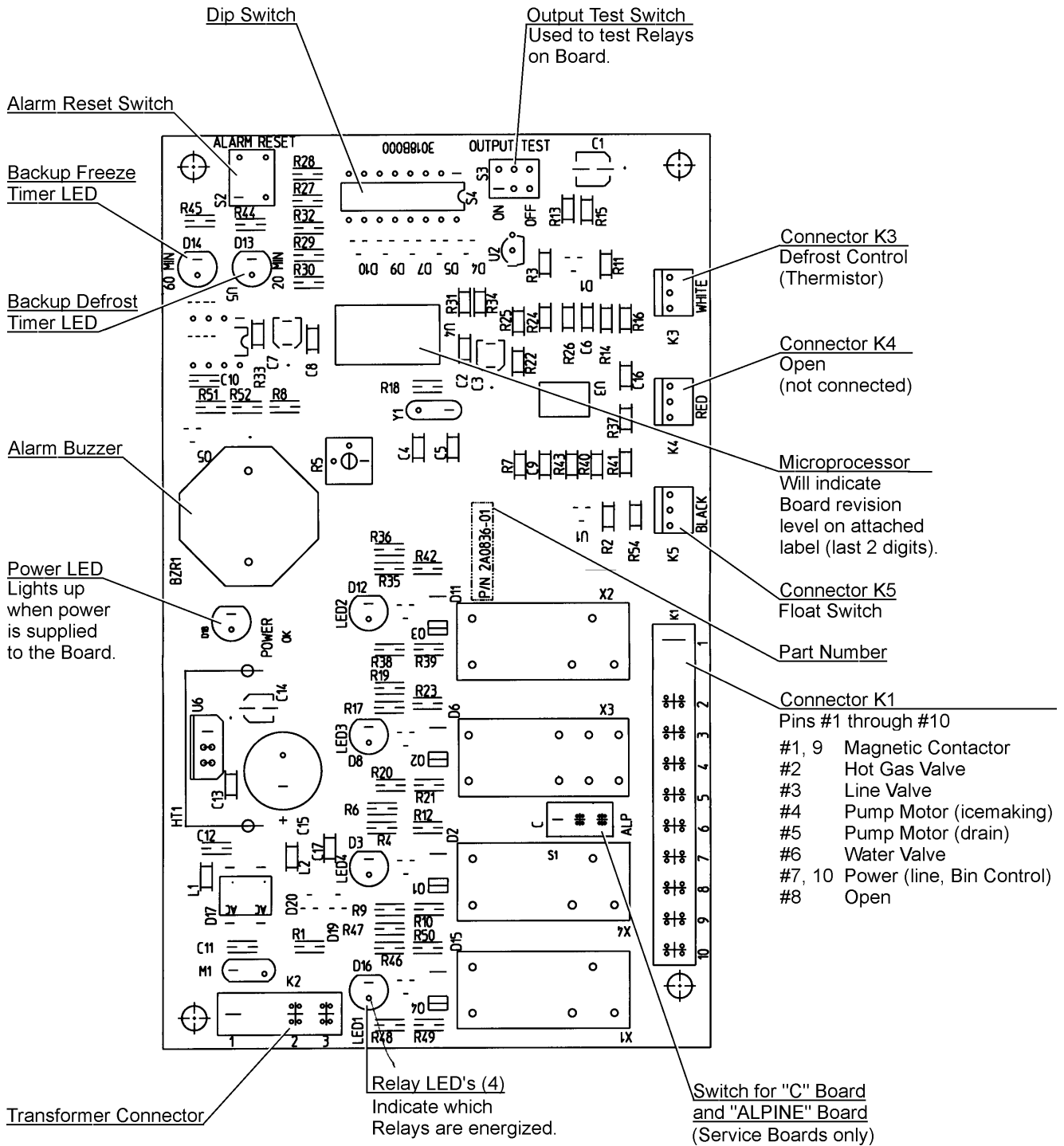
The red LED will de-energize if voltage protection operates.

The voltage safety automatically resets when voltage is corrected.

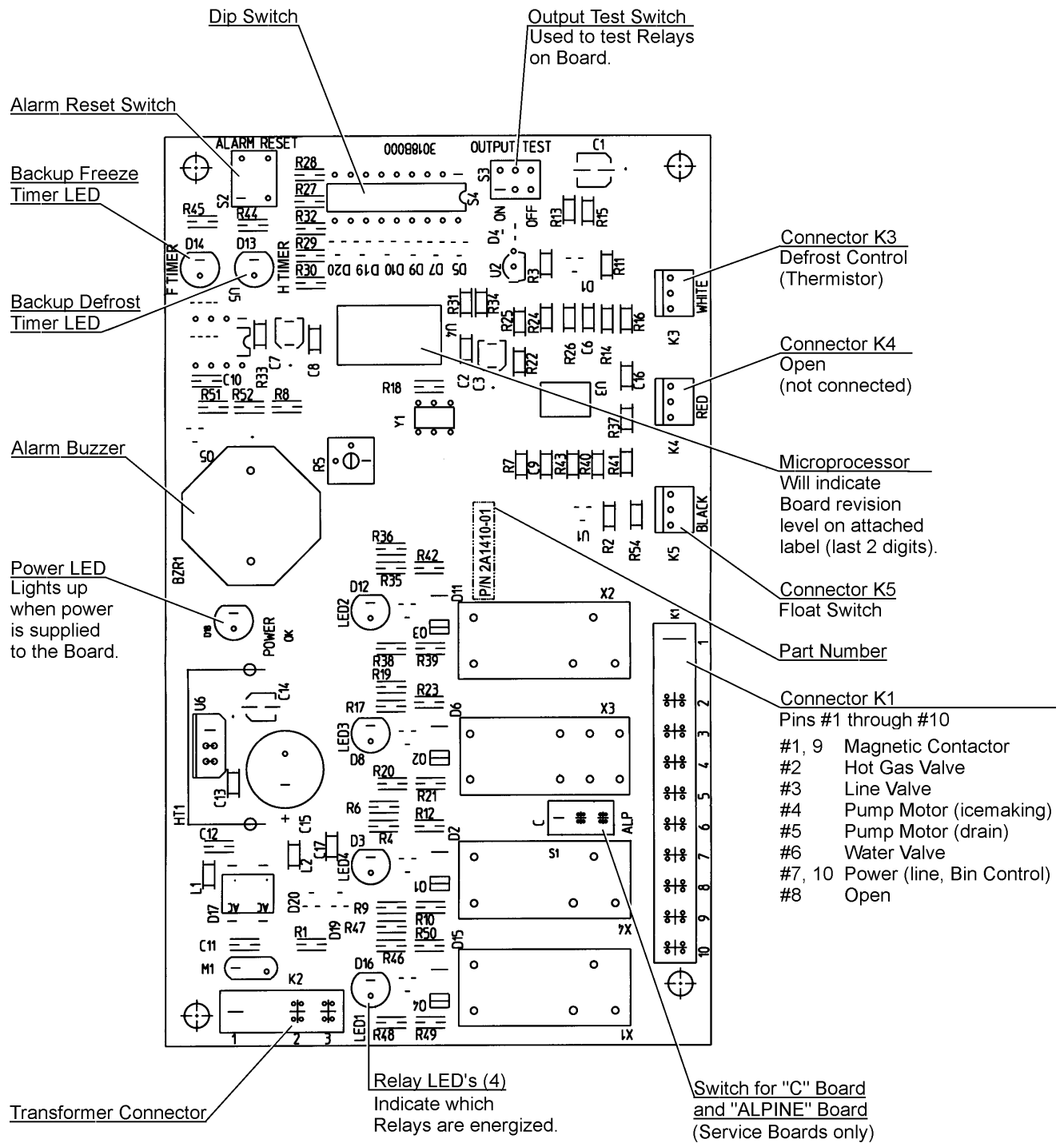
The **Output Test** switch “S3” provides a relay sequence test. With power OFF, place S3 ON and switch power to ICE. The correct lighting sequence should be none, 2, 3, 4, 1, & 4, normal sequence every 5 seconds. S3 should remain in the “OFF” position for normal operation.

The application switch located between relay X3 & X4 must be set to match the original board application. Place this switch in the ALP position if there is no white wire supplied to the K1 connector. If there is a white wire, place the switch in the C position. If this switch is placed in the wrong position either the compressor contactor will remain energized with the control switch OFF or the unit will not start.

The dip switches should be adjusted per the adjustment chart published in the Tech Specs book. 7 & 8 must remain in the OFF position.



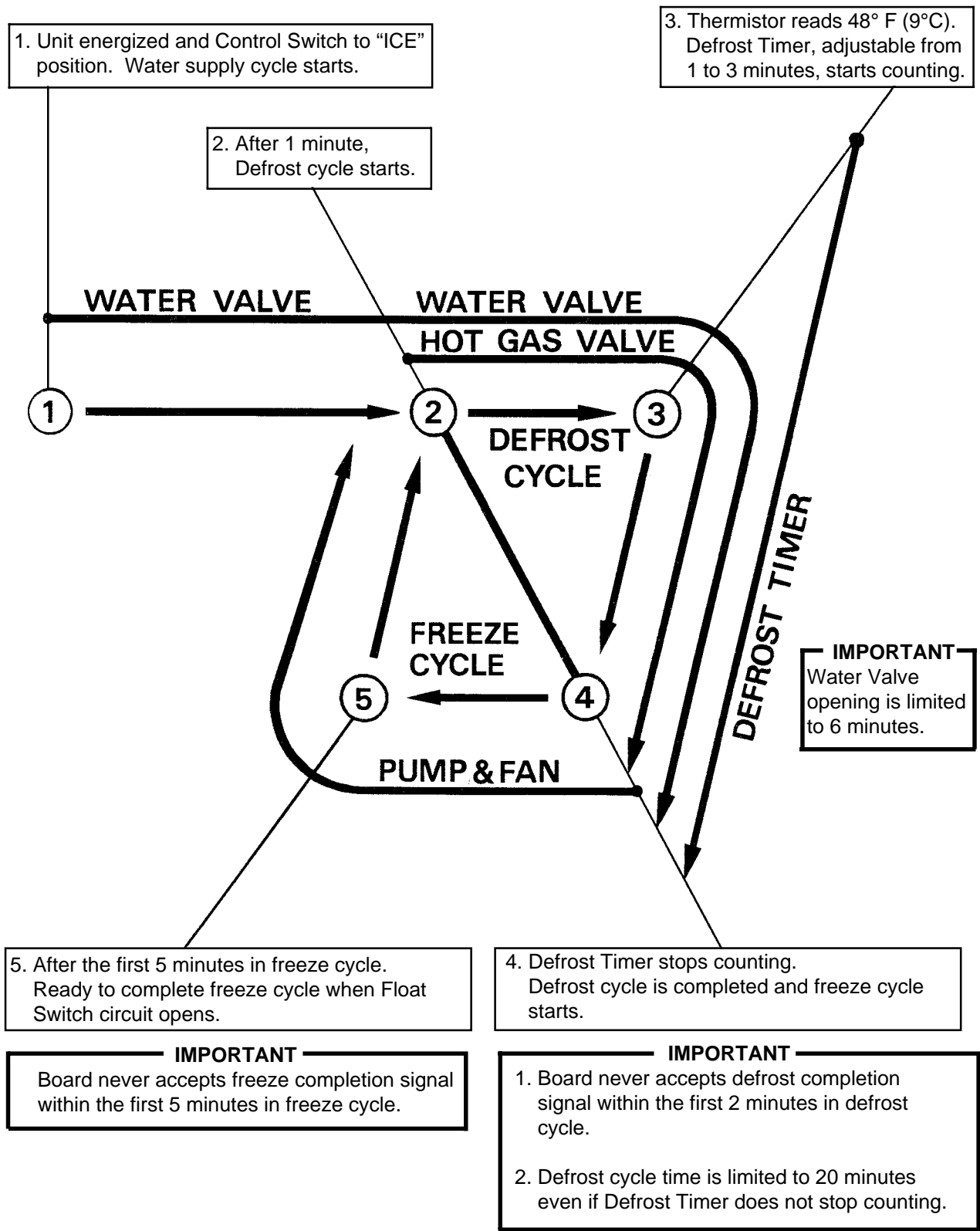
(Control Products HOSHIZAKI001 Board)



(Control Products HOS-001A Board)

[c] SEQUENCE

1st Cycle

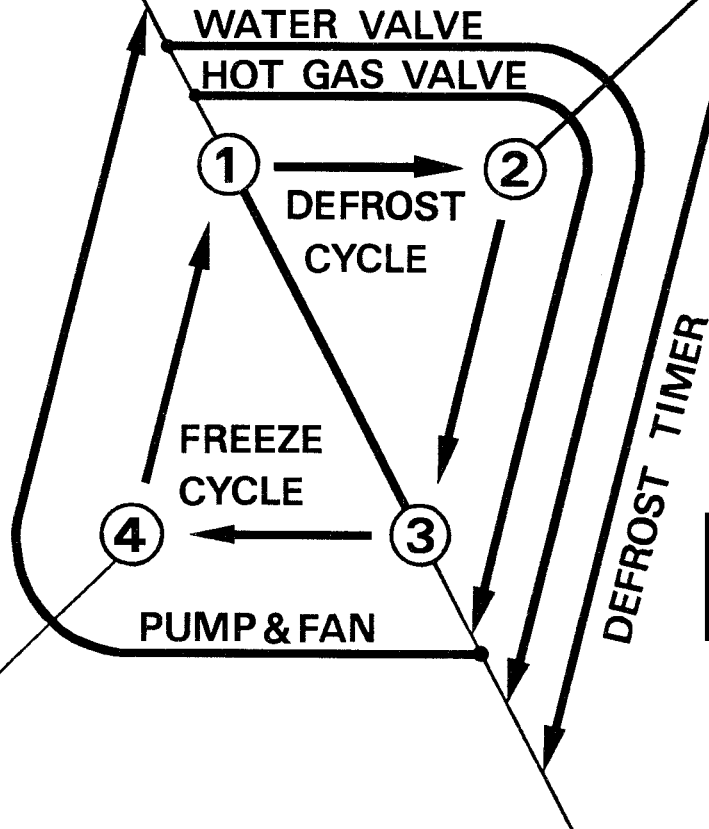


2nd Cycle and after with no pump drain

IMPORTANT
Freeze cycle time is limited to 60 minutes even if Float Switch does not open.

1. Float Switch opens and signals to complete freeze cycle. 10/20 second Drain Timer starts counting.

2. Thermistor reads 48° F (9°C). Defrost Timer, adjustable from 1 to 3 minutes, starts counting.



IMPORTANT
Water Valve opening is limited to 6 minutes.

4. After the first 5 minutes in freeze cycle. Ready to complete freeze cycle when Float Switch circuit opens.

3. Defrost Timer stops counting. Defrost cycle is completed and freeze cycle starts.

IMPORTANT
Board never accepts freeze completion signal within the first 5 minutes in freeze cycle.

IMPORTANT
1. Board never accepts defrost completion signal within the first 2 minutes in defrost cycle.
2. Defrost cycle time is limited to 20 minutes even if Defrost Timer does not stop counting.

[d] CONTROLS AND ADJUSTMENTS

The Dip Switch is factory-adjusted to the following positions:

DIP SWITCH NO.	1	2	3	4	5	6	7	8	9	10
2U0127-01 (BAF, BWF)	OFF	ON	OFF	ON	OFF	OFF	OFF	OFF	NA	NA
2A0836-01 (BAF, BWF)	OFF	ON	OFF	ON	OFF	OFF	OFF	OFF	NA	NA
2A1410-01 (BAF)	OFF	ON	OFF	ON	OFF	OFF	OFF	OFF	OFF	OFF
2A1410-01 (BWF)	OFF	ON	OFF	ON	OFF	OFF	OFF	OFF	OFF	ON

Switch Nos. 1 and 2:

Used for adjustment of the Defrost Timer.

The Defrost Timer starts counting when the Thermistor reads a certain temperature at the Evaporator outlet.

Switch Nos. 3 and 4:

Used for adjustment of the Drain Timer.

When a freeze cycle is completed, the Pump Motor stops, and the icemaker resumes operation in 2 seconds. Then the Pump Motor drains the Water Tank for the time determined by the Drain Timer. The Drain Timer also determines the time to restrain completion of a defrost cycle, i.e. the minimum defrost time.

Switch Nos. 5 and 6:

Used for adjustment of the Drain Counter.

The Pump Motor drains the Water Tank at the frequency determined by the Drain Counter.

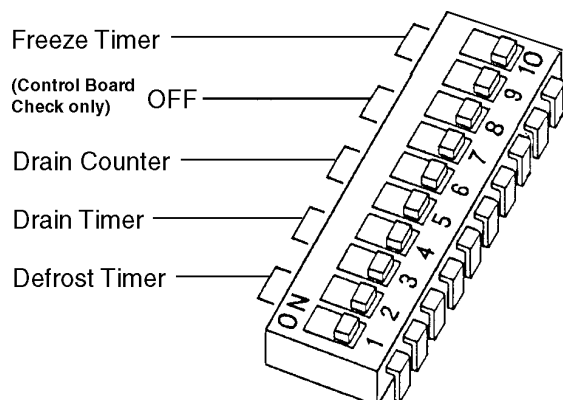
Switch Nos. 7 and 8:

Used only for checking the Controller Board. Usually set in OFF position.

Switch Nos. 9 and 10:

Used for adjustment of Freeze Timer.

The Freeze Timer determines maximum freeze cycle time. Upon termination of Freeze Timer, machine initiates the harvest cycle. After 2 consecutive timer terminations, machine will shut down, possibly indicating a problem.



1) Defrost Control

A thermistor (Semiconductor) is used for a defrost control sensor. The resistance varies depending on the Suction Line temperatures. The Thermistor detects the temperature of the Evaporator outlet to start the Defrost Timer. No adjustment is required. If necessary, check for resistance between Thermistor leads, and visually check the Thermistor mounting, located on the Suction Line next to the Evaporator outlet.

Temperature (°F)	Resistance (kΩ)
0	14.401
10	10.613
32	6.000
50	3.871
70	2.474
90	1.633

Check a thermistor for resistance by using the following procedures:

- (i) Disconnect the connector K3 on the board.
- (ii) Remove the Thermistor. See “V. 10. REMOVAL AND REPLACEMENT OF THERMISTOR.”
- (iii) Immerse the Thermistor sensor portion in a glass containing ice and water for 2 or 3 minutes.
- (iv) Check for a resistance between Thermistor leads.
Normal reading is within 3.5 to 7 kΩ. Replace the Thermistor if it exceeds the normal reading.

2) Defrost Timer

No adjustment is required under normal use, as the Defrost Timer is adjusted to the suitable position. However, if necessary when all the ice formed on the Evaporator does not fall into the bin in the harvest cycle, adjust the Defrost Timer to a longer setting by adjusting the Dip Switch (No. 1 & 2) on the Controller Board.

SETTING		TIME
Dip Switch No. 1	Dip Switch No. 2	
OFF	OFF	60 seconds
ON	OFF	90 seconds
OFF	ON	120 seconds
ON	ON	180 seconds

3) Drain Timer

The Drain Timer is factory-adjusted, and no adjustment is required.

SETTING		TIME	
Dip Switch No. 3	Dip Switch No. 4	T1	T2
OFF	OFF	10 seconds	150 seconds
ON	OFF	10 seconds	180 seconds
OFF	ON	10 seconds	120 seconds
ON	ON	20 seconds	180 seconds

T1: Time to drain the Water Tank

T2: Time to restrain defrost completion

4) Freeze Timer

CAUTION

Adjust to proper specification, or the unit may not operate correctly.

Two new dip switches numbered 9 and 10 have been added to the improved “E” board to better prevent possible freeze ups. These settings come factory set to the default setting of 60 min. (OFF, OFF). Check the adjustment chart published in the Tech Specs for proper settings. If the old board does not have these two dip switches, (only 8 instead of 10), leave setting as OFF, OFF.

SETTING		TIME
Dip Switch No. 9	Dip Switch No. 10	
OFF	OFF	60 min.
ON	OFF	70 min.
OFF	ON	50 min.
ON	ON	60 min.

5) Bin Control

CAUTION

When the ambient temperature is below 45°F, the Bin Control Thermostat operates to stop the icemaker even if the Ice Storage Bin is empty. When the Thermostat is set in the prohibited range, the icemaker operates continuously even if the Ice Storage Bin is filled with ice. Setting in the prohibited range might cause severe damage to the icemaker resulting in failure.

No adjustment is required under normal use, as the Bin Control is factory-adjusted. Adjust it, if necessary, so that the icemaker stops automatically within 10 seconds after ice contacts the Bin Control Thermostat Bulb.

[e] CHECKING THE CONTROLLER BOARD

- 1) Visually check the sequence with the icemaker operating.
- 2) Visually check the Controller Board by using the following procedures.
 - (i) Adjust the Defrost Timer to minimum position.
Disconnect the Thermistor from the Controller Board.
Connect a 1.5 k Ω - 3.5 k Ω resistor to the Connector K3 (pins #1 and #2), and energize the unit.
After the 1 minute \pm 5 second water supply cycle and the 2 minute \pm 10 second defrost cycle, the unit should start the freeze cycle.
 - (ii) After the above step (i), disconnect the Float Switch leads from the Controller Board within the first 5 minutes of the freeze cycle.

The unit should go into the defrost cycle after the first 5 minutes \pm 20 seconds of the freeze cycle.

- (iii) Reconnect the Float Switch Connector to the Controller Board. After the first 5 minutes of the freeze cycle, disconnect the Float Switch leads from the Controller Board.

At this point, the unit should start the defrost cycle.

- (iv) After Step (iii), de-energize the unit and confirm that the Defrost Timer is in the minimum position. Disconnect the resistor from the Controller Board, and energize the unit.
After the 1 minute water supply cycle, the defrost cycle starts.
Reconnect a 1.5 k Ω - 3.5 k Ω resistor to the Connector K3 (pins #1 and #2) after the first 2 minutes of the defrost cycle. The unit should start the freeze cycle after 1 minute \pm 5 seconds from the resistor connection.

[ALPINE BOARD ONLY]

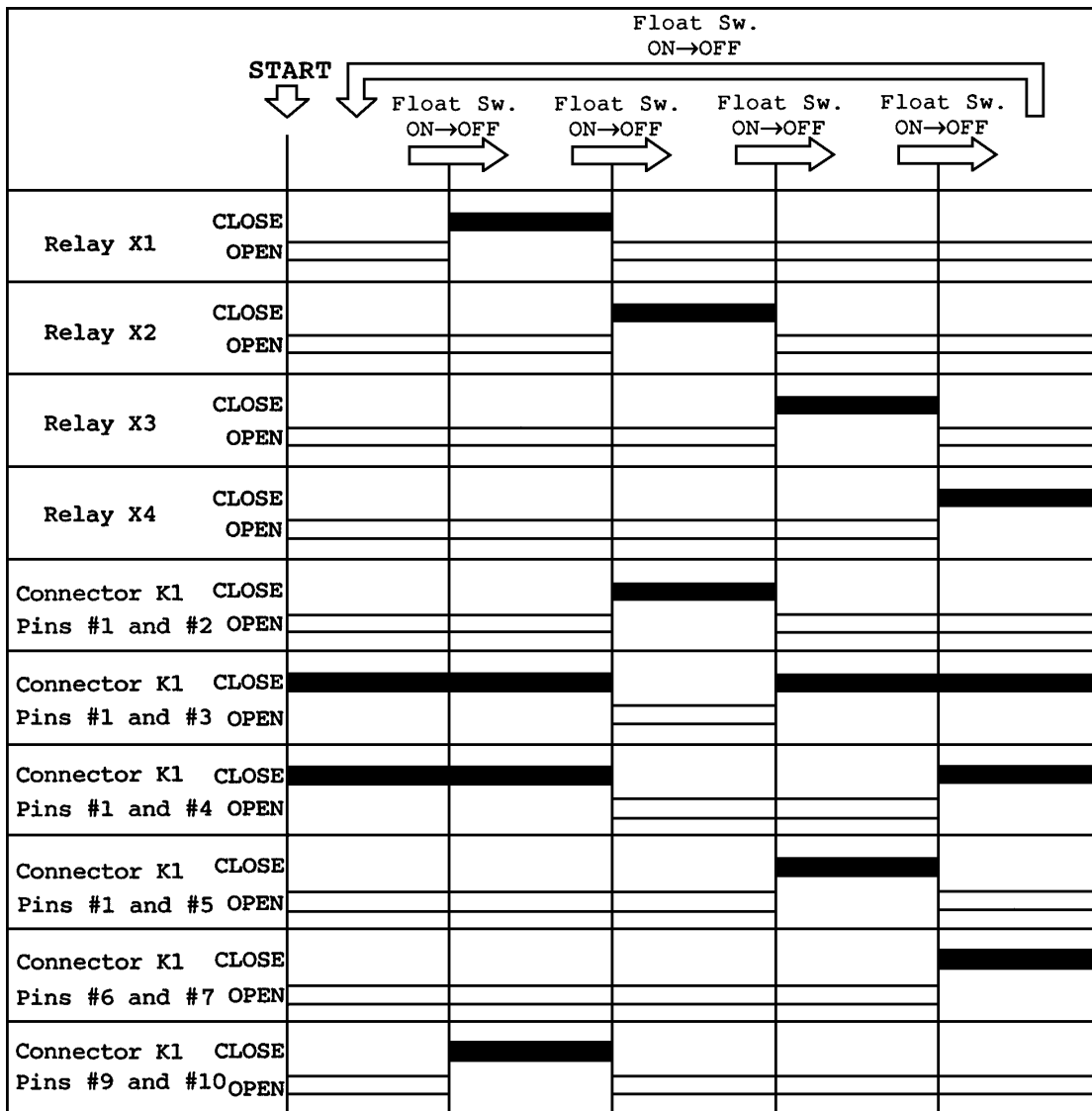
3) Check the Controller Board by using test program of the Alpine Controller Board (next page).

- (i) Disconnect the Connector K1 from the Controller Board. Set the Dip Switch No. 7 and 8 on the Controller Board to the "ON" position, and energize the unit.
- (ii) The current flows to each Relay (from X1 to X4) one after another every time the float is raised and the contacts close. See the following chart, and check "OPEN" and "CLOSE" of Pins of the Connector K1 at each step.
- (iii) If the checks are completed, turn off the icemaker, plug the Connector K1 into the Controller Board as before, and set the Dip Switch No. 7 and 8 to the "OFF" position.

[CONTROL PRODUCTS BOARD ONLY]

The Output Test Switch "S3" provides a relay sequence test. With power OFF, place S3 on and switch power to ICE. The correct lighting sequence should be none, 2, 3, 4, 1, and 4, normal sequence every 5 seconds. S3 should remain in the "OFF" position for normal operation.

• TEST PROGRAM OF ALPINE CONTROLLER BOARD



3. SWITCHES

Control Switch

The Control Switch is located on the lower left section of the Control Box (B) when facing the front of the machine. This switch is used to place the machine into one of three modes: “OFF” (center position), “ICE” (right position), and “WASH” (left position).

(1) “OFF”

In the “OFF” position, no power is supplied to the unit. However, to avoid any possible risk of electrical shock, disconnect the power before servicing.

(2) “ICE”

This position applies power to the unit causing the automatic ice making cycle to begin. The Water Valve is energized and the 1 minute water fill cycle starts. Refer to “II. 2 [c] SEQUENCE” for further details.

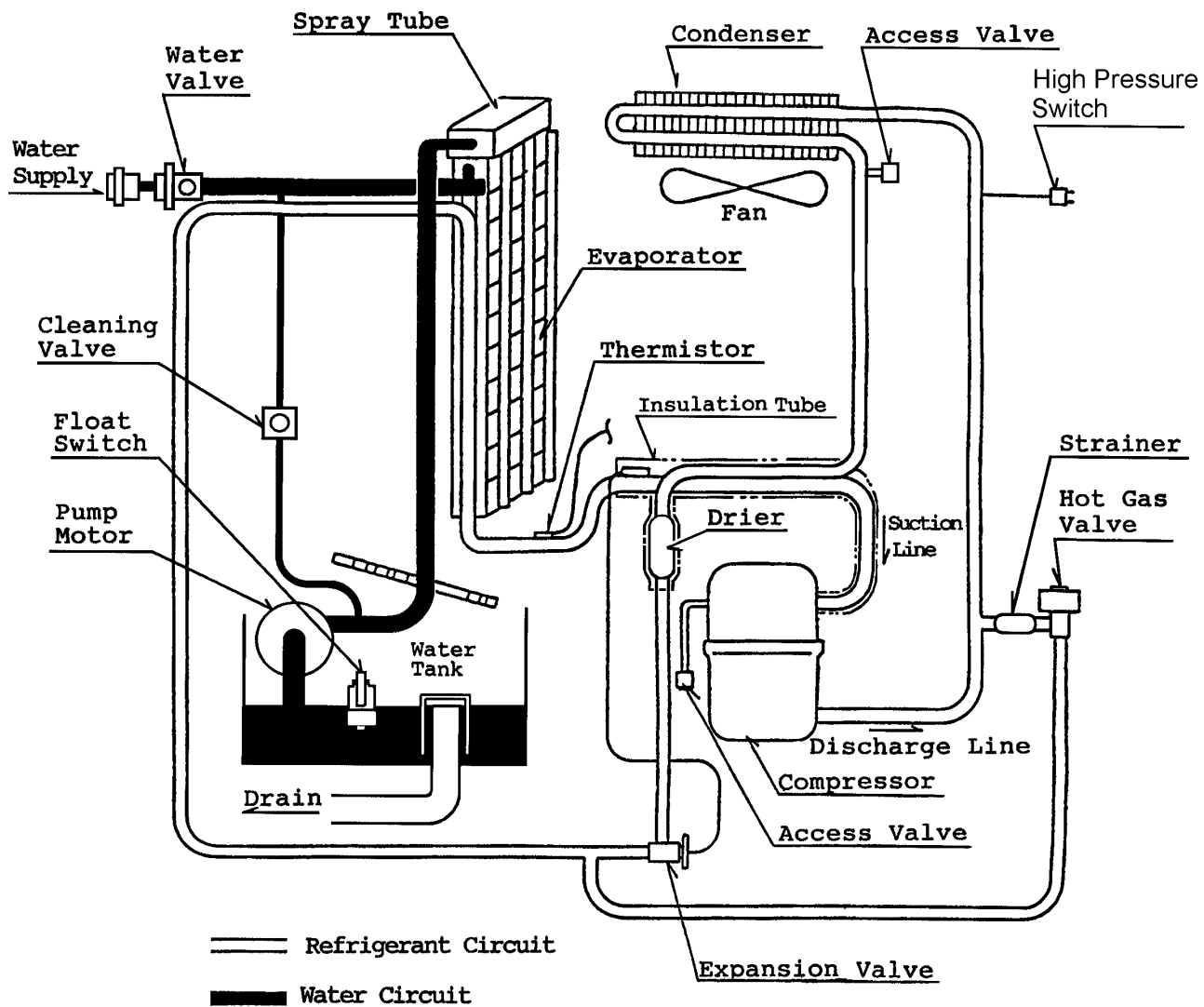
(3) “WASH”

When the Control Switch is placed in the “WASH” position, power is supplied to the Pump Motor and Cleaning Water Valve. This allows cleaning and/or sanitizing solutions (See “VI. 2. CLEANING AND SANITIZING PROCEDURES”) to circulate throughout the water system and down the inside and outside of the Evaporator plates.

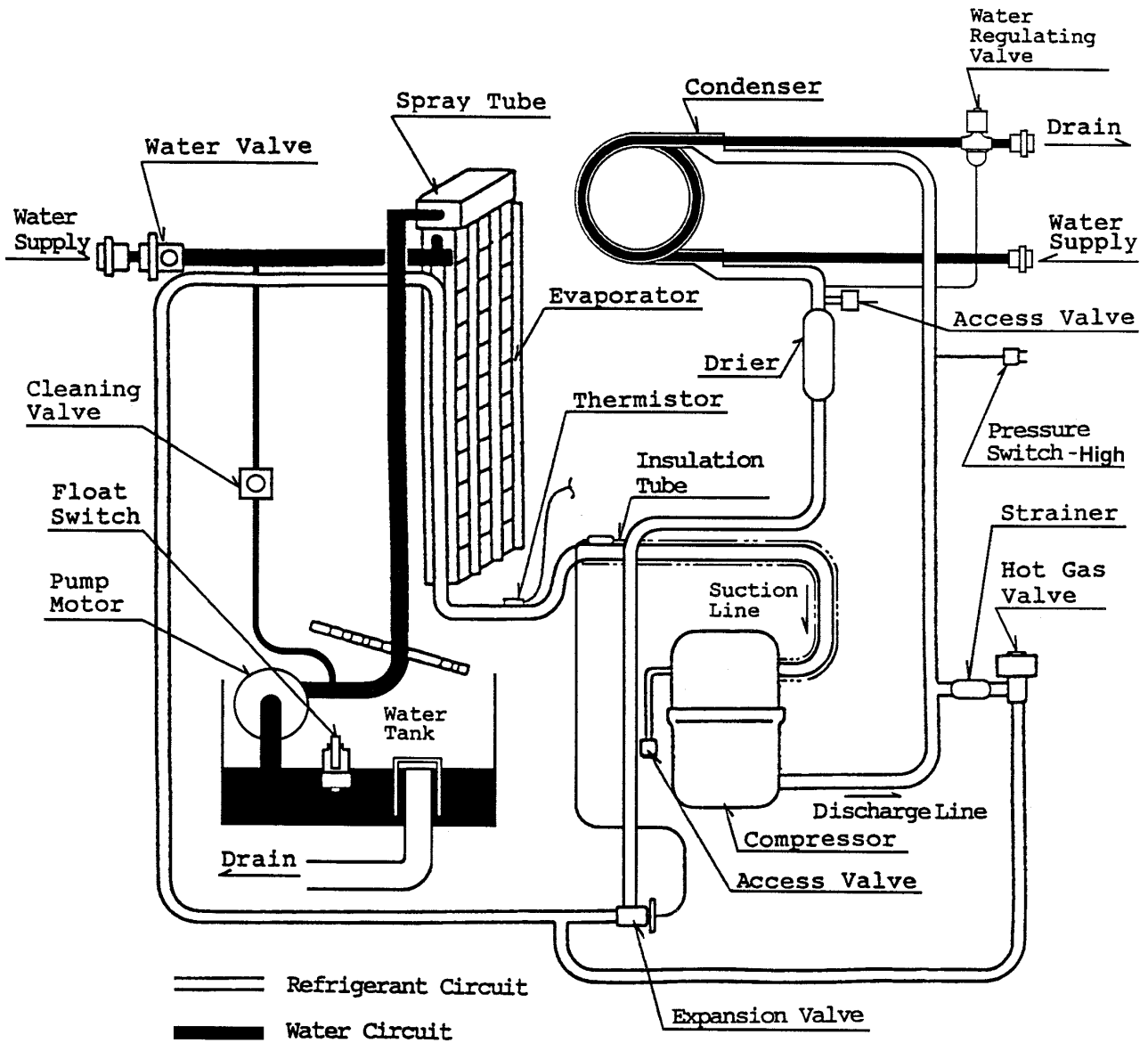
III. TECHNICAL INFORMATION

1. WATER CIRCUIT AND REFRIGERANT CIRCUIT

[a] KM-150BAF

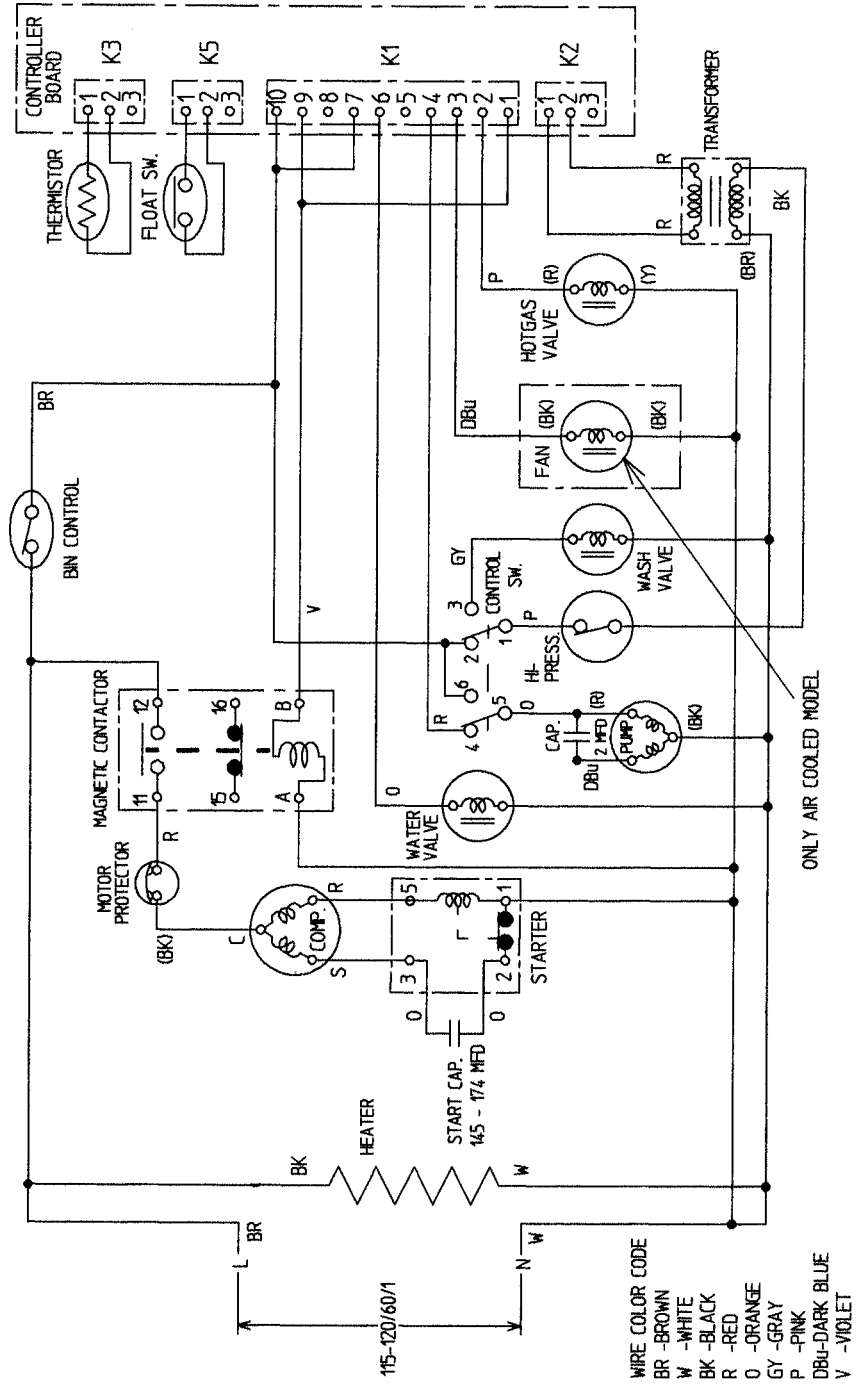


[b] KM-150BWF



2. WIRING DIAGRAM

KM-150BAF, KM-150BWF



Note: Pressure Switch - HI

KM-150BAF

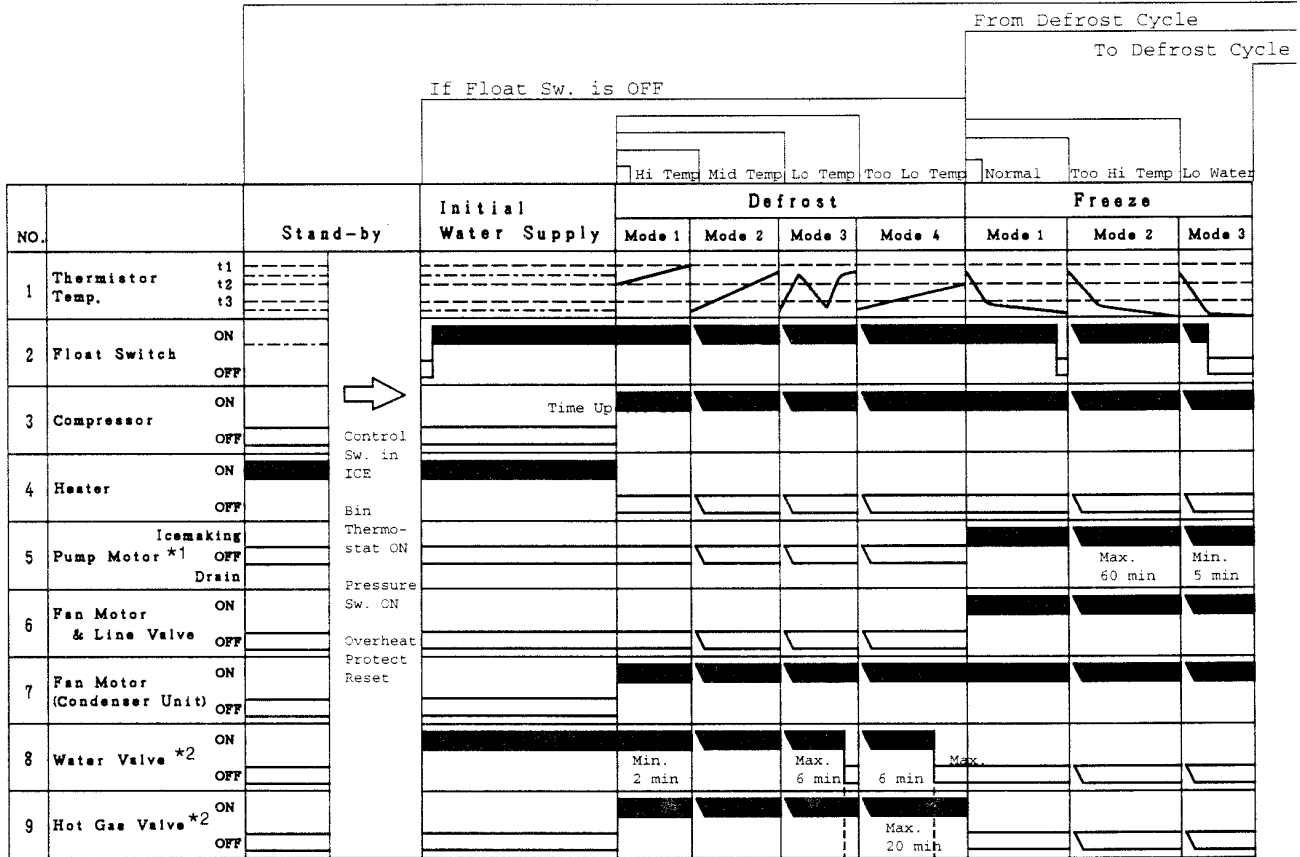
KM-150BWF

Cut-out $412.5^{+21.3}_0$ PSIG
 Cut-in 327.1 ± 21.3 PSIG

Cut-out $376.9^{+21.3}_0$ PSIG
 Cut-in 270.2 ± 21.3 PSIG

3. TIMING CHART

When Control Sw. is turned OFF, Pressure Sw. is OFF, or Thermistor Temp. exceeds t1.



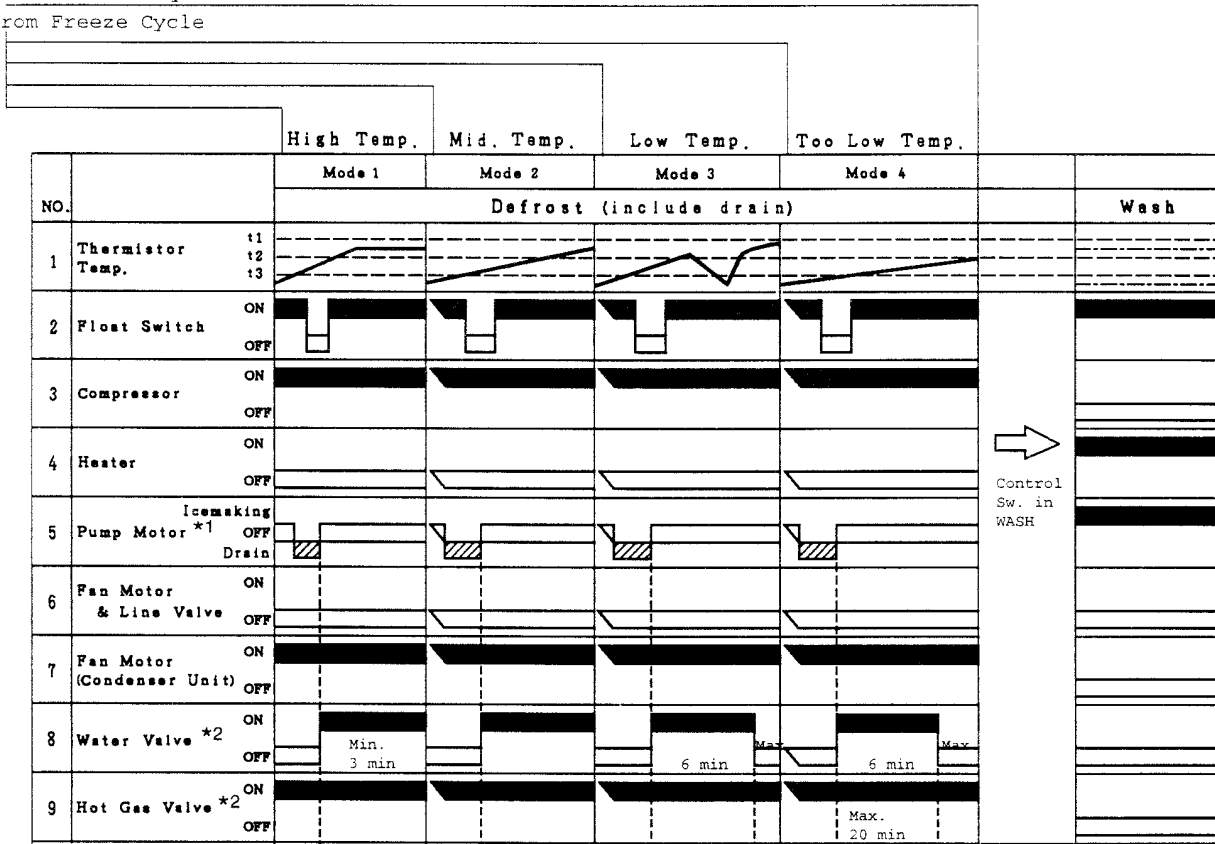
*1 The Pump Motor for KM-150B series does not have drain cycle.

*2 The icemaker does not complete a defrost cycle in the first 2 or 3 minutes. See "II. 2. [d] CONTROLS AND ADJUSTMENTS."

To Stand-by Cycle (When Control Sw. is turned OFF, Pressure Sw. is OFF, or Thermistor Temp. exceeds t1.)

To Freeze Cycle

From Freeze Cycle



*1 The Pump Motor for KM-150B series does not have drain cycle.

*2 The icemaker does not complete a defrost cycle in the first 2 or 3 minutes. See "II. 2. [d] CONTROLS AND ADJUSTMENTS."

4. PERFORMANCE DATA
[a] KM-150BAF (Air-cooled)

APPROXIMATE ICE PRODUCTION PER 24 HR.	AMBIENT TEMP. (°F/°C)	WATER TEMP. (°F/°C)		
		50/10	70/21	90/32
lbs./day (kg./day)	70/21	*150 (68)	137 (62)	124 (56)
	80/27	135 (61)	122 (55)	108 (49)
	90/32	124 (56)	*114 (52)	100 (45)
	100/38	100 (45)	97 (44)	95 (43)
APPROXIMATE ELECTRIC CONSUMPTION	70/21	*577	580	590
	80/27	590	600	610
	90/32	600	*613	620
	100/38	610	620	630
APPROXIMATE WATER CONSUMPTION PER 24 HR.	70/21	*62 (0.23)	50 (0.19)	46 (0.14)
	80/27	47 (0.18)	45 (0.17)	34 (0.13)
	90/32	40 (0.15)	*41 (0.16)	31 (0.12)
	100/38	30 (0.11)	31 (0.12)	28 (0.10)
FREEZING CYCLE TIME	70/21	25	26	28
	80/27	30	32	35
	90/32	35	34	40
	100/38	38	39	43
HARVEST CYCLE TIME	70/21	3.5	3	3
	80/27	3	3	3
	90/32	3	3	3
	100/38	3	3	3
HEAD PRESSURE	70/21	215 (15.1)	230 (16.2)	230 (16.2)
	80/27	245 (17.2)	250 (17.6)	265 (18.6)
	90/32	260 (18.3)	254 (17.8)	275 (19.3)
	100/38	305 (21.4)	315 (22.1)	310 (21.8)
SUCTION PRESSURE	70/21	35 (2.4)	37 (2.6)	38 (2.7)
	80/27	36 (2.5)	38 (2.7)	38 (2.7)
	90/32	37 (2.6)	38 (2.7)	38 (2.7)
	100/38	38 (2.7)	38 (2.7)	39 (2.7)

TOTAL HEAT OF REJECTION 3100 Btu/h [AT 90°F (32°C) / WT 70°F (21°C)]

Note: Pressure data is recorded first 5 minutes in freezing cycle.
The data without *marks should be used for reference.

* We reserve the right to make changes in specifications and design without prior notice.

[b] KM-150BWF (Water-cooled)

APPROXIMATE ICE PRODUCTION PER 24 HR.	AMBIENT TEMP. (°F/°C)	WATER TEMP. (°F/°C)					
		50/10		70/21		90/32	
lbs./day <u>kg./day</u>	70/21	141	<u>64</u>	129	<u>58</u>	122	<u>55</u>
	80/27	134	<u>61</u>	113	<u>51</u>	112	<u>51</u>
	90/32	130	<u>58</u>	100	<u>45</u>	96	<u>44</u>
	100/38	128	<u>58</u>	99	<u>45</u>	93	<u>42</u>
APPROXIMATE ELECTRIC CONSUMPTION	70/21	523		531		540	
	80/27	529		541		549	
	90/32	531		550		558	
	100/38	532		552		566	
APPROXIMATE WATER CONSUMPTION PER 24 HR.	70/21	190	<u>0.72</u>	213	<u>0.81</u>	322	<u>1.22</u>
	80/27	207	<u>0.79</u>	242	<u>0.92</u>	396	<u>1.50</u>
	90/32	213	<u>0.81</u>	267	<u>1.01</u>	404	<u>1.53</u>
	100/38	261	<u>0.99</u>	299	<u>1.13</u>	530	<u>2.01</u>
FREEZING CYCLE TIME	70/21	25		26		29	
	80/27	26		29		32	
	90/32	26		31		33	
	100/38	27		31		36	
HARVEST CYCLE TIME	70/21	3.3		3		3	
	80/27	3		3		3	
	90/32	3		3		3	
	100/38	3		3		2.8	
HEAD PRESSURE	70/21	278	<u>19.5</u>	279	<u>19.6</u>	282	<u>19.8</u>
	80/27	278	<u>19.6</u>	279	<u>19.6</u>	284	<u>20.0</u>
	90/32	279	<u>19.6</u>	280	<u>19.7</u>	284	<u>20.0</u>
	100/38	280	<u>19.7</u>	281	<u>19.8</u>	288	<u>20.2</u>
SUCTION PRESSURE	70/21	48	<u>3.4</u>	48	<u>3.4</u>	49	<u>3.5</u>
	80/27	48	<u>3.4</u>	49	<u>3.5</u>	50	<u>3.5</u>
	90/32	48	<u>3.4</u>	49	<u>3.5</u>	50	<u>3.5</u>
	100/38	49	<u>3.4</u>	49	<u>3.5</u>	51	<u>3.6</u>

TOTAL HEAT OF REJECTION FROM CONDENSER	2800 BTU/h [AT 90°F (32°C) / WT 70°F (21°C)]
TOTAL HEAT OF REJECTION FROM COMPRESSOR	640 BTU/h [AT 90°F (32°C) / WT 70°F (21°C)]
WATER FLOW FOR CONDENSER	21 gal. / h [AT 100°F (38°C) / WT 90°F (32°C)]
PRESSURE DROP OF COOLING WATER LINE	less than 10 PSIG

Note: Pressure data is recorded at 5 minutes into freezing cycle.
The data not in **bold** should be used for reference only.

* We reserve the right to make changes in specifications and design without prior notice.

IV. SERVICE DIAGNOSIS

1. NO ICE PRODUCTION

PROBLEM	POSSIBLE CAUSE		REMEDY
[1] The icemaker will not start	a) Power Supply	1. "OFF" position.	1. Move to "ON" position
		2. Loose connections.	2. Tighten
		3. Bad contacts.	3. Check for continuity and replace.
		4. Voltage too high.	4. Check and get recommended voltage.
	b) Fuse (Inside Fused Disconnect, if any)	1. Blown out.	1. Check for short circuit and replace
	c) Control Switch	1. "OFF" position.	1. Move to "ICE" position.
		2. Bad contacts.	2. Check for continuity and replace.
	d) Bin Control Thermostat	1. Tripped with bin filled with ice.	1. Remove ice.
		2. Ambient temperature too cool.	2. Increase ambient temperature.
		3. Set too warm.	3. See "II.2.[d] CONTROLS AND ADJUSTMENTS, 6) Bin Control."
		4. Bulb out of position.	4. Place in position.
		5. Bad contacts or leaks in bulb.	5. Check for continuity and replace.
	e) High Pressure Control	1. Bad contacts.	1. Check for continuity and replace.
	f) Transformer	1. Thermal fuse blown out 1. or coil winding opened.	Replace.
	g) Wiring to Controller Board	1. Loose connections or open.	1. Check for continuity and replace.
	h) Thermistor	1. Leads short-circuit or open and High Temperature Safety operates. If open, unit will start but have long harvest.	1. See "II.2.[d] CONTROLS AND ADJUSTMENTS, 1) Defrost Control."
	i) Hot Gas Solenoid Valve	1. Continues to open in freeze cycle and High Temperature Safety operates.	1. Check for power off in freeze cycle and replace.
j) Water Supply Line	1. Water supply off and water supply cycle does not finish.	1. Check and get recommended pressure.	
	2. Condenser water pressure too low or off and Pressure Control opens and closes frequently to finally operate High Temperature Safety.	2. Check and get recommended pressure.	
k) Water Solenoid	1. Mesh filter or orifice gets clogged and water supply cycle does not finish.	1. Clean.	
	2. Coil winding opened.	2. Replace.	
	3. Wiring to Water Valve.	3. Check for loose connection or open, and replace.	

PROBLEM	POSSIBLE CAUSE		REMEDY
	l) Controller Board	1. Defective	1. See "II.2[e] CHECKING CONTROLLER BOARD."
[2] Water continues to be supplied, and the ice-maker will not start.	a) Float switch	1. Connector disconnected.	1. Place in position.
		2. Leads opened or defective switch.	2. Check and replace.
		3. Float does not move freely.	3. Clean or replace.
	b) Controller Board	1. Defective.	1. Replace.
[3] Compressor will not start or operates intermittently	a) Wash Switch	1. "WASH" position.	1. Move to "ICE" position.
		2. Bad contacts.	2. Check and replace.
	b) High Pressure Control	1. Dirty Air Filter or Condenser.	1. Clean.
		2. Ambient or condenser water temp. too warm.	2. Reduce ambient temp.
		3. Refrigerant overcharged.	3. Recharge.
		4. Condenser water pressure too low or off. [Water-cooled model only].	4. Check and get recommended pressure.
		5. Fan not operating. [Except water-cooled model].	5. See chart 1 - [6].
		6. Refrigerant line or components plugged.	6. Clean and replace Drier.
	c) Overload Protector	1. Bad contacts.	1. Check for continuity and replace.
		2. Voltage too low.	2. Increase voltage.
		3. Refrigerant overcharged or undercharged.	3. Recharge.
	d) Starter	1. Bad contacts.	1. Check and replace.
		2. Coil winding opened.	2. Replace.
	e) Start Capacitor	1. Defective.	1. Replace.
	f) Magnetic Contactor	1. Bad contacts.	1. Check for continuity and replace.
		2. Coil winding opened.	2. Replace.
	g) Compressor	1. Wiring to Compressor.	1. Check for loose connection or open, and replace.
		2. Defective.	2. Replace.
		3. Protector tripped.	3. Reduce temperature.
	h) Controller board	1. Defective.	1. See "II.2. [e] CHECKING CONTROLLER BOARD."
	i) Water Regulator	1. Set too high.	1. Adjust lower.
[4] Water continues to be supplied in freeze cycle.	a) Water Solenoid Valve	1. Diaphragm does not close.	1. Check for water leaks with icemaker off.
	b) Controller Board	1. Defective.	1. See "II.2. [e] CHECKING CONTROLLER BOARD."

PROBLEM	POSSIBLE CAUSE		REMEDY
[5] No water comes from Spray Tubes. Water Pump will not start, or freeze cycle time is too short..	a) Water Supply Line	1. Water pressure too low and water level in Water Tank too low.	1. Check and get recommended pressure.
	b) Water Solenoid Valve	1. Dirty mesh filter or orifice and water level in Water Tank too low.	1. Clean.
	c) Water System	1. Water leaks.	1. Check connections for water leaks, and replace.
		2. Clogged.	2. Clean.
	d) Pump Motor	1. Motor winding opened.	1. Replace.
		2. Bearing worn out.	2. Replace.
		3. Wiring to Pump Motor	3. Check for loose connection or open, and replace.
		4. Defective Capacitor.	4. Replace.
e) Controller Board	5. Defective or bound impeller.	5. Replace and clean.	
	1. Defective.	1. See "II.2. [e] CHECKING CONTROLLER BOARD."	
[6] Fan Motor will not start, or is not operating.	a) Fan Motor	1. Motor winding opened.	1. Replace.
		2. Bearing worn out.	2. Replace.
		3. Wiring to Fan Motor.	3. Check for loose connection or open, and replace.
		4. Fan blade bound.	4. Check and replace.
	b) Controller Board	1. Defective.	1. See "II.2. [e] CHECKING CONTROLLER BOARD."
[7] All components run but no ice is produced.	a) Refrigerant	1. Undercharged.	1. Check for leaks and recharge.
		2. Air or moisture trapped.	2. Replace Drier, and recharge.
	b) Compressor	1. Defective valve.	1. Replace.
	c) Hot Gas Solenoid Valve	1. Continues to open in freeze cycle.	1. Check and replace.
	d) Water Solenoid Valve	1. Stuck open.	1. Replace.
		2. Diaphragm bleed port clogged.	2. Clean or replace diaphragm.
	e) Water Supply Line [Water-cooled model only]	1. Condenser water pressure too low or off and pressure control opens and closes frequently.	1. Check and get recommended pressure.

2. EVAPORATOR IS FROZEN UP

PROBLEM	POSSIBLE CAUSE		REMEDY
[1] Freeze cycle time is too long.	a) Float Switch	1. Leads short-circuit or defective switch.	1. Check and replace.
		2. Float does not move freely.	2. Clean or replace.
	b) Water Solenoid Valve	1. Diaphragm does not close.	1. Check for water leaks with icemaker off.
	c) Controller Board	1. Defective.	1. See "II.2. [e] CHECKING CONTROLLER BOARD."
[2] All ice formed on Evaporator does not fall into bin in harvest cycle.	a) Evaporator	1. Scaled up.	1. Clean.
	b) Water Supply Line	1. Water pressure too low.	1. Check and get recommended pressure.
	c) Water Solenoid Valve	1. Dirty mesh filter or orifice.	1. Clean.
		2. Diaphragm does not close.	2. Check for water leaks with icemaker off.
	d) Ambient and/or water temperature	1. Too cool.	1. Increase temperature.
	e) Thermistor	1. Out of position or loose attachment.	1. See "V. 10. REMOVAL AND REPLACEMENT OF THERMISTOR."
f) Controller Board	1. Defrost Timer is set too short.	1. Adjust longer, referring to "II. 2. [d] CONTROLS AND ADJUSTMENTS, 2) Defrost Timer."	
	2. Defective.	2. See "II. 2. [e] CHECKING CONTROLLER BOARD."	
[3] Others	a) Spray Tubes	1. Clogged.	1. Clean.
		2. Out of position.	2. Place in position.
	b) Water System	1. Dirty.	1. Clean.
	c) Refrigerant	1. Undercharged.	1. Check for leaks and recharge.
	d) Expansion Valve	1. Bulb out of position or loose attachment.	1. Place in position.
		2. Defective.	2. Replace.
	e) Hot Gas Solenoid Valve	1. Coil winding opened.	1. Replace.
		2. Plunger does not move.	2. Replace.
		3. Wiring to Hot Gas Valve.	3. Check for loose connection or open, and replace.
f) Water Supply Line	1. Too small; requires 3/8" OD line dedicated per machine	1. Increase water supply line size.	
g) Water Filter	1. Flow rate too small.	1. Replace with filter with larger flow rate.	

3. LOW ICE PRODUCTION

PROBLEM	POSSIBLE CAUSE	REMEDY
[1] Freeze cycle time is long.	a) See chart 1 - [3], and check dirty Air Filter or Condenser, ambient or water temperature, water pressure or refrigerant charge.	
	b) See chart 2 - [1], and check Float Switch, Water Solenoid Valve or Controller Board.	
[2] Harvest cycle time is long	a) See chart 2 - [2], and check Controller Board, Thermistor, Evaporator, ambient and/or water temperature, water supply line or Water Solenoid Valve.	

4. ABNORMAL ICE

PROBLEM	POSSIBLE CAUSE	REMEDY	
[1] Small Cube	a) Ice Cube Guide	1. Out of position. Circulated water falls into bin.	1. Place in position.
	b) See chart 1 - [5], and check water supply line, Water Solenoid Valve, water system, Pump Motor or Controller Board.		
[2] Cloudy or irregular cube	a) See chart 2 - [1] and - [3], and check Float Switch, Water Solenoid Valve, Controller Board, Spray Tubes, water system, refrigerant charge or Expansion Valve.		
	b) Spray Guide	1. Dirty.	1. Clean.
	c) Water Quality	1. High hardness or contains impurities.	1. Install a water filter or softener.

5. OTHERS

PROBLEM	POSSIBLE CAUSE	REMEDY	
[1] Icemaker will not stop when bin is filled with ice.	a) Bin Control Thermostat	1. Set too cold.	1. Adjust warmer.
		2. Defective.	2. Replace.
[2] Abnormal noise	a) Pump Motor	1. Bearings worn out.	1. Replace.
	b) Fan Motor	1. Bearings worn out.	1. Replace.
		2. Fan blade deformed.	2. Replace fan blade.
		3. Fan blade does not move freely.	3. Replace.
	c) Compressor	1. Bearings worn out, or cylinder valve broken.	1. Replace.
2. Mounting pad out of position.		2. Reinstall	
d) Refrigerant Lines	1. Rub or touch lines or other surfaces.	1. Replace.	
[3] Ice in storage bin often melts.	a) Bin Drain	1. Plugged.	1. Clean.

V. REMOVAL AND REPLACEMENT OF COMPONENTS

IMPORTANT

Ensure all components, fasteners and thumbscrews are securely in place after the equipment is serviced.

IMPORTANT

1. The Polyol Ester (POE) oils used in R-404A units can absorb moisture quickly. Therefore it is important to prevent moisture from entering the system when replacing or servicing parts.
2. Always install a new filter drier every time the sealed refrigeration system is opened.
3. Do not leave the system open for longer than 5 minutes when replacing or servicing parts.

1. SERVICE FOR REFRIGERANT LINES

[a] REFRIGERANT RECOVERY

The icemaker unit is provided with two Refrigerant Access Valves—one on the low-side and one on the high-side line. Using proper refrigerant practices recover the refrigerant from the Access Valves and store it in an approved container. Do not discharge the refrigerant into the atmosphere.

[b] EVACUATION AND RECHARGE [R-404A]

- 1) Attach Charging Hoses, a Service Manifold and a Vacuum Pump to the system. Be sure to connect charging hoses to both High and Low-side Access Valves.

IMPORTANT

The vacuum level and Vacuum Pump may be the same as those for current refrigerants. However, the rubber hose and gauge manifold to be used for evacuation and refrigerant charge should be exclusively for POE oils.

- 2) Turn on the Vacuum Pump. Never allow the oil in the Vacuum Pump to flow backward.
- 3) Allow the Vacuum Pump to pull down to a 29.9" Hg vacuum. Evacuating period depends on pump capacity.
- 4) Close the Low-side Valve and High-side Valve on the Service Manifold.

- 5) Disconnect the Vacuum Pump, and attach a Refrigerant Service Cylinder to the High-side line. Remember to loosen the connection, and purge the air from the Hose. See the Nameplate for the required refrigerant charge. Hoshizaki recommends only virgin refrigerant or reclaimed refrigerant which meets ARI Standard No. 700-88 be used.
- 6) A liquid charge is recommended for charging an R-404A system. Invert the service cylinder. Open the High-side, Service Manifold Valve.
- 7) Allow the system to charge with liquid until the pressures balance.
- 8) If necessary, add any remaining charge to the system through the Low-side. Use a throttling valve or liquid dispensing device to add the remaining liquid charge through the Low-side access port with the unit running.
- 9) Close the two Refrigerant Access Valves, and disconnect the Hoses and Service Manifold.
- 10) Cap the Access Valves to prevent a possible leak.

2. BRAZING

DANGER

1. Refrigerant R-404A itself is not flammable at atmospheric pressure and temperatures up to 176° F.
2. Refrigerant R-404A itself is not explosive or poisonous. However, when exposed to high temperatures (open flames) R-404A can be decomposed to form hydrofluoric acid and carbonyl fluoride both of which are hazardous.
3. Always recover the refrigerant and store it in an approved container. Do not discharge the refrigerant into the atmosphere.
4. Do not use silver alloy or copper alloy containing Arsenic.
5. Do not use R-404A as a mixture with pressurized air for leak testing. Refrigerant leaks can be detected by charging the unit with a little refrigerant, raising the pressure with nitrogen and using an electronic leak detector.

Note: All brazing-connections inside the bin are clear-paint coated. Sandpaper the brazing connections before unbrazing the components. Use a good abrasive cloth to remove coating.

3. REMOVAL AND REPLACEMENT OF COMPRESSOR

IMPORTANT

Always install a new Drier every time the sealed refrigeration system is opened. Do not replace the Drier until after all other repair or replacement has been made.

Note: When replacing a Compressor with a defective winding, be sure to install the new Start Capacitor and Start Relay supplied with the replacement Compressor. Due to the ability of the POE oil in the compressor to absorb moisture quickly, the Compressor must not be opened more than 15 minutes for replacement or service. Do not mix lubricants of different compressors even if both are charged with R-404A, except when they use the same lubricant.

- 1) Turn off the power supply and unplug the icemaker.
- 2) Remove the Front Panel and slide out the refrigeration base.
- 3) Recover the refrigerant and store it in an approved container.
- 4) Remove the Terminal Cover on the Compressor, and disconnect the Compressor Wiring.
- 5) Remove the Discharge and Suction Pipes using brazing equipment.
- 6) Remove the Hold-down Bolts, Washers and Rubber Grommets.
- 7) Slide and remove the Compressor. Unpack the new Compressor package. Install the new Compressor.
- 8) Attach the Rubber Grommets of the prior Compressor.
- 9) Sandpaper the Suction, Discharge and Process Pipes.
- 10) Place the Compressor in position, and secure it using the Bolts and Washers.
- 11) Remove plugs from the Suction, Discharge and Process Pipes.
- 12) Braze the Process, Suction and Discharge lines (Do not change this order), while purging with nitrogen gas flowing at the pressure 3 - 4 PSIG.
- 13) Install the new Filter Drier.
- 14) Check for leaks using nitrogen gas (140 PSIG) and soap bubbles.

- 15) Evacuate the system, and charge it with refrigerant. See the Nameplate for the required refrigerant charge.
- 16) Connect the Terminals, and replace the Terminal Cover in its correct position.
- 17) Slide in the refrigeration base and replace the Front Panel in its correct position.
- 18) Plug in the icemaker, and turn on the power supply.

4. REMOVAL AND REPLACEMENT OF DRIER

IMPORTANT

Always install a new Drier every time the sealed refrigeration system is opened. Do not replace the Drier until after all other repair or replacement has been made.

- 1) Turn off the power supply and unplug the icemaker.
- 2) Remove the panels.
- 3) Recover the refrigerant and store it in an approved container.
- 4) Remove the Drier.
- 5) Install the new Drier, with the arrow on the Drier, in the direction of the refrigerant flow. Use nitrogen gas at the pressure of 3 - 4 PSIG when brazing the tubings.
- 6) Check for leaks using nitrogen gas (140 PSIG) and soap bubbles.
- 7) Evacuate the system, and charge it with refrigerant. See the Nameplate for the required refrigerant charge.
- 8) Replace the panels in their correct position.
- 9) Plug in the icemaker, and turn on the power supply.

5. REMOVAL AND REPLACEMENT OF EXPANSION VALVE

IMPORTANT

Sometimes moisture in the refrigerant circuit exceeds the Drier capacity and freezes up at the Expansion Valve. Always install a new Drier every time the sealed refrigeration system is opened. Do not replace the Drier until after all other repair or replacement has been made.

- 1) Turn off the power supply.
- 2) Remove the Front Panel and slide out the refrigeration base.
- 3) Recover the refrigerant and store it in an approved container.
- 4) Remove the insulation and the Expansion Valve Bulb on the suction line.
- 5) Remove the Expansion Valve Cover, and disconnect the Expansion Valve using brazing equipment.
- 6) Braze the new Expansion Valve, with nitrogen gas flowing at the pressure of 3 - 4 PSIG.

WARNING

1. Do not heat the wall. Place a steel barrier for protection.
2. Always protect the valve body by using a damp cloth to prevent the valve from overheating. Do not braze with the valve body exceeding 250°F.

- 7) Install the new Drier.
- 8) Check for leaks using nitrogen gas (140 PSIG) and soap bubbles.
- 9) Evacuate the system, and charge it with refrigerant. See the Nameplate for the required refrigerant charge.
- 10) Attach the Bulb to the suction line in position. Be sure to secure it with clamps and to insulate it.
- 11) Place the new set of Expansion Valve Covers in position.
- 12) Replace the panels in their correct position.
- 13) Plug in the icemaker, and turn on the power supply.

6. REMOVAL AND REPLACEMENT OF HOT GAS VALVE

CAUTION

Always use a copper tube of the same diameter and length when replacing the hot gas lines; otherwise the performance may be reduced.

IMPORTANT

Always install a new Drier every time the sealed refrigeration system is opened. Do not replace the Drier until after all other repair or replacement has been made.

- 1) Turn off the power supply and unplug the icemaker.
- 2) Remove the panels.
- 3) Recover the refrigerant and store it in an approved container.
- 4) Remove the screw and the Solenoid.
- 5) Disconnect the Hot Gas Valve using brazing equipment.
- 6) Install the new valve.

WARNING

Always protect the valve body by using a damp cloth to prevent the valve from overheating. Do not braze with the valve body exceeding 250°F.

- 7) Install the new Drier.
- 8) Check for leaks using nitrogen gas (140 PSIG) and soap bubbles.
- 9) Evacuate the system, and charge it with refrigerant. See the Nameplate for the required refrigerant charge.
- 10) Cut the leads of the Solenoid allowing enough lead length to reconnect using closed end connectors.
- 11) Connect the new Solenoid leads.
- 12) Attach the Solenoid to the valve body, and secure it with a screw.
- 13) Slide in the refrigeration base and replace the Front Panel in its correct position.
- 14) Plug in the icemaker, and turn on the power supply.

7. REMOVAL AND REPLACEMENT OF EVAPORATOR

IMPORTANT

Always install a new Drier every time the sealed refrigeration system is opened. Do not replace the Drier until after all other repairs or replacements have been made.

- 1) Turn off the power supply, and unplug the icemaker.
- 2) Remove the panels and the Top Insulation over the Evaporator.
- 3) Recover the refrigerant and store it in an approved container.
- 4) Remove the Spray Tubes and the Insulations at the "U" shaped notch where the refrigeration tubings go through the molded chassis.
- 5) Remove the Insulation Tube, and disconnect the Evaporator Inlet Tubing at the Tee next to the Expansion Valve.
- 6) Remove the screws holding the Evaporator to the plastic Rear Panel.
- 7) Lift up the Evaporator, and disconnect the Evaporator Outlet Tubing.
- 8) Install the new Evaporator.
- 9) Install the new Drier.
- 10) Check for leaks using nitrogen gas (140 PSIG) and soap bubbles.
- 11) Evacuate the system, and charge it with refrigerant. See the Nameplate for the required refrigerant charge.
- 12) Replace the removed parts in the reverse order of which they were removed.
- 13) Replace the Top Insulation and the panels in their correct position.
- 14) Plug in the icemaker, and turn on the power supply.

8. REMOVAL AND REPLACEMENT OF WATER REGULATING VALVE - WATER-COOLED MODEL ONLY

IMPORTANT

Always install a new Drier every time the sealed refrigeration system is opened. Do not replace the Drier until after all other repair or replacement has been made.

- 1) Turn off the power supply, and unplug the icemaker.
- 2) Close the Water Supply Line Shut-off Valve.
- 3) Remove the Front Panel and slide out the refrigeration base.
- 4) Recover the refrigerant and store it in an approved container.
- 5) Disconnect the Capillary Tube at the Condenser outlet using brazing equipment.
- 6) Disconnect the Flare-connections of the valve.
- 7) Remove the screws and the valve from the Bracket.
- 8) Install the new valve, and braze the Capillary Tube.
- 9) Install the new Drier.
- 10) Check for leaks using nitrogen gas (140 PSIG) and soap bubbles.
- 11) Evacuate the system, and charge it with refrigerant. See the Nameplate for the required refrigerant charge.
- 12) Connect the Flare-connections.
- 13) Open the Water Supply Line Shut-off Valve.
- 14) Check for water leaks.
- 15) Slide in the refrigeration base and replace the Front Panel in its correct position.
- 16) Plug in the icemaker, and turn on the power supply.

9. ADJUSTMENT OF WATER REGULATING VALVE - WATER-COOLED MODEL ONLY

The Water Regulating Valve (also called "WATER REGULATOR") is factory-adjusted. No adjustment is required under normal use. Adjust the Water Regulator, if necessary, using the following procedures.

- 1) Attach a pressure gauge to the high-side line of the system or prepare a thermometer to check for the condenser drain temperature.
- 2) Rotate the adjustment screw by using a flat blade screwdriver, so that the pressure gauge shows 270 PSIG or the thermometer reads 104-115 °F, 5 minutes after a freeze cycle or icemaking process starts. When the pressure exceeds 270 PSIG, or the condenser drain temperature exceeds 115 ° F, rotate the adjustment screw counterclockwise. See Fig. 1.
- 3) Check that the pressure or the condenser drain temperature holds a stable setting.

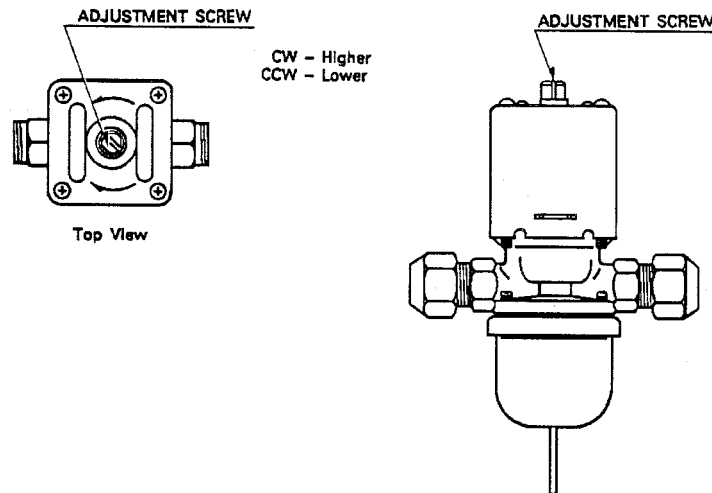


Fig. 1

10. REMOVAL AND REPLACEMENT OF THERMISTOR

CAUTION

1. Fragile, handle very carefully.
2. Always use a recommended sealant (High Thermal Conductive Type), Model KE4560RTV manufactured by SHINETSU SILICONE, Part Code 60Y000-11, or Part Code 4A0683-01 or equivalent.
3. Always use a recommended foam insulation (Non-absorbent Type) or equivalent.
4. Do not shorten or cut the Thermistor leads when installing it.

- 1) Turn off the power supply, and unplug the icemaker.
- 2) Remove the panels.
- 3) Remove the Control Box Cover at the rear of the unit.
- 4) Disconnect the Thermistor leads from the K3 Connector on the Controller Board.

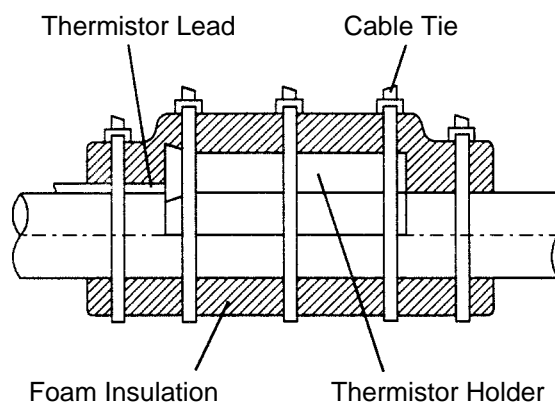


Fig. 2

- 5) Remove the Plastic Cable Ties, Foam Insulation, Thermistor Holder and Thermistor. See Fig. 2.
- 6) Scrape away the old sealant on the Thermistor Holder and the Suction Pipe.
- 7) Wipe off moisture or condensation on the Suction Pipe.
- 8) Smoothly apply recommended sealant (KE4560RTV, Part Code 60Y000-11) to the Thermistor Holder concave.
- 9) Attach the new Thermistor to the Suction Pipe very carefully to prevent damage to the leads. Secure it using the Thermistor Holder and recommended foam insulation.
- 10) Secure the insulation using the Plastic Cable Ties.

- 11) Connect the Thermistor leads through the bushing of the Control Box to the K3 Connector on the Controller Board.

Note: Do not cut the leads of the Thermistor while installing it.

- 12) Replace the Control Box Cover and the panels in their correct positions.
- 13) Plug in the icemaker, and turn on the power supply.

11. REMOVAL AND REPLACEMENT OF FAN MOTOR - EXCEPT WATER-COOLED MODEL

- 1) Turn off the power supply, and unplug the icemaker.
- 2) Remove the Front Panel and slide out the refrigeration base.
- 3) Remove the screws and the Fan Shroud.
- 4) Remove the Fan Blade.
- 5) Remove the closed end connectors of the Fan Motor.
- 6) Remove the Fan Motor Bracket.
- 7) Remove the Fan Motor from the Bracket.
- 8) Install the new Fan Motor, and replace the removed parts in the reverse order of which they were removed.
- 9) Slide in the refrigeration base and replace the Front Panel in its correct position.
- 10) Plug in the icemaker, and turn on the power supply.

12. REMOVAL AND REPLACEMENT OF WATER VALVE

- 1) Turn off the power supply, and unplug the icemaker.
- 2) Close the Water Supply Line Shut-off Valve.
- 3) Disconnect the water supply piping.
- 4) Remove the Top Panel.
- 5) Disconnect the Valve Outlet Tubing by releasing the Clamp.
- 6) Disconnect the Terminals from the Water Valve.

- 7) Remove the Fitting and the Gasket.
- 8) Release the Hose Clamp, and disconnect the Hose.
- 9) Remove the Water Valve from the Rear Panel.
- 10) Install the new Water Valve, and replace the removed parts in the reverse order of which they were removed.
- 11) Replace the Top Panel in its correct position.
- 12) Open the Water Supply Line Shut-off Valve.
- 13) Plug in the icemaker, and turn on the power supply.

13. REMOVAL AND REPLACEMENT OF PUMP MOTOR

Note: When replacing a Pump Motor with defective winding, it is recommended that a new capacitor be installed.

- 1) Turn off the power supply, and unplug the icemaker.
- 2) Remove the Top Panel and Rear Panel.
- 3) Open the Bin Door.
- 4) Drain the Water Tank by removing the Rubber Tube and thumbscrew and pulling the Tank forward and slightly down.
- 5) Release the Hose Clamp, and disconnect the Hose from the Spray Tube.
- 6) Remove the closed end connectors of the Pump Motor leads.
- 7) Remove the screw and the Pump Motor Bracket.
- 8) Lift up the Pump Motor with the Pump Motor Bracket.
- 9) Release the Hose Clamp, and disconnect the Hose for the Cleaning Water Valve.
- 10) Remove the four screws and the Pump Motor.
- 11) Install the new Pump Motor, and replace the removed parts in the reverse order of which they were removed.

- 12) Close the Bin Door.
- 13) Replace the panels in their correct positions.
- 14) Plug in the icemaker, and turn on the power supply.

14. REMOVAL AND REPLACEMENT OF FLOAT SWITCH

- 1) Go through the steps 1) through 7) in “13. REMOVAL AND REPLACEMENT OF PUMP MOTOR.”
- 2) Remove the connectors of the Float Switch.
- 3) Remove the screw and the Float Switch Bracket.
- 4) Remove the two screws and the Float Switch.
- 5) Take off the Hose sleeving the Float Switch leads.
- 6) Sleeve the leads of the new Float Switch with the Hose.
- 7) Install the new Float Switch, and replace the removed parts in the reverse order of which they were removed.
- 8) Go through the steps 12) through 14) in “13. REMOVAL AND REPLACEMENT OF PUMP MOTOR.”

15. REMOVAL AND REPLACEMENT OF SPRAY TUBE

- 1) Turn off the power supply, and unplug the icemaker.
- 2) Remove the Top Panel and Top Insulation.
- 3) Disconnect the Hoses.
- 4) Lift off the Spray Tube.
- 5) Install the new Spray Tube.

Note: Place the Spray Tube so that the holding tabs on both sides are in position.

- 6) Connect the Hoses.
- 7) Replace the Top Insulation and Top Panel in their correct positions.
- 8) Plug in the icemaker, and turn on the power supply.

VI. CLEANING AND MAINTENANCE INSTRUCTIONS

1. PREPARING THE ICEMAKER FOR LONG STORAGE

IMPORTANT

Ensure all components, fasteners and thumbscrews are securely in place after any maintenance or cleaning is done to the equipment.

WARNING

When shutting off the icemaker for an extended time, drain out all water from the water tank and remove the ice from the Storage Bin. The Storage Bin should be cleaned and dried. Drain the icemaker to prevent damage to the water supply line at sub-freezing temperatures, using air or carbon dioxide. Shut off the icemaker until the proper ambient temperature is resumed.

- When the icemaker is not used for two or three days, it is sufficient to only move the Control Switch to the “OFF” position, unless the icemaker will be at sub-freezing temperatures.

[1] On water-cooled model only, first remove the water from the water-cooled condenser:

- 1) Remove the Front Panel.
- 2) Move the Control Switch, on the Control Box, to the “OFF” position.
- 3) Wait 3 minutes.
- 4) Move the Control Switch to the “ICE” position.
- 5) Allow 5 minutes for the icemaker to fill with water and the Water Pump to start opening.
- 6) Close the Water-cooled Condenser Water Supply Line Shut-off Valve.
- 7) Open the Drain Valve for the water-cooled condenser water supply line.
- 8) Allow the line to drain by gravity.
- 9) Attach compressed air or carbon dioxide supply to the Condenser Water Line Drain Valve.
- 10) Quickly blow the water-cooled condenser out using compressed air or carbon dioxide until water stops coming out.

[2] Remove the water from the potable water supply line:

- 1) Remove the Front Panel. (Except water-cooled model)
- 2) Move the Control Switch, on the Control Box, to the "OFF" position.
- 3) Wait 3 minutes.
- 4) Close the Potable Water Supply Line Shut-off Valve and open the Potable Water Supply Line Drain Valve.
- 5) Allow the line to drain by gravity.
- 6) Attach compressed air or carbon dioxide supply to the Potable Water Line Drain Valve.
- 7) Move the Control Switch to the "ICE" position.
- 8) Blow the potable water line out using compressed air or carbon dioxide.

[3] Drain the Potable Water Tank:

- 1) Disconnect the power supply.
- 2) Move the Control Switch to the "OFF" position.
- 3) Open the Door.
- 4) Remove the Cube Guide and the Overflow Pipe to drain the Water Tank. See Fig. 3
- 5) Place the Overflow Pipe and the Cube Guide in their correct positions.
- 6) Remove all ice from the Storage Bin, and clean the Storage Bin.
- 7) Shut the Door.
- 8) Replace the Front Panel in its correct position.
- 9) Close the Drain Valve.

2. CLEANING AND SANITIZING PROCEDURES

IMPORTANT

Ensure all components, fasteners and thumbscrews are securely in place after any maintenance or cleaning is done to the equipment.

WARNING

1. Hoshizaki recommends cleaning this unit at least once a year. More frequent cleaning, however, may be required in some existing water conditions.
2. To prevent injury to individuals and damage to the icemaker, do not use ammonia type cleaners.
3. Always wear liquid-proof gloves for safe handling of the cleaning and sanitizing solutions. This will prevent irritation in case the solutions come into contact with skin.

[a] CLEANING PROCEDURE

- 1) Dilute approximately 5 fl. oz. (148 ml.) of recommended cleaner, Hoshizaki “Scale Away” or “Lime-A-Way” (Economics Laboratory, Inc.) with 1 gal. (3.8 l.) of warm water.
- 2) Remove the Front Panel.
- 3) Remove all ice from the Evaporator and the Storage Bin.

Note: To remove cubes on the Evaporator, move the Control Switch, on the Control Box, to the “OFF” position and move it back to the “ICE” position after 3 minutes. The defrost cycle starts, and the cubes will be removed from the Evaporator.

- 4) Move the Control Switch to the “OFF” position. Open the Door.
- 5) Remove the Cube Guide and the Overflow Pipe to drain the Water Tank. See Fig. 3. Place the Overflow Pipe in position.
- 6) Pour the cleaning solution into the Water Tank.
- 7) Place the Cube Guide in position.

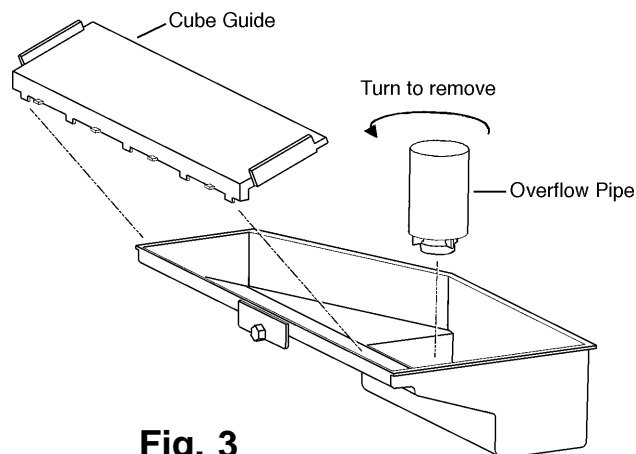


Fig. 3

- 8) Move the Control Switch to the "WASH" position. Shut the Door.
- 9) After 30 minutes, move the Control Switch to the "OFF" position.
- 10) Remove the Cube Guide and the Overflow Pipe to drain the Water Tank. Place the Overflow Pipe and Cube Guide in their correct positions.
- 11) Move the Control Switch to the "ICE" position to fill the Water Tank with water.
- 12) After 3 minutes, move the Control Switch to the "OFF" position.
- 13) Move the Control Switch to the "WASH" position.
- 14) After 5 minutes, move the Control Switch to the "OFF" position.
- 15) Remove the Cube Guide and the Overflow Pipe to drain the Water Tank. Place the Overflow Pipe and Cube Guide in their correct positions.
- 16) Repeat the above steps 11) through 15) three more times to rinse thoroughly.
- 17) Remove one end of the Tank Drain Hose and remove the Thumbscrew at the front of the Water Tank. Remove the Water Tank by pulling it toward you slightly and lowering it. See Fig. 4.

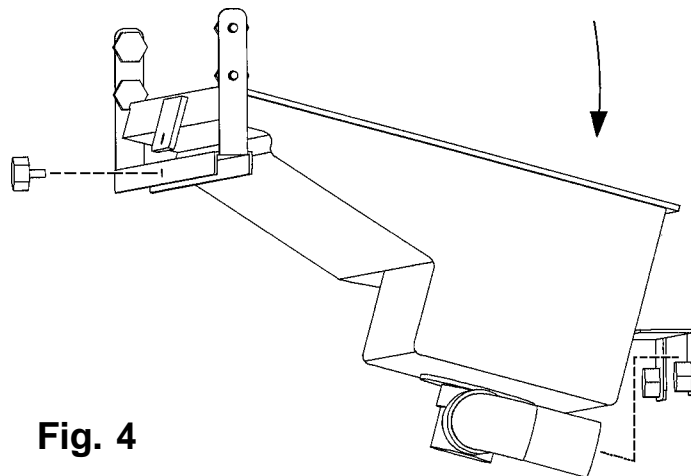


Fig. 4

- 18) Remove the Water Tank Brackets and the Thermostat Bracket from the Bin by removing the Thumbscrews.
- 19) Dilute approximately 5 fl. oz. (148 ml.) of recommended cleaner Hoshizaki "Scale Away" or "Lime-A-Way" (Economics Laboratory, Inc.) with 1 gal. (3.8 l.) of water.
- 20) Wash the bin liner, the Thermostat Bracket, the Water Tank Brackets and the Water Tank by using a nylon scouring pad, brushes and the cleaning solution.
- 21) Rinse them thoroughly with water.

[b] SANITIZING PROCEDURE - Following Cleaning Procedure

- 1) Dilute a 5.25% Sodium Hypochlorite solution (chlorine bleach) with water. [Add 0.5 fl. oz. (15 ml.) of sanitizer to 1 gal. (3.8 l.) of water.]
- 2) Wash the bin liner, the Thermostat Bracket, the Water Tank Brackets and the Water Tank using the above sanitizing solution.
- 3) Rinse the above parts thoroughly with water.
- 4) Place the Thermostat Bracket, the Water Tank Brackets, the Water Tank and the Tank Drain Hose in their correct positions.
- 5) Remove the Cube Guide.
- 6) Pour the sanitizing solution into the Water Tank.
- 7) Place the Cube Guide in its correct position.
- 8) Move the Control Switch to the “WASH” position.
- 9) Shut the Door.
- 10) After 15 minutes, move the Control Switch to the “OFF” position.
- 11) Open the Door.
- 12) Remove the Cube Guide and the Overflow Pipe to drain the Water Tank. Place the Overflow Pipe and the Cube Guide in position.
- 13) Repeat the above steps 11) through 15) in “[a] CLEANING PROCEDURE” two times to rinse thoroughly.
- 14) Flush the Storage Bin with water.
- 15) Move the Control Switch to the “ICE” position, and start the automatic icemaking process.
- 16) Place the Front Panel in position, and shut the Door.

3. MAINTENANCE

IMPORTANT

This icemaker must be maintained individually, referring to the instruction manual and labels provided with the icemaker.

1) Stainless Steel Exterior

To prevent corrosion, wipe the exterior occasionally with a clean and soft cloth. Use a damp cloth containing a neutral cleaner to wipe off oil or dirt build up.

2) Storage Bin and Scoop

- Wash your hands before removing ice. Use the plastic scoop provided.
- The Storage Bin is for ice use only. Do not store anything else in the bin.
- Keep the scoop clean. Clean it by using a neutral cleaner and rinse thoroughly.
- Clean the bin liner by using a neutral cleaner. Rinse thoroughly after cleaning.

3) Air Filter (Air-cooled model only)

A plastic mesh air filter removes dirt or dust from the air, and keeps the Condenser from getting clogged. As the filter gets clogged, the icemaker's performance will be reduced. Check the filter at least twice a month. When clogged, use warm water and a neutral cleaner to wash the filter.

4) Condenser (Air-cooled model only)

Check the Condenser once a year, and clean if required by using a brush or vacuum cleaner. More frequent cleaning may be required depending on the location of the icemaker.