
NO. 71090

ISSUED: JUNE 7, 1994

REVISED: AUG. 7, 2000



**HOSHIZAKI
STACKABLE CRESCENT CUBER**

MODEL

KM-2000SWE3

KM-2000SRE3

(FINAL) PARTS LIST

KM-2000SWE3

D-0 June, 1994
E-1 April, 1995
F-1 May, 1996
F-2 July, 1996
G-0 Jan., 1997
G-1 July, 1997
H-0 Jan., 1998

KM-2000SRE3

D-0 Feb., 1994
E-0 Dec., 1994
E-1 April, 1995
F-1 April, 1996
F-2 July, 1996
G-0 Jan., 1997
G-1 Aug., 1997
H-0 March, 1998

MATERIAL ABBREVIATIONS

ALUMINUM

AL = Aluminum

COPPER

CU = Copper

PLASTIC

ABS = Acrylonitrile -butadiene - styrene
 AC = Polyacetal
 EVA = Ethylene vinyl acetate
 PA = Polyamide = Nylon
 PC = Polycarbonate
 PE = Polyethylene
 PES = Polyester
 PETP = Polyethylene terephthalate = Tetlon
 PP = Polypropylene
 PS = Polystyrene
 PTFE = Polytetrafluoroethylene = Teflon
 PUR = Polyurethane
 PVC = Polyvinyl chloride

RUBBER

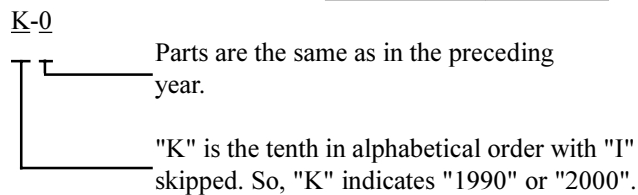
VN = Vinyl Nitrile
 EPDM = EP rubber
 NBR = Nitrile butadiene rubber
 NR = Natural rubber
 NP = Neoprene
 SI.R = Silicone rubber
 SY.R = Synthetic rubber
 EPH = Epichlorohydrin

STEEL

GS = Galvanized steel
 SS = Stainless steel
 PS = Plated steel
 PAS = Primed steel

AUXILIARY CODE

Ex.1

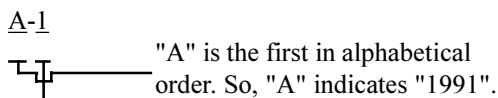


(Note) - = Part deleted.

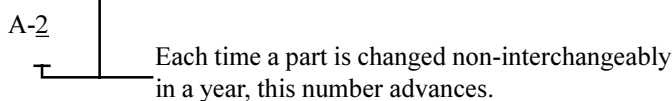
x = Part deleted and replaced by "o" part.

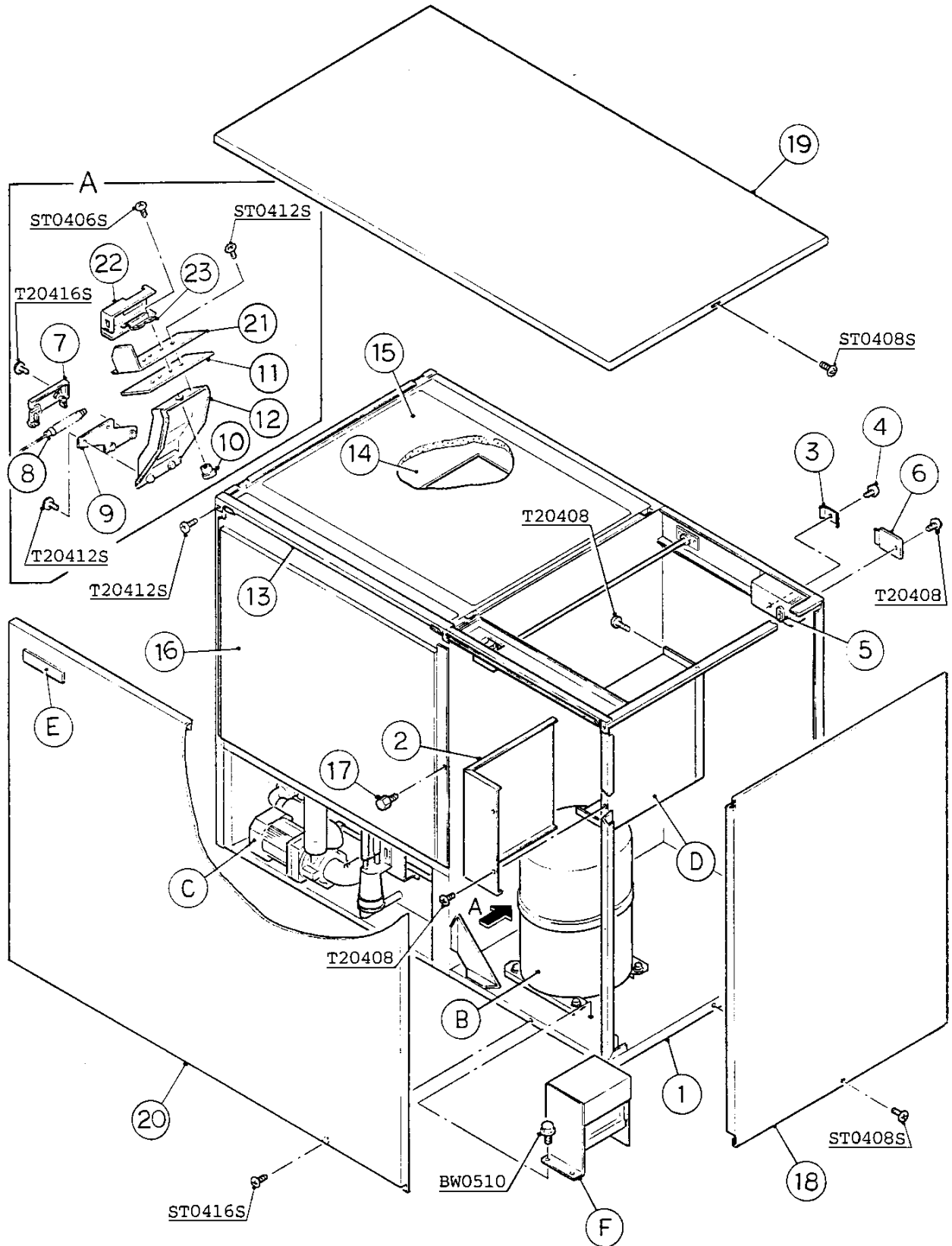
o = New part for "x" in the same auxiliary code.

Ex.2



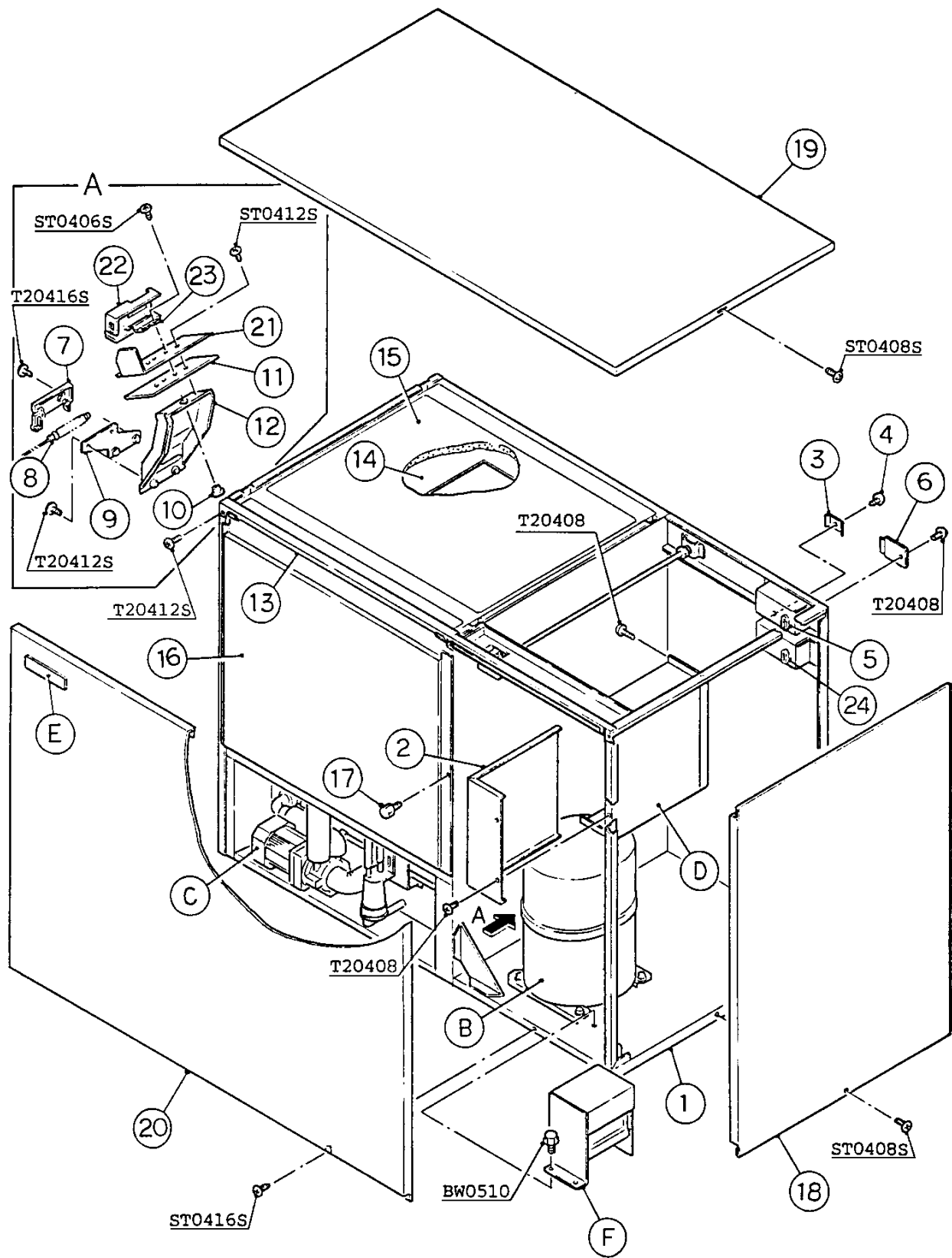
Ex.3

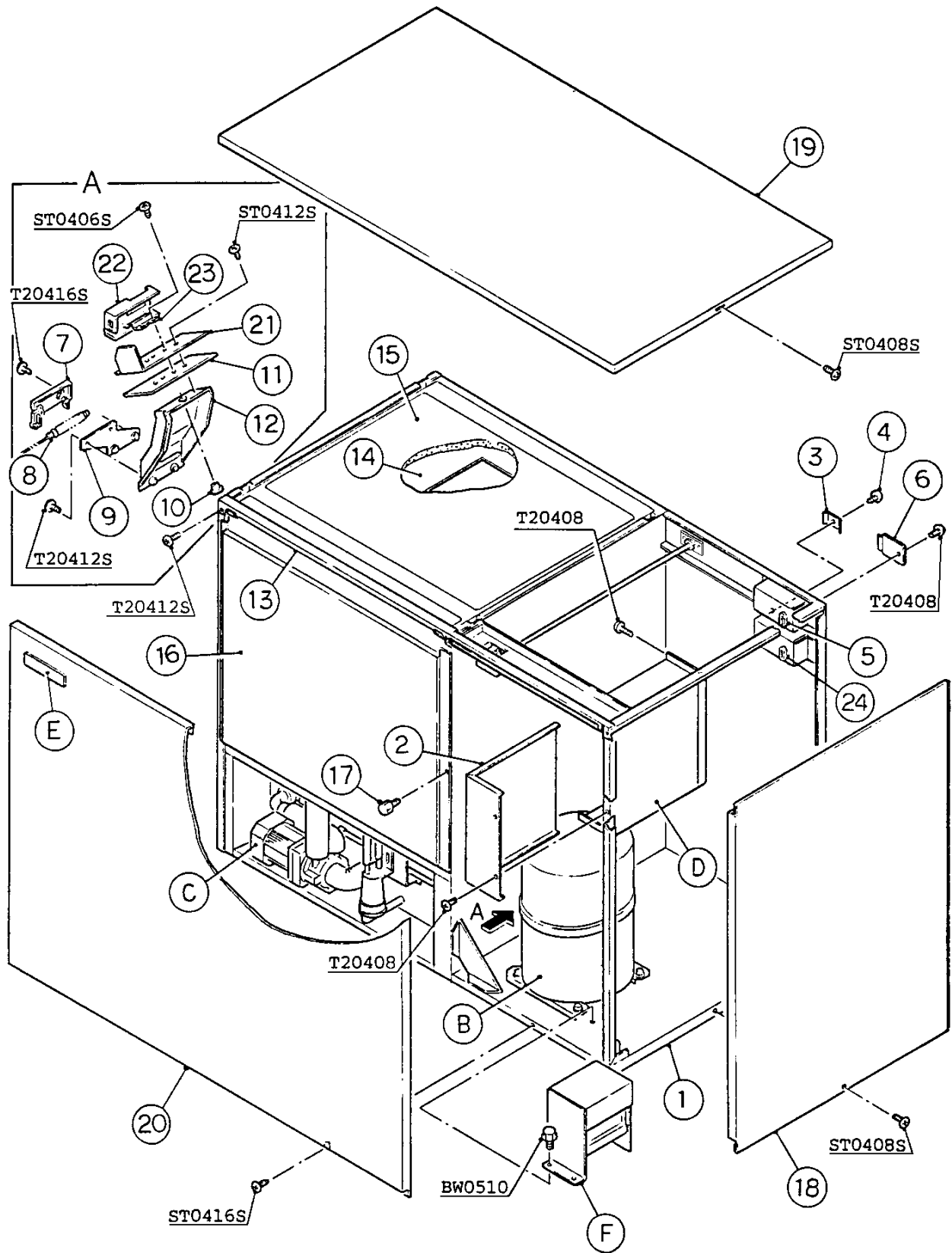




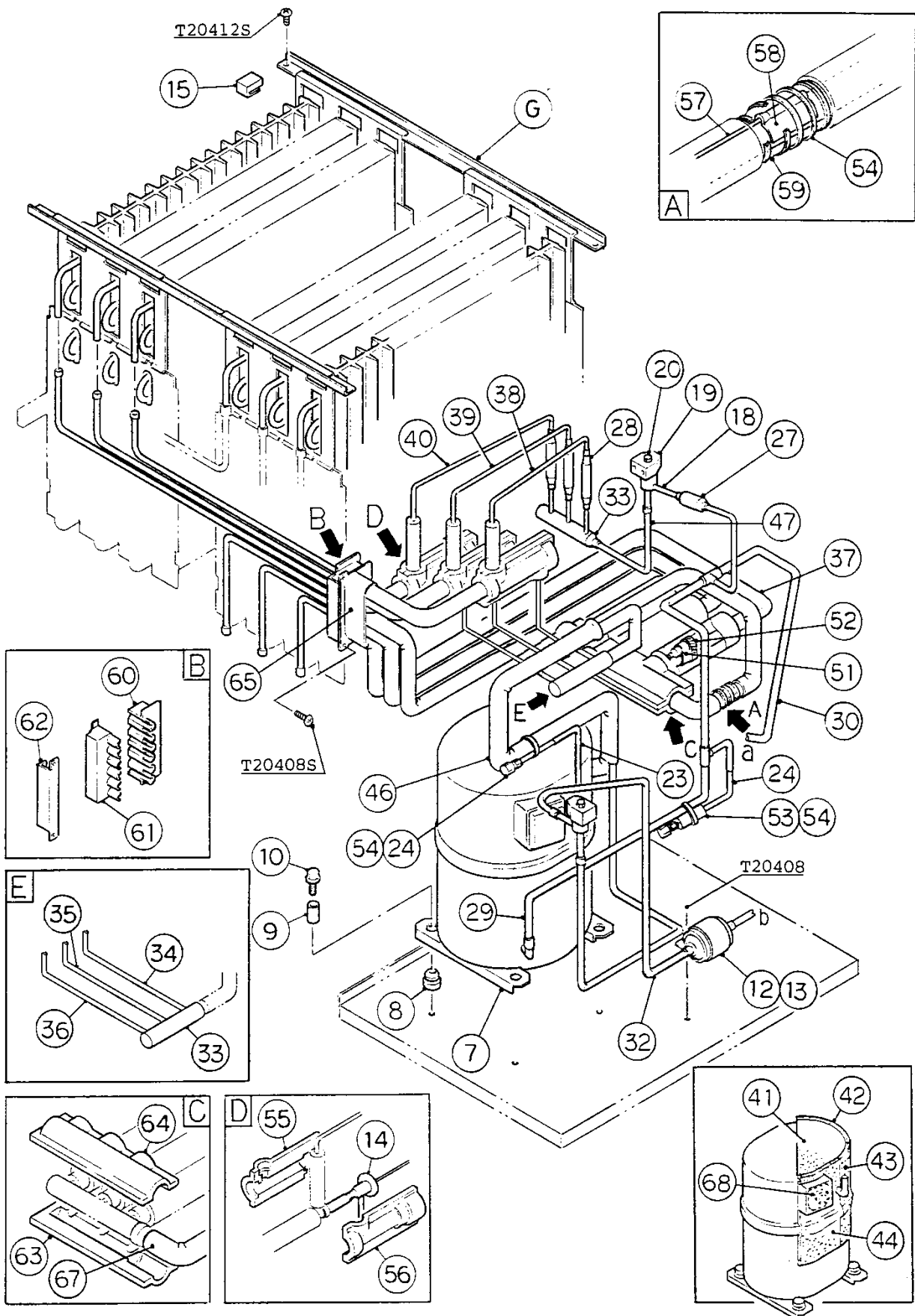
HA

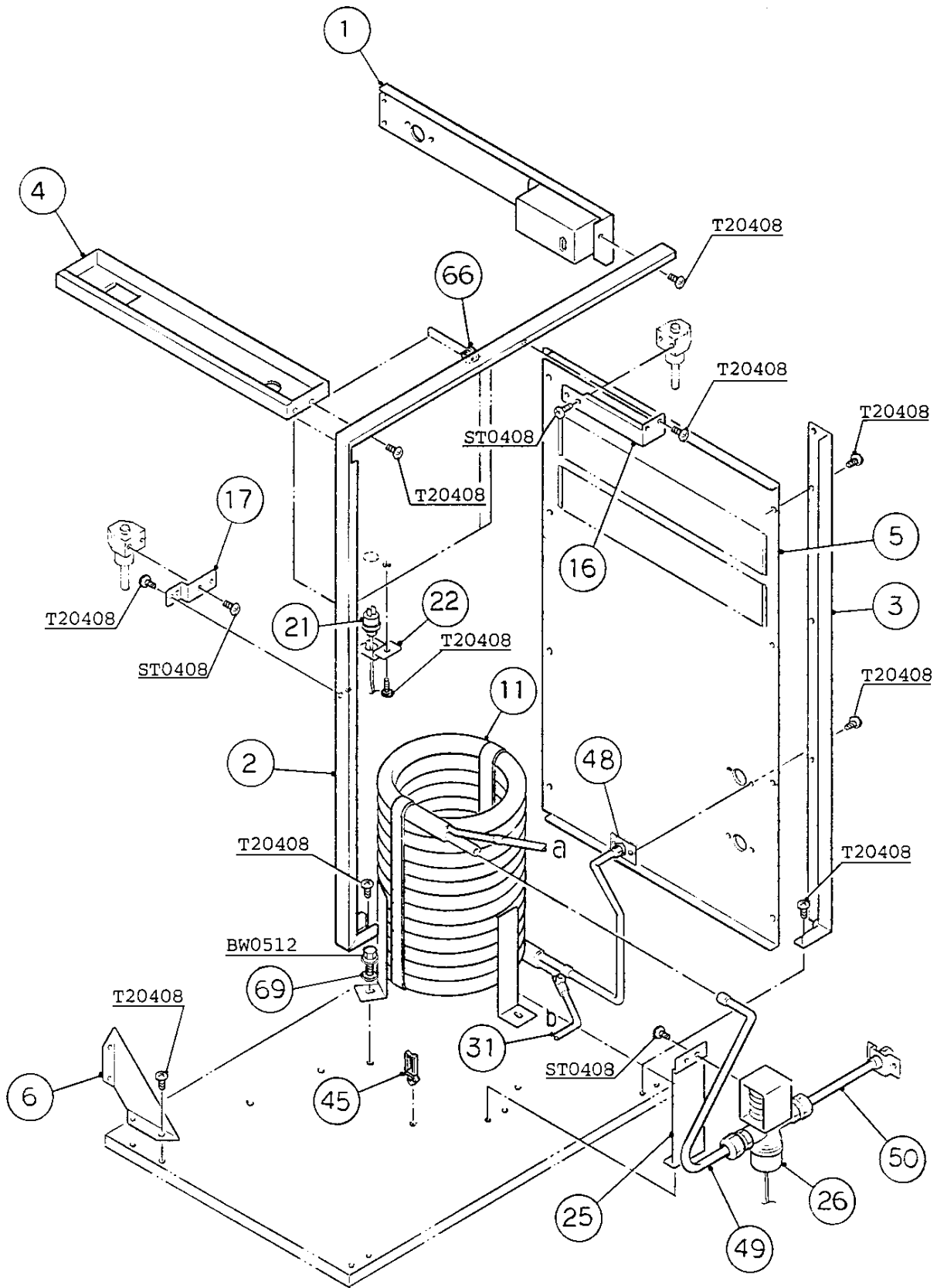
MODEL: KM-2000SWE3 TITLE: A. ICE CUBER ASSEMBLY													
INDEX NO.	DESCRIPTION	MATERIAL OR MODEL NUMBER	PART NUMBER	REQUIRED NUMBER									
				D-0	E-1	F-1	F-2	G-0	G-1	H-0			
B	REFRIGERATION CIRCUIT	-	106807A01	1	-								
		-	106807A02		1	-							
		-	106807A03			1	1	1	1	1			
C	WATER CIRCUIT	-	105122A03	1	-								
		-	105122A04		1	1	1	1	1	1			
D	CONTROL BOX ASSEMBLY	-	219335A02	1	1	1	1	1	1	1			
E	LABEL LOCATION	-	219350A02	1	1	1	1	1	1	1			
F	TRANSFORMER BOX ASSEMBLY	-	333073A01	1	1	1	1	1	1	1			
1	EVAPORATOR CASE	-	105861G04	1	-								
		-	105861G06		1	1	1	1	1	1			
2	CONTROL BOX COVER	GS	3A0174-01	1	1	1	1	1	1	1			
3	SQUARE WASHER	BRASS	433537-02	1	1	1	1	1	1	1			
4	SCREW - GROUNDING	BRASS	433304-02	1	1	1	1	1	1	1			
5	BUSHING	SR-34-2	420472-05	1	1	1	1	1	1	1			
6	JUNCTION BOX COVER	GS	433410-01	1	1	1	1	1	1	1			
7	BULB HOLDER	PE	328919-01	1	1	1	1	1	1	1			
8	SPACER	PE	443545-01	1	1	1	1	1	1	1			
9	BULB HOLDER (C)	ABS	325845G01	1	1	1	1	1	1	1			
10	BUSHING	EPDM	425307-01	1	1	1	1	1	1	1			
11	SPACER	ABS	439727-01	1	1	1	1	1	1	1			
12	BULB HOLDER (D)	ABS	215644G01	1	1	1	1	1	1	1			
13	FRONT PANEL - BRACKET	SS	323903-01	1	1	1	1	1	1	1			
14	SPACER	ABS	324321-01	1	1	1	1	1	1	1			
15	TOP INSULATION	ABS, PE	324216G01	1	1	1	1	1	1	1			
16	FRONT INSULATION	ABS, PE	326041G01	1	1	1	1	1	1	1			
17	THUMBSCREW	ABS, SS	415949G01	1	1	1	1	1	1	1			
18	SIDE PANEL (R)	SS	215381G01	1	1	1	1	1	1	1			
19	TOP PANEL	SS	213669-01	1	x1								
		SS	213669-02		o1	1	1	1	1	1			

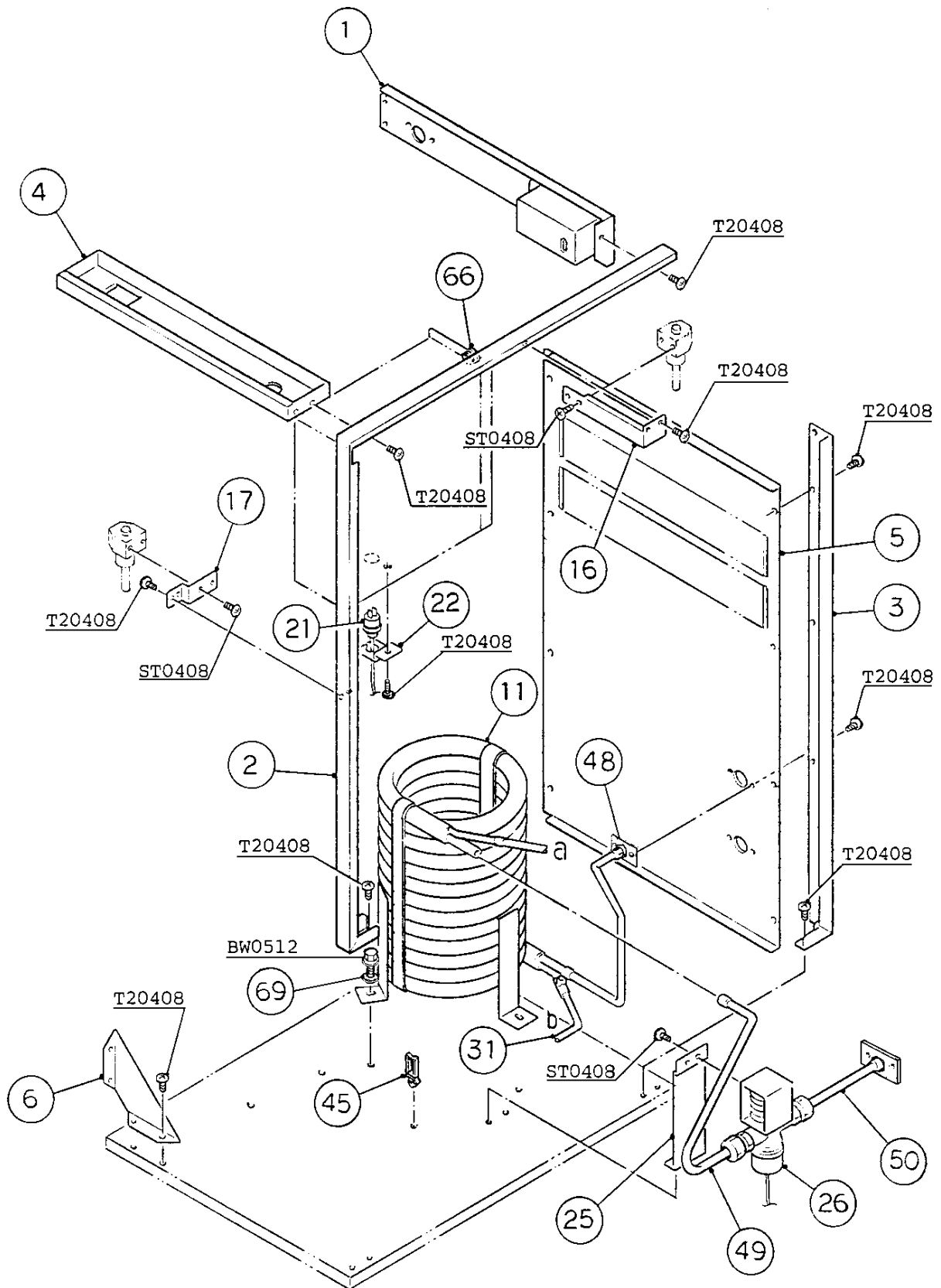


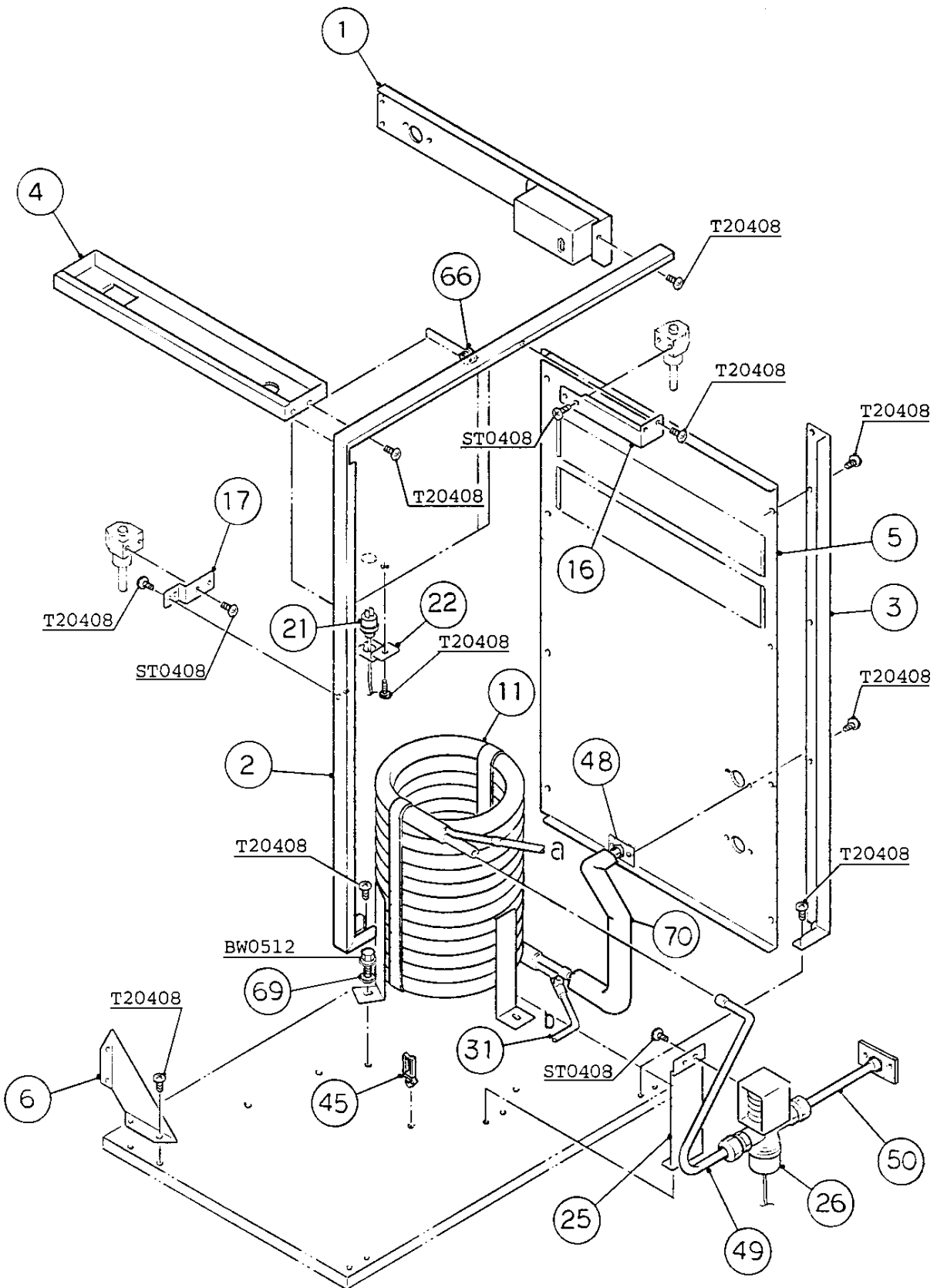


MODEL: KM-2000SRE3 TITLE: A. ICE CUBER ASSEMBLY													
INDEX NO.	DESCRIPTION	MATERIAL OR MODEL	PART NUMBER	REQUIRED NUMBER									
				D-0	E-0	E-1	F-1	F-2	G-0	G-1	H-0		
B	REFRIGERATION CIRCUIT	-	106808A01	1	1	-							
		-	106808A02			1	-						
		-	106808A03				1	1	1	1	1		
C	WATER CIRCUIT	-	105122A03	1	1	-							
		-	105122A04			1	1	1	1	1	1		
D	CONTROL BOX ASSEMBLY	-	219335A03	1	1	1	1	1	1	1	1		
E	LABEL LOCATION	-	219351A02	1	1	1	1	1	1	1	1		
F	TRANSFORMER BOX ASSEMBLY	-	333073A01	1	1	1	1	1	1	1	1		
1	EVAPORATOR CASE	-	105861G05	1	1	-							
		-	105861G07			1	1	1	1	1	1		
2	CONTROL BOX COVER	GS	3A0174-01	1	1	1	1	1	1	1	1		
3	SQUARE WASHER	BRASS	433537-02	2	2	2	2	2	2	2	2		
4	SCREW - GROUNDING	BRASS	433304-02	2	2	2	2	2	2	2	2		
5	BUSHING	SR-34-2	420472-05	1	1	1	1	1	1	1	1		
6	JUNCTION BOX COVER	GS	433410-01	2	2	2	2	2	2	2	2		
7	BULB HOLDER	PE	328919-01	1	1	1	1	1	1	1	1		
8	SPACER	PE	443545-01	1	1	1	1	1	1	1	1		
9	BULB HOLDER (C)	ABS	325845G01	1	1	1	1	1	1	1	1		
10	BUSHING	EPDM	425307-01	1	1	1	1	1	1	1	1		
11	SPACER	ABS	439727-01	1	1	1	1	1	1	1	1		
12	BULB HOLDER (D)	ABS	215644G01	1	1	1	1	1	1	1	1		
13	FRONT PANEL - BRACKET	SS	323903-01	1	1	1	1	1	1	1	1		
14	SPACER	ABS	324321-01	1	1	1	1	1	1	1	1		
15	TOP INSULATION	ABS, PE	324216G01	1	1	1	1	1	1	1	1		
16	FRONT INSULATION	ABS, PE	326041G01	1	1	1	1	1	1	1	1		
17	THUMBSCREW	ABS, SS	415949G01	1	1	1	1	1	1	1	1		
18	SIDE PANEL (R)	SS	215381G01	1	1	1	1	1	1	1	1		
19	TOP PANEL	SS	213669-01	1	x1								
		SS	213669-02		o1	1	1	1	1	1	1	1	





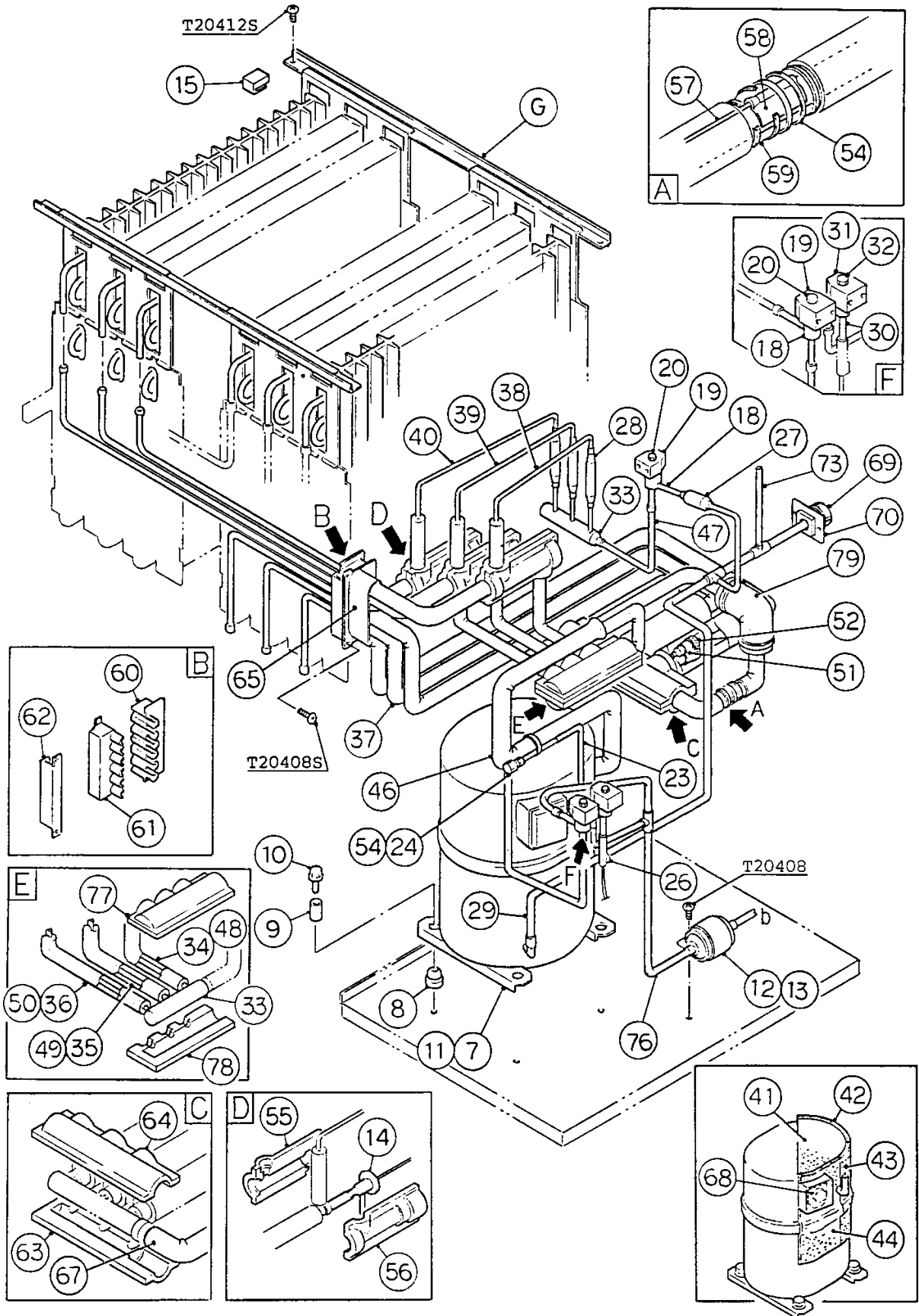




MODEL: KM-2000SWE3 TITLE: B. REFRIGERATION CIRCUIT												
INDEX NO.	DESCRIPTION	MATERIAL OR MODEL	PART NUMBER	REQUIRED NUMBER								
				D-0	E-1	F-1	F-2	G-0	G-1	H-0		
G	EVAPORATOR	-	105103A01	1	1	1	1	1	1	1		
1	REAR FRAME	GS	439285G03	1	-							
		GS	439285G04		1	1	1	1	1	1		
2	SIDE FRAME (A)	GS	220461G01	1	1	x1						
		GS	215375G01			o1	1	1	1	1		
3	SIDE FRAME (B)	GS	215376G01	1	1	1	1	1	1	1		
4	FRONT FRAME	GS	325857-01	1	1	1	1	1	1	1		
5	REAR PANEL	GS	2A0160-01	1	-							
		GS	2A0160-02		1	1	1	1	1	1		
6	BRACE	GS	325858-01	1	1	1	1	1	1	1		
7	COMPRESSOR	M53A273DBDA	4A0333-02	1	1	1	1	1	1	1		
8	GROMMET	027-0167-00	434922-01	4	4	4	4	4	4	4		
9	SPACER	028-0188-02	434921-01	4	4	4	4	4	4	4		
10	BOLT	8 x 45	437889-01	4	4	4	4	4	4	4		
11	CONDENSER - WATER-COOLED	-	219382-01	1	1	1	1	1	1	1		
12	DRIER	C-530-S	445011-01	1	1	1	1	1	1	1		
13	DRIER BRACKET	GS	445251-01	1	1	1	1	1	1	1		
14	EXPANSION VALVE	HFE-10HHD-1	443305-01	3	3	3	3	3	3	3		
15	FRAME SEAL	EPDM	323925-01	4	4	4	4	4	4	4		
16	HOT GAS VALVE BRACKET	GS	436600-01	1	1	-						
		GS	442162-01			1	1	1	1	1		
17	VALVE BRACKET	GS	445171-01	1	1	1	1	1	1	1		
18	VALVE BODY	70	440352-01	2	2	2	2	2	2	2		
19	COIL - VALVE	ABS-25-1-HD-2	440353-01	2	2	2	2	2	2	2		
20	BOLT	4 x 6	440353F01	2	2	2	2	2	2	2		
21	PRESSURE SWITCH	ACB-2UB02	433441-01	1	1	1	1	1	1	1		
22	PRESSURE SWITCH BRACKET	GS	434938-01	1	1	1	1	1	1	1		
23	COPPER TUBE - ACCESS VALVE	COPPER	439761-01	1	1	1	1	1	1	1		
24	ACCESS VALVE	TCJ-2F15-HD	417366-01	2	2	2	2	2	2	2		

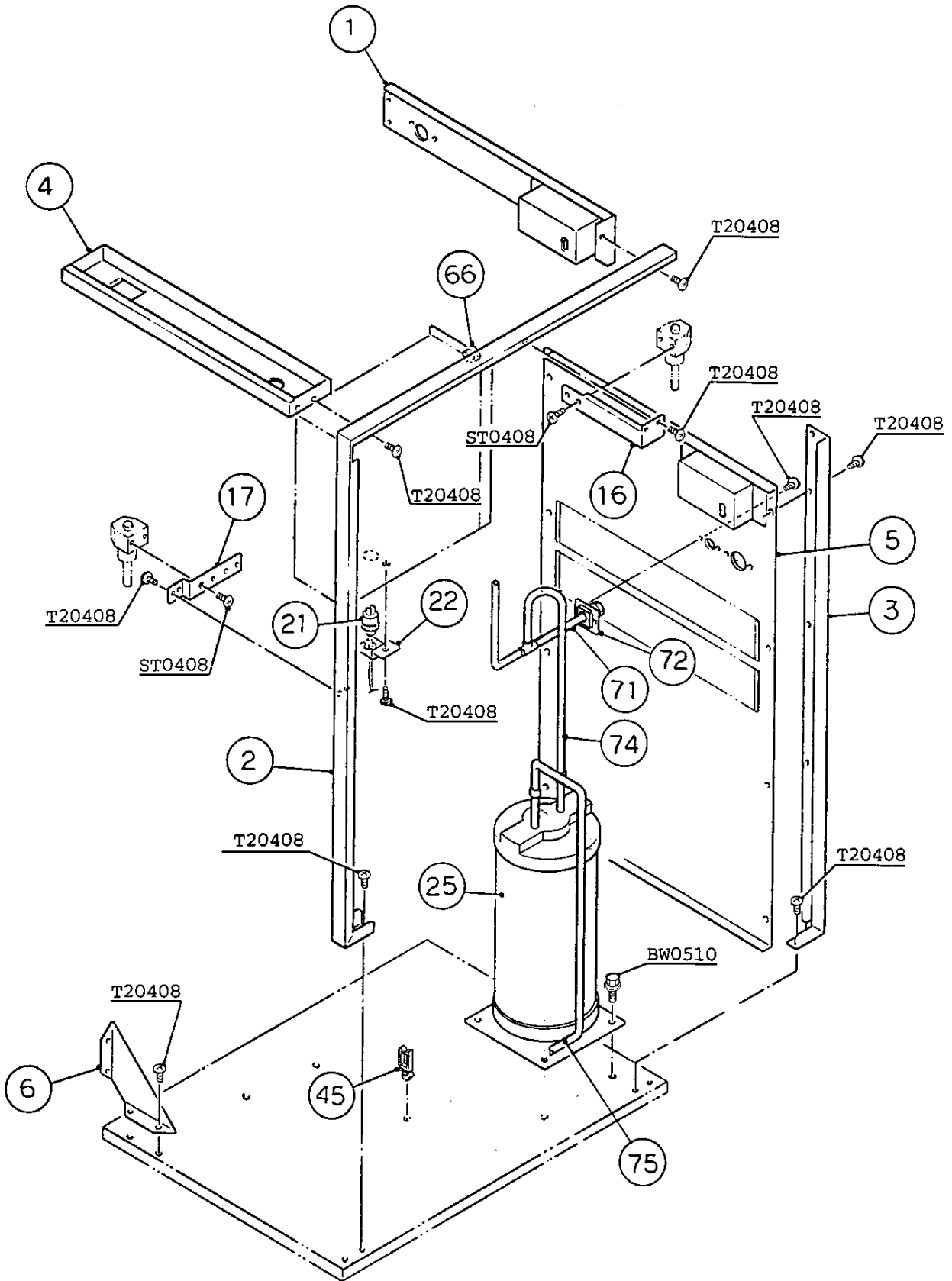
MODEL: KM-2000SWE3 TITLE: B. REFRIGERATION CIRCUIT													
INDEX NO.	DESCRIPTION	MATERIAL OR MODEL	PART NUMBER	REQUIRED NUMBER									
				D-0	E-1	F-1	F-2	G-0	G-1	H-0			
25	WATER REGULATOR BRACKET	GS	445172-01	1	1	1	1	1	1	1			
26	WATER REGULATOR ASSEMBLY	(S-0815)	446716G01	1	1	1	1	1	1	1			
27	STRAINER	-	441569-02	1	1	1	1	1	1	1			
28	CHECK VALVE	YCV5-2	425342-01	3	3	3	3	3	3	3			
29	COPPER TUBE (A) - HIGH SIDE	COPPER	220444G01	1	1	-							
		COPPER	2A0527G01			1	1	1	1	1			
30	COPPER TUBE (B) - HIGH SIDE	COPPER	332460-01	1	1	1	1	1	1	1			
31	COPPER TUBE (C) - HIGH SIDE	COPPER	446548G01	1	1	1	1	1	1	1			
32	COPPER TUBE (F) - HIGH SIDE	COPPER	220442-01	1	1	1	1	1	1	1			
33	HEADER - S	750489	441038-01	2	2	2	2	2	2	2			
34	COPPER TUBE (A) - EXP. VALVE	COPPER	446515-01	1	1	1	1	1	1	1			
35	COPPER TUBE (B) - EXP. VALVE	COPPER	446516-01	1	1	1	1	1	1	1			
36	COPPER TUBE (C) - EXP. VALVE	COPPER	446517-01	1	1	1	1	1	1	1			
37	COPPER TUBE - LOW SIDE	COPPER	106803G01	1	1	1	1	1	1	1			
38	COPPER TUBE (A) - LOW SIDE	COPPER	326312G01	1	1	1	1	1	1	1			
39	COPPER TUBE (B) - LOW SIDE	COPPER	326313G01	1	1	1	1	1	1	1			
40	COPPER TUBE (C) - LOW SIDE	COPPER	326314G01	1	1	1	1	1	1	1			
41	INSULATION - COMPRESSOR TOP	VNN 2C1 (SOFT)	447118-01	1	1	1	1	1	1	1			
42	INSULATION - COMPRESSOR RIGHT	VNN 2C1 (SOFT)	447119-01	1	1	1	1	1	1	1			
43	INSULATION - COMPRESSOR CENTER	VNN 2C1 (SOFT)	447120-01	1	1	1	1	1	1	1			
44	INSULATION - COMPRESSOR LEFT	VNN 2C1 (SOFT)	447121-01	1	1	1	1	1	1	1			
45	WIRE SADDLE	-	4A0338-02	3	3	3	3	3	3	3			
46	HEAT EXCHANGER	COPPER	107041G01	1	1	1	1	1	1	1			
47	COPPER TUBE - HOT GAS	COPPER	445173-01	1	1	-							
		COPPER	4A0803-01			1	1	1	1	1			

MODEL: KM-2000SWE3 TITLE: B. REFRIGERATION CIRCUIT													
INDEX NO.	DESCRIPTION	MATERIAL OR MODEL	PART NUMBER	REQUIRED NUMBER									
				D-0	E-1	F-1	F-2	G-0	G-1	H-0			
48	COPPER TUBE (A)	COPPER	2A0163G01	x1									
		COPPER	2A0421G01	o1	-								
		COPPER	2A0515G01		1	1	1	1	1	1	1		
49	COPPER TUBE (B)	COPPER	445176G01	1	1	1	1	1	1	1			
50	COPPER TUBE (C)	COPPER	4A0209G01	1	-								
		COPPER	4A0771G01		1	1	1	1	1	1			
51	HOLDER / EXP. VALVE - 3/8	SS	3A0107-01	3	3	3	3	3	3	3			
52	CLAMP	SS	443461-01	3	3	3	3	3	3	3			
53	INSULATION TUBE	L=40	7762-1020	3	3	3	3	3	3	3			
54	CABLE TIE	CV-200	7920-0010	14	14	14	14	14	14	14			
55	EXP. VALVE COVER (A)	PE FOAM	324214-01	3	3	3	3	3	3	3			
56	EXP. VALVE COVER (B)	PE FOAM	324214-02	3	3	3	3	3	3	3			
57	THERMISTOR	-	429006-03	1	1	1	1	1	1	1			
58	HOLDER - THERMISTOR	COPPER	438247-01	1	1	1	1	1	1	1			
59	INSULATION - THERMISTOR	PE FOAM	427441-01	1	1	1	1	1	1	1			
60	RUBBER INSULATION (A)	EPDM	325864-01	1	1	1	1	1	1	1			
61	RUBBER INSULATION (B)	EPDM	325865-01	1	1	1	1	1	1	1			
62	INSULATION HOLDER	SS	325863-01	1	1	1	1	1	1	1			
63	HEADER COVER (B1)	PE FOAM	325862-01	1	1	1	1	1	1	1			
64	HEADER COVER (B2)	PE FOAM	325862-02	1	1	1	1	1	1	1			
65	INSULATION	PE FOAM	436671-02	1	1	1	1	1	1	1			
66	BUSHING	OCB-500	428394-02	1	1	1	1	1	1	1			
67	INSULATION TUBE	L=105	7762-1630	1	1	1	1	1	1	1			
68	TERMINAL GASKET	-	334084-01	1	1	1	1	1	1	1			
69	WASHER	SS	4A0655-03	3	3	3	3	3	3	3			
70	INSULATION TUBE	L=575	7762-1630						1	1			



HA

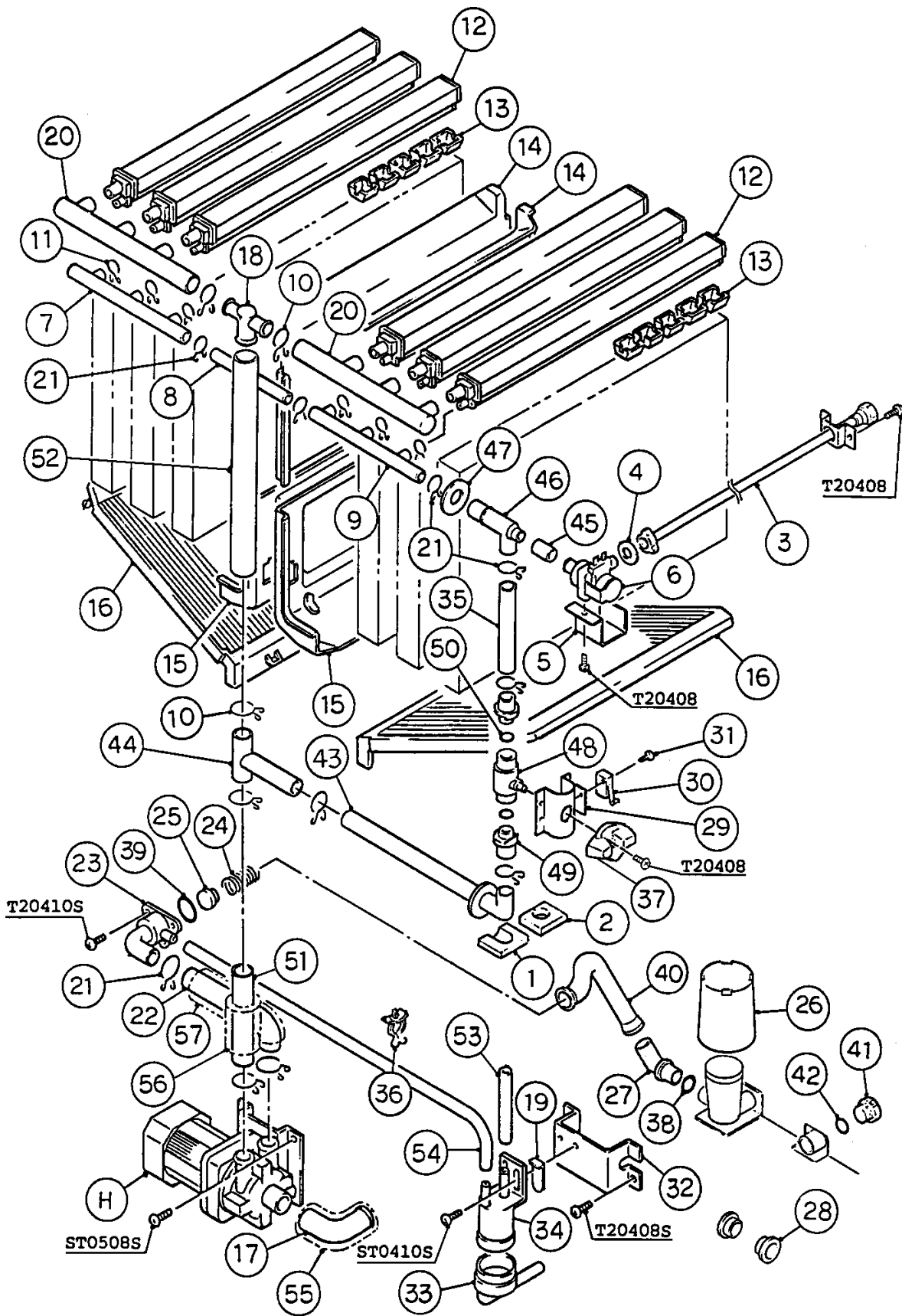
KM-2000SRE3 B. REFRIGERATION CIRCUIT (1/2) D-0, E-0, E-1, F-1, F-2, G-0, G-1, H-0

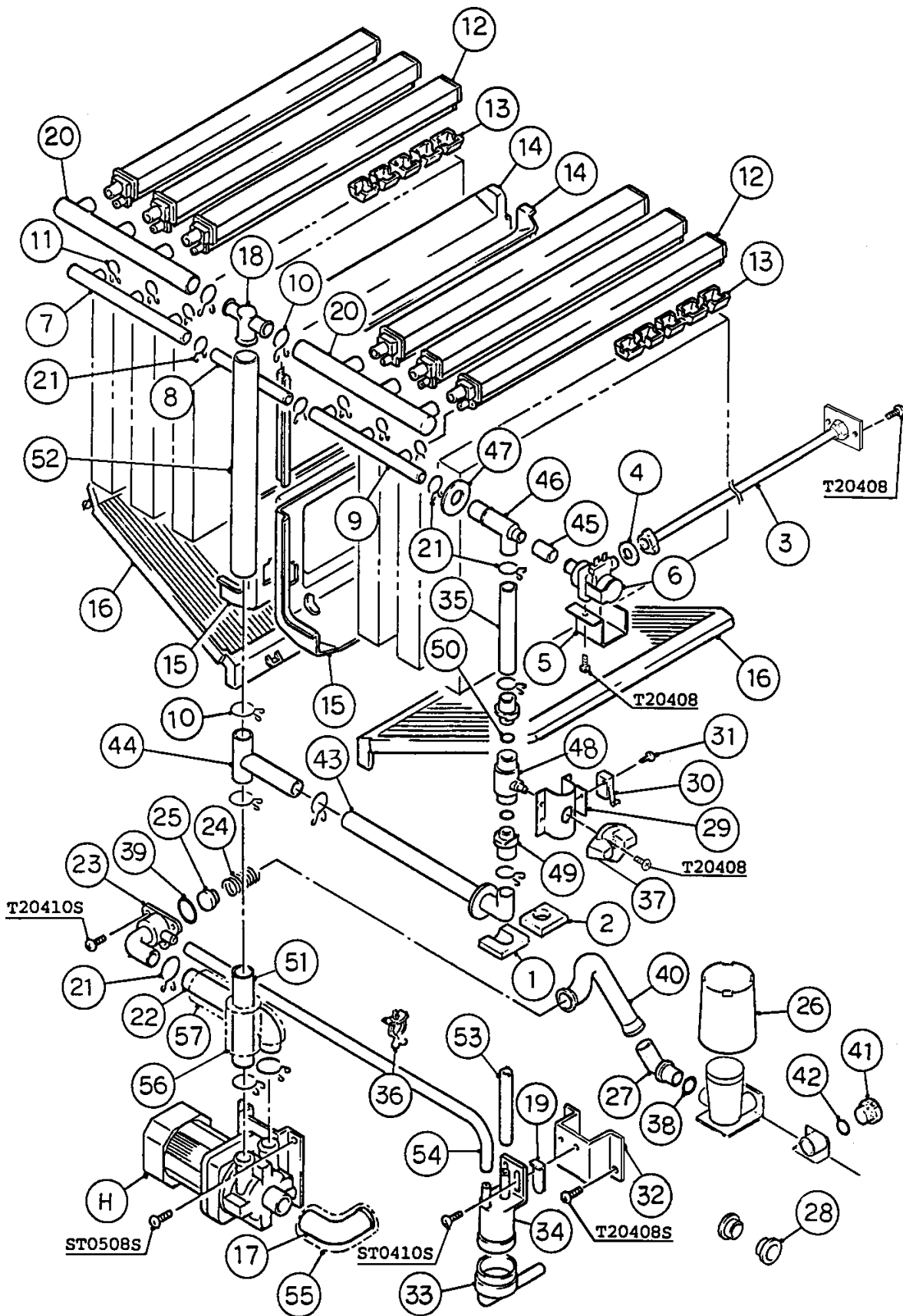


MODEL: KM-2000SRE3 TITLE: B. REFRIGERATION CIRCUIT													
INDEX NO.	DESCRIPTION	MATERIAL OR MODEL	PART NUMBER	REQUIRED NUMBER									
				D-0	E-0	E-1	F-1	F-2	G-0	G-1	H-0		
G	EVAPORATOR	-	105103A01	1	1	1	1	1	1	1	1		
1	REAR FRAME	GS	439285G03	1	1	-							
		GS	439285G04			1	1	1	1	1	1		
2	SIDE FRAME (A)	GS	220461G01	1	1	1	x1						
		GS	215375G01				o1	1	1	1	1		
3	SIDE FRAME (B)	GS	215376G01	1	1	1	1	1	1	1	1		
4	FRONT FRAME	GS	325857-01	1	1	1	1	1	1	1	1		
5	REAR PANEL	GS	21537G01	1	1	1	1	1	1	1	1		
6	BRACE	GS	325858-01	1	1	1	1	1	1	1	1		
7	COMPRESSOR	M53A273DBDA	4A033-01	1	1	1	1	1	1	1	1		
8	GROMMET	027-0167-00	434922-01	4	4	4	4	4	4	4	4		
9	SPACER	028-0188-02	434921-01	4	4	4	4	4	4	4	4		
10	BOLT	8 x 45	437889-01	4	4	4	4	4	4	4	4		
11	CRANKCASE HEATER	T.I.8HT5-505	438208-01	1	1	1	1	1	1	1	1		
12	DRIER	C-530-S	445011-01	1	1	1	1	1	1	1	1		
13	DRIER BRACKET	GS	445251-01	1	1	1	1	1	1	1	1		
14	EXPANSION VALVE	HFE-10HHD-1	443305-01	3	3	3	3	3	3	3	3		
15	FRAME SEAL	EPDM	323925-01	4	4	4	4	4	4	4	4		
16	HOT GAS VALVE BRACKET	GS	436600-01	1	1	1	-						
		GS	442162-01				1	1	1	1	1		
17	LINE VALVE BRACKET	GS	438213-01	1	1	1	1	1	1	1	1		
18	VALVE BODY	70	440352-01	2	2	2	2	2	2	2	2		
19	COIL - VALVE	ABS-25-1-HD-2	440353-01	2	2	2	2	2	2	2	2		
20	BOLT	4 x 6	440353F01	2	2	2	2	2	2	2	2		
21	PRESSURE SWITCH	ACB-2UB04	433441-05	1	1	1	1	1	1	1	1		
22	PRESSURE SWITCH BRACKET	GS	434938-01	1	1	1	1	1	1	1	1		
23	COPPER TUBE - ACCESS VALVE	COPPER	439761-01	1	1	1	1	1	1	1	1		
24	ACCESS VALVE	TCJ-2F15-HD	417366-01	1	1	1	1	1	1	1	1		
25	RECEIVER	RR MN WP450	438209-01	1	1	1	1	1	1	1	1		
26	COPPER TUBE - CAPILLARY	COPPER	445174G01	1	1	1	1	1	1	1	1		

MODEL: KM-2000SRE3 TITLE: B. REFRIGERATION CIRCUIT														
INDEX NO.	DESCRIPTION	MATERIAL OR MODEL	PART NUMBER	REQUIRED NUMBER										
				D-0	E-0	E-1	F-1	F-2	G-0	G-1	H-0			
27	STRAINER	-	441569-02	1	1	1	1	1	1	1	1	1		
28	CHECK VALVE	YCV5-2	425342-01	3	3	3	3	3	3	3	3	3		
29	COPPER TUBE (A) - HIGH SIDE	COPPER	220444G02	1	1	1	-							
		COPPER	2A0527G02				1	1	1	1	1			
30	VALVE BODY	24	440351-01	1	1	1	1	1	1	1	1	1		
31	COIL - VALVE	ADS-24HD-3	440354-01	1	1	1	1	1	1	1	1	1		
32	BOLT	4x6	440354F01	1	1	1	1	1	1	1	1	1		
33	HEADER - S	750489	441038-01	2	2	2	2	2	2	2	2	2		
34	COPPER TUBE (A) - EXP. VALVE	COPPER	446515-01	1	1	1	1	1	1	1	1	1		
35	COPPER TUBE (B) - EXP. VALVE	COPPER	446516-01	1	1	1	1	1	1	1	1	1		
36	COPPER TUBE (C) - EXP. VALVE	COPPER	446517-01	1	1	1	1	1	1	1	1	1		
37	COPPER TUBE - LOW SIDE	COPPER	106803G01	1	1	1	1	1	1	1	1	1		
38	COPPER TUBE (A) - LOW SIDE	COPPER	326312G01	1	1	1	1	1	1	1	1	1		
39	COPPER TUBE (B) - LOW SIDE	COPPER	326313G01	1	1	1	1	1	1	1	1	1		
40	COPPER TUBE (C) - LOW SIDE	COPPER	326314G01	1	1	1	1	1	1	1	1	1		
41	INSULATION - COMPRESSOR TOP	VNN 2C1 (SOFT)	447118-01	1	1	1	1	1	1	1	1	1		
42	INSULATION - COMPRESSOR RIGHT	VNN 2C1 (SOFT)	447119-01	1	1	1	1	1	1	1	1	1		
43	INSULATION - COMPRESSOR CENTER	VNN 2C1 (SOFT)	447120-01	1	1	1	1	1	1	1	1	1		
44	INSULATION - COMPRESSOR LEFT	VNN 2C1 (SOFT)	447121-01	1	1	1	1	1	1	1	1	1		
45	WIRE SADDLE	VWS4238-C	4A0338-02	3	3	3	3	3	3	3	3	3		
46	HEAT EXCHANGER	COPPER	106804G01	1	1	1	1	1	1	1	1	1		
47	COPPER TUBE - HOT GAS	COPPER	439729-01	1	1	1	-							
		COPPER	4A0804-01				1	1	1	1	1			
48	INSULATION TUBE	L=219	7762-1020	1	1	1	1	1	1	1	1	1		
49	INSULATION TUBE	L=264	7762-1020	1	1	1	1	1	1	1	1	1		
50	INSULATION TUBE	L=308	7762-1020	1	1	1	1	1	1	1	1	1		

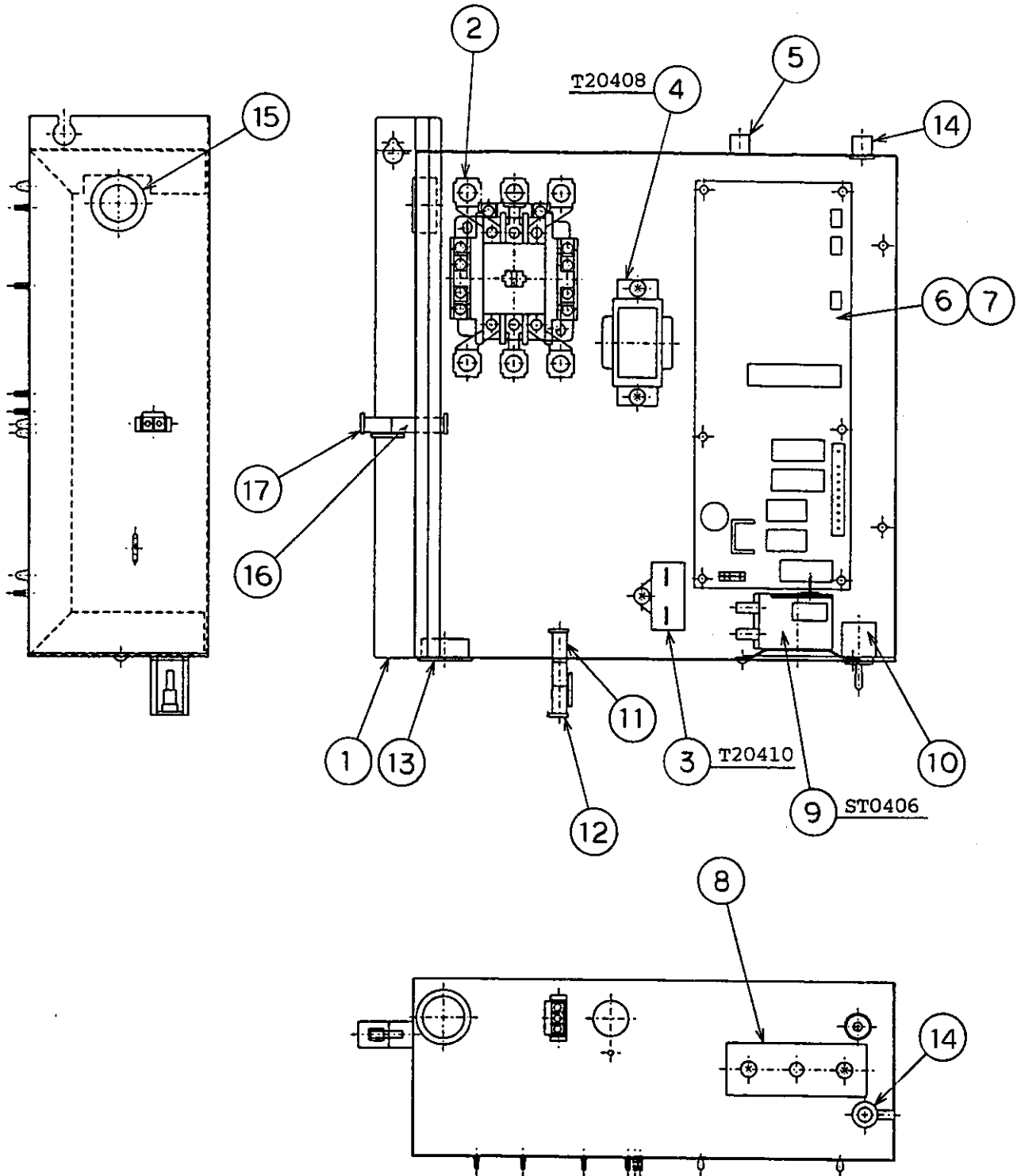
MODEL: KM-2000SRE3 TITLE: B. REFRIGERATION CIRCUIT													
INDEX NO.	DESCRIPTION	MATERIAL OR MODEL	PART NUMBER	REQUIRED NUMBER									
				D-0	E-0	E-1	F-1	F-2	G-0	G-1	H-0		
51	HOLDER / EXP. VALVE - 3/8	SS	3A0107-01	3	3	3	3	3	3	3	3	3	
52	CLAMP	SS	443461-01	3	3	3	3	3	3	3	3	3	
53	INSULATION TUBE	L=40	7762-1020	3	3	3	3	3	3	3	3	3	
54	CABLE TIE	CV-200	7920-0010	11	11	11	11	11	11	11	11	11	
55	EXP. VALVE COVER (A)	PE FOAM	324214-01	3	3	3	3	3	3	3	3	3	
56	EXP. VALVE COVER (B)	PE FOAM	324214-02	3	3	3	3	3	3	3	3	3	
57	THERMISTOR	-	429006-03	1	1	1	1	1	1	1	1	1	
58	HOLDER - THERMISTOR	COPPER	438247-01	1	1	1	1	1	1	1	1	1	
59	INSULATION - THERMISTOR	PE FOAM	427441-01	1	1	1	1	1	1	1	1	1	
60	RUBBER INSULATION (A)	EPDM	325864-01	1	1	1	1	1	1	1	1	1	
61	RUBBER INSULATION (B)	EPDM	325865-01	1	1	1	1	1	1	1	1	1	
62	INSULATION HOLDER	SS	325863-01	1	1	1	1	1	1	1	1	1	
63	HEADER COVER (B1)	PE FOAM	325862-01	1	1	1	1	1	1	1	1	1	
64	HEADER COVER (B2)	PE FOAM	325862-02	1	1	1	1	1	1	1	1	1	
65	INSULATION	PE FOAM	436671-02	1	1	1	1	1	1	1	1	1	
66	BUSHING	OCB-500	428394-02	1	1	1	1	1	1	1	1	1	
67	INSULATION TUBE	L=105	7762-1630	1	1	1	1	1	1	1	1	1	
68	TERMINAL GASKET	-	334084-01	1	1	1	1	1	1	1	1	1	
69	COUPLING	COPPER	434136G01	1	1	1	1	1	1	1	1	1	
70	TUBE HOLDER (L)	GS	438245-01	1	1	1	1	1	1	1	1	1	
71	COUPLING	COPPER	433751G01	1	1	1	1	1	1	1	1	1	
72	TUBE HOLDER (S)	GS	438246-01	1	1	1	1	1	1	1	1	1	
73	COPPER TUBE (B) - HIGH SIDE	COPPER	445178G01	1	1	1	1	1	1	1	1	1	
74	COPPER TUBE (D) - HIGH SIDE	COPPER	331009G01	1	1	1	1	1	1	1	1	1	
75	COPPER TUBE (E) - HIGH SIDE	COPPER	332463-01	1	1	1	1	1	1	1	1	1	
76	COPPER TUBE (F) - HIGH SIDE	COPPER	220443G01	1	1	1	1	1	1	1	1	1	
77	HEADER COVER (A1)	PE FOAM	325861-01	1	1	1	1	1	1	1	1	1	
78	HEADER COVER (A2)	PE FOAM	325861-02	1	1	1	1	1	1	1	1	1	
79	INSULATION TUBE	L=150	7762-3555	1	1	1	1	1	1	1	1	1	

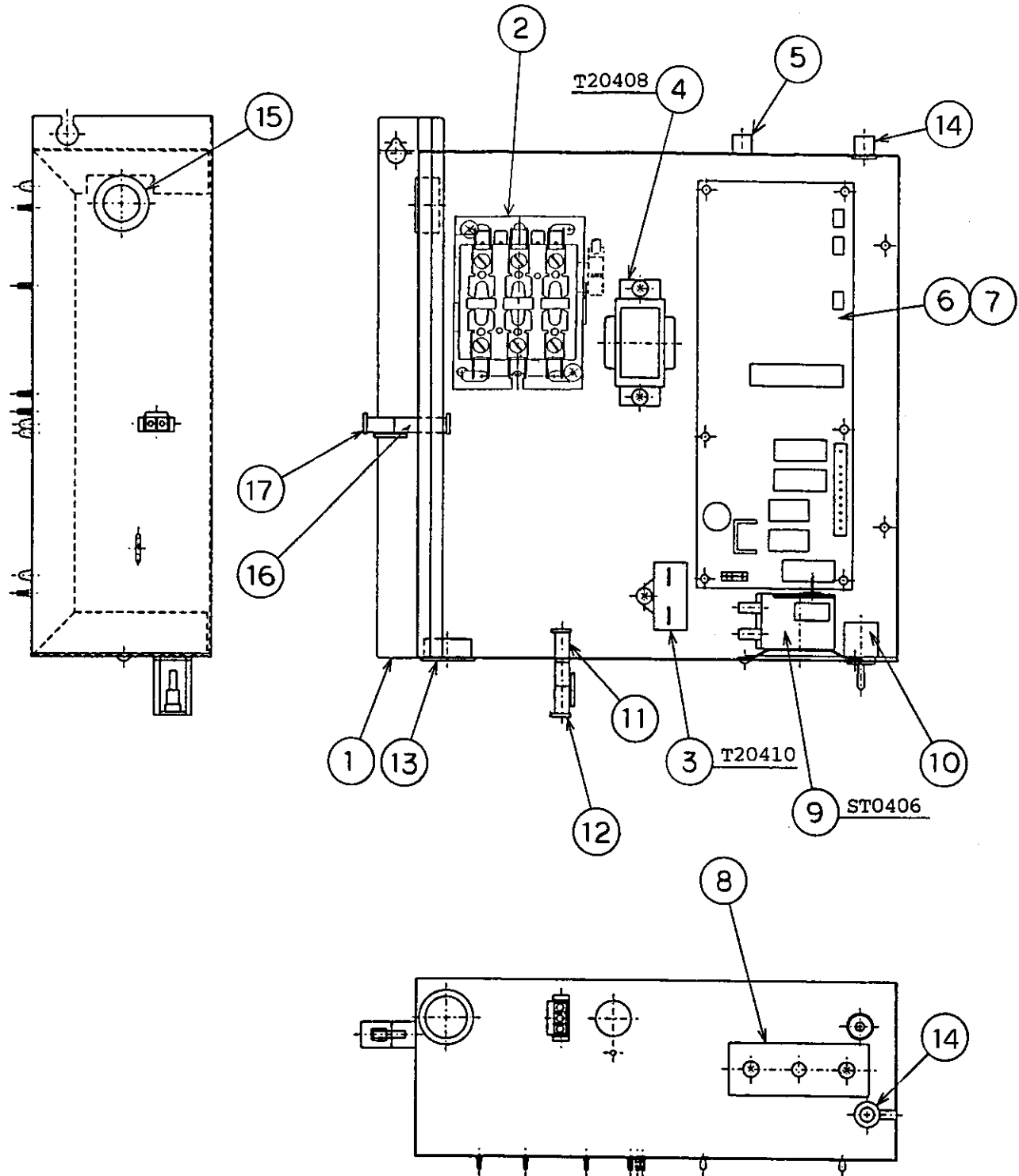




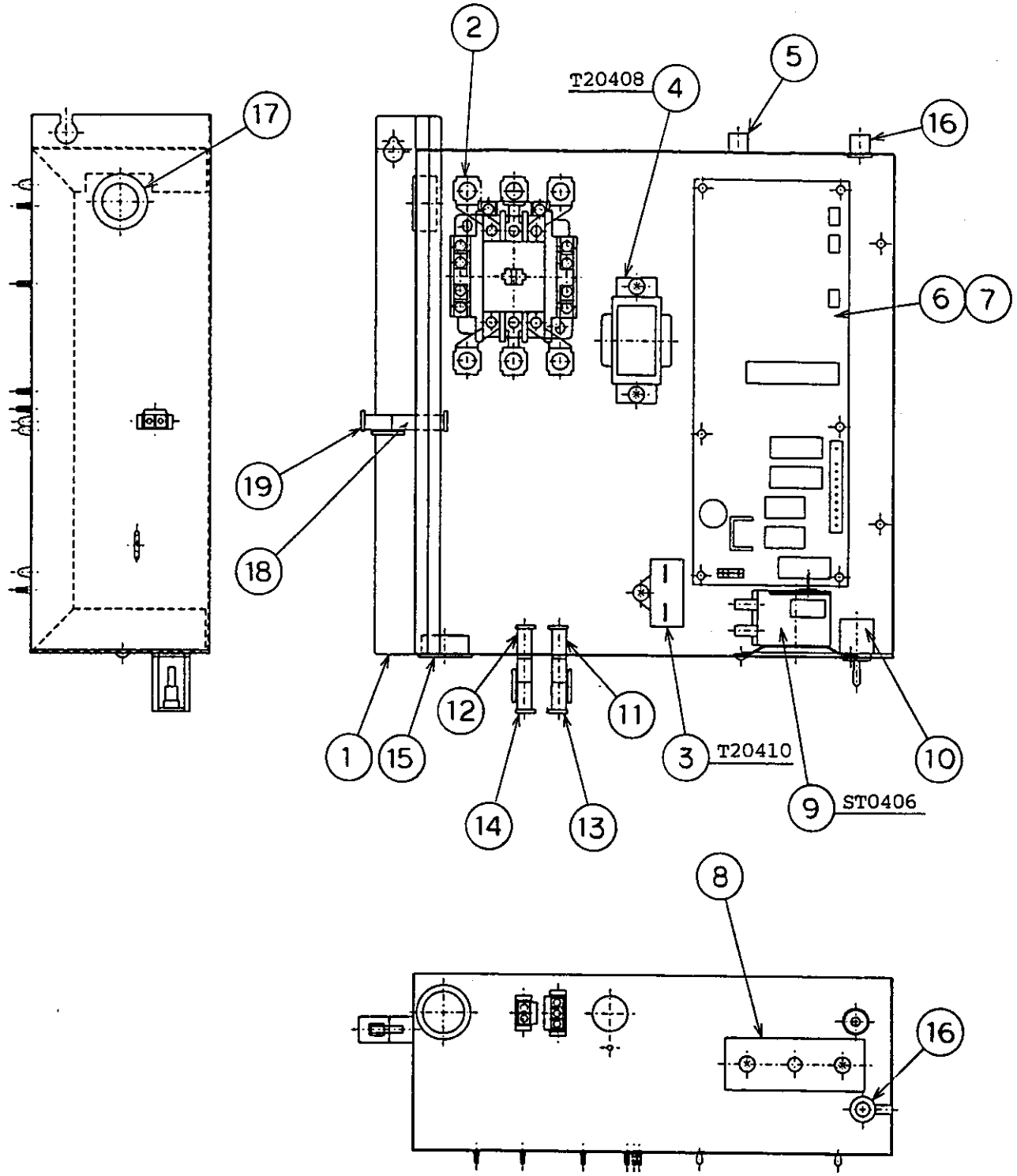
MODEL: KM-2000SWE3, SRE3 TITLE: C. WATER CIRCUIT														
INDEX NO.	DESCRIPTION	MATERIAL OR MODEL	PART NUMBER	REQUIRED NUMBER										
				D-0	E-0 (SRE3 ONLY)	E-1	F-1	F-2	G-0	G-1	H-0			
H	PUMP MOTOR ASSEMBLY	(S-0730)	215692A01	1	1	1	1	1	1	1	1	1		
1	CORNER INSULATION (A)	PE FOAM	439376-01	1	1	1	1	1	1	1	1	1		
2	CORNER INSULATION (B)	PE FOAM	439392-01	1	1	1	1	1	1	1	1	1		
3	WATER SUPPLY PIPE	COPPER	4A0207G03	1	1	-								
		COPPER	4A0768G03			1	1	1	1	1	1	1		
4	RUBBER GASKET	NR	413854-01	1	1	-								
		SI.R	413854-03			1	1	1	1	1	1	1		
5	WATER VALVE BRACKET	GS	321443-01	1	1	1	1	1	1	1	1	1		
6	WATER VALVE	J248-106	3U0136-01	1	1	1	1	1	1	1	1	1		
7	DISTRIBUTOR HOSE (A)	EPDM	325738-01	1	1	1	1	1	1	1	1	1		
8	JOINT PIPE	ABS	439297-01	1	1	1	1	1	1	1	1	1		
9	DISTRIBUTOR HOSE (B)	EPDM	325738-02	1	1	1	1	1	1	1	1	1		
10	HOSE CLAMP	SS, 32MM	427443-09	4	4	4	4	4	4	4	4	4		
11	HOSE CLAMP	SS, 13.5MM	427443-07	6	6	6	6	6	6	6	6	6		
12	SPRAY TUBE	ABS	437049G01	6	6	6	6	6	6	6	6	6		
13	SPRAY GUIDE (A)	PE	208586-01	18	18	18	18	18	18	18	18	18		
14	SEPARATOR (A)	ABS	215046-01	2	2	2	2	2	2	2	2	2		
15	SEPARATOR (B)	SS	2A0100-01	2	2	2	2	2	2	2	2	2		
16	CUBE GUIDE	ABS	214243-01	2	2	2	2	2	2	2	2	2		
17	HOSE (A)	EPDM	435091-01	1	1	1	1	1	1	1	1	1		
18	DISTRIBUTOR (A)	ABS	439266-01	1	1	1	1	1	1	1	1	1		
19	FLOAT SWITCH STOP	SS	4A0137-01	1	1	1	1	1	1	1	1	1		
20	DISTRIBUTOR HOSE (C)	EPDM	325739-01	2	2	2	2	2	2	2	2	2		
21	HOSE CLAMP	SS, 25MM	427443-03	9	9	9	9	9	9	9	9	9		
22	HOSE (B)	EPDM	325867-01	1	1	1	1	1	1	1	1	1		
23	VALVE HOUSING - DRAIN	ABS	323613-01	1	1	1	1	1	1	1	1	1		
24	SPRING	SS	322685-01	1	1	1	1	x1						
		SS	322110-01					o1	1	1	1			
25	VALVE SHEET	EPDM	433705-01	1	1	1	1	1	1	1	1	1		
26	OVERFLOW CAP	PE	325866-01	1	1	1	1	1	1	1	1	1		

MODEL: KM-2000SWE3, SRE3 TITLE: C. WATER CIRCUIT														
INDEX NO.	DESCRIPTION	MATERIAL OR MODEL	PART NUMBER	REQUIRED NUMBER										
				D-0	E-0 (SRE3 ONLY)	E-1	F-1	F-2	G-0	G-1	H-0			
27	JOINT - OVERFLOW	ABS	323923-02	1	1	1	1	1	1	1	1	1		
28	BUSHING	SB-1093-15	420470-03	2	2	2	2	2	2	2	2	2		
29	VALVE HOLDER	GS	325825-01	1	1	1	1	1	1	1	1	1		
30	MICRO SWITCH	V3L-111-08	4A0365-01	1	1	1	1	1	1	1	1	1		
31	TAPPING SCREW	3x14	431415-02	2	2	2	2	2	2	2	2	2		
32	FLOAT SWITCH BRACKET	SS	325846-01	1	1	-								
		SS	3A0449-01			1	1	1	1	1	1	1		
33	CONNECTOR - FLOAT SWITCH	EPDM	426799-04	1	1	1	1	1	1	1	1	1		
34	FLOAT SWITCH	FS-0893B-1	433535-02	1	1	1	x1							
		163795	4A0886-01				o1	1	1	1	1	1		
35	JOINT HOSE	EPDM	439309-01	1	1	1	1	1	1	1	1	1		
36	CLAMP	NO.4253	427902-05	1	1	1	1	1	1	1	1	1		
37	HANDLE	JH1352	215383-01	1	1	1	1	1	1	1	1	1		
38	"O" RING	1AP18	7611-P018	1	1	1	1	1	1	1	1	1		
39	"O" RING	1AG35	7611-G035	1	1	1	1	1	1	1	1	1		
40	DRAIN HOSE	EPDM	325869-01	1	1	1	1	1	1	1	1	1		
41	DRAIN	AC	309246-01	1	1	1	1	1	1	1	1	1		
42	"O" RING	1AP15	7611-P015	1	1	1	1	1	1	1	1	1		
43	BYPASS HOSE	EPDM	439237-02	1	1	1	1	1	1	1	1	1		
44	DISTRIBUTOR (C)	ABS	439238-01	1	1	1	1	1	1	1	1	1		
45	JOINT HOSE	EPDM	439296-01	1	1	1	1	1	1	1	1	1		
46	DISTRIBUTOR (B)	ABS	439239-01	1	1	1	1	1	1	1	1	1		
47	FLANGE	EPDM	439267-02	1	1	1	1	1	1	1	1	1		
48	BALL VALVE	PVC	439293-01	1	1	1	1	1	1	1	1	1		
49	MALE ADAPTOR	ABS	325826-01	2	2	2	2	2	2	2	2	2		
50	"O" RING	1AP20	7611-P020	2	2	2	2	2	2	2	2	2		
51	VINYL HOSE	L=230	7716-2732	1	1	1	1	1	1	1	1	1		
52	VINYL HOSE	L=550	7716-2732	1	1	1	1	1	1	1	1	1		

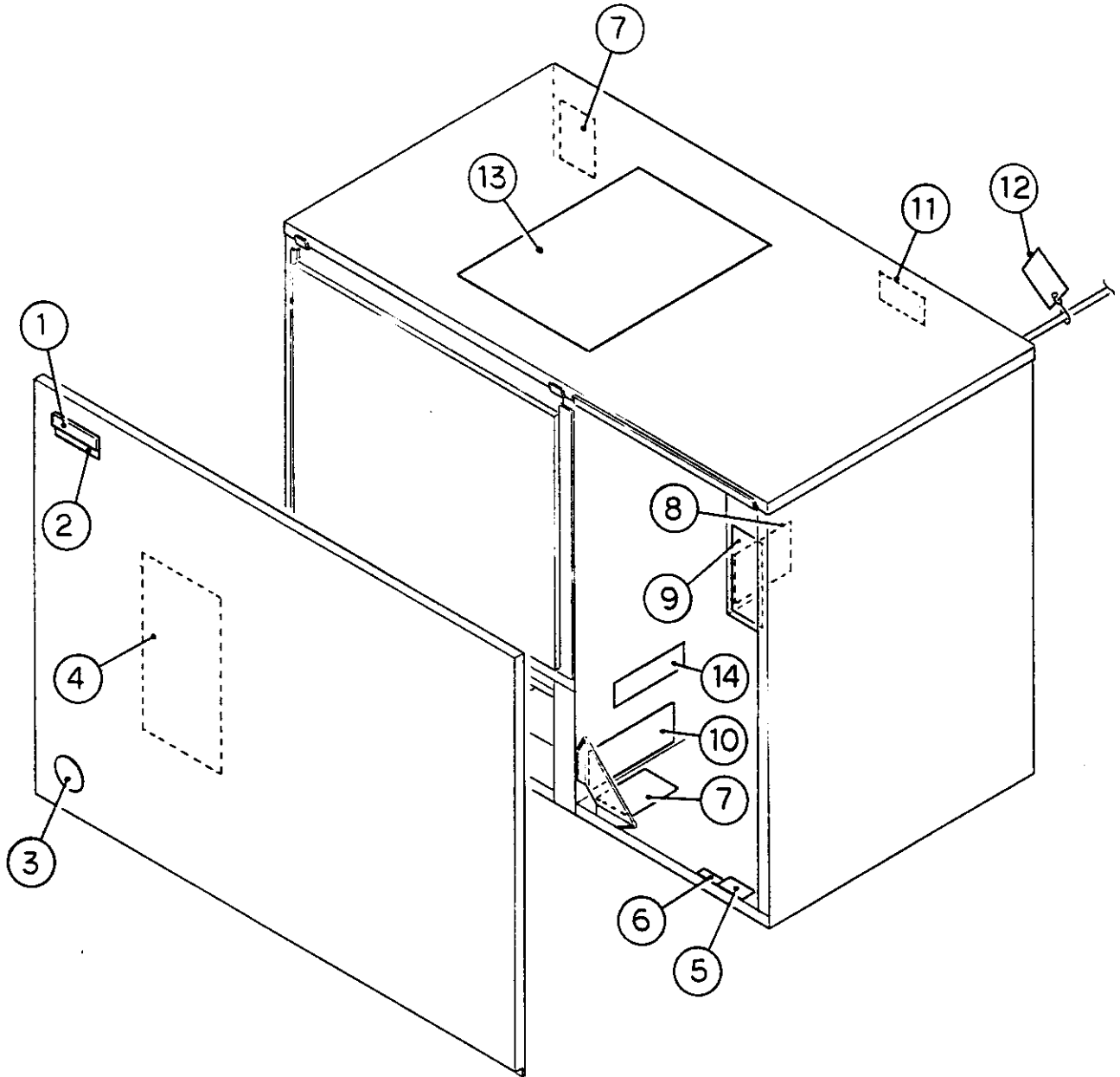




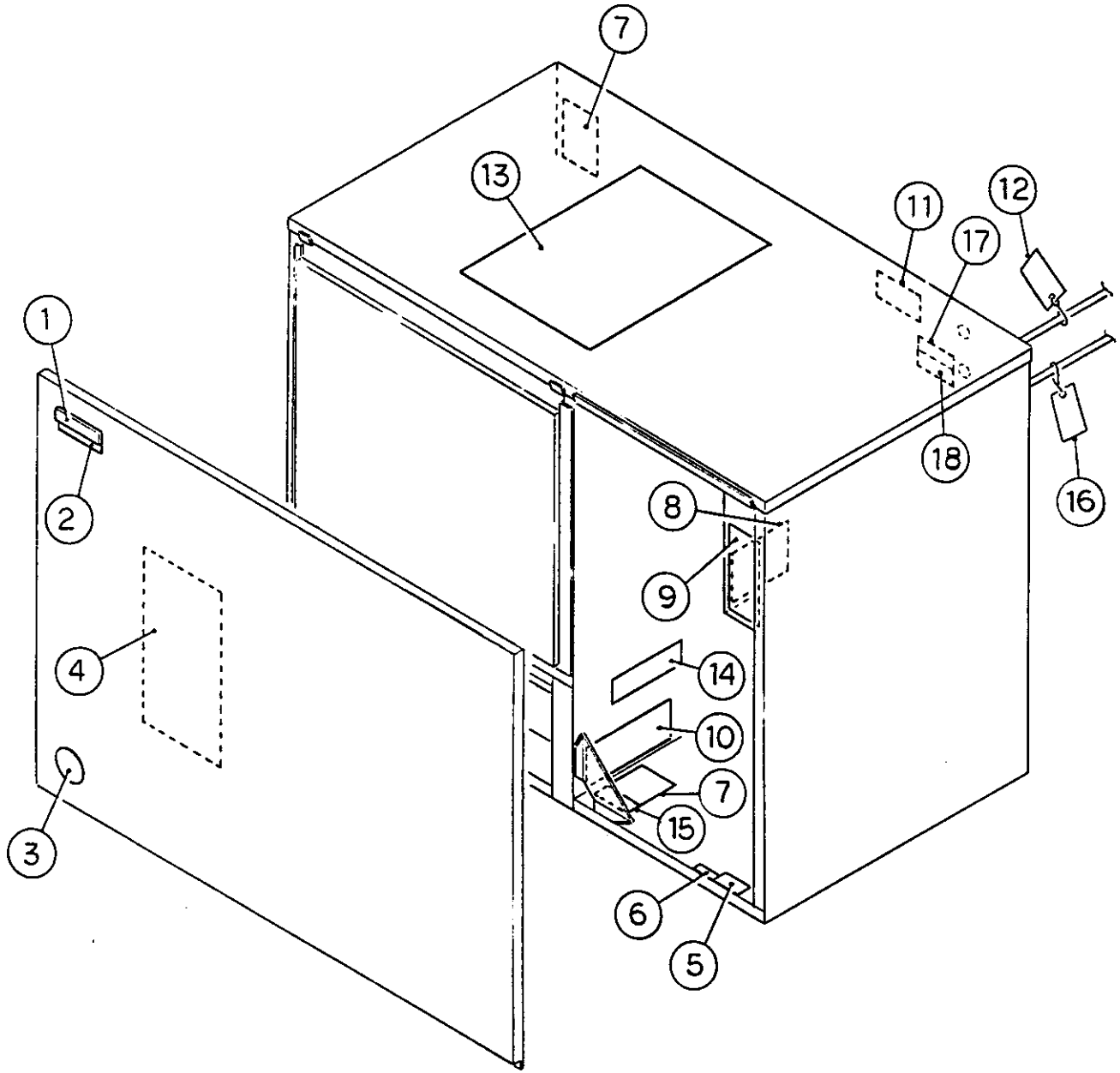
MODEL: KM-2000SWE3 TITLE: D. CONTROL BOX ASSEMBLY													
INDEX NO.	DESCRIPTION	MATERIAL OR MODEL	PART NUMBER	REQUIRED NUMBER									
				D-0	E-1	F-1	F-2	G-0	G-1	H-0			
1	CONTROL BOX	GS	2A0121G04	1	1	1	1	1	1	1			
2	MAGNETIC CONTACTOR	C-25E	438215-01	1	1	1	-						
		A77-309040A-226	4A0794-01				1	1	1	1			
3	CAPACITOR	250V. AC, 10MFD	443192-01	1	1	1	1	1	1	1			
4	TRANSFORMER	26D285H	3A0172-01	1	1	1	1	1	1	1			
5	BUSHING	OCB-875	428394-04	1	1	1	1	1	1	1			
6	CONTROLLER BOARD	MY9KM910	2U0127-01	1	1	1	1	1	1	1			
7	BOARD SUPPORT	CBLS37-M	4A0336-03	6	6	6	6	6	6	6			
8	CONTROL LABEL	PES FILM	434934-01	1	1	1	1	1	1	1			
9	THERMOSTAT	A30-3842-00	439678-02	1	x1								
		A30-3842-00	4A0738-02		o1	x1							
		A30-3842-00	4A0824-02			o1	1	1	1	1			
10	TOGGLE SWITCH	8966K84	443119-01	1	1	1	1	1	1	1			
11	3P PLUG HOUSING	3191-03P	412832-06	1	1	1	1	1	1	1			
12	3P RECEPTACLE HOUSING	3191-03R1	412831-06	1	1	1	1	1	1	1			
13	BUSHING	SB-1093-15	420470-03	1	1	1	1	1	1	1			
14	BUSHING	OCB-500	428394-02	2	2	2	2	2	2	2			
15	BUSHING	SB-1093-13	420470-12	1	1	1	1	1	1	1			
16	2P PLUG HOUSING	3190-02P (RED)	412832-09	1	1	1	1	1	1	1			
17	2P RECEPTACLE HOUSING	3191-02R1 (RED)	412831-09	1	1	1	1	1	1	1			

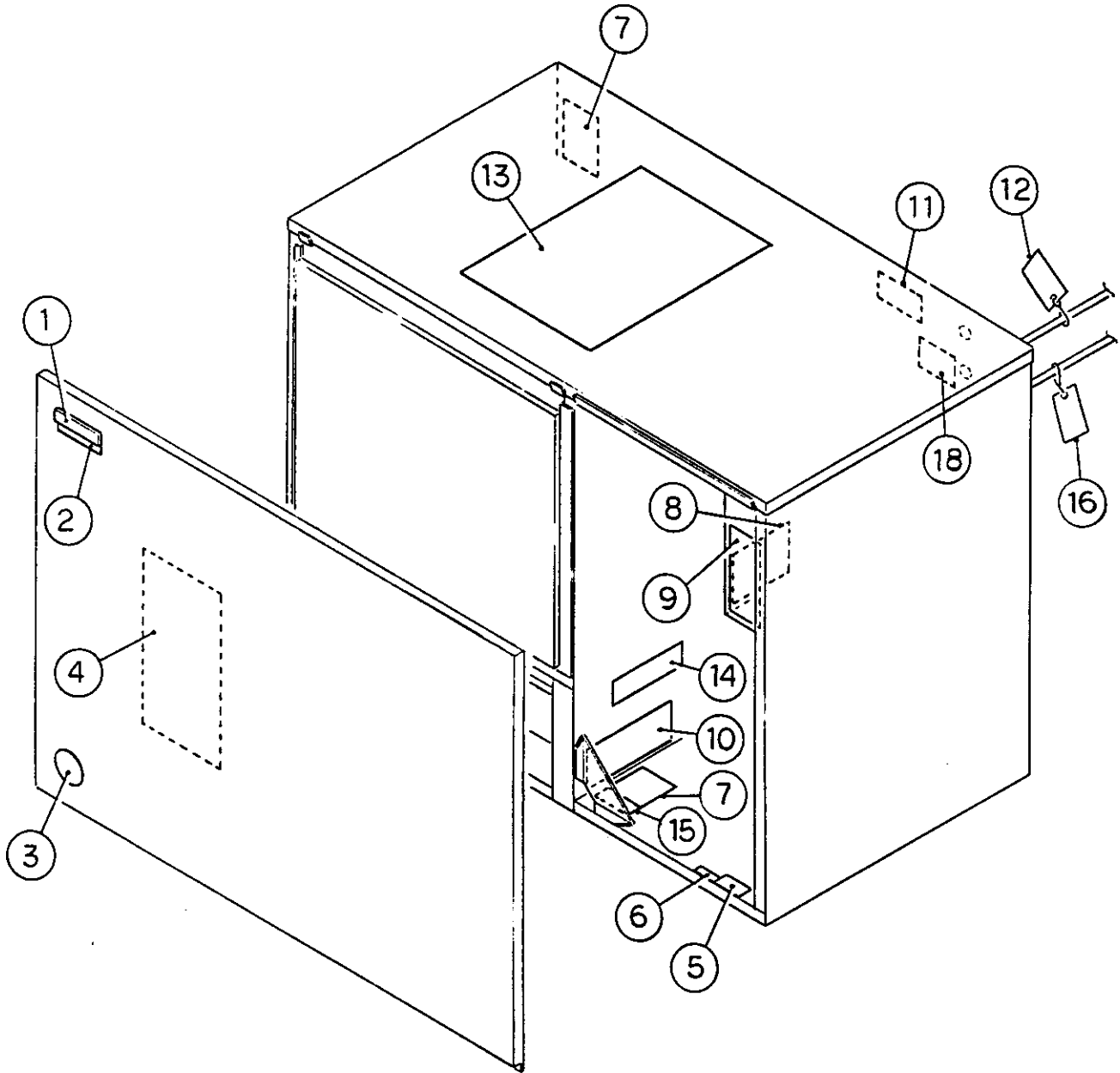


MODEL: KM-2000SRE3 TITLE: D. CONTROL BOX ASSEMBLY													
INDEX NO.	DESCRIPTION	MATERIAL OR MODEL	PART NUMBER	REQUIRED NUMBER									
				D-0	E-0	E-1	F-0	F-1	G-0	G-1	H-0		
1	MAGNETIC CONTACTOR	C-25E	438215-01	1	1	1	1	-					
		A77-309040A-226	4A0794-01					1	1	1	1		
2	CAPACITOR	250V, 10MFD	443192-01	1	1	1	1	1	1	1	1	1	
3	TRANSFORMER	26D285H	3A0172-01	1	1	1	1	1	1	1	1	1	
4	CONTROLLER BOARD	MY9KM910	2U0127-01	1	1	1	1	1	1	1	1	1	
5	BOARD SUPPORT	CBLS37-M	4A0336-03	6	6	6	6	6	6	6	6	6	
6	CONTROL LABEL	PES FILM	434934-01	1	1	1	1	1	1	1	1	1	
7	THERMOSTAT	A30-3842-00	439678-02	1	x1								
		A30-3842-00	4A0738-02		o1	1	x1						
		A30-3842-00	4A0824-02				o1	1	1	1	1		
8	TOGGLE SWITCH	8966K84	443119-01	1	1	1	1	1	1	1	1	1	
9	3P PLUG HOUSING	3191-03P	412832-06	1	1	1	1	1	1	1	1	1	
10	2P PLUG HOUSING	3191-02P	412832-07	1	1	1	1	1	1	1	1	1	
11	2P PLUG HOUSING	3190-02P (RED)	412832-09	1	1	1	1	1	1	1	1	1	
12	3P RECEPTACLE HOUSING	3191-03R1	412831-06	1	1	1	1	1	1	1	1	1	
13	2P RECEPTACLE HOUSING	3191-02R1	412831-07	1	1	1	1	1	1	1	1	1	
14	2P RECEPTACLE HOUSING	3191-02R1 (RED)	412831-09	1	1	1	1	1	1	1	1	1	
15	BUSHING	SB-1093-15	420470-03	1	1	1	1	1	1	1	1	1	
16	BUSHING	SB-1093-13	420470-12	1	1	1	1	1	1	1	1	1	
17	BUSHING	OCB-500	428394-02	2	2	2	2	2	2	2	2	2	
18	CONTROL BOX	GS	2A0121G05	1	1	1	1	1	1	1	1	1	
19	BUSHING	OCB-875	428394-04	1	1	1	1	1	1	1	1	1	
20	RELAY	LY2F, AC120V	406132-07	1	1	1	1	1	1	1	1	1	
21	TAPPING SCREW	3 x 8 STEEL	431415-01	2	2	2	2	2	2	2	2	2	



MODEL: KM-2000SWE3 TITLE: E. LABEL LOCATION													
INDEX NO.	DESCRIPTION	MATERIAL OR MODEL	PART NUMBER	REQUIRED NUMBER									
				D-0	E-1	F-1	F-2	G-0	G-1	H-0			
1	EMBLEM (L) - HOSHIZAKI	ABS	418634G01	1	1	1	x1						
	EMBLEM	ABS	4A0560-01				o1	1	1	1			
2	MODEL NUMBER LABEL	PETP FILM	443341-13	1	1	1	1	1	1	1			
3	LABEL - PENGUIN (R)	PETP FILM	410994-01	1	1	1	x1						
		PETP FILM	4A0526-01				o1	1	1	1			
4	MAINTENANCE LABEL	PVC FILM	326275-01	1	1	1	1	1	1	1			
5	WARNING LABEL - DANGER	PVC FILM	425322-01	1	1	1	1	1	1	1			
6	LABEL - R22	PES FILM	440362-01	1	1	1	1	1	1	1			
7	NAMEPLATE	PES FILM	445191-01	2	2	2	2	2	2	2			
8	WIRING LABEL	PVC FILM	332437-01	1	1	1	-						
		PVC FILM	3A0488-01				1	1	1	1			
9	MANUAL LABEL	PVC FILM	324476-01	1	1	1	1	1	1	1			
10	MANUAL LABEL - BIN CONTROL	PVC FILM	326255-01	1	1	1	1	1	1	1			
11	INSTRUCTION LABEL	PVC FILM	444575-01	1	1	1	1	1	1	1			
12	TAG - WARNING: ELECTRICAL CONNECTION	PAPER	438479-01	1	1	1	1	1	1	1			
13	INSTRUCTION SHEET	PAPER	218058-01	1	1	1	-						
		PAPER	2A0707-01				1	1	1	1			
14	OPERATION LABEL - VALVE	PVC FILM	439541-01	1	1	1	1	1	1	1			





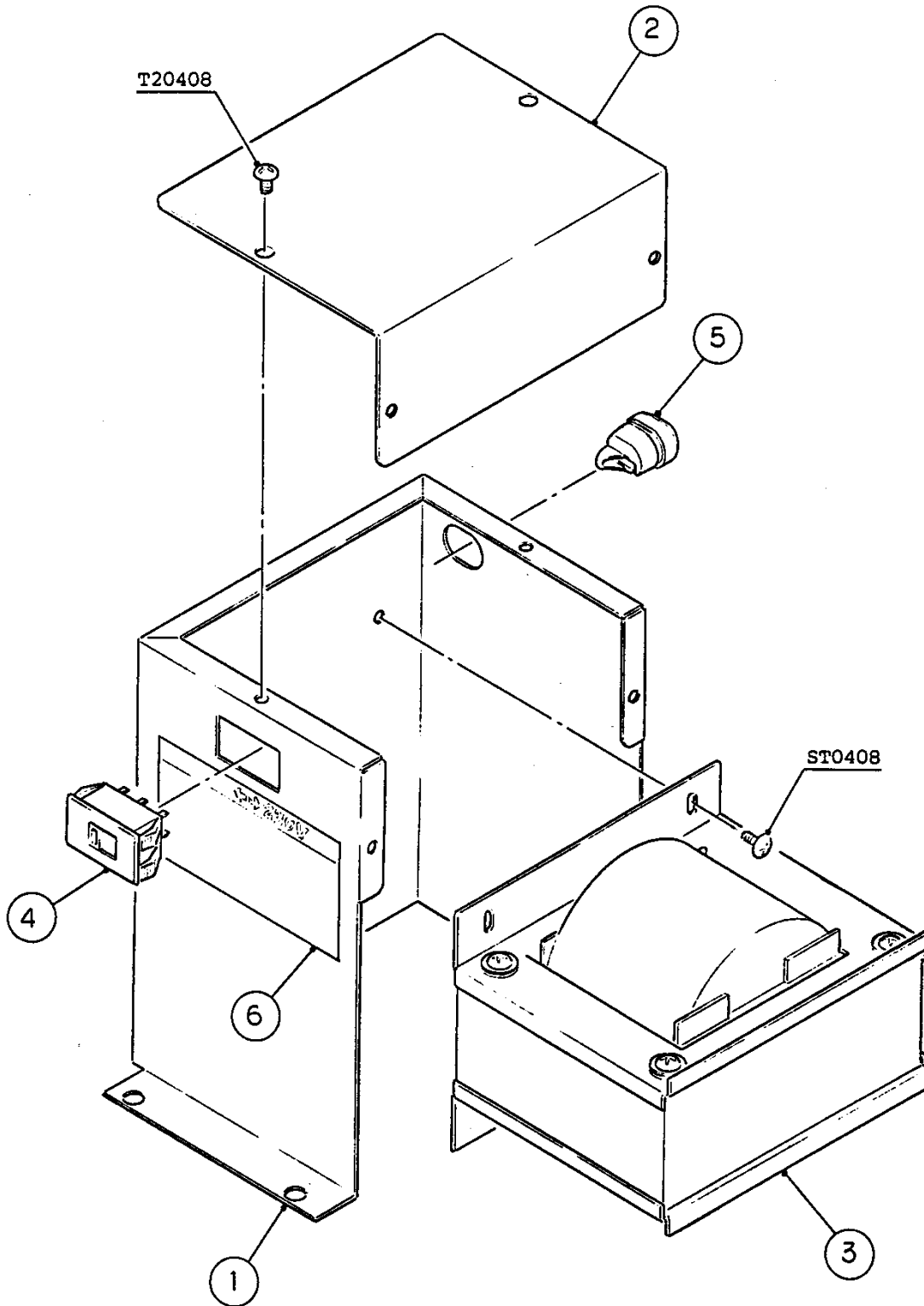
MODEL: KM-2000SRE3 TITLE: E. LABEL LOCATION													
INDEX NO.	DESCRIPTION	MATERIAL OR MODEL	PART NUMBER	REQUIRED NUMBER									
				D-0	E-0	E-1	F-1	F-2	G-0	G-1	H-0		
1	EMBLEM (L) - HOSHIZAKI	ABS	418634G01	1	1	1	1	x1					
	EMBLEM	ABS	4A0560-01					o1	1	1	1		
2	MODEL NUMBER LABEL	PETP FILM	443341-14	1	1	1	1	1	1	1	1		
3	LABEL - PENGUIN (R)	PETP FILM	410994-01	1	1	1	1	x1					
		PETP FILM	4A0526-01					o1	1	1	1		
4	MAINTENANCE LABEL	PVC FILM	326275-01	1	1	1	1	1	1	1	1		
5	WARNING LABEL - DANGER	PVC FILM	425322-01	1	1	1	1	1	1	1	1		
6	LABEL - R22	PES FILM	440362-01	1	1	1	1	1	1	1	1		
7	NAMEPLATE	PES FILM	445192-01	2	2	2	2	2	2	2	2		
8	WIRING LABEL	PVC FILM	332437-01	1	1	1	1	-					
		PVC FILM	3A0488-01					1	1	1	1		
9	MANUAL LABEL	PVC FILM	324476-01	1	1	1	1	1	1	1	1		
10	MANUAL LABEL - BIN CONTROL	PVC FILM	326255-01	1	1	1	1	1	1	1	1		
11	INSTRUCTION LABEL	PVC FILM	444575-01	1	1	1	1	1	1	1	1		
12	TAG - WARNING: ELECTRICAL CONNECTION	PAPER	438479-01	1	1	1	1	1	1	1	1		
13	INSTRUCTION SHEET	PAPER	218058-01	1	1	1	1	x1					
		PAPER	2A0707-01					o1	1	1	1		
14	OPERATION LABEL - VALVE	PVC FILM	439541-01	1	1	1	1	1	1	1	1		
15	LABEL - CHARGE	PES FILM	443221-05	1	1	1	1	1	1	1	1		
16	TAG - FAN MOTOR LEADS	PAPER	420742-01	x1									
		PAPER	4A0647-01	o1	1	1	1	1	1	1	1		
17	LABEL - CONNECTION	PVC FILM	438234-01	-									
18	CAUTION LABEL	PVC FILM	441890-01	1	1	1	1	1	1	1	1		

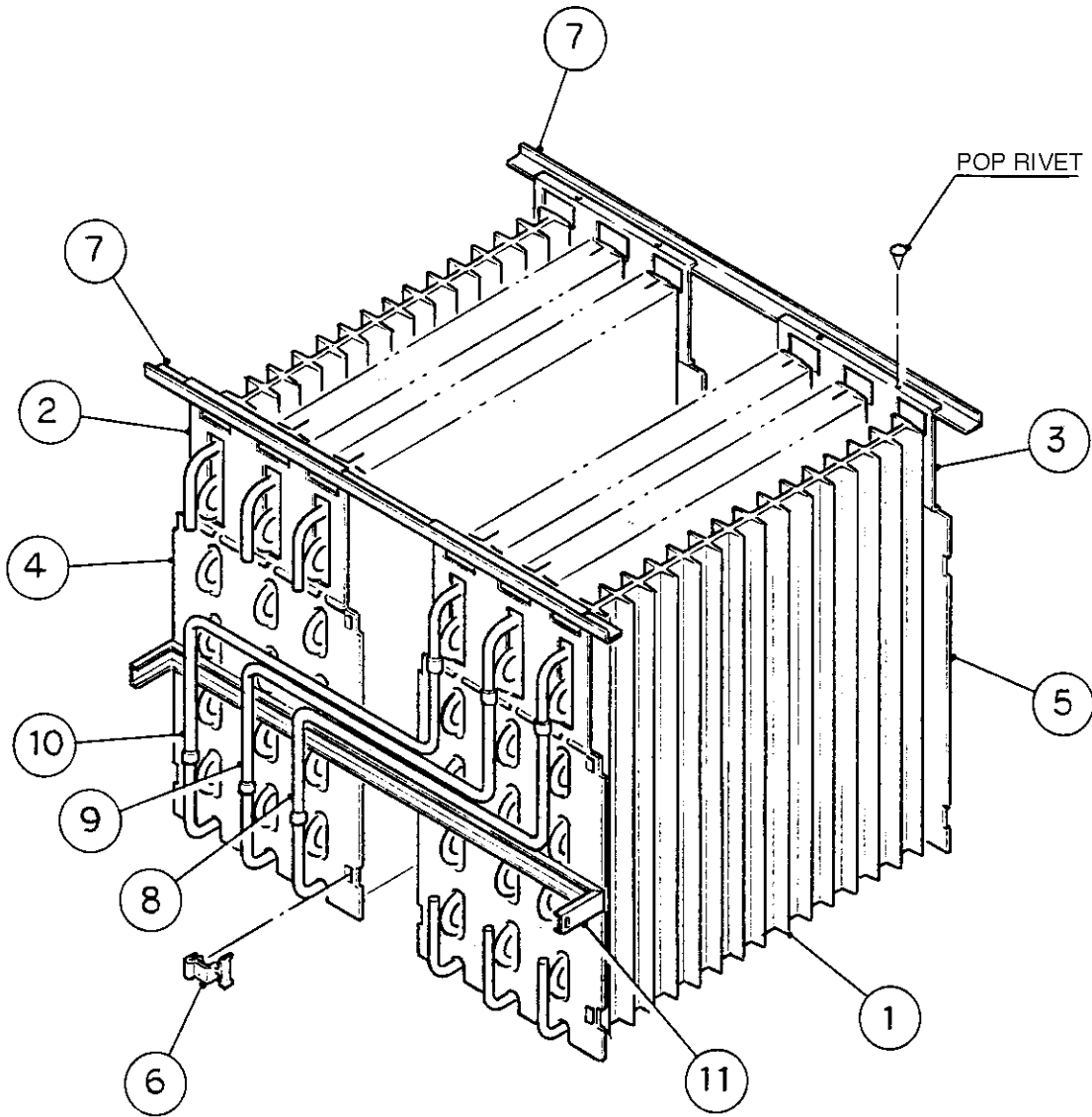
HA

KM-2000SWE3, SRE3

F. TRANSFORMER BOX ASSEMBLY

D-0, E-0, E-1, F-1,
F-2, G-0, G-1, H-0





HA

KM-2000SWE3, SRE3 H. PUMP MOTOR ASSEMBLY D-0, E-0, E-1, F-1, F-2, G-0, G-1, H-0

