

WIRE COLOR CODE
 BR - BROWN
 W - WHITE
 BK - BLACK
 R - RED
 O - ORANGE
 GY - GRAY
 P - PINK
 DBu - DARK BLUE
 V - VIOLET
 Y - YELLOW

START CAP
 378-445MFD

ONLY AIR COOLED MODEL

ONLY WATER COOLED MODEL

CONTROLLER BOARD

THERMISTOR

BIN CONTROL

FLOAT SW.

MOTOR PROTECTOR

MAGNETIC CONTACTOR

COMP.

STARTER

PUMP

FAN

LINE VALVE (R)

HOT GAS VALVE (R)

INTER LOCK SW.

TRANSFORMER

CONTROL SW.

HI-PRESS.

WATER VALVE

K3

K4

K5

K1

K2

BR

V

KC3

KC2

KC1

KE2

KD2

BR

BR

KA3

BK

BK

P

KB2

KB1

BK

(BR)

115-120/60/1

L BR

N W

(BK)

R

V

S

C

R

R

A

B

O

DBu

5.5MFD

5MFD

15.8K Ω

15.8K Ω

1

2

3

1

2

3

1

2

3

10

9

8

7

6

5

4

3

2

1

1

2

3

1

2

3

1

2

3

10

9

8

7

6

5

4

3

2

1

1

2

3

1

2

3

1

2

3

10

9

8

7

6

5

4

3

2

1

1

2

3

1

2

3

1

2

3

10

9

8

7

6

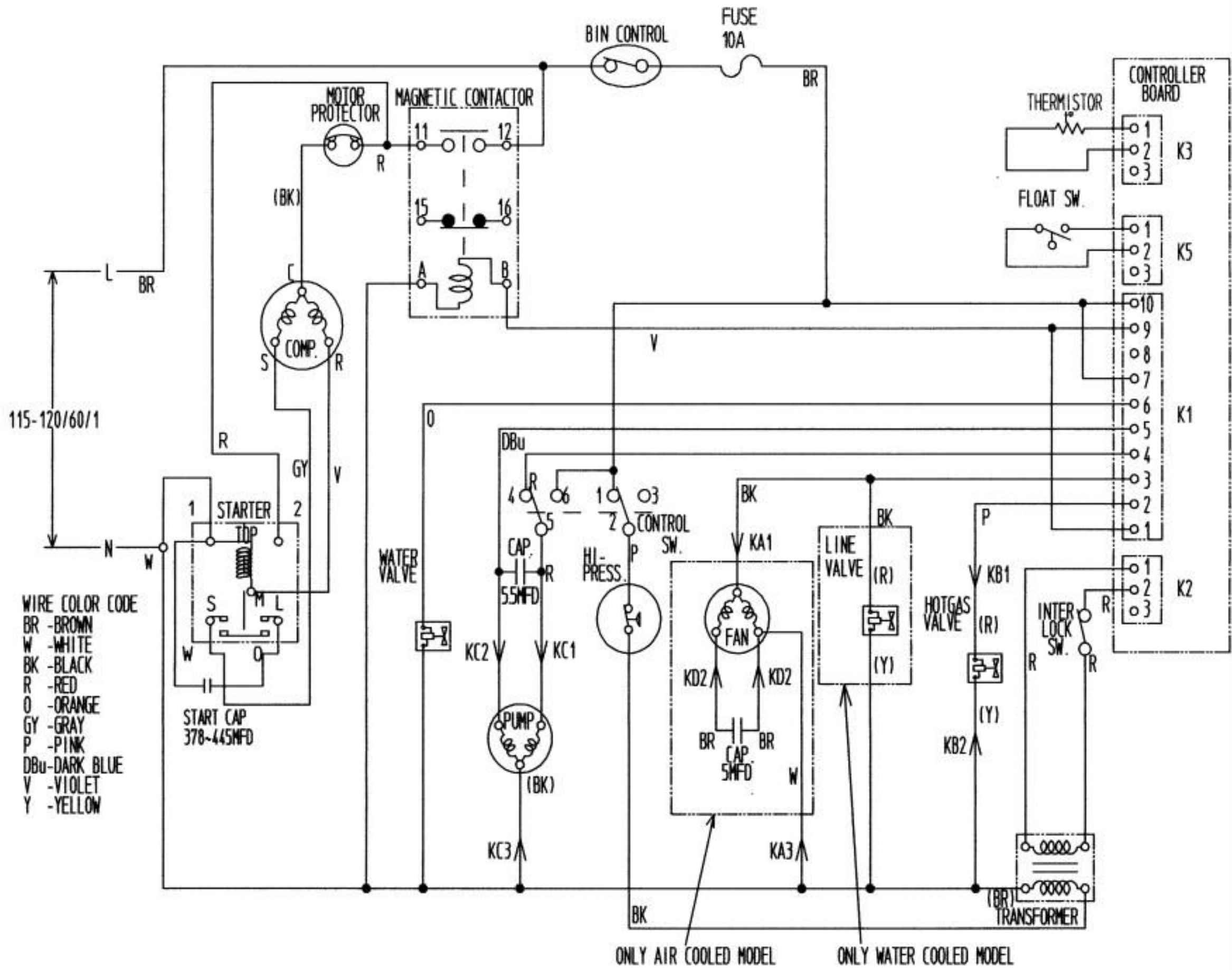
5

4

3

2

1



115-120/60/1

- WIRE COLOR CODE
 BR - BROWN
 W - WHITE
 BK - BLACK
 R - RED
 O - ORANGE
 GY - GRAY
 P - PINK
 DBu - DARK BLUE
 V - VIOLET
 Y - YELLOW

START CAP
 378-445MFD

ONLY AIR COOLED MODEL

ONLY WATER COOLED MODEL