



CE 89/336
73/23

NUMBER: 71210

ISSUED: July 5, 2002

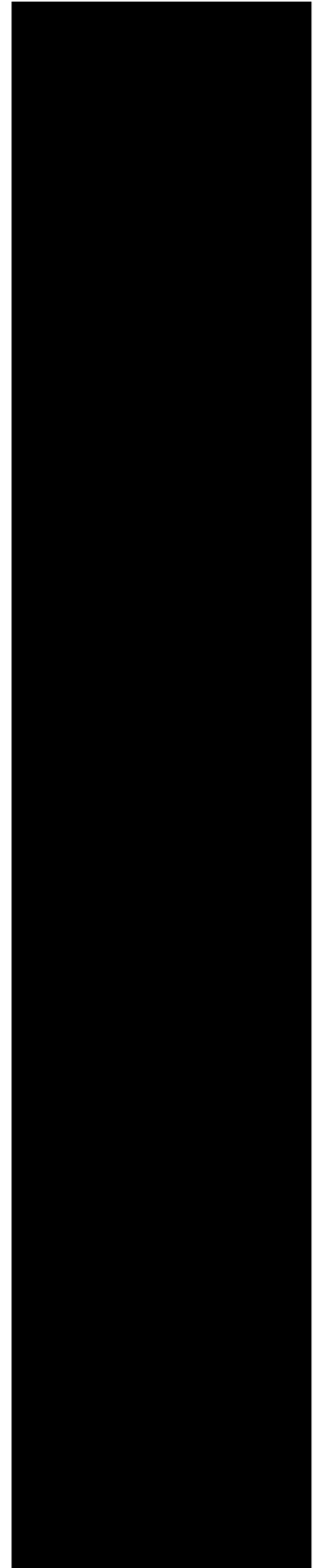
REVISED: December 6, 2004

MODULAR CRESCENT CUBER

KM-500MAH-E

PARTS LIST

HOSHIZAKI



CONTENTS

Auxiliary Codes	3
Material Abbreviations	4
A. Ice Cuber Assembly	5
B. Refrigeration Circuit	9
C. Water Circuit	12
D. Control Box Assembly	14
E. Label Location	17
F. Pump Motor Assembly	20
G. Control Assembly	22
H. Accessories	24

Auxiliary Codes

KM-500MAH-E	L-0	July 2001
	M-0	January 2002
	M-1	March 2002
	M-2	October 2002
	N-0	January 2003
	N-1	April 2003
	P-0	December 2003
	P-1	June 2004

IMPORTANT

IEC standards require that the clamping means of earthing terminals be adequately secured against accidental loosening and that accessible metal parts of the icemaker which may become live in the event of an insulation fault be permanently and reliably connected to an earthing terminal within the icemaker or to the earthing contact of the icemaker inlet.

This is accomplished in this icemaker through the use of stainless steel toothed washers, Hoshizaki Part # [7R22-0400](#).

Material Abbreviations

Aluminum

AL = Aluminum

Copper

CU = Copper

Plastic

ABS = Acrylonitrile -butadiene - styrene
AC = Polyacetal
EVA = Ethylene vinyl acetate
PA = Polyamide = Nylon
PC = Polycarbonate
PE = Polyethylene
PES = Polyester
PETP = Polyethylene terephthalate = Tetlon
PP = Polypropylene
PS = Polystyrene
PTFE = Polytetrafluoroethylene = Teflon
PUR = Polyurethane
PVC = Polyvinyl chloride

Rubber

VN = Vinyl Nitrile
EPDM = EP rubber
NBR = Nitrile butadiene rubber
NR = Natural rubber
NP = Neoprene
SI.R = Silicone rubber
SY.R = Synthetic rubber
EPH = Epichlorohydrin

Steel

GS = Galvanized steel
SS = Stainless steel
PS = Plated steel
PAS = Primed steel

Auxiliary Code

K-0

┌┌ Designates the year. "K" indicates the year 2000. Years progress or regress in alphabetical order.
└└ "J" is 1999, "L" is 2001, "M" is 2002, and so on. The letters "I" and "O" were skipped.
└└ Designates significant part changes within the same year. Base is 0 and this number advances for each change.

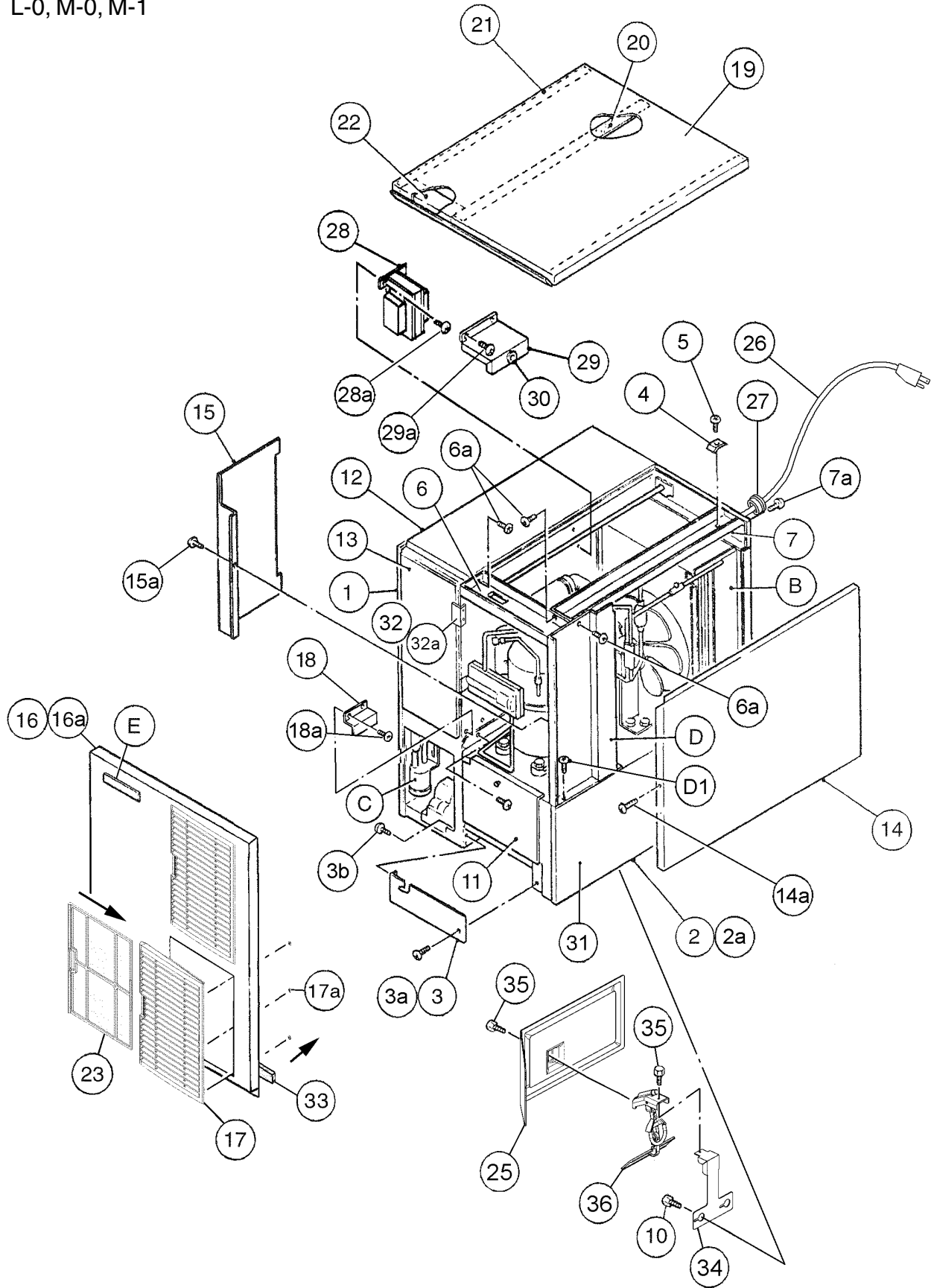
Example: P-1

┌┌ "P" indicates 2004.
└└ "1" indicates the first significant part change for 2004.

Marks Located Under the Auxiliary Code

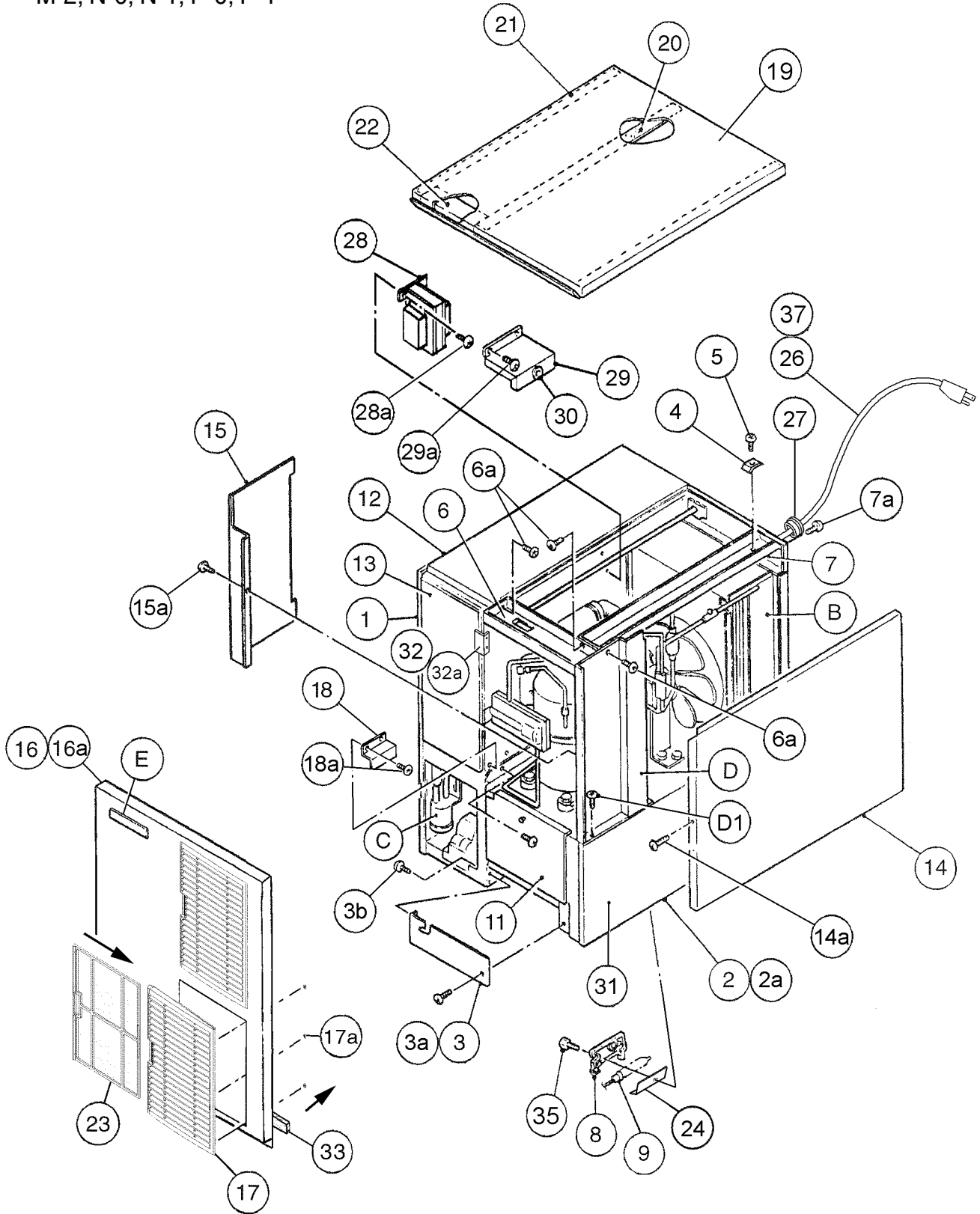
- = Part deleted.
- x = Part deleted and replaced by "o" part.
- o = New part in place of "x" part.

HA
A. Ice Cuber Assembly
KM-500MAH-E
L-0, M-0, M-1



HA

A. Ice Cuber Assembly
KM-500MAH-E
M-2, N-0, N-1, P-0, P-1



HA

Title: A. Ice Cuber Assembly Model: KM-500MAH-E										
Index No.	Description	Material or Model Number	Part Number	Required Number						
				L-0 M-0	M-1	M-2 N-0	N-1	P-0 P-1		
B	REFRIGERATION CIRCUIT	-	1A0420A03	1	x1					
		-	1A0420A05		o1	1	1	1		
C	WATER CIRCUIT	-	2A0971A02	1	1	1	1	1		
D	CONTROL BOX ASSEMBLY	-	2A2119A02	1	1	-				
		-	2A2539A01			1	1	1		
D1	T2 SCREW / WASHER ASSY	4X8	7P3120408	4	4	4	4	4		
E	LABEL LOCATION	-	3A2072A01	1	1	-				
		-	3A2412A01			1	1	1		
1	EVAP. CASE	HS-1012	1A0579G03	1	1	1	1	1		
2	BASE	-	2A2146G06	1	1	1	1	1		
2a	FT SCREW	4X8, SS	7F32-0408	7	7	7	7	7		
3	FRAME	ABS	3A0217G01	1	1	-				
		-	3A2503G01			1	1	1		
3a	TRUSS HEAD SCREW	4X8, SS	7C32-0408	1	1	1	1	1		
3b	TRUSS HEAD SCREW	4X12, SS	7C32-0412	2	2	2	2	2		
4	SQUARE WASHER	BRASS	433537-02	1	1	1	1	1		
5	SCREW - GROUNDING	BRASS	433304-02	1	1	1	1	1		
6	TOP FRAME	GS	332443-01	1	1	1	1	1		
6a	T2 SCREW / WASHER ASSY	4X8	7P3120408	4	4	4	4	4		
7	SIDE FRAME	GS	332465G01	1	1	1	1	x1		
			3A2782-01					o1		
7a	T2 SCREW / WASHER ASSY	4X8	7P3120408	2	2	2	2	2		
8	BULB HOLDER	PE	328919-01			1	1	1		
9	SPACER	PE	443545-01			2	1	1		
10	THUMBSCREW	SS, ABS	415949G09	2	2	-				
11	BASE COVER	SS	321525G01	1	1	1	1	1		
12	TOP INSULATION	PP	215730G01	1	1	1	1	1		
13	FRONT INSULATION	PP	215731G01	1	1	1	1	1		
14	SIDE PANEL (R)	SS	2A2117G01	1	1	1	1	1		
14a	T2 SCREW	4X8, SS	7P32-0408	1	1	1	1	1		
	TOOTH WASHER	M4, SS	7R22-0400	1	1	1	1	1		
15	CONTROL BOX COVER	GS	332466-01	1	1	-				
		GS	3A2476-01			1	1	1		
15a	T2 SCREW / WASHER ASSY	4X8	7P3120408	1	1	1	1	1		
16	FRONT PANEL	SS	2A2244G01	1	1	1	1	1		
16a	TRUSS HEAD SCREW	SS, 4X8	7C32-0408	1	1	1	1	1		
	TOOTH WASHER	M4, SS	7R22-0400	1	1	1	1	1		
17	LOUVER (A)	ABS	1A0547-01	2	2	2	2	2		
17a	PUSH RETAINER	-	4A2414-01	6	6	6	6	6		
18	BARRIER	GS	4A0362-01	1	1	1	1	1		
18a	T2 SCREW / WASHER ASSY	4X8	7P3120408	2	2	2	2	2		
19	TOP PANEL	SS (3A1890A01)	220465-01	1	1	1	1	1		
20	GASKET (A)	(3A1890A01)	324859-03	1	1	1	1	1		
21	GASKET	PVC (3A1890A01)	427014-04	2	2	2	2	2		
22	INSULATION	PE FOAM (3A1890A01)	438012-01	1	1	1	1	1		
23	AIR FILTER (A)	-	2A2062G01	2	2	2	2	2		
24	DEFLECTOR	SS	4A1951-01			1	1	1		
25	SHIELD	-	3A1438-01	1	1	-				

HA

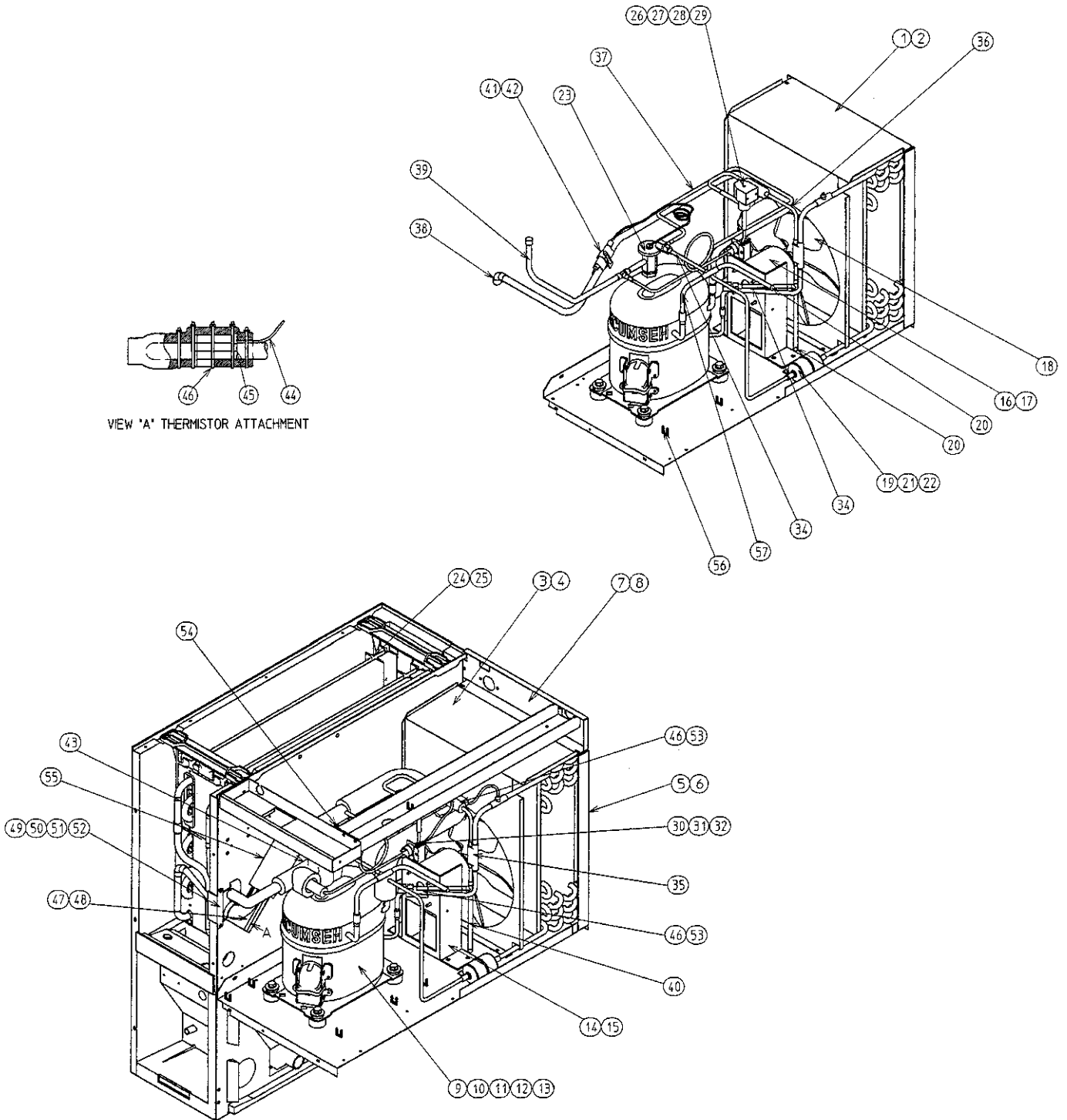
Title: A. Ice Cuber Assembly Model: KM-500MAH-E												
Index No.	Description	Material or Model Number	Part Number	Required Number								
				L-0 M-0	M-1	M-2 N-0	N-1	P-0 P-1				
26	POWER SUPPLY CORD	-	452359-02	1	1	1	1	1				
27	BUSHING	CEE SR-6P30	450414-01	1	1	1	1	1				
28	TRANSFORMER	PY12-19204	446202-01	1	1	1	1	1				
28a	PAN HEAD SCREW W/ WASHER (LF)	4x8	7C1230408	4	4	4	4	4				
29	TRANS COVER	GS	446359-01	1	1	1	1	1				
29a	T2 SCREW / WASHER ASSY	4x8	7P3120408	2	2	2	2	2				
30	BUSHING	OCB-500	428394-02	1	1	1	1	1				
31	SIDE PANEL (R) – BASE	SS	2A2147-01	1	1	1	1	1				
32	BARRIER – INSULATION	-	4A1167-01	1	1	1	1	1				
32a	T2 SCREW / WASHER ASSY	4X8	7P3120408	2	2	2	2	2				
33	GASKET	L=554	4A0808L02	1	1	1	1	1				
34	BRACKET (M)	-	3A1434-01	1	1	-						
35	THUMBSCREW	-	415949G04	2	2	-						
		-	415949G09			2	2	2				
36	BIN SWITCH	-	4A2430-01	1	1	-						
37	CABLE TIE MOUNT	-	437618-01			1	1	1				

HA

B. Refrigeration Circuit

KM-500MAH-E

L-0, M-0, M-1, M-2, N-0, N-1, P-0, P-1



Title: B. Refrigeration Circuit Model: KM-500MAH-E										
Index No.	Description	Material or Model Number	Part Number	Required Number						
				L-0 M-0	M-1	M-2 N-0	N-1 P-0	P-1		
1	CONDENSER	-	220491-01	1	1	1	1	1		
2	T2 SCREW / WASHER ASSY	4X8	7P3120408	2	2	2	2	2		
3	SHROUD	GS	2A0606-01	1	1	1	1	1		
4	T2 SCREW / WASHER ASSY	4X8	7P3120408	2	2	2	2	2		
5	BARRIER	GS	433693-04	1	1	1	1	1		
6	T2 SCREW / WASHER ASSY	4X8	7P3120408	2	2	2	2	2		
7	REAR PANEL	GS	3A2086-01	1	1	1	1	1		
8	T2 SCREW / WASHER ASSY	4X8	7P3120408	3	3	3	3	3		
9	COMPRESSOR	AKA9455ZXC	4A1925-01	1	1	1	1	1		
10	MOTOR PROTECTOR	8300MRAK30	4A1919-02	1	1	1	1	1		
11	BOLT	8x45	437889-01	4	4	4	4	4		
12	SPACER	027-0072-02	434404-01	4	4	4	4	4		
13	GROMMET	527-0039-04	434403-01	4	4	4	4	4		
14	FAN MOTOR BRACKET	GS	327179-01	1	1	1	1	1		
15	HEX BOLT ASSEMBLY (LF)	5X12, SS	7B0230512	4	4	4	4	4		
16	FAN MOTOR	U90B1, 7190-1031 5KPM84DFK14 8AS	440911-01 4A3158-01	1	1	1	1	- 1		
17	SELF-LOCKING NUT	NO. 8-32	7N2110832	4	4	4	4	4		
18	FAN BLADE	AD10CW32	444898-01	1	1	1	1	1		
19	DRIER	CW-0325-S -	4A1413-01 4A2666-01	1	- 1	- 1	- 1	- 1		
20	ENDCAP	-	4A1413F01	2	2	2	2	2		
21	DRIER BRACKET	GS	445847-01	1	-					
	NYLON TIE	-	8911-0301		1	1	1	1		
22	T2 SCREW	4X8	7P31-0408	1	-					
23	EXPANSION VALVE	AN 3/4 SW65	4A1870-01	1	1	1	1	1		
24	EVAPORATOR	-	106492G01	1	1	1	1	1		
25	T2 SCREW	4X16, SS	7P32-0416	4	4	4	4	4		
26	VALVE BODY	70	440352-01	1	1	1	1	1		
27	COIL - VALVE	ABS-25-1-HD-2	440353-01	1	1	1	1	1		
28	BOLT	4x6	440353F01	1	1	1	1	1		
29	TRUSS HEAD SCREW	4X8	7C31-0408	2	2	2	2	2		
30	PRESSURE SWITCH	ACB-1UB09	433441-07	1	1	1	1	1		
31	PRESSURE SWITCH BRACKET	GS	434938-01	1	1	1	1	1		
32	T2 SCREW / WASHER ASSY	4X8	7P3120408	1	1	1	1	1		
33	-	-	-							
34	ACCESS VALVE	TCJ-2F20NHDU-1	457729-01	2	2	2	2	2		
35	COPPER TUBE (A) - HIGH SIDE	COPPER	2A1435G01	1	1	1	1	1		
36	COPPER TUBE (D) - HIGH SIDE	COPPER	3A1238G01	1	1	1	1	1		
37	HEAT EXCHANGER	-	2A1478G02	1	1	1	1	1		
38	ELBOW	COPPER	417395-03	1	1	1	1	1		
39	COPPER TUBE - HOT GAS	COPPER	2A1488G01	1	1	1	1	1		
40	COPPER TUBE (J)	COPPER	4A1815G01	1	1	1	1	1		

HA

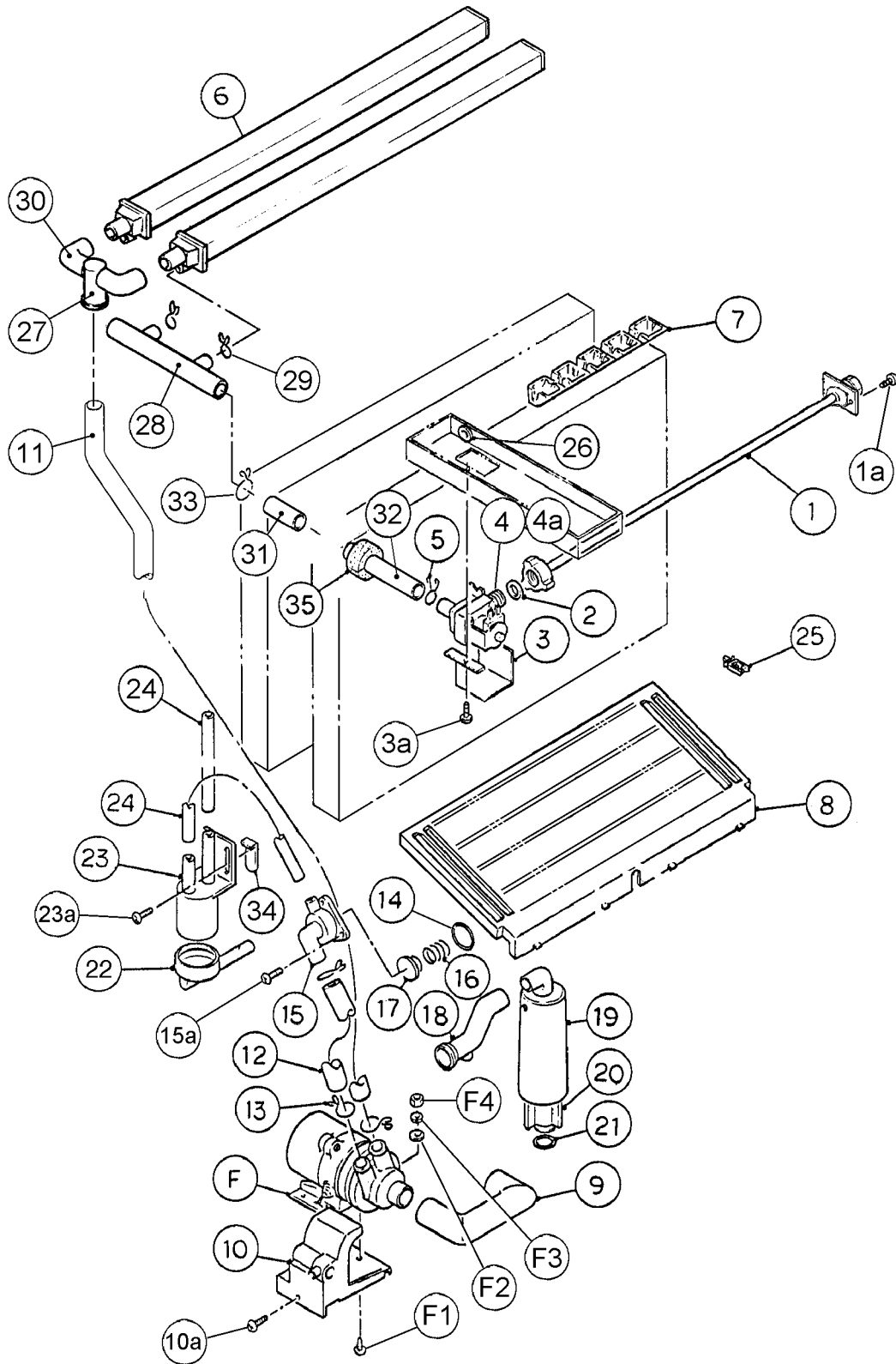
Title: B. Refrigeration Circuit Model: KM-500MAH-E												
Index No.	Description	Material or Model Number	Part Number	Required Number								
				L-0 M-0	M-1	M-2 N-0	N-1 P-0	P-1				
41	HOLDER / EXP. VALVE – 1/2	SS	3A0112-01	1	1	1	1	1				
42	CLAMP	SS	443461-02	1	1	1	1	1				
43	EXPANSION VALVE COVER	PE FOAM	4A1168-01	1	1	1	1	1				
44	THERMISTOR	-	429006-03	1	1	1	1	1				
45	HOLDER - THERMISTOR	COPPER	427430-01	1	1	1	1	1				
46	CABLE TIE	CV-200 (PLT-2M)	7920-0010	11	11	11	11	11				
47	INSULATION - THERMISTOR (A)	PE FOAM	439368-01	1	1	1	1	1				
48	INSULATION - THERMISTOR (B)	PE FOAM	439368-02	1	1	1	1	1				
49	RUBBER INSULATION (A)	EPDM	3A1044-01	1	1	1	1	1				
50	RUBBER INSULATION (B)	EPDM	3A1045-01	1	1	1	1	1				
51	INSULATION HOLDER	SS	4A1550-01	1	1	1	1	1				
52	T2 SCREW	4X8, SS	7P32-0408	2	2	2	2	2				
53	INSULATION TUBE	L=40	7762-1020	2	2	2	2	2				
54	INSULATION TUBE	L=120	7762-1020	1	1	1	1	1				
55	INSULATION TUBE	L=160	7762-2040	1	1	1	1	1				
56	WIRE SADDLE	VWS4238-C	4A0338-02	10	10	10	10	10				
57	COPPER TUBE ACCESS VALVE	COPPER	3A1422G01	1	1	1	1	1				

HA

C. Water Circuit

KM-500MAH-E

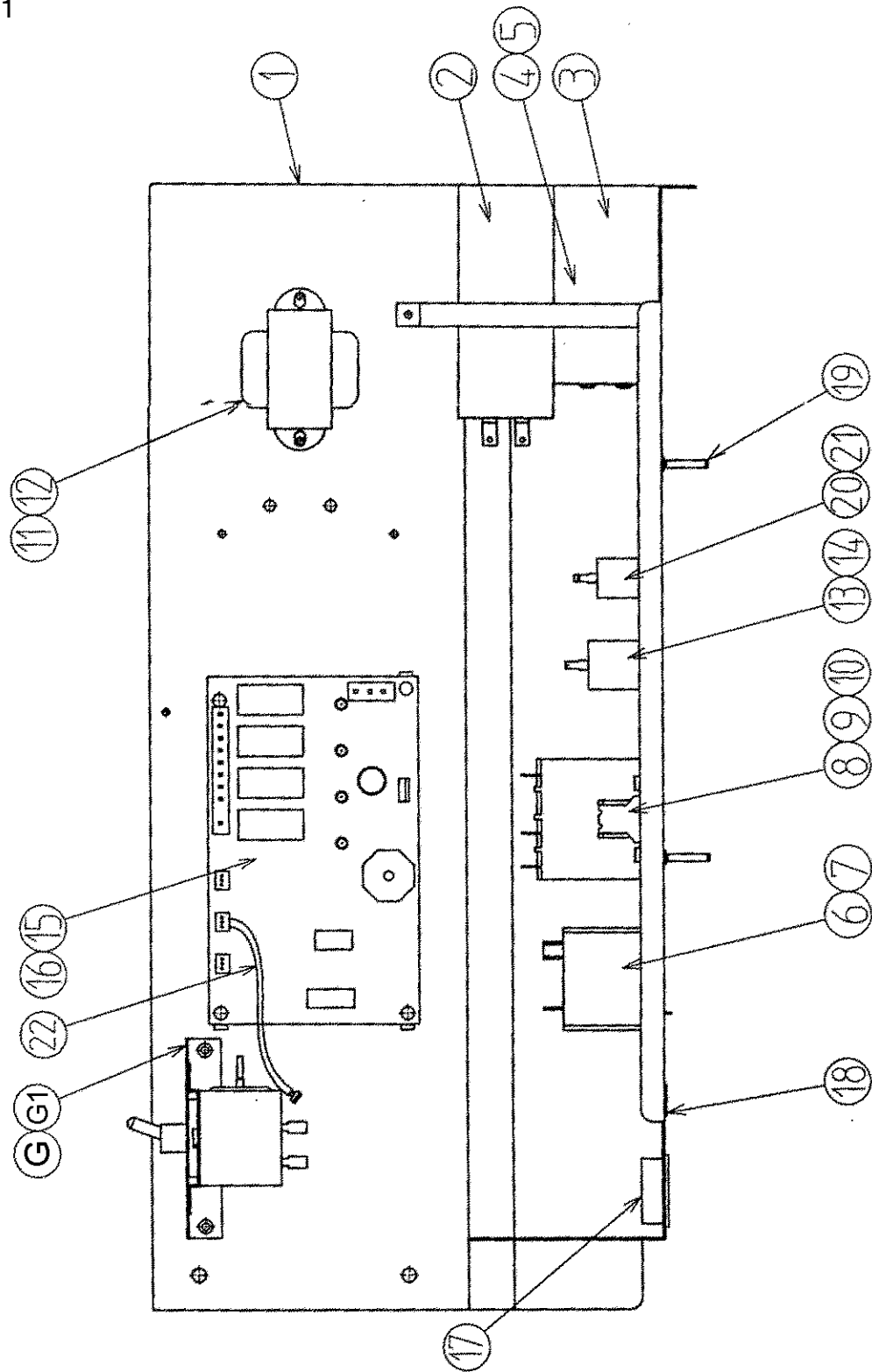
L-0, M-0, M-1, M-2, N-0, N-1, P-0, P-1



Title: C. Water Circuit Model: KM-500MAH-E											
Index No.	Description	Material or Model Number	Part Number	Required Number							
				L-0 M-0	M-1	M-2 N-0	N-1 P-0 P-1				
F	PUMP MOTOR ASSEMBLY	HS-0102	321444A04	1	1	1	1				
F1	TRUSS HEAD SCREW	4X16, SS	7C32-0415	1	1	1	1				
F2	FLAT WASHER	M4, SS	7W22-0400	1	1	1	1				
F3	SPLIT LOCK WASHER	M4, SS	7L22-0400	1	1	1	1				
F4	HEX NUT	M4, SS	7N12-0400	1	1	1	1				
1	WATER SUPPLY PIPE	COPPER	4A0768G06	1	1	1	1				
1a	T2 SCREW	4X8	7P31-0408	2	2	2	2				
2	RUBBER GASKET	NR	413854-03	1	1	1	1				
3	WATER VALVE BRACKET	GS	3A0736-01	1	1	1	1				
3a	T2 SCREW	4X8	7P31-0408	1	1	1	1				
4	WATER VALVE	V-19	4A1176-03	1	1	1	1				
4a	TRUSS HEAD SCREW	4X8	7C32-0408	2	2	2	2				
5	HOSE CLAMP	SS, 18MM	427443-05	1	1	1	1				
6	SPRAY TUBE	PE	433520G01	2	2	2	2				
7	SPRAY GUIDE (A)	PE	208586-01	6	6	6	6				
8	CUBE GUIDE	ABS	212088-01	1	1	1	1				
9	SUCTION HOSE	EPDM	433466-01	1	1	1	1				
10	PUMP MOTOR BRACKET	PC	211408-01	1	1	1	1				
10a	FLAT HEAD SCREW	4X12, SS	7F32-0412	1	1	1	1				
11	VINYL HOSE	L=625	7716-2025	1	1	1	1				
12	VINYL HOSE	L=110	7716-2025	1	1	1	1				
13	HOSE CLAMP	SS, 25MM	427443-03	9	9	9	9				
14	"O" RING	1AG35	7611-G035	1	1	1	1				
15	VALVE HOUSING - DRAIN	ABS	321001-01	1	1	1	1				
15a	T2 SCREW	4X10, SS	7P32-0410	3	3	3	3				
16	SPRING	SS	3A0875-01	1	1	1	1				
17	VALVE SHEET	EPDM	433705-01	1	1	1	1				
18	DRAIN HOSE	-	433468-01	1	1	1	1				
19	OVERFLOW CAP	PE	321002-01	1	1	1	1				
20	OVERFLOW PIPE	ABS	430722-03	1	1	1	1				
21	"O" RING	EPDM	4A1234-01	1	1	1	1				
22	CONNECTOR - FLOAT SWITCH	EPDM	3A1325-01	x1							
		-	426799-01	o1	1	1	1				
23	FLOAT SWITCH	163795	4A0886-01	1	1	1	1				
23a	T2 SCREW	4X12, SS	7P32-0412	2	2	2	2				
24	SILICONE HOSE	L=140	773013896	2	2	2	2				
25	WIRE SADDLE	VWS4238-C	4A0338-02	4	4	4	4				
26	BUSHING	OCB-750	428394-01	1	1	1	1				
27	DISTRIBUTOR	EPDM	432820-01	1	1	1	1				
28	DISTRIBUTOR HOSE	-	439374-01	1	1	1	1				
29	HOSE CLAMP	SS, 13.5 MM	427443-07	2	2	2	2				
30	ELBOW	-	433467-01	2	2	2	2				
31	JOINT PIPE	ABS	439329-01	1	1	1	1				
32	CONNECTING PIPE	DYNAFLEX	4A1142-02	1	1	x1					
		DYNAFLEX	4A1142-01			o1	1				
33	HOSE CLAMP	SS, 20 MM	427443-06	1	1	1	1				
34	FLOAT SWITCH STOP	SS	446358-01	1	1	1	1				
35	INSULATION (E)	PE FOAM	4A0392-01	1	1	1	1				

HA

D. Control Box Assembly
KM-500MAH-E
L-0, M-0, M-1

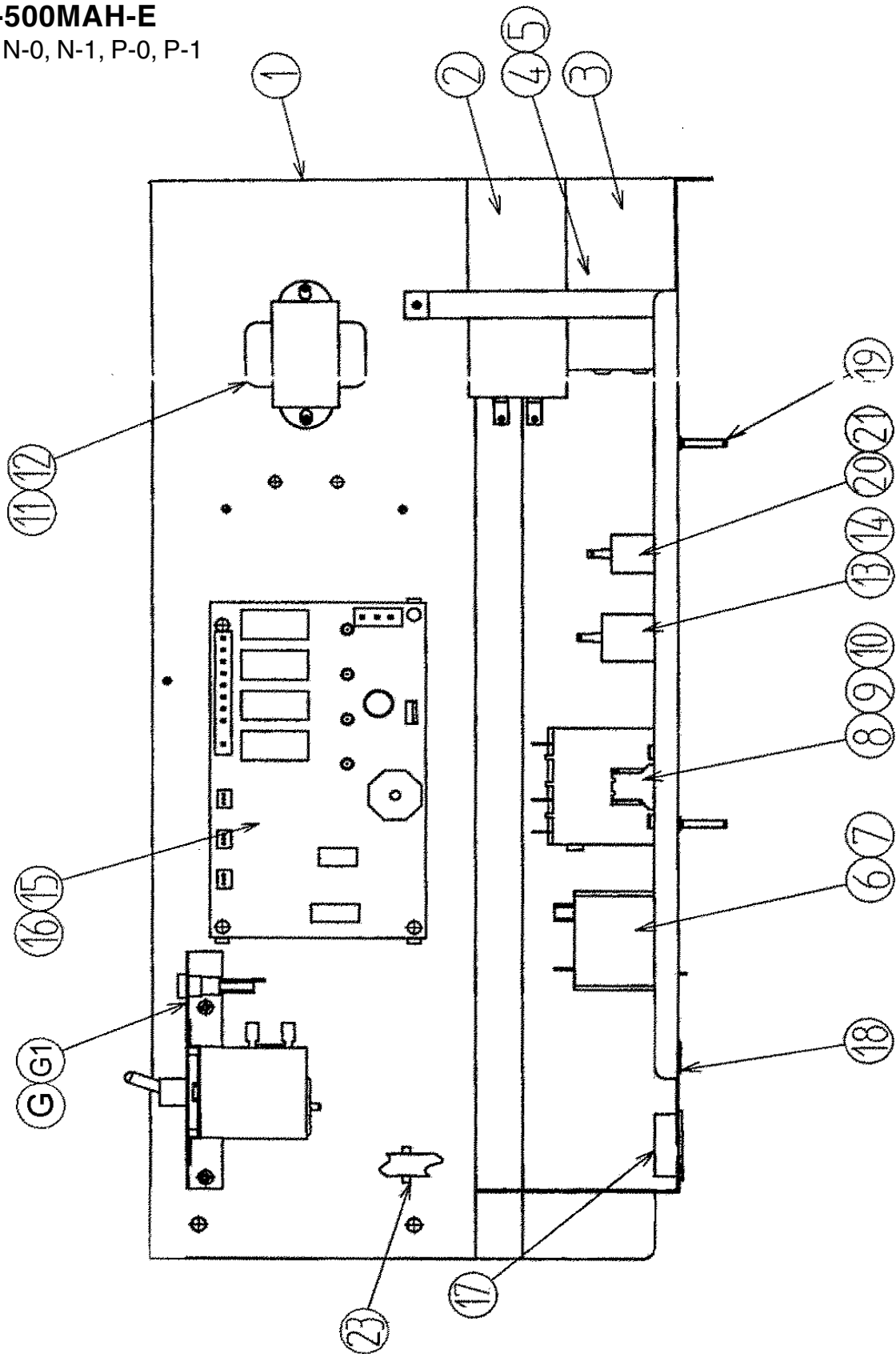


HA

D. Control Box Assembly

KM-500MAH-E

M-2, N-0, N-1, P-0, P-1



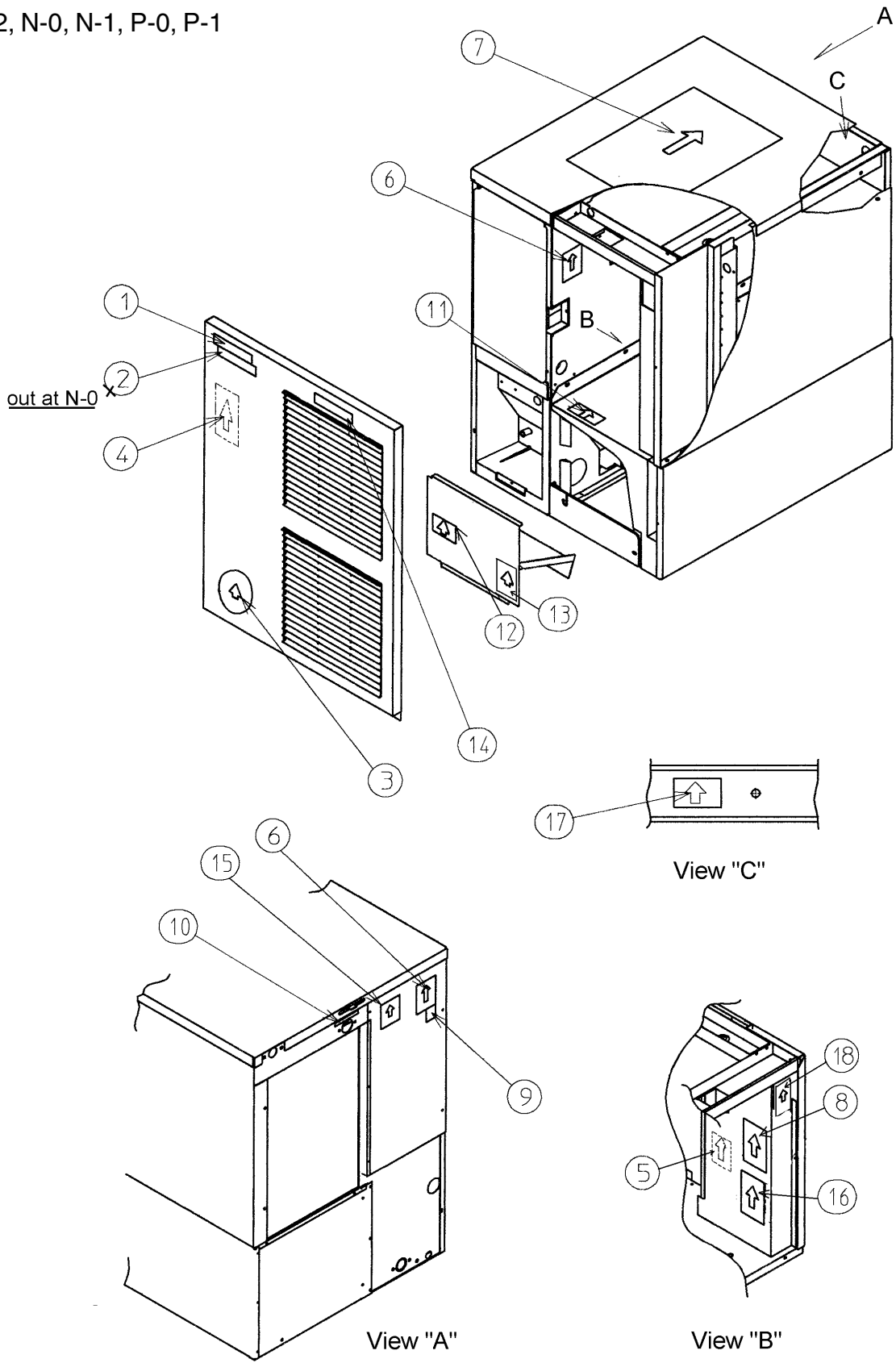
Title: D. Control Box Assembly Model: KM-500MAH-E											
Index No.	Description	Material or Model Number	Part Number	Required Number							
				L-0 M-0	M-1	M-2 N-0	N-1 P-0 P-1				
G	CONTROL ASSEMBLY	-	4A2513A02	1	1	-					
		-	4A2911A02			1	1				
G2	T2 SCREW	4X8	7P31-0408	2	2	2	2				
1	CONTROL BOX	-	2A1851-01	1	1	1	1				
2	CAPACITOR	15MFD 440V	4A1267-01	1	1	1	1				
3	CAPACITOR – STARTING	72-88 MFD, 330 VAC	3A1414-01	1	1	1	1				
4	STRAP	GS	4A2262-01	1	1	1	1				
5	T2 SCREW	4X8	7P31-0408	1	1	1	1				
6	STARTER	GE3ARR3CT3AN5	4A1107-06	1	1	1	1				
7	T2 SCREW	4X8	7P31-0408	1	1	1	1				
8	MAGNETIC CONTACTOR	VC-20	428393-01	1	1	1	1				
9	BRACKET	-	428393F01	1	1	1	1				
10	T2 SCREW	4X8	7P31-0408	2	2	2	2				
11	TRANSFORMER	26D285H	3A0172-01	1	1	1	1				
12	T2 SCREW	4X8	7P31-0408	2	2	2	2				
13	CAPACITOR	250 VAC, 5.5 MFD	4A2128-03	1	1	1	1				
14	T2 SCREW	4X10	7P31-0410	1	1	1	1				
15	CONTROLLER BOARD	HOS-001A	2A1410-01	1	1	1	1				
16	BOARD SUPPORT	CBLS37-M	4A0336-03	4	4	4	4				
17	BUSHING	SB-1093-15	420470-03	1	1	1	1				
18	BUSHING	OCB-500	428394-02	1	1	1	1				
19	WIRE SADDLE	VWS4238-C	4A0338-02	2	2	x2					
	CLAMP	-	4A2338-01			o2	2				
20	CAPACITOR	250 VAC, 2.5 MFD	4A2128-05	1	1	1	1				
21	T2 SCREW	4X10	7P31-0410	1	1	1	1				
22	RESISTOR WIRE HARNESS	-	4A2200G01	1	1	-					
23	FUSE	-	4A0893-07			1	1				

HA

E. Label Location

KM-500MAH-E

M-2, N-0, N-1, P-0, P-1



HA

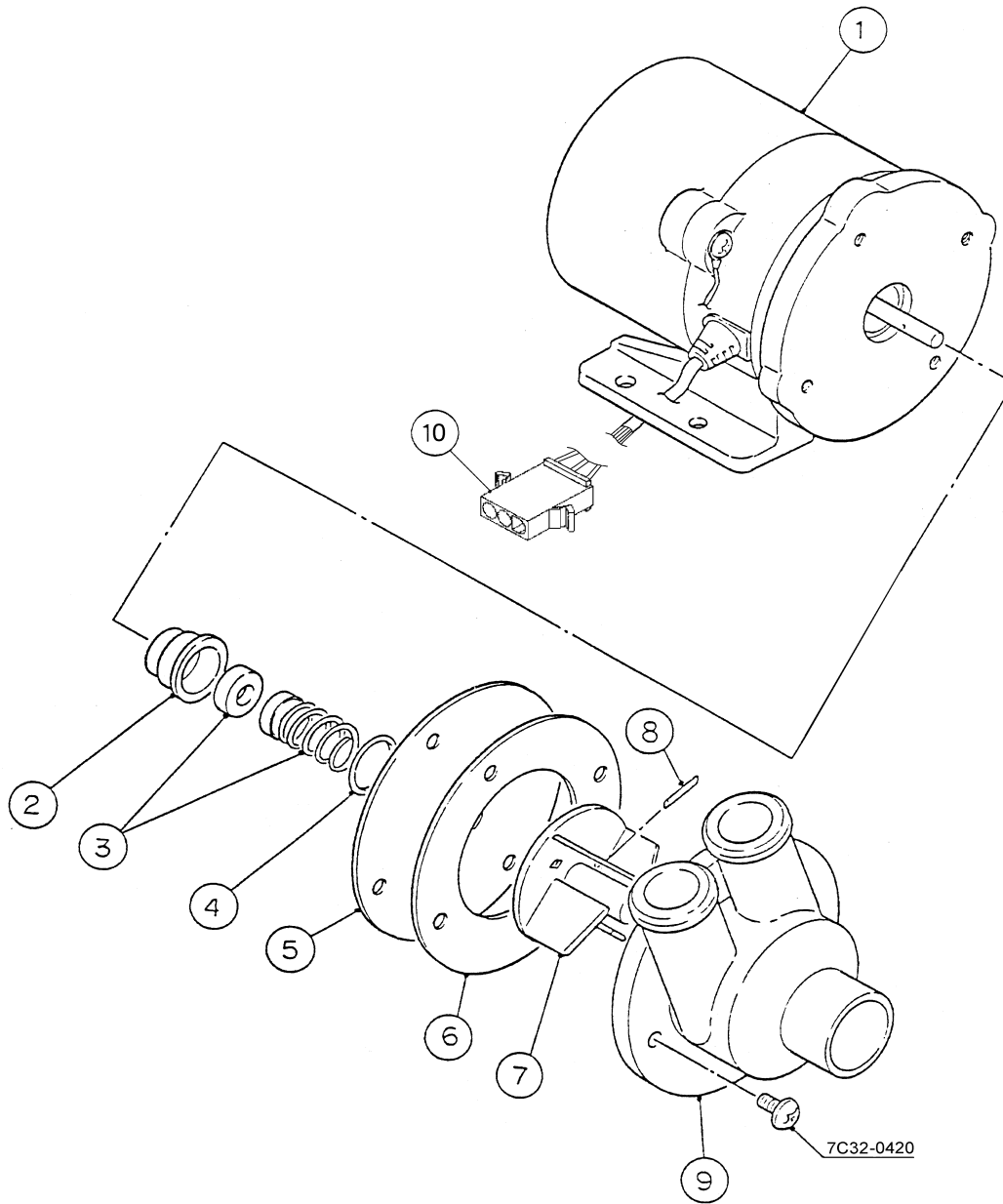
Title: E. Label Location Model: KM-500MAH-E										
Index No.	Description	Material or Model Number	Part Number	Required Number						
				L-0 M-0	M-1	M-2	N-0 N-1 P-0 P-1			
1	EMBLEM	PETP FILM	4A0560-01	1	1	1	1			
2	MODEL NUMBER LABEL	PETP FILM	4A2356-47	1	1	1	-			
3	LABEL – PENGUIN – HA (R)	PETP FILM	4A0526-01	1	1	1	1			
4	MAINTENANCE LABEL	PVC FILM	3A0725-01	1	1	1	1			
5	WIRING LABEL	PVC FILM	3A2073-01	1	1	-				
		PVC FILM	3A2417-01			1	1			
6	NAMEPLATE	PES FILM	4A2570-01	2	2	-				
			2A2622-04			2	2			
7	INSTRUCTION SHEET	PAPER	2A2143-01	1	1	1	1			
8	MANUAL LABEL	PVC FILM	4A2530-01	1	1	-				
		PVC FILM	446564-01			1	1			
9	LABEL-CE	PES FILM	450668-01	1	1	1	1			
10	WATER SUPPLY LABEL	PVC FILM	4A1158-01	1	1	1	1			
11	LABEL – R404A	PES FILM	4A0960-01	1	1	1	1			
12	CAUTION LABEL (F)	PVC FILM	439146-01	1	1	1	1			
13	CAUTION LABEL (H)	PVC FILM	439148-01	1	1	1	1			
14	LABEL – AIR FILTER	PETP FILM	426177-01	1	1	1	1			
15	INSTRUCTION LABEL	PVC FILM	444575-01	1	1	1	1			
16	LABEL – CONTROL BOARD	PVC FILM	3A2220-01	1	1	1	1			
17	LABEL – GROUNDING (B)	PES FILM	450452-01	1	1	-				
		PES FILM	450452-02			1	1			
18	LABEL – FUSE	-	4A2817-01			1	1			

HA

F. Pump Motor Assembly

KM-500MAH-E

L-0, M-0, M-1, M-2, N-0, N-1, P-0, P-1

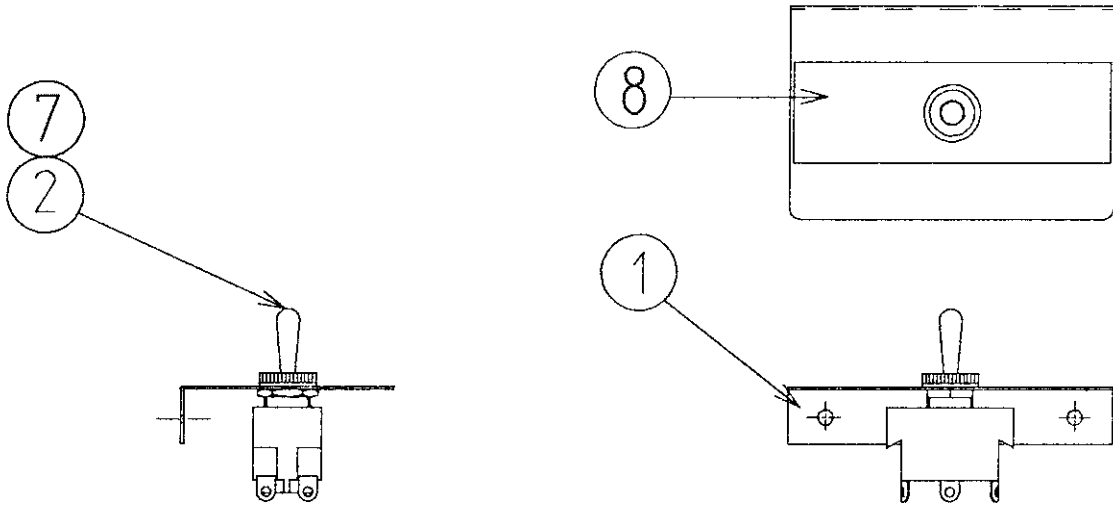


HA

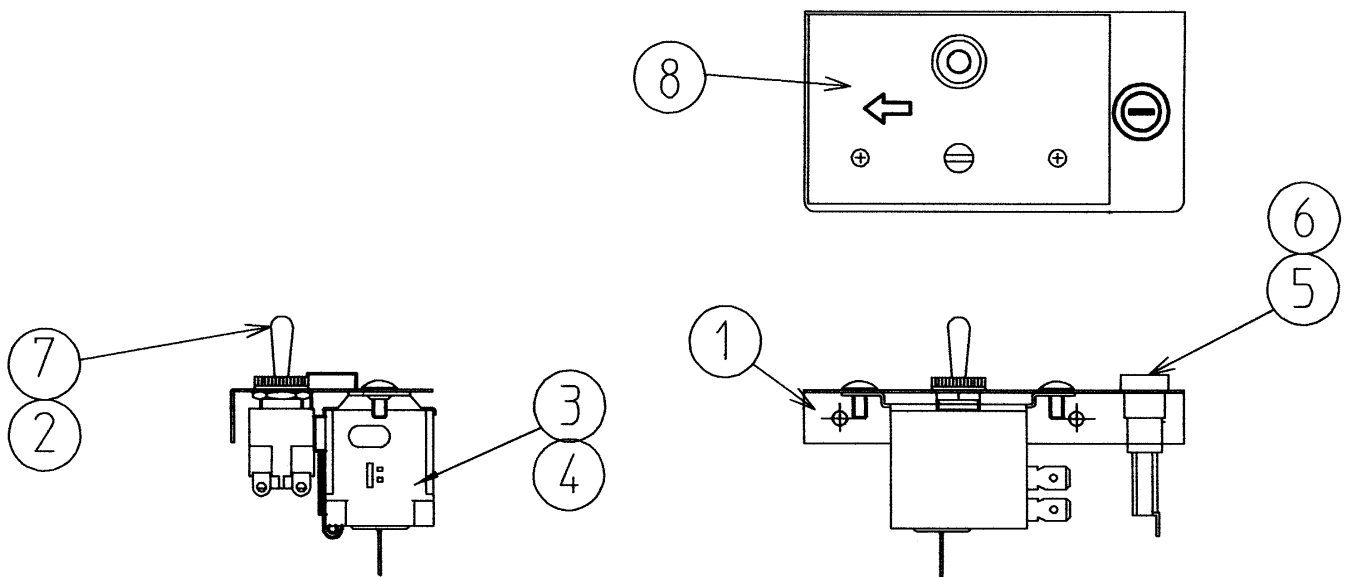
Title: F. Pump Motor Assembly Model: KM-500MAH-E												
Index No.	Description	Material or Model Number	Part Number	Required Number								
				L-0 M-0	M-1	M-2 N-0	N-1 P-0	P-1				
1	PUMP MOTOR	AP-TA4(H) 120V	2U0095-01	1	1	1	1	1				
2	RETAINER	SS	418584-01	1	1	1	1	1				
3	MECHANICAL SEAL (B)	H5-PS9, 5	415817-01	1	1	1	1	x1				
	MECHANICAL SEAL / R	HKU90-J9001	465627-01					o1				
4	"O" RING	1AP18	7611-P018	1	1	1	1	1				
5	PLATE – PUMP	SS	403013-01	1	1	1	1	1				
6	PUMP GASKET	NR	403014-01	1	1	1	1	x1				
		EPDM	4A2974-01					o1				
7	IMPELLER	ABS	417082-01	1	1	1	1	1				
8	PIN	SS	414102-01	1	1	1	1	x1				
			4A0648-01					o1				
9	PUMP HOUSING	ABS	211409-02	1	1	1	1	1				
9a	PAN HEAD SCREW	4X20, SS	7C12-0420	4	4	4	4	4				
9b	TOOTH WASHER	SS, 4 MM	7R22-0400	2	2	2	2	2				
10	PLUG HOUSING	3191-03P	412832-06	1	1	1	1	1				

HA

G. Control Assembly
KM-500MAH-E
L-0, M-0, M-1



G. CONTROL ASSEMBLY
KM-500MAH-E
M-2, N-0, N-1, P-0, P-1



HA

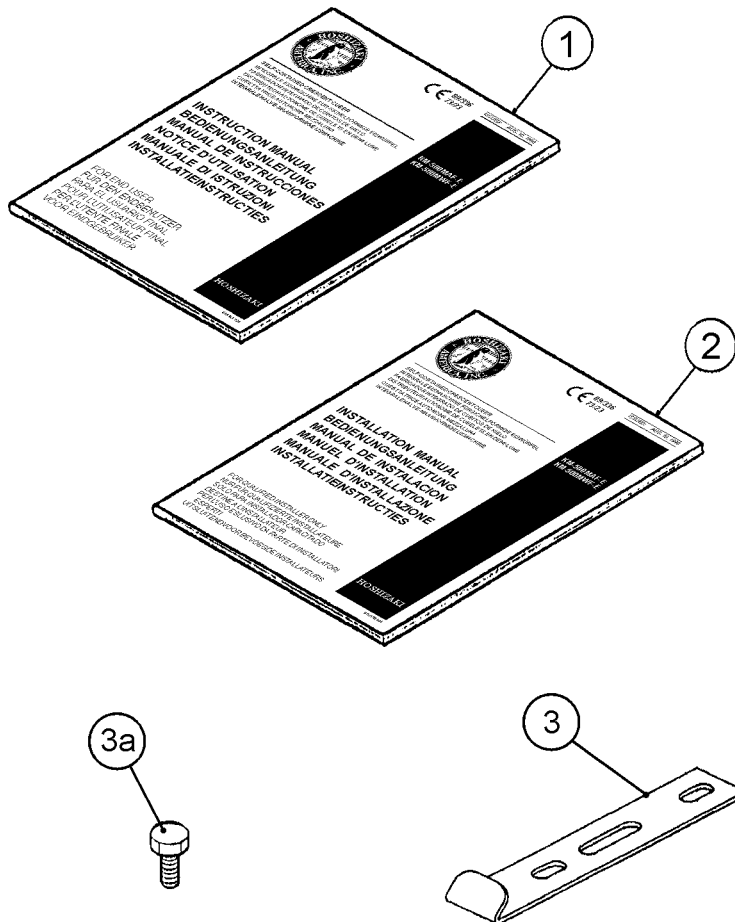
Title: G. Control Assembly Model: KM-500MAH-E										
Index No.	Description	Material or Model Number	Part Number	Required Number						
				L-0 M-0	M-1	M-2	N-0 N-1 P-0 P-1			
1	CONTROL BOX (C)	-	4A2517-01	1	1	-				
		-	4A2816-01			1	1			
2	TOGGLE SWITCH	-	443119-01	1	1	1	1			
3	THERMOSTAT	YTB-105B	4A2879-01			1	1			
4	TRUSS HEAD SCREW	4X8	7C31-0408			2	2			
	TOOTH WASHER	M4, Zinc	7R21-0400			2	2			
5	FUSE HOLDER	HTB921	4A0892-01			1	1			
6	FUSE	AGC-10	4A0893-07			1	1			
7	TOGGLE SWITCH	2GM91-68	4A2436-01	1	1	1	1			
8	CONTROL LABEL	-	4A2509-01	1	1	-				
		-	4A2909-01			1	1			

HA

H. Accessories

KM-500MAH-E

L-0, M-0, M-1, M-2, N-0, N-1, P-0, P-1



HA

Title: H. Accessories and Packaging Model: KM-500MAH-E											
Index No.	Description	Material or Model Number	Part Number	Required Number							
				L-0 M-0	M-1	M-2 N-0	N-1 P-0 P-1				
1	INSTRUCTION MANUAL	PAPER	91A1NG10A	1	1	1	1				
2	INSTALLATION MANUAL	PAPER	91A1NG11A	1	1	1	1				
3	UNIVERSAL BRACE	GS	4A0363-01	2	2	2	2				
3a	HEX HEAD BOLT	5X12, SUS	7B02-0512	4	4	4	4				
	PACKAGING (available only on models currently in production)	-	2A2145A04								
1	PALLET	-	2A2503-01	1	1	1	1				
2	TRAY	-	2A2173-02	1	1	1	1				
3	CORNER POST	-	3A0788-10	2	2	2	2				
4	CARTON	-	2A2125-03	1	1	1	1				
5	CORNER POST	-	3A0788-03	4	4	4	4				
6	SIDE PROTECTOR	-	4A2304-02	1	1	1	1				
7	SIDE PROTECTOR	-	4A2304-01	3	3	3	3				
8	WOOD BLOCK – A	-	4A2794-01	3	3	3	3				
9	WOOD BLOCK – B	-	4A2794-02	1	1	1	1				