

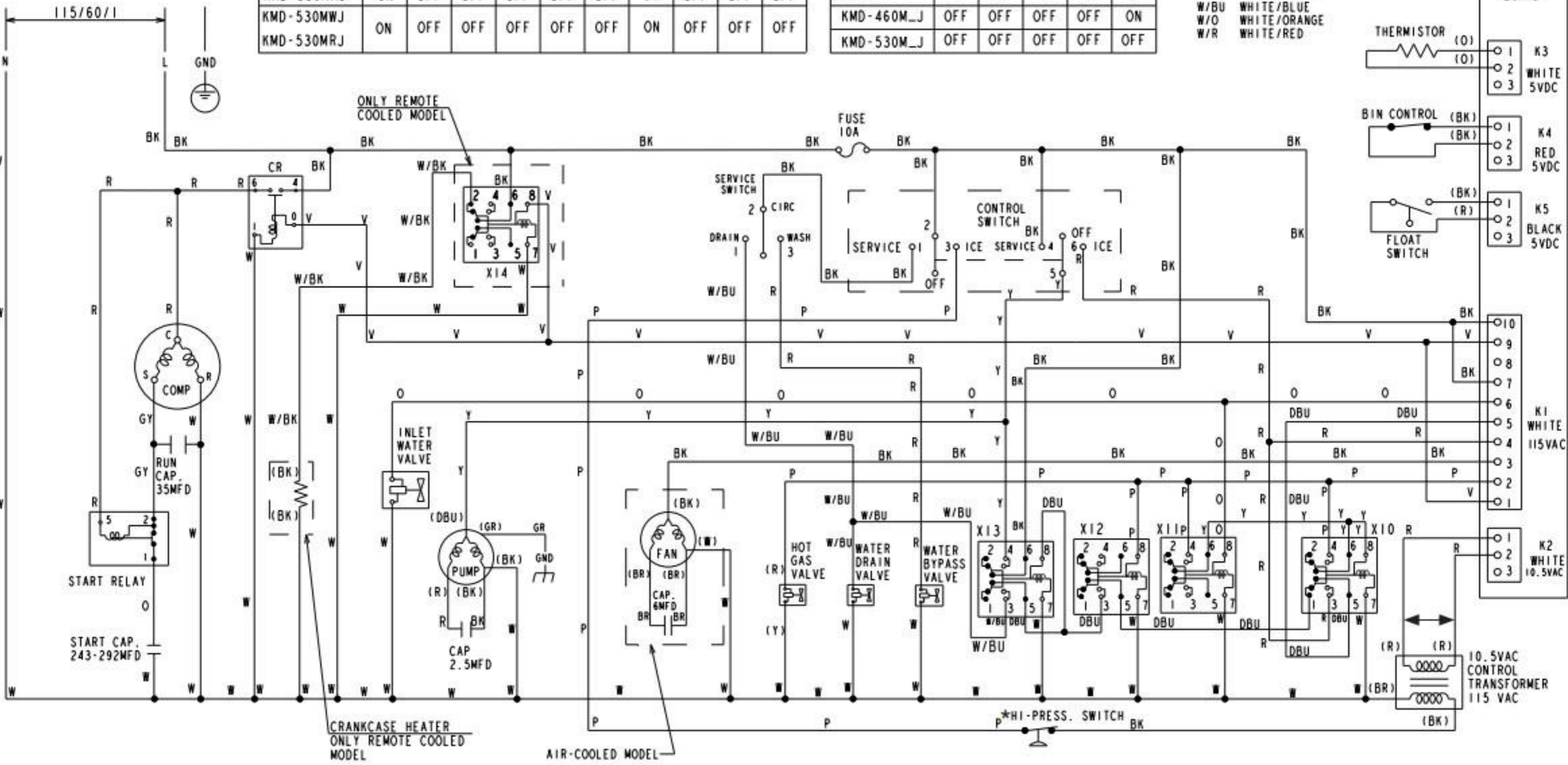
ABBR.	COMPONENT NAME
X10	PUMP DIRECTION RELAY
X11	INLET WATER VALVE RELAY
X12	SLUSH CONTROL RELAY
X13	SERVICE RELAY
X14	CRANKCASE HEATER RELAY
CR	COMPRESSOR RELAY

WIRE COLOR CODE

BK	BLACK
BR	BROWN
DBU	DARK BLUE
GR	GREEN
GY	GRAY
LBU	LIGHT BLUE
O	ORANGE
P	PINK
R	RED
V	VIOLET
W	WHITE
Y	YELLOW
W/BK	WHITE/BLACK
W/BR	WHITE/BROWN
W/BU	WHITE/BLUE
W/O	WHITE/ORANGE
W/R	WHITE/RED

S4 DIP SWITCH SETTING										
MODEL	1	2	3	4	5	6	7	8	9	10
KMD-460M_J	OFF	OFF	OFF	OFF	OFF	OFF	ON	OFF	OFF	OFF
KMD-530MAJ	ON	OFF	OFF	OFF	OFF	OFF	ON	OFF	OFF	OFF
KMD-530MWJ	ON	OFF	OFF	OFF	OFF	OFF	ON	OFF	OFF	OFF
KMD-530MRJ	ON	OFF	OFF	OFF	OFF	OFF	ON	OFF	OFF	OFF

S5 DIP SWITCH SETTING					
MODEL	1	2	3	4	5
KMD-460M_J	OFF	OFF	OFF	OFF	ON
KMD-530M_J	OFF	OFF	OFF	OFF	OFF



* High-Pressure Switch		
	Air-Cooled and Remote Air-Cooled Models	Water-Cooled Model
Cut-out	412± ^{21.3} ₀ PSIG	384± ^{21.3} ₀ PSIG
Cut-in	327±21.3 PSIG	284±21.3 PSIG