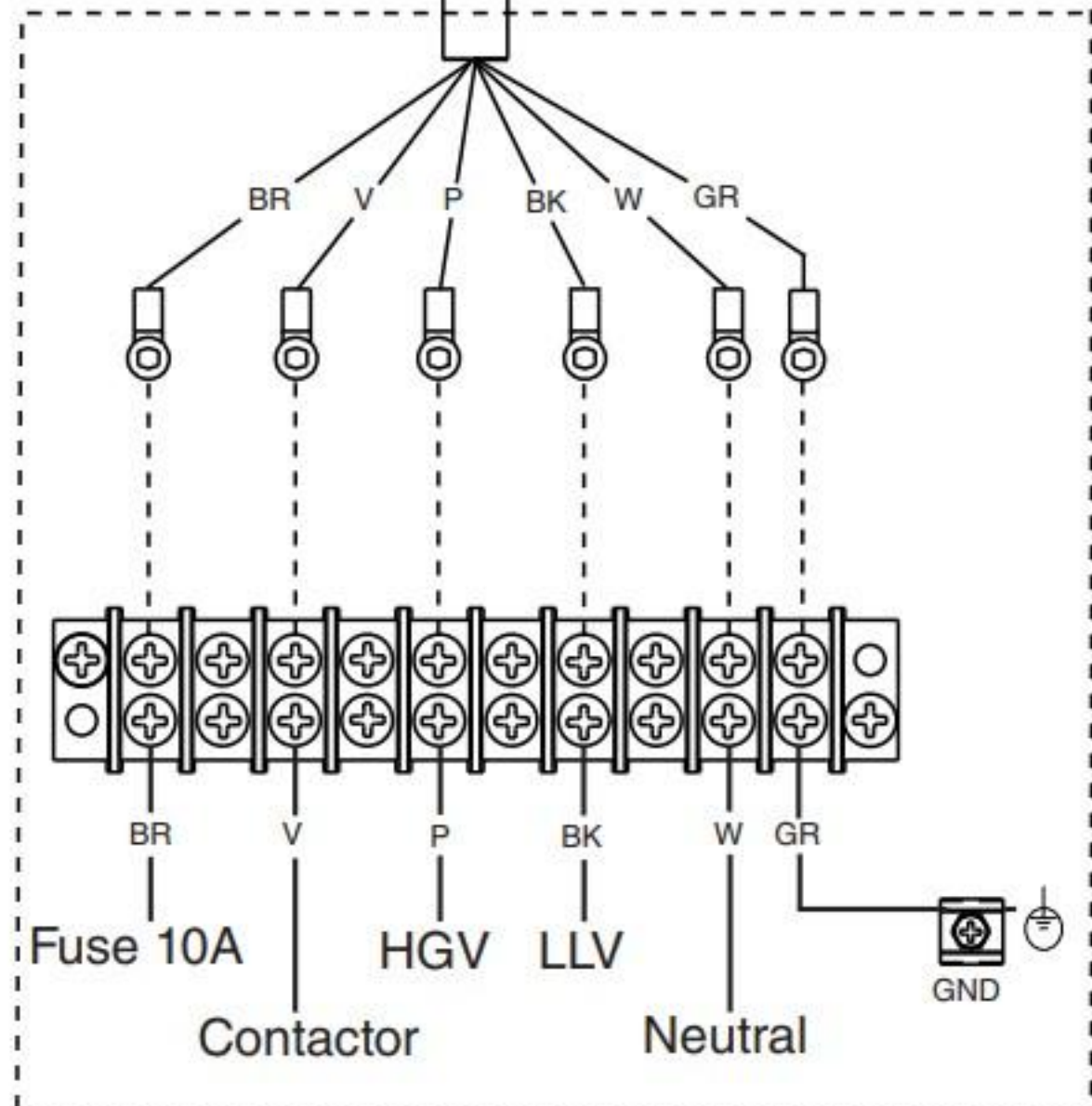
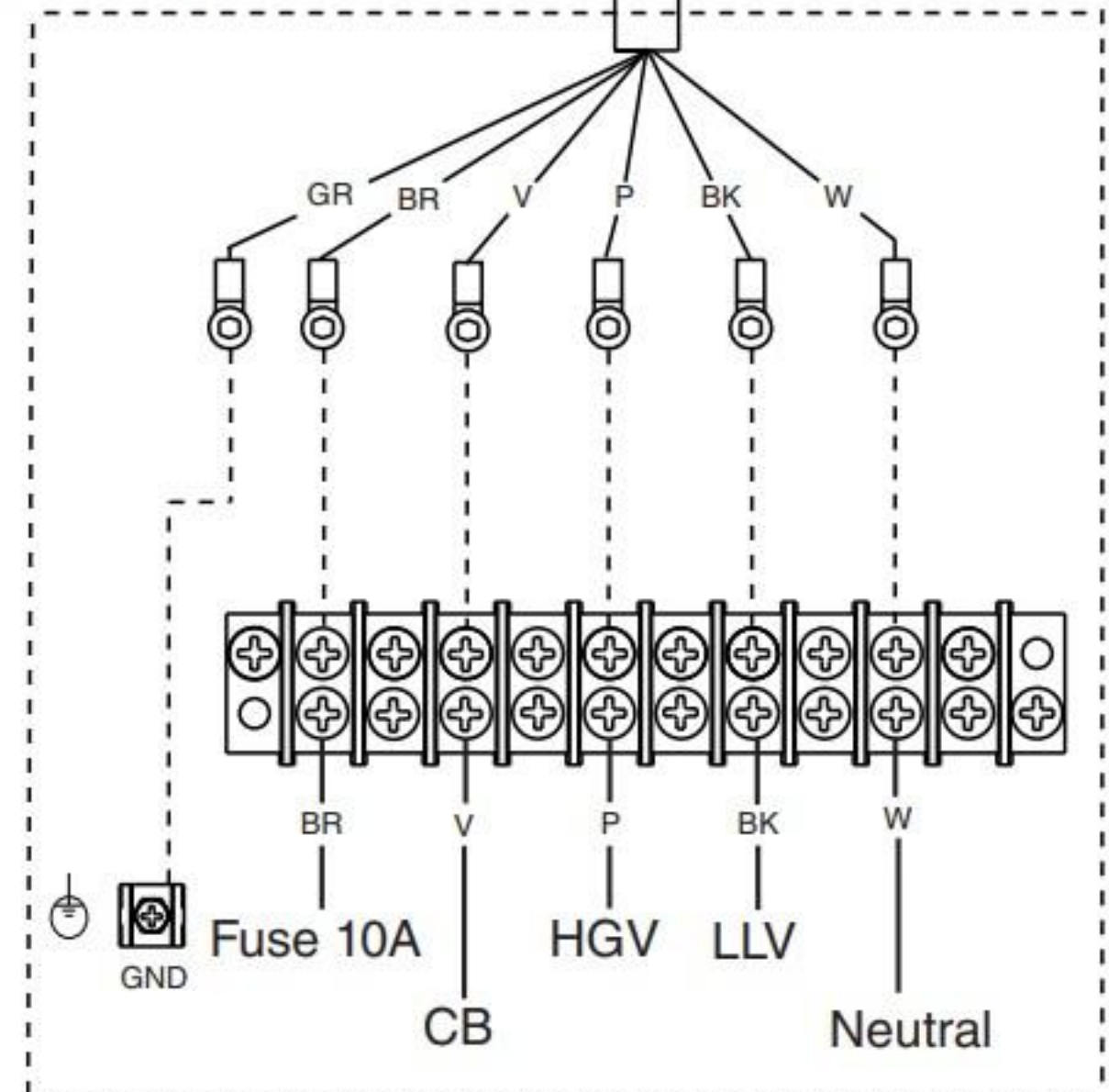


### SRK Condensing Unit (field connected)



### KMS Icemaker Unit (factory connected)

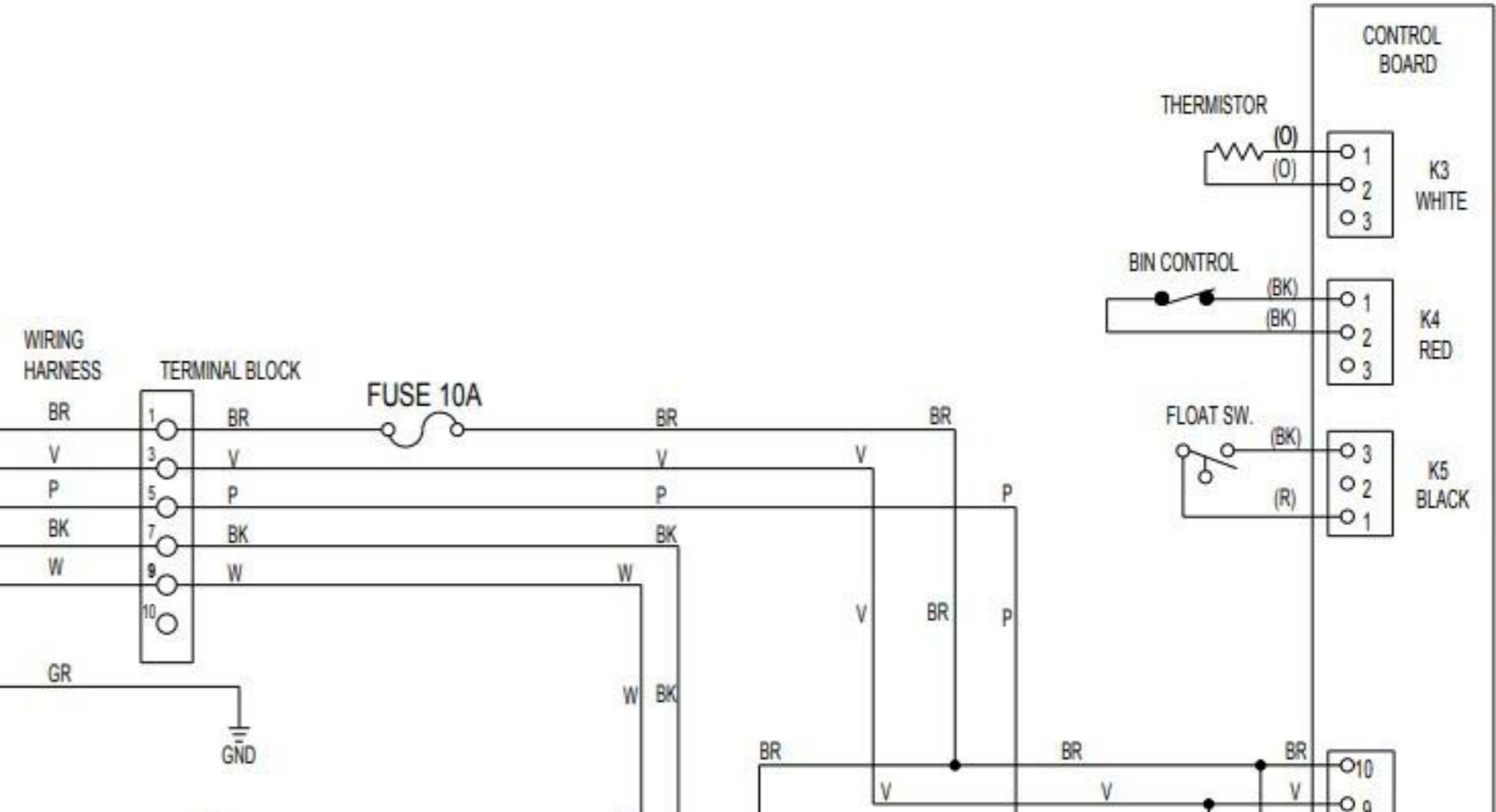
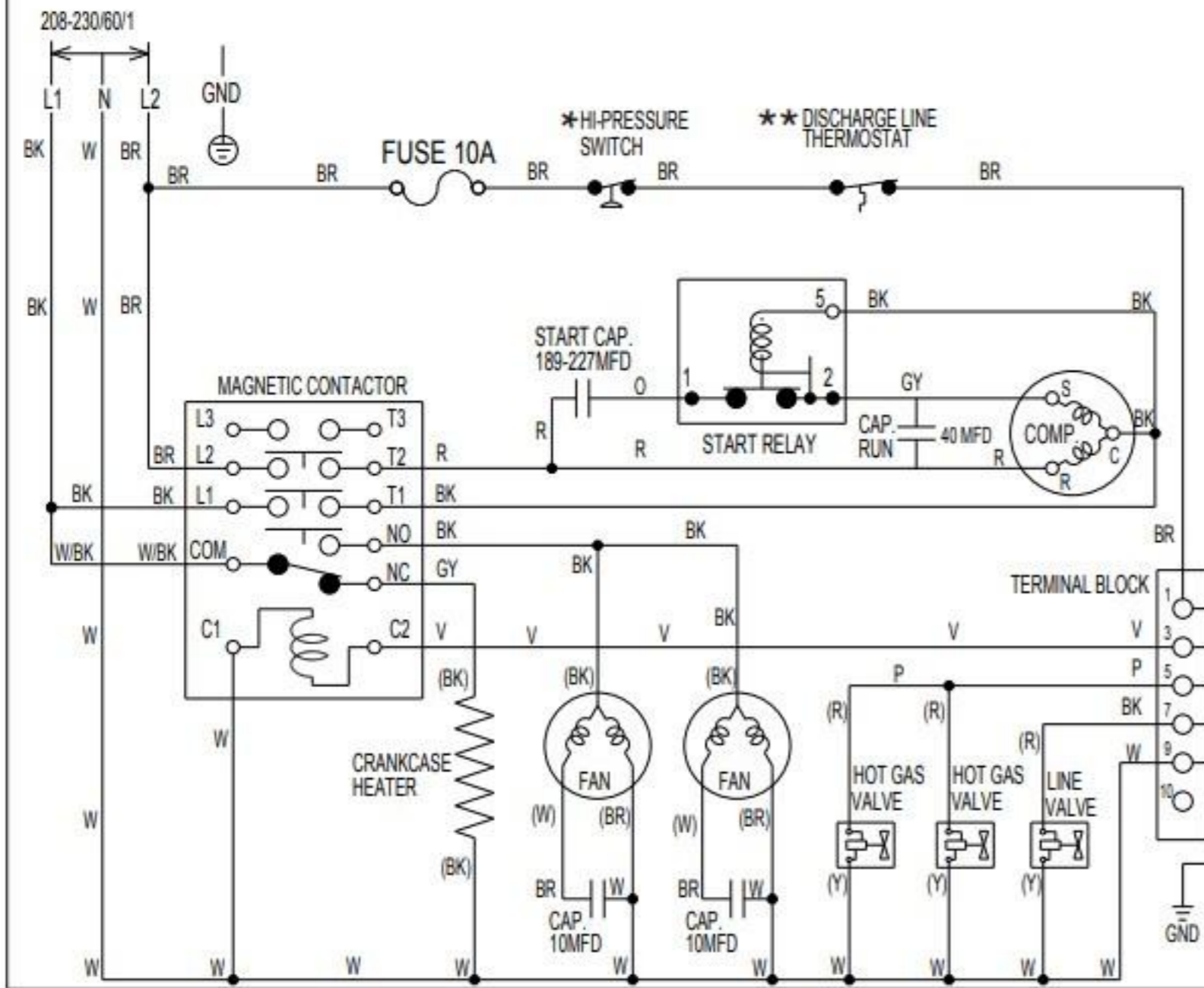


# SRK (1 PHASE)

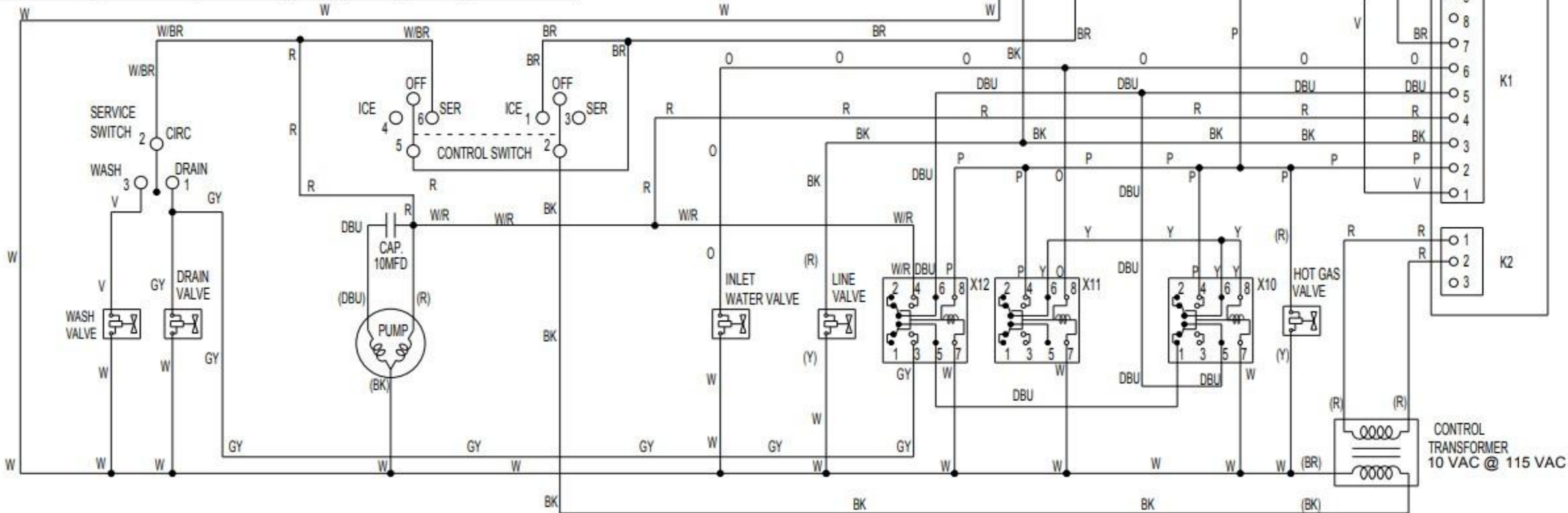
S4 DIP SWITCH SETTING	NO. 1	NO. 2	NO. 3	NO. 4	NO. 5	NO. 6	NO. 7	NO. 8	NO. 9	NO. 10
KMS-2000MLJ	OFF	OFF	OFF	OFF	OFF	OFF	OFF	ON	OFF	OFF

S5 DIP SWITCH SETTING	NO. 1	NO. 2	NO. 3	NO. 4	NO. 5
KMS-2000MLJ	OFF	OFF	OFF	OFF	OFF

X10 - HARVEST PUMP RELAY  
 X11 - X10 CONTROL RELAY  
 X12 - PUMP OUT RELAY



- WIRE COLOR CODE**
- BK -BLACK
  - BR -BROWN
  - DBU -DARK BLUE
  - GR -GREEN
  - GY -GRAY
  - O -ORANGE
  - P -PINK
  - R -RED
  - V -VIOLET
  - W -WHITE
  - Y -YELLOW
  - W/BR -WHITE/BROWN
  - W/R -WHITE/RED
  - W/BK -WHITE/BLACK

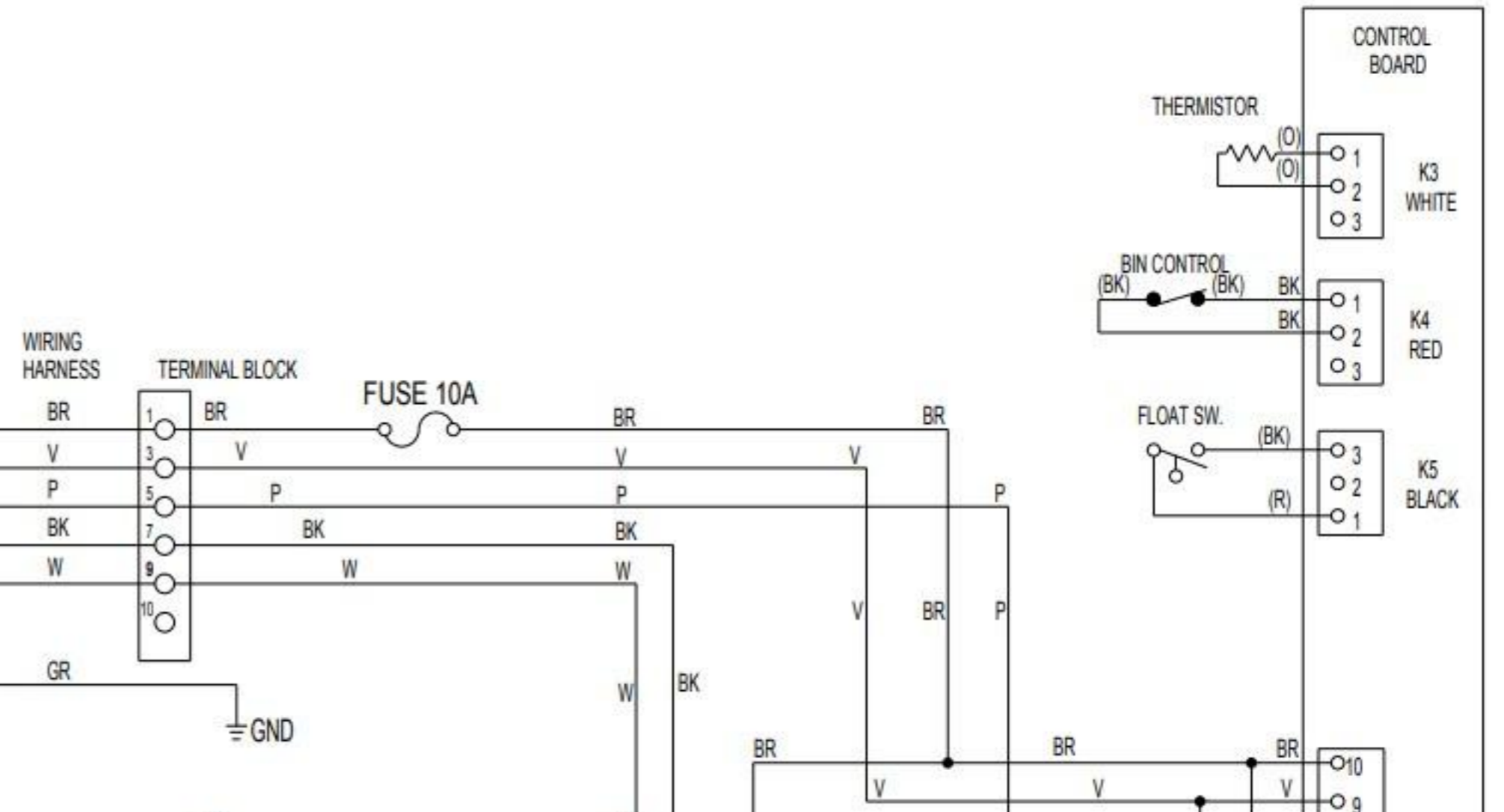
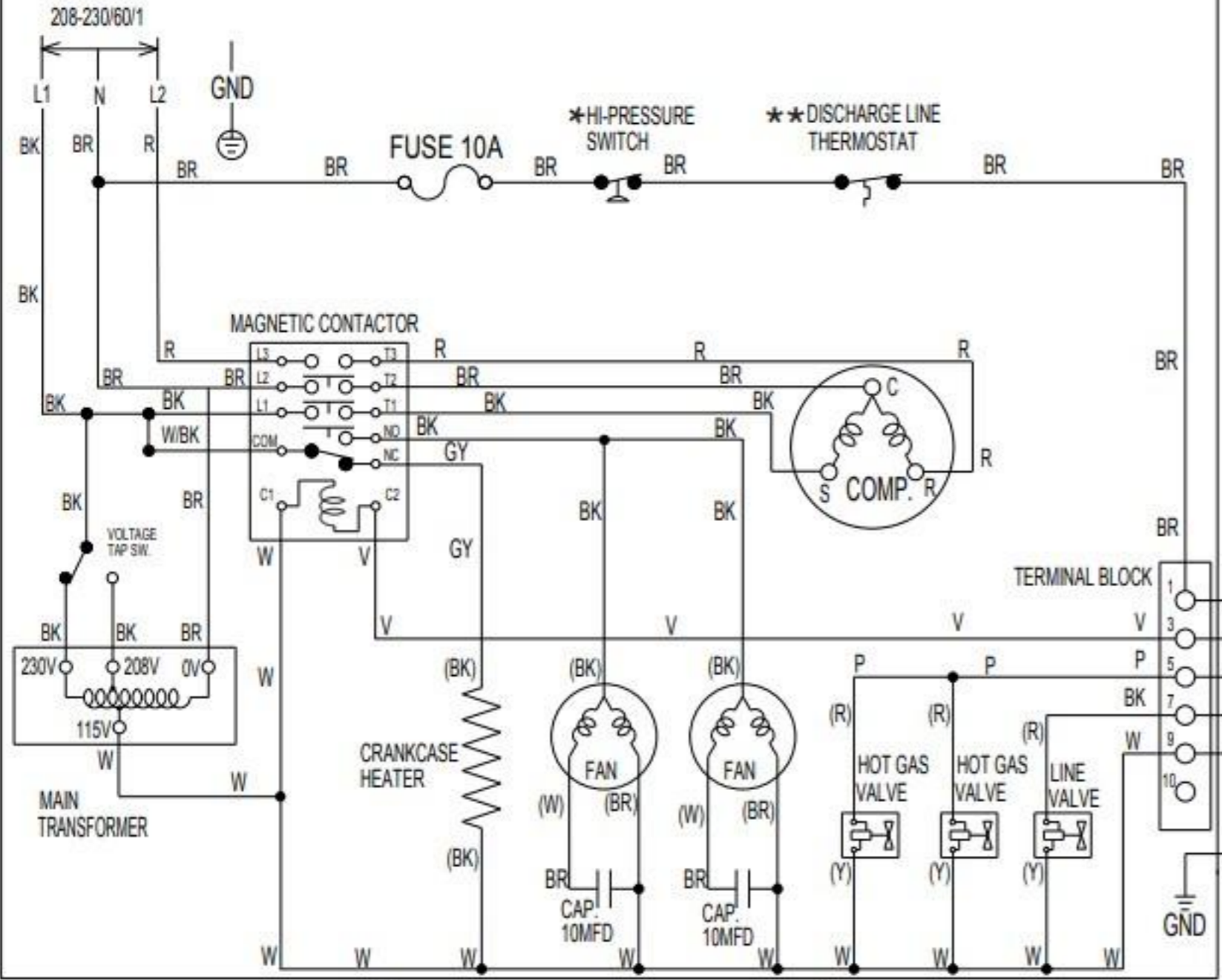


# SRK (3 PHASE)

S4 DIP SWITCH SETTING	NO. 1	NO. 2	NO. 3	NO. 4	NO. 5	NO. 6	NO. 7	NO. 8	NO. 9	NO. 10
KMS-2000MLJ	OFF	OFF	OFF	OFF	OFF	OFF	OFF	ON	OFF	OFF

S5 DIP SWITCH SETTING	NO. 1	NO. 2	NO. 3	NO. 4	NO. 5
KMS-2000MLJ	OFF	OFF	OFF	OFF	OFF

X10 - HARVEST PUMP RELAY  
 X11 - X10 CONTROL RELAY  
 X12 - PUMP OUT RELAY



- WIRE COLOR CODE**
- BK -BLACK
  - BR -BROWN
  - DBU -DARK BLUE
  - GR -GREEN
  - GY -GRAY
  - O -ORANGE
  - P -PINK
  - R -RED
  - V -VIOLET
  - W -WHITE
  - Y -YELLOW
  - W/BR -WHITE/BROWN
  - W/R -WHITE/RED
  - W/BK -WHITE/BLACK

