

# Hoshizaki America, Inc.

## Cabinet Stand

### Models

SD-200

SD-270

SD-450

SD-500

SD-700

SD-750



"A Superior Degree  
of Reliability"

[www.hoshizaki.com](http://www.hoshizaki.com)

## PARTS LIST



Number: 71361  
Issued: 3-13-2015

# CONTENTS

Auxiliary Codes.....	3
Note About Ordering Parts .....	4
A. Cabinet Stand Assembly .....	5
B. Door Assemblies .....	7
C. Accessories .....	9

## Auxiliary Codes

### SD-200

R-5 January 2006  
R-6 December 2006  
S-5 January 2007  
T-5 February 2008  
U-5 February 2009  
V-5 January 2010  
A-5 January 2011  
B-5 January 2012  
C-5 January 2013  
D-5 February 2014  
E-5 January 2015

### SD-270

R-5 January 2006  
R-6 November 2006  
S-5 January 2007  
T-5 January 2008  
U-5 January 2009  
V-5 January 2010  
A-5 January 2011  
B-5 January 2012  
C-5 January 2013  
D-5 February 2014  
E-5 January 2015

### SD-450

R-5 January 2006  
R-6 November 2006  
S-5 January 2007  
T-5 January 2008  
U-5 January 2009  
V-5 January 2010  
A-5 January 2011  
B-5 January 2012  
C-5 January 2013  
D-5 March 2014  
E-5 January 2015

### SD-500

R-5 January 2006  
R-6 November 2006  
S-5 January 2007  
T-5 January 2008  
U-5 February 2009  
V-5 January 2010  
A-5 January 2011  
B-5 January 2012  
C-5 January 2013  
D-5 January 2014  
E-5 January 2015

### SD-700

R-5 January 2006  
S-5 March 2007  
T-5 April 2008  
U-5 March 2009  
V-5 February 2010  
A-5 March 2011  
B-5 March 2012  
C-5 January 2013  
D-5 July 2014  
E-5 January 2015

### SD-750

R-5 January 2006  
R-6 December 2006  
S-5 February 2007  
T-5 January 2008  
U-5 January 2009  
V-5 March 2010  
A-5 February 2011  
B-5 January 2012  
C-5 January 2013  
D-5 January 2014  
E-5 February 2015

## **Auxiliary Code Breakdown**

The auxiliary code is the first two characters in the serial number. The first character indicates the year. Years progress or regress in alphabetical order. The series runs from "A" through "V" and the letters "I" and "O" are skipped. The second character indicates significant part changes within a year. Base is "5" and this number advances for each change. In cases where there is a letter in parentheses, this designates the month. This is the last character in the serial number. The series runs from "(A)" through "(M)" and the letter "(I)" is skipped. This designation is only included when identifying a parts change within an auxiliary code.

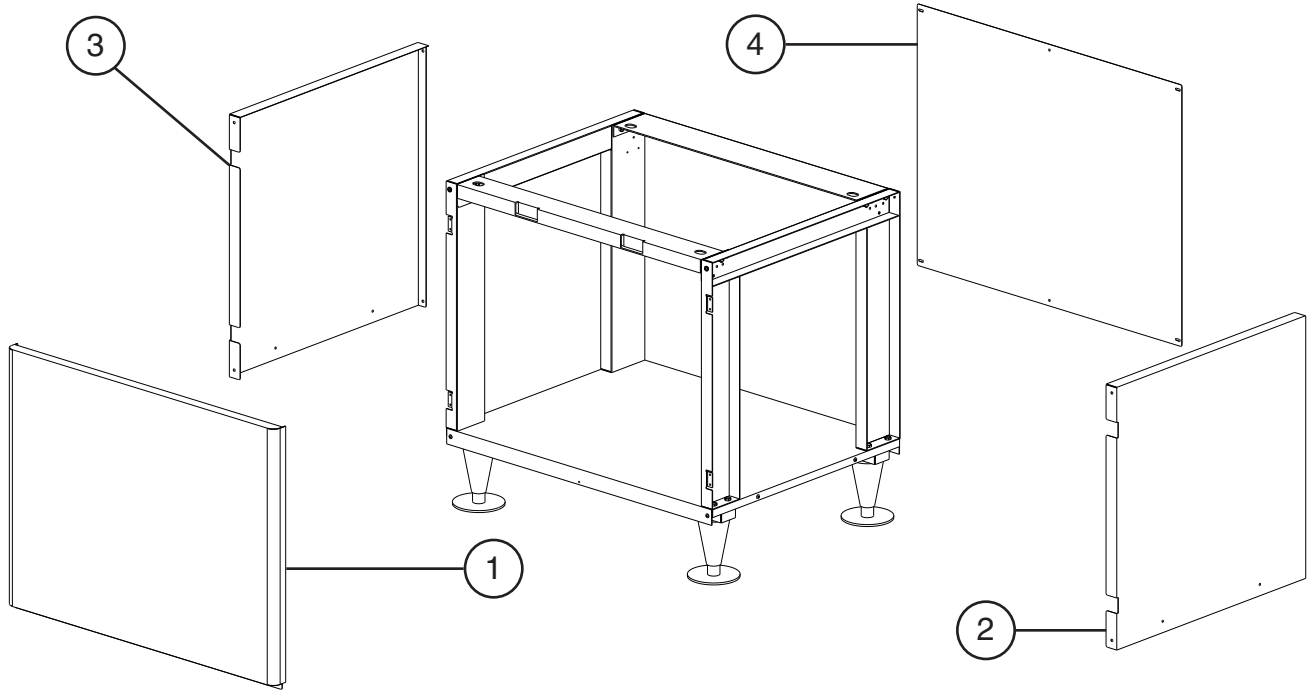
## **Note About Ordering Parts**

Most assemblies cannot be ordered as complete units; parts in the assemblies generally must be ordered separately.

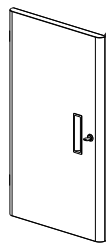
# A. Cabinet Stand Assembly

SD-200, SD-270, SD-450, SD-500, SD-700, SD-750

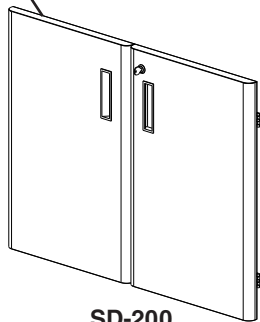
R-5 to E-5



For doors, see section "B. Door Assemblies."



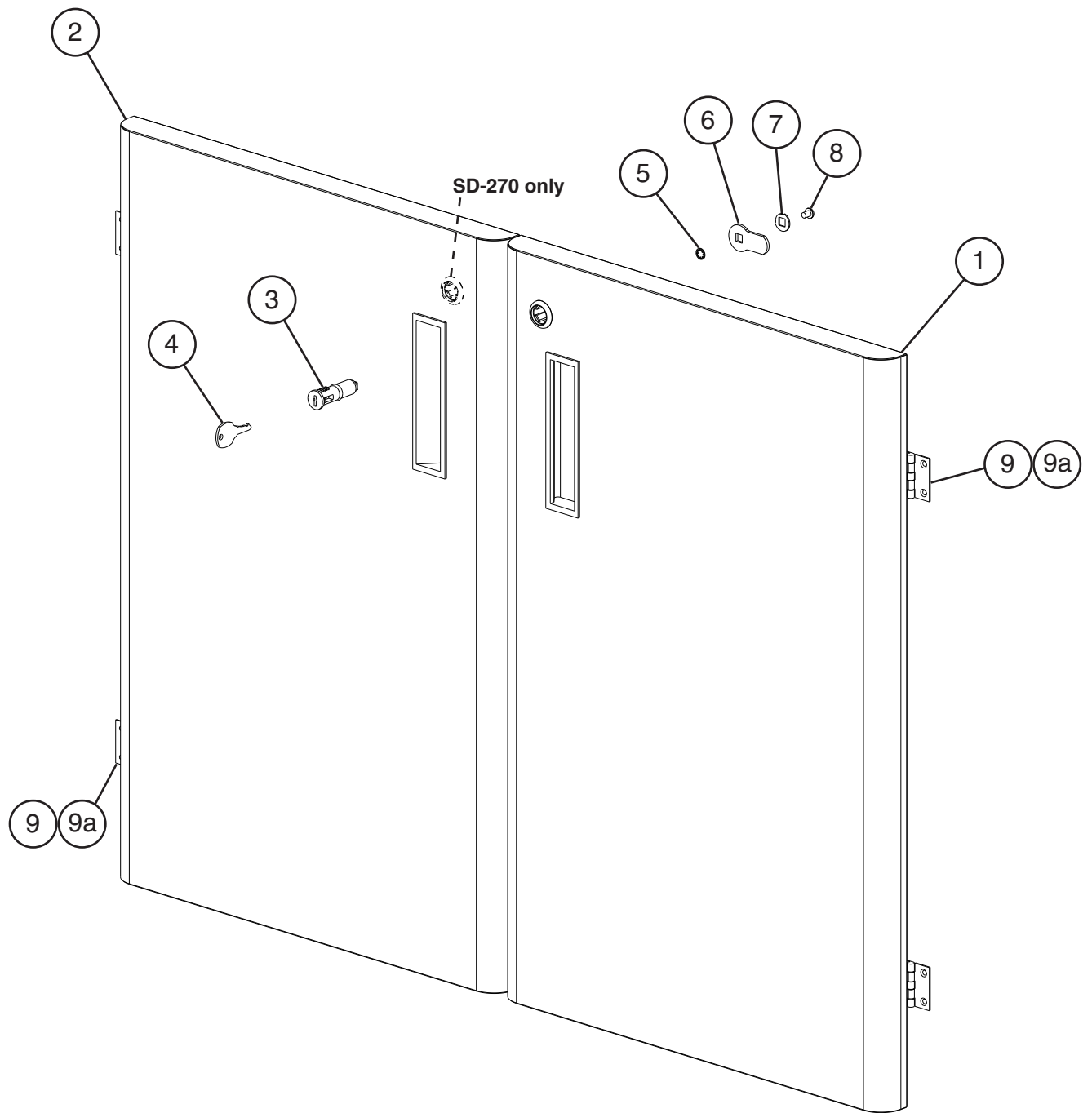
SD-270



SD-200  
SD-500  
SD-750

Title: A. Cabinet Stand Assembly Model: SD-200, SD-270, SD-450, SD-500, SD-700, SD-750											
Index No.	Description	Material or Model Number	Part Number	Required Number							
				R-5 to E-5							
1	Front Panel	SD-450	2A4002-01	1							
		SD-700	2A4003-01	1							
2	Right Side Panel	SD-200	3A4244-01	1							
		SD-270	3A3765-01	1							
		SD-450	3A3700-01	1							
		SD-700	3A3677-01	1							
		SD-750									
3	Left Side Panel	SD-200	3A4243-01	1							
		SD-270	3A3766-01	1							
		SD-450	3A3701-01	1							
		SD-700	3A3678-01	1							
		SD-750									
4	Rear Panel	SD-200	3A3802-01	1							
		SD-270	3A3767-01	1							
		SD-450	3A3702-01	1							
		SD-700	3A3679-01	1							
SD-750											

**B. Door Assemblies**  
**SD-200, SD-270, SD-500, SD-750**  
R-5 to E-5



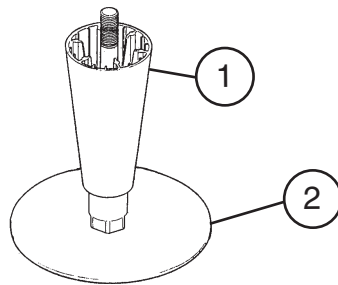
Title: B. Door Assemblies Model: SD-200, SD-270, SD-500, SD-750												
Index No.	Description	Material or Model Number	Part Number	Required Number								
				R-5 to E-5								
1	Right Door Assembly (includes items 3 through 8)	SD-200	3A3805A01	1								
		SD-500	3A3705A01	1								
		SD-750	3A3688A01	1								
2	Left Door Assembly/SD-270 (includes items 3 through 8)	SD-200	3A3806A01	1								
		SD-270	3A3770A01	1								
		SD-500	3A3706A01	1								
		SD-750	3A3689A01	1								
3	Lock Tumbler (includes item 4)		4A0462-01	1								
4	Lock Key		4A0460-01	1								
5	Lock Washer		4A0459-01	1								
6	Lock Stop Washer		4A0458-01	1								
7	Door Lock Cam		4A0228-01	1								
8	Lock Screw		4A0461-01	1								
9	Door Hinge	All Doors	4A3879-01	2								
9a	Flat Head Screw 4x8		7C22-0408	4								



**C. Accessories**

**SD-200, SD-270, SD-450, SD-500, SD-700, SD-750**

R-5 to E-5



Title: C. Accessories Model: SD-200, SD-270, SD-450, SD-500, SD-700, SD-750											
Index No.	Description	Material or Model Number	Part Number	Required Number							
				R-5 to E-5							
1	Adjustable Leg		4A2526-01	4							
2	Leg Protector		3A0134-01	4							