



# Sanitizing Sink Heater

---

## *3CS-B (BALANCED) Series*

*3CS-3B*

*3CS-6B*

*3CS-4B*

*3CS-9B*

---

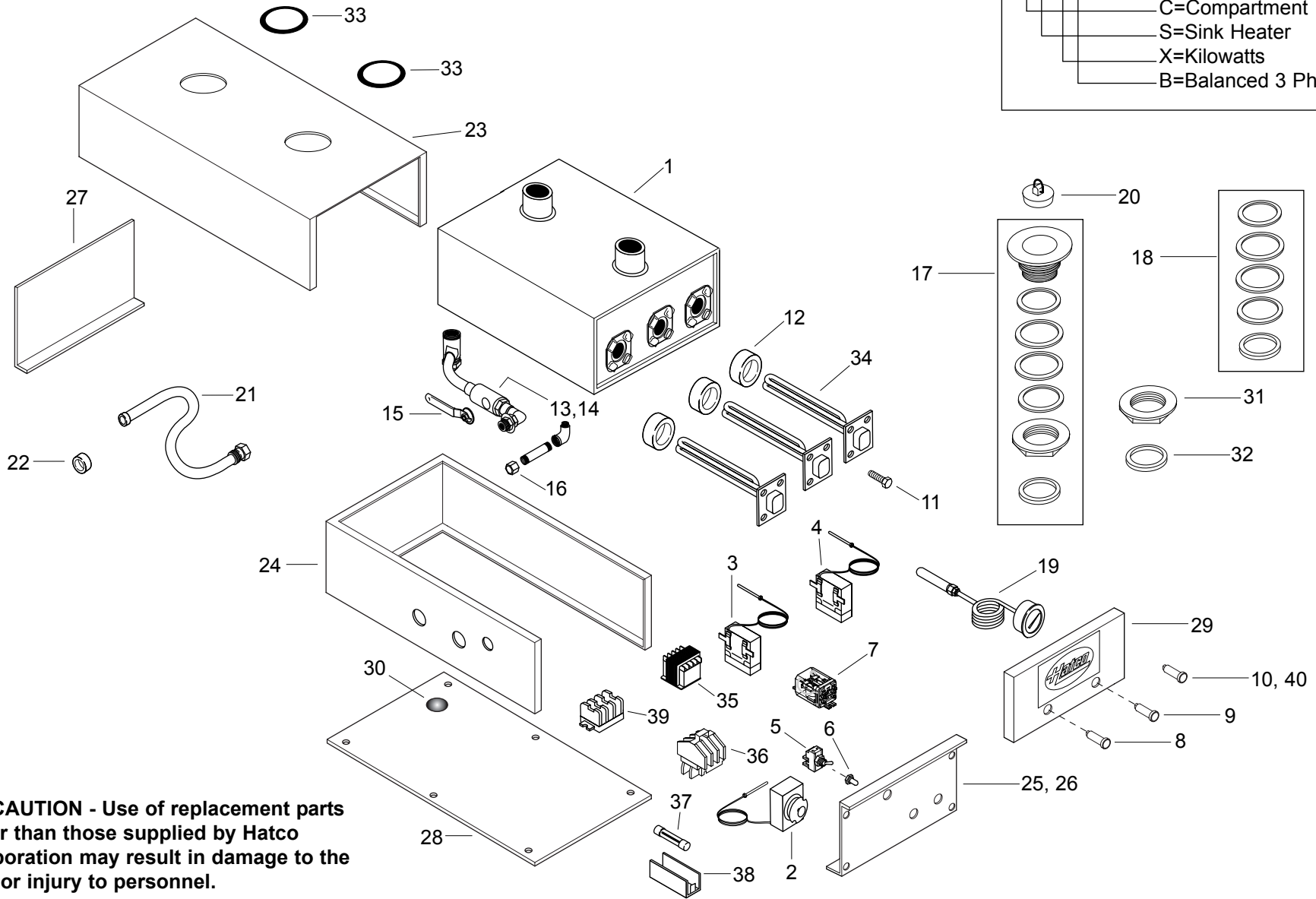
**REPLACEMENT  
PARTS LIST**

# HATCO 3CS-B SERIES SANITIZING SINK HEATERS

## Model Designation

3CS-XB

- 3=Three
- C=Compartment
- S=Sink Heater
- X=Kilowatts
- B=Balanced 3 Phase



**⚠ CAUTION - Use of replacement parts other than those supplied by Hatco Corporation may result in damage to the unit or injury to personnel.**

### PARTS COMMON TO ALL 3CS-B MODELS

ITEM	DESCRIPTION	PART NO.	QTY.	ITEM	DESCRIPTION	PART NO.	QTY.
1	Water Tank	R01.04.006.00	1	21	Flush Hose with Adaptor	05.06.010.00	1
2	Control, Thermostat 192°F (89°C)	02.16.003A.00	1	22	Adaptor for Hose	05.06.007.00	1
3	Overtemp, Thermostat 205°F (96°C)	02.16.004.00	1	23	Jacket, Painted Jacket, S.S.*	04.06.089.00 04.06.090.00	1 1
4	At-Temp, Thermostat 175°F (79°C) (optional)	02.16.004A.00	1	24	Base, Painted Base, S.S.*	04.06.113.00 04.06.114.00	1 1
5	On/Off Power Switch	R02.19.008A.00	1	25	Base Front, Painted Base Front, S.S.*	04.06.081.00 04.06.082.00	1 1
6	Rubber Boot, Toggle Switch	02.20.040.00	1	26	Base Front With Monitor Hole, Painted	04.06.083.00	1
7	Control Relay	R02.01.025.00	1		Base Front With Monitor Hole, S.S.*	04.06.084.00	1
8	Indicator Light, Red	02.19.151.00	1	27	Rear Plate, Painted Rear Plate, S.S.*	04.06.022.00 04.06.004A.00	1 1
9	Indicator Light, Green	02.19.150.00	1	28	Bottom Cover, Painted Bottom Cover, S.S.*	04.06.016.00 04.06.018.00	1 1
10	Indicator Light, Yellow	02.19.152.00	1	29	Front Cover For Two Indicator Lights, S.S.	04.06.073.00	1
11	Mounting Bolts, Elements	05.04.062.00	12		Front Cover For Three Indicator Lights, S.S.*	04.06.074.00	1
12	Gasket, Element	05.06.005.00	3	30	Drain Screen Plug, 1" (3 cm)	02.20.026.00	1
13	Ball Valve, Thread Fitting (old style)	03.02.001.00	1	31	Brass Locknut	05.30.009A.00	2
14	Ball Valve, Sweat Fitting (new style)	03.02.002.00	1	32	Union Gasket	05.06.009.00	2
15	Handle, Sump Drain	03.02.001B.00	1	33	Grommets, Black Molded Rubber	05.06.008.00	2
16	Drain Cap, Heating Compartment	R03.40.014.00	1				
17	Sink Strainer Assembly Kit	R05.30.009.00	2				
18	Strainer Gasket Kit	R00.05.0002.00	1†				
19	Temperature Monitor (optional)	03.01.005.00	1				
20	Stopper, Rubber	05.06.026.00	1				

\* Not Shown

† Includes all gaskets for both strainers

**Note:** S.S. is an abbreviation for stainless steel.

**PARTS SPECIFIC TO MODEL 3CS-3B**

ITEM	DESCRIPTION	208V	240V	380V	415V	380-415V CE	480V
		Three Phase	Three Phase	Three Phase	Three Phase	Three Phase	Three Phase
34	Heating Element (Qty. 3)	R02.06.300.00	R02.06.301.00	R02.06.452.00	R02.06.452.00	R02.06.452.00	R02.06.303.00
35	Transformer	--	---	R02.17.003.00	R02.17.002.00	R02.17.003.00	R02.17.002.00
36	Contactora (Qty. 1-2)	02.01.016.00	02.01.016.00	02.01.016.00	02.01.016.00	02.01.149.00	02.01.016.00
37	Fuse•	---	---	R02.03.001.02	R02.03.001.02	R02.03.001.02	R02.03.001.02
38	Fuse Holder	---	---	02.03.004.00	02.03.004.00	02.03.004.00	02.03.004.00
39	Terminal Block	R02.15.003.00	R02.15.003.00	R02.15.003	R02.15.003.00	R02.15.035.00	R02.15.003.00
40	Indicator Light, Blue	---	---	---	---	02.19.157.00	---
	Electrical Drawing	HS1-3578	HS1-3578	HC1-1423	HC1-1335	HS1-4698	HS1-3579

**PARTS SPECIFIC TO MODEL 3CS-4B**

ITEM	DESCRIPTION	208V	240V	380V	415V	380-415V CE	480V
		Three Phase	Three Phase	Three Phase	Three Phase	Three Phase	Three Phase
34	Heating Element (Qty. 3)	R02.06.450.00	R02.06.451.00	---	---	---	R02.06.452.00
35	Transformer	--	---	---	---	---	R02.17.002.00
36	Contactora (Qty. 1-2)	02.01.016.00	02.01.016.00	---	---	---	02.01.016.00
37	Fuse•	---	---	---	---	---	R02.03.001.02
38	Fuse Holder	---	---	---	---	---	02.03.004.00
39	Terminal Block	R02.15.003.00	R02.15.003.00	---	---	---	R02.15.003.00
40	Indicator Light, Blue	---	---	---	---	---	---
	Electrical Drawing	HS1-3578	HS1-3578	---	---	---	HS1-3579

Shaded area reflects export models only.

- Fuses only sold in packs of (2).

**PARTS SPECIFIC TO MODEL 3CS-6B**

ITEM	DESCRIPTION	208V	240V	380V	415V	380-415V CE	480V
		Three Phase	Three Phase	Three Phase	Three Phase	Three Phase	Three Phase
34	Heating Element (Qty. 3)	R02.06.301.00	R02.06.450.00	R02.06.303.00	R02.06.303.00	R02.06.303.00	R02.06.603.00
35	Transformer	--	---	R02.17.003.00	R02.17.002.00	R02.17.003.00	R02.17.002.00
36	Contactator (Qty. 1-2)	02.01.016.00	02.01.016.00	02.01.016.00	02.01.016.00	02.01.149.00	02.01.016.00
37	Fuse•	---	---	R02.03.001.02	R02.03.001.02	R02.03.001.02	R02.03.001.02
38	Fuse Holder	---	---	02.03.004.00	02.03.004.00	02.03.004.00	02.03.004.00
39	Terminal Block	R02.15.003.00	R02.15.003.00	R02.15.003.00	R02.15.003.00	R02.15.035.00	R02.15.003.00
40	Indicator Light, Blue	---	---	---	---	02.19.157.00	---
	Electrical Drawing	HS1-3574	HS1-3575	HC1-1423	HC1-1988	HS1-4701	HS1-3576

**PARTS SPECIFIC TO MODEL 3CS-9B**

ITEM	DESCRIPTION	208V	240V	380V	415V	380-415V CE	480V
		Three Phase	Three Phase	Three Phase	Three Phase	Three Phase	Three Phase
34	Heating Element (Qty. 3)	R02.06.300.00	R02.06.301.00	R02.06.452.00	R02.06.301.00	R02.06.452.00	R02.06.303.00
35	Transformer	--	---	R02.17.003.00	R02.17.002.00	R02.17.003.00	R02.17.002.00
36	Contactator (Qty. 1-2)	02.01.016.00	02.01.016.00	02.01.016.00	02.01.016.00	02.01.149.00	02.01.016.00
37	Fuse•	---	---	R02.03.001.02	R02.03.001.02	R02.03.001.02	R02.03.001.02
38	Fuse Holder	---	---	02.03.004.00	02.03.004.00	02.03.004.00	02.03.004.00
39	Terminal Block	R02.15.003.00	R02.15.003.00	R02.15.003.00	R02.15.003.00	R02.15.035.00	R02.15.003.00
40	Indicator Light, Blue	---	---	---	---	02.19.157.00	---
	Electrical Drawing	HS1-3568	HS1-3568	HC1-1423	HC1-1335	HS1-4690	HS1-3569

Shaded area reflects export models only.

- Fuses only sold in packs of (2).

**NOTES**

---

---

---

---

---

---

---

---

---

---

---

---

---

---

---

---

---

---

---

---

---

---

**NOTES**

---

---

---

---

---

---

---

---

---

---

---

---

---

---

---

---

---

---

---

---

---

---

---

---

---

## HATCO AUTHORIZED PARTS DISTRIBUTORS

---

---

### ALABAMA

Jones McLeod Appl. Svc.  
Birmingham 205-251-0159

### ARIZONA

Auth. Comm. Food Equip.  
Phoenix 602-234-2443  
Byassee Equipment Co.  
Phoenix 602-252-0402

### CALIFORNIA

Industrial Electric  
Huntington Beach 714-379-7100  
Chapman Appl. Service  
San Diego 619-298-7106  
P & D Appliance  
S. San Francisco 650-635-1900

### COLORADO

All City Service  
Denver 303-454-9500  
Hawkins Commercial Appliance  
Englewood 303-781-5548

### DELAWARE

Food Equipment Service  
Wilmington 302-996-9363

### FLORIDA

Whaley Foodservice Repair  
Jacksonville 904-725-7800  
Nass Service Co., Inc.  
Orlando 407-425-2681  
B.G.S.I.  
Pompano Beach 954-971-0456  
Comm. Appliance Service  
Tampa 813-663-0313

### GEORGIA

Southeastern Rest. Svc.  
Norcross 770-446-6177

### HAWAII

Burney's Comm. Service, Inc.  
Honolulu 808-848-1466  
Food Equip Parts & Service  
Honolulu 808-847-4871

### ILLINOIS

Parts Town  
Broadview 708-865-7278  
Eichenauer Elec. Service  
Decatur 217-429-4229  
Midwest Elec. Appl. Service  
Elmhurst 630-279-8000  
Cone's Repair Service  
Moline 309-797-5323

### INDIANA

Comm. Parts & Service, Inc.  
Indianapolis 317-545-9655

### IOWA

Electric Motor Service Co.  
Davenport 319-323-1823

### KENTUCKY

Comm. Parts & Service, Inc.  
Louisville 502-367-1788

### LOUISIANA

Chandlers Parts & Service  
Baton Rouge 225-272-6620

### LOUISIANA (Continued)

Bana Comm. Parts, Inc.  
Shreveport 318-631-6550

### MARYLAND

Electric Motor Service  
Baltimore 410-467-8080  
GCS Service, Inc.  
Silver Spring 301-585-7550

### MASSACHUSETTS

Ace Service Co., Inc.  
Needham 781-449-4220

### MICHIGAN

Commercial Kitchen Service  
Bay City 517-893-4561  
Bildons Appliance Service  
Detroit 248-478-3320  
Midwest Food Equip. Service  
Grandville 616-261-2000

### MINNESOTA

GCS Service  
Minneapolis 612-546-4221

### MISSOURI

GCS Service, Inc.  
Kansas City 816-920-5999  
Commercial Kitchen Services  
St. Louis 314-890-0700  
Kaemmerlen Parts & Service  
St. Louis 314-535-2222

### NEBRASKA

Anderson Electric  
Omaha 402-341-1414

### NEVADA

Burney's Commercial  
Las Vegas 702-736-0006

### NEW JERSEY

Jay Hill Repair  
Fairfield 973-575-9145  
Service Plus  
Flanders 973-691-6300

### NEW YORK

Acme American Repairs, Inc.  
Brooklyn 718-456-6544  
Alpro Service Co.  
Brooklyn 718-386-2515  
Appliance Installation  
Buffalo 716-884-7425  
Northern Parts Dist.  
Plattsburgh 518-563-3200  
J. B. Brady, Inc.  
Syracuse 315-422-9271

### NORTH CAROLINA

Authorized Appliance  
Charlotte 704-377-4501

### OHIO

Akron/Canton Comm. Svc. Inc.  
Akron 330-753-6635  
Certified Service Center  
Cincinnati 513-772-6600  
GCS Service  
Columbus 614-476-3225  
Electrical Appl. Repair Service  
Independence 216-459-8700

### OHIO (Continued)

E. A. Wichman Co.  
Toledo 419-385-9121

### OKLAHOMA

Hagar Rest. Service, Inc.  
Oklahoma City 405-235-2184  
Krueger, Inc.  
Oklahoma City 405-528-8883

### OREGON

Bressie Electric Co.  
Portland 503-231-7171  
Ron's Service, Inc.  
Portland 503-624-0890

### PENNSYLVANIA

Authorized Factory Service  
Coraopolis 412-262-2330  
FAST Comm. Appl. Service  
Philadelphia 215-288-4800  
GCS Service, Inc.  
Pittsburgh 412-787-1970  
K & D Service Co.  
Harrisburg 717-236-9039  
Elmer Schultz Services  
Philadelphia 215-627-5401  
Electric Repair Co.  
Reading 610-376-5444

### RHODE ISLAND

Marshall Electric Co.  
Providence 401-331-1163

### SOUTH CAROLINA

Whaley Foodservice Repair  
W. Columbia 803-791-4420

### TENNESSEE

Camp Electric  
Memphis 901-527-7543

### TEXAS

City Kitchen Service Co.  
Austin 512-719-4445  
Stove Parts Supply  
Fort Worth 817-831-0381  
Armstrong Repair Service  
Houston 713-666-7100  
Commercial Kitchen Repair Co.  
San Antonio 210-735-2811  
San Antonio Rest. Equip.  
San Antonio 210-824-3271

### UTAH

Peterson's Commercial Parts & Svc.  
Salt Lake City 801-487-3653

### VIRGINIA

Daubers  
Norfolk 757-855-4097  
Daubers  
Springfield 703-866-3600

### WASHINGTON

Restaurant Appl. Service  
Seattle 206-524-8200

### WISCONSIN

A.S.C., Inc.  
Madison 608-246-3160  
A.S.C., Inc.  
Milwaukee 414-543-6460

---

---

## HATCO CORPORATION

P.O. Box 340500, Milwaukee, WI 53234-0500 U.S.A.

(800) 558-0607 (414) 671-6350

Parts & Service Fax (800) 690-2966 Int'l. Fax (414) 671-3976

www.hatcocorp.com