



IMPORTANT NOTE:

Locate the Specification Label on unit to determine exact Model Name and electrical specifications. This information is needed to identify the correct replacement parts. See exploded view illustration(s) for Specification Label location.

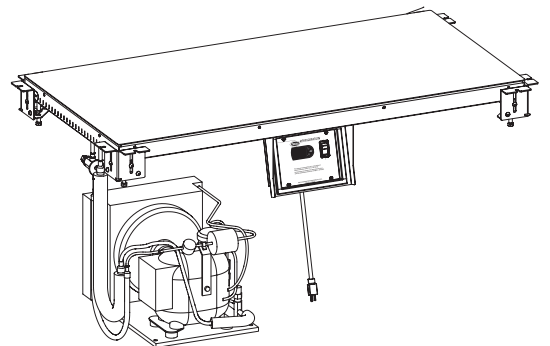
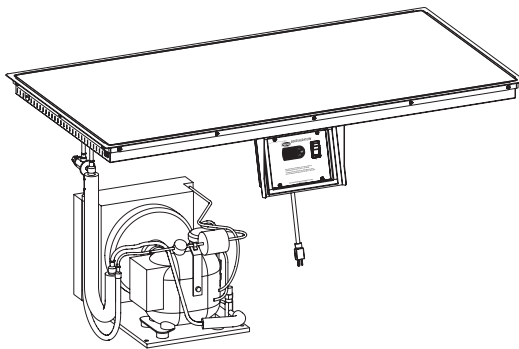


Use of replacement parts other than those supplied by Hatco Corporation may result in damage to unit or injury to personnel and will void all warranties.

Built-In Cold Shelves

CSU, CSSBF, CSBF, and CSSB Series

<u>Model Name</u>	<u>Page</u>	<u>Model Name</u>	<u>Page</u>
CSBF	2	CSBFX.....	2
CSSB.....	2	CSSBX	2
CSSBF.....	2	CSSBFX	2
CSU	2	CSUX.....	2
CSBFR	2	Control Enclosure	3
CSSBR	2	Condensing Unit..	4–10
CSSBFR.....	2		
CSUR	2		



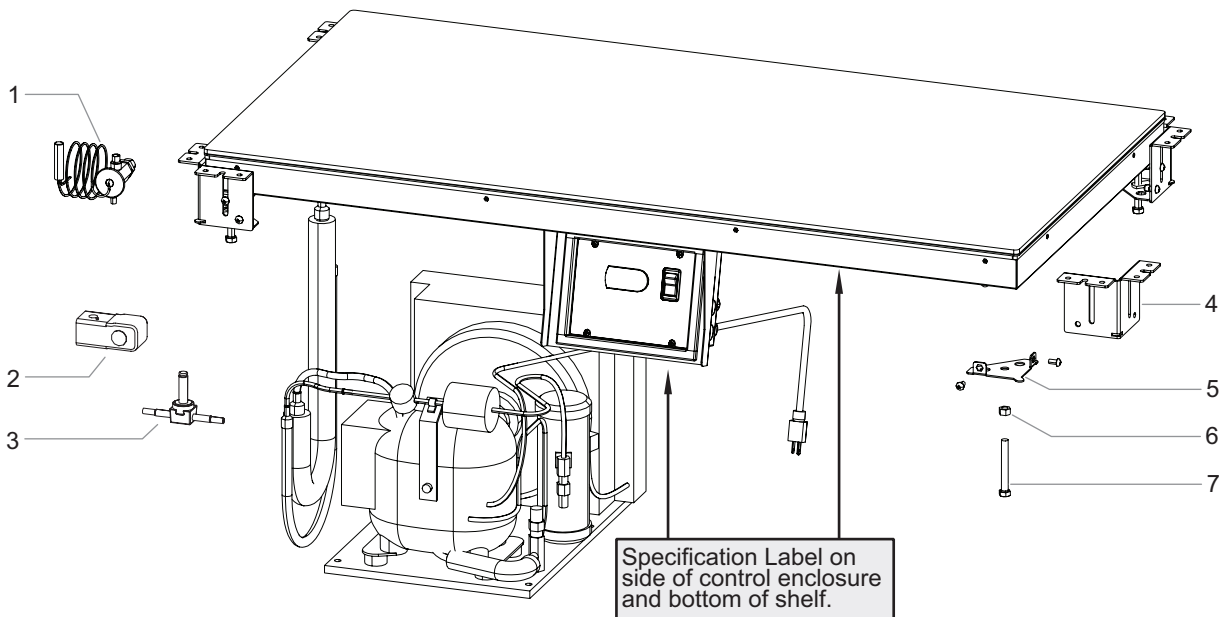
Replacement Parts List

Built-In Cold Shelves CSU, CSSBF, CSBF, and CSSB Models *

Main Assembly

Item Description	Part No.	Qty.	Item Description	Part No.	Qty.
1 TXV Valve *			2 Solenoid Coil (X Models only)		
R-513A Refrigerant Models			120 V	03.02.082.00	1
CSU/CSSBF/CSBF-24	03.02.101.00	1	220/230/240 V	03.02.084.00	1
CSU/CSSBF/CSBF-36	03.02.101.00	1	3 Solenoid Valve (X Models only)	03.02.081.00	1
CSU/CSSBF/CSBF-48-F and -48-I	03.02.101.00	1	4 Mounting Bracket, Leveling	04.47.351.00	4
CSSB-2418, -3018, -3618, -4818	03.02.101.00	1	5 Mounting Bracket, Support	04.47.354.00	4
CSU/CSSBF/CSBF-48-S	03.02.102.00	1	6 Nut, Leveling Bolt	05.04.028.00	4
R-404A Refrigerant Models			7 Leveling Bolt	05.04.867.00	4
CSU/CSSBF/CSBF-24	03.02.075.00	1	8 Thermal Mastic (not shown)	R05.01.071.00	1
CSU/CSSBF/CSBF-36	03.02.075.00	1	Wiring Diagram		
CSU/CSSBF/CSBF-48-F and -48-I	03.02.075.00	1	Standard 120 V Models	10-01-1099	
CSSB-2418, -3018, -3618, -4818	03.02.075.00	1	"R" and "X" Models	10-01-1101	
CSU/CSSBF/CSBF-48-S	03.02.076.00	1			

* Includes "R" (remote) and "X" (not supplied with a condensing unit) models.

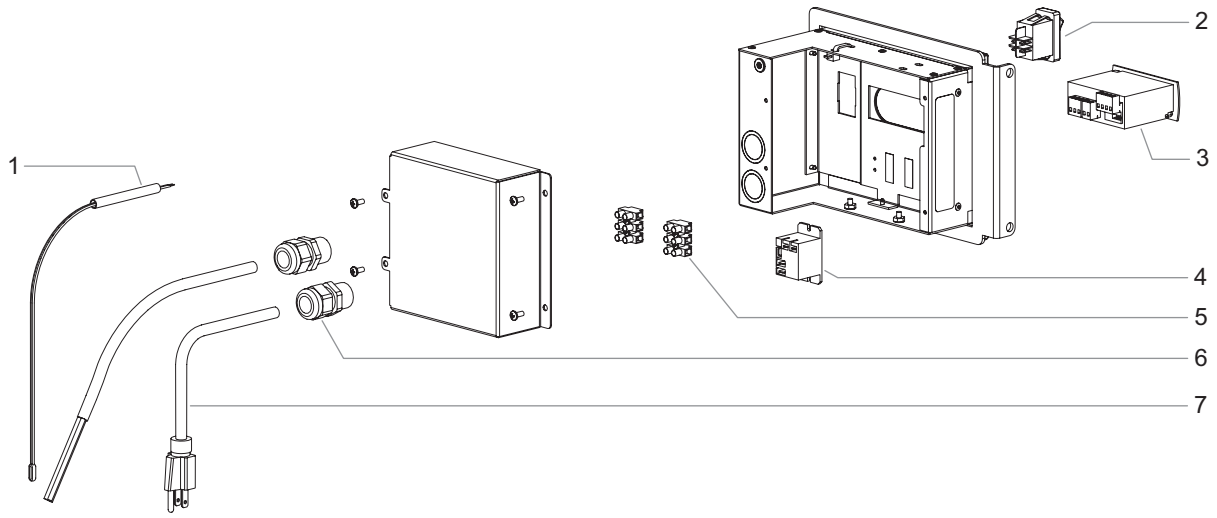


Control Enclosure — CSU, CSSBF, CSBF, and CSSB Models

Item Description	Part No.	Qty.
1 Temperature Probe	02.01.387.00	1
2 Switch, Rocker **	02.19.261.00	1
3 Controller, Electronic w/ Probe		
120 V	R02.01.375.12	1
220/230/240 V	R02.01.406.08	1
4 Relay		
120 V	02.01.088.00	1
220/230/240 V	02.01.105.00	1
5 Terminal Block	R02.15.030.00	2

Item Description	Part No.	Qty.
6 Cord Grip	R02.20.259.00	2
7 Power Cord		
NEMA 5-15P	02.18.284.00	1
Schuko CEE 7/7	02.18.077.00	1
BS-1363 (6 A)	02.18.066.00	1
BS-1363 (13 A)	02.18.068.00	1
AS-3112	02.18.207.00	1
8 Conversion Kit (includes items 1–7, control box, and wiring diagram)	R00.02.0094.00	1

** Units equipped with a condensing unit that have a Date Code of 2401 or older, use P/N 02.19.015.00. Remote units or units supplied without a condensing unit from Hatco use P/N 02.19.015.00 only.

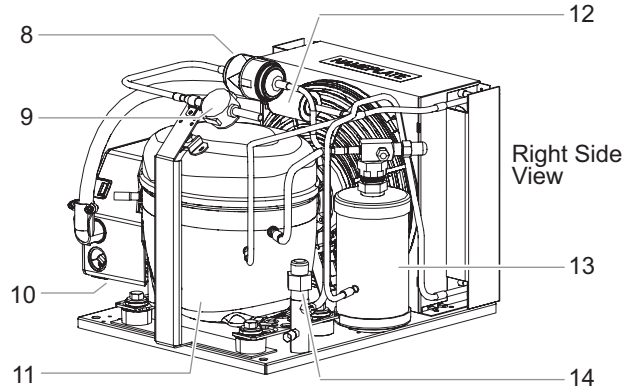
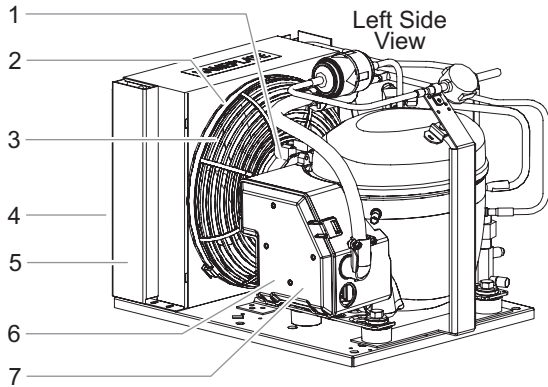


NOTE: The last four digits in a ten digit numerical serial number are the manufacturing date code.

Example: Serial number 962506**2231** has a date code of "2231" which indicates the following:



Condensing Unit R513A – Emerson/Copeland Model M7 (CSU, CSSBF, CSBF, and CSSB Models)



Item	Description	Part No.	Qty.
1	Fan Motor, Condensing Unit 120 V, 60 Hz CSU/CSSBF/CSBF-24, -36, -48-F, -48-I, and all CSSB Models	03.13.071.00	1
		03.13.143.00	
		03.13.093.00	
		03.13.096.00	
		03.13.100.00	
2	Fan Guard, Condensing Unit 120 V, 60 Hz CSU/CSSBF/CSBF-24, -36, -48-F, -48-I, and all CSSB Models	03.13.074.00	1
		03.13.103.00	
		03.13.074.00	
		03.13.098.00	
		03.13.103.00	
3	Fan Blade, Condensing Unit 120 V, 60 Hz CSU/CSSBF/CSBF-24, -36, -48-F, -48-I, and all CSSB Models	03.13.005.00	1
		03.13.101.00	
		03.13.005.00	
		03.13.022.00	
		03.13.101.00	

Item	Description	Part No.	Qty.
4	Air Condenser, Condensing Unit 120 V, 60 Hz CSU/CSSBF/CSBF-24, -36-F CSSB-2418, -3018, -3618 Models	03.13.078.00	1
		03.13.073.00	
		03.13.144.00	
		03.13.073.00	
		03.13.077.00	
		03.13.073.00	
		03.13.078.00	
		03.13.102.00	
		03.13.029.00	
		03.13.026.00	
5	Condenser Shroud, Condensing Unit 120 V, 60 Hz CSU/CSSBF/CSBF-24, -36, -48-F, -48-I, and all CSSB Models	03.13.029.00	1
		03.13.026.00	
		03.13.029.00	
		03.13.026.00	
		03.13.031.00	

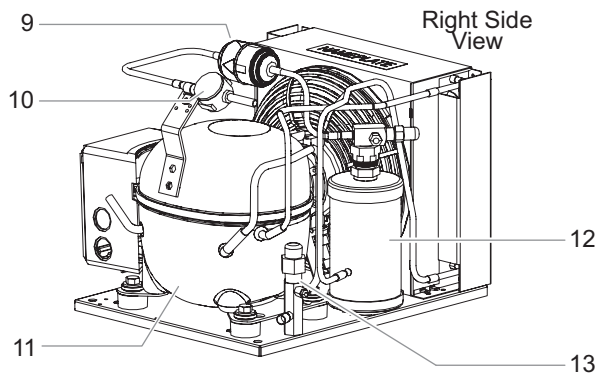
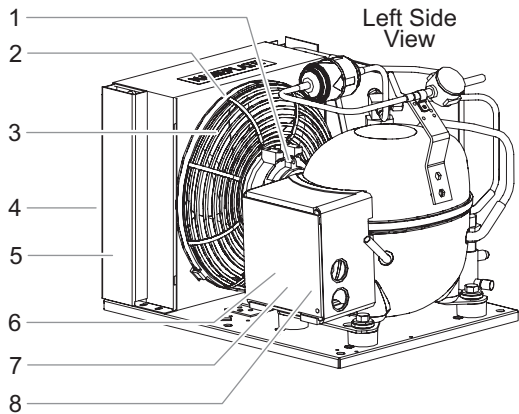
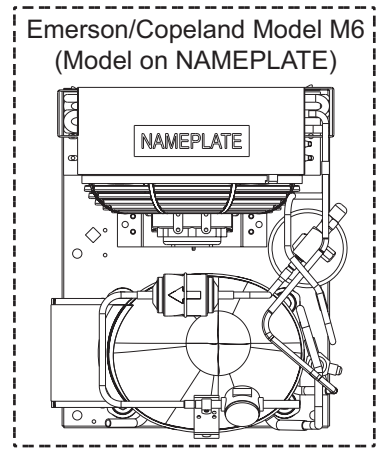
The shaded areas contain part information for International models only.

Item	Description	Part No.	Qty.
6	Relay, Compressor		
	120 V, 60 Hz CSU/CSSBF/CSBF-24, -36-F CSSB-2418 , -3018, -3618 Models	03.13.134.00	1
	120 V, 60 Hz CSU/CSSBF/ CSBF-36-I , -36-S, -48-F, -48-I, and CSSB-4818	03.13.138.00	1
	120 V, 60 Hz CSU/CSSBF/ CSBF-48-S	03.13.147.00	1
	220/230/240 V, 60 Hz CSU/CSSBF/CSBF-24, -36, -48-F, -48-I, and CSSB Models	03.13.157.00	1
	220/230/240 V, 60 Hz CSU/CSSBF/ CSBF-48-S	03.13.161.00	1
	220/230/240 V, 50 Hz CSU/CSSBF/CSBF-24, -36F CSSB-2418 , -3018, -3618	03.13.157.00	1
	220/230/240 V, 50 Hz CSU/CSSBF/ CSBF-36-I , -36-S, -48-F, -48-I, and CSSB-4818	03.13.154.00	1
7	Starter, Compressor		
	120 V, 60 Hz CSU/CSSBF/CSBF-24, -36-F CSSB-2418 , -3018, -3618 Models	03.13.135.00	1
	120 V, 60 Hz CSU/CSSBF/ CSBF-36-I , -36-S, -48-F, -48-I, and CSSB-4818	03.13.139.00	1
	120 V, 60 Hz CSU/CSSBF/ CSBF-48-S	03.13.148.00	1
	220/230/240 V, 60 Hz CSU/CSSBF/CSBF-24, -36, -48-F, -48-I, and CSSB Models	03.13.158.00	1
	220/230/240 V, 60 Hz CSU/CSSBF/ CSBF-48-S	03.13.162.00	1
	220/230/240 V, 50 Hz CSU/CSSBF/CSBF-24, -36F CSSB-2418 , -3018, -3618	03.13.158.00	1
	220/230/240 V, 50 Hz CSU/CSSBF/ CSBF-36-I , -36-S, -48-F, -48-I, and CSSB-4818	03.13.091.00	1
	220/230/240 V, 50 Hz CSU/CSSBF/ CSBF-48-S	03.13.091.00	1
8	Filter Drier		
	120 V, 50/60 Hz CSU/CSSBF/CSBF-24, -36, -48-F, -48-I, and all CSSB Models (1/4" I.D. SWT Connection)	03.13.003.00	1
	120 V, 60 Hz CSU/CSSBF/ CSBF-48-S (3/8" I.D. SWT Connection)	03.13.142.00	1
	220/230/240 V, 50/60 Hz (1/4" I.D. SWT Connection)	03.13.003.00	1
9	Sight Glass		
	120 V, 60 Hz CSU/CSSBF/CSBF-24, -36, -48-F, -48-I, and all CSSB Models (1/4" I.D. SWT Connection)	03.13.002.00	1
	120 V, 60 Hz CSU/CSSBF/ CSBF-48-S (3/8" I.D. SWT Connection)	03.13.141.00	1
	220/230/240 V, 50/60 Hz	03.13.002.00	1

Item	Description	Part No.	Qty.
10	External Protector		
	120 V, 60 Hz CSU/CSSBF/CSBF-24, -36, -48-F, -48-I, and all CSSB Models	03.13.136.00	1
	120 V, 60 Hz CSU/CSSBF/ CSBF-48-S	03.13.140.00	1
	220/230/240 V, 60 Hz CSU/CSSBF/CSBF-24, -36, -48-F, -48-I, and CSSB Models	03.13.159.00	1
	220/230/240 V, 60 Hz CSU/CSSBF/ CSBF-48-S	03.13.164.00	1
	220/230/240 V, 50 Hz CSU/CSSBF/CSBF-24, -36F CSSB-2418 , -3018, -3618	03.13.159.00	1
	220/230/240 V, 50 Hz CSU/CSSBF/ CSBF-36-I , -36-S, -48-F, -48-I, and CSSB-4818	03.13.155.00	1
	220/230/240 V, 50 Hz CSU/CSSBF/ CSBF-48-S	03.13.155.00	1
11	Compressor		
	120 V, 60 Hz CSU/CSSBF/CSBF-24, -36-F CSSB-2418 , -3018, -3618 Models	03.13.133.00	1
	120 V, 60 Hz CSU/CSSBF/ CSBF-36-I , -36-S, -48-F, -48-I, and CSSB-4818	03.13.137.00	1
	120 V, 60 Hz CSU/CSSBF/ CSBF-48-S	03.13.146.00	1
	220/230/240 V, 60 Hz CSU/CSSBF/CSBF-24, -36, -48-F, -48-I, and CSSB Models	03.13.156.00	1
	220/230/240 V, 60 Hz CSU/CSSBF/ CSBF-48-S	03.13.160.00	1
	220/230/240 V, 50 Hz CSU/CSSBF/CSBF-24, -36F CSSB-2418 , -3018, -3618	03.13.156.00	1
	220/230/240 V, 50 Hz CSU/CSSBF/ CSBF-36-I , -36-S, -48-F, -48-I, and CSSB-4818	03.13.153.00	1
	220/230/240 V, 50 Hz CSU/CSSBF/ CSBF-48-S	03.13.153.00	1
12	Pressure Control	03.13.108.00	1
13	Accumulator (Receiver—includes attached service valve) †	03.13.075.00	1
14	Valve, Service		
	120 V, 60 Hz CSU/CSSBF/CSBF-24, -36, -48-F, -48-I, and all CSSB Models	03.13.012.00	1
	120 V, 60 Hz (3/8" I.D. SWT Inlet) CSU/CSSBF/ CSBF-48-S	03.13.012.00	1
	120 V, 60 Hz (1/2" I.D. SWT Inlet) CSU/CSSBF/ CSBF-48-S	03.13.145.00	1
	220/230/240 V, 50/60 Hz	03.13.012.00	1
15	Run Capacitor (not shown)		
	120 V, 60 Hz CSU/CSSBF/ CSBF-48-S	03.13.149.00	1
	220/230/240 V, 60 Hz CSU/CSSBF/ CSBF-48-S	03.13.163.00	1
16	Cap and Relay Assembly (not shown)		
	120 V, 60 Hz CSU/CSSBF/ CSBF-48-S	03.13.150.00	1

† The attached service valve on the Accumulator is not replaceable. If the valve malfunctions, the entire Accumulator must be replaced.

**Condensing Unit with R-404A Refrigerant
Emerson/Copeland Model M6
(CSU, CSSBF, CSBF, and CSSB Models)**



Item	Description	Part No.	Qty.
1	Fan Motor, Condensing Unit 120 V, 60 Hz	03.13.071.00	1
	220/230/240 V, 50/60 Hz CSU/CSSBF/CSBF-24, -36-F, -48-S CSSB-2418, -3018, -3618	03.13.093.00	1
	220/230/240 V, 50 Hz CSU/CSSBF/CSBF-36-I, -36-S, -48-F, -48-I, and CSSB-4818	03.13.100.00	1
2	Fan Guard, Condensing Unit 120 V, 60 Hz	03.13.074.00	1
	220/230/240 V, 50/60 Hz CSU/CSSBF/CSBF-24, -36-F, -48-S CSSB-2418, -3018, -3618	03.13.074.00	1
	220/230/240 V, 50 Hz CSU/CSSBF/CSBF-36-I, -36-S, -48-F, -48-I, and CSSB-4818	03.13.103.00	1
3	Fan Blade, Condensing Unit 120 V, 60 Hz	03.13.005.00	1
	220/230/240 V, 50/60 Hz CSU/CSSBF/CSBF-24, -36-F, -48-S CSSB-2418, -3018, -3618	03.13.005.00	1
	220/230/240 V, 50 Hz CSU/CSSBF/CSBF-36-I, -36-S, -48-F, -48-I, and CSSB-4818	03.13.101.00	1

Item	Description	Part No.	Qty.
4	Air Condenser, Condensing Unit 120 V, 60 Hz	03.13.078.00	1
	220/230/240 V, 50/60 Hz CSU/CSSBF/CSBF-24, -36-F, -48-S CSSB-2418, -3018, -3618	03.13.078.00	1
	220/230/240 V, 50 Hz CSU/CSSBF/CSBF-36-I, -36-S, -48-F, -48-I, and CSSB-4818	03.13.102.00	1
5	Condenser Shroud, Condensing Unit 120 V, 60 Hz	03.13.152.00	1
	220/230/240 V, 50/60 Hz CSU/CSSBF/CSBF-24, -36-F, -48-S CSSB-2418, -3018, -3618	03.13.029.00	1
	220/230/240 V, 50 Hz CSU/CSSBF/CSBF-36-I, -36-S, -48-F, -48-I, and CSSB-4818	03.13.031.00	1

NOTE: The last four digits in a ten digit numerical serial number are the manufacturing date code: 962506**2204**

Year 2022 ————
Week Four ————

Item	Description	Part No.	Qty.
6	Relay, Compressor		
	120 V, 60 Hz	03.13.076.00	1
	220/230/240 V, 60 Hz	03.13.107.00	1
	220/230/240 V, 50 Hz CSU/CSSBF/CSBF-24, -36F CSSB-2418, -3018, -3618	03.13.045.00	1
	220/230/240 V, 50 Hz CSU/CSSBF/CSBF-36-I, -36-S, -48-F, -48-I, and CSSB-4818	03.13.104.00	1
	220/230/240 V, 50 Hz CSU/CSSBF/CSBF-48-S	03.13.090.00	1
7	Starter, Compressor		
	120 V, 60 Hz	03.13.020.00	1
	220/230/240 V, 60 Hz	03.13.105.00	1
	220/230/240 V, 50 Hz CSU/CSSBF/CSBF-24, -36F CSSB-2418, -3018, -3618	03.13.046.00	1
	220/230/240 V, 50 Hz CSU/CSSBF/CSBF-36-I, -36-S, -48-F, -48-I, and CSSB-4818	03.13.105.00	1
	220/230/240 V, 50 Hz CSU/CSSBF/CSBF-48-S	03.13.091.00	1
8	External Protector		
	120 V, 60 Hz	03.13.128.00	1
	220/230/240 V, 60 Hz	03.13.123.00	1
	220/230/240 V, 50 Hz CSU/CSSBF/CSBF-24, -36F CSSB-2418, -3018, -3618	03.13.130.00	1
	220/230/240 V, 50 Hz CSU/CSSBF/CSBF-36-I, -36-S, -48-F, -48-I, and CSSB-4818	03.13.131.00	1
	220/230/240 V, 50 Hz CSU/CSSBF/CSBF-48-S	03.13.127.00	1
9	Filter Drier	03.13.003.00	1
10	Sight Glass	03.13.002.00	1

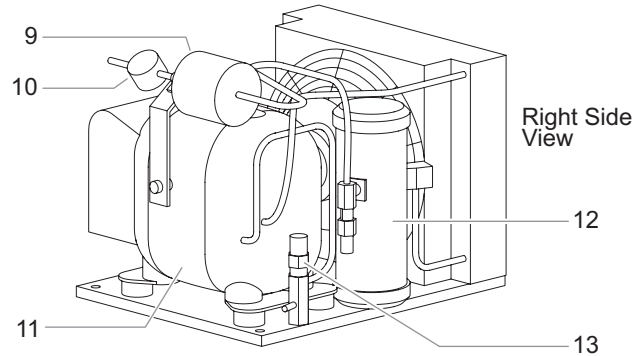
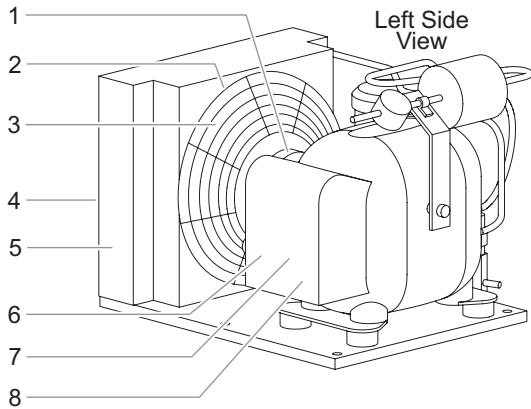
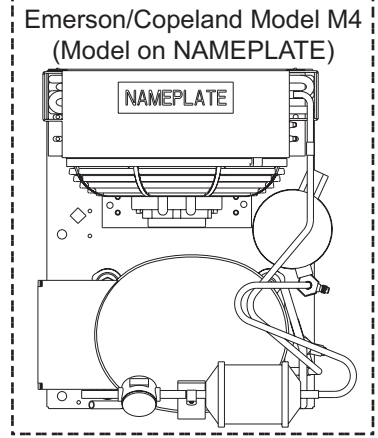
Item	Description	Part No.	Qty.
11	Compressor		
	120 V, 60 Hz	03.13.018.00	1
	220/230/240 V, 60 Hz	03.13.106.00	1
	220/230/240 V, 50 Hz CSU/CSSBF/CSBF-24, -36F CSSB-2418, -3018, -3618	03.13.099.00	1
	220/230/240 V, 50 Hz CSU/CSSBF/CSBF-36-I, -36-S, -48-F, -48-I, and CSSB-4818	03.13.085.00	1
	220/230/240 V, 50 Hz CSU/CSSBF/CSBF-48-S	03.13.089.00	1
12	Accumulator (Receiver—includes attached service valve) †	03.13.075.00	1
13	Valve, Service	03.13.012.00	1

The shaded areas contain part information for **International models only**.

† The attached service valve on the Accumulator is not replaceable. If the valve malfunctions, the entire Accumulator must be replaced.

Condensing Unit with R-404A Refrigerant

Emerson/Copeland Model M4 (CSU, CSSBF, CSBF, and CSSB Models)



Item	Description	Part No.	Qty.
1	Fan Motor, Condensing Unit		
	120 V, 60 Hz CSU/CSSBF/CSBF-24, -36F CSSB-2418, -3018, -3618	03.13.071.00	1
	120 V, 60 Hz CSU/CSSBF/CSBF-36-I, -36-S, -48-F, -48-I, and CSSB-4818	03.13.004.00	1
	120 V, 60 Hz CSU/CSSBF/CSBF-48-S	03.13.021.00	1
	220/230/240 V, 60 Hz CSU/CSSBF/CSBF-24, -36, -48-F, -48-I, and CSSB Models	03.13.093.00	1
	220/230/240 V, 60 Hz CSU/CSSBF/CSBF-48-S	03.13.096.00	1
	220/230/240 V, 50 Hz CSU/CSSBF/CSBF-24, -36, -48-F, -48-I, and CSSB Models	03.13.043.00	1
	220/230/240 V, 50 Hz CSU/CSSBF/CSBF-48-S	03.13.088.00	1
2	Fan Guard, Condensing Unit		
	120 V, 60 Hz CSU/CSSBF/CSBF-24, -36, -48-F, -48-I, and CSSB Models	03.13.074.00	1
	120 V, 60 Hz CSU/CSSBF/CSBF-48-S	03.13.098.00	1
	220/230/240 V, 60 Hz CSU/CSSBF/CSBF-24, -36, -48-F, -48-I, and CSSB Models	03.13.074.00	1
	220/230/240 V, 60 Hz CSU/CSSBF/CSBF-48-S	03.13.098.00	1
	220/230/240 V, 50 Hz CSU/CSSBF/CSBF-24, -36, -48-F, -48-I, and CSSB Models	03.13.074.00	1
220/230/240 V, 50 Hz CSU/CSSBF/CSBF-48-S	03.13.098.00	1	

Item	Description	Part No.	Qty.
3	Fan Blade, Condensing Unit		
	120 V, 60 Hz CSU/CSSBF/CSBF-24, -36, -48-F, -48-I, and CSSB Models	03.13.005.00	1
	120 V, 60 Hz CSU/CSSBF/CSBF-48-S	03.13.022.00	1
	220/230/240 V, 60 Hz CSU/CSSBF/CSBF-24, -36, -48-F, -48-I, and CSSB Models	03.13.005.00	1
	220/230/240 V, 60 Hz CSU/CSSBF/CSBF-48-S	03.13.022.00	1
	220/230/240 V, 50 Hz CSU/CSSBF/CSBF-24, -36F CSSB-2418, -3018, -3618	03.13.005.00	1
	220/230/240 V, 50 Hz CSU/CSSBF/CSBF-36-I, -36-S, -48-F, -48-I, and CSSB-4818	03.13.082.00	1
	220/230/240 V, 50 Hz CSU/CSSBF/CSBF-48-S	03.13.022.00	1

The shaded areas contain part information for International models only.

Item	Description	Part No.	Qty.
4	Air Condenser, Condensing Unit		
	120 V, 60 Hz CSU/CSSBF/CSBF-24, -36F CSSB-2418 , -3018, -3618	03.13.006.00	1
	120 V, 60 Hz CSU/CSSBF/ CSBF-36-I , -36-S, -48-F, -48-I, and CSSB-4818	03.13.017.00	1
	120 V, 60 Hz CSU/CSSBF/ CSBF-48-S	03.13.023.00	1
	220/230/240 V, 60 Hz CSU/CSSBF/CSBF-24, -36, -48-F, -48-I, and CSSB Models	03.13.017.00	1
	220/230/240 V, 60 Hz CSU/CSSBF/ CSBF-48-S	03.13.023.00	1
	220/230/240 V, 50 Hz CSU/CSSBF/CSBF-24, -36F CSSB-2418 , -3018, -3618	03.13.017.00	1
	220/230/240 V, 50 Hz CSU/CSSBF/ CSBF-36-I , -36-S, -48-F, -48-I, and CSSB-4818	03.13.083.00	1
	220/230/240 V, 50 Hz CSU/CSSBF/ CSBF-48-S	03.13.023.00	1
	5	Condenser Shroud, Condensing Unit	
120 V, 60 Hz CSU/CSSBF/CSBF-24, -36, -48-F, -48-I, and CSSB Models		03.13.029.00	1
120 V, 60 Hz CSU/CSSBF/ CSBF-48-S		03.13.026.00	1
220/230/240 V, 60 Hz CSU/CSSBF/CSBF-24, -36, -48-F, -48-I, and CSSB Models		03.13.152.00	1
220/230/240 V, 60 Hz CSU/CSSBF/ CSBF-48-S		03.13.031.00	1
220/230/240 V, 50 Hz CSU/CSSBF/CSBF-24, -36F CSSB-2418 , -3018, -3618		03.13.029.00	1
220/230/240 V, 50 Hz CSU/CSSBF/ CSBF-36-I , -36-S, -48-F, -48-I, and CSSB-4818		03.13.084.00	1
220/230/240 V, 50 Hz CSU/CSSBF/ CSBF-48-S		03.13.026.00	1
6	Relay, Compressor		
	120 V, 60 Hz CSU/CSSBF/CSBF-24, -36F CSSB-2418 , -3018, -3618	03.13.072.00	1
	120 V, 60 Hz CSU/CSSBF/ CSBF-36-I , -36-S, -48-F, -48-I, and CSSB-4818	03.13.019.00	1
	120 V, 60 Hz CSU/CSSBF/ CSBF-48-S	03.13.027.00	1
	220/230/240 V, 60 Hz CSU/CSSBF/CSBF-24, -36, -48-F, -48-I, and CSSB Models	03.13.095.00	1
	220/230/240 V, 60 Hz CSU/CSSBF/ CSBF-48-S	03.13.087.00	1
	220/230/240 V, 50 Hz CSU/CSSBF/CSBF-24, -36F CSSB-2418 , -3018, -3618	03.13.045.00	1
	220/230/240 V, 50 Hz CSU/CSSBF/ CSBF-36-I , -36-S, -48-F, -48-I, and CSSB-4818	03.13.087.00	1
	220/230/240 V, 50 Hz CSU/CSSBF/ CSBF-48-S	03.13.090.00	1

Item	Description	Part No.	Qty.	
7	Starter, Compressor			
	120 V, 60 Hz CSU/CSSBF/CSBF-24, -36F CSSB-2418 , -3018, -3618	03.13.020.00	1	
	120 V, 60 Hz CSU/CSSBF/ CSBF-36-I , -36-S, -48-F, -48-I, and CSSB-4818	03.13.020.00	1	
	120 V, 60 Hz CSU/CSSBF/ CSBF-48-S	03.13.028.00	1	
	220/230/240 V, 60 Hz	03.13.091.00	1	
	220/230/240 V, 50 Hz CSU/CSSBF/CSBF-24, -36F CSSB-2418 , -3018, -3618	03.13.046.00		
	220/230/240 V, 50 Hz CSU/CSSBF/ CSBF-36-I , -36-S, -48-F, -48-I, and CSSB-4818	03.13.046.00		
	220/230/240 V, 50 Hz CSU/CSSBF/ CSBF-48-S	03.13.091.00		
	8	External Protector		
		120 V, 60 Hz CSU/CSSBF/CSBF-24, -36F CSSB-2418 , -3018, -3618	03.13.120.00	1
120 V, 60 Hz CSU/CSSBF/ CSBF-36-I , -36-S, -48-F, -48-I, and CSSB-4818		03.13.121.00	1	
120 V, 60 Hz CSU/CSSBF/ CSBF-48-S		03.13.122.00	1	
220/230/240 V, 60 Hz CSU/CSSBF/CSBF-24, -36, -48-F, -48-I, and CSSB Models		03.13.124.00	1	
220/230/240 V, 60 Hz CSU/CSSBF/ CSBF-48-S		03.13.125.00	1	
220/230/240 V, 50 Hz CSU/CSSBF/CSBF-24, -36F CSSB-2418 , -3018, -3618		03.13.123.00	1	
220/230/240 V, 50 Hz CSU/CSSBF/ CSBF-36-I , -36-S, -48-F, -48-I, and CSSB-4818		03.13.126.00	1	
220/230/240 V, 50 Hz CSU/CSSBF/ CSBF-48-S		03.13.127.00	1	
9		Filter Drier		
	120 V, 60 Hz	03.13.003.00	1	
	220/230/240 V, 50 Hz	03.13.003.00	1	
	220/230/240 V, 60 Hz	03.13.092.00	1	
10	Sight Glass	03.13.002.00	1	

continued...

Item	Description	Part No.	Qty.
11	Compressor		
	120 V, 60 Hz CSU/CSSBF/CSBF-24, -36F CSSB-2418, -3018, -3618	03.13.013.00	1
	120 V, 60 Hz CSU/CSSBF/CSBF-36-I, -36-S, -48-F, -48-I, and CSSB-4818	03.13.018.00	1
	120 V, 60 Hz CSU/CSSBF/CSBF-48-S	03.13.025.00	1
	220/230/240 V, 60 Hz CSU/CSSBF/CSBF-24, -36, -48-F, -48-I, and CSSB Models	03.13.094.00	1
	220/230/240 V, 60 Hz CSU/CSSBF/CSBF-48-S	03.13.097.00	1
	220/230/240 V, 50 Hz CSU/CSSBF/CSBF-24, -36F CSSB-2418, -3018, -3618	03.13.044.00	1
	220/230/240 V, 50 Hz CSU/CSSBF/CSBF-36-I, -36-S, -48-F, -48-I, and CSSB-4818	03.13.085.00	1
	220/230/240 V, 50 Hz CSU/CSSBF/CSBF-48-S	03.13.089.00	1
12	Accumulator (Receiver—includes attached service valve) †		
	120 V, 60 Hz CSU/CSSBF/CSBF-24, -36, -48-F, -48-I, and CSSB Models	03.13.010.00	1
	120 V, 60 Hz CSU/CSSBF/CSBF-48-S	03.13.024.00	1
	220/230/240 V, 60 Hz CSU/CSSBF/CSBF-24, -36, -48-F, -48-I, and CSSB Models	03.13.010.00	1
	220/230/240 V, 60 Hz CSU/CSSBF/CSBF-48-S	03.13.024.00	1
	220/230/240 V, 50 Hz CSU/CSSBF/CSBF-24, -36F CSSB-2418, -3018, -3618	03.13.010.00	1
	220/230/240 V, 50 Hz CSU/CSSBF/CSBF-36-I, -36-S, -48-F, -48-I, and CSSB-4818	03.13.010.00	1
	220/230/240 V, 50 Hz CSU/CSSBF/CSBF-48-S	03.13.024.00	1
13	Valve, Service	03.13.012.00	1

† The attached service valve on the Accumulator is not replaceable. If the valve malfunctions, the entire Accumulator must be replaced.

AUTHORIZED PARTS DISTRIBUTORS • DISTRIBUTEURS DE PIÈCES AUTORISÉS

ALABAMA

Jones McLeod Appl. Svc.
Birmingham 205-251-0159

ARIZONA

Tech 24
Phoenix 602-234-2443

Byassee Equipment Co.
Phoenix 602-252-0402

CALIFORNIA

Industrial Electric
Commercial Parts & Service, Inc.
Huntington Beach 714-379-7100

Chapman Appl. Service
San Diego 619-298-7106

P & D Appliance
Commercial Parts & Service, Inc.
S. San Francisco 650-635-1900

COLORADO

Hawkins Commercial Appliance
Englewood 303-781-5548

FLORIDA

Whaley Foodservice Repair
Jacksonville 904-725-7800

Whaley Foodservice Repair
Orlando 407-757-0851

B.G.S.I./Heritage
Pompano Beach 954-971-0456

Comm. Appliance Service
Tampa 813-663-0313

GEORGIA

Heritage Service Group
Norcross 866-388-9837

HAWAII

Burney's Comm. Service, Inc.
Honolulu 808-848-1466

Food Equip Parts & Service
Honolulu 808-847-4871

ILLINOIS

Parts Town
Addison 708-865-7278

Eichenauer Elec. Service
Decatur 217-429-4229

Midwest Elec. Appl. Service
Elmhurst 630-279-8000

Cone's Repair Service
Moline 309-797-5323

IOWA

Goodwin Tucker Group
Des Moines 515-262-9308

KENTUCKY

Tech 24
Lexington 859-254-8854

Tech 24
Louisville 502-451-5411

LOUISIANA

Chandlers Parts & Service
Baton Rouge 225-272-6620

MARYLAND

Electric Motor Service
Baltimore 410-467-8080

MASSACHUSETTS

Ace Service Co., Inc.
Needham 781-449-4220

MICHIGAN

Bildons Appliance Service
Detroit 248-478-3320

Commercial Kitchen Service
Bay City 989-893-4561

Midwest Food Equip. Service
Grandville 616-261-2000

MISSOURI

General Parts
Kansas City 816-421-5400

Commercial Kitchen Services
St. Louis 314-890-0700

Kaemmerlen Parts & Service
St. Louis 314-535-2222

NEBRASKA

Anderson Electric
Omaha 402-341-1414

NEVADA

Burney's Commercial
Las Vegas 702-736-0006

Hi. Tech Commercial Service
N. Las Vegas 702-649-4616

NEW JERSEY

Jay Hill Repair
Fairfield 973-575-9145

Service Plus
Flanders 973-691-6300

NEW YORK

Alpro Service Co.
Maspeth 718-386-2515

Duffy's - AIS
Buffalo 716-884-7425

3Wire
Plattsburgh 800-634-5005

Duffy's - AIS
Sauquoit 800-836-1014

J.B. Brady, Inc.
Syracuse 315-422-9271

NORTH CAROLINA

Authorized Appliance
Charlotte 704-377-4501

OHIO

Akron/Canton Comm. Svc. Inc.
Akron 330-753-6634

Tech 24
Cincinnati 513-772-6600

Commercial Parts and Service
Columbus 614-221-0057

Electrical Appl. Repair Service
Brooklyn Heights 216-459-8700

E. A. Wichman Co.
Toledo 419-385-9121

OKLAHOMA

Hagar Rest. Service, Inc.
Oklahoma City 405-235-2184

OREGON

General Parts Group
Portland 503-624-0890

PENNSYLVANIA

Elmer Schultz Services
Philadelphia 215-627-5401

FAST Comm. Appl. Service
Philadelphia 215-288-4800

AIS Commercial Parts and Service
Pittsburgh 412-809-0244

K & D Service Co.
Harrisburg 717-236-9039

Electric Repair Co.
Reading 610-376-5444

RHODE ISLAND

Marshall Electric Co.
Providence 401-331-1163

SOUTH CAROLINA

Whaley Foodservice Repair
Lexington 803-996-9900

TENNESSEE

Camp Electric
Memphis 901-527-7543

TEXAS

Armstrong Repair Service
Houston 713-666-7100

Cooking Equipment Specialist
Mesquite 972-686-6666

Commercial Kitchen Repair Co.
San Antonio 210-735-2811

UTAH

La Monica's Rest. Equip. Service
Murray 801-263-3221

VIRGINIA

Daubers
Norfolk 757-855-4097

Daubers
Springfield 703-866-3600

WASHINGTON

3Wire
Seattle 800-207-3146

WISCONSIN

A.S.C., Inc.
Madison 608-246-3160

A.S.C., Inc.
Milwaukee 414-543-6460

CANADA

ALBERTA

Key Food Equipment Service
Edmonton 780-438-1690

BRITISH COLUMBIA

Key Food Equipment Service
Vancouver 604-433-4484

Key Food Equipment Service
Victoria 250-920-4888

MANITOBA

Air Rite, Inc.
Winnipeg 204-895-2300

NEW BRUNSWICK

EMR Services, Ltd.
Moncton 506-855-4228

ONTARIO

R.G. Henderson Ltd.
Toronto 416-422-5580

Choquette - CKS, Inc.
Ottawa 613-739-8458

QUÉBEC

Choquette - CKS, Inc.
Montreal 514-722-2000

Choquette - CKS, Inc.
Québec City 418-681-3944

UNITED KINGDOM

Marren Group
Northants +44(0)1933 665313

HATCO CORPORATION

P.O. Box 340500

Milwaukee, WI 53234-0500 U.S.A.

414-671-6350

partsandservice@hatcocorp.com

www.hatcocorp.com



24 Hour 7 Day Parts and Service
Assistance available in the United States
and Canada by calling 414-671-6350.