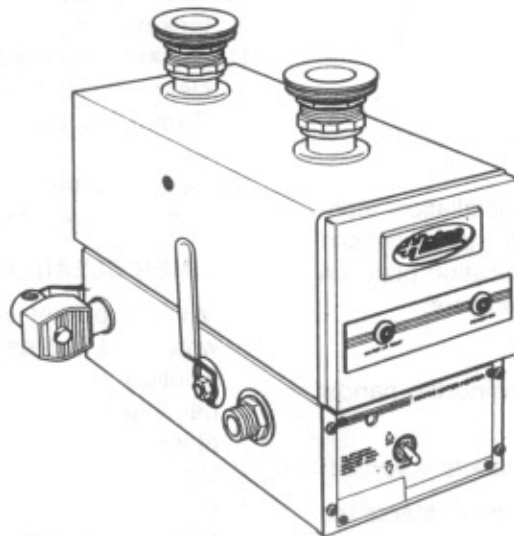




OPERATING INSTRUCTIONS & REPLACEMENT PARTS LIST



BURGER KING STEAMER Model FR-5C

⚠ Installation, maintenance and repair to be performed by qualified service personnel only.

SAFETY PRECAUTIONS

⚠ Do not turn on electrical current to the heater until the holding vessel has been filled with water. Drain holding vessel with power "Off" or element burn out could occur.

⚠ To prevent electrical shock, never service the heater without first turning off the power at the fused disconnect switch or the circuit breaker.

⚠ To prevent electric shock, always turn off the power to the unit before performing cleaning or deliming.

ELECTRICAL SPECIFICATIONS

Voltage	Wattage	Amps	Phase
208	3250	15.6	1
240	3250	13.5	1
*220/380	4095	18.6	3

*For Export use only.

⚠ WARNING: For proper electrical installation, conforming to local electrical codes, consult a licensed electrical contractor. Refer to the specification plate on the front of the heater for voltage requirements.

OPERATING PROCEDURE

1. Close sump valve by moving and raising the handle forward.

NOTE: Sump valve is closed when the handle is vertical.

2. Make sure the holding vessel is filled with water to the normal operating level.
3. Turn the toggle switch to the "ON" position. The power "ON" light will glow indicating power is supplied. The "Water at Temperature" light will glow when water is at the preset control temperature.

NOTE: All Hatco FR-5C heaters have an energy cut-off switch (ECO) that will shut "OFF" the power if the unit should overheat. To reset, wait for the unit to cool, then push the red reset button on the front of the heater.

NOTE: All Hatco FR-5C heaters have a low water cut-off that will shut "OFF" the power to the unit if the water level is too low for proper operation. The unit will return to normal operation once the proper water level is restored.

⚠ WARNING: Service or repair must be performed by qualified service personnel only.

STEAMER CLEANING INSTRUCTIONS - DAILY

1. Turn power off.
2. Drain water by pushing drain handle backwards.
3. Remove top cover, slide doors, wire racks, trays, bottom deflector and strainers from steamer tank and wash them at the pot sinks.

4. Place rubber stopper in front tank opening to prevent debris from falling into heater compartment. Wipe visible deposits from tank and **make sure the water sensor on the side of the tank is also clean.** Wash remaining residue into the rear sump compartment and out the drain.
5. Close valve by raising handle forward. Remove stopper.
6. Dissolve a one ounce package of K-5 sanitizer in 2½ gallons (9.5 liters) of warm water. Pour solution in tank. Allow solution to stand for 5 minutes.
7. Drain tank and leave valve open.
8. Place rubber stopper in rear tank opening.
9. Use a hose and hose adapter in front tank opening to power flush the unit.
10. Reverse stopper and hose and flush through rear tank opening.
11. Repeat procedure, alternating as necessary, until clean. Rinse all areas with fresh water.
12. Remove rubber stopper, hose adapter and close valve.
13. Replace strainers, bottom deflector, wire racks, doors and top cover, insuring they are installed properly.

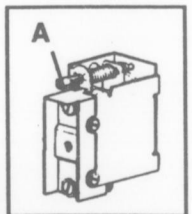
DELIMER CLEANING INSTRUCTIONS - WEEKLY

1. Mix one packet of delimer in one pint (.5 liter) of hot water and fill steam chamber and water level tank with solution.
2. Let solution remain in chamber and water level tank for at least 15 minutes.
3. Drain delimer solution.
4. If deposits remain, make up fresh delimer solution and repeat procedure.
5. Rinse with clear water until all of the delimer solution has been rinsed away.
6. Then follow sanitizing procedure under daily cleaning instructions.

THERMOSTAT ADJUSTMENT

The thermostat is factory calibrated to produce 185°-190°F. (85°-88°C) water temperatures. If adjustment is necessary, turn screw "A" clockwise to raise the set point.

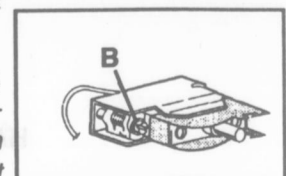
NOTE: One-sixth of a turn equals 12°F. (6.7°C). Thermostat adjustment screw located at center of lower right side panel when facing front of Hatco unit.



ECO-HIGH LIMIT ADJUSTMENT

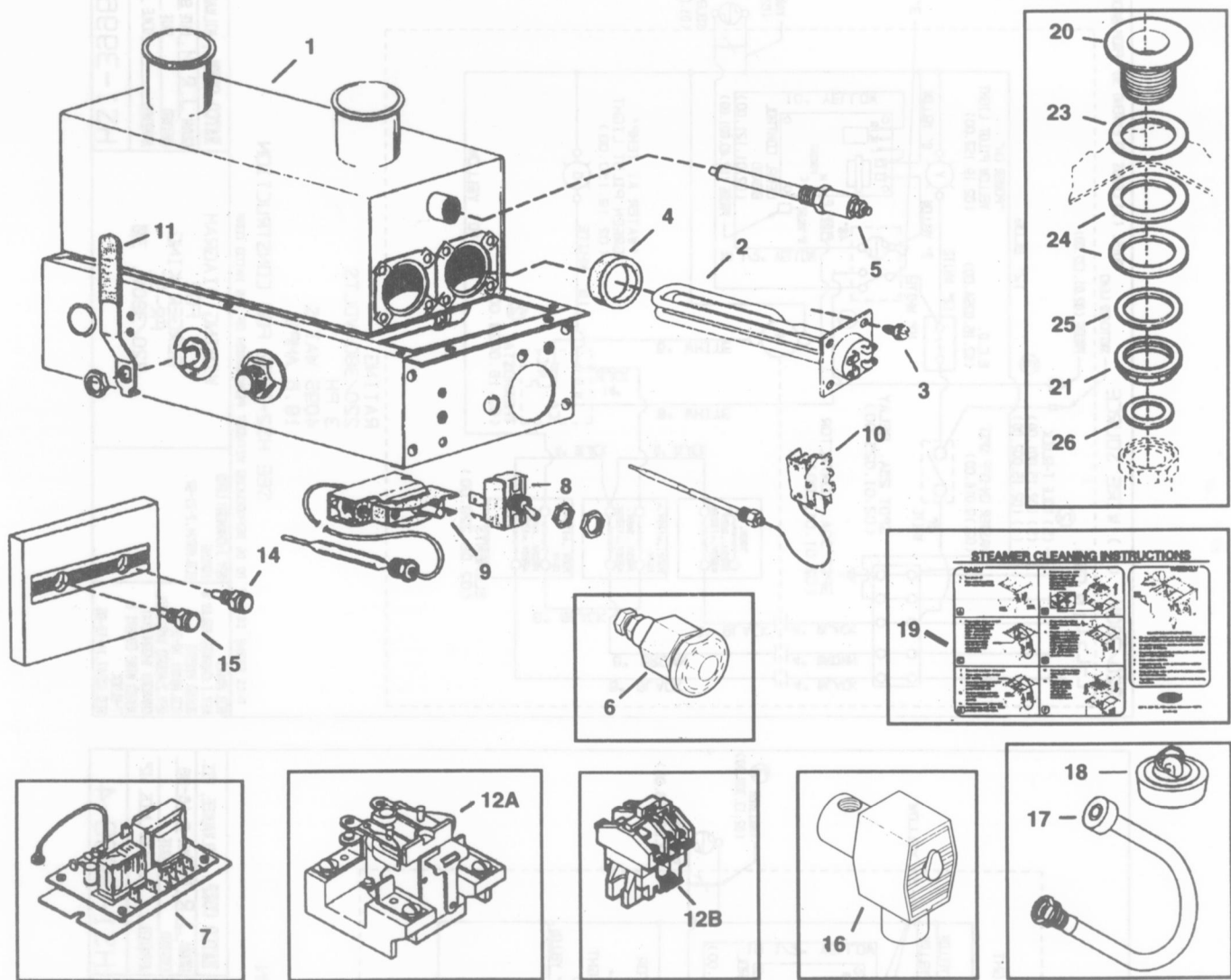
If the water temperature in the heater exceeds 210°F. (99°C), the high temperature limit will shut off the power. The switch must be manually reset by pushing the red button.

NOTE: If adjustment is necessary, turn adjustment screw "B" clockwise to raise set point - 1/8 turn equals about 7°F. (4°C). High limit is located behind the front panel on the Hatco unit.



REPLACEMENT PARTS LIST

Model FR-5C



Item	Description	Part No.	Qty.	Item	Description	Part No.	Qty.
1	Tank			12A	Power Relay - 900 DPST (208/240V units)	02.01.008.00	1
	2 Element Style	01.04.002C.00	1	12B	*3 Pole Contactor-30A (220/380V units)	02.01.013.00	1
	*3 Element Style	01.04.004.00	1	13	Control Relay 25A SPDT	R02.01.025.00	1
2	Heating Element			14	"Power On" Yellow Pilot Light	02.19.152.00	1
	208 Volt - 750/1625W	R02.06.228.00	2	15	"Water At Temp" Green Pilot Light	02.19.150.00	1
	240 Volt - 750/1625W	R02.06.229.00	2	16	Water Solenoid Valve	03.02.026.00	1
	*220/380 Volt -750/1625W	R02.06.229.00	3	17	Cleaning Hose w/Adapter.	05.06.010.00	1
3	Element Mounting Screw (4 per Element)	05.04.062.00	8-12	18	Rubber Drain Stopper	05.06.026.00	1
4	Element, Gasket (1 per Element)	05.06.005.00	2-3	19	Cleaning Instruction Decal	07.03.250.00	1
5	Probe (for LWCO)	02.40.001.00	1	20	Sink Strainer Assembly (Complete)	R05.30.009.00	2
6	Mushroom/Button Probe(for LWCO)	02.01.122.00	1	21	Locknut†	05.30.009A.00	2
7	LWCO (Board Style)	02.01.121.00	1	22	Gasket Kit (For both strainers)‡	R00.05.002.00	1
8A	Power On/Off Switch (208/240V)	02.19.008A.00	1	23	Thin Rubber Washer†	05.30.009C.00	2
8B	Power On/Off Switch (220/380V)	02.19.016.00	1	24	Thick Neoprene Washer†	05.30.009B.00	4
9	High Temperature Limit Control	02.16.025A.00	1	25	Fiber Washer†	05.30.009A.00	2
10	Control Thermostat	02.16.003B.00	1	26	Union Gasket†	05.06.009.00	2
11	Sump Drain Handle	03.02.001B.00	1				

* Export Applications only.
 † Part of Assembly.
 ‡ Not shown.

NOTE: Line strainers, filters, back flow preventers and/or vacuum breakers to be supplied by customer to meet state & local codes.

