

hatcocorp.com

Register Online!
(see page 2)

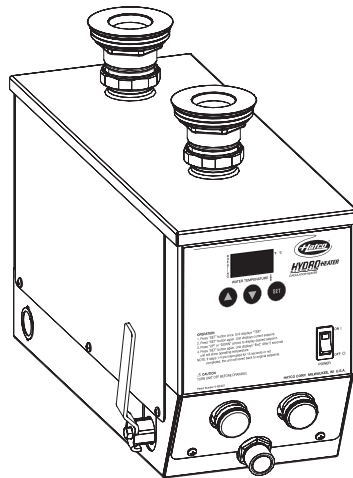
S'inscrire en ligne!
(voir page 16)



Hydro-Heater

Sanitizing Sink Heaters and Food Rethermalizers/Bain-Marie Heaters Réchauffeurs de cuve désinfectants et marmites de remise à température des aliments/Réchauffeurs de bain-marie 3CS2 and FR2 Series/Série

Installation and Operating Manual Manuel d'installation et d'utilisation



⚠ WARNING

Do not operate this equipment unless you have read and understood the contents of this manual! Failure to follow the instructions contained in this manual may result in serious injury or death. This manual contains important safety information concerning the maintenance, use, and operation of this product. If you're unable to understand the contents of this manual, please bring it to the attention of your supervisor. Keep this manual in a safe location for future reference.

English = p 2

⚠ ADVERTENCIA

No opere este equipo al menos que haya leído y comprendido el contenido de este manual! Cualquier falla en el seguimiento de las instrucciones contenidas en este manual puede resultar en un serio lesión o muerte. Este manual contiene importante información sobre seguridad concerniente al mantenimiento, uso y operación de este producto. Si usted no puede entender el contenido de este manual por favor pregunte a su supervisor. Almacenar este manual en una localización segura para la referencia futura.

⚠ AVERTISSEMENT

Ne pas utiliser cet équipement sans avoir lu et compris le contenu de ce manuel! Le non-respect des instructions contenues dans ce manuel peut entraîner de graves blessures ou la mort. Ce manuel contient des informations importantes concernant l'entretien, l'utilisation et le fonctionnement de ce produit. Si vous ne comprenez pas le contenu de ce manuel, veuillez le signaler à votre supérieur. Conservez ce manuel dans un endroit sûr pour pouvoir vous y référer plus tard.

Français = p 16

Important Owner Information	2	Operation	10
Introduction	2	General.....	10
Important Safety Information	3	Maintenance	11
Model Description	4	General.....	11
Model Designation	5	Daily Cleaning.....	11
Specifications	5	Draining Heater for Service Protection.....	11
Plug Configurations.....	5	Troubleshooting Guide	12
Electrical Rating Chart—3CS2 Models.....	5	Error Codes.....	12
Electrical Rating Chart—FR2 Models.....	6	Options and Accessories	13
Dimensions.....	6	Limited Warranty	15
NSF Criteria.....	7	Authorized Parts Distributors	Back Cover
Installation	7		
General.....	7		
Sizing Information.....	7		
Installing the Unit.....	8		
Electrical Information.....	9		

IMPORTANT OWNER INFORMATION

Record the model number, serial number, voltage, and purchase date of the unit in the spaces below (specification label located on the front of the unit). Please have this information available when calling Hatco for service assistance.

Model No. _____

Serial No. _____

Voltage _____

Date of Purchase _____

Register your unit!

Completing online warranty registration will prevent delay in obtaining warranty coverage. Access the Hatco website at www.hatcocorp.com, select the *Support* pull-down menu, and click on "Warranty".

Business Hours: 7:00 AM to 5:00 PM Monday–Friday, Central Time (CT)
(Summer Hours: June to September—7:00 AM to 5:00 PM Monday–Thursday, 7:00 AM to 4:00 PM Friday)

Telephone: 414-671-6350

E-mail: support@hatcocorp.com



24 Hour 7 Day Parts and Service Assistance available in the United States and Canada by calling 414-671-6350.

Additional information can be found by visiting our web site at www.hatcocorp.com.

INTRODUCTION

Hatco 3CS2 Hydro-Heater Sanitizing Sink Heaters and FR2 Hydro-Heater Food Rethermalizers/Bain-Marie Heaters are designed to supply temperature-controlled water to a sink or holding vessel located above the heater. Water flows by natural convection from the holding vessel directly into a tubular water chamber with heating elements uniquely wrapped around the outside of the flow tube. The heating elements do not come in direct contact with the water, reducing sediment and lime buildup on the element and resulting in longer life. The heated water flows upward and returns to the holding vessel.

A special electronic controller maintains the setpoint temperature ensuring a responsive and efficient operation. The unit's electrical and plumbing connections are factory-assembled and ready for installation.

Hatco Hydro-Heaters are products of extensive research and field testing. The materials used were selected for maximum durability, attractive appearance and optimum performance. Every unit is inspected and tested thoroughly prior to shipment.

This manual provides the installation, safety, and operating instructions for the Hydro-Heater Sanitizing Sink Heaters and Food Rethermalizers/Bain-Marie Heaters. Hatco recommends that all installation, operating, and safety instructions appearing in this manual be read prior to installation or operation of a unit.

Safety information that appears in this manual is identified by the following signal word panels:



WARNING indicates a hazardous situation which, if not avoided, could result in death or serious injury.



CAUTION indicates a hazardous situation which, if not avoided, could result in minor or moderate injury.



NOTICE is used to address practices not related to personal injury.



Read the following important safety information before using this equipment to avoid serious injury or death and to avoid damage to equipment or property.

WARNING

ELECTRIC SHOCK HAZARD:

- Units supplied without an electrical cord and plug require a hardwired connection to on-site electrical system. Connection must be properly grounded and of correct voltage, size, and configuration for electrical specifications of unit. Contact a qualified electrician to determine and install proper electrical connection.
- For units with an electrical cord and plug, plug unit into a properly grounded electrical receptacle of the correct voltage, size, and plug configuration. If plug and receptacle do not match, contact a qualified electrician to determine and install proper voltage and size electrical receptacle.
- Unit must be installed by qualified, trained installers. Installation must conform to all local electrical and plumbing codes. Installation by unqualified personnel will void the unit warranty and may lead to electric shock or burn, as well as damage to unit and/or its surroundings. Check with local plumbing and electrical inspectors for proper procedures and codes.
- Unit is not weatherproof. Locate the unit indoors where the ambient air temperature is a minimum of 70°F (21°C).
- Turn OFF power switch, unplug power cord/turn off power at circuit breaker, and allow unit to cool before performing any cleaning, adjustments, or maintenance.
- DO NOT submerge or saturate with water. Unit is not waterproof. Do not operate if unit has been submerged or saturated with water.
- Do not clean unit when it is energized or hot.
- This unit is not “jet-proof” construction. Do not use jet-clean spray to clean this unit.
- Discontinue use if power cord is frayed or worn.
- Do not attempt to repair or replace a damaged power cord. Cord must be replaced by Hatco, an Authorized Hatco Service Agent, or a person with similar qualifications.
- This unit must be serviced by qualified personnel only. Service by unqualified personnel may lead to electric shock or burn.
- Use only Genuine Hatco Replacement Parts when service is required. Failure to use Genuine Hatco Replacement Parts will void all warranties and may subject operators of the equipment to hazardous electrical voltage, resulting in electrical shock or burn. Genuine Hatco Replacement Parts are specified to operate safely in the environments in which they are used. Some aftermarket or generic replacement parts do not have the characteristics that will allow them to operate safely in Hatco equipment.

WARNING

FIRE HAZARD:

- Install unit with a minimum of 3-1/2” (89 mm) of space from bottom of unit to all combustible surfaces to prevent combustion.
- Do not use harsh chemicals such as bleach (or cleaners containing bleach), oven cleaners, or flammable cleaning solutions to clean this unit.

Make sure all operators have been instructed on the safe and proper use of the unit.

This unit is not intended for use by children or persons with reduced physical, sensory, or mental capabilities. Ensure proper supervision of children and keep them away from the unit.

Hatco Corporation is not responsible for actual food product serving temperature. It is the responsibility of the user to ensure that food product is held and served at a safe temperature.

This unit has no “user-serviceable” parts. If service is required on this unit, contact an Authorized Hatco Service Agent or contact the Hatco Service Department at 414-671-6350.

CAUTION

BURN HAZARD:

- Some exterior surfaces on unit will get hot. Avoid unnecessary contact with unit.
- Drain water may reach temperatures in excess of 200°F (93°C). Use appropriate plumbing materials when installing drain.
- Water in holding vessel may reach temperatures in excess of 190°F (88°C). Use appropriate protection when operating unit.
- Hot water in unit may cause scalding injury. Allow unit to cool before draining or cleaning.
- DO NOT set temperature control higher than 190°F (88°C). Units are designed to heat water up to 190°F. Water over 190°F is very active and could splash onto operator causing serious burns or injury.

Do not use extension pipes on the inlet and outlet connections on water heater units. Poor performance or unsafe conditions may occur.

Auto-Fill units must be installed with adequate backflow protection and must conform with all federal, state, and local codes.

NOTICE

Units are voltage-specific. Refer to specification label for electrical requirements before beginning installation. Connecting unit to incorrect power supply will void product warranty and may damage unit.

For units with Auto-Fill, do not exceed an incoming water temperature of 140°F (60°C) or incoming water pressure of 80 psi (550 kPa).

This unit is intended for commercial use only — NOT for household use.

Do not turn on power to unit until holding vessel has been filled with water. Dry operation may cause element burnout.

Always drain holding vessel with power to unit off or element burnout could occur.

Standard and approved manufacturing oils may smoke up to 30 minutes during initial startup. This is a temporary condition. Operate unit correctly until smoke dissipates.

NOTICE

Do not use excessive force when tightening unions or nuts. Over-tightening and excessive force may cause leaks.

Incoming water in excess of 3 grains of hardness per gallon (GPG) (0.75 grains of hardness per liter [GPL]) must be treated and softened before being supplied to water heater(s). Water containing over 3 GPG will decrease efficiency, increase energy use, and reduce operating life of unit through increased lime build-up. Product failure caused by liming or sediment buildup is not covered under warranty.

Use only delimers that are non-corrosive to aluminum, brass, and stainless steel. Damage to unit caused by corrosive materials is not covered under warranty.

Inspect unit regularly for lime and sediment buildup. Excessive buildup may affect performance and reduce operating life of unit. Unit failure due to lime or mineral deposits is not covered under warranty.

MODEL DESCRIPTION

All Models

3CS2 and FR2 series Hydro-Heaters mount under a sink or holding vessel, leaving the interior of the holding vessel free of obstructions. Hydro-Heaters feature a tubular water chamber with a spiral heating element wrapped around the outside. They include a stainless steel front, powdercoated body, a low-water cut-off system, and a convenient drain.

Each unit comes with a one year parts and labor warranty. Units are shipped completely assembled and ready to install with all gaskets and fittings.

Optional features include a stainless steel body and base, an Auto-Fill system, a remote mounted control, and a security package. A flush hose kit is available as an accessory. Refer to the OPTIONS AND ACCESSORIES section for details.

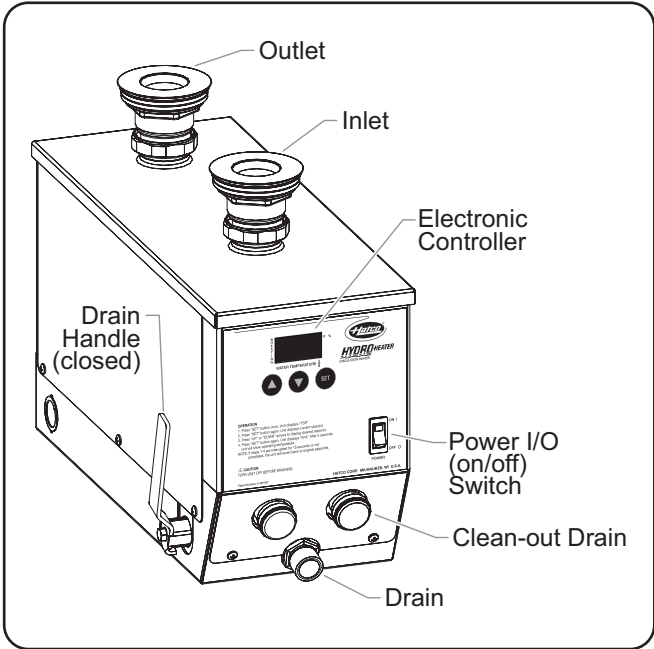
3CS2 Models

The Hatco 3CS Hydro-Heater is designed for use with any manual dishwashing operation. It maintains a continuous supply of sanitizing rinse water at 180°F (82°C). The heater utilizes advanced electronic controls and “free flow” technology to ensure responsive and efficient operation.

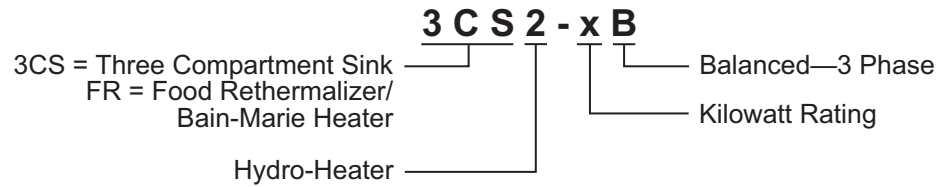
FR2 Models

The Hatco FR2 Hydro-Heater is designed to be used with a Bain-Marie or Food Rethermalizer to heat or hold foods at safe temperatures between 140°F and 190°F (60° and 88°C). An electronic controller with digital display maintains an accurate setpoint temperature, and “free flow” technology ensures responsive and efficient operation.

FR2-3 and FR2-4 models are available with an optional 48” (1219 mm) cord and plug.



3CS2/FR2 Series Hydro-Heater



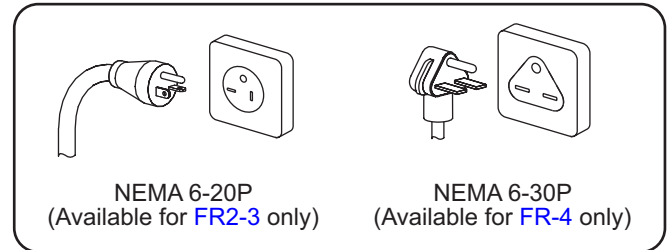
SPECIFICATIONS

Plug Configurations

Some units are supplied from the factory with an electrical cord and plug installed. Plugs are supplied according to the applications.



ELECTRIC SHOCK HAZARD: For units with an electrical cord and plug, plug unit into a properly grounded electrical receptacle of the correct voltage, size, and plug configuration. If plug and receptacle do not match, contact a qualified electrician to determine and install proper voltage and size electrical receptacle.



Plug Configurations

NOTE: The specification label is located on the front of the unit. See label for serial number and verification of unit electrical information.

Electrical Rating Chart—3CS2 Models

Model	Voltage	Kilowatts	Phase	Amps	Wiring Sizing AWG*†	Fuse or Circuit Breaker*	Shipping Weight
3CS2-3	208 V	3.0 kW	1	14.4 A	12	20 A	24 lbs. (11 kg)
3CS2-4	208 V	4.0 kW	1	19.2 A	10	30 A	24 lbs. (11 kg)
	240 V			16.7 A			
3CS2-6	208 V	6.0 kW	1	28.8 A	8	40 A	27 lbs. (12 kg)
3CS2-3B	208 V	3.0 kW	3 (Bal.)	8.4 A	14	15 A	24 lbs. (11 kg)
	240 V			7.3 A			
3CS2-4B	208 V	4.5 kW	3 (Bal.)	11.2 A	14	20 A	24 lbs. (11 kg)
	240 V			9.6 A		15 A	
3CS2-6B	208 V	6.0 kW	3 (Bal.)	16.7 A	12	30 A	27 lbs. (12 kg)
	240 V			14.5 A		20 A	
3CS2-9B	208 V	9.0 kW	3 (Bal.)	25 A	10	40 A	27 lbs. (12 kg)

* Wire size is based on THHN copper wire for branch circuit protection at 0.91 derate factor. Circuit breakers and fused disconnects are to be mounted remotely and wired by contractor. Sizes are based on the 2002 NEC table 310-16. Conduit size based on conductors plus ground wire sizing per Table C1 from Appendix C.

† Based upon THHN wire rated 90°C.

NOTE: Shipping Weight includes packaging.

Electrical Rating Chart—FR2 Models

Model	Voltage	Kilowatts	Phase	Amps	Wiring Sizing AWG*†	Fuse or Circuit Breaker*	Shipping Weight
FR2-3	208 V	3.0 kW	1	14.4 A	12	20 A	24 lbs. (11 kg)
FR2-4	208 V	4.0 kW	1	19.2 A	12	30 A	24 lbs. (11 kg)
	240 V			16.7 A			
FR2-6	208 V	6.0 kW	1	28.8 A	10	40 A	27 lbs. (12 kg)
FR2-3B	208 V	3.0 kW	3 (Bal.)	8.4 A	14	15 A	24 lbs. (11 kg)
	240 V			7.3 A			
FR2-4B	208 V	4.5 kW	3 (Bal.)	11.2 A	14	15 A	24 lbs. (11 kg)
	240 V			9.6 A			
FR2-6B	208 V	6.0 kW	3 (Bal.)	16.7 A	12	30 A	27 lbs. (12 kg)
	240 V			14.5 A		20 A	
FR2-9B	208 V	9.0 kW	3 (Bal.)	25 A	10	40 A	27 lbs. (12 kg)

* Wire size is based on THHN wire for branch circuit protection at 0.91 derate factor. Circuit breakers and fused disconnects are to be mounted remotely and wired by electrical contractor. Sizes are based on the 2002 NEC table 310-16. Conduit size based on conductors plus ground wire sizing per Table C1 from Appendix C.

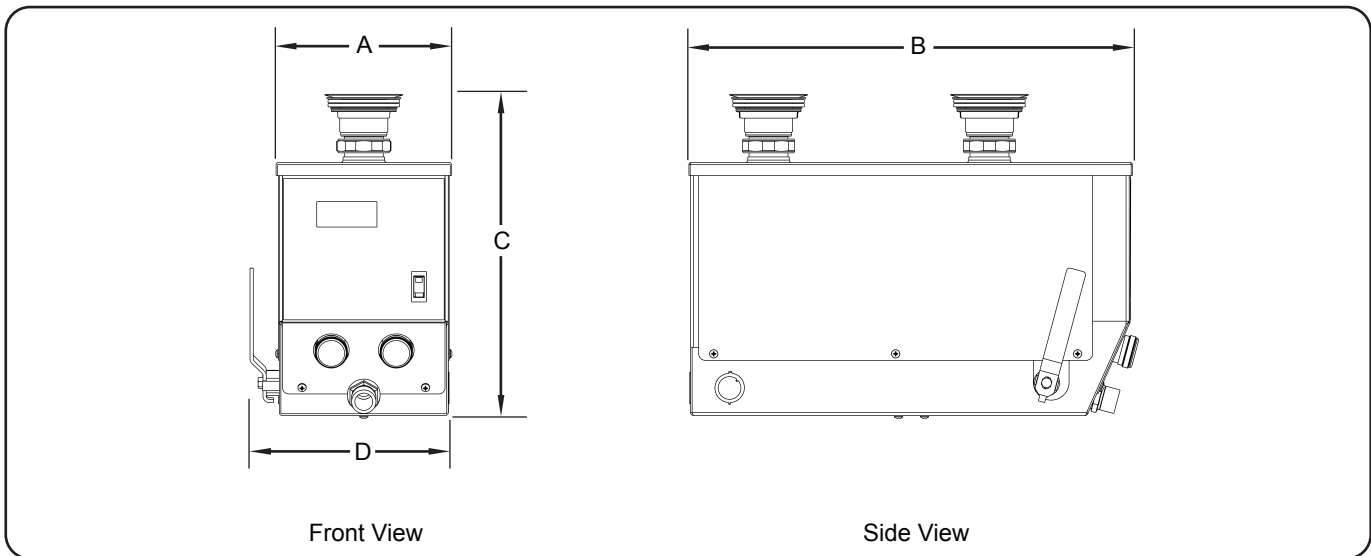
† Based upon THHN wire rated 90°C.

NOTE: Shipping Weight includes packaging.

Dimensions

Model	Width (A)	Depth (B)	Height (C)	Width (D)‡
3CS2 and FR2	6-3/4" (172 mm)	17-1/8" (433 mm)	12-3/8" (314 mm)	7-3/4" (197 mm)

‡ Units equipped with the Auto-Fill option have a Width (D) of 9-1/2" (241 mm).



Dimensions—3CS2 and FR2 Models

NSF Criteria

NSF Standard 4 added performance requirements for food rethermalizing. The requirements mirror the requirements for food rethermalizing in the FDA Food Code. The basic requirement is that food reach a temperature of 165°F (74°C) in a time period of two hours or less. Appliances that are manufactured for the purpose of rethermalizing food will need to meet these performance requirements in order to be listed to NSF Standard 4.

The Hatco FR2 Series Hydro-Heater is specifically made for food rethermalizing, however, the heating unit is designed to be incorporated into a hot water bath rethermalizer. Hatco does not supply the vessel that contains the water, nor the system that determines how food is placed and held in the vessel. The Hatco FR2 unit attaches to the bottom of the vessel and supplies hot water to the vessel.

Hatco does supply sizing recommendations to enable the appliance manufacturer to correctly size the FR2 unit to the vessel. However, there are variables in the way that the vessel is manufactured that affect its ability to pass the NSF performance requirements. The Hatco FR2 unit is listed with NSF for construction only. Due to the fact that the FR2 is only a portion of a larger system, it is impossible to do performance testing until the FR2 unit is incorporated onto the water vessel.

The result is that it is the responsibility of the vessel manufacturer to have the entire rethermalizing appliance tested and listed in accordance with NSF Standard 4. Simply hanging an NSF listed FR2 unit on the appliance does not transfer NSF listing to the entire appliance.

INSTALLATION

General

Hatco 3CS2 and FR2 Series Hydro-Heaters are shipped fully assembled. Care should be taken when unpacking the shipping carton to avoid damage to unit and components enclosed.



ELECTRIC SHOCK HAZARD:

- Units supplied without an electrical cord and plug require a hardwired connection to on-site electrical system. Connection must be properly grounded and of correct voltage, size, and configuration for electrical specifications of unit. Contact a qualified electrician to determine and install proper electrical connection.
- For units with an electrical cord and plug, plug unit into a properly grounded electrical receptacle of the correct voltage, size, and plug configuration. If plug and receptacle do not match, contact a qualified electrician to determine and install proper voltage and size electrical receptacle.
- Unit must be installed by qualified, trained installers. Installation must conform to all local electrical and plumbing codes. Installation by unqualified personnel will void the unit warranty and may lead to electric shock or burn, as well as damage to unit and/or its surroundings. Check with local plumbing and electrical inspectors for proper procedures and codes.
- Unit is not weatherproof. Locate the unit indoors where the ambient air temperature is a minimum of 70°F (21°C).

FIRE HAZARD: Install unit with a minimum of 3-1/2" (89 mm) of space from bottom of unit to all combustible surfaces to prevent combustion.

1. Remove the unit from the box.

NOTE: To prevent delay in obtaining warranty coverage, complete online warranty registration. See the IMPORTANT OWNER INFORMATION section for details.

2. Remove tape and protective packaging from all surfaces of unit.

Sizing Information

Hatco recommends the following guidelines be used to ensure proper operation and sanitation.

For 3CS2 Series in a Sink Heater Application

- Minimum of 2000 watts per square foot (2.2 watts per sq. cm) of vessel top.
- 3CS2 units are sized based on 140°F (60°C) supply water with a 30-minute preheat period to reach the sanitizing temperature.

For FR2 Series in a Bain-Marie or Steam Table Application

- Minimum 750 watts per square foot (0.8 watts per sq. cm) of vessel top.

For FR2 Series in a Food Rethermalizer Application

- Minimum 2000 watts per square foot (2.2 watts per sq. cm) of vessel top.

NOTE: Use one 3CS2 or FR2 unit for a vessel up to 6' (1829 mm) long. Vessels over 6' require a minimum of two units.

Installing the Unit

An adhesive backed paper template is shipped with the unit and is used to locate the sink strainer holes. Use the following procedure to mount the unit to the sink or holding vessel.

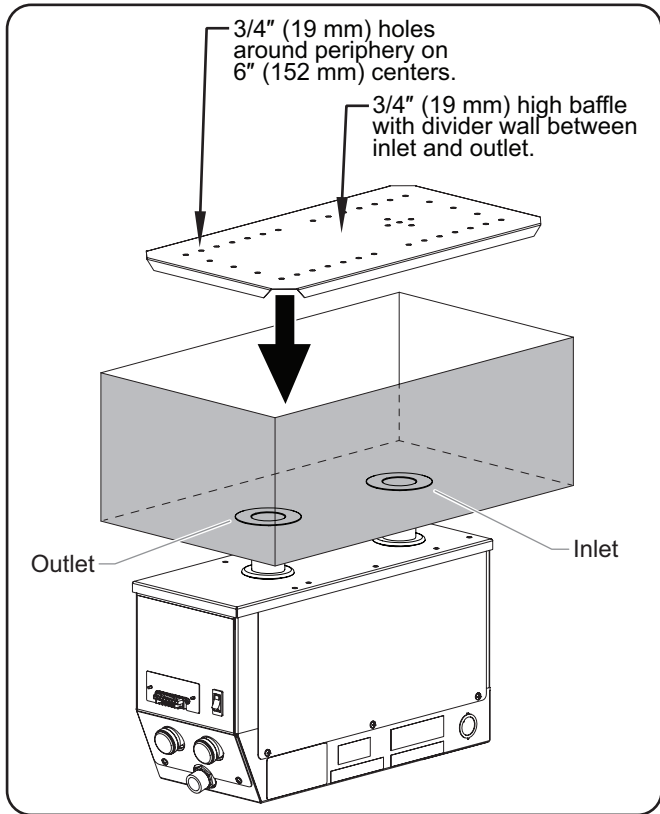


BURN HAZARD: Drain water may reach temperatures in excess of 200°F (93°C). Use appropriate plumbing materials when installing drain.

Do not use extension pipes on the inlet and outlet connections on water heater units. Poor performance or unsafe conditions may occur.

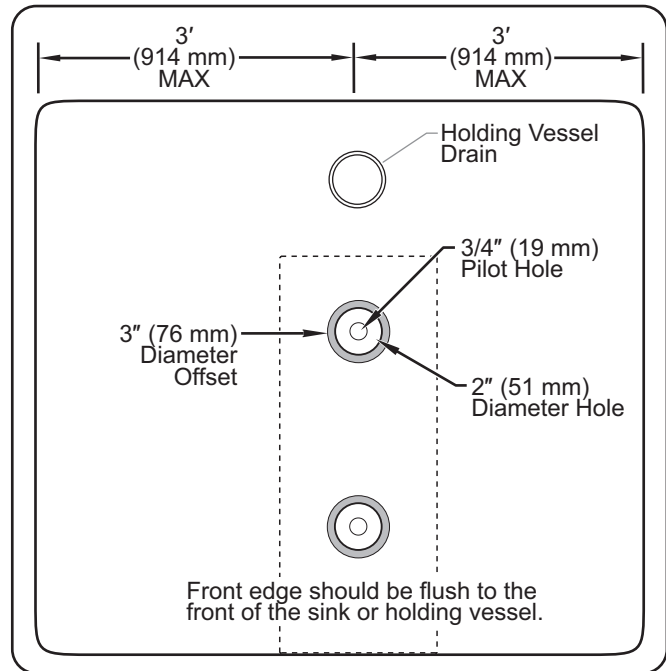
Auto-Fill units must be installed with adequate backflow protection and must conform with all federal, state, and local codes.

NOTE: FR2 Hydro-Heaters should be installed with a perforated water baffle (not supplied with unit) to distribute the heated water properly. The baffle should be 3/4" (19 mm) high with a divider wall between the inlet and outlet. The baffle should also have 3/4" (19 mm) holes around the periphery every 6" (152 mm).



Water Baffle Installation (FR2 Models)

NOTE: 3CS2 Hydro-Heaters should be mounted in the center of a sink or holding vessel.



Top View of Holding Vessel

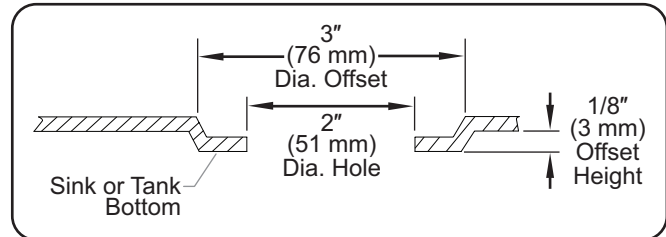
NOTE: The dotted lines in the image above indicate the position of the unit under the sink or holding vessel.

- Expose the adhesive back of the paper template and position it on the bottom of the sink or holding vessel.
 - The decal should be positioned exactly above where the Hydro-Heater will be positioned below the sink or holding vessel.
 - Make sure the front edge of the decal is flush with the front edge of the sink or holding vessel.
 - FR2 Series Hydro-Heaters should be positioned with no more than 3' (914 mm) on either side when mounted under the sink or holding vessel.

- Center punch and drill a 3/4" (19 mm) pilot hole at each of the two center marks on the template.

NOTE: The pilot holes are for cutting larger holes with a knockout hole punch.

- Remove the template and cut a 2" (51 mm) diameter hole at each pilot hole location using a knockout hole punch.
- Make a 1/8" (3 mm) offset around each 2" (51 mm) diameter hole. The offset should be a diameter of 3" (76 mm) centered around the hole.



Side View of Hole and Offset

- Unscrew the drain spud assembly from the welded pipe on the heater.

6. Unscrew the locknut from the drain spud assembly and slide off all of the washers except the thin rubber washer.
7. With only the thin rubber washer attached to the drain spud, slide the drain spud through the sink hole from above.
8. Secure the drain spud assembly to the sink or holding vessel.
 - a. From under the sink, slide the two thick rubber washers followed by the fiber washer onto the drain spud.
 - b. Screw the locknut (flat side up) onto the drain spud.
9. Repeat steps 5–8 for the other spud assembly.
10. Secure the unit to the sink or holding vessel.
 - a. Position the unit under the two spud assemblies.

NOTE: Make sure the union washers are positioned properly inside the union nuts and are not crimped.

- b. Screw the union nut to the threaded drain spud assembly.

NOTICE

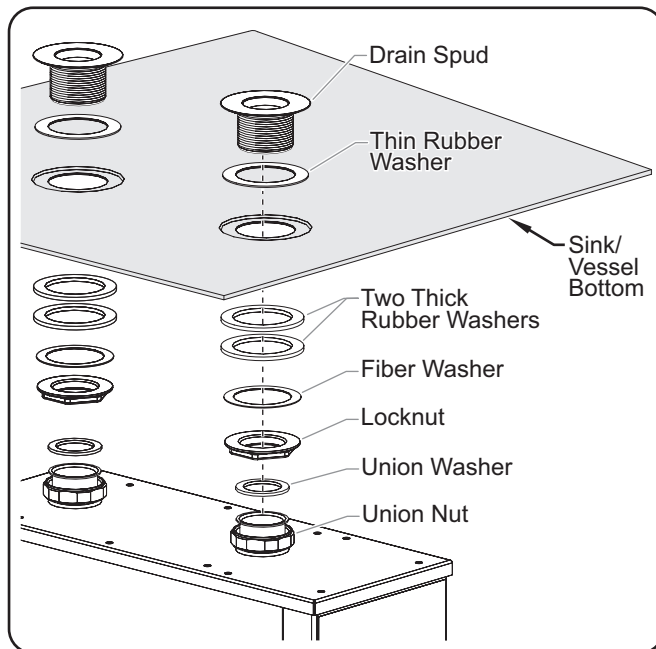
Do not use excessive force when tightening unions or nuts. Over-tightening and excessive force may cause leaks.

11. Tighten all of the nuts securely.

NOTE: Refer to the OPTIONS AND ACCESSORIES section for Auto-Fill installation information.

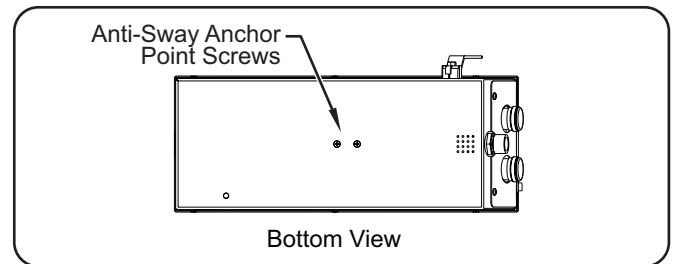
12. Fill the sink or holding vessel with water and check for leaks.

NOTE: A 3/4" (19 mm) hose or pipe may be connected to the heater drain and run to an open sight drain. The heater drain should not be permanently connected to the sanitary drain system. The clean-out brush must have access to the heater drain(s). Check local plumbing code for proper drain installation. See the Maintenance section for more information.



Installing a Hydro-Heater

NOTE: Units exposed to movement, such as shipboard installations, must be stabilized before operating. Two anti-sway anchor points are located on the bottom-center of the unit. Attach stabilization hardware to these points using the 1/4" screws supplied.



Anti-Sway Anchor Points

Electrical Information

Hatco 3CS2 and FR2 Series Hydro-Heaters are available for operation with standard power systems. Check the specification label for the proper power supply.

NOTICE

Units are voltage-specific. Refer to specification label for electrical requirements before beginning installation. Connecting unit to incorrect power supply will void product warranty and may damage unit.

Units come complete with all electrical wiring and are equipped with three electrical knockouts, one at the rear and one on each side toward the rear. When performing installation, run electrical connections through one of these knockouts.

NOTE: Auto-Fill models are provided with two electrical knockouts, one at the rear and one on the right-hand side toward the rear.

Only specific models **FR2-3** and **FR2-4** Hydro-Heaters can be ordered and supplied with an electrical cord and plug.

General

Use the following procedures to operate a Hydro-Heater.



Read all safety messages in the **IMPORTANT SAFETY INFORMATION** section before operating this equipment.



BURN HAZARD:

- Some exterior surfaces on unit will get hot. Avoid unnecessary contact with unit.
- Water in holding vessel may reach temperatures in excess of 190°F (88°C). Use appropriate protection when operating unit.
- **DO NOT** set temperature control higher than 190°F (88°C). Units are designed to heat water up to 190°F. Water over 190°F is very active and could splash onto operator causing serious burns or injury.

NOTICE

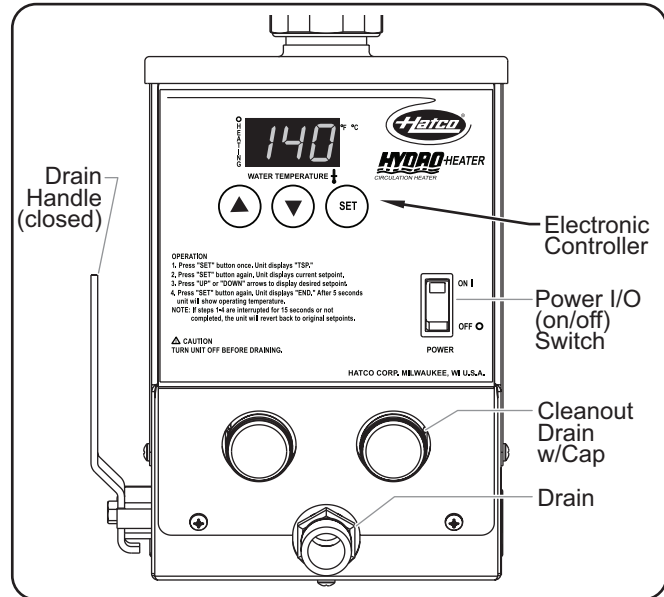
Do not turn on power to unit until holding vessel has been filled with water. Dry operation may cause element burnout.

ALWAYS drain holding vessel with power to unit off or element burnout could occur.

1. For hardwired units, check that the fused disconnect switch or circuit breaker is in the “on” position. For cord and plug units, make sure the unit is plugged into a properly grounded receptacle of the correct voltage, size, and plug configuration. See the SPECIFICATIONS section for details.
2. Make sure that the small pipe caps (if provided) are tightened securely to the clean-out drains.
3. Close the drain by moving the drain handle toward the front of the unit until it stops.
4. Fill the sink or holding vessel with hot water to the normal operating level.
 - For units with Auto-Fill, open the water supply valve and verify the sink or holding vessel is being filled with water.
5. Move the Power I/O (on/off) switch to the I (on) position.
 - The WATER TEMPERATURE display will glow to indicate power is supplied.

NOTE: Auto-Fill units only—When the tank water level reaches the low water probe, the display will show the current water temperature and a small red light will glow in the upper left-hand corner of the display indicating the heating elements are energized. Water will continue to fill the tank until the water reaches the upper water probe. The heating elements will remain on until the tank water reaches the programmed setpoint temperature .

6. Set the electronic controller to the desired setpoint temperature.
 - a. Press the **SET** key. The WATER TEMPERATURE display will show “TSP”.
 - b. Press the **SET** key again. The WATER TEMPERATURE display will show the current setpoint temperature.
 - c. Press the **▲** key or **▼** key to change the setpoint temperature. The WATER TEMPERATURE display will show the new setpoint temperature.
 - d. Press the **SET** key. The WATER TEMPERATURE display will show “End”. Wait 5 seconds and the unit will show the current operating temperature.



Hydro-Heater Control Panel

NOTE: If setpoint temperature adjustment is interrupted or no changes are made for 15 seconds, the controller will go back to its original setting without accepting the change.

NOTE: If the WATER TEMPERATURE display shows “E2”, the internal water sensing probe is out of temperature range. If this occurs, contact the Hatco Parts and Service Team or an Authorized Service Agent in your area for assistance.

NOTE: If the WATER TEMPERATURE display shows “E3”, the low water sensing probe is not sensing water. The heating elements will not activate until the probe is submerged in water. If this occurs, add water or check the water supply connection.

General

Hydro-Heaters are designed for maximum durability and performance with minimum maintenance.



WARNING

ELECTRIC SHOCK HAZARD:

- Turn OFF power switch, unplug power cord/turn off power at circuit breaker, and allow unit to cool before performing any cleaning, adjustments, or maintenance.
- DO NOT submerge or saturate with water. Unit is not waterproof. Do not operate if unit has been submerged or saturated with water.
- Do not steam clean or use excessive water on unit.
- Do not clean unit when it is energized or hot.

This unit has no “user-serviceable” parts. If service is required on this unit, contact an Authorized Hatco Service Agent or contact the Hatco Service Department at 414-671-6350.

Use only Genuine Hatco Replacement Parts when service is required. Failure to use Genuine Hatco Replacement Parts will void all warranties and may subject operators of the equipment to hazardous electrical voltage, resulting in electrical shock or burn. Genuine Hatco Replacement Parts are specified to operate safely in the environments in which they are used. Some aftermarket or generic replacement parts do not have the characteristics that will allow them to operate safely in Hatco equipment.

Recommended Cleaning Schedule

Complete cleaning and power flushing should be done:

- On a daily basis.
- Whenever food particles accumulate in the tank.
- Whenever a food product spill occurs.
- Whenever the unit is to be stored or shipped, especially in freezing temperatures.

Helpful Hints for Maximum Performance

- Keep inlet and outlet free of debris.
- Keep perforated water baffle (not supplied) in place and free of debris (FR2 units only).
- Delime unit using a non-corrosive deliming solution.

Daily Cleaning

1. Move the Power I/O (on/off) switch to the **O** (off) position and allow the unit and water to cool.
2. Drain water from the sink or holding vessel.
3. Connect one end of a drain hose onto the unit drain with the other end in a bucket or open site drain in a manner according to local plumbing codes.
4. Drain water from the unit.
 - Open the unit drain by moving the drain handle backward until it is in the horizontal position and allow all water to drain.
 - Unscrew and remove the pipe cap(s) from the clean-out drain(s) and allow all water to drain, if applicable.

5. Wipe visible deposits from the sink or holding vessel. For units with Auto-Fill, clean water sensor on sidewall of tank.
6. Close the drain by moving the drain handle toward the front of the unit until it stops.
7. Screw the pipe cap(s) onto the clean-out drain(s), if applicable.
8. Add appropriate cleaning solution to the unit.

For daily cleaning: Dissolve a safe, non-toxic, non-corrosive sanitizer into 1 gallon (3.7 L) of hot water and pour into sink or holding vessel. Allow to soak for a minimum of 15 minutes.

For removing lime and mineral deposits: Add a mixture of 50% water and 50% white vinegar into the heat tank through the sink strainer assemblies. Do not use flavored vinegar. Allow the unit to stand with the mixture in the reservoir for an appropriate period of time.

NOTE: The amount of lime and mineral content in the water and how often the unit is operated will dictate how often the unit needs to be delimed. Units used with water that contains high lime and mineral content may require deliming on a daily basis.

NOTE: The time required will vary depending on the solution used and amount of deposits in reservoir.

NOTE: Product failure caused by liming or sediment buildup is not covered under warranty.

9. After cleaning, drain all expended solution from the unit through the drain and the clean-out drain(s).
10. If applicable, scrub the clean-out drain(s) with the cleaning brush.
11. Thoroughly rinse unit with fresh water until discharge is clear and all sanitizers have been removed and rinsed.
12. Upon visual inspection, if tank is not thoroughly clean, repeat steps 8–11.
13. Close the drain by moving the drain handle toward the front of the unit until it stops.
14. Screw the pipe cap(s) onto the clean-out drain(s), if applicable.

Draining Heater For Service Protection

Use the following procedure when shutting down the unit for long periods of time.

1. Move the Power I/O (on/off) switch to the **O** (off) position.
2. Perform the entire “Cleaning” procedure in this section.
3. Turn off the electrical power supply to the heater.
4. Make sure the water has been drained from the unit **as well as** the sink or holding vessel.



WARNING

This unit must be serviced by trained and qualified personnel only. Service by unqualified personnel may lead to electric shock or burn.



WARNING

ELECTRIC SHOCK HAZARD: Turn OFF power switch, unplug power cord/turn off power at circuit breaker, and allow unit to cool before performing any cleaning, adjustments, or maintenance.

Symptom	Probable Cause	Corrective Action
Water temperature too high.	The electronic controller is set too high.	Adjust the electronic controller to the desired temperature.
The electronic controller shows temperature in C° instead of F° (or F° instead of C°).	The electronic controller was not programmed to the correct unit of measure.	Contact Authorized Service Agent or Hatco for assistance.
Water temperature too low.	Sink heaters need 30 minutes to reach a safe sanitizing temperature.	Turn ON the unit and wait 30 minutes for the unit to reach proper temperature.
	The electronic controller is set too low.	Adjust the electronic controller to the desired temperature.
Heating elements burn out.	The sink or holding vessel is dry or has a low level of water. (Sink or holding vessel should be filled with water to normal operating level.)	Contact Authorized Service Agent or Hatco for assistance.
	Deposits built up in the heater pipes are restricting water flow. (Perform the entire "Cleaning" procedure in MAINTENANCE.)	
The sink or holding vessel leaks.	Fittings are too loose or too tight.	Properly tighten any fittings that may be causing the unit to leak. Replace gasket, if necessary.
The Power I/O (on/off) switch is in the I (on) position but the unit is not heating the water.	The Energy Cut-Off switch was activated.	The unit overheated—likely due to a low water level. Fill the heater to the proper water level and turn the Power I/O (on/off) switch to the O (off) position and then to the I (on) position.
	Fuses may be blown, the circuit breaker may be tripped, or the power cord may be unplugged.	Check for proper fuse sizing and replace fuses, check/reset circuit breaker, and/or check/replace power cord.
	Drain handle not fully closed.	Move the drain handle to the vertical position.

Error Codes

There are three error codes that may show in the display:

- E1: Indicates that the display temperature is out of range or display temperature probe is malfunctioning. Contact Authorized Service Agent or Hatco for assistance.
- E2: Indicates that the control temperature is out of range or control temperature probe is malfunctioning. Contact Authorized Service Agent or Hatco for assistance.
- E3: Indicates that the low water probe has not been satisfied. The heating elements are not yet submersed. Check water supply and water shut-off valve.

Troubleshooting Questions?

If you continue to have problems resolving an issue, please contact the nearest Authorized Hatco Service Agency or Hatco for assistance. To locate the nearest Service Agency, log onto the Hatco website at www.hatcocorp.com, select the *Support* pull-down menu, and click on "Find A Service Agent"; or contact the **Hatco Parts and Service Team** at:

Telephone: 414-671-6350

e-mail: support@hatcocorp.com

Auto-Fill System

A factory-installed Auto-Fill feature is available for 3CS2 and FR2 models. Units equipped with Auto-Fill require the following steps before startup.

⚠ WARNING

ELECTRIC SHOCK HAZARD:

- Unit must be installed by qualified, trained installers. Installation must conform to all local electrical and plumbing codes. Installation by unqualified personnel will void the unit warranty and may lead to electric shock or burn, as well as damage to unit and/or its surroundings. Check with local plumbing and electrical inspectors for proper procedures and codes.
- Turn OFF power switch, turn off power at circuit breaker, and allow unit to cool before performing any cleaning, adjustments, or maintenance.

⚠ CAUTION

Auto-Fill units must be installed with adequate backflow protection and must conform with all federal, state, and local codes.

NOTICE

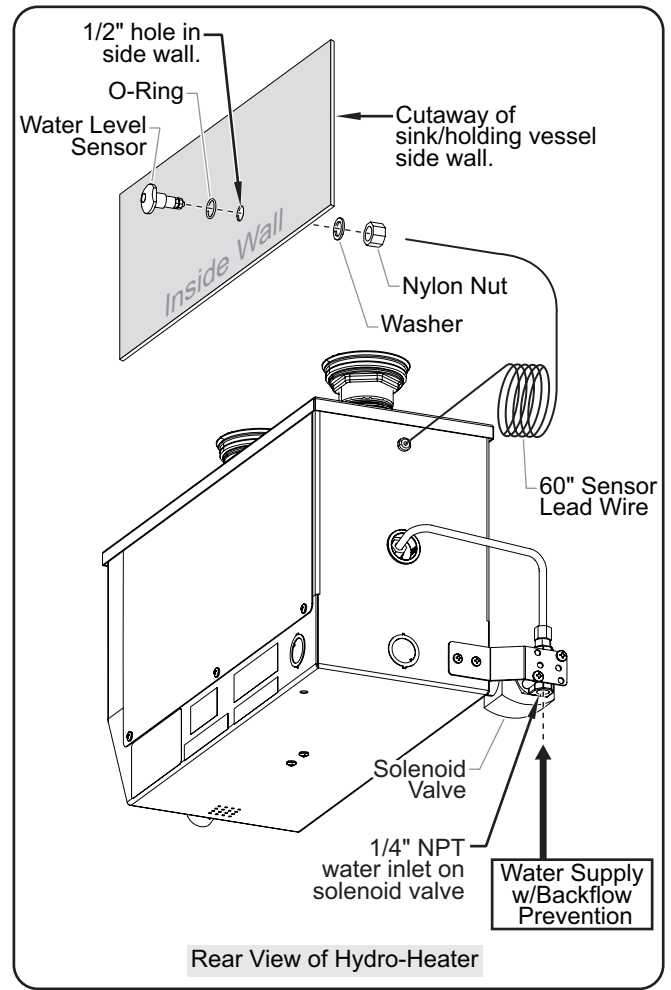
Do not exceed an incoming water temperature of 140°F (60°C) or incoming water pressure of 80 psi (550 kPa).

1. Make sure the Power I/O (on/off) switch to the **O** (off) position and power is off at the circuit breaker.
2. Connect 1/4" NPT copper water supply line to the water inlet of the solenoid valve near the back of the unit.

NOTE: Ball valve, line strainer, union(s), and vacuum breaker or other anti-siphon device must be supplied by table manufacturer or installer, if required.

3. Locate the desired point on the sidewall of the sink or holding vessel for the water level sensor to be installed.
 - Install the sensor in the sink or holding vessel at least 1/2" (13 mm) below any food pans or other object it could come into contact with. Incidental contact may cause false readings and damage.
 - Make sure the sensor is easily accessible for cleaning.
4. Mark and drill a 1/2" (13 mm) mounting hole into the side wall of the sink or holding vessel.
5. Deburr the hole to prevent burrs from cracking or damaging the probe when tightened.
6. Remove the large nylon nut and washer from the water level sensor.
7. Position the water level sensor into the sink or holding vessel making sure the o-ring is in place on the sensor against the inside wall.
8. Place the washer onto the threads of the water level sensor on the outside wall of the sink/holding vessel.
9. Secure with the nylon nut, making sure the flat side of the nut is toward the washer.

10. Tighten until snug. Be careful not to over-tighten the nut. Over-tightening may cause leaks and/or crack the sensor.
11. Turn on the water supply and check for leaks.
12. Connect the sensor lead wire that exits the back of the Hydro-Heater to the installed water level sensor.



Installing the Auto-Fill System

Security Package

A security package is a factory-installed option for 3CS2 and FR2 models. A security package contains Torx® screws and a control cover.

Remote Mounted Control

A remote mounted control is available for 3CS2 and FR2 models. The remote mounted control is shipped with a 45" (1143 mm) remote control cord and a remote plug cover.

Installing the Remote Mounted Control

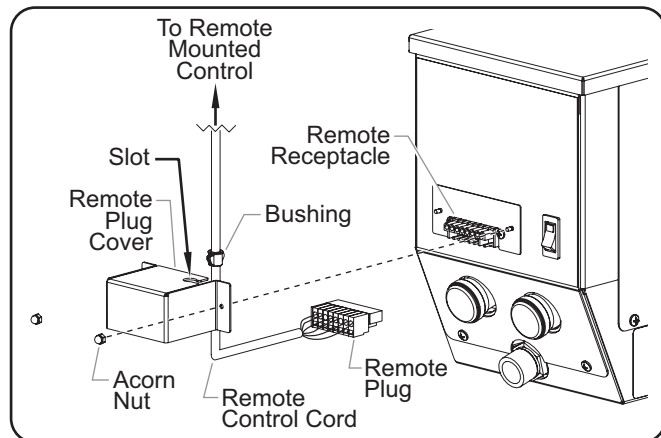
To install the remote mounted control:

1. Cut a hole 3" (77 mm) wide and 1-1/4" (32 mm) high in the vertical mounting surface.
2. Feed the remote control cord through the cutout.
3. Push the remote mounted control into the cutout until it snaps in place.

NOTE: If the cutout hole is too small, cut the hole to the appropriate size until the remote mounted control slides into the cutout hole and snaps into place.

Installing the Remote Plug Cover

1. Plug the remote plug into the remote receptacle on the unit.
2. Position the remote control cord into the slot on the remote plug cover, and install the cover over the remote plug on the unit. Secure in position using the acorn nuts.
3. Place the included bushing on the remote control cord above the slot on the remote plug cover.
4. Push the bushing down into the slot on the remote plug cover.



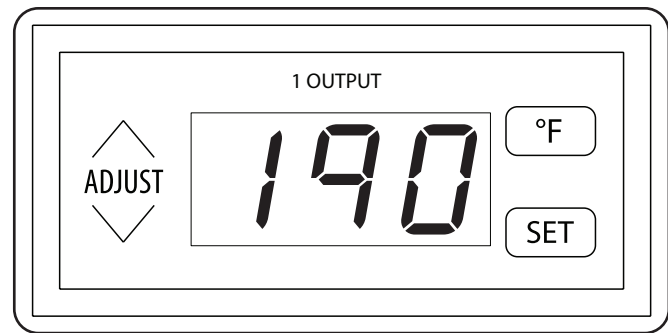
Installing the Remote Control Plug Cover

Changing the Setpoint Temperature

To set the remote mounted control to the desired setpoint temperature:

1. Touch the set key. The display will show "SP1".
2. Touch the set key again. The display will show the current setpoint temperature.
3. Touch the up arrow or down arrow to adjust the setpoint temperature. The display will show the new setpoint temperature.
4. Touch the set key when the desired setpoint temperature is shown. The display will go blank.
 - Wait 5 seconds and the unit will show the current operating temperature.

NOTE: If step 3 is interrupted or no changes are made for 15 seconds, the controller will go back to its original setting without accepting the change.



Remote Mounted Control

Flush Hose Kit

The Flush Hose Kit is available for 3CS2 and FR2 models and is used to power flush the unit to keep it working at peak efficiency. The kit consists of a drain stopper, cleaning brush, and adapter. Use the following procedure to power flush the unit.

1. Move the Power I/O (on/off) switch to the **O** (off) position and allow the unit and water to cool.
2. Connect one end of a drain hose onto the drain outlet and place the open end in a bucket or open site drain in a manner according to local plumbing codes.
3. Drain the sink or holding vessel by moving the drain handle backwards until it is completely horizontal. Water will now flow from the drain hose.
4. Place the rubber stopper into the inlet strainer.

NOTE: The inlet strainer is the strainer closest to the front of the unit.

5. Attach the flush hose with adapter to a fresh water supply, and place hose into outlet strainer. Flush fresh water through the unit until the discharge from the drain is clear.
6. Turn off the fresh water supply, and reverse the positions of the rubber stopper and the power flush hose. Flush fresh water through the unit again until discharge from the drain is clear.
7. Turn off the water supply, remove the rubber stopper and power flush hose, and allow the unit to finish draining.
8. Remove clean-out caps and insert cleaning brush into clean-out and drain outlets. Use a scrubbing motion to clean the chambers
9. Reinstall the clean-out caps.
10. Rinse fresh water through the unit until discharge is clear.
11. Close drain by moving the drain handle all of the way forward until it is completely vertical.

NOTE: Perform the entire "Daily Cleaning" procedure in the MAINTENANCE section of this manual if buildup is significant.

WARRANTY, EXCLUSIVE REMEDY:

Hatco Corporation (Seller) warrants that the products it manufactures (Products) will be free from defects in materials and workmanship under normal use and service and when stored, maintained, and installed in strict accordance with factory recommendations. Seller's sole obligation to the person or entity buying the Products directly from Seller (Customer) under this warranty is the repair or replacement by Seller or a Seller-authorized service agency, at Seller's option, of any Product or any part thereof deemed defective upon Seller's examination, for a period of: (i) the Warranty Duration from the date of shipment by Seller or (ii) the Warranty Duration from the date of Product registration in accordance with Seller's written instructions, whichever is later. The "Warranty Duration" shall mean the specific periods set forth below for specific Product components, or, to the extent not listed below, eighteen (18) months. Credit for Products or parts returned with the prior written permission of Seller will be subject to the terms shown on Seller's material return authorization form. PRODUCTS OR PARTS RETURNED WITHOUT PRIOR WRITTEN PERMISSION OF SELLER WILL NOT BE ACCEPTED FOR CREDIT. Expenses incurred by Customer in returning, replacing, or removing the Products will not be reimbursed by Seller. If the defect comes under the terms of the limited warranty, the Products will be repaired or replaced and returned to the Customer and the cost of return freight will be paid by Seller. The remedy of repair or replacement provided for herein is Customer's exclusive remedy. Any improper use, alteration, repairs, tampering, misapplication, improper installation, application of improper voltage, or any other action or inaction by Customer or others (including the use of any unauthorized service agency) that in Seller's sole judgment adversely affects the Product shall void this warranty. The warranty expressly provided herein may only be asserted by Customer and may not be asserted by Customer's customers or other users of the Products; provided, however, that if Customer is an authorized equipment dealer of Seller, Customer may assign the warranty herein to Customer's customers, subject to all of the limitations of these Terms, and in such case, the warranty shall be exclusively controlled by Seller in accordance with these Terms. THIS LIMITED WARRANTY IS EXCLUSIVE AND IS IN LIEU OF ANY OTHER WARRANTY, EXPRESSED OR IMPLIED, INCLUDING BUT NOT LIMITED TO ANY IMPLIED WARRANTY OF NONINFRINGEMENT, MERCHANTABILITY, OR FITNESS FOR A PARTICULAR PURPOSE, WHICH ARE EXPRESSLY DISCLAIMED.

One (1) Year Parts and Labor PLUS One (1) Additional Year Parts-Only Warranty:

- Conveyor Toaster Elements (metal sheathed)
- Drawer Warmer Elements (metal sheathed)
- Drawer Warmer Drawer Rollers and Slides
- Food Warmer Elements (metal sheathed)
- Display Warmer Elements (metal sheathed air heating)
- Holding Cabinet Elements (metal sheathed air heating)
- Heated Well Elements — HW, HWB, and HWBI Series (metal sheathed)

Two (2) Year Parts and Labor Warranty:

- Induction Ranges
- Induction Warmers

One (1) Year Replacement Warranty:

- TPT Pop-Up Toasters

One (1) Year Parts and Labor PLUS Four (4) Years Parts-Only Warranty:

- 3CS and FR Tanks

One (1) Year Parts and Labor PLUS Nine (9) Years Parts-Only Warranty:

- Electric Booster Heater Tanks
- Gas Booster Heater Tanks

Ninety (90) Day Parts-Only Warranty:

- Replacement Parts

Notwithstanding anything herein to the contrary, the limited warranty herein will not cover components in Seller's sole discretion such as, but not limited to, the following: coated incandescent light bulbs, fluorescent lights, heat lamp bulbs, coated halogen light bulbs, halogen heat lamp bulbs, xenon light bulbs, LED light tubes, glass components, and fuses; Product failure in booster tank, fin tube heat exchanger, or other water heating equipment caused by liming, sediment buildup, chemical attack, or freezing.

WARRANTY REGISTRATION INSTRUCTIONS:

Product registration must be submitted within 90 days from the date of shipment from our factory to qualify for additional coverage. Registration may be submitted through the form on Seller's website, through the form accessible through the QR code on the Product (where available), or by calling Customer Service with the required information at **414-671-6350**.

LIMITATION OF LIABILITY:

SELLER WILL NOT BE LIABLE FOR ANY INDIRECT, INCIDENTAL, CONSEQUENTIAL, PUNITIVE, EXEMPLARY, OR SPECIAL DAMAGES, INCLUDING WITHOUT LIMITATION ANY LOST PROFITS, COSTS OF SUBSTITUTE PRODUCTS, OR LABOR COSTS ARISING FROM THE SALE, USE, OR INSTALLATION OF THE PRODUCTS, FROM THE PRODUCTS BEING INCORPORATED INTO OR BECOMING A COMPONENT OF ANOTHER PRODUCT, OR FROM ANY OTHER CAUSE WHATSOEVER, WHETHER BASED ON WARRANTY (EXPRESSED OR IMPLIED) OR OTHERWISE BASED ON CONTRACT, TORT, OR ANY OTHER THEORY OF LIABILITY, AND REGARDLESS OF ANY ADVICE OR REPRESENTATIONS THAT MAY HAVE BEEN RENDERED BY SELLER CONCERNING THE SALE, USE, OR INSTALLATION OF THE PRODUCTS, EVEN IF SELLER IS AWARE OF THE POSSIBILITY OF SUCH DAMAGES. IN NO EVENT WILL SELLER'S AGGREGATE LIABILITY ARISING OUT OF OR RELATED TO THIS AGREEMENT EXCEED THE TOTAL AMOUNTS PAID TO SELLER BY CUSTOMER FOR THE PRODUCTS WITHIN THE THREE (3) MONTH PERIOD IMMEDIATELY PRECEDING THE EVENT GIVING RISE TO CUSTOMER'S CLAIM. THE LIMITATIONS SET FORTH HEREIN REGARDING SELLER'S LIABILITY SHALL BE VALID AND ENFORCEABLE NOTWITHSTANDING A FAILURE OF ESSENTIAL PURPOSE OF THE LIMITED REMEDY SPECIFIED IN THESE TERMS.

Seller reserves the right to update these Terms at any time, at its sole discretion, which become binding upon the date of publishing. For the most current version of our full Terms of Sale, see our website at: <https://www.hatcocorp.com/terms-of-sale>

Informations Importantes pour le Propriétaire.....	16	Mode d'emploi	24
Introduction.....	16	Généralités	24
Consignes de Sécurité Importantes.....	17	Maintenance.....	25
Description du Modèle.....	18	Généralités	25
Désignation du Modèle.....	19	Nettoyage Quotidien.....	25
Caractéristiques Techniques	19	Vidange du réchauffeur pour protection.....	25
Configuration des Fiches.....	19	Guide de Dépannage.....	26
Tableau des Caractéristiques électriques.....	19	Codes d'erreur.....	26
Dimensions	20	Options et Accessoires	27
Critères NSF.....	21	Garantie Limitée	29
Installation.....	21	Autorisés Distributeurs de Pièces.....	Couverture Arrière
Généralités	21		
Informations relatives aux dimensions	21		
Installation des modèles.....	22		
Informations électriques	23		

INFORMATIONS IMPORTANTES POUR LE PROPRIÉTAIRE

Noter le numéro de modèle, le numéro de série (situé sur le côté inférieur droit à l'avant de l'appareil) le voltage et la date d'achat de votre appareil ci-dessous. Veuillez avoir cette information à portée de la main si vous appelez Hatco pour assistance.

Modèle No. _____

Numéro de série _____

Voltage _____

Date d'achat _____

Enregistrez votre appareil!

Remplissez la garantie en ligne pour éviter les retards pour faire jouer la garantie. Accédez au site Web Hatco : www.hatcocorp.com, sélectionnez le menu déroulant : *Support (Assistance)*, puis cliquez sur « Warranty » (Garantie).

Horaires

ouvrables : 7h00 à 17h00 du lundi au vendredi
Heure du Centre (CT)
(Horaires d'été : juin à septembre—
7h00 à 17h00 du lundi au jeudi
7h00 à 16h00 le vendredi)

Téléphone: 414-671-6350

Courriel: support@hatcocorp.com



Service d'assistance et de pièces de rechange disponible 7j/7, 24h/24 aux États-Unis et au Canada en composant le +1-414-671-6350.

Des renseignements supplémentaires sont disponibles sur notre site Web à www.hatcocorp.com.

INTRODUCTION

Les réchauffeurs de cuve de désinfection Hydro-Heater 3CS2 et les réchauffeurs d'appareil de remise à température des aliments ou de bain-marie Hydro-Heater FR2 Hatco sont conçus pour fournir de l'eau à température contrôlée à un évier ou à un récipient de maintien situé au-dessus du réchauffeur. L'eau s'écoule par convection naturelle depuis le récipient de maintien directement dans une chambre d'eau tubulaire avec des dispositifs chauffants enroulés autour du tube de circulation. Les dispositifs chauffants ne sont pas en contact direct avec l'eau, ce qui réduit l'accumulation de sédiments et de calcaire sur le dispositif et prolonge leur durée de vie. L'eau chauffée remonte vers le haut et retourne dans le récipient.

Un thermostat électronique spécial maintient la température de consigne, ce qui garantit un fonctionnement réactif et efficace. Les raccordements électriques et de plomberie de l'appareil sont assemblés en usine et prêts à être installés.

Les Hydro-Heaters Hatco sont le fruit de recherches approfondies et d'essais sur le terrain. Les matériaux utilisés ont été sélectionnés pour un maximum de durabilité, une belle apparence et une performance optimale. Chaque appareil est minutieusement inspecté et testé avant expédition.

Ce manuel fournit les instructions d'installation, de sécurité et d'utilisation des réchauffeurs de cuve de désinfection et des réchauffeurs d'appareil de remise à température ou de bain-marie Hydro-Heater. Hatco vous recommande de lire l'ensemble des instructions d'installation et d'utilisation et toutes les consignes de sécurité dans ce manuel avant d'installer et d'utiliser l'appareil.

Les consignes de sécurité qui apparaissent dans ce manuel sont identifiées par les mots indicateurs suivants :

AVERTISSEMENT

AVERTISSEMENT indique une situation dangereuse qui, si elle n'est pas évitée, peut provoquer la mort ou des blessures graves.

ATTENTION

ATTENTION indique une situation dangereuse qui, si elle n'est pas évitée, peut provoquer des blessures légères ou moyennes.

AVIS

AVIS est utilisé pour des questions sans rapport avec des blessures corporelles.



Lisez les consignes de sécurité importantes suivantes avant d'utiliser cet équipement pour éviter toute blessure grave ou la mort et pour éviter d'endommager l'équipement ou la propriété.

⚠ AVERTISSEMENT

DANGER DE DÉCHARGE ÉLECTRIQUE :

- Les appareils fournis sans cordon ni prise électrique nécessitent un branchement câblé au système électrique sur place. Le câblage doit être mis à la terre de manière appropriée. Son voltage, ses dimensions et sa configuration doivent également correspondre aux spécifications électriques de l'appareil. Contactez un électricien qualifié pour procéder au choix et à l'installation des branchements électriques adaptés.
- Pour les appareils équipés d'un cordon électrique et d'une fiche, branchez l'appareil sur une prise électrique correctement reliée à la terre et qui correspond en tension, dimensions et configuration aux besoins de l'appareil. Si la fiche et la prise ne correspondent pas, contactez un électricien qualifié pour déterminer la taille et la tension adéquates et installer la prise électrique appropriée.
- L'appareil doit être installé par des installateurs professionnels qualifiés. L'installation doit être conforme à toutes les normes locales en matière d'électricité et de plomberie. Une installation par un personnel non qualifié aura pour conséquence une annulation de la garantie de l'appareil et peut entraîner une décharge électrique ou une brûlure, ainsi que des dommages pour l'appareil et/ou ses alentours. Vérifiez les procédures et les normes à suivre auprès de vos inspecteurs locaux en matière de plomberie et d'électricité.
- L'appareil n'est pas à l'épreuve des intempéries. Placer l'appareil à l'intérieur à une température ambiante de 21°C (70°F) minimum.
- Mettez l'interrupteur sur « ARRÊT », débranchez le cordon d'alimentation/coupez le courant au disjoncteur, et laissez refroidir l'appareil avant d'effectuer toute opération de nettoyage, de réglage ou d'entretien.
- NE PAS immerger l'appareil ni le saturer d'eau. L'appareil n'est pas étanche à l'eau. Ne pas le faire fonctionner s'il a été immergé ou saturé d'eau.
- Ne nettoyez pas l'appareil tant qu'il est branché ou chaud.
- Cet appareil n'est pas étanche aux jets. Ne pas utiliser de jet sous pression pour nettoyer l'appareil.
- Ne pas utiliser l'appareil si le cordon est endommagé ou usé.
- Ne pas tenter de réparer ni de changer un cordon électrique endommagé. Ce cordon doit être changé par Hatco, par un réparateur Hatco agréé ou par une personne de qualifications comparables.
- Pour les réparations, utiliser exclusivement des pièces de rechange Hatco d'origine. Utilisez des pièces détachées Hatco authentiques sous peine d'annuler toutes les garanties et d'exposer l'utilisateur à des tensions électriques dangereuses pouvant entraîner une électrocution ou des brûlures. Les pièces de rechange Hatco d'origine sont conçues pour fonctionner sans danger dans les environnements dans lesquels elles sont utilisées. Certaines pièces de rechange génériques ou de second marché ne présentent pas les caractéristiques leur permettant de fonctionner sans danger dans la matériel Hatco.

⚠ AVERTISSEMENT

DANGER D'INCENDIE :

- Installez l'appareil avec un minimum de 89 mm (3-1/2") d'espace entre le dessous de l'appareil et toutes les surfaces inflammables afin d'éviter toute combustion.
- L'utilisation de produits chimiques agressifs tels que l'eau de javel, les produits nettoyants contenant de la javel, les produits de nettoyage pour les fours ou tout produit de nettoyage inflammable sont proscrits pour nettoyer l'appareil.

Assurez-vous que tous les opérateurs ont été formés à l'utilisation sûre et correcte de l'appareil.

Hatco Corporation n'est pas responsable de la température réelle à laquelle les aliments sont servis. Il est de la responsabilité de l'utilisateur de s'assurer que les produits alimentaires sont maintenus et servis à une température sans danger.

Cet appareil ne contient aucune pièce réparable par l'utilisateur. Si cet appareil doit être réparé, contacter un réparateur Hatco agréé ou le Service après-vente Hatco au 414-671-6350.

⚠ ATTENTION

DANGER DE BRÛLURE :

- Certaines surfaces extérieures de l'appareil deviendront chaudes. Évitez tout contact inutile avec l'appareil.
- L'eau de vidange peut atteindre des températures supérieures à 93°C (200°F). Utilisez les matériaux de plomberie appropriés lors de l'installation du système de vidange.
- L'eau contenue dans le récipient peut atteindre des températures supérieures à 88°C (190°F). Utilisez une protection adaptée lorsque vous utilisez l'appareil.
- L'eau chaude contenue dans l'appareil peut causer des brûlures. Laissez l'appareil refroidir avant de le vider ou de le nettoyer.
- Ne réglez PAS la commande de la température sur une valeur supérieure à 88°C (190°F). Les appareils sont conçus pour chauffer l'eau jusqu'à 88°C. Une eau dont la température est supérieure à 88°C est très active et peut éclabousser l'opérateur, occasionnant des brûlures ou des blessures.

N'utilisez pas de tuyau d'extension sur les raccords d'entrée et de sortie des réchauffeurs d'eau. Vous risqueriez d'obtenir de mauvais résultats et de travailler dans des conditions dangereuses.

Les appareils équipés du système de remplissage automatique doivent être installés avec une protection anti-reflux adaptée et doivent être conformes aux lois nationales et locales en vigueur.

AVIS

Les appareils ne fonctionnent qu'à la tension spécifiée. Reportez-vous à l'étiquette des caractéristiques des exigences électriques avant de commencer l'installation. Le raccordement de l'appareil à une alimentation électrique inappropriée annulera la garantie du produit et risque d'endommager l'appareil.

Pour les appareils équipés du système de remplissage automatique, l'eau entrante ne doit pas dépasser une température de 60°C (140°F) ni une pression de 550 kPa (80 psi).

Cet appareil est réservée à un usage professionnel uniquement — il n'est PAS dédié à un usage personnel.

Ne mettez pas l'appareil sous tension tant que le récipient n'a pas été rempli d'eau. En cas de fonctionnement à sec, l'élément risque de griller.

Ne vidangez le récipient que lorsqu'il est hors tension, ou les éléments risquent de griller.

Les graisses standard et approuvées, utilisées lors de la fabrication, peuvent provoquer des fumées au cours du démarrage initial pendant 30 minutes. Il s'agit d'un état temporaire. Utilisez l'appareil correctement jusqu'à ce que la fumée se dissipe.

AVIS

N'exercez pas une force excessive lors du serrage des raccord-uniions ou des écrous. Un serrage excessif ou une force excessive peut entraîner des fuites.

L'eau entrante qui dépasse 0,75 grain de dureté par litre (GPL) (3 grains de dureté par gallon [GPG]) doit être traitée et adoucie avant d'être introduite dans le(s) réchauffeur(s) d'eau. L'eau contenant plus de 0,75 GPL (3 GPG) diminue l'efficacité, augmente la consommation d'énergie et réduit la durée de vie utile de l'appareil par le biais d'une augmentation de l'accumulation de calcaire. Les dommages du produit causés par une accumulation de calcaire ou de sédiments ne sont pas couverts par la garantie.

Utilisez uniquement des décalcificateurs qui ne sont pas corrosifs sur l'aluminium, le laiton et l'acier inoxydable. Les dommages de l'appareil causés par des matériaux corrosifs ne sont pas couverts par la garantie.

Contrôlez régulièrement l'appareil pour vérifier que le calcaire ou les sédiments ne s'y accumulent pas. Une accumulation de débris trop importante peut affecter la performance et réduire la durée de vie de l'appareil. Une panne de l'appareil causée par une accumulation de calcaire ou de sédiments n'est pas couverte par la garantie.

DESCRIPTION DU MODÈLE

Tous les Modèles

Les Hydro-Heaters 3CS2 et FR2 s'installent sous un bac ou un récipient, évitant ainsi d'obstruer l'intérieur du récipient. Les Hydro-Heaters sont équipés d'un réservoir d'eau tubulaire entouré d'un élément chauffant en spirale. Ils sont dotés d'une façade en acier inoxydable, d'un corps revêtu de poudre, d'un système de coupure en cas de faible niveau d'eau et d'un orifice de vidange très pratique.

Chaque appareil est garanti 1 an pour les pièces et la main d'œuvre. Tous les appareils sont livrés entièrement assemblés et prêts à être installés avec tous les joints et raccords.

Les caractéristiques optionnelles comprennent un corps et une base en acier inoxydable, un système de remplissage automatique, une commande à distance et une mesure de sécurité. Un tuyau de rinçage est disponible comme accessoire. Pour plus de détails, reportez-vous à la section OPTIONS ET ACCESSOIRES.

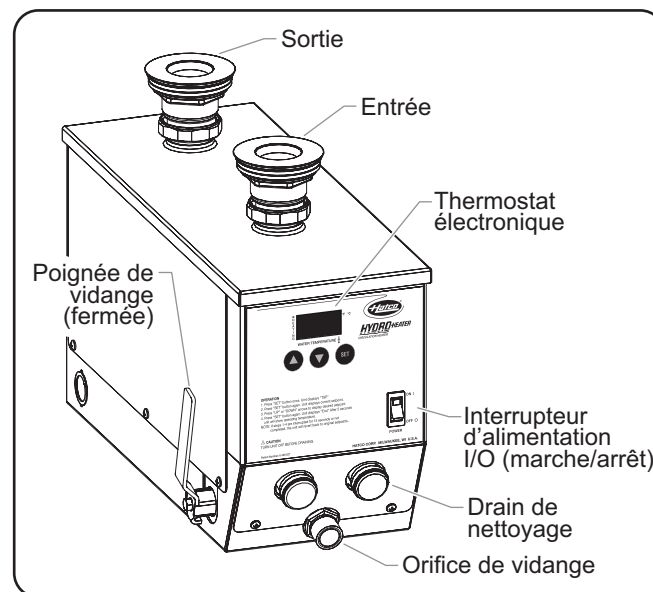
Modèles 3CS2

Le Hydro-Heater 3CS Hatco est adapté pour tout type de lavage de vaisselle à la main. Il maintient un approvisionnement continu d'eau de rinçage désinfectante à 82°C (180°F). Le réchauffeur utilise des commandes électroniques avancées et la technologie « free flow » pour garantir un fonctionnement réactif et efficace.

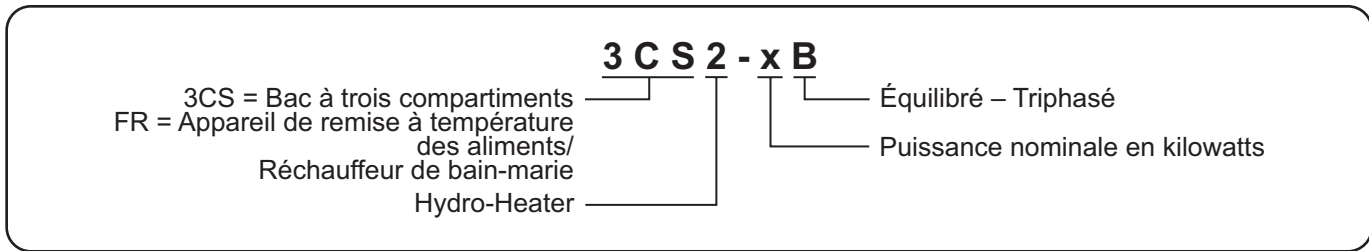
Modèles FR2

Le Hydro-Heater FR2 Hatco est conçu pour être utilisé avec un bain-marie ou un appareil de remise en température des aliments afin de réchauffer les aliments ou de les maintenir à une température comprise entre 60 et 88°C (140 et 190°F). Un thermostat électronique à affichage numérique maintient une température de consigne précise et la technologie « free flow » assure un fonctionnement réactif et efficace.

Les modèles FR2-3 et FR2-4 sont disponibles avec une fiche et un cordon de 1 219 mm (48") en option.



Hydro-Heater série 3CS2/FR2



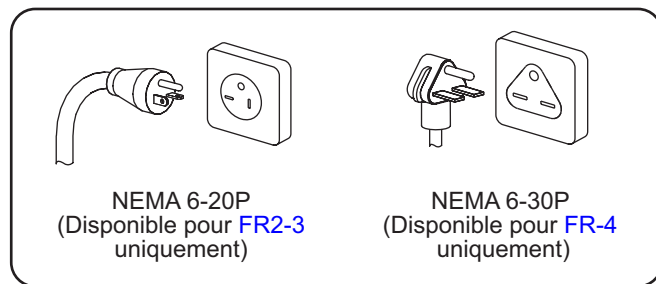
CARACTÉRISTIQUES TECHNIQUES

Configuration des fiches

Certains appareils sont initialement fournis par l'usine avec un cordon et une prise électriques préinstallés et sont expédiés avec un réceptacle. Les prises et les réceptacles fournis sont compatibles avec les applications prévues.

⚠ AVERTISSEMENT

DANGER DE DÉCHARGE ÉLECTRIQUE : Brancher l'appareil sur une prise de courant avec terre de tension, de format et de configuration des broches corrects. Si la fiche et la prise ne se correspondent pas, s'adresser à un électricien qualifié pour déterminer et installer une prise de courant de format et de tension corrects.



Configuration des fiches

NOTA: L'étiquette de spécification du produit est située sur la partie inférieure droite à l'avant de l'appareil. Reportez-vous à l'étiquette du numéro de série et les données électriques de l'appareil.

Tableau des Caractéristiques électriques— Modèles 3CS2

Modèle	Tension	Kilowatts	Phase	Amps	Taille des fils AWG*†	Fusible ou disjoncteur*	Poids d'embarquement
3CS2-3	208 V	3.0 kW	1	14.4 A	12	20 A	11 kg (24 lbs.)
3CS2-4	208 V	4.0 kW	1	19.2 A	10	30 A	11 kg (24 lbs.)
	240 V			16.7 A			
3CS2-6	208 V	6.0 kW	1	28.8 A	8	40 A	12 kg (27 lbs.)
3CS2-3B	208 V	3.0 kW	3 (Bal.)	8.4 A	14	15 A	11 kg (24 lbs.)
	240 V			7.3 A			
3CS2-4B	208 V	4.5 kW	3 (Bal.)	11.2 A	14	20 A	11 kg (24 lbs.)
	240 V			9.6 A		15 A	
3CS2-6B	208 V	6.0 kW	3 (Bal.)	16.7 A	12	30 A	12 kg (27 lbs.)
	240 V			14.5 A		20 A	
3CS2-9B	208 V	9.0 kW	3 (Bal.)	25 A	10	40 A	12 kg (27 lbs.)

* La taille des fils se base sur des fils de type THHN pour une protection du circuit de dérivation avec un coefficient de déclassement de 0,91. Les disjoncteurs et sectionneurs porte-fusibles doivent être montés séparément et raccordés par un électricien. Les tailles sont basées sur le tableau 310-16 du NEC 2002. La taille du conduit est basée sur les dimensions des conducteurs plus le fil de terre en fonction du Tableau C1 de l'Annexe C.

† La taille des fils se base sur des fils THHN prévus pour 90°C.

NOTA: Le poids d'embarquement comprend l'emballage.

Tableau des Caractéristiques électriques— Modèles FR2

Modèle	Tension	Kilowatts	Phase	Amps	Taille des fils AWG*†	Fusible ou disjoncteur*	Poids d'embarquement
FR2-3	208 V	3.0 kW	1	14.4 A	12	20 A	11 kg (24 lbs.)
FR2-4	208 V	4.0 kW	1	19.2 A	12	30 A	11 kg (24 lbs.)
	240 V			16.7 A			
FR2-6	208 V	6.0 kW	1	28.8 A	10	40 A	12 kg (27 lbs.)
FR2-3B	208 V	3.0 kW	3 (Bal.)	8.4 A	14	15 A	11 kg (24 lbs.)
	240 V			7.3 A			
FR2-4B	208 V	4.5 kW	3 (Bal.)	11.2 A	14	15 A	11 kg (24 lbs.)
	240 V			9.6 A			
FR2-6B	208 V	6.0 kW	3 (Bal.)	16.7 A	12	30 A	12 kg (27 lbs.)
	240 V			14.5 A		20 A	
FR2-9B	208 V	9.0 kW	3 (Bal.)	25 A	10	40 A	12 kg (27 lbs.)

* La taille des fils se base sur des fils de type THHN pour une protection du circuit de dérivation avec un coefficient de déclassement de 0,91. Les disjoncteurs et sectionneurs porte-fusibles doivent être montés séparément et raccordés par un électricien. Les tailles sont basées sur le tableau 310-16 du NEC 2002. La taille du conduit est basée sur les dimensions des conducteurs plus le fil de terre en fonction du Tableau C1 de l'Annexe C.

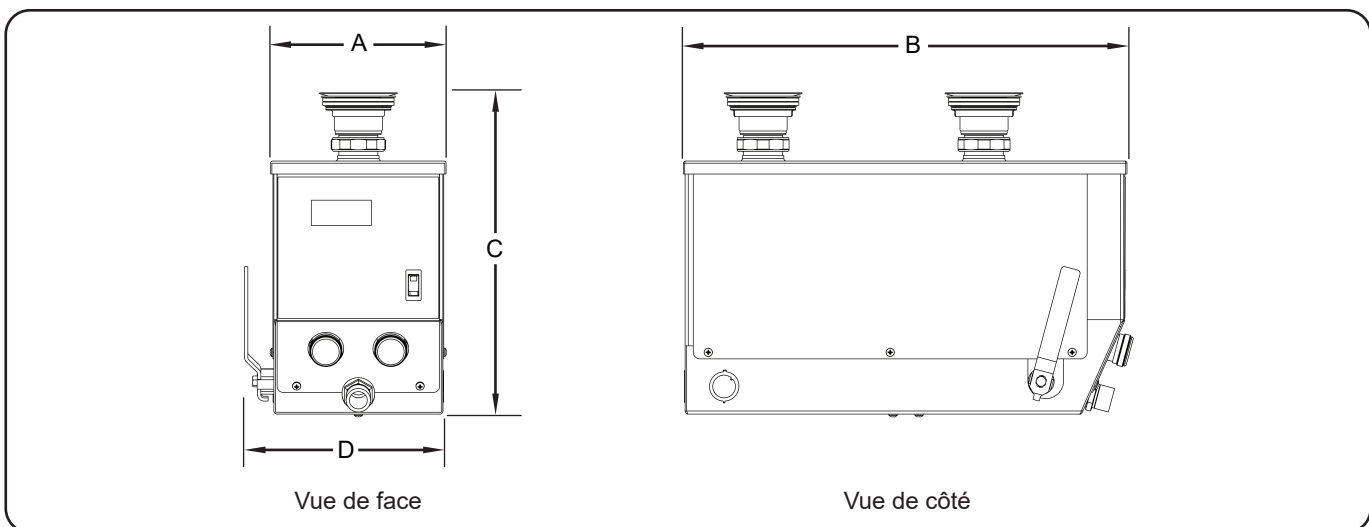
† La taille des fils se base sur des fils THHN prévus pour 90°C.

NOTA: Le poids d'embarquement comprend l'emballage.

Dimensions

Modèle	Largeur (A)	Profondeur (B)	Hauteur (C)	Largeur (D)‡
3CS2 and FR2	172 mm (6-3/4")	433 mm (17-1/8")	314 mm (12-3/8")	197 mm (7-3/4")

‡ Les appareils équipés du système de remplissage automatique ont une largeur (D) de 241 mm (9,5").



Dimensions— Modèles 3CS2 et FR2

Critères NSF

La norme 4 NSF vient d'ajouter des exigences de performance relatives à la remise en température des aliments. Ces exigences reflètent celles de la remise en température des aliments dans le code alimentaire de la FDA. L'exigence de base est que les aliments doivent atteindre une température de 74° C (165°F) dans un délai de 2 heures maximum.

Les appareils conçus pour remettre en température des aliments doivent répondre à ces exigences de performance pour figurer dans la norme 4 NSF.

Le réchauffeur série FR2 Hatco est spécialement conçu pour remettre en température des aliments. Toutefois, cet appareil est destiné à être intégré dans une marmite de remise en température. Hatco ne fournit pas le récipient d'eau ni le système qui détermine la mise en place et la tenue des aliments dans le récipient. L'appareil FR2 Hatco se fixe au bas du récipient et fournit de l'eau chaude au récipient.

Hatco met à disposition des caractéristiques techniques pour permettre au fabricant de l'appareil d'ajuster correctement l'appareil FR2 au récipient. Cependant, différents facteurs peuvent influencer sur la fabrication du récipient et peuvent l'empêcher de répondre aux exigences de performance NSF. L'appareil FR2 Hatco est certifié NSF pour la construction uniquement. Étant donné que l'appareil FR2 n'est qu'une partie d'un système plus grand, il n'est pas possible de réaliser des tests de performance tant que l'appareil FR2 n'est pas intégré au récipient.

Il incombe au fabricant du récipient de tester l'intégralité de l'appareil de remise en température et de le certifier conforme à la norme 4 NSF. Le fait de relier une unité FR2 certifiée NSF à l'appareil n'entraîne pas la certification NSF de l'intégralité de l'appareil.

INSTALLATION

Généralités

Les Hydro-Heaters 3CS2 et FR2 Hatco sont livrées entièrement assemblées. Veillez à ne pas endommager l'appareil et les composants qu'il renferme lors du déballage du carton d'expédition.



DANGER DE DÉCHARGE ÉLECTRIQUE :

- Les appareils fournis sans cordon ni prise électrique nécessitent un branchement câblé au système électrique sur place. Le câblage doit être mis à la terre de manière appropriée. Son voltage, ses dimensions et sa configuration doivent également correspondre aux spécifications électriques de l'appareil. Contactez un électricien qualifié pour procéder au choix et à l'installation des branchements électriques adaptés.
- Pour les appareils équipés d'un cordon électrique et d'une fiche, branchez l'appareil sur une prise électrique correctement reliée à la terre et qui correspond en tension, dimensions et configuration aux besoins de l'appareil. Si la fiche et la prise ne correspondent pas, contactez un électricien qualifié pour déterminer la taille et la tension adéquates et installer la prise électrique appropriée.
- L'appareil doit être installé par des installateurs professionnels qualifiés. L'installation doit être conforme à toutes les normes locales en matière d'électricité et de plomberie. Une installation par un personnel non qualifié aura pour conséquence une annulation de la garantie de l'appareil et peut entraîner une décharge électrique ou une brûlure, ainsi que des dommages pour l'appareil et/ou ses alentours. Vérifiez les procédures et les normes à suivre auprès de vos inspecteurs locaux en matière de plomberie et d'électricité.
- L'appareil n'est pas à l'épreuve des intempéries. Placer l'appareil à l'intérieur à une température ambiante de 21°C (70°F) minimum.

DANGER D'INCENDIE: Installez l'appareil avec un minimum de 89 mm (3-1/2") d'espace entre le dessous de l'appareil et toutes les surfaces inflammables afin d'éviter toute combustion.

1. Retirer l'appareil de sa boîte.

NOTA: Pour éviter un retard de service sous garantie, enregistrez la garantie en ligne. Pour des détails, voir la section INFORMATIONS IMPORTANTES POUR LE PROPRIÉTAIRE.

2. Retirer le ruban et le film de protection de toutes les surfaces de l'appareil.

Informations relatives aux dimensions

Hatco recommande de suivre les instructions ci-dessous pour garantir un bon fonctionnement et une bonne hygiène.

Pour les modèles 3CS2 utilisés avec un réchauffeur de bac

- 2 000 W minimum par pied carré (2,2 W par cm²) du haut de la cuve.
- Les appareils 3CS2 sont dimensionnés en fonction d'une alimentation en eau à 60°C (140°F) avec une période de préchauffage de 30 minutes pour atteindre la température de désinfection.

Pour les modèles FR2 utilisés avec un bain-marie ou une table à vapeur

- 750 W minimum par pied carré (0,8 W par cm²) du haut de la cuve.

Pour les modèles FR2 utilisés avec une marmite de remise à température des aliments

- 2 000 W minimum par pied carré (2,2 W par cm²) du haut de la cuve.

NOTA: Utiliser un appareil 3CS2 ou FR2 pour un récipient mesurant jusqu'à 1 829 mm (6') de long. Les appareils de plus de 1 829 mm nécessitent deux réchauffeurs minimum.

Installation des Modèles

Un gabarit en papier adhésif est livré avec l'appareil et sert à repérer les orifices de la crépine du bac. Utilisez la procédure suivante pour installer l'appareil dans un bac ou un récipient.

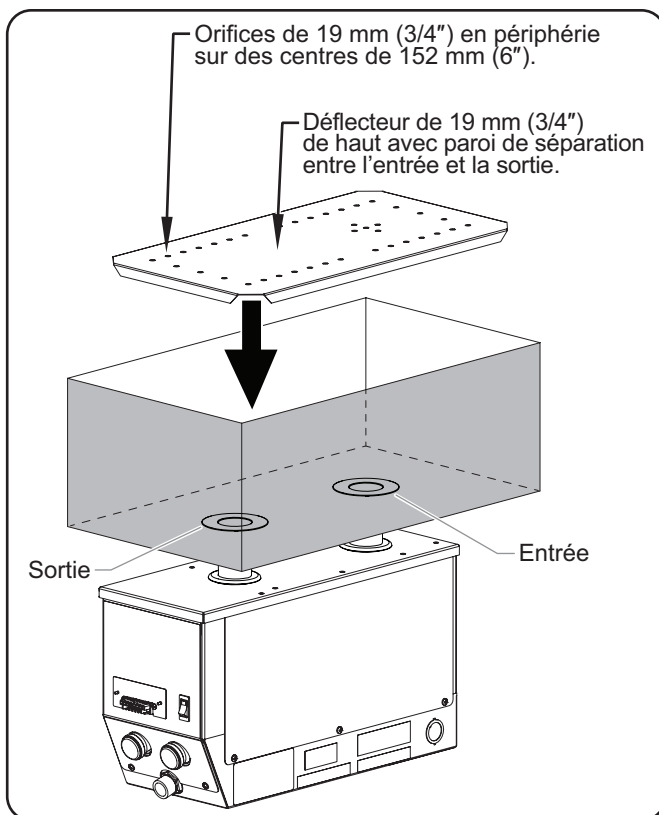
ATTENTION

DANGER DE BRÛLURE: L'eau de vidange peut atteindre des températures supérieures à 93°C (200°F). Utilisez les matériaux de plomberie appropriés lors de l'installation du système de vidange.

N'utilisez pas de tuyau d'extension sur les raccords d'entrée et de sortie des réchauffeurs d'eau. Vous risqueriez d'obtenir de mauvais résultats et de travailler dans des conditions dangereuses.

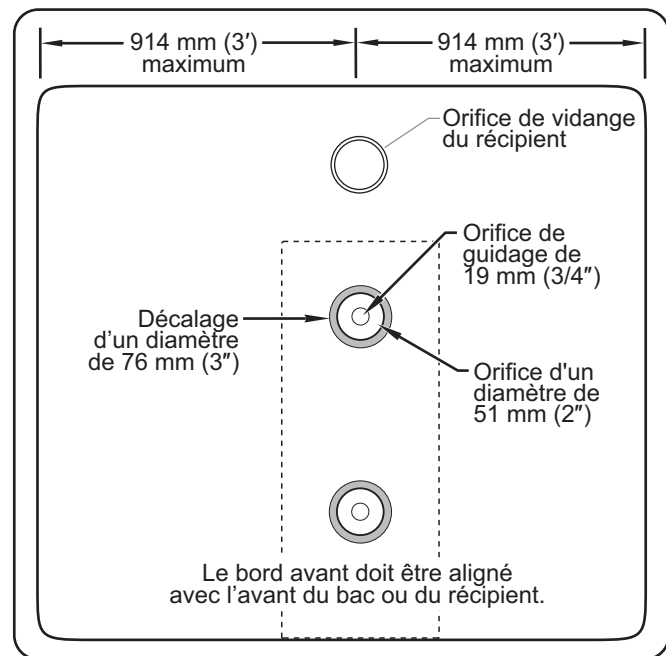
Les appareils équipés du système de remplissage automatique doivent être installés avec une protection anti-reflux adaptée et doivent être conformes aux lois nationales et locales en vigueur.

NOTA: Les modèles FR2 doivent être installés avec une chicane d'eau perforée (non fournie avec l'appareil) pour permettre une distribution adéquate de l'eau chaude. La chicane doit avoir une hauteur de 19 mm (3/4") avec une paroi de séparation entre l'entrée et la sortie. La chicane doit également comporter des orifices de 19 mm (3/4") en périphérie tous les 152 mm (6").



Installation du déflecteur d'eau (Modèles FR2)

NOTA: Les Hydro-Heaters 3CS2 doivent être montés au centre d'un bac ou d'un récipient.



Vue supérieure du bac ou du récipient

NOTA: Les lignes pointillées sur l'image ci-dessus indiquent la position de l'appareil sous le bac ou le récipient.

1. Dévoilez l'adhésif au dos du gabarit en papier et positionnez-le sur le fond du bac ou du récipient.

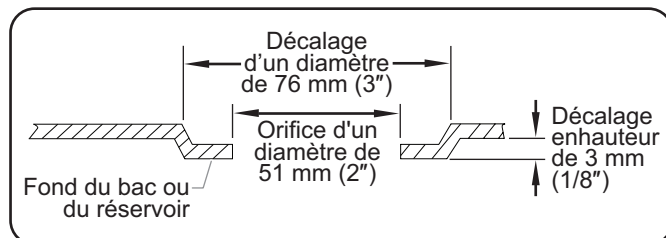
- L'autocollant doit se trouver exactement au-dessus de l'endroit où sera placé le Hydro-Heater, sous le bac ou le récipient.
- Assurez-vous que le bord avant de l'autocollant est aligné avec le bord avant du bac ou du récipient.
- Les modèles Hydro-Heater FR2 ne doivent pas être placés à plus de 914 mm (3') de chaque côté lorsqu'ils sont installés sous le bac ou le récipient.

2. Effectuez un pointage et percez un trou de guidage de 19 mm (3/4") à chaque repère central du gabarit.

NOTA: Les trous de guidage permettent le perçage de plus grands trous avec un perforateur à trous prédécoupés.

3. Retirez le gabarit et percez un trou d'un diamètre de 51 mm (2") au niveau de chaque trou de guidage à l'aide d'un perforateur à trous prédécoupés.

4. Effectuez un décalage de 3 mm (1/8") autour de chaque trou d'un diamètre 51 mm (2"). Le décalage doit correspondre à un diamètre de 76 mm (3") centré autour du trou.



Vue latérale du trou et du décalage

5. Dévissez l'ensemble de raccord d'évacuation du tuyau soudé sur le réchauffeur.

6. Dévissez le contre-écrou de l'ensemble du raccord d'évacuation et faites coulisser toutes les rondelles à l'exception de la rondelle de caoutchouc mince.

7. Maintenez la rondelle de caoutchouc fixée au raccord d'évacuation et faites glisser le raccord d'évacuation par l'orifice du bac par le haut.
8. Fixez l'ensemble de raccord d'évacuation au bac ou au récipient.
 - a. Sous le bac, faites glisser les 2 rondelles de caoutchouc épaisses, puis la rondelle de fibre sur le raccord d'évacuation.
 - b. Vissez le contre-écrou (côté plat vers le haut) sur le raccord d'évacuation.
9. Répétez les étapes 5 à 8 pour l'autre ensemble de raccord d'évacuation.
10. Fixez l'appareil sur le bac ou le récipient.
 - a. Placez l'appareil sous les 2 ensembles de raccord.

NOTA: Assurez-vous que les rondelles de jonction sont bien installées dans les écrous de jonction et qu'elles ne sont pas pincées.

- b. Vissez l'écrou de jonction sur l'ensemble de raccord d'évacuation fileté.

AVIS

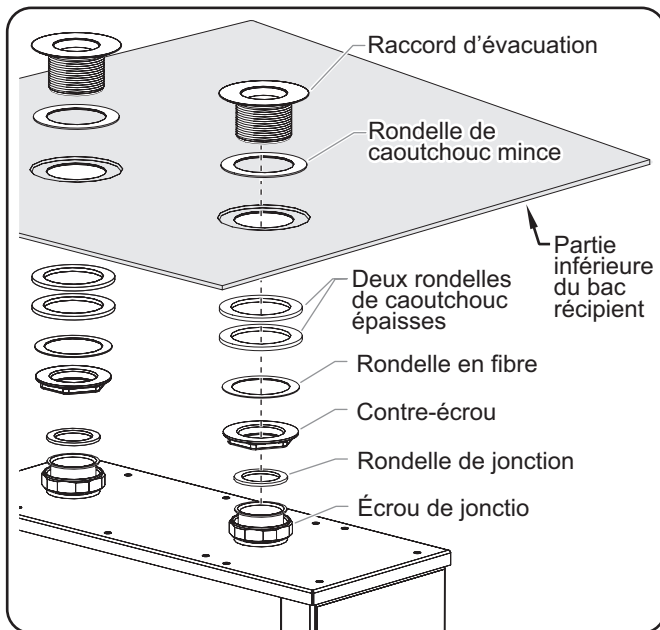
N'exercez pas une force excessive lors du serrage des raccord-union ou des écrous. Un serrage excessif ou une force excessive peut entraîner des fuites.

11. Serrez fermement tous les écrous.

NOTA: Consultez la section OPTIONS ET ACCESSOIRES pour plus d'informations sur l'installation du système de remplissage automatique.

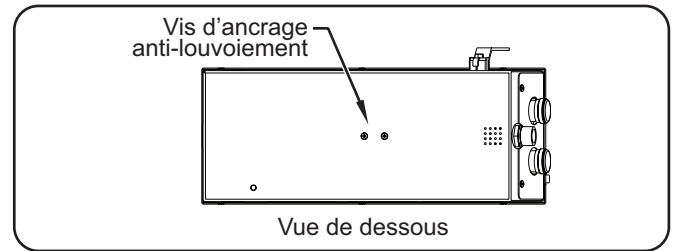
12. Remplissez le bac ou le récipient d'eau et vérifiez qu'il n'y a pas de fuite.

NOTA: Il est possible de raccorder un flexible ou un tuyau de 19 mm (3/4") à la vidange du carter et de l'acheminer vers une évacuation ouverte. La vidange du carter ne doit pas être raccordé en permanence au réseau sanitaire d'évacuation. Pour installer le tuyau de vidange de manière appropriée, consultez les réglementations de plomberie locales. Pour plus d'informations, reportez-vous à la section MAINTENANCE.



Installation d'un Hydro-Heater

NOTE: Les appareils exposés aux mouvements, comme les installations à bord des navires, doivent être stabilisés avant d'être mis en service. Deux points d'ancrage anti-louvoiement sont situés au centre inférieur de l'appareil. Fixez le matériel de stabilisation à ces points à l'aide des vis de 6,35 mm (1/4") fournies.



Points d'ancrage anti-louvoiement

Informations électriques

Les réchauffeurs d'eau 3CS2 et FR2 Hatco peuvent fonctionner avec des systèmes d'alimentation standard. Consultez l'étiquette des caractéristiques techniques pour connaître l'alimentation électrique appropriée.

AVIS

Les appareils sont spécifiques à la tension. Consultez l'étiquette des caractéristiques techniques pour connaître les exigences électriques avant de commencer l'installation. Raccorder l'appareil à une alimentation électrique inappropriée provoquera une annulation de la garantie de l'appareil et peut endommager l'appareil.

Les appareils sont livrés avec l'ensemble du câblage électrique et sont équipés de trois entrées électriques défonçables, une à l'arrière et une de chaque côté vers l'arrière. Lors de l'installation, faites passer les raccordements électriques par l'une de ces entrées.

NOTA: Les modèles à remplissage automatique sont dotés de deux entrées électriques défonçables, l'une à l'arrière et l'autre sur le côté droit vers l'arrière.

Seuls les modèles spécifiques **FR2-3** et **FR2-4** peuvent être commandés et fournis avec un cordon électrique et une fiche.

Généralités

Suivez les procédures ci-après pour faire fonctionner un réchauffeur d'eau.

⚠ AVERTISSEMENT

Lire tous les messages de sécurité de la section Consignes de sécurité importantes avant d'utiliser ce matériel.

⚠ ATTENTION

DANGER DE BRÛLURE :

- Certaines surfaces extérieures de l'appareil deviendront chaudes. Évitez tout contact inutile avec l'appareil.
- L'eau contenue dans le récipient peut atteindre des températures supérieures à 88°C (190°F). Utilisez une protection adaptée lorsque vous utilisez l'appareil.
- Les appareils sont conçus pour chauffer l'eau jusqu'à 88°C (190°F). NE réglez PAS la commande de la température sur une valeur supérieure à 88°C. Une eau dont la température est supérieure à 88°C est très active et peut éclauber l'opérateur, occasionnant des brûlures ou des blessures.

AVIS

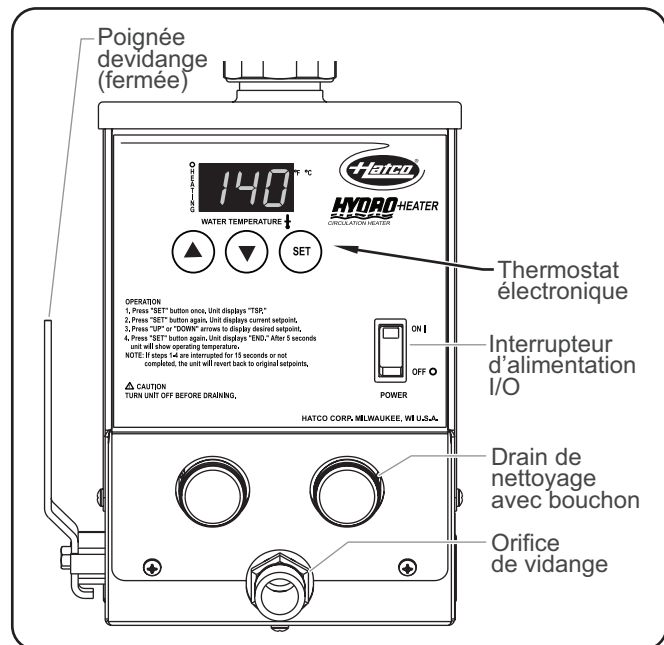
Ne mettez pas l'appareil sous tension tant que le récipient n'a pas été rempli d'eau. En cas de fonctionnement à sec, un élément risque de griller.

PURGEZ toujours le récipient que lorsqu'il est hors tension, ou les éléments risquent de griller.

1. Pour les appareils câblés, vérifiez que l'interrupteur ou le disjoncteur est en position « on ». Pour les appareils à cordon et à fiche, veillez à ce que l'appareil soit branché sur une prise électrique correctement reliée à la terre et qui correspond en tension, dimensions et configuration aux besoins de l'appareil. Pour plus de détails, consultez la section CARACTÉRISTIQUES.
2. Veillez à ce que les capuchons de tuyau (s'ils sont fournis) soient bien serrés sur les drains de nettoyage.
3. Fermez le carter de vidange en actionnant la poignée de vidange vers l'avant de l'appareil jusqu'à ce qu'elle s'arrête.
4. Remplissez le bac ou le récipient avec de l'eau chaude du robinet jusqu'au niveau normal de fonctionnement.
 - Pour les appareils équipés du système de remplissage automatique, ouvrez le robinet d'arrivée d'eau et vérifiez que le bac ou le récipient se remplit d'eau.
5. Placez l'interrupteur d'alimentation I/O (marche/arrêt) sur I (marche).
 - L'écran de TEMPÉRATURE DE L'EAU s'allume pour indiquer que l'appareil est sous tension.

NOTA: Appareils équipés du système de remplissage automatique uniquement—Lorsque le niveau d'eau dans le réservoir atteint la sonde de bas niveau, l'écran affiche la température actuelle de l'eau et un petit voyant rouge s'allume dans le coin supérieur gauche de l'écran pour indiquer que les éléments chauffants sont sous tension. L'eau continue de remplir le réservoir jusqu'à atteindre la sonde de niveau d'eau supérieur. Les éléments chauffants restent allumés jusqu'à ce que l'eau du réservoir atteigne la température de consigne programmée.

6. Réglez le thermostat électronique sur la température de consigne souhaitée.
 - a. Appuyez sur la touche **SET**. L'écran de TEMPÉRATURE DE L'EAU indique « TSP ».
 - b. Appuyez à nouveau sur la touche **SET**. L'écran de TEMPÉRATURE DE L'EAU indique la température de consigne actuelle.
 - c. Appuyez sur la touche **▲** ou **▼** pour modifier la température de consigne. L'écran de TEMPÉRATURE DE L'EAU indique la nouvelle température de consigne.
 - d. Appuyez sur la touche **SET**. L'écran de TEMPÉRATURE DE L'EAU affiche « End ». Attendez 5 secondes que l'appareil affiche la température de fonctionnement actuelle.



Panneau de Commande

NOTA: Si le réglage de la température de consigne est interrompu ou si aucune modification n'est apportée pendant 15 secondes, le thermostat revient à son réglage d'origine sans accepter la modification.

NOTA: Si l'écran de TEMPÉRATURE DE L'EAU indique « E2 », la sonde interne de détection de l'eau est en dehors de la plage de températures. Si cela se produit, contactez l'équipe pièces et service Hatco ou un agent de service agréé dans votre région pour obtenir de l'aide.

NOTA: Si l'écran de TEMPÉRATURE DE L'EAU indique « E3 », la sonde de détection de bas niveau d'eau ne détecte pas d'eau. Les éléments chauffants ne s'activent pas tant que la sonde n'est pas immergée dans l'eau. Dans ce cas, ajoutez de l'eau ou vérifiez le raccordement à l'alimentation en eau.

Généralités

Les réchauffeurs d'eau Hatco sont conçus pour offrir une durabilité et des performances maximales avec un minimum d'entretien.



DANGER DE DÉCHARGE ÉLECTRIQUE :

- Éteignez l'appareil, débranchez le cordon d'alimentation/coupez l'alimentation au niveau du coupe-circuit et laissez refroidir avant une maintenance ou un nettoyage.
- NE PAS immerger l'appareil ni le saturer d'eau. L'appareil n'est pas étanche à l'eau. Ne pas le faire fonctionner s'il a été immergé ou saturé d'eau.
- Ne pas nettoyer l'appareil lorsqu'il est sous tension ou chaud.
- Ne pas nettoyer à la vapeur ni utiliser trop d'eau sur l'appareil.

Cet appareil ne contient aucune pièce réparable par l'utilisateur. Si cet appareil doit être réparé, contacter un réparateur Hatco agréé ou le Service après-vente Hatco au +1-414-671-6350.

Pour les réparations, utiliser exclusivement des pièces de rechange Hatco d'origine. Utilisez des pièces détachées Hatco authentiques sous peine d'annuler toutes les garanties et d'exposer l'utilisateur à des tensions électriques dangereuses pouvant entraîner une électrocution ou des brûlures. Les pièces de rechange Hatco d'origine sont conçues pour fonctionner sans danger dans les environnements dans lesquels elles sont utilisées. Certaines pièces de rechange génériques ou de second marché ne présentent pas les caractéristiques leur permettant de fonctionner sans danger dans la matériel Hatco.

Programme de nettoyage recommandé

Un nettoyage complet et un rinçage doivent être effectués :

- Quotidiennement.
- Lorsque des résidus alimentaires s'accumulent dans le réservoir.
- Dans le cas d'un déversement non alimentaire.
- Lorsque vous devez ranger ou expédier l'appareil lors de températures extrêmement basses.

Conseils utiles

- Veillez à ce qu'aucun résidu ne réside au niveau de l'entrée et de la sortie.
- Maintenez en place la chicane d'eau perforée (non fournie) et assurez-vous qu'elle ne contient aucun résidu (appareils FR2 uniquement).
- Détartez l'appareil à l'aide d'une solution de détartrage non corrosive.

Nettoyage Quotidien

1. Mettez l'interrupteur d'alimentation I/O (marche/arrêt) en position **O** (Arrêt) et attendez que l'appareil et l'eau refroidissent.
2. Videz l'eau de l'évier ou du récipient.
3. Raccordez une extrémité du tuyau de vidange du carter de vidange à l'autre extrémité d'un seau ou d'une évacuation ouverte conformément aux normes locales en matière de plomberie.

4. Videz l'eau de l'appareil.

- Ouvrez le carter de vidange en actionnant la poignée vers l'arrière jusqu'à ce qu'elle se trouve en position horizontale et laissez l'eau s'écouler.
- Dévissez et retirez le ou les bouchons du drain de nettoyage et laissez l'eau s'écouler, le cas échéant.

5. Essuyez les dépôts visibles dans l'évier ou le récipient. Nettoyez le capteur d'eau sur la paroi latérale du réservoir des appareils équipés du système de remplissage automatique.
6. Fermez le carter de vidange en actionnant la poignée de vidange vers l'avant de l'appareil jusqu'à ce qu'elle s'arrête.
7. Vissez le ou les bouchons du drain de nettoyage, le cas échéant.
8. Ajoutez la solution de nettoyage appropriée à l'appareil.

Pour le nettoyage quotidien : Ajoutez un désinfectant sûr, non toxique et non corrosif à 3,7 litres (1 gallon) d'eau chaude et versez le mélange dans le bac ou le récipient. Laissez tremper pendant au moins 15 minutes.

Pour le retrait des dépôts de calcaire et de minéraux : Remplissez le réservoir de chauffage avec un mélange de 50% d'eau et de 50% de vinaigre blanc par le biais des crépines du bac. N'utilisez pas de vinaigre parfumé. Laissez le mélange reposer dans le réservoir de l'appareil pendant un laps de temps approprié.

NOTA: La fréquence de détartrage de l'appareil dépend de la quantité de chaux et de minéraux contenue dans l'eau et de la fréquence d'utilisation de l'appareil. Les appareils utilisés avec de l'eau fortement concentrée en chaux et en minéraux peuvent nécessiter un détartrage quotidien.

NOTA: Le délai requis varie en fonction de la solution utilisée et de la quantité de dépôts dans le réservoir.

NOTA: La défaillance du produit causée par l'accumulation de tartre ou de sédiments n'est pas couverte par la garantie.

9. Une fois le nettoyage terminé, vidangez toute la solution de l'appareil via le système de vidange et le ou les drains de nettoyage.
10. Le cas échéant, frottez le ou les drains de nettoyage avec la brosse de nettoyage.
11. Rincez abondamment l'appareil à l'eau douce jusqu'à ce que l'écoulement soit clair et que le désinfectant ait été complètement évacué et rincé.
12. Si, après vérification visuelle, le réservoir n'est pas parfaitement nettoyé, répétez les étapes 8 à 11.
13. Fermez le carter de vidange en actionnant la poignée de vidange vers l'avant de l'appareil jusqu'à ce qu'elle s'arrête.
14. Vissez le ou les bouchons du drain de nettoyage, le cas échéant.

Vidange du réchauffeur pour la protection de service

Suivez la procédure ci-après lorsque vous mettez l'appareil hors tension pendant de longues périodes.

1. Placez l'interrupteur d'alimentation I/O (marche/arrêt) en position **O** (Arrêt).
2. Effectuez la procédure de « Nettoyage » complète décrite dans cette section.
3. Mettez le réchauffeur hors tension.
4. Assurez-vous que l'eau a bien été vidangée de l'appareil ainsi que le bac et le récipient.

⚠ AVERTISSEMENT

La réparation de cet appareil doit être confiée exclusivement à du personnel qualifié. Les réparations par des personnes non qualifiées peuvent provoquer des décharges électriques et des brûlures.

⚠ AVERTISSEMENT

DANGER DE DÉCHARGE ÉLECTRIQUE: Éteignez l'appareil, débranchez le cordon d'alimentation/coupez l'alimentation au niveau du coupe-circuit et laissez refroidir avant une maintenance ou un nettoyage.

Symptôme	Cause Probable	Solution
Température de l'eau trop élevée.	La commande de la température de l'eau est réglée à un niveau trop élevé.	Réglez la commande de la température de l'eau sur la température souhaitée.
Le thermostat électronique affiche la température en °C au lieu de °F (ou en °F au lieu de °C).	Le thermostat électronique n'a pas été programmé avec la bonne unité de mesure.	Contactez votre agent de maintenance agréé ou Hatco pour toute demande d'assistance.
Température de l'eau trop basse.	Les réchauffeurs d'eau mettent environ 30 minutes à atteindre une température sûre de désinfection.	Patientez 30 minutes afin d'atteindre une température de fonctionnement convenable.
	La commande de la température de l'eau est réglée à un niveau trop bas.	
Les éléments de chauffage sont grillés.	Le bac ou le récipient est sec ou a un faible niveau d'eau. (Remplissez le bac ou le récipient avec de l'eau jusqu'au niveau normal de fonctionnement.)	Contactez votre agent de maintenance agréé ou Hatco pour toute demande d'assistance.
	L'accumulation de dépôts dans le réchauffeur empêche l'eau de circuler. (Effectuez la procédure de « nettoyage » complète décrite dans cette section.)	
Le bac ou le récipient fuit.	Les raccords sont trop lâches ou trop serrés.	Ajustez les raccords qui peuvent occasionner la fuite de l'appareil. Repositionnez le joint le cas échéant.
L'interrupteur à bascule I/O (Marche/Arrêt) est sur I (Marche) mais l'appareil ne chauffe pas l'eau.	Le système de coupure en cas de faible niveau d'eau s'est déclenché.	L'appareil s'est arrêté en raison d'un faible niveau d'eau ou d'une surchauffe. Remplissez le réchauffeur avec un niveau d'eau approprié et mettez l'interrupteur d'alimentation I/O (marche/arrêt) en position O (Arrêt), puis sur I (Marche).
	Les fusibles ont peut-être fondu, le disjoncteur de circuit s'est déclenché ou le cordon d'alimentation est peut-être débranché.	Vérifiez que les fusibles sont correctement dimensionnés et remplacez les fusibles, vérifiez/réenclenchez le disjoncteur de circuit et/ou vérifiez/remplacez le cordon d'alimentation.
	La poignée de vidange n'est pas complètement fermée.	Placez la poignée de vidange en position verticale.

Codes d'erreur

Trois codes d'erreur peuvent s'afficher :

- E1 : indique que la température affichée est hors limites ou que la sonde d'affichage de température ne fonctionne pas correctement. Contactez Hatco ou un réparateur agréé pour obtenir de l'aide.
- E2 : indique que la température de contrôle est hors limites ou que la sonde de température de contrôle ne fonctionne pas correctement. Contactez Hatco ou un réparateur agréé pour obtenir de l'aide.
- E3 : Indique que la sonde de faible niveau d'eau n'a pas été remplie. Les éléments chauffants ne sont pas encore submergés. Vérifiez l'arrivée d'eau et la vanne d'arrêt d'eau.

Vous avez des questions en ce qui concerne les pannes?

Si le problème persiste, veuillez contacter l'agence d'entretien agréée Hatco la plus proche ou Hatco pour obtenir une assistance. Pour trouver l'agence d'entretien la plus proche, rendez-vous sur le site Internet de Hatco (www.hatcocorp.com) et sélectionnez le menu déroulant *Support (Assistance)*, puis cliquez sur « Find A Service Agent » (trouver un agent d'entretien); ou contactez l'équipe d'entretien et de pièces détachées de Hatco :

Numéro de téléphone: +1-414-671-6350

Courriel: support@hatcocorp.com

Système de remplissage automatique

Une fonction de remplissage automatique installée en usine est disponible pour les modèles 3CS2 et FR2. Les appareils équipés du système de remplissage automatique nécessitent les étapes suivantes avant la mise en marche.

⚠ AVERTISSEMENT

RISQUE D'ÉLECTROCUTION:

- L'appareil doit être installé par des installateurs formés et qualifiés. L'installation doit être conforme à toutes les normes locales en matière d'électricité et de plomberie. Une installation par un personnel non qualifié provoquera une annulation de la garantie de l'appareil. Elle peut également entraîner un choc électrique ou une brûlure et endommager l'appareil et/ou les zones environnantes. Vérifiez les procédures et les normes à suivre auprès de vos inspecteurs locaux en matière de plomberie et d'électricité.
- Placez l'interrupteur sur « OFF », coupez le courant au niveau du disjoncteur et laissez l'appareil refroidir avant d'effectuer toute opération de nettoyage, de réglage ou d'entretien.

⚠ ATTENTION

Les appareils équipés du système de remplissage automatique doivent être installés avec une protection anti-reflux adaptée et doivent être conformes aux lois nationales et locales en vigueur.

AVIS

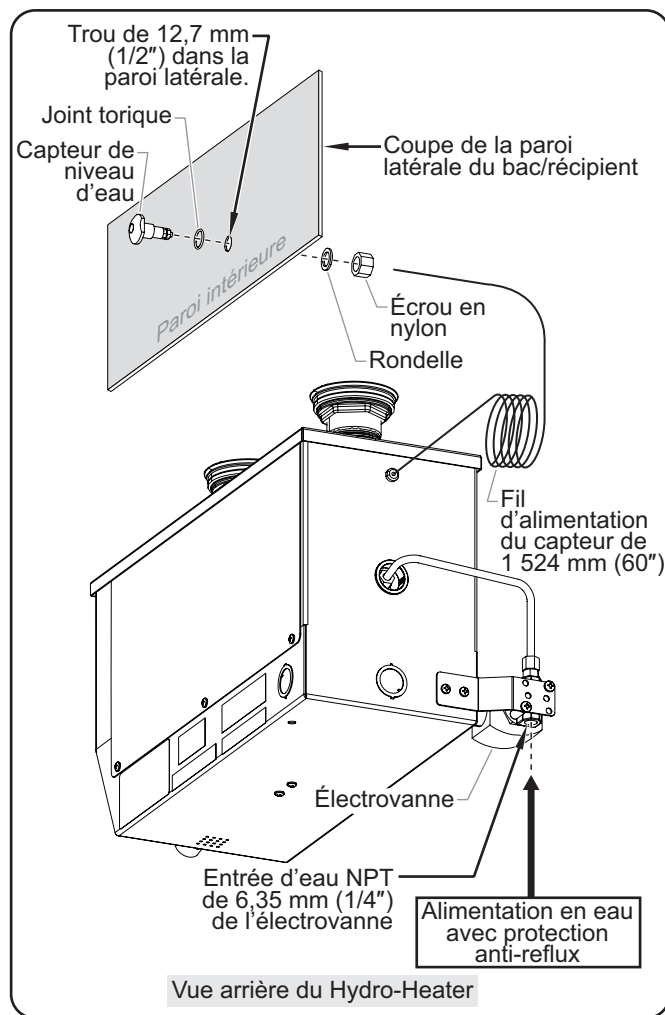
Pour les appareils équipés du système de remplissage automatique, l'eau entrante ne doit pas dépasser une température de 60 °C (140 °F) ni une pression de 550 kPa (80 psi).

1. Assurez-vous que l'interrupteur d'alimentation I/O (marche/arrêt) est en position **O** (arrêt) et que l'alimentation est coupée au niveau du disjoncteur.
2. Raccordez la conduite en cuivre d'alimentation en eau NPT de 6,35 mm (1/4") à l'entrée d'eau de l'électrovanne située à l'arrière de l'appareil.

NOTA: Si nécessaire, une vanne à bille, un filtre à tamis, un ou des raccords et un casse-vide ou d'autres dispositifs anti-siphonnage doivent être fournis par le fabricant ou l'installateur.

3. Localisez l'endroit souhaité sur la paroi latérale du bac ou du récipient pour installer le capteur de niveau d'eau.
 - Installez le capteur dans le bac ou le récipient à au moins 13 mm (1/2") en dessous de toute casserole ou de tout autre objet avec lequel il pourrait entrer en contact. Un contact accidentel peut causer des mesures erronées et des dommages à l'appareil.
 - Veillez à ce que le capteur soit facilement accessible pour le nettoyage.
4. Marquez et percez un trou de fixation de 13 mm (1/2") dans la paroi latérale du bac ou du récipient.
5. Ébavurez le trou pour éviter que les débris ne fissurent ou n'endommagent le capteur lorsqu'il est fixé.
6. Retirez le gros écrou en nylon et la rondelle du capteur de niveau d'eau.

7. Placez le capteur de niveau d'eau dans le bac ou le récipient en veillant à ce que le joint torique soit en place entre le capteur et la paroi intérieure.
8. Placez la rondelle sur le filetage du capteur de niveau d'eau sur la paroi extérieure du bac ou du récipient.
9. Fixer avec l'écrou en nylon, en veillant à ce que le côté plat de l'écrou soit orienté vers la rondelle.
10. Serrez jusqu'à ce qu'il soit bien en place. Veillez à ne pas trop serrer l'écrou. Un serrage excessif peut provoquer des fuites et/ou fissurer le capteur.
11. Mettez l'alimentation en eau en route et recherchez les fuites éventuelles.
12. Branchez le fil d'alimentation du capteur qui sort de l'arrière du Hydro-Heater au capteur de niveau d'eau installé.



Installation du système de remplissage automatique

Mesure de sécurité

La mesure de sécurité est une option installée en usine sur les modèles 3CS2 et FR2 uniquement. La mesure de sécurité comprend des vis Torx® et un couvercle de commande.

Commande à distance

Une commande à distance est disponible pour les modèles 3CS2 et FR2. La commande à distance est livrée avec un cordon de la commande à distance de 1 143 mm (45") et un couvercle de prise de la commande à distance.

Installation de la commande à distance

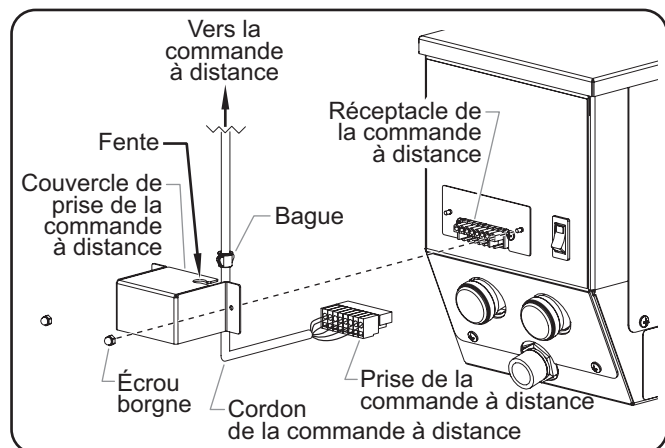
Pour installer la commande à distance :

1. Découpez un trou de 77 mm (3") de large et de 32 mm (1,25") de haut dans la surface de montage verticale.
2. Faites passer le cordon de la commande à distance par la découpe.
3. Poussez la commande à distance dans l'ouverture jusqu'à ce qu'elle s'encastre.

NOTA: Si la découpe est trop petite, ajustez la à la taille appropriée jusqu'à ce que la commande à distance passe dans le trou découpé et s'encastre.

Installation du couvercle de prise de la commande à distance

1. Branchez la fiche de la commande à distance dans le réceptacle de la commande à distance de l'appareil.
2. Placez le cordon de la commande à distance dans la fente du couvercle de prise de la commande à distance et installez le couvercle sur la prise de la commande à distance de l'appareil. Fixez en position à l'aide des écrous borgnes.
3. Placez la bague fournie sur le cordon de la commande à distance, au-dessus de la fente du couvercle de prise de la commande à distance.
4. Poussez la bague vers le bas dans la fente du couvercle de prise de la commande à distance.



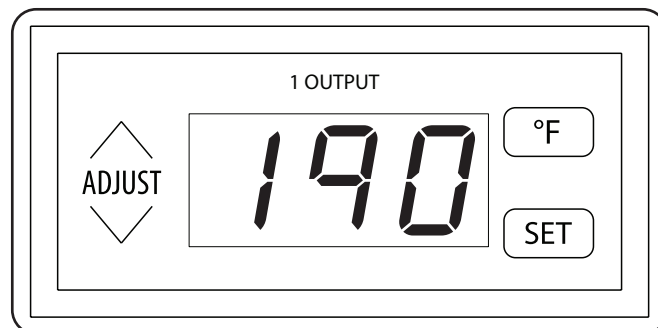
Installation du couvercle de prise de la commande à distance

Modification de la température de consigne

Pour régler la commande à distance sur la température de consigne souhaitée :

1. Appuyez sur la touche « set ». L'écran affiche « SP1 ».
2. Appuyez à nouveau sur la touche « set ». L'écran indique la température de consigne actuelle.
3. Appuyez sur la touche « haut » ou « bas » pour régler la température de consigne. L'écran indique la nouvelle température de consigne.
4. Appuyez sur la touche « set » lorsque la température de consigne souhaitée s'affiche. L'écran devient vide.
 - Attendez 5 secondes que l'appareil affiche la température de fonctionnement actuelle.

NOTA: Si l'étape 3 est interrompue ou si aucune modification n'est apportée pendant 15 secondes, le thermostat revient à son réglage d'origine sans accepter la modification.



Commande à distance

Kit de tuyau de rinçage

Le kit de tuyau de rinçage est disponible pour les modèles 3CS2 et FR2 et sert à purger l'appareil pour garantir une efficacité de fonctionnement optimale. Le kit inclut un bouchon de drain, une brosse de nettoyage et un adaptateur. Suivez la procédure suivante pour purger l'appareil :

1. Mettez l'interrupteur d'alimentation I/O (marche/arrêt) en position **O** (arrêt) et attendez que l'appareil et l'eau refroidissent.
2. Raccordez l'une des extrémités du tuyau de vidange à la sortie d'évacuation et placez l'extrémité libre dans un seau ou dans un trou de drainage, conformément aux codes de plomberie locaux.
3. Vidangez le bac ou le récipient en déplaçant la poignée de vidange vers l'arrière jusqu'à ce qu'elle soit en position horizontale. De l'eau va s'écouler du tuyau de vidange.
4. Placez le bouchon en caoutchouc sur la crépine d'entrée.

NOTA: La crépine d'entrée est la plus proche de l'avant de l'appareil.

5. Reliez le tuyau de rinçage équipé d'un adaptateur à une arrivée d'eau douce et placez le tuyau sur la crépine de sortie. Rincez l'appareil à l'eau douce jusqu'à ce que l'eau déversée par le tuyau de vidange soit propre.
6. Fermez l'arrivée d'eau douce et inversez les positions du bouchon en caoutchouc et du tuyau de rinçage. Rincez à nouveau l'appareil à l'eau douce jusqu'à ce que l'eau déversée par le tuyau de vidange soit propre.
7. Fermez l'arrivée d'eau, retirez le bouchon en caoutchouc et le tuyau de rinçage et laissez l'appareil finir de se vider.
8. Retirez les bouchons de nettoyage et insérez la brosse de nettoyage dans les tuyaux de nettoyage et de vidange. Nettoyez les compartiments en effectuant un mouvement de brossage.
9. Remettez en place les bouchons de nettoyage.
10. Rincez l'appareil à l'eau douce jusqu'à ce que l'eau déversée soit propre.
11. Fermez le tuyau de vidange en déplaçant la poignée jusqu'à ce qu'elle soit en position verticale.

NOTA: En cas de dépôts importants, reproduisez l'ensemble de la procédure de « nettoyage quotidien » décrite dans la section MAINTENANCE de ce manuel.

GARANTIE, RECOURS EXCLUSIF :

Hatco Corporation (le Vendeur) garantit que les produits qu'elle fabrique (les Produits) seront exempts de défauts de matériaux et de fabrication dans des conditions d'utilisation et de service normales et lorsqu'ils sont stockés, entretenus et installés en stricte conformité avec les recommandations de l'usine. La seule obligation du vendeur envers la personne ou l'entité qui achète les Produits directement auprès du Vendeur (le Client) dans le cadre de cette garantie est la réparation ou le remplacement par le Vendeur ou un organisme de service autorisé par le Vendeur, à la discrétion du Vendeur, de tout Produit ou de toute pièce de celui-ci jugés défectueux par le Vendeur après examen, pendant : (i) la Durée de la garantie à compter de la date d'expédition par le Vendeur ou (ii) la Durée de la garantie à compter de la date d'enregistrement du Produit conformément aux instructions écrites du Vendeur ; la durée la plus longue s'appliquant. La « Durée de la garantie » désigne les périodes spécifiques énoncées ci-dessous pour des composants spécifiques du Produit ou, si ceux-ci ne sont pas énoncés ci-dessous, une période de dix-huit (18) mois. Le crédit pour les Produits ou les pièces retournés avec l'autorisation écrite préalable du Vendeur sera soumis aux conditions indiquées sur le formulaire d'autorisation de retour de matériel du Vendeur. AUCUN CRÉDIT NE SERA ACCORDÉ POUR LES PRODUITS OU LES PIÈCES RETOURNÉS SANS AUTORISATION ÉCRITE PRÉALABLE DU VENDEUR. Les frais engagés par le Client pour retourner, remplacer ou retirer les Produits ne seront pas remboursés par le Vendeur. Si le défaut est couvert par la garantie limitée, les Produits seront réparés ou remplacés et retournés au Client, et les frais de retour seront payés par le Vendeur. La réparation ou le remplacement prévus dans les présentes est le recours exclusif du client. Toute utilisation inappropriée, modification, réparation, altération, mauvaise application, installation incorrecte, application d'une tension inappropriée, ou toute autre action ou inaction par le Client ou d'autres personnes (y compris l'utilisation de tout organisme de service non autorisé) qui, selon le seul jugement du Vendeur, affecte négativement le Produit annule cette garantie. La garantie expressément prévue dans les présentes ne peut être réclamée que par le Client et non par les clients du Client ou d'autres utilisateurs des Produits ; cependant, si le Client est un revendeur d'équipement autorisé par le Vendeur, le Client peut attribuer la garantie aux clients du Client, sous réserve de toutes les limitations des présentes Conditions, et dans ce cas, la garantie sera exclusivement contrôlée par le Vendeur conformément aux présentes Conditions. CETTE GARANTIE LIMITÉE EST EXCLUSIVE ET REMPLACE TOUTE AUTRE GARANTIE, EXPRESSE OU IMPLICITE, Y COMPRIS, MAIS SANS S'Y LIMITER, TOUTE GARANTIE IMPLICITE D'ABSENCE DE CONTREFAÇON, DE QUALITÉ MARCHANDE OU D'ADÉQUATION À UN USAGE PARTICULIER, QUI EST EXPRESSÉMENT DÉCLINÉE.

Garantie d'un (1) an pour les pièces et la main-d'œuvre, PLUS garantie d'un (1) an supplémentaire pour les pièces uniquement :

- Éléments du grille-pain à convoyeur (enveloppe métallique)
- Éléments des tiroirs chauffants (enveloppe métallique)
- Tiroirs, roues et glissières des tiroirs chauffants
- Éléments du réchaud (enveloppe métallique)
- Éléments de présentation du réchaud (enveloppe métallique, air chauffant)
- Éléments des armoires de stockage (enveloppe métallique, air chauffant)
- Éléments de puits chauffants — séries HW, HWB et HWBI (enveloppe métallique)

Garantie de deux (2) ans pour les pièces et la main-d'œuvre :

- Gammes à induction
- Réchauds à induction

Garantie de remplacement d'un (1) an :

- Grille-pain à éjection TPT

Garantie d'un (1) an pour les pièces et la main-d'œuvre, PLUS garantie de quatre (4) ans pour les pièces uniquement :

- Cuves 3CS et FR

Garantie d'un (1) an pour les pièces et la main-d'œuvre, PLUS garantie de neuf (9) ans pour les pièces uniquement :

- Cuves des appareils de chauffage d'appoint électriques
- Cuves des appareils de chauffage d'appoint à gaz

Garantie de quatre-vingt-dix (90) jours pour les pièces uniquement :

- Pièces de rechange

Nonobstant toute disposition contraire des présentes, la garantie limitée des présentes ne couvrira pas, à la seule discrétion du vendeur, les éléments suivants, mais sans s'y limiter : ampoules à incandescence enduites, éclairages fluorescents, ampoules de lampe chauffante, ampoules halogènes enduites, ampoules de lampe chauffante halogène, ampoules au xénon, tubes de lumière DEL, composants en verre et fusibles ; défaillance du Produit au niveau de la cuve d'appoint, de l'échangeur de chaleur à tubes à ailettes ou de tout autre équipement de chauffage de l'eau causée par la formation de calcaire, l'accumulation de sédiments, une attaque chimique ou le gel.

INSTRUCTIONS D'ENREGISTREMENT DE LA GARANTIE:

L'enregistrement du produit doit être soumis dans les 90 jours à compter de la date d'expédition de notre usine pour bénéficier d'une couverture supplémentaire. L'enregistrement peut être soumis via le formulaire sur le site Web du Vendeur, via le formulaire accessible grâce au code QR sur le Produit (le cas échéant) ou en appelant le service client en fournissant les informations requises au : **+1 414 671 6350**.

CLAUSE LIMITATIVE DE RESPONSABILITÉ :

LE VENDEUR NE SERA PAS TENU RESPONSABLE DES DOMMAGES INDIRECTS, ACCESSOIRES, CONSÉCUTIFS, PUNITIFS, EXEMPLAIRES OU DÉTERMINÉS, Y COMPRIS, MAIS SANS S'Y LIMITER, LES MANQUES À GAGNER, LES COÛTS DES PRODUITS DE SUBSTITUTION OU LES FRAIS DE MAIN-D'ŒUVRE RÉSULTANT DE LA VENTE, DE L'UTILISATION OU DE L'INSTALLATION DES PRODUITS, QUE LES PRODUITS SOIENT INCORPORÉS DANS D'AUTRES PRODUITS OU EN DEVIENNENT DES COMPOSANTS, OU DE TOUTE AUTRE CAUSE QUE CE SOIT, FONDÉE SUR UNE GARANTIE (EXPRESSE OU IMPLICITE) OU AUTREMENT FONDÉE SUR UN CONTRAT, UN TORT OU TOUTE AUTRE THÉORIE DE RESPONSABILITÉ, ET INDÉPENDAMMENT DE TOUT CONSEIL OU REPRÉSENTATION QUI AURAIENT PU ÊTRE DONNÉS PAR LE VENDEUR CONCERNANT LA VENTE, L'UTILISATION OU L'INSTALLATION DES PRODUITS, MÊME SI LE VENDEUR EST CONSCIENT DE LA POSSIBILITÉ DE TELS DOMMAGES. EN AUCUN CAS, LA RESPONSABILITÉ GÉNÉRALE DU VENDEUR DÉCOULANT DE CE CONTRAT OU LIÉE À CELUI-CI NE DÉPASSERA LES MONTANTS TOTAUX PAYÉS AU VENDEUR PAR LE CLIENT POUR LES PRODUITS DANS LA PÉRIODE DE TROIS (3) MOIS PRÉCÉDANT IMMÉDIATEMENT L'ÉVÉNEMENT DONNANT LIEU À UNE RÉCLAMATION DU CLIENT. LES LIMITATIONS ÉNONCÉES DANS LES PRÉSENTES CONCERNANT LA RESPONSABILITÉ DU VENDEUR SONT VALABLES ET EXÉCUTOIRES NONOBTANT UN MANQUEMENT À L'OBJECTIF PRINCIPAL DU RECOURS LIMITÉ SPÉCIFIÉ DANS CES CONDITIONS.

Le vendeur se réserve le droit de mettre à jour ces conditions à tout moment, à sa seule discrétion, qui deviennent obligatoires à la date de publication. Pour la version la plus récente de nos conditions de vente complètes, consultez notre site Web à l'adresse : <https://www.hatcocorp.com/terms-of-sale>

AUTHORIZED PARTS DISTRIBUTORS • DISTRIBUTEURS DE PIÈCES AUTORISÉS

ALABAMA

Jones McLeod Appl. Svc.
Birmingham 205-251-0159

ARIZONA

Tech 24
Phoenix 602-234-2443

Byassee Equipment Co.
Phoenix 602-252-0402

CALIFORNIA

Industrial Electric
Commercial Parts & Service, Inc.
Huntington Beach 714-379-7100

Chapman Appl. Service
San Diego 619-298-7106

P & D Appliance
Commercial Parts & Service, Inc.
S. San Francisco 650-635-1900

COLORADO

Hawkins Commercial Appliance
Englewood 303-781-5548

FLORIDA

Whaley Foodservice Repair
Jacksonville 904-725-7800

Whaley Foodservice Repair
Orlando 407-757-0851

B.G.S.I./Heritage
Pompano Beach 954-971-0456

Comm. Appliance Service
Tampa 813-663-0313

GEORGIA

Heritage Service Group
Norcross 866-388-9837

HAWAII

Burney's Comm. Service, Inc.
Honolulu 808-848-1466

Food Equip Parts & Service
Honolulu 808-847-4871

ILLINOIS

Parts Town
Addison 708-865-7278

Eichenauer Elec. Service
Decatur 217-429-4229

Midwest Elec. Appl. Service
Elmhurst 630-279-8000

Cone's Repair Service
Moline 309-797-5323

IOWA

Goodwin Tucker Group
Des Moines 515-262-9308

KENTUCKY

Tech 24
Lexington 859-254-8854

Tech 24
Louisville 502-451-5411

LOUISIANA

Chandlers Parts & Service
Baton Rouge 225-272-6620

MARYLAND

Electric Motor Service
Baltimore 410-467-8080

MASSACHUSETTS

Ace Service Co., Inc.
Needham 781-449-4220

MICHIGAN

Bildons Appliance Service
Detroit 248-478-3320

Commercial Kitchen Service
Bay City 989-893-4561

Midwest Food Equip. Service
Grandville 616-261-2000

MISSOURI

General Parts
Kansas City 816-421-5400

Commercial Kitchen Services
St. Louis 314-890-0700

Kaemmerlen Parts & Service
St. Louis 314-535-2222

NEBRASKA

Anderson Electric
Omaha 402-341-1414

NEVADA

Burney's Commercial
Las Vegas 702-736-0006

Hi. Tech Commercial Service
N. Las Vegas 702-649-4616

NEW JERSEY

Jay Hill Repair
Fairfield 973-575-9145

Service Plus
Flanders 973-691-6300

NEW YORK

Alpro Service Co.
Maspeth 718-386-2515

Duffy's - AIS
Buffalo 716-884-7425

3Wire
Plattsburgh 800-634-5005

Duffy's - AIS
Sauquoit 800-836-1014

J.B. Brady, Inc.
Syracuse 315-422-9271

NORTH CAROLINA

Authorized Appliance
Charlotte 704-377-4501

OHIO

Akron/Canton Comm. Svc. Inc.
Akron 330-753-6634

Tech 24
Cincinnati 513-772-6600

Commercial Parts and Service
Columbus 614-221-0057

Electrical Appl. Repair Service
Brooklyn Heights 216-459-8700

E. A. Wichman Co.
Toledo 419-385-9121

OKLAHOMA

Hagar Rest. Service, Inc.
Oklahoma City 405-235-2184

OREGON

General Parts Group
Portland 503-624-0890

PENNSYLVANIA

Elmer Schultz Services
Philadelphia 215-627-5401

FAST Comm. Appl. Service
Philadelphia 215-288-4800

AIS Commercial Parts and Service
Pittsburgh 412-809-0244

K & D Service Co.
Harrisburg 717-236-9039

Electric Repair Co.
Reading 610-376-5444

RHODE ISLAND

Marshall Electric Co.
Providence 401-331-1163

SOUTH CAROLINA

Whaley Foodservice Repair
Lexington 803-996-9900

TENNESSEE

Camp Electric
Memphis 901-527-7543

TEXAS

Armstrong Repair Service
Houston 713-666-7100

Cooking Equipment Specialist
Mesquite 972-686-6666

Commercial Kitchen Repair Co.
San Antonio 210-735-2811

UTAH

La Monica's Rest. Equip. Service
Murray 801-263-3221

VIRGINIA

Daubers
Norfolk 757-855-4097

Daubers
Springfield 703-866-3600

WASHINGTON

3Wire
Seattle 800-207-3146

WISCONSIN

A.S.C., Inc.
Madison 608-246-3160

A.S.C., Inc.
Milwaukee 414-543-6460

CANADA

ALBERTA

Key Food Equipment Service
Edmonton 780-438-1690

BRITISH COLUMBIA

Key Food Equipment Service
Vancouver 604-433-4484

Key Food Equipment Service
Victoria 250-920-4888

MANITOBA

Air Rite, Inc.
Winnipeg 204-895-2300

NEW BRUNSWICK

EMR Services, Ltd.
Moncton 506-855-4228

ONTARIO

R.G. Henderson Ltd.
Toronto 416-422-5580

Choquette - CKS, Inc.
Ottawa 613-739-8458

QUÉBEC

Choquette - CKS, Inc.
Montreal 514-722-2000

Choquette - CKS, Inc.
Québec City 418-681-3944

UNITED KINGDOM

Marren Group
Northants +44(0)1933 665313

HATCO CORPORATION
P.O. Box 340500
Milwaukee, WI 53234-0500 U.S.A.
414-671-6350
support@hatcocorp.com
www.hatcocorp.com

Register your unit online!

See IMPORTANT OWNER INFORMATION
section for details.

Enregistrez votre appareil en ligne !

Lisez la section INFORMATIONS IMPORTANTES POUR
LE PROPRIÉTAIRE pour plus d'informations.