

hatcocorp.com

Register Online!  
(see page 2)

S'inscrire en ligne!  
(voir page 16)



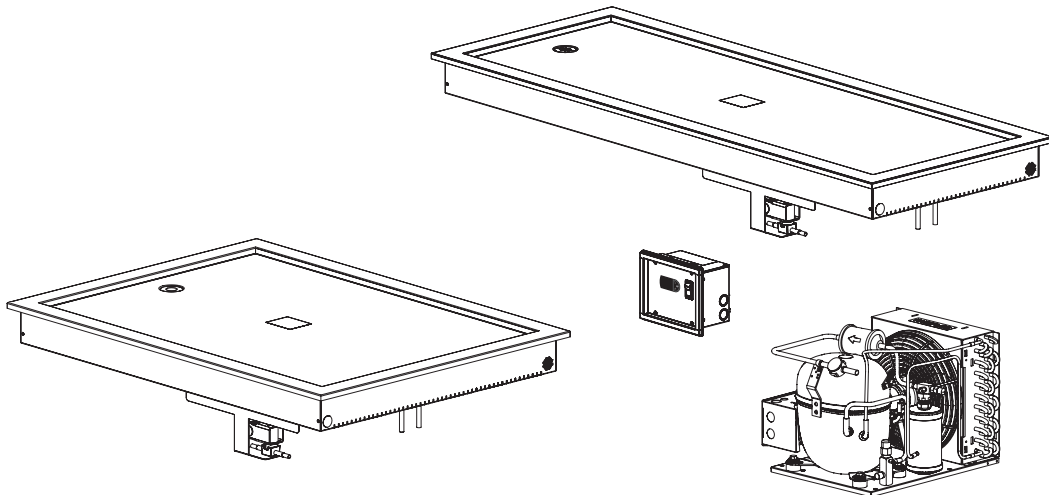
# Remote Drop-In Frost Top Shelves

## Les plans réfrigérés de libre-service contrôlés à distance

### FTBR, FTBR-S, FTBX, FTBX-S Series/Série

## Installation and Operating Manual

## Manuel d'installation et d'utilisation



### ⚠ WARNING

Do not operate this equipment unless you have read and understood the contents of this manual! Failure to follow the instructions contained in this manual may result in serious injury or death. This manual contains important safety information concerning the maintenance, use, and operation of this product. If you're unable to understand the contents of this manual, please bring it to the attention of your supervisor. Keep this manual in a safe location for future reference.

English = p 2

### ⚠ ADVERTENCIA

No opere este equipo al menos que haya leído y comprendido el contenido de este manual! Cualquier falla en el seguimiento de las instrucciones contenidas en este manual puede resultar en un serio lesión o muerte. Este manual contiene importante información sobre seguridad concerniente al mantenimiento, uso y operación de este producto. Si usted no puede entender el contenido de este manual por favor pregunte a su supervisor. Almacenar este manual en una localización segura para la referencia futura.

### ⚠ AVERTISSEMENT

Ne pas utiliser cet équipement sans avoir lu et compris le contenu de ce manuel ! Le non-respect des instructions contenues dans ce manuel peut entraîner de graves blessures ou la mort. Ce manuel contient des informations importantes concernant l'entretien, l'utilisation et le fonctionnement de ce produit. Si vous ne comprenez pas le contenu de ce manuel, veuillez le signaler à votre supérieur. Conservez ce manuel dans un endroit sûr pour pouvoir vous y référer plus tard.

Français = p 16

<b>Important Owner Information</b> .....	2	<b>Operation</b> .....	11
<b>Introduction</b> .....	2	General.....	11
<b>Important Safety Information</b> .....	3	Changing the Setpoint Temperature.....	12
<b>Model Description</b> .....	4	Setting the Auto-Defrost Cycle.....	12
<b>Model Designation</b> .....	5	Changing Fahrenheit and Celsius Setting.....	12
<b>Specifications</b> .....	5	<b>Maintenance</b> .....	13
Frost Top Drop-In Shelves.....	5	General.....	13
Condensing Unit (FTBR/FTBR-S Models only).....	5	Daily Cleaning.....	13
Solenoid Valve (FTBX/FTBX-S Models only).....	5	Monthly Cleaning.....	13
Refrigerant Information.....	5	<b>Troubleshooting Guide</b> .....	14
Dimensions.....	6	<b>Options and Accessories</b> .....	15
<b>Installation</b> .....	8	<b>Limited Warranty</b> .....	15
General.....	8	<b>Authorized Parts Distributors</b> .....	Back Cover
Connecting the Components.....	9		
Installing the Control Panel.....	10		
Countertop Cutout Dimensions.....	10		

## IMPORTANT OWNER INFORMATION

Record the model number, serial number, voltage, and purchase date of the unit in the spaces below (specification labels located on the control panel, frost top enclosure, and condensing unit, if equipped). Please have this information available when calling Hatco for service assistance.

Model No. \_\_\_\_\_

Serial No. \_\_\_\_\_

Voltage \_\_\_\_\_

Date of Purchase \_\_\_\_\_

### Register your unit!

Completing online warranty registration will prevent delay in obtaining warranty coverage. Access the Hatco website at [www.hatcocorp.com](http://www.hatcocorp.com), select the *Support* pull-down menu, and click on "Warranty".

Business Hours: 7:00 AM to 5:00 PM Monday–Friday, Central Time (CT)  
(Summer Hours — June to September:  
7:00 AM to 5:00 PM Monday–Thursday  
7:00 AM to 4:00 PM Friday)

Telephone: 800-558-0607; 414-671-6350

E-mail: [support@hatcocorp.com](mailto:support@hatcocorp.com)



24 Hour 7 Day Parts and Service Assistance available in the United States and Canada by calling 800-558-0607.

Additional information can be found by visiting our web site at [www.hatcocorp.com](http://www.hatcocorp.com).

## INTRODUCTION

Hatco Remote Drop-In Frost Top Shelves are specially designed to hold quick-turnaround, cold foods such as pre-chilled beverages, snacks, hors d'oeuvres, and side dishes. The insulated, top-mount units are designed for full-size sheet pans and are available in one, two, and three pan standard configurations as well as two and three pan slim configurations.

The components of the Remote Drop-In Frost Top Shelves are shipped as separate pieces that require field installation and connection. This provides the end user greater installation flexibility than self-contained units. The components include a refrigerated well, a control panel, and a condensing unit (FTBR and FTBR-S Models). For installations that already have an appropriate condensing unit, Remote Drop-In Frost Top Shelves are available with the Frost Top Drop-In Shelf and control panel only (FTBX and FTBX-S Models). One year parts and on-site labor warranty is standard.

Hatco Remote Drop-In Frost Top Shelves are a product of extensive research and field testing. The materials used were selected for maximum durability, attractive appearance, and optimum performance. Every unit is inspected and tested thoroughly prior to shipment.

This manual provides the installation, safety, and operating instructions for Remote Drop-In Frost Top Shelves. Hatco recommends all installation, operating, and safety instructions appearing in this manual be read prior to installation or operation of a unit.

Safety information that appears in this manual is identified by the following signal word panels:



**WARNING** indicates a hazardous situation which, if not avoided, could result in death or serious injury.



**CAUTION** indicates a hazardous situation which, if not avoided, could result in minor or moderate injury.



**NOTICE** is used to address practices not related to personal injury.



Read the following important safety information before using this equipment to avoid serious injury or death and to avoid damage to equipment or property.

### WARNING

#### ELECTRIC SHOCK HAZARD:

- Units supplied without an electrical cord and plug require a hardwired connection to on-site electrical system. Connection must be properly grounded and of correct voltage, size, and configuration for electrical specifications of unit. Contact a qualified electrician to determine and install proper electrical connection.
- Unit must be installed by qualified, trained installers. Installation must conform to all local electrical and plumbing codes. Installation by unqualified personnel will void the unit warranty and may lead to electric shock or burn, as well as damage to unit and/or its surroundings. Check with local plumbing and electrical inspectors for proper procedures and codes.
- Turn OFF power switch and disconnect unit from power source before performing any cleaning, adjustments, or maintenance.
- Unit is not weatherproof. Locate unit indoors.
- DO NOT submerge or saturate with water. Unit is not waterproof. Do not operate if unit has been submerged or saturated with water.
- This unit is not “jet-proof” construction. Do not use jet-clean spray to clean this unit.
- Do not steam clean or use excessive water on unit.
- This unit must be serviced by qualified personnel only. Service by unqualified personnel may lead to electric shock or burn.
- Use only Genuine Hatco Replacement Parts when service is required. Failure to use Genuine Hatco Replacement Parts will void all warranties and may subject operators of the equipment to hazardous electrical voltage, resulting in electrical shock or burn. Genuine Hatco Replacement Parts are specified to operate safely in the environments in which they are used. Some aftermarket or generic replacement parts do not have the characteristics that will allow them to operate safely in Hatco equipment.

#### FIRE HAZARD:

- Install condensing unit with a minimum of 6" (152 mm) of space between all sides of unit and any combustible surfaces.
- Do not use flammable cleaning solutions to clean this unit.

**EXPLOSION HAZARD:** Do not store or use gasoline or other flammable vapors or liquids in the vicinity of this or any other appliance.

This unit must be installed by qualified, trained installers. Installation must conform to all local electrical and plumbing codes. Check with local plumbing and electrical inspectors for proper procedures and codes.

Make sure food product and food pans have been chilled to the proper food-safe temperature before placing in unit. Failure to chill food product properly may result in serious health risks. This unit is for holding pre-chilled food product only.

Make sure all operators have been instructed on the safe and proper use of the unit.

### WARNING

Hatco Corporation is not responsible for actual food product serving temperature. It is the responsibility of the user to ensure that food product is held and served at a safe temperature.

This unit is not intended for use by children or persons with reduced physical, sensory, or mental capabilities. Ensure proper supervision of children and keep them away from the unit.

Maintain proper cleanliness of the unit. Proper cleanliness and sanitation is critical for food-safe operation. Refer to the MAINTENANCE section for cleaning procedures.

This unit has no “user-serviceable” parts. If service is required on this unit, contact an Authorized Hatco Service Agent or contact the Hatco Service Department at 800-558-0607 or 414-671-6350.

### CAUTION

Locate the unit at the proper counter height in an area that is convenient for use. The location should be level and strong enough to support the weight of the unit and contents.

### NOTICE

This unit is designed for use in environments where the ambient temperature is between 65°F (18°C) and 86°F (30°C).

When shipped during cold weather months, store unit in proper ambient temperature environment for 10 hours to prevent compressor and/or refrigerant line damage. If unit is turned on and there is excessive noise and vibration, turn off immediately and allow additional warm up time.

Provide louvered or grill-style openings with a minimum size of 12" x 12"/144 square inches (31 x 31 cm/961 square cm) in the cabinetry in front of and behind the condensing unit for proper ventilation. Failure to provide adequate air flow through the condensing unit may cause unit failure and will void the unit warranty.

Transport and install unit in upright position only. Failure to do so may result in damage to the refrigeration system.

Use caution and avoid hitting condensing unit hoses/lines when installing unit. Damage caused during installation is not covered under warranty.

Do not locate unit in an area subject to excessive temperatures or grease from grills, fryers, etc. Excessive temperatures could cause damage to the unit.

Clean unit daily to avoid malfunctions and maintain sanitary operation.

Use non-abrasive cleaners and cloths only. Abrasive cleaners and cloths could scratch the finish of the unit, marring its appearance and making it susceptible to soil accumulation.

Do not use steel wool for cleaning. Steel wool will scratch the finish.

Do not use harsh chemicals such as bleach, cleaners containing bleach, or oven cleaners to clean the unit.

This unit is intended for commercial use only—NOT for household use.

## All Models

Hatco Remote Drop-In Frost Top Shelves are reliable and versatile. Each unit has an insulated, stainless steel and aluminized steel housing. The bottom of the recessed frost top enclosure is covered with a copper evaporator coil to provide even cooling from edge to edge. A 1" NPT drain in the recessed enclosure is standard on all two and three pan units. Remote Drop-In Frost Top Shelves are controlled by a digital temperature controller and a Power I/O (on/off) Switch housed in a single, remote-mountable control panel. All models are designed to be mounted to the topside of various types of countertop material including stainless steel, wood, Corian, Swanstone, etc... Hatco Remote Drop-In Frost Top Shelves are designed, manufactured, and tested to maintain safe food holding temperatures.

## FTBR Models

FTBR Models are available in one, two, and three pan configurations. These models orient full-size sheet pans in the standard position with the short side facing the customer.

FTBR models consist of a Frost Top Drop-In Shelf, a remote-mounted control panel, a remote-mounted condensing unit, and a thermal expansion valve (TXV valve, shipped loose). All plumbing and electrical connections between the components as well as to the electrical supply are the responsibility of the end user and a qualified installer.

## FTBR-S Models

FTBR-S Models are available in two and three pan configurations. These models are "slim" designed and orient full-size sheet pans with the long side facing the customer. The slim design allows easy, reachable access to everything on the frost top.

FTBR-S models consist of a Frost Top Drop-In Shelf, a remote-mounted control panel, a remote-mounted condensing unit, and a thermal expansion valve (TXV valve, shipped loose). All plumbing and electrical connections between the components as well as to the electrical supply are the responsibility of the end user and a qualified installer.

## FTBX Models

FTBX Models are available in one, two, and three pan configurations. These models orient full-size sheet pans in the standard position with the short side facing the customer.

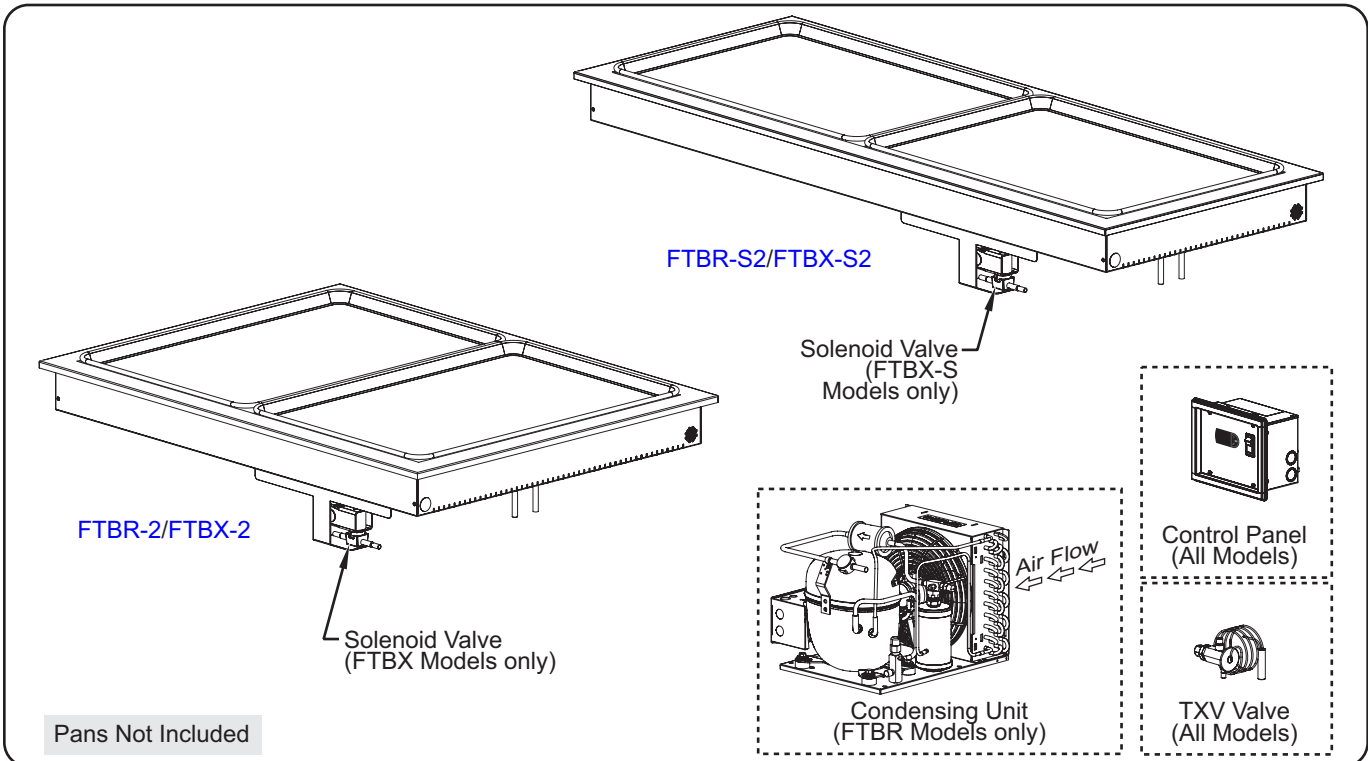
FTBX models consist of a Frost Top Drop-In Shelf with a solenoid valve, a remote-mounted control panel, and a thermal expansion valve (TXV valve, shipped loose). These components must be connected to an end user-supplied condensing unit. All plumbing and electrical connections between the components as well as to the electrical supply are the responsibility of the end user and a qualified installer.

## FTBX-S Models

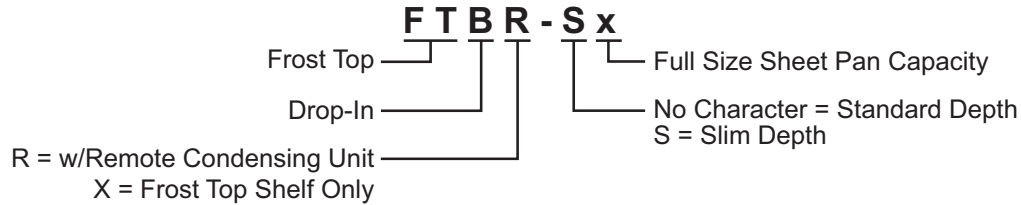
FTBX-S Models are available in two and three pan configurations. These models are "slim" designed and orient full-size sheet pans with the long side facing the customer. The slim design allows easy, reachable access to everything on the frost top.

FTBX-S models consist of a Frost Top Drop-In Shelf with a solenoid valve, a remote-mounted control panel, and a thermal expansion valve (TXV valve, shipped loose). These components must be connected to an end user-supplied condensing unit. All plumbing and electrical connections between the components as well as to the electrical supply are the responsibility of the end user and a qualified installer.

*NOTE: Sheet Pans are available for the Remote Drop-In Frost Top Shelves. Refer to the OPTIONS AND ACCESSORIES section in this manual for details.*



Remote Drop-In Frost Top Shelves



## SPECIFICATIONS

### Frost Top Drop-In Shelves

Model	Line Size		Load BTU/Hour
	Suction	Liquid	
FTBR-3/4 and FTBX-3/4	3/8"	1/4"	250
FTBR-1 and FTBX-1	3/8"	1/4"	330
FTBR-2 and FTBX-2	3/8"	1/4"	630
FTBR-3 and FTBX-3	3/8"	1/4"	930
FTBR-S2 and FTBX-S2	3/8"	1/4"	630
FTBR-S3 and FTBX-S3	3/8"	1/4"	930

### Solenoid Valve (FTBX/FTBX-S Models only)

Volts	Hertz	Watts	Amps
120	50/60	12	0.1
220–230–240	50/60	17	0.1

### Design Pressure

High Side	Low Side
186 psig (12.8 bar)	88 psig (6.07 bar)

### Electrical Rating Chart (FTBR/FTBR-S Models only)

Model	Compressor Size	Volts	Watts	Amps	Plug Configuration	Shipping Weight
FTBR-3/4	1/5 hp	120	300	3.8	NEMA 5-15P	120 lbs. (54 kg)
FTBR-1	1/5 hp	120	300	3.8	NEMA 5-15P	132 lbs. (60 kg)
	1/3 hp	220–230–240	1089–1190–1296	5.0–5.2–5.4	BS-1363, AS 3112, CEE 7/7	
FTBR-2	1/5 hp	120	300	3.8	NEMA 5-15P	180 lbs. (82 kg)
	1/3 hp	220–230–240	1089–1190–1296	5.0–5.2–5.4	BS-1363, AS 3112, CEE 7/7	
FTBR-3	1/5 hp	120	300	3.8	NEMA 5-15P	213 lbs. (97 kg)
	1/3 hp	220–230–240	1089–1190–1296	5.0–5.2–5.4	BS-1363, AS 3112, CEE 7/7	
FTBR-S2	1/5 hp	120	300	3.8	NEMA 5-15P	182 lbs. (83 kg)
	1/3 hp	220–230–240	1089–1190–1296	5.0–5.2–5.4	BS-1363, AS 3112, CEE 7/7	
FTBR-S3	1/5 hp	120	300	3.8	NEMA 5-15P	239 lbs. (109 kg)
	1/3 hp	220–230–240	1089–1190–1296	5.0–5.2–5.4	BS-1363, AS 3112, CEE 7/7	

The shaded areas contain electrical information for **International models only**.

### Refrigerant Information

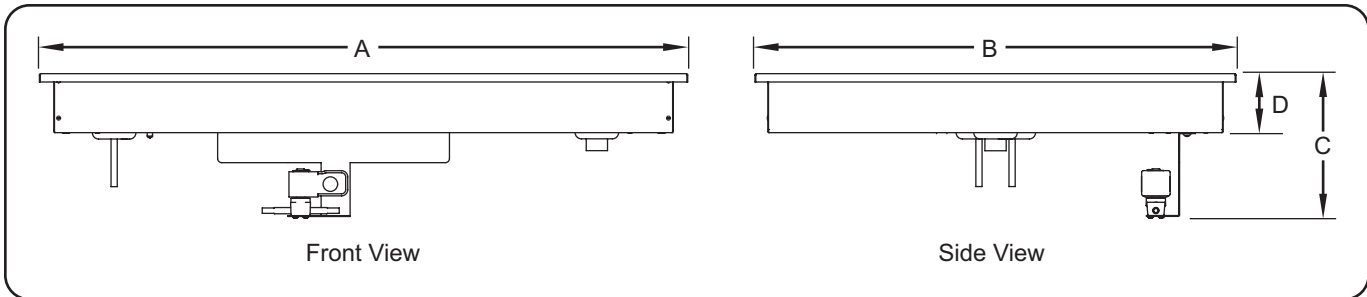
Hatco Remote Drop-In Frost Top Shelves use R-513A refrigerant.

## Dimensions — FTBR/FTBX Models

Model	Width (A)	Depth (B)	Overall Height (C)	Shelf Height (D)
FTBR-3/4	18" (457 mm)	21-1/16" (535 mm)	8-5/8" (219 mm)	3-9/16" (90 mm)
FTBX-3/4				
FTBR-1	29" (735 mm)	21-1/16" (535 mm)	8-5/8" (219 mm)	3-9/16" (90 mm)
FTBX-1				

Model	Width (A)	Depth (B)	Overall Height (C)	Shelf Height (D)
FTBR-2	39" (991 mm)	29" (735 mm)	8-5/8" (219 mm)	3-9/16" (90 mm)
FTBX-2				
FTBR-3	57" (1448 mm)	29" (735 mm)	8-5/8" (219 mm)	3-9/16" (90 mm)
FTBX-3				

NOTE: The solenoid valve and bracket dimensioned by Overall Height (C) appear on FTBX Models only.

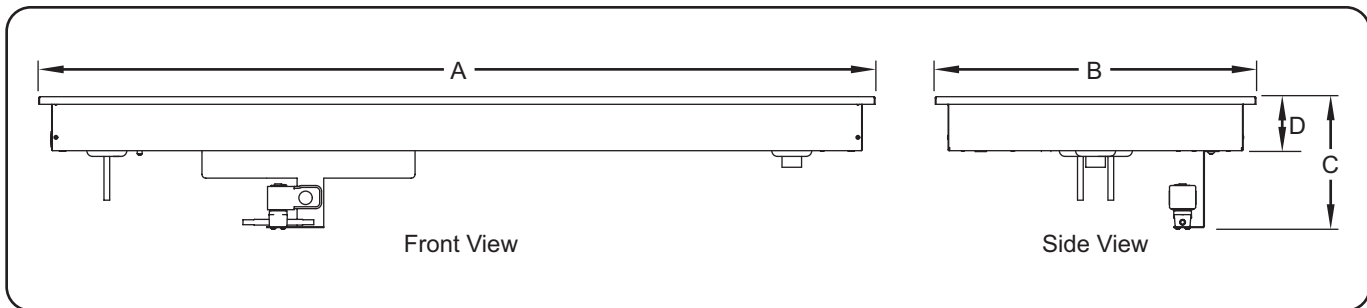


Dimensions — FTBR/FTBX Models

## Dimensions — FTBR-S/FTBX-S Models

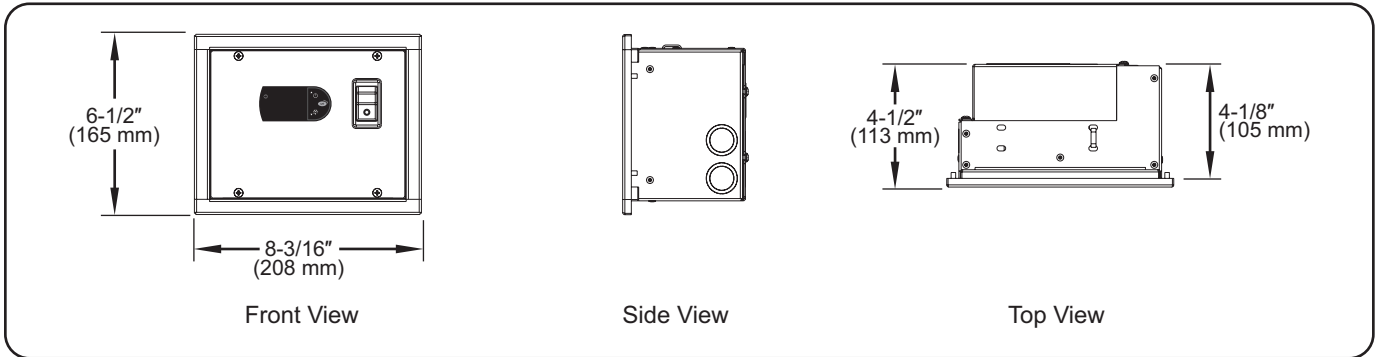
Model	Width (A)	Depth (B)	Overall Height (C)	Shelf Height (D)
FTBR-S2	54-15/16" (1395 mm)	21-1/16" (535 mm)	8-5/8" (219 mm)	3-9/16" (90 mm)
FTBX-S2				
FTBR-S3	80-13/16" (2053 mm)	21-1/16" (535 mm)	8-5/8" (219 mm)	3-9/16" (90 mm)
FTBX-S3				

NOTE: The solenoid valve and bracket dimensioned by Overall Height (C) appear on FTBX-S Models only.



Dimensions — FTBR-S/FTBX-S Models

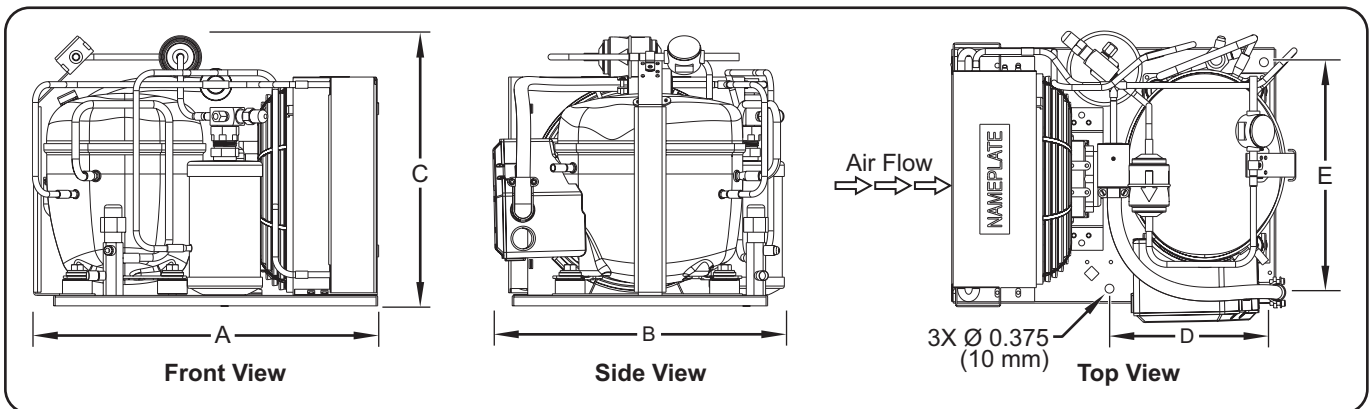
**Dimensions — Control Panel**



Dimensions — Control Panel

**Dimensions — Condensing Unit (FTBR and FTBR-S Models only)**

Model	Base Width (A)	Base Depth (B)	Height (C)	Mounting Hole Width (D)	Mounting Hole Depth (E)
FTBR-3/4 FTBR-1 FTBR-2 FTBR-3 FTBR-S2 FTBR-S3	13-11/16" (346 mm)	10-3/4" (273 mm)	11-3/8" (289 mm)	6-1/2" (165 mm)	9-9/16" (242 mm)



Dimensions — Condensing Unit

**Operating Specifications**

Discharge Pressure	Suction Pressure	Superheat	Subcooling
115 to 125 psig (7.9 to 8.6 bar)	6 to 9 psig (0.4 to 0.6 bar)	4° to 10°F (2.2° to 5.6°C)	5° to 10°F (2.8° to 5.6°C)

NOTE: The Operating Specifications are accurate for units in an ambient air temperature of 75°F (24°C).

**Remote Unit Fill Weights**

Models	Fill Weights
FTBR-3/4, FTBR-1	1 lb 13 oz
FTBR-2, FTBR-3 FTBR-S2, FTBR-S3	2 lbs 1 oz

## General

Remote Drop-In Frost Top Shelves are shipped from the factory as components that require installation and connection. Use the following procedures to install each component and make the appropriate connections.



### ELECTRIC SHOCK HAZARD:

- Units supplied without an electrical cord and plug require a hardwired connection to on-site electrical system. Connection must be properly grounded and of correct voltage, size, and configuration for electrical specifications of unit. Contact a qualified electrician to determine and install proper electrical connection.
- Unit is not weatherproof. Locate unit indoors.

**FIRE HAZARD:** Install condensing unit with a minimum of 6" (152 mm) of space between all sides of unit and any combustible surfaces.

This unit must be installed by qualified, trained installers. Installation must conform to all local electrical and plumbing codes. Check with local plumbing and electrical inspectors for proper procedures and codes.



Locate the unit at the proper counter height in an area that is convenient for use. The location should be level and strong enough to support the weight of the unit and contents.



This unit is designed for use in environments where the ambient temperature is between 65°F (18°C) and 86°F (30°C).

Provide louvered or grill-style openings with a minimum size of 12" x 12"/144 square inches (31 x 31 cm/961 square cm) in the cabinetry in front of and behind the condensing unit for proper ventilation. Failure to provide adequate air flow through the condensing unit may cause unit failure and will void the unit warranty.

Transport and install unit in upright position only. Failure to do so may result in damage to the refrigeration system.

Do not locate unit in an area subject to excessive temperatures or grease from grills, fryers, etc. Excessive temperatures could cause damage to the unit.

All Remote Drop-In Frost Top Shelves are shipped in a shipping frame for protection and stability. Keep the unit in the shipping frame until the unit and the installation site are completely prepared for the unit to be installed.

1. Remove all external packaging from the unit.
2. Remove tape, protective packaging, and literature from all surfaces of unit.

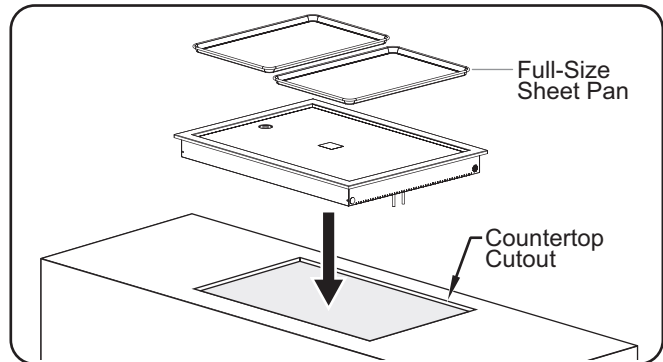
*NOTE: To prevent delay in obtaining warranty coverage, complete online warranty registration. See the IMPORTANT OWNER INFORMATION section for details.*

3. Cut the appropriate opening in the countertop for the unit being installed. Refer to "Countertop Cutout Dimensions" in this section.

4. Cut and drill the appropriate holes in the vertical surface where the control panel will be installed. Refer to the "Installing the Control Panel" procedure in this section for cutout and hole dimensions.
5. Make structural modifications or add bracing underneath the countertop to ensure the countertop will support the weight of the unit and its contents.

*NOTE: The countertop must be level to ensure proper draining of the frost top enclosure.*

6. Lift the unit out of the shipping shipping frame and carefully lower it into the countertop cutout. This step requires two or more people, depending on the unit.



Installing a FTBR-2 Model

7. Apply National Sanitation Foundation-approved (NSF-approved) silicone sealant around the edge of the unit to seal it to the countertop.

*NOTE: If excessive condensation appears underneath the countertop during operation, apply polyurethane-based foam sealant in the gap between the underside of the countertop and the frost top.*

8. For two and three pan units, connect the 1" drain fitting to a trap and drain line. If a trap and drain line are not available, a catch pan (not supplied) must be used under the drain fitting to contain water draining from the frost top enclosure.

*NOTE: Consult a qualified plumber for proper trap and drain installation that conforms to local plumbing codes.*

9. Install the control panel in the desired location. Refer to the "Installing the Control Panel" procedure in this section.
10. For FTBR Models, install the condensing unit in the desired location. Refer to the SPECIFICATION section for installation dimensions.

- Make sure the installation site offers continuous air flow ventilation to the condensing unit.
- Make sure there is a minimum of 6" (152 mm) of space between all sides of the condensing unit and any combustible surface.

11. Have qualified installers perform the "Connecting the Components" procedure in this section.

12. Clean the frost top enclosure thoroughly in preparation for initial operation. Refer to the MAINTENANCE section for proper cleaning procedures.

*NOTE: If a catch pan is used underneath the drain fitting, make sure the pan is emptied regularly to prevent overflowing.*

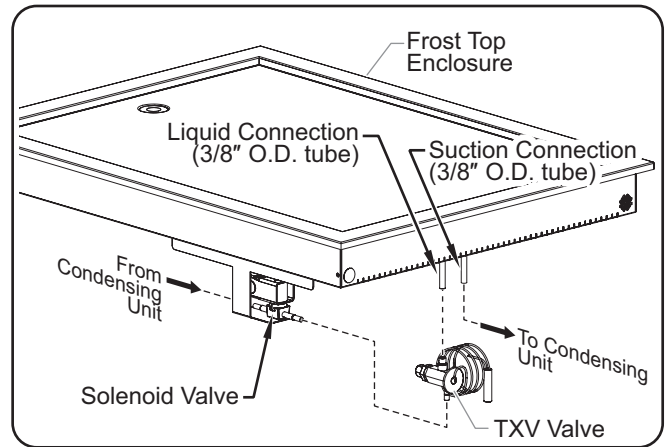
### Connecting the Components

Use the following procedure as a guideline for making the connections between the components of the remote frost top drop-in shelf system. These connections must be made by trained and qualified installers and must comply with all local plumbing and electrical codes. Refer to the SPECIFICATIONS section and the wiring diagram included with the unit for details regarding the plumbing and electrical connections.

1. Connect the liquid and suction refrigerant lines between the condensing unit, the TXV valve, and the frost top enclosure evaporator coil. Refer to the appropriate illustration below and the SPECIFICATIONS section for connection details.

**NOTE:** The maximum refrigerant line length between the condensing unit and the evaporator coil is 50 feet (15 m).

**NOTE:** For refrigerant line connections, use a self-fluxing brazing compound (example = Sil-Fos 5®) at a brazing temperature range of 1300–1500°F (704–816°C).

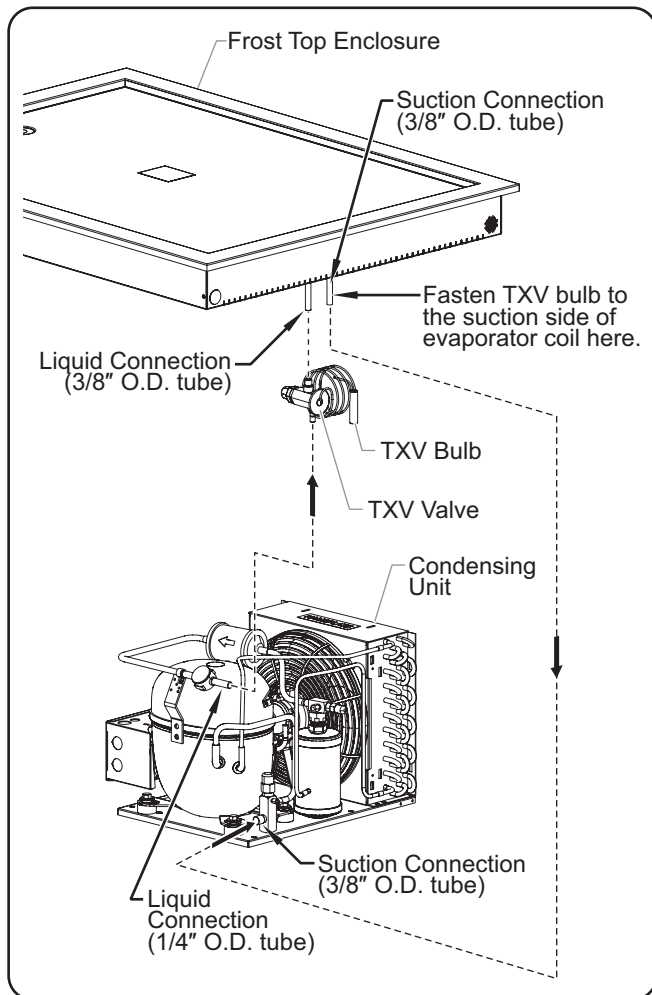
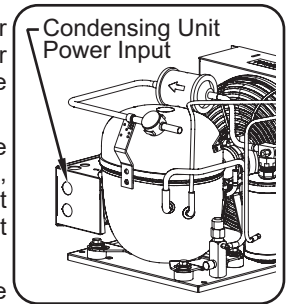


FTBX Model Refrigerant Connections

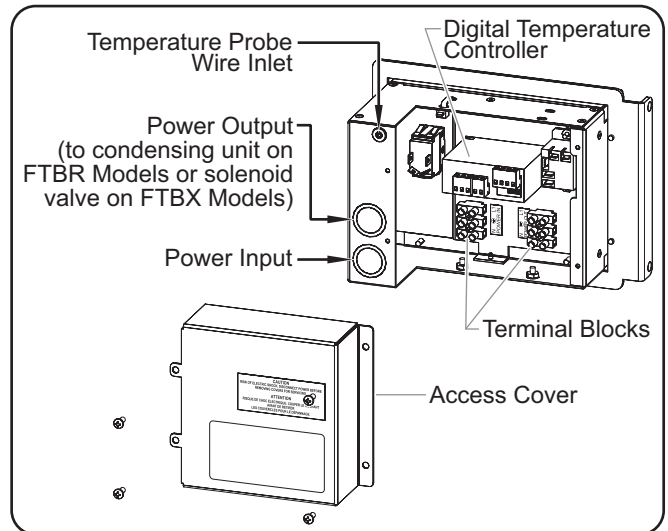
2. Have a qualified electrician make the appropriate electrical connections to the control panel. Refer to the wiring diagram for details.

For FTBR Models:

- a. Connect the on-site power supply through the power input knockout to the POWER IN terminal block.
- b. Connect power from the POWER OUT terminal block, through the power output knockout, to the power input on the condensing unit.
- c. Connect the temperature probe wire connector from the well to the probe wire connector from the digital temperature controller.



FTBR Model Refrigerant Connections

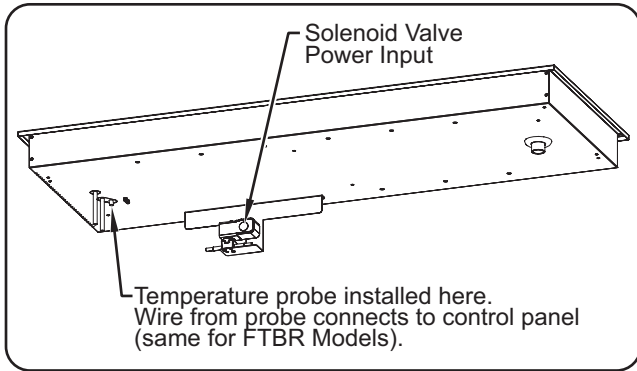


Control Panel Connections

continued...

**For FTBX Models:**

- Connect the on-site power supply through the power input knockout to the POWER IN terminal block.
- Connect power from the POWER OUT terminal block, through the power output knockout, to the solenoid valve on the frost top enclosure.
- Connect the temperature probe wire connector from the well to the probe wire connector from the digital temperature controller.



FTBX Model Electrical Connections

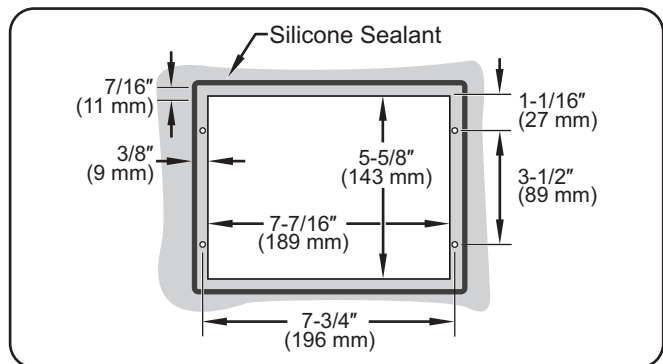
## Installing the Control Panel

Use the following procedure to install the control panel remotely.



**Control panel must be mounted in a vertical surface. Mounting control panel in a horizontal surface may result in the collection of liquids and lead to electric shock.**

- Cut and drill the appropriate holes in the mounting surface. Refer to the "Control Panel Cutout and Screw Hole Dimensions" chart for the cutout dimensions.
- Remove the four trim cover screws from the control panel and remove the trim cover.
- Position the control panel into the cutout opening through the backside.
- Fasten the control panel to the vertical surface using four screws (not supplied).
- Apply a 1/4" (6 mm) bead of NSF-approved silicone sealant where the trim cover will contact the cabinet surface. Refer to the "Control Panel Cutout and Screw Hole Dimensions" illustration for more information.
- Reinstall the trim cover on the control panel and secure in position using the four trim cover screws. Make sure to embed the trim cover edge into the silicone.



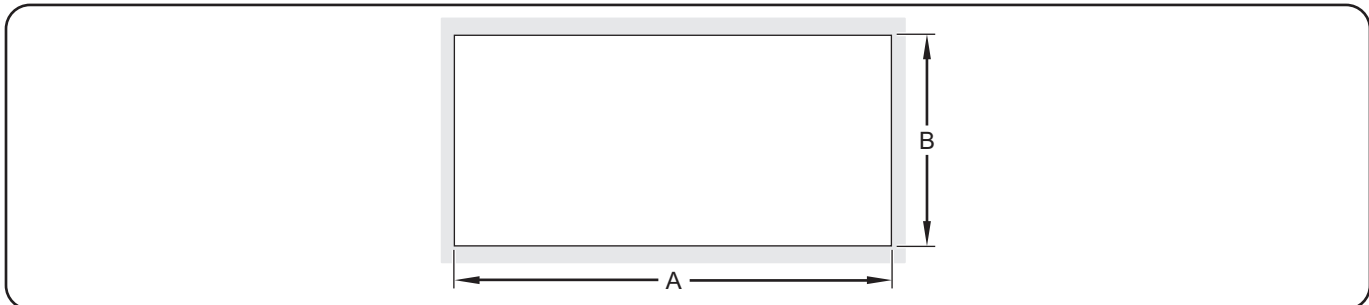
Control Panel Cutout and Screw Hole Dimensions

*NOTE: Make sure the width of the control panel cutout does not exceed the above dimension.*

## Countertop Cutout Dimensions

Model	Width (A)	Depth (B)
FTBR-3/4 and FTBX-3/4	16-1/2" to 17-1/16" (419 to 433 mm)	19-7/16" to 20-1/8" (494 to 511 mm)
FTBR-1 and FTBX-1	27-7/16" to 28" (697 to 711 mm)	19-7/16" to 20-1/8" (494 to 511 mm)
FTBR-2 and FTBX-2	37-3/8" to 38" (949 to 965 mm)	27-5/16" to 28" (694 to 711 mm)

Model	Width (A)	Depth (B)
FTBR-3 and FTBX-3	55-3/8" to 56" (1406 to 1422 mm)	27-5/16" to 28" (694 to 711 mm)
FTBR-S2 and FTBX-S2	53-5/16" to 54" (1354 to 1372 mm)	19-7/16" to 20-1/8" (494 to 511 mm)
FTBR-S3 and FTBX-S3	79-3/16" to 79-7/8" (2011 to 2029 mm)	19-7/16" to 20-1/8" (494 to 511 mm)



FTBR, FTBX, FTBR-S, and FTBX-S Series Countertop Cutout Dimensions.

## General

Use the following procedures to operate a Remote Frost Top Drop-In Shelf.




Read all safety messages in the Important Safety Information section before operating this equipment.


Make sure food product has been chilled to the proper food-safe temperature before placing in the unit. Failure to chill food product properly may result in serious health risks. This unit is for holding pre-chilled food product only.

### NOTICE


This unit is designed for use in environments where ambient temperature is between 65°F (18°C) and 86°F (30°C).

When shipped during cold weather months, store unit in proper ambient temperature environment for 10 hours to prevent compressor and/or refrigerant line damage. If unit is turned on and there is excessive noise and vibration, turn off immediately and allow additional warm up time.

**NOTE:** If the display flashes “OFF” and then the current temperature, press and hold the  key for three seconds. The display will no longer flash “OFF”.

If the display flashes “df” and then the current temperature, press and hold the  key for three seconds. The display will no longer flash “df”.

## Startup

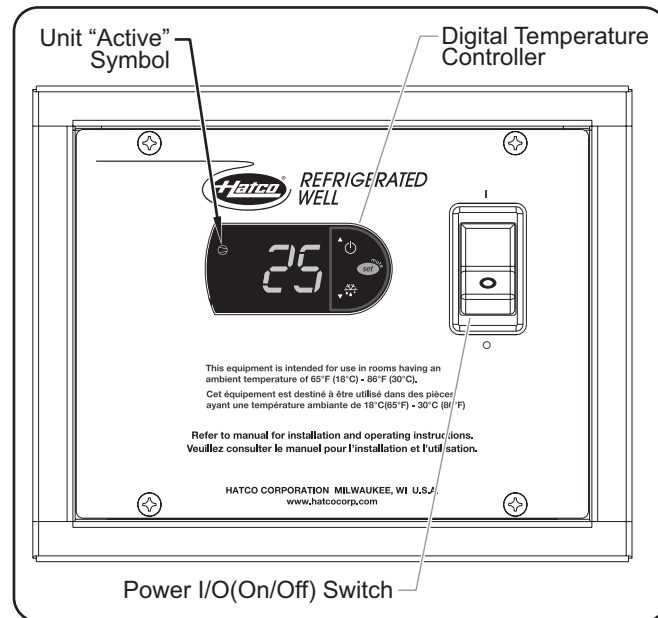
1. Move the Power I/O (on/off) Switch to the **I** (on) position (located on the control panel).
  - The digital temperature controller will energize and “ON” will appear on the display, followed by the current temperature of the unit.
  - The  symbol on the display will illuminate to show the condensing unit is active and chilling the frost top.

**NOTE:** The unit is pre-set at the factory to a setpoint temperature of 25°F (-4°C). If ambient conditions require adjustment to the setpoint temperature, refer to the “Changing the Setpoint Temperature” in this section.

2. Allow the unit approximately 30 minutes to reach the setpoint temperature before loading pre-chilled food product.
3. Verify on the display that the unit has reached the proper setpoint temperature, and load the frost top with food pans that contain pre-chilled food product.
  - Always use a food pan. Do not place food directly on the frost top
  - Stir thick food items frequently to keep food chilled uniformly.

## WARNING

Hatco Corporation is not responsible for the actual food product serving temperature. It is the responsibility of the user to ensure that the food product is held and served at a safe temperature.



Remote Frost Top Control Panel

## Shutdown

1. Move the Power I/O (on/off) Switch to the **O** (off) position. The digital temperature controller and condensing unit will shut off.
2. Perform the “Daily Cleaning” procedure in the MAINTENANCE section of this manual.

### NOTICE

**Clean unit daily to avoid malfunctions and maintain sanitary operation.**

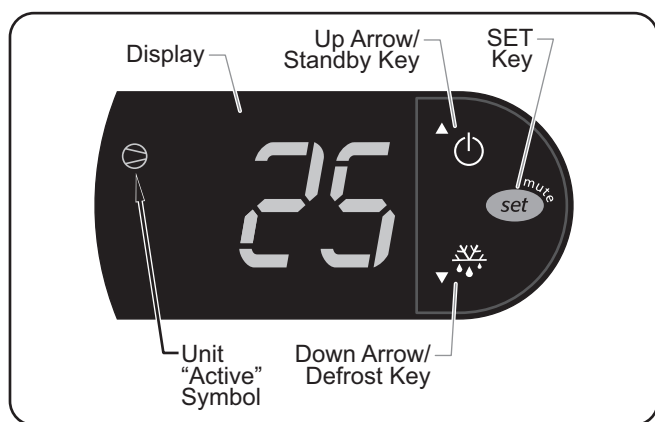
**NOTE:** If a catch pan is used underneath the drain fitting, make sure the pan is emptied regularly to prevent overflowing.

## Changing the Setpoint Temperature

Use the following procedure to change the setpoint temperature on the digital temperature controller.

*NOTE: Changes to the setpoint temperature should be made in small increments (1 to 2 degrees). Wait at least two hours after a change in setpoint temperature before checking for the desired result.*

1. Press and hold the **set** key for one second until the display flashes the current setpoint temperature.
2. Press the **▲** or **▼** key to increase or decrease the setpoint temperature. If no key is pressed within 60 seconds, the display will revert to normal operation and the current temperature of the unit will be shown on the display.
3. Press the **set** key to lock in the new setpoint temperature. The display will revert to show the current temperature of the unit.



Digital Temperature Controller

*NOTE: If the display flashes "OFF" and then the current temperature, press and hold the **▲** key for three seconds. The display will no longer flash "OFF".*

*If the display flashes "df" and then the current temperature, press and hold the **▼** key for three seconds. The display will no longer flash "df".*

## Setting the Auto-Defrost Cycle

Remote Drop-In Frost Top Shelves are programmed at the factory with the auto-defrost cycle deactivated. Use the following procedure to activate the auto-defrost cycle if ambient or operational conditions require the unit to defrost occasionally. When the unit is in a defrost cycle, **df** will appear on the display.

1. Press and hold the **set** key for three seconds to access programming mode. "PS" (password) will appear on the display.
2. Press the **set** key again. A numeric value will appear on the display.
3. Press the **▲** or **▼** key until the number "22" appears on the display, then press the **set** key.
4. Use the **▲** or **▼** key to scroll through the programmable parameters until "dl" (defrost interval) appears on the display.
5. Press the **set** key to select "dl". The current number of defrost cycles will be shown on the display. For new units, this value will be "0".

6. Press the **▲** or **▼** key within 60 seconds to scroll to the desired number of hours between defrost cycles. See below for examples of how the defrost cycle(s) operate:

"0" = auto-defrost is deactivated

"1" = unit will defrost every hour

"4" = unit will defrost every four hours

"12" = unit will defrost every twelve hours

If no key is pressed within 60 seconds, the display will revert to normal operation and the current temperature of the unit will be shown on the display.

7. Press the **set** key to lock in the new defrost cycle setting.
8. Press and hold the **set** key for three seconds to exit programming mode. The display will revert to show the current temperature of the unit.

## Changing Fahrenheit and Celsius Setting

Use the following procedure to change between Fahrenheit and Celsius on the display.

1. Press and hold the **set** key for three seconds to access programming mode. "PS" (password) will appear on the display.
2. Press the **set** key again. A numeric value will appear on the display.
3. Press the **▲** or **▼** key until the number "22" appears on the display, then press the **set** key.
4. Use the **▲** or **▼** key to scroll through the programmable parameters until **FS** appears on the display.
5. Press the **set** key to select **FS**.
6. Press the **▲** or **▼** key within 60 seconds to scroll to the desired setting. See below for the correct setting:

"0" = Displays Celsius

"1" = Displays Fahrenheit

If no key is pressed within 60 seconds, the display will revert to normal operation and the current temperature of the unit will be shown on the display.

7. Press the **set** key to lock in the new setting.
8. Press and hold the **set** key for three seconds to exit programming mode. The display will revert to show the current temperature of the unit.

## General

Hatco Remote Drop-In Frost Top Shelves are designed for maximum durability and performance, with minimum maintenance.

### **⚠ WARNING**

#### **ELECTRIC SHOCK HAZARD:**

- Turn OFF power switch and disconnect unit from power source before performing any cleaning, adjustments, or maintenance.
- DO NOT submerge or saturate with water. Unit is not waterproof. Do not operate if unit has been submerged or saturated with water.
- This unit is not “jet-proof” construction. Do not use jet-clean spray to clean this unit.
- Do not steam clean or use excessive water on unit.
- This unit must be serviced by qualified personnel only. Service by unqualified personnel may lead to electric shock or burn.

**FIRE HAZARD:** Do not use flammable cleaning solutions to clean this unit.

This unit has no “user-serviceable” parts. If service is required on this unit, contact an Authorized Hatco Service Agent or contact the Hatco Service Department at 800-558-0607 or 414-671-6350.

### **NOTICE**

Clean unit daily to avoid malfunctions and maintain sanitary operation.

Do not use steel wool for cleaning. Steel wool will scratch the finish.

Use non-abrasive cleaners and cloths only. Abrasive cleaners and cloths could scratch the finish of the unit, marring its appearance and making it susceptible to soil accumulation.

Do not use harsh chemicals such as bleach, cleaners containing bleach, or oven cleaners to clean this unit.

## Daily Cleaning

1. Move the Power I/O (on/off) Switch to the **O** (off) position and allow the unit to defrost.

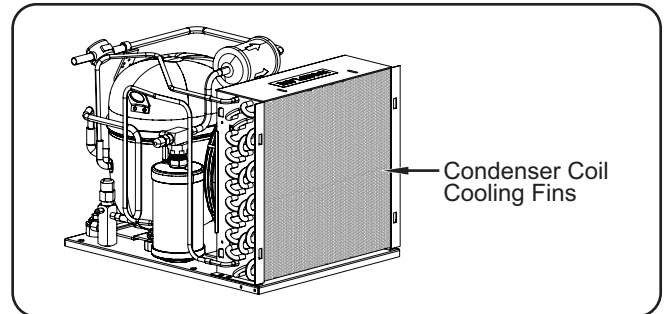
*NOTE: If a catch pan is used underneath the drain fitting, make sure the pan is emptied regularly to prevent overflowing.*

2. Remove and wash any pans.
3. Clean the frost top using a damp cloth or sponge and mild detergent. Use a plastic scouring pad to remove any hardened food particles or mineral deposits.
4. Wipe down the frost top with a non-abrasive, sanitized cloth to remove the detergent residue. Repeat until all detergent residue is gone and the frost top is clean.
5. Wipe down the outside of the ventilation panels where the condensing unit is installed.
6. Wipe dry the entire unit and the ventilation panels with a clean, non-abrasive cloth.

## Monthly Cleaning (FTBR Models only)

Perform the following procedure monthly to maintain proper and efficient operation as well as prevent malfunction of the condensing unit.

1. Remove and clean both sides of the ventilation panels that are located where the condensing unit is installed. Dirt and dust build-up in the panels can restrict air flow to the condensing unit and cause over-heating.
2. Clean the condenser coil cooling fins. Dirt, dust, and lint build-up in the cooling fins will prevent proper cooling of the refrigerant in the refrigeration system. This buildup will cause inefficient operation and can lead to unit failure. Use the following methods to clean the condenser coil cooling fins:
  - Vacuum the cooling fins.
  - Brush the cooling fins vertically using a condenser coil brush. **NOTICE: Use caution when brushing the cooling fins, they are delicate and can be bent easily. DO NOT use a wire brush.**



Condenser Coil Cooling Fins



*NOTE: Depending on the conditions of the installation site, this cleaning procedure may need to be performed more often or less often than monthly. Monitor the level of dirt, dust, and lint buildup on the panels and cooling fins, and make adjustments to the frequency of cleanings as necessary.*



This unit must be serviced by qualified personnel only. Service by unqualified personnel may lead to electric shock or burn.



**ELECTRIC SHOCK HAZARD:** Turn OFF power switch and disconnect unit from power source before performing any cleaning, adjustments, or maintenance.

Symptom	Probable Cause	Corrective Action
Unit too cold.	Setpoint temperature too low.	Adjust the setpoint temperature to a higher setting. Refer to the procedure in the OPERATION section.
	Digital temperature controller not working properly.	Contact Authorized Service Agent or Hatco for assistance.
Unit not cold enough.	Food product not pre-chilled before loading in unit.	Load unit with pre-chilled food product only.
	Setpoint temperature set too high.	Adjust the setpoint temperature to a lower setting. Refer to the procedure in the OPERATION section.
	Condenser coil and/or ventilation panels are plugged.	Clean the condenser coil and ventilation panels. Refer to the "Monthly Cleaning" procedure in the MAINTENANCE section.
	Too much frost built up inside of unit.	Turn off, defrost, and clean the unit. Activate an auto-defrost cycle, if necessary (refer to the procedure in the OPERATION section).
	Digital temperature controller not working properly.	Contact Authorized Service Agent or Hatco for assistance.
	Refrigerant low/leaking or other internal condensing unit malfunction.	
Controller display flashes "OFF" and unit is not working.	The unit is in Standby mode.	Press and hold the  key for three seconds. The display will no longer flash "OFF".
Controller display flashes "df" and unit is not working.	The unit is in Defrost mode.	Press and hold the  key for three seconds. The display will no longer flash "df".
Unit plugged in, but not working.	Unit turned off.	Turn on unit.
	Circuit breaker tripped.	Reset circuit breaker. If circuit breaker continues to trip, contact Authorized Service Agent or Hatco for assistance.
	Digital temperature controller not working properly.	Contact Authorized Service Agent or Hatco for assistance.
	Condensing unit overheated.	
	Internal condensing unit malfunction.	

### Troubleshooting Questions?

If you continue to have problems resolving an issue, please contact the nearest Authorized Hatco Service Agency or Hatco for assistance. To locate the nearest Service Agency, log onto the Hatco website at [www.hatcocorp.com](http://www.hatcocorp.com), select the *Support* pull-down menu, and click on "Find A Service Agent"; or contact the **Hatco Parts and Service Team** at:

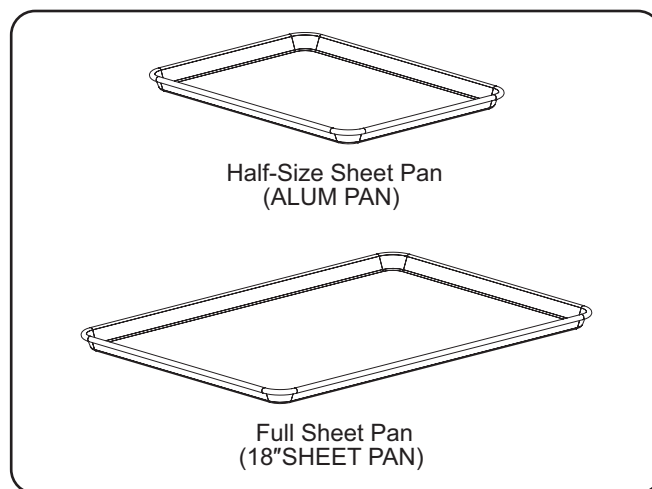
Telephone: 800-558-0607 or 414-671-6350

e-mail: [support@hatcocorp.com](mailto:support@hatcocorp.com)

## Food Pans

Accessory food pans are available in various sizes.

<b>ALUM PAN</b>	Half-size aluminum sheet pan — 18"W x 13"D (457 x 330 mm)
<b>18"SHEET PAN</b>	Full size aluminum sheet pan — 18"W x 26"D (457 x 660 mm)



Food Pans

## LIMITED WARRANTY

### 1. PRODUCT WARRANTY

Hatco warrants the products that it manufactures (the "Products") to be free from defects in materials and workmanship, under normal use and service, for a period of one (1) year from the date of purchase when installed and maintained in accordance with Hatco's written instructions or 18 months from the date of shipment from Hatco. Buyer must establish the Product's purchase date by registering the Product with Hatco or by other means satisfactory to Hatco in its sole discretion.

Hatco warrants the following Product components to be free from defects in materials and workmanship from the date of purchase (subject to the foregoing conditions) for the period(s) of time and on the conditions listed below:

- a) **One (1) Year Parts and Labor PLUS One (1) Additional Year Parts-Only Warranty:**
  - Conveyor Toaster Elements (metal sheathed)
  - Drawer Warmer Elements (metal sheathed)
  - Drawer Warmer Drawer Rollers and Slides
  - Strip Heater Elements (metal sheathed)
  - Display Warmer Elements (metal sheathed air heating)
  - Holding Cabinet Elements (metal sheathed air heating)
  - Heated Well Elements — HW and HWB Series (metal sheathed)
- b) **Two (2) Year Parts and Labor Warranty:**
  - Induction Ranges
  - Induction Warmers
- c) **One (1) Year Parts and Labor PLUS Four (4) Years Parts-Only Warranty:**
  - 3CS and FR Tanks
- d) **One (1) Year Parts and Labor PLUS Nine (9) Years Parts-Only Warranty on:**
  - Electric Booster Heater Tanks
  - Gas Booster Heater Tanks
- e) **Ninety (90) Day Parts-Only Warranty:**
  - Replacement Parts

THE FOREGOING WARRANTIES ARE EXCLUSIVE AND IN LIEU OF ANY OTHER WARRANTY, EXPRESSED OR IMPLIED, INCLUDING BUT NOT LIMITED TO ANY IMPLIED WARRANTY OF MERCHANTABILITY OR FITNESS FOR A PARTICULAR PURPOSE OR PATENT OR OTHER INTELLECTUAL PROPERTY RIGHT INFRINGEMENT. Without limiting the generality of the foregoing, SUCH WARRANTIES DO NOT COVER: Coated incandescent light bulbs, fluorescent lights, heat lamp bulbs, coated halogen light bulbs, halogen heat lamp bulbs, xenon light bulbs, LED light tubes, glass components, and fuses; Product failure in booster tank, fin tube heat exchanger, or other water heating equipment caused by liming, sediment buildup, chemical attack, or freezing; or Product misuse, tampering or misapplication, improper installation, or application of improper voltage.

### 2. LIMITATION OF REMEDIES AND DAMAGES

Hatco's liability and Buyer's exclusive remedy hereunder will be limited solely, at Hatco's option, to repair or replacement using new or refurbished parts or Product by Hatco or a Hatco-authorized service agency (other than where Buyer is located outside of the United States, Canada, United Kingdom, or Australia, in which case Hatco's liability and Buyer's exclusive remedy hereunder will be limited solely to replacement of part under warranty) with respect to any claim made within the applicable warranty period referred to above. Hatco reserves the right to accept or reject any such claim in whole or in part. In the context of this Limited Warranty, "refurbished" means a part or Product that has been returned to its original specifications by Hatco or a Hatco-authorized service agency. Hatco will not accept the return of any Product without prior written approval from Hatco, and all such approved returns shall be made at Buyer's sole expense. **HATCO WILL NOT BE LIABLE, UNDER ANY CIRCUMSTANCES, FOR CONSEQUENTIAL OR INCIDENTAL DAMAGES, INCLUDING BUT NOT LIMITED TO LABOR COSTS OR LOST PROFITS RESULTING FROM THE USE OF OR INABILITY TO USE THE PRODUCTS OR FROM THE PRODUCTS BEING INCORPORATED IN OR BECOMING A COMPONENT OF ANY OTHER PRODUCT OR GOODS.**

<b>Informations Importantes pour le Propriétaire</b> .....	16	Dimensions de découpe du comptoir.....	26
<b>Introduction</b> .....	16	<b>Mode d'emploi</b> .....	27
<b>Consignes de Sécurité Importantes</b> .....	17	Généralités.....	27
<b>Description du Modèle</b> .....	18	Modifier la température nominale.....	28
<b>Désignation du Modèle</b> .....	19	Programmer le cycle de dégivrage automatique.....	28
<b>Caractéristiques Techniques</b> .....	20	Alternance entre l'affichage Fahrenheit et Celsius.....	28
Plans réfrigérés de libre service.....	20	<b>Maintenance</b> .....	29
Groupe compresseur-condenseur (FTBR-FTBR-S).....	20	Généralités.....	29
Électrovanne (FTBX/FTBX-S).....	20	Nettoyage quotidien.....	29
Information sur le fluide frigorigène.....	20	Nettoyage mensuel.....	29
Dimensions.....	21	<b>Guide de Dépannage</b> .....	30
<b>Installation</b> .....	23	<b>Options et Accessoires</b> .....	31
Généralités.....	23	<b>Garantie Limitée</b> .....	31
Raccordement des composants.....	24	<b>Autorisés Distributeurs de Pièces</b> .....	Couverture Arrière
Installation du panneau de commande.....	25		

## INFORMATIONS IMPORTANTES POUR LE PROPRIÉTAIRE

Noter le numéro de modèle, le numéro de série, le voltage et la date d'achat de votre appareil ci-dessous (les étiquettes de caractéristiques techniques sont situées sur le panneau de commande, la cuve du plan réfrigéré et le groupe compresseur-condenseur, s'il y en a un). Veuillez avoir cette information à portée de la main si vous appelez Hatco pour assistance.

Modèle No. \_\_\_\_\_

Numéro de série \_\_\_\_\_

Voltage \_\_\_\_\_

Date d'achat \_\_\_\_\_

### Enregistrez votre appareil!

Remplissez la garantie en ligne pour éviter les retards pour faire jouer la garantie. Accédez au site Web Hatco [www.hatcocorp.com](http://www.hatcocorp.com), sélectionnez le menu déroulant *Support (Assistance)*, puis cliquez sur « Warranty » (Garantie).

#### Horaires

ouvrables : 7h00 à 17h00 du lundi au vendredi  
Heure du Centre (CT)

(Horaires d'été—juin à septembre:  
7h00 à 17h00 du lundi au jeudi  
7h00 à 16h00 le vendredi)

Téléphone: 800-558-0607; 414-671-6350

Courriel: [support@hatcocorp.com](mailto:support@hatcocorp.com)



Service d'assistance et de pièces de rechange disponible 7j/7, 24h/24 aux États-Unis et au Canada en composant le 800-558-0607.

Des renseignements supplémentaires sont disponibles sur notre site Web à [www.hatcocorp.com](http://www.hatcocorp.com).

## INTRODUCTION

Les plans réfrigérés de libre-service contrôlés à distance Hatco sont spécialement conçus pour les aliments froids de libre-service rapide, tels que des boissons froides, des collations, des hors d'œuvres et des plats d'accompagnement. Les appareils s'encastrent sur le dessus d'un meuble, sont isolés et conçus pour accueillir des plateaux fins de dimensions ordinaires. En configuration standard, ils peuvent contenir un, deux ou trois plateaux, et deux ou trois en configuration allongée.

Les composants des plans réfrigérés de libre-service contrôlés à distance sont envoyés en pièces détachées qui nécessitent une installation et un raccordement sur place. Cette solution offre une plus grande souplesse d'installation à l'utilisateur final que les appareils déjà montés. Les composants sont : une cuve réfrigérée, un panneau de commande et un groupe compresseur-condenseur (modèles FTBR et FTBR-S). Pour les installations comportant déjà un groupe compresseur-condenseur approprié, les plans réfrigérés de libre-service contrôlés à distance sont disponibles avec seulement un plan réfrigéré de libre-service et un panneau de commande (modèles FTBX et FTBX-S). La garantie d'un an pour les pièces ainsi que pour la main d'œuvre sur place est standard.

Les plans réfrigérés de libre-service contrôlés à distance Hatco sont le fruit d'une recherche avancée et d'essais pratiques. Les matériaux utilisés ont été sélectionnés pour une durabilité maximale, une apparence attractive et des performances optimales. Chaque appareil est soigneusement inspecté et testé avant expédition.

Ce manuel fournit les instructions d'installation, de sécurité et d'utilisation pour les plans réfrigérés de libre-service contrôlés à distance Hatco. Hatco vous recommande de lire l'ensemble des instructions d'installation, de sécurité et de fonctionnement contenues dans ce manuel avant d'installer et d'utiliser l'appareil.

Les consignes de sécurité qui apparaissent dans ce manuel sont identifiées par les mots indicateurs suivants :

### **AVERTISSEMENT**

**AVERTISSEMENT** indique une situation dangereuse qui, si elle n'est pas évitée, peut provoquer la mort ou des blessures graves.

### **ATTENTION**

**ATTENTION** indique une situation dangereuse qui, si elle n'est pas évitée, peut provoquer des blessures légères ou moyennes.

### **AVIS**

**AVIS** est utilisé pour des questions sans rapport avec des blessures corporelles.



Lisez les consignes de sécurité importantes suivantes avant d'utiliser cet équipement pour éviter toute blessure grave ou la mort et pour éviter d'endommager l'équipement ou la propriété.

### ⚠ AVERTISSEMENT

#### DANGER DE DÉCHARGE ÉLECTRIQUE :

- Les appareils fournis sans cordon ni prise électrique nécessitent un branchement câblé au système électrique sur place. Le câblage doit être mis à la terre de manière appropriée. Son voltage, sa dimension et sa configuration doivent également correspondre aux spécifications de l'unité. Contactez un électricien qualifié pour procéder au choix et à l'installation des branchements électriques adaptés.
- L'appareil doit être installé par des installateurs professionnels qualifiés. L'installation doit être conforme à toutes les normes électriques et de plomberie locales. Une installation par un personnel non qualifié aura pour conséquence une annulation de la garantie de l'appareil et peut entraîner une décharge électrique ou une brûlure, ainsi que des dommages pour l'appareil et/ou ses alentours. Vérifiez les procédures et les normes à suivre auprès de vos inspecteurs locaux en plomberie et en électricité.
- Mettez l'unité hors tension depuis l'interrupteur et débranchez le cordon d'alimentation avant d'effectuer tout nettoyage, tout réglage ou tout entretien.
- L'unité n'est pas étanche. Il doit être installé en intérieur.
- NE PAS immerger l'appareil ni le saturer d'eau. L'appareil n'est pas étanche à l'eau. Ne pas le faire fonctionner s'il a été immergé ou saturé d'eau.
- Cet appareil n'est pas étanche aux jets. Ne pas utiliser de jet sous pression pour nettoyer l'appareil.
- Ne nettoyez pas l'appareil à la vapeur et n'utilisez pas de l'eau en quantité excessive.
- La réparation de cet appareil doit être confiée exclusivement à du personnel qualifié. Les réparations par des personnes non qualifiées peuvent provoquer des décharges électriques et des brûlures.
- Pour les réparations, utiliser exclusivement des pièces de rechange Hatco d'origine. Utilisez des pièces détachées Hatco authentiques sous peine d'annuler toutes les garanties et d'exposer l'utilisateur à des tensions électriques dangereuses pouvant entraîner une électrocution ou des brûlures. Les pièces de rechange Hatco d'origine sont conçues pour fonctionner sans danger dans les environnements dans lesquels elles sont utilisées. Certaines pièces de rechange génériques ou de second marché ne présentent pas les caractéristiques leur permettant de fonctionner sans danger dans la matériel Hatco.

#### DANGER D'INCENDIE :

- Lors de l'installation, un espace minimum de 152 mm (6") doit être maintenu entre les parois du groupe compresseur-condenseur et toute surface combustible.
- N'utilisez pas des solutions nettoyantes inflammables pour nettoyer cet appareil.

**RISQUE D'EXPLOSION:** Ne conservez pas ou n'utilisez pas d'essence ou d'autres vapeurs ou liquides inflammables à proximité de cet appareil ou de tout autre appareil.

### ⚠ AVERTISSEMENT

L'élément doit être installé par des installateurs formés et qualifiés. L'installation doit être conforme à toutes les normes électriques et de plomberie locales. Vérifiez les procédures et les normes à suivre auprès de vos inspecteurs locaux en plomberie et en électricité.

Assurez-vous que les aliments ont été correctement réfrigérés à une température appropriée avant de les placer dans l'appareil. Maintenir des aliments à une température inappropriée peut entraîner des risques graves pour la santé. Cet appareil est uniquement destiné à maintenir frais des aliments préalablement réfrigérés.

Hatco Corporation n'est pas responsable de la température réelle à laquelle les aliments sont servis. Il est de la responsabilité de l'utilisateur de s'assurer que la nourriture est conservée et servie à une température sans danger.

Assurez-vous que tous les opérateurs ont été formés à l'utilisation sûre et correcte de l'appareil.

Cet appareil ne doit pas être utilisé par des enfants ou des personnes avec des capacités physiques, sensorielles ou mentales diminuées. Assurez-vous que les enfants sont bien surveillés et tenez-les à l'écart de l'appareil.

L'appareil doit être maintenu dans un état de propreté correct. Des bonnes conditions de propreté et d'hygiène sont essentielles à une manipulation saine des aliments. Reportez-vous à la section MAINTENANCE pour consulter les procédures de nettoyage.

Cet appareil ne contient aucune pièce réparable par l'utilisateur. Si cet appareil doit être réparé, contacter un réparateur Hatco agréé ou le Service après-vente Hatco au 800-558-0607 ou 414-671-6350.

### ⚠ ATTENTION

Placez l'appareil à une hauteur de comptoir adaptée et sur un emplacement pratique pour son utilisation. L'emplacement choisi doit être de niveau et solide afin de supporter le poids de l'appareil et de son contenu.

### AVIS

L'appareil est conçu pour être utilisé dans des environnements où la température ambiante se situe entre 18°C (65°F) et 30°C (86°F).

En cas d'expédition en hiver, stocker l'appareil dans un environnement à température ambiante adéquate pendant 10 heures afin d'éviter d'endommager le compresseur et/ou le circuit frigorifique. Si l'appareil est allumé et que vous constatez une vibration et des bruits excessifs, éteignez-le immédiatement et laissez-le chauffer un peu plus longtemps.

## AVIS

Prévoyez des ouvertures à grille ou à persiennes de 31 x 31 cm soit 961 cm<sup>2</sup> (12" x 12"/144 square inches) dans le meuble devant et derrière le groupe compresseur-condenseur pour une bonne ventilation. Une mauvaise circulation de l'air dans le groupe compresseur-condenseur pourrait entraîner une panne de l'appareil et aurait pour effet d'annuler la garantie.

Maintenez l'appareil dans la position verticale lors du transport et de l'installation. Le non-respect de cette mesure pourrait endommager le système de réfrigération.

Lors de l'installation, manipulez l'appareil avec précaution et évitez au maximum de heurter les tuyaux et les conduites. La garantie ne couvre pas les éléments endommagés pendant l'installation.

## AVIS

Nettoyez l'unité quotidiennement pour éviter les dysfonctionnements et assurer un fonctionnement sain.

Utilisez uniquement des nettoyeurs non abrasifs et des chiffons doux. Les chiffons et nettoyeur abrasifs pourraient rayer la finition de l'unité, altérant son apparence et la rendant vulnérable à l'accumulation de saleté.

N'utilisez pas de paille de fer pour le nettoyage. La paille de fer raye les finitions.

L'utilisation de produits chimiques agressifs tels que l'eau de javel, les produits nettoyeurs contenant de la javel, ou les produits de nettoyage pour les fours sont proscrits pour nettoyer l'appareil.

Cette unité est réservée à un usage professionnel uniquement — elle n'est PAS dédiée à un usage personnel.

## DESCRIPTION DU MODÈLE

### Tous les Modèles

Les plans réfrigérés de libre-service contrôlés à distance Hatco sont fiables et polyvalents. Chaque appareil possède une structure isolée en acier aluminisé et en acier inoxydable. La partie inférieure de la cuve encastrée du plan réfrigéré est recouverte d'un serpentin d'évaporateur en cuivre pour assurer un refroidissement uniforme d'un bout à l'autre. Un drain de 1 po NPT dans la cuve encastrée est standard dans tous les appareils pour deux ou trois plateaux. Les plans réfrigérés de libre-service contrôlés à distance sont commandés par un régulateur de température numérique et un interrupteur d'alimentation I/O (marche/arrêt) placés dans un seul panneau de commande monté à distance. Tous les modèles sont conçus pour être installés sur le dessus des différents types de revêtements de comptoir y compris l'acier inoxydable, le bois, le revêtement massif, le granit synthétique, etc. Les plans réfrigérés de libre-service contrôlés à distance Hatco sont conçus, fabriqués et testés pour maintenir une température de conservation des aliments en toute sécurité.

### Modèles FTBR

Les modèles FTBR sont disponibles dans des configurations à un, deux ou trois plateaux. Sur ces modèles, en position standard, les plateaux sont placés en largeur et face aux clients.

Les modèles FTBR comprennent un plan réfrigéré de libre-service, un panneau de commande monté à distance, un groupe compresseur-condenseur monté à distance et un détendeur thermostatique (livré séparément). Tous les raccordements électriques et de plomberie entre les composants ainsi qu'avec l'alimentation électrique relèvent de la responsabilité de l'utilisateur final et de l'installateur qualifié.

### Modèles FTBR-S

Les modèles FTBR-S sont disponibles dans des configurations à deux ou trois plateaux. Ces modèles ont une conception « allongée », c'est-à-dire que le plus long côté des plateaux fins de dimensions ordinaires est face au client. Cette conception allongée permet un accès facile à tout ce qui se trouve sur les plateaux.

Les modèles FTBR-S comprennent un plan réfrigéré de libre-service, un panneau de commande monté à distance, un groupe compresseur-condenseur monté à distance et un détendeur thermostatique (livré séparément). Tous les raccordements électriques et de plomberie entre les composants ainsi qu'avec l'alimentation électrique relèvent de la responsabilité de l'utilisateur final et de l'installateur qualifié.

### Modèles FTBX

Les modèles FTBX sont disponibles dans des configurations à un, deux ou trois plateaux. Sur ces modèles, en position standard, les plateaux sont placés en largeur et face aux clients.

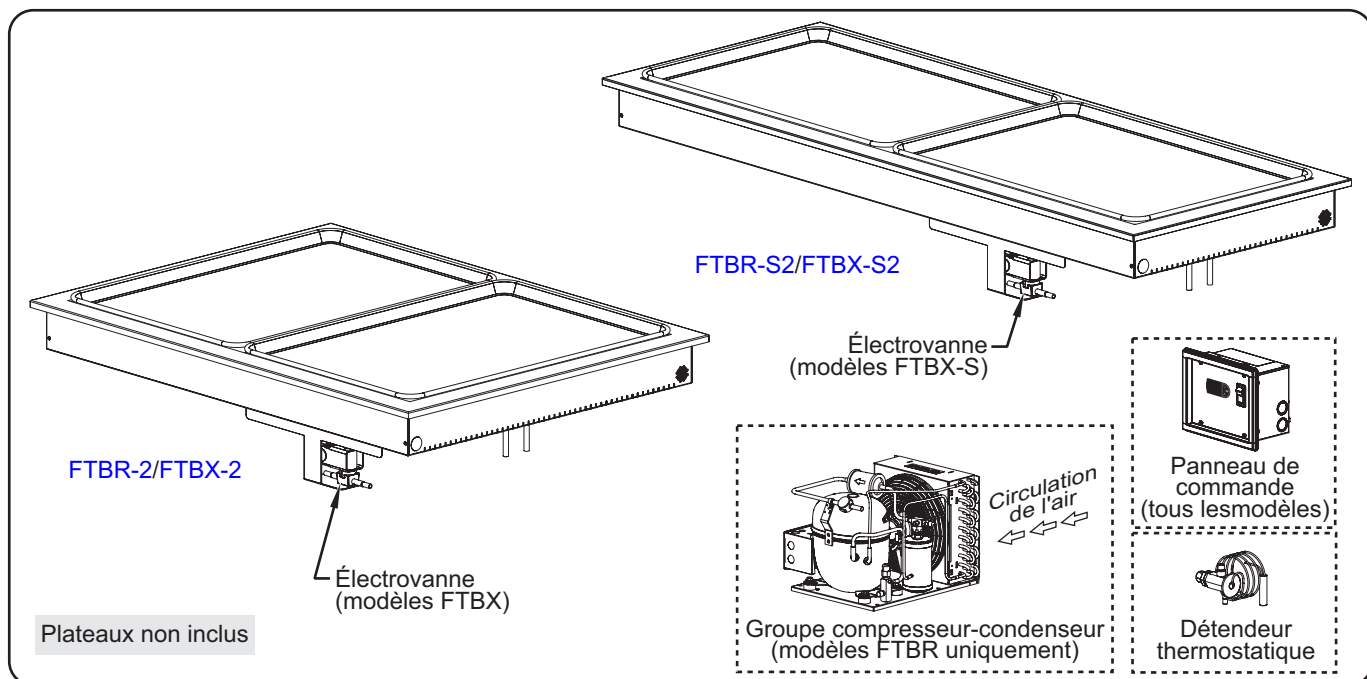
Les modèles FTBX comprennent un plan réfrigéré de libre-service avec une électrovanne, un panneau de commande monté à distance et un détendeur thermostatique (livré séparément). Ces modèles doivent être raccordés à un groupe compresseur-condenseur fourni par l'utilisateur final. Tous les raccordements électriques et de plomberie entre les composants ainsi qu'avec l'alimentation électrique relèvent de la responsabilité de l'utilisateur final et de l'installateur qualifié.

### Modèles FTBX-S

Les modèles FTBX-S sont disponibles dans des configurations à deux ou trois plateaux. Ces modèles ont une conception « allongée », c'est-à-dire que le plus long côté des plateaux fins de dimensions ordinaires est face au client. Cette conception allongée permet un accès facile à tout ce qui se trouve sur les plateaux.

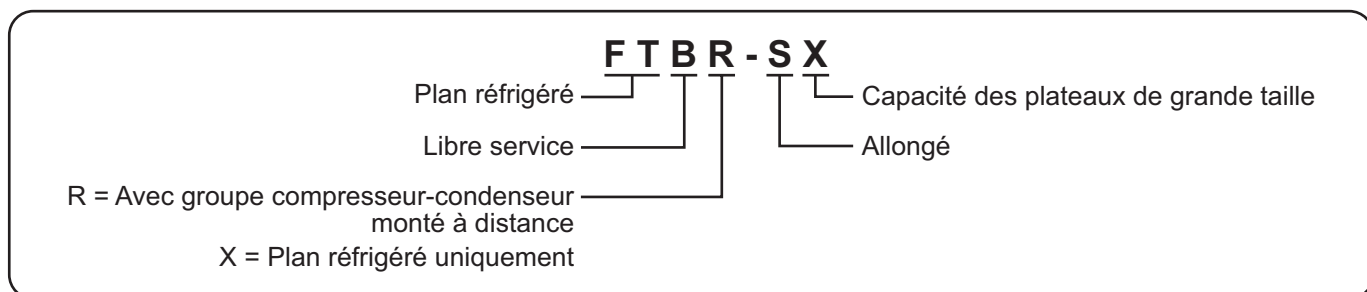
Les modèles FTBX-S comprennent un plan réfrigéré de libre-service avec une électrovanne, un panneau de commande monté à distance et un détendeur thermostatique (livré séparément). Ces modèles doivent être raccordés à un groupe compresseur-condenseur fourni par l'utilisateur final. Tous les raccordements électriques et de plomberie entre les composants ainsi qu'avec l'alimentation électrique relèvent de la responsabilité de l'utilisateur final et de l'installateur qualifié.

*NOTA: Des plateaux fins pour plans réfrigérés de libre-service contrôlés à distance sont disponibles à la vente. Consultez la section OPTIONS ET ACCESSOIRES de ce manuel pour plus de détails.*



Plans réfrigérés de libre-service contrôlés à distance

DÉSIGNATION DU MODÈLE



## Plans réfrigérés de libre service

Modèle	Taille des conduites		Charge BTU/heure
	Aspiration	Liquide	
FTBR-3/4 e FTBX-3/4	3/8"	1/4"	250
FTBR-1 e FTBX-1	3/8"	1/4"	330
FTBR-2 e FTBX-2	3/8"	1/4"	630
FTBR-3 e FTBX-3	3/8"	1/4"	930
FTBR-S2 e FTBX-S2	3/8"	1/4"	630
FTBR-S3 e FTBX-S3	3/8"	1/4"	930

## Groupe compresseur-condenseur (modèles FTBR et FTBR-S uniquement)

Modèle	Taille du compresseur	Tension	Intensité	Amps	Configuration de Fiches	Poids d'embarquement
FTB-3/4	1/5 hp	120	300	3.8	NEMA 5-15P	54 kg (120 lbs.)
FTB-1	1/5 hp	120	300	3.8	NEMA 5-15P	60 kg (132 lbs.)
	1/3 hp	220–230–240	1089–1190–1296	5.0–5.2–5.4	BS-1363, AS 3112, CEE 7/7	
FTB-2	1/5 hp	120	300	3.8	NEMA 5-15P	82 kg (180 lbs.)
	1/3 hp	220–230–240	1089–1190–1296	5.0–5.2–5.4	BS-1363, AS 3112, CEE 7/7	
FTB-3	1/5 hp	120	300	3.8	NEMA 5-15P	97 kg (213 lbs.)
	1/3 hp	220–230–240	1089–1190–1296	5.0–5.2–5.4	BS-1363, AS 3112, CEE 7/7	
FTB-S2	1/5 hp	120	300	3.8	NEMA 5-15P	83 kg (182 lbs.)
	1/3 hp	220–230–240	1089–1190–1296	5.0–5.2–5.4	BS-1363, AS 3112, CEE 7/7	
FTB-S3	1/5 hp	120	300	3.8	NEMA 5-15P	109 kg (239 lbs.)
	1/3 hp	220–230–240	1089–1190–1296	5.0–5.2–5.4	BS-1363, AS 3112, CEE 7/7	

## Électrovanne (modèles FTBX/FTBX-S uniquement)

Tension	Hertz	Intensité	Amps
120	50/60	12	0.1
220–230–240	50/60	17	0.1

Les zones ombrées contiennent des informations électriques pour les modèles internationaux uniquement.

## Information sur le fluide frigorigène

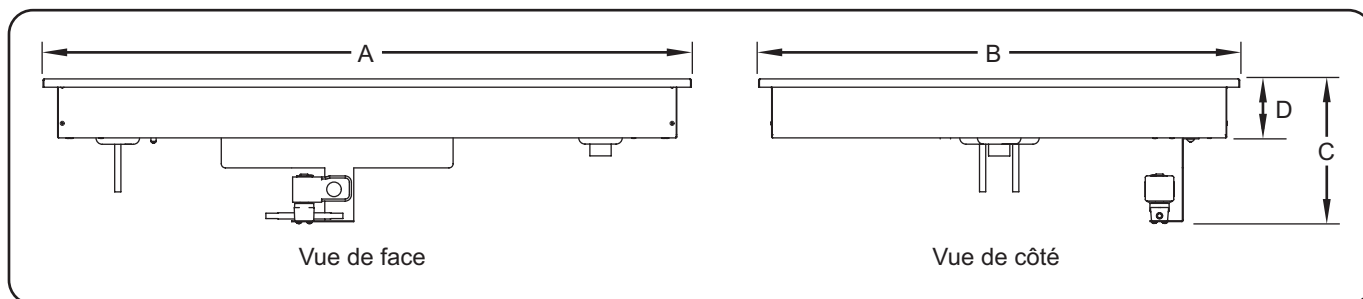
Pour toutes les cuves réfrigérées libre service Hatco, le groupe compresseur-condenseur fonctionne avec le fluide frigorigène R-513A.

Dimensions — Modèles FTBR/FTBX

Modèle	Largeur (A)	Prof. (B)	Hauteur globale (C)	Hauteur du rayonnage (D)
FTBR-3/4	457 mm (18")	535 mm (21-1/16")	219 mm (8-5/8")	90 mm (3-9/16")
FTBX-3/4				
FTBR-1	735 mm (29")	535 mm (21-1/16")	219 mm (8-5/8")	90 mm (3-9/16")
FTBX-1				

Modèle	Largeur (A)	Prof. (B)	Hauteur globale (C)	Hauteur du rayonnage (D)
FTBR-2	991 mm (39")	735 mm (29")	219 mm (8-5/8")	90 mm (3-9/16")
FTBX-2				
FTBR-3	1448 mm (57")	735 mm (29")	219 mm (8-5/8")	90 mm (3-9/16")
FTBX-3				

NOTA: L'électrovanne et le support dont les dimensions sont comprises dans la hauteur globale (C) n'apparaissent que dans les modèles FTBX.

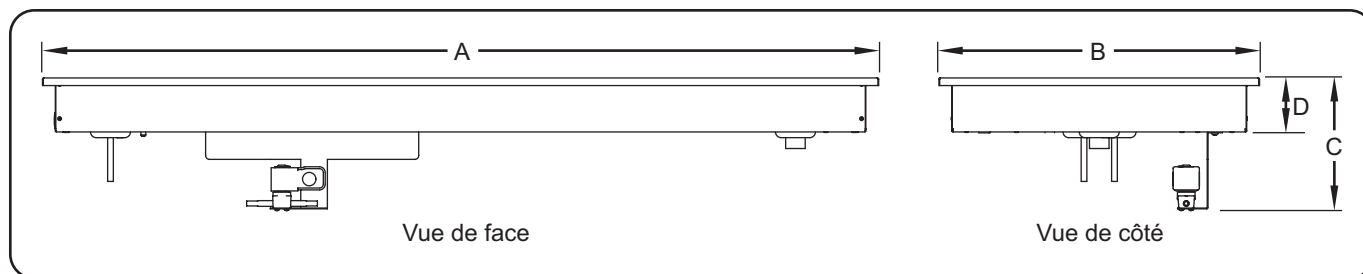


Dimensions — Modèles FTBR/FTBX

Dimensions — Modèles FTBR-S/FTBX-S

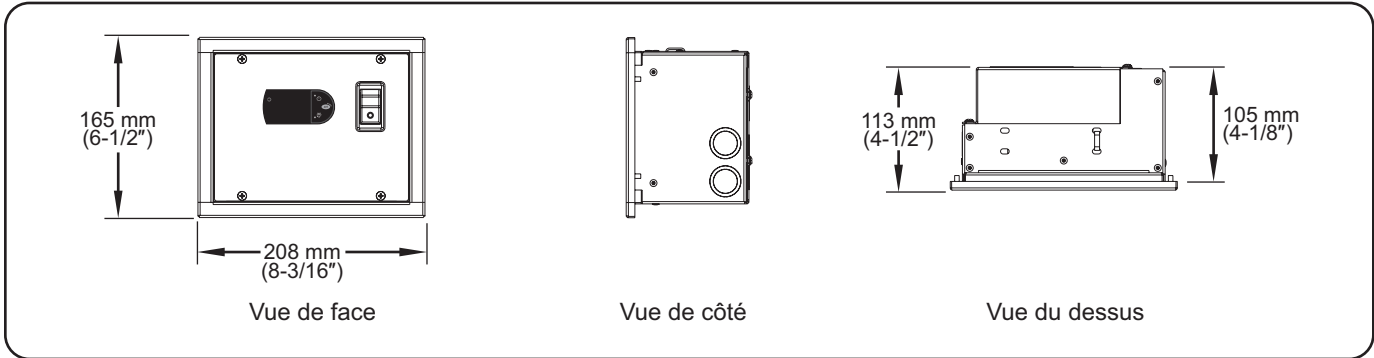
Modèle	Largeur (A)	Prof. (B)	Hauteur globale (C)	Hauteur du rayonnage (D)
FTBR-S2	1395 mm (54-15/16")	535 mm (21-1/16")	219 mm (8-5/8")	90 mm (3-9/16")
FTBX-S2				
FTBR-S3	2053 mm (80-13/16")	535 mm (21-1/16")	219 mm (8-5/8")	90 mm (3-9/16")
FTBX-S3				

NOTA: L'électrovanne et le support dont les dimensions sont comprises dans la hauteur globale (C) n'apparaissent que dans les modèles FTBX-S.



Dimensions — Modèles FTBR-S/FTBX-S

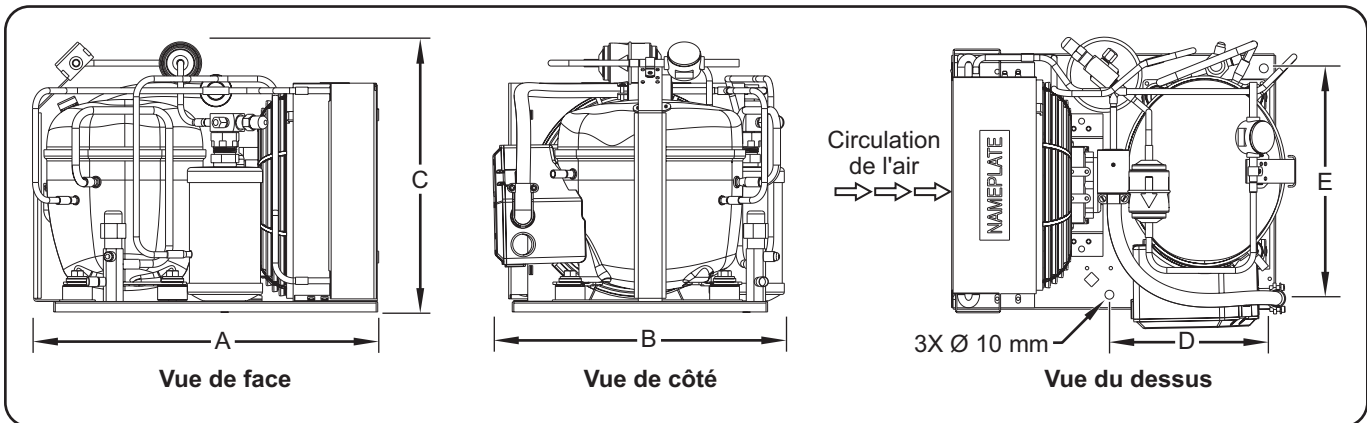
## Dimensions — Panneau de commande



Dimensions — Panneau de commande

## Dimensions — Groupe compresseur-condenseur (modèles FTBR et FTBR-S uniquement)

Modèle	Largeur de la base (A)	Profondeur de la base (B)	Hauteur (C)	Largeur d'emplacement de l'orifice de montage (D)	Profondeur d'emplacement de l'orifice de montage (E)
FTBR-3/4 FTBR-1 FTBR-2 FTBR-3 FTBR-S2 FTBR-S3	346 mm (13-11/16")	273 mm (10-3/4")	289 mm (11-3/8")	165 mm (6-1/2")	242 mm (9-9/16")



Dimensions — Groupe compresseur-condenseur

## Spécificités de fonctionnement

Pression de décharge	Pression d'aspiration	Surchauffe	Sous-refroidissement
115 to 125 psig (7.9 to 8.6 bar)	0.4 to 0.6 bar (6 to 9 psig)	2.2° to 5.6°C (4° to 10°F)	2.8° to 5.6°C (5° to 10°F)

NOTA: Les spécifications de fonctionnement sont précises pour les appareils dans une température d'air ambiant de 24 °C (75 °F).

## Poids de remplissage de l'unité distante

Modèles	Poids de remplissage
FTBR-3/4, FTBR-1	1 lb 13 oz
FTBR-2, FTBR-3 FTBR-S2, FTBR-S3	2 lbs 1 oz

## Généralités

Les plans réfrigérés de libre-service contrôlés à distance sont livrés par l'usine en pièces détachées qui nécessitent une installation et un raccordement. Suivez les procédures suivantes pour installer chaque composant et effectuer les raccordements appropriés.

### ⚠ AVERTISSEMENT

#### DANGER DE DÉCHARGE ÉLECTRIQUE :

- Les appareils fournis sans cordon ni prise électrique nécessitent un branchement câblé au système électrique sur place. Le câblage doit être mis à la terre de manière appropriée. Son voltage, sa dimension et sa configuration doivent également correspondre aux spécifications de l'unité. Contactez un électricien qualifié pour procéder au choix et à l'installation des branchements électriques adaptés.
- L'unité n'est pas étanche. Il doit être installé en intérieur.

**DANGER D'INCENDIE:** Lors de l'installation, un espace minimum de 152 mm (6") doit être maintenu entre les parois du groupe compresseur-condenseur et toute surface combustible.

L'élément doit être installé par des installateurs formés et qualifiés. L'installation doit être conforme à toutes les normes électriques et de plomberie locales. Vérifiez les procédures et les normes à suivre auprès de vos inspecteurs locaux en plomberie et en électricité.

### ⚠ ATTENTION

Placer l'appareil sur un plan de travail de hauteur correcte à un endroit qui convient pour son utilisation. Le support doit être de niveau pour éviter toute chute accidentelle du grille-pain ou de son contenu et suffisamment solide pour résister au poids de l'appareil et de son contenu.

### AVIS

L'appareil est conçu pour être utilisé dans des environnements où la température ambiante se situe entre 65°F (18°C) et 86°F (30°C).

Prévoyez des ouvertures à grille ou à persiennes de 31 x 31 cm soit 961 cm<sup>2</sup> (12" x 12"/144 square inches) dans le meuble devant et derrière le groupe compresseur-condenseur pour une bonne ventilation. Une mauvaise circulation de l'air dans le groupe compresseur-condenseur pourrait entraîner une panne de l'appareil et aurait pour effet d'annuler la garantie.

Maintenez l'appareil dans la position verticale lors du transport et de l'installation. Le non-respect de cette mesure pourrait endommager le système de réfrigération.

Ne pas utiliser l'appareil à un endroit exposé à des températures excessives ou de la graisse de grills, friteuses, etc. Les températures excessives risquent d'abîmer l'appareil.

Tous les plans réfrigérés de libre-service contrôlés à distance sont expédiés dans une structure pour assurer une bonne stabilité et protection. Ne sortez l'appareil de son emballage que lorsque le lieu d'installation et l'appareil sont prêts à être installés.

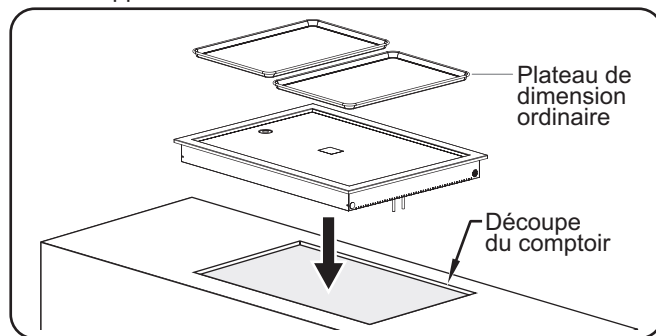
1. Retirez tout l'emballage externe de l'appareil.
2. Retirer le ruban et le film de protection de toutes les surfaces de l'appareil.

**NOTA:** Pour éviter des retards dans l'obtention de la couverture de la garantie, complétez l'enregistrement en ligne de votre garantie. Lisez la section **INFORMATIONS IMPORTANTES POUR LE PROPRIÉTAIRE pour plus de détails.**

3. Percez les ouvertures appropriées dans le comptoir pour permettre l'installation de l'appareil. Reportez-vous au paragraphe « Dimensions pour la découpe du comptoir » de cette section.
4. Découpez et percez les orifices appropriés dans la surface verticale à l'endroit où vous installerez le panneau de commande. Veuillez vous référer à la procédure « Installation du panneau de commande » de cette partie pour connaître les dimensions d'orifice et de découpe.
5. Réalisez les modifications structurelles ou ajoutez des renforts sous le comptoir pour vous assurer qu'il supportera le poids de l'appareil et de son contenu.

**NOTA:** Le comptoir doit être de niveau pour assurer une vidange correcte de la cuve du plan.

6. Sortez l'appareil de sa structure d'expédition en bois et placez-le avec précaution dans la découpe du comptoir. Cette étape nécessite deux personnes ou plus en fonction de l'appareil.



Installation d'un modèle **FTBR-2**

7. Appliquez un agent d'étanchéité à base de silicone homologué par la NSF (National Sanitation Foundation) sur les bords de l'appareil pour le fixer au comptoir.

**NOTA:** Si la condensation excessive apparaît sous le comptoir pendant le fonctionnement, appliquez un mastic de mousse à base de polyuréthane dans l'espace entre la partie inférieure du comptoir et les plans réfrigérés.

8. Pour les appareils à deux ou trois plateaux, raccordez le raccord de drain d'1 po à un siphon et à un tuyau de vidange. Si vous n'avez pas de siphon et de tuyau de vidange, placez une bassine (non fournie) sous le raccord de drain pour récupérer l'eau qui s'écoule de la cuve du plan.

**NOTA:** Faites appel à un plombier professionnel pour installer le siphon et le tuyau de vidange de sorte à respecter les normes de plomberie locales.

9. Installez le panneau de contrôle à l'endroit voulu. Veuillez vous référer à la procédure « Installation du panneau de commande » dans cette partie.

continué...

10. Pour les modèles FTBR, installez le groupe compresseur-condenseur à l'emplacement que vous avez choisi. Veuillez vous référer à la partie CARACTÉRISTIQUES TECHNIQUES pour connaître les dimensions d'installation.

- Assurez-vous que le site de l'installation offre une ventilation continue par circulation d'air au niveau du groupe compresseur-condenseur.
- Assurez-vous qu'il y ait un espace minimum de 152 mm (6") entre tous les côtés du groupe compresseur-condenseur et toute surface combustible.

11. Demandez à des installateurs qualifiés d'effectuer la procédure « Raccordement des composants » de cette partie.

12. Nettoyez minutieusement la cuve en vue de la mise en service. Reportez-vous à la section Maintenance pour consulter les procédures de nettoyage correctes.

**NOTA:** Si vous utilisez une bassine pour récupérer l'eau sous le raccord de drain, assurez-vous qu'elle est vidée régulièrement pour éviter qu'elle ne déborde.

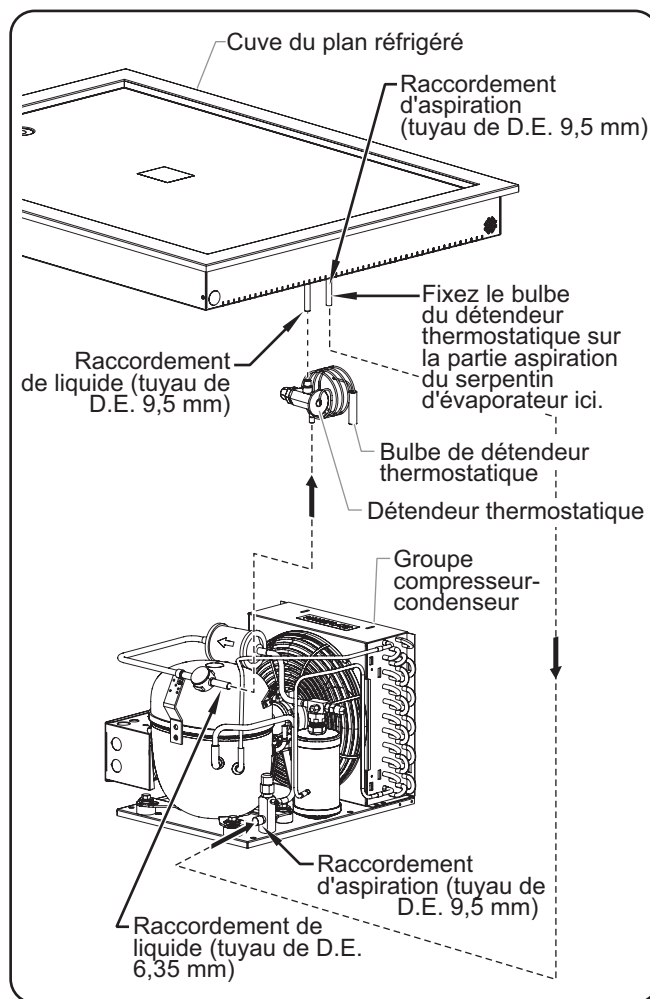
## Raccordement des composants

Suivez la procédure suivante comme guide pour raccorder les composants du système de plan réfrigéré de libre-service contrôlé à distance. Ces raccordements doivent être effectués par des installateurs formés et qualifiés et doivent être conformes aux réglementations électriques et de plomberie locales. Veuillez vous référer à la partie CARACTÉRISTIQUES TECHNIQUES et au schéma de câblage inclus avec l'appareil pour plus de détails concernant les raccordements électriques et de plomberie.

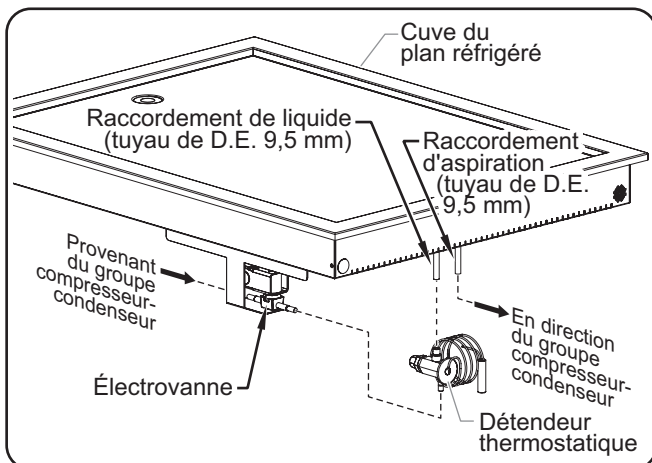
1. Raccordez les conduites de frigorigène d'aspiration et de liquide entre le groupe compresseur-condenseur, le détendeur thermostatique et le serpentin d'évaporateur de la cuve du plan réfrigéré. Veuillez vous référer à l'illustration appropriée ci-dessous et à la partie CARACTÉRISTIQUES TECHNIQUES pour plus de détails concernant le raccordement.

**NOTA:** La longueur maximale de conduite de frigorigène entre le groupe compresseur-condenseur et le serpentin d'évaporateur est de 15 m (50').

**NOTA:** Pour les raccordements de conduites de frigorigène, utilisez un composé pour brasage autodécapant (par exemple : Sil-Fos 5®) à une plage de température de brasage de 704 à 816 °C (1 300 à 1 500 °F).



Raccordements de conduites de frigorigène pour le modèle FTBR



Raccordements de conduites de frigorigène pour le modèle FTBX

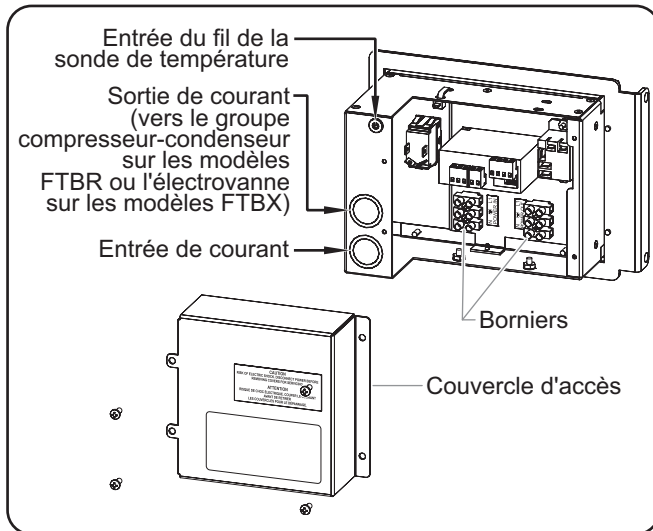
2. Demandez à un électricien qualifié d'effectuer les raccordements électriques appropriés du panneau de commande. Veuillez vous référer au schéma de câblage pour plus de détails.

Pour les modèles FTBR :

- Raccordez l'alimentation électrique des locaux au bornier POWER IN (entrée de courant) par le biais de l'entrée défonçable d'entrée du courant.
- Raccordez le courant provenant du bornier POWER OUT (sortie de courant) à l'entrée du courant dans le groupe compresseur-condenseur par le biais de l'entrée défonçable de sortie du courant.



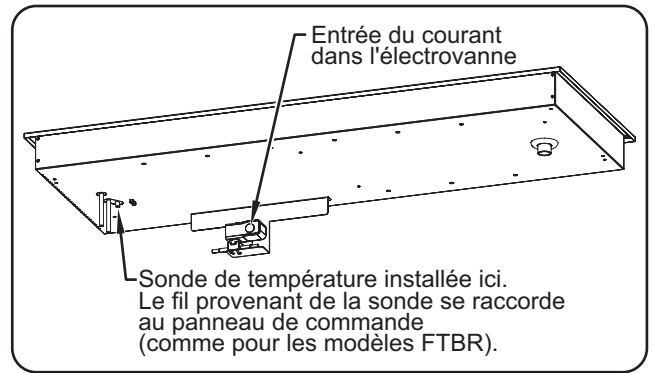
- Raccordez les fils de la sonde de température provenant du compartiment chauffant aux fils de la sonde du régulateur de température numérique.



Raccordements du panneau de commande

Pour les modèles FTBX :

- Raccordez l'alimentation électrique des locaux au bornier POWER IN (entrée de courant) par le biais de l'entrée défonçable d'entrée du courant.
- Raccordez le courant provenant du bornier POWER OUT (sortie de courant) à l'électrovanne de la cuve du plan réfrigéré par le biais de l'entrée défonçable de sortie du courant.
- Raccordez les fils de la sonde de température provenant du compartiment chauffant aux fils de la sonde du régulateur de température numérique.



Raccordements électriques du modèle FTBX

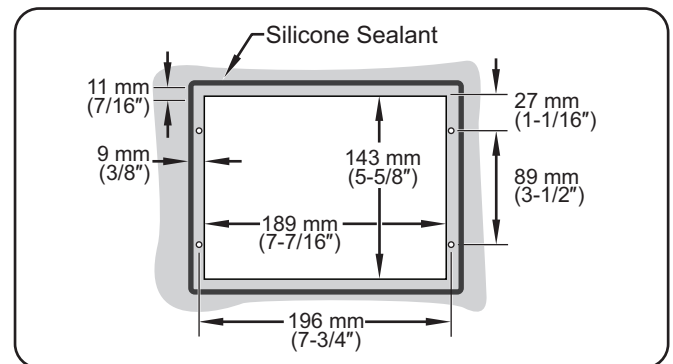
### Installer le panneau de contrôle à distance

Suivez les instructions suivantes pour installer le panneau de contrôle à distance.

#### ⚠ AVERTISSEMENT

**Le panneau de contrôle doit être installé sur une surface verticale. L'installation du panneau de contrôle sur une surface horizontale peut entraîner une accumulation de liquides et un risque d'électrocution.**

- Coupez et percez les trous appropriés dans la surface de fixation. Référez-vous à l'illustration « Dimensions des emplacements d'orifices de passage de vis et de découpe pour le panneau de commande » pour obtenir les dimensions de découpe.
- Retirez les quatre vis de compensation du panneau de contrôle et retirez le revêtement protecteur.
- Placez le panneau de contrôle dans l'ouverture par l'arrière.
- Fixez le panneau de contrôle sur la surface verticale à l'aide de quatre vis (non fournies).
- Appliquez un point de joint en silicone approuvé par la NSF de 6 mm (1/4") là où le couvercle à découper sera en contact avec la surface de l'armoire. Référez-vous à l'illustration « Dimensions des emplacements d'orifices de passage de vis et de découpe pour le panneau de commande » pour obtenir plus d'informations.
- Réinstallez le revêtement protecteur sur le panneau de contrôle et fixez-le à l'aide des quatre vis de compensation. Assurez-vous que l'extrémité du couvercle est bien enfoncée dans le joint en silicone.



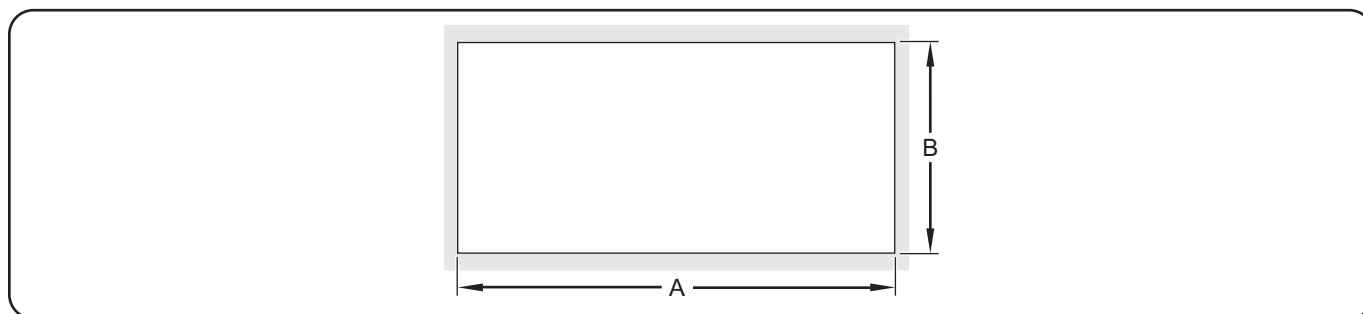
Dimensions des emplacements d'orifices de passage de vis et de découpe pour le panneau de commande

NOTA: Veuillez à ce que la largeur de la découpe du panneau de contrôle n'excède pas la dimension ci-dessus.

## Dimensions de découpe du comptoir

Modèle	Largeur (A)	Profondeur (B)
FTBR-3/4 e FTBX-3/4	419–433 mm (16-1/2"–17-1/16")	494–511 mm (19-7/16"–20-1/8")
FTBR-1 e FTBX-1	697–711 mm (27-7/16"–28")	494–511 mm (19-7/16"–20-1/8")
FTBR-2 e FTBX-2	949–965 mm (37-3/8"–38")	694–711 mm (27-5/16"–28")

Modèle	Largeur (A)	Profondeur (B)
FTBR-3 e FTBX-3	1406–1422 mm (55-3/8"–56")	694–711 mm (27-5/16"–28")
FTBR-S2 e FTBX-S2	1354–1372 mm (53-5/16"–54")	494–511 mm (19-7/16"–20-1/8")
FTBR-S3 e FTBX-S3	2011–2029 mm (79-3/16"–79-7/8")	494–511 mm (19-7/16"–20-1/8")



Dimensions de découpe du comptoir pour séries FTBR, FTBX, FTBR-S, e FTBX-S

## Généralités

Suivez les procédures suivantes pour mettre en marche un plan réfrigéré de libre-service contrôlé à distance.

### AVERTISSEMENT


Lire tous les messages de sécurité de la section Consignes de sécurité importantes avant d'utiliser ce matériel.

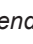
Assurez-vous que les aliments ont été correctement réfrigérés à une température appropriée avant de les placer dans l'appareil. Maintenir des aliments à une température inappropriée peut entraîner des risques graves pour la santé. Cet appareil est uniquement destiné à maintenir frais des aliments préalablement réfrigérés.

### NOTICE


L'appareil est conçu pour être utilisé dans des environnements où la température ambiante se situe entre 18°C (65°F) et 30°C (86°F).

En cas d'expédition en hiver, stocker l'appareil dans un environnement à température ambiante adéquate pendant 10 heures afin d'éviter d'endommager le compresseur et/ou le circuit frigorifique. Si l'appareil est allumé et que vous constatez une vibration et des bruits excessifs, éteignez-le immédiatement et laissez-le chauffer un peu plus longtemps.

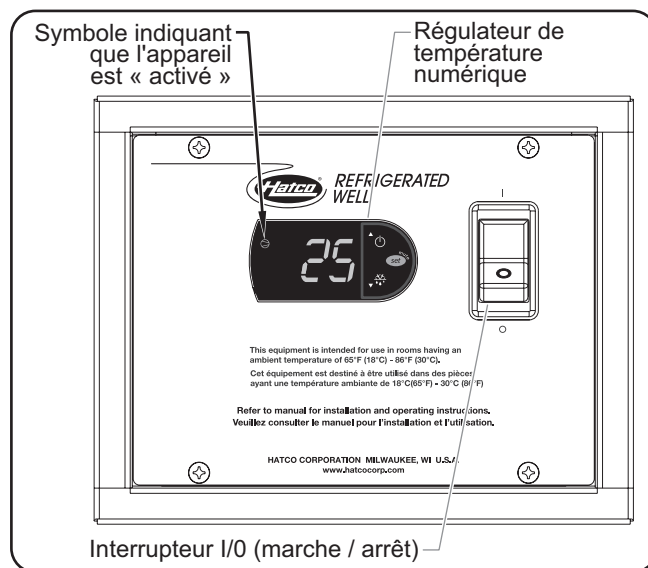
*NOTA: Si « OFF » clignote sur l'écran puis la température actuelle, maintenez le bouton  enfoncé pendant trois secondes. « OFF » ne clignote plus sur l'écran.*

*Si « df » clignote sur l'écran puis la température actuelle, maintenez le bouton  enfoncé pendant trois secondes. « df » ne clignote plus sur l'écran.*

### Allumage

- Placez l'interrupteur I/O (marche/arrêt) sur la position « I » (marche) (l'interrupteur se trouve sur le panneau de contrôle).
  - Le régulateur de température numérique va être activé et la mention « ON » (marche) va s'afficher sur l'écran, ainsi que la température actuelle de l'appareil.
  - Le symbole  va apparaître sur l'écran, indiquant que le groupe compresseur-condenseur est activé et refroidit la cuve.

*NOTA: Cet appareil est pré-réglé à la sortie de l'usine à une température nominale de -4°C (25°F). Si les conditions ambiantes nécessitent un réglage de la température nominale, reportez-vous à la partie « Modifier la température nominale » dans cette section.*



Panneau de contrôle des séries FTB

- Attendez 30 minutes, le temps pour l'appareil d'atteindre la température nominale, avant d'y placer les produits pré-réfrigérés.
- Vérifiez sur l'écran que l'appareil a bien atteint la température nominale appropriée et placez les plateaux qui contiennent les produits pré-réfrigérés sur le plan.
  - Utilisez toujours un bac alimentaire. Ne placez pas les aliments directement dans le plan.
  - Remuez fréquemment les aliments plus consistants afin de répartir le froid de manière uniforme.

### AVERTISSEMENT

Hatco Corporation n'est pas responsable de la température réelle à laquelle les aliments sont servis. Il est de la responsabilité de l'utilisateur de s'assurer que la nourriture est conservée et servie à une température sans danger.

### Arrêt

- Réglez l'interrupteur I/O (marche / arrêt) en position « O » (arrêt). Le régulateur de température numérique et le groupe compresseur-condenseur vont s'éteindre.
- Effectuez la procédure de « nettoyage quotidien » décrite dans la section Maintenance de ce manuel.

### AVIS

Nettoyez l'unité quotidiennement pour éviter les dysfonctionnements et assurer un fonctionnement sain.

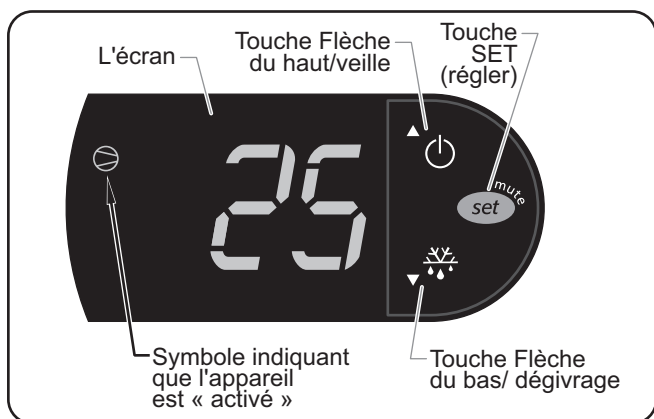
*NOTA: Si vous utilisez une bassine pour récupérer l'eau sous le raccord de drain, assurez-vous qu'elle est vidée régulièrement pour éviter qu'elle ne déborde.*

## Modifier la température nominale

Suivez la procédure suivante pour modifier la température nominale sur le régulateur de température numérique.

*NOTA: La température nominale doit être modifiée progressivement (de 1 ou 2 degrés). Attendez au minimum deux heures après un changement de température avant de vérifier le résultat.*

1. Appuyez pendant une seconde sur la touche **set** jusqu'à ce que la température nominale actuelle clignote sur l'écran.
2. Appuyez sur la touche  $\uparrow$  ou  $\downarrow$  pour augmenter ou baisser la température nominale. Si vous n'appuyez sur aucune touche dans les 60 secondes, l'écran reprendra son fonctionnement normal et la température actuelle de l'appareil s'affichera sur l'écran.
3. Appuyez sur la touche **set** pour enregistrer la nouvelle température nominale. L'écran va revenir à l'affichage de la température actuelle de l'appareil.



Régulateur de température numérique

*NOTA: Si « OFF » clignote sur l'écran puis la température actuelle, maintenez le bouton  $\uparrow$  enfoncé pendant trois secondes. « OFF » ne clignote plus sur l'écran.*

*Si « df » clignote sur l'écran puis la température actuelle, maintenez le bouton  $\downarrow$  enfoncé pendant trois secondes. « df » ne clignote plus sur l'écran.*

## Programmer le cycle de dégivrage automatique

Réfrigéré de libre-service sont programmées à l'usine de manière à ce que le cycle de dégivrage automatique soit désactivé. Suivez la procédure suivante pour activer le ou les cycle, si les conditions ambiantes ou de fonctionnement nécessitent un dégivrage occasionnel de l'appareil. Quand un appareil entre dans un cycle de dégivrage, le symbole  $\downarrow$  apparaîtra sur l'écran.

1. Appuyez sur la touche **set** pendant trois secondes pour accéder au mode de programmation. La mention « PS » (mot de passe) va s'afficher sur l'écran.
2. Appuyez à nouveau sur la touche **set**. Un chiffre va s'afficher sur l'écran.
3. Appuyez sur la touche  $\uparrow$  ou  $\downarrow$  jusqu'à ce que le chiffre « 22 » s'affiche sur l'écran, puis appuyez sur la touche **set**.

4. Utilisez la touche  $\uparrow$  ou  $\downarrow$  pour faire défiler les paramètres de programmation jusqu'à ce que la mention « dl » (intervalle de dégivrage) s'affiche sur l'écran.

5. Appuyez sur la touche **set** et sélectionnez « dl ». Le nombre de cycles de dégivrage actuel s'affichera sur l'écran. Pour la première mise en service de l'appareil, ce nombre sera « 0 ».

6. Appuyez sur la touche  $\uparrow$  ou  $\downarrow$  dans les 60 secondes pour faire défiler le nombre d'heures souhaité entre chaque cycle de dégivrage. Voici ci-dessous quelques exemples de fonctionnement du ou des cycle(s) de dégivrage :

« 0 » = le dégivrage automatique est désactivé

« 1 » = l'appareil effectuera un dégivrage toutes les heures

« 4 » = l'appareil effectuera un dégivrage toutes les quatre heures

« 12 » = l'appareil effectuera un dégivrage toutes les douze heures

Si vous n'appuyez sur aucune touche dans les 60 secondes, l'écran reprendra son fonctionnement normal et la température actuelle de l'appareil s'affichera sur l'écran.

7. Appuyez sur la touche **set** pour enregistrer le nouveau réglage du cycle de dégivrage.
8. Appuyez sur la touche **set** pendant trois secondes pour quitter le mode de programmation. L'écran va revenir à l'affichage de la température actuelle de l'appareil.

## Alternance entre l'affichage Fahrenheit et Celsius

Utilisez la procédure ci-après pour alterner entre l'affichage Fahrenheit et Celsius.

1. Maintenez le bouton **set** enfoncé pendant trois secondes pour accéder au mode de programmation. La mention « PS » (mot de passe) va s'afficher sur l'écran.
2. Appuyez sur le bouton **set** une nouvelle fois. Un chiffre va s'afficher sur l'écran.
3. Appuyez sur le bouton  $\uparrow$  ou  $\downarrow$  jusqu'à ce que le chiffre « 22 » s'affiche à l'écran, puis appuyez sur le **set** bouton.
4. Utilisez le bouton  $\uparrow$  ou  $\downarrow$  pour faire défiler les paramètres de programmation jusqu'à ce que  $\frac{F}{C}$  s'affiche à l'écran.

5. Appuyez sur le bouton **set** pour sélectionner  $\frac{F}{C}$ .

6. Appuyez sur le bouton  $\uparrow$  ou  $\downarrow$  dans les 60 secondes pour atteindre le paramètre souhaité. Voici ci-dessous le paramètre correct :

« 0 » = Affichage en Celsius

« 1 » = Affichage en Fahrenheit

Si vous n'appuyez sur aucune touche dans les 60 secondes, l'écran reprendra son fonctionnement normal et la température actuelle de l'appareil s'affichera sur l'écran.

7. Appuyez sur le bouton **set** pour enregistrer le nouveau réglage.
8. Maintenez le bouton **set** enfoncé pendant trois secondes pour quitter le mode de programmation. L'écran va revenir à l'affichage de la température actuelle de l'appareil.

## Généralités

Les plans réfrigérés de libre-service contrôlés à distance Hatco sont conçus pour une durabilité et une performance maximum, avec un minimum d'entretien.

### ⚠ AVERTISSEMENT

#### DANGER DE DÉCHARGE ÉLECTRIQUE :

- Mettez l'unité hors tension depuis l'interrupteur et débranchez le cordon d'alimentation avant d'effectuer tout nettoyage, tout réglage ou tout entretien.
- **NE PAS immerger l'appareil ni le saturer d'eau. L'appareil n'est pas étanche à l'eau. Ne pas le faire fonctionner s'il a été immergé ou saturé d'eau.**
- Cet appareil n'est pas étanche aux jets. Ne pas utiliser de jet sous pression pour nettoyer l'appareil.
- Ne nettoyez pas l'appareil à la vapeur et n'utilisez pas de l'eau en quantité excessive.
- La réparation de cet appareil doit être confiée exclusivement à du personnel qualifié. Les réparations par des personnes non qualifiées peuvent provoquer des décharges électriques et des brûlures.

**DANGER D'INCENDIE:** N'utilisez pas des solutions nettoyantes inflammables pour nettoyer cet appareil.

Cet appareil ne contient aucune pièce réparable par l'utilisateur. Si cet appareil doit être réparé, contacter un réparateur Hatco agréé ou le Service après-vente Hatco au 800-558-0607 ou 414-671-6350.

### AVIS

Nettoyez l'unité quotidiennement pour éviter les dysfonctionnements et assurer un fonctionnement sain.

Utiliser uniquement des produits nettoyants non abrasifs. Les produits nettoyants abrasifs peuvent rayer la finition de l'appareil, ce qui altère son apparence et le rend plus susceptible d'accumuler la saleté.

N'utilisez pas de paille de fer pour le nettoyage. La paille de fer raye les finitions.

L'utilisation de produits chimiques agressifs tels que l'eau de javel, les produits nettoyants contenant de la javel, ou les produits de nettoyage pour les fours sont proscrits pour nettoyer l'appareil.

## Nettoyage quotidien

1. Réglez l'interrupteur d'alimentation I/O (marche / arrêt) en position « O » (arrêt) et attendez que l'appareil dégivre.

**NOTA:** Si vous utilisez une bassine pour récupérer l'eau sous le raccord de drain, assurez-vous qu'elle est vidée régulièrement pour éviter qu'elle ne déborde.

2. Retirez et lavez les plateaux.
3. Nettoyez le plan à l'aide d'un chiffon ou d'une éponge humide et de détergent doux. Servez-vous d'une éponge à récurer en plastique pour retirer toute particule solide de nourriture ou dépôt de minéraux.
4. Nettoyez le plan avec un chiffon doux et désinfecté pour retirer les restes de détergent. Continuez jusqu'à ce que toute trace de détergent soit retirée et que le plan soit propre.

5. Essuyez l'extérieur des panneaux de ventilation situés au niveau de l'emplacement d'installation du groupe compresseur-condenseur.

6. Séchez l'ensemble de l'appareil et les panneaux de ventilation en les essuyant avec un chiffon propre non abrasif.

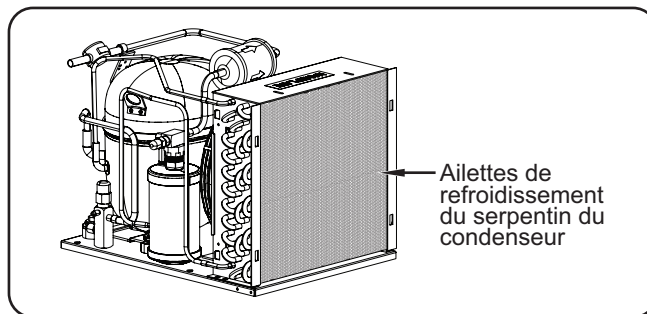
## Nettoyage mensuel

### (Modèles FTBR uniquement)

Effectuez les procédures suivantes mensuellement pour maintenir un fonctionnement efficace et correct du plan réfrigéré de libre service ainsi que pour éviter les pannes.

1. Retirez et nettoyez les deux côtés des panneaux à persiennes ou à grille installés sur les ouvertures de ventilation. La saleté et la poussière accumulée dans les panneaux peut restreindre la circulation d'air dans le groupe compresseur-condenseur et provoquer une surchauffe.
2. Nettoyez les ailettes de refroidissement du serpentin du condenseur. La saleté, la poussière et les peluches accumulées dans les ailettes de refroidissement empêcheront un refroidissement correct du système de réfrigération et du liquide frigorigène. Cette accumulation provoquera un fonctionnement inefficace et peut entraîner une panne de l'appareil. Utilisez les méthodes suivantes pour nettoyer les ailettes de refroidissement du serpentin du condenseur :

- Aspirez les ailettes de refroidissement.
- Brossez les ailettes de refroidissement verticalement à l'aide d'une brosse pour serpentin de condenseur. **AVIS : Brossez les ailettes de refroidissement avec précaution, elles sont délicates et peuvent se plier facilement. N'utilisez PAS de brosse métallique.**



Ailettes de refroidissement du serpentin du condenseur



**NOTA:** La fréquence des nettoyages conseillée est d'une fois par mois ; mais en fonction des conditions du lieu d'installation, il est possible que la procédure de nettoyage ait besoin d'être réalisée plus ou moins souvent. Surveillez le niveau de saleté, poussière et peluches accumulés dans les panneaux et dans les ailettes de refroidissement, et réglez la fréquence des nettoyages si nécessaire.

## ⚠ AVERTISSEMENT

La réparation de cet appareil doit être confiée exclusivement à du personnel qualifié. Les réparations par des personnes non qualifiées peuvent provoquer des décharges électriques et des brûlures.

## ⚠ AVERTISSEMENT

**DANGER DE DÉCHARGE ÉLECTRIQUE:** Mettez l'unité hors tension depuis l'interrupteur et débranchez le cordon d'alimentation avant d'effectuer tout nettoyage, tout réglage ou tout entretien.

Symptômes	Causes Probables	Action Correctrice
L'appareil est trop froid.	Point de consigne de température trop bas.	Paramétrez une température nominale plus élevée. Reportez-vous à la procédure « Mode d'emploi » de cette section.
	Le régulateur de température numérique ne fonctionne pas correctement.	Contactez votre agent de maintenance agréé ou Hatco pour toute demande d'assistance.
L'appareil n'est pas suffisamment froid.	Les aliments n'ont pas été préalablement réfrigérés avant d'être placés dans l'appareil.	Ne placez que des aliments préalablement réfrigérés dans l'appareil.
	La température nominale est trop élevée.	Paramétrez une température nominale plus faible. Reportez-vous à la procédure « Mode d'emploi » de cette section.
	Le serpentin du condenseur et/ou les panneaux de ventilation sont bouchés.	Nettoyez le serpentin du condenseur et les panneaux de ventilation. Reportez-vous à la procédure « Nettoyage mensuel » de la section MAINTENANCE.
	Il y a trop de glace accumulée dans l'appareil.	Éteignez, dégivrez et nettoyez l'appareil. Activez un cycle de dégivrage automatique, si besoin (reportez-vous à la procédure dans la section MODE D'EMPLOI).
	Le régulateur de température numérique ne fonctionne pas correctement.	Contactez votre agent de maintenance agréé ou Hatco pour toute demande d'assistance.
	Le fluide frigorigène est faible ou fuit ou une panne interne est survenue dans le groupe compresseur-condenseur.	
« OFF » clignote sur l'écran de commande et l'appareil ne fonctionne pas.	L'appareil est en mode veille.	Maintenez le bouton  enfoncé pendant trois secondes. « OFF » ne clignote plus sur l'écran.
« df » clignote sur l'écran de commande et l'appareil ne fonctionne pas.	L'appareil est en mode dégivrage.	Maintenez le bouton  enfoncé pendant trois secondes. « df » ne clignote plus sur l'écran.
L'appareil est branché, mais ne fonctionne pas.	L'appareil est éteint.	Allumez l'appareil.
	Le disjoncteur s'est déclenché.	Redémarrez le coupe-circuit. Si le coupe-circuit continue de disjoncter, contactez un agent de service agréé ou Hatco pour obtenir une assistance.
	Le régulateur de température numérique ne fonctionne pas correctement.	Contactez votre agent de maintenance agréé ou Hatco pour toute demande d'assistance.
	Le groupe compresseur-condenseur surchauffe.	
	Une panne interne est survenue dans le groupe compresseur-condenseur.	

### **Vous avez des questions en ce qui concerne les pannes ?**

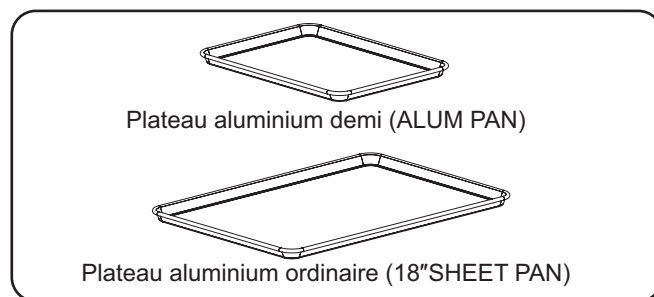
Si le problème persiste, veuillez contacter l'agence d'entretien agréée Hatco la plus proche ou Hatco pour obtenir une assistance. Pour trouver l'agence d'entretien la plus proche, rendez-vous sur le site Internet de Hatco ([www.hatcocorp.com](http://www.hatcocorp.com)) et sélectionnez le menu déroulant *Support (Assistance)*, puis cliquez sur « Find A Service Agent » (trouver un agent d'entretien); ou contactez l'équipe d'entretien et de pièces détachées de Hatco :

Numéro de téléphone: 800-558-0607 ou 414-671-6350 Courriel: [support@hatcocorp.com](mailto:support@hatcocorp.com)

## Bacs alimentaires

Les plateaux alimentaires en option existent dans différentes tailles.

- ALUM PAN**      Plateau aluminium demi —  
457L x 330P mm (18"L x 13"P)
- 18"SHEET PAN**      Plateau aluminium ordinaire —  
457L x 660P mm (18"L x 26"P)



Bacs alimentaires

## GARANTIE LIMITÉE

### 1. GARANTIE DU PRODUIT

Hatco garantit que les produits qu'il fabrique (les « Produits ») sont exempts de défauts de matériel et de fabrication, dans des conditions normales d'utilisation et de maintenance, pour une période d'un (1) an à partir de la date d'achat à condition que l'appareil soit installé et entretenu conformément aux instructions écrites de Hatco ou 18 mois après la date de l'expédition par Hatco. L'acheteur doit prouver la date d'achat du Produit par l'enregistrement de ce dernier auprès de Hatco ou par d'autres moyens satisfaisants pour Hatco, à sa seule discrétion.

Hatco garantit que les composants du Produit suivants sont exempts de défauts de matériel et de fabrication à partir de la date d'achat (sous réserve des conditions précédentes) pour la ou les périodes de temps et en fonction des conditions listées ci-dessous :

- a) Garantie d'un (1) an pour les pièces et la main-d'œuvre PLUS un (1) an supplémentaire pour les pièces uniquement :**  
Éléments du grille-pain à convoyeur (enveloppe métallique)  
Éléments des tiroirs chauffants (enveloppe métallique)  
Tiroirs, roues et glissières des tiroirs chauffants  
Éléments des rampes chauffantes (enveloppe métallique)  
Éléments des vitrines chauffantes  
(enveloppe métallique, air chauffant)  
Éléments des armoires de stockage  
(enveloppe métallique, air chauffant)  
Éléments des compartiments chauffants —  
série HW et HWB (enveloppe métallique)
- b) Garantie de deux (2) ans pour les pièces et la main-d'œuvre :**  
Gammes à induction  
Réchauds à induction
- c) Garantie d'un (1) an pour les pièces et la main-d'œuvre PLUS quatre (4) ans pour les pièces uniquement :**  
Cuves 3CS et FR
- d) Garantie d'un (1) an pour les pièces et la main-d'œuvre PLUS neuf (9) ans pour les pièces uniquement :**  
Cuves des appareils de chauffage d'appoint électriques  
Cuves des appareils de chauffage d'appoint à gaz
- e) Garantie de quatre-vingt-dix (90) jours pour les pièces uniquement :**  
Pièces de rechange

LES GARANTIES PRÉCÉDENTES SONT EXCLUSIVES ET REMPLACENT TOUTES AUTRES GARANTIES, EXPRESSES OU IMPLICITES, COMPRENANT, MAIS NE SE LIMITANT PAS, À TOUTES GARANTIES IMPLICITES DE QUALITÉ MARCHANDE OU DE FINALITÉ PARTICULIÈRE OU TOUS BREVETS OU TOUTES AUTRES ATTEINTES AUX DROITS DE LA PROPRIÉTÉ INTELLECTUELLE. Sans restreindre la portée générale des énoncés précédents, CES GARANTIES NE COUVRENT PAS LES ÉLÉMENTS SUIVANTS : ampoules d'éclairage à incandescence enduites, lumières fluorescentes, ampoules de lampes chauffantes, ampoules d'éclairage à halogène enduites, ampoules de lampes chauffantes au xénon, tubes d'éclairage DEL, composants en verre et fusibles ; défaut de produit dans la cuve d'un appareil de chauffage d'appoint, dans un échangeur de chaleur à tubes à ailettes ou tout autre équipement de chauffage d'eau causé par la calcification, l'accumulation de sédiments, la réaction d'un produit chimique ou le gel ; ou une mauvaise utilisation, une manipulation ou une mauvaise application, une installation inappropriée du Produit ou l'utilisation d'une tension inappropriée.

### 2. LIMITES DES RECOURS ET DES DOMMAGES

La responsabilité de Hatco et la seule voie de recours de l'Acheteur prévues par les présentes seront limitées exclusivement, au gré de Hatco, à la réparation ou au remplacement à l'aide de pièces ou de Produits nouveaux ou remis à neuf par Hatco ou un centre de réparation agréé par Hatco (sauf si l'Acheteur se situe hors des États-Unis, du Canada, du Royaume-Uni ou de l'Australie, auquel cas la responsabilité de Hatco et la seule voie de recours de l'Acheteur seront limitées exclusivement au remplacement des pièces concernées par la garantie) à l'égard de toute revendication effectuée dans les délais de garantie applicables mentionnés ci-dessus. Hatco se réserve le droit d'accepter ou de rejeter toute réclamation en partie ou dans son intégralité. Dans le cadre de cette Garantie limitée, « remis à neuf » signifie une pièce ou un Produit dont les caractéristiques techniques d'origine ont été restaurées par Hatco ou un centre de réparation agréé par Hatco. Hatco n'acceptera aucun retour de Produits sans qu'il n'ait auparavant donné son accord écrit, et tous ces retours approuvés doivent être effectués aux seuls frais de l'Acheteur. HATCO NE SERA PAS TENU RESPONSABLE, DANS AUCUNE CIRCONSTANCE, DES DOMMAGES CONSÉCUTIFS OU INDIRECTS, COMPRENANT, MAIS NE SE LIMITANT PAS, AUX COÛTS DE MAIN-D'ŒUVRE OU PERTES DE PROFITS DUS À UNE UTILISATION OU À UNE IMPOSSIBILITÉ D'UTILISER LES PRODUITS OU DUS AU FAIT QUE LES PRODUITS ONT ÉTÉ INTÉGRÉS DANS OU QU'ILS SONT DEVENUS UN COMPOSANT DE TOUT AUTRE PRODUIT OU BIEN.

# AUTHORIZED PARTS DISTRIBUTORS • AUTORISÉS DISTRIBUTEURS DE PIÈCES

## ALABAMA

Jones McLeod Appl. Svc.  
Birmingham 205-251-0159

## ARIZONA

Tech 24  
Phoenix 602-234-2443

Byassee Equipment Co.  
Phoenix 602-252-0402

## CALIFORNIA

Industrial Electric  
Commercial Parts & Service, Inc.  
Huntington Beach 714-379-7100

Chapman Appl. Service  
San Diego 619-298-7106

P & D Appliance  
Commercial Parts & Service, Inc.  
S. San Francisco 650-635-1900

## COLORADO

Hawkins Commercial Appliance  
Englewood 303-781-5548

## FLORIDA

Whaley Foodservice Repair  
Jacksonville 904-725-7800

Whaley Foodservice Repair  
Orlando 407-757-0851

B.G.S.I./Heritage  
Pompano Beach 954-971-0456

Comm. Appliance Service  
Tampa 813-663-0313

## GEORGIA

Heritage Service Group  
Norcross 866-388-9837

## HAWAII

Burney's Comm. Service, Inc.  
Honolulu 808-848-1466

Food Equip Parts & Service  
Honolulu 808-847-4871

## ILLINOIS

Parts Town  
Addison 708-865-7278

Eichenauer Elec. Service  
Decatur 217-429-4229

Midwest Elec. Appl. Service  
Elmhurst 630-279-8000

Cone's Repair Service  
Moline 309-797-5323

## IOWA

Goodwin Tucker Group  
Des Moines 515-262-9308

## KENTUCKY

Tech 24  
Lexington 859-254-8854

Tech 24  
Louisville 502-451-5411

## LOUISIANA

Chandlers Parts & Service  
Baton Rouge 225-272-6620

## MARYLAND

Electric Motor Service  
Baltimore 410-467-8080

## MASSACHUSETTS

Ace Service Co., Inc.  
Needham 781-449-4220

## MICHIGAN

Bildons Appliance Service  
Detroit 248-478-3320

Commercial Kitchen Service  
Bay City 989-893-4561

Midwest Food Equip. Service  
Grandville 616-261-2000

## MISSOURI

General Parts  
Kansas City 816-421-5400

Commercial Kitchen Services  
St. Louis 314-890-0700

Kaemmerlen Parts & Service  
St. Louis 314-535-2222

## NEBRASKA

Anderson Electric  
Omaha 402-341-1414

## NEVADA

Burney's Commercial  
Las Vegas 702-736-0006

Hi. Tech Commercial Service  
N. Las Vegas 702-649-4616

## NEW JERSEY

Jay Hill Repair  
Fairfield 973-575-9145

Service Plus  
Flanders 973-691-6300

## NEW YORK

Alpro Service Co.  
Maspeth 718-386-2515

Duffy's - AIS  
Buffalo 716-884-7425

3Wire  
Plattsburgh 800-634-5005

Duffy's - AIS  
Sauquoit 800-836-1014

J.B. Brady, Inc.  
Syracuse 315-422-9271

## NORTH CAROLINA

Authorized Appliance  
Charlotte 704-377-4501

## OHIO

Akron/Canton Comm. Svc. Inc.  
Akron 330-753-6634

Tech 24  
Cincinnati 513-772-6600

Commercial Parts and Service  
Columbus 614-221-0057

Electrical Appl. Repair Service  
Brooklyn Heights 216-459-8700

E. A. Wichman Co.  
Toledo 419-385-9121

## OKLAHOMA

Hagar Rest. Service, Inc.  
Oklahoma City 405-235-2184

## OREGON

General Parts Group  
Portland 503-624-0890

## PENNSYLVANIA

Elmer Schultz Services  
Philadelphia 215-627-5401

FAST Comm. Appl. Service  
Philadelphia 215-288-4800

AIS Commercial Parts and Service  
Pittsburgh 412-809-0244

K & D Service Co.  
Harrisburg 717-236-9039

Electric Repair Co.  
Reading 610-376-5444

## RHODE ISLAND

Marshall Electric Co.  
Providence 401-331-1163

## SOUTH CAROLINA

Whaley Foodservice Repair  
Lexington 803-996-9900

## TENNESSEE

Camp Electric  
Memphis 901-527-7543

## TEXAS

Armstrong Repair Service  
Houston 713-666-7100

Cooking Equipment Specialist  
Mesquite 972-686-6666

Commercial Kitchen Repair Co.  
San Antonio 210-735-2811

## UTAH

La Monica's Rest. Equip. Service  
Murray 801-263-3221

## VIRGINIA

Daubers  
Norfolk 757-855-4097

Daubers  
Springfield 703-866-3600

## WASHINGTON

3Wire  
Seattle 800-207-3146

## WISCONSIN

A.S.C., Inc.  
Madison 608-246-3160

A.S.C., Inc.  
Milwaukee 414-543-6460

## CANADA

### ALBERTA

Key Food Equipment Service  
Edmonton 780-438-1690

### BRITISH COLUMBIA

Key Food Equipment Service  
Vancouver 604-433-4484

Key Food Equipment Service  
Victoria 250-920-4888

### MANITOBA

Air Rite, Inc.  
Winnipeg 204-895-2300

### NEW BRUNSWICK

EMR Services, Ltd.  
Moncton 506-855-4228

### ONTARIO

R.G. Henderson Ltd.  
Toronto 416-422-5580

Choquette - CKS, Inc.  
Ottawa 613-739-8458

### QUÉBEC

Choquette - CKS, Inc.  
Montreal 514-722-2000

Choquette - CKS, Inc.  
Québec City 418-681-3944

## UNITED KINGDOM

Marren Group  
Northants +44(0)1933 665313

**HATCO CORPORATION**  
P.O. Box 340500  
Milwaukee, WI 53234-0500 U.S.A.  
800-558-0607 / 414-671-6350  
support@hatcocorp.com  
www.hatcocorp.com

**Register your unit online!**

See IMPORTANT OWNER INFORMATION  
section for details.

**S'inscrire en ligne!**

Lisez la section INFORMATIONS IMPORTANTES  
POUR LE PROPRIÉTAIRE pour plus de informations.