



Register Online!
(see page 2)

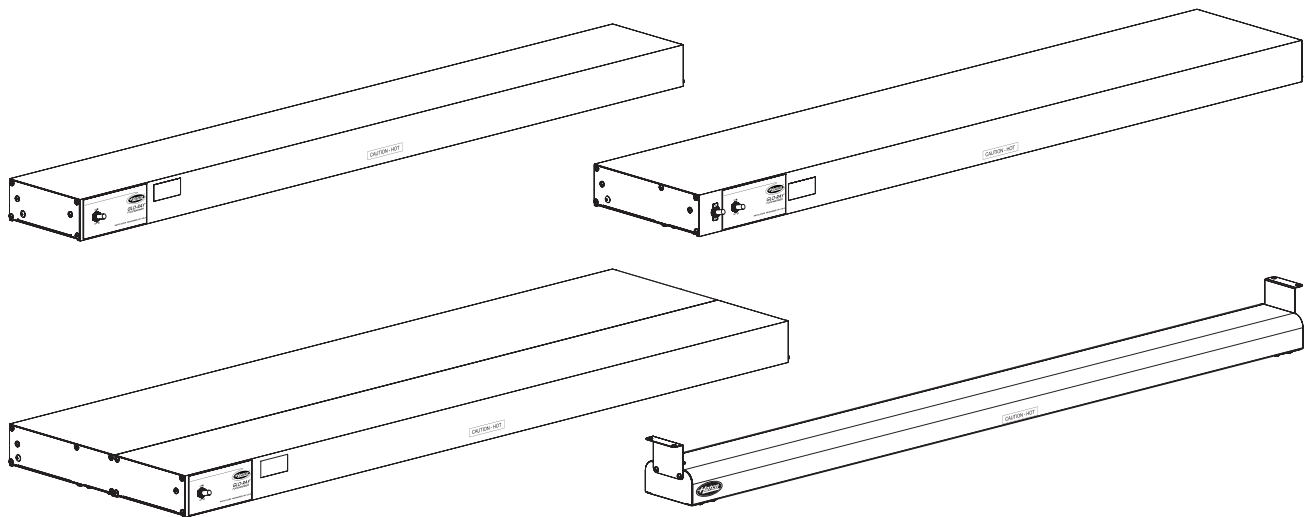
S'inscrire en ligne!
(voir page 20)



Glo-Ray®

Infrared Strip Heaters Rampes Chauffantes à Infrarouge GR, GRA, GRAL, GRN Series/Série

Installation and Operating Manual Manuel d'installation et d'utilisation



⚠ WARNING

Do not operate this equipment unless you have read and understood the contents of this manual! Failure to follow the instructions contained in this manual may result in serious injury or death. This manual contains important safety information concerning the maintenance, use, and operation of this product. If you're unable to understand the contents of this manual, please bring it to the attention of your supervisor. Keep this manual in a safe location for future reference.

English = p 2

⚠ ADVERTENCIA

No opere este equipo al menos que haya leído y comprendido el contenido de este manual! Cualquier falla en el seguimiento de las instrucciones contenidas en este manual puede resultar en un serio lesión o muerte. Este manual contiene importante información sobre seguridad concerniente al mantenimiento, uso y operación de este producto. Si usted no puede entender el contenido de este manual por favor pregunte a su supervisor. Almacenar este manual en una localización segura para la referencia futura.

⚠ AVERTISSEMENT

Ne pas utiliser cet équipement sans avoir lu et compris le contenu de ce manuel ! Le non-respect des instructions contenues dans ce manuel peut entraîner de graves blessures ou la mort. Ce manuel contient des informations importantes concernant l'entretien, l'utilisation et le fonctionnement de ce produit. Si vous ne comprenez pas le contenu de ce manuel, veuillez le signaler à votre supérieur. Conservez ce manuel dans un endroit sûr pour pouvoir vous y référer plus tard.

Français = p 20

Important Owner Information.....	2	Operation.....	14
Introduction.....	2	General.....	14
Important Safety Information.....	3	Maintenance.....	15
Model Description.....	4	General.....	15
Model Designation.....	4	Daily Cleaning.....	15
Specifications.....	5	Replacing Display Light Bulbs.....	15
Plug Configurations.....	5	Troubleshooting Guide.....	16
Dimensions.....	5	Options and Accessories.....	16
Installation.....	6	Limited Warranty.....	19
General.....	6	Authorized Parts Distributors.....	Back Cover
Recommended Mounting Heights.....	7		
Minimum Clearance Requirements.....	7		
Installing Portable Units.....	9		
Installing Chain Suspended Units.....	10		
Installing Permanent Units.....	10		
Electrical Information.....	12		

IMPORTANT OWNER INFORMATION

Record the model number, serial number, voltage, and purchase date of your strip heater in the spaces below (specification label located on the underside of the unit). Please have this information available when calling Hatco for service assistance.

Model No. _____

Serial No. _____

Voltage _____

Date of Purchase _____

Register your unit!

Completing online warranty registration will prevent delay in obtaining warranty coverage. Access the Hatco website at www.hatcocorp.com, select the *Support* pull-down menu, and click on "Warranty".

Business

Hours: 7:00 AM to 5:00 PM Monday–Friday,
Central Time (CT)
(Summer Hours — June to September:
7:00 AM to 5:00 PM Monday–Thursday
7:00 AM to 4:00 PM Friday)

Telephone: 414-671-6350

E-mail: support@hatcocorp.com



24 Hour 7 Day Parts and Service
Assistance available in the United States
and Canada by calling 414-671-6350.

Additional information can be found by visiting our web site at www.hatcocorp.com

INTRODUCTION

Hatco Glo-Ray® Infrared Strip Heaters ensure maximum food holding and minimize the risk of food-borne illness. Optimum safety and quality is the result of food held at the proper serving temperatures using Glo-Ray's pre-focused heat patterns. The pre-focused heat pattern prevents foods from being over-cooked in the middle and cooling off around the edges by concentrating higher temperatures to the outer edges of holding surfaces where heat loss is the greatest. Utilizing specially designed reflectors to direct the heat from the element, Glo-Ray Strip Heaters safely maintain peak serving temperatures longer without cooking the food beyond the point of excellence.

Glo-Ray Infrared Strip Heaters are available from the factory with or without shatter-resistant incandescent lights to illuminate the warming area. These bulbs have a special coating that guards against injury and food contamination in the event of breakage.

Glo-Ray Infrared Strip Heaters are a product of extensive research and field testing. The materials used were selected for maximum durability, attractive appearance, and optimum performance. Every unit is inspected and tested thoroughly prior to shipment.

This manual provides the installation, safety, and operating instructions for Glo-Ray Infrared Strip Heaters. Hatco recommends all installation, operating, and safety instructions appearing in this manual be read prior to installation or operation of a unit.

Safety information that appears in this manual is identified by the following signal word panels:



WARNING indicates a hazardous situation which, if not avoided, could result in death or serious injury.



CAUTION indicates a hazardous situation which, if not avoided, could result in minor or moderate injury.



NOTICE is used to address practices not related to personal injury.



Read the following important safety information before using this equipment to avoid serious injury or death and to avoid damage to equipment or property.

WARNING

ELECTRIC SHOCK HAZARD:

- Units supplied without an electrical plug require a hardwired connection to on-site electrical system. Connection must be properly grounded and of correct voltage, size, and configuration for electrical specifications of unit. Contact a qualified electrician to determine and perform proper electrical connection.
- Plug unit into a properly grounded electrical receptacle of the correct voltage, size, and plug configuration. If plug and receptacle do not match, contact a qualified electrician to determine and install proper voltage and size electrical receptacle.
- Turn OFF power switch, unplug power cord/turn off power at circuit breaker, and allow unit to cool before performing any cleaning, adjustments, or maintenance.
- DO NOT submerge or saturate with water. Unit is not waterproof. Do not operate if unit has been submerged or saturated with water.
- This unit is not “jet-proof” construction. Do not use jet-clean spray to clean this unit.
- Do not steam clean or use excessive water on unit.
- Discontinue use if power cord is frayed or worn.
- Do not attempt to repair or replace a damaged power cord. The cord must be replaced by Hatco, an Authorized Hatco Service Agent, or a person with similar qualifications.
- Use only Genuine Hatco Replacement Parts when service is required. Failure to use Genuine Hatco Replacement Parts will void all warranties and may subject operators of the equipment to hazardous electrical voltage, resulting in electrical **shock** or burn. Genuine Hatco Replacement Parts are specified to operate safely in the environments in which they are used. Some aftermarket or generic replacement parts do not have the characteristics that will allow them to operate safely in Hatco equipment.

FIRE HAZARD:

- Locate unit the correct distance from combustible walls and materials. If safe distances are not maintained, discoloration or combustion could occur. Refer to specific installation and mounting information in this manual for proper clearances.
- Make sure to follow the installation information listed below for specific strip heaters. If safe distances are not maintained, discoloration or combustion could occur.
 - a. Do not install standard wattage strip heaters (GR, GRA, GRN, GRAL Series) less than 10” (254 mm) above combustible surfaces.
 - b. Do not install high wattage strip heaters (GRH, GRAH, GRNH, GRAHL Series) less than 13-1/2” (343 mm) above combustible surfaces.
 - c. Do not install dual strip heaters (GRA-xxD, GRAH-xxD, GRAL-xxD, and GRAHL-xxD Series) above combustible surfaces.
 - d. Install all single strip heaters with a minimum distance of 3” (76 mm) from a combustible wall or adjacent surface.

WARNING

EXPLOSION HAZARD: Do not store or use gasoline or other flammable vapors or liquids in the vicinity of this or any other appliance.

Use only light bulbs that meet or exceed (National Sanitation Foundation (NSF) standards and are specifically designed for food holding areas. Breakage of light bulbs not specially coated could result in personal injury and/or food contamination.

This unit is not intended for use by children or persons with reduced physical, sensory, or mental capabilities. Ensure proper supervision of children and keep them away from the unit.

Make sure all operators have been instructed on the safe and proper use of the unit.

Make sure food product has been heated to the proper food-safe temperature before placing in unit. Failure to heat food product properly may result in serious health risks. This unit is for holding pre-heated food product only.

For installation with chains, make sure the chains have sufficient strength and are securely fastened to both the unit and the mounting location. Poorly installed chains may cause the unit to loosen and fall. Do not place anything on top of units installed with chains.

This unit has no “user-serviceable” parts. If service is required on this unit, contact an Authorized Hatco Service Agent or contact the Hatco Service Department at 414-671-6350.

CAUTION

BURN HAZARD: Some exterior surfaces on the unit will get hot. Use caution when touching these areas.

Standard and approved manufacturing oils may smoke up to 30 minutes during initial startup. This is a temporary condition. Operate unit without food product until smoke dissipates.

Strip heaters equipped with incandescent lights that require a circuit breaker larger than 20 amps for the heat element must have a separate circuit breaker for the incandescent lights that is 20 amps or less.

To ensure safe and proper operation, refer to the Clearance Requirements listed in the Installation section of this manual.

NOTICE

Installation of two or more separate units with less than 3” (76 mm) between housings may result in premature failure of component parts. Failure to provide proper spacing may result in heat damage to electrical components.

Units are voltage-specific. Refer to specification label for electrical requirements before beginning installation.

Do not add a decorative soffit to hide a pass-through mounted strip heater. Excessive heat can cause unit failure.

To prevent premature failure of components due to excessive heat, remote mounted control boxes and switches must be installed outside the strip heater heat zone.

NOTICE

Damage to any countertop material caused by heat generated from Hatco equipment is not covered under the Hatco® warranty. Contact the manufacturer of the countertop material for application information.

NOTICE

Use non-abrasive cleaners and cloths only. Abrasive cleaners and cloths could scratch the finish of the unit, marring its appearance and making it susceptible to soil accumulation.

MODEL DESCRIPTION

All Models

Hatco Glo-Ray® Infrared Strip Heaters keep hot foods at optimum serving temperatures longer. Foods do not dry out or become discolored; even the most delicate dishes hold that “just-prepared” look. The Glo-Ray pre-focused heat pattern directs heat from a tubular element to bathe the entire holding surface.

Glo-Ray strip heaters can be ordered in standard or high wattage configurations, stainless steel housings in lengths of 24”–96” (610 mm–2438 mm), aluminum housings in lengths of 18”–144” (457–3658 mm), or narrow design housings in lengths of 18”–72” (457–1829 mm).

All strip heaters have several mounting options and switch locations. Optional infinite control switches, remote control boxes, incandescent lighting, and sneeze guards are available also.

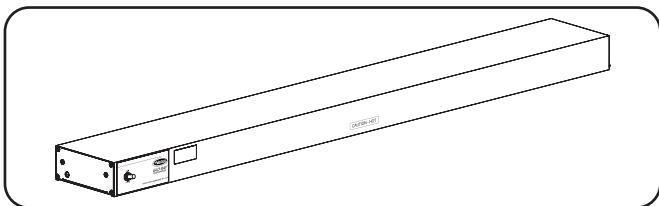
GR-xx and GRH-xx Models

Stainless steel models are available with or without incandescent lights

NOTE: Stainless steel strip heaters are not available with sneeze guards or as dual units.

GRA-xx, GRAH-xx, GRAL-xx, and GRAHL-xx Models

Aluminum, single element models are available either with or without incandescent lights or sneeze guards.

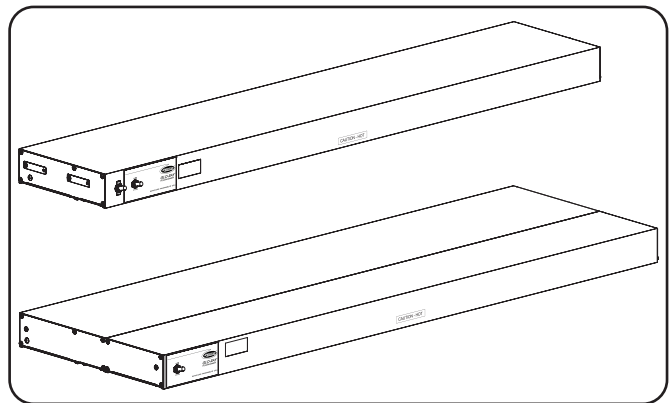


GRA-48 Model

GRA-xxD, GRAH-xxD, GRAL-xxD, and GRAHL-xxD Models

Dual models allow for side-by-side mounting of two or more strip heaters to provide a wider holding area. Dual models are constructed with a required 3” (76 mm) or 6” (152 mm) spacer between heating elements.

Aluminum, dual element models are available either with or without incandescent lights or sneeze guards.



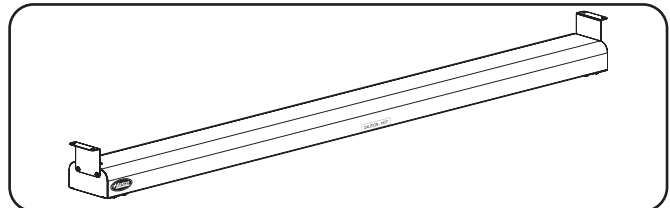
GRAHL-48 and GRAL-48D Models

NOTE: Incandescent lights and sneeze guards are not available for retrofit.

GRN-xx and GRNH-xx Models

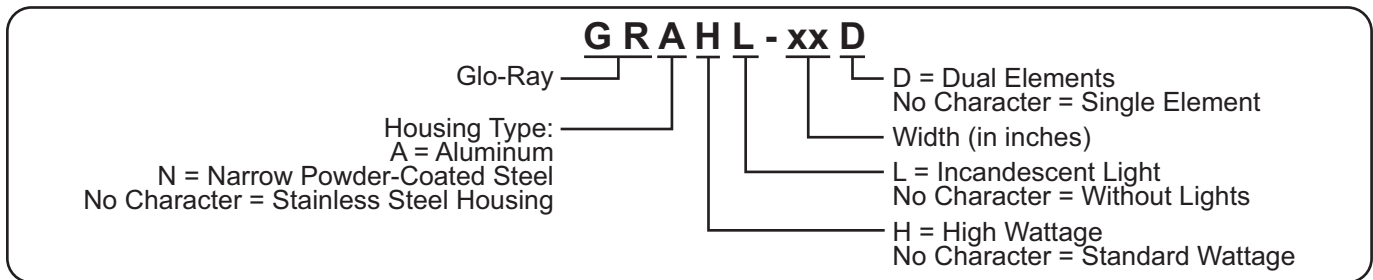
Narrow models are available in stainless steel or powdercoated steel in several Designer colors.

NOTE: Narrow design strip heaters are not available with lights, sneeze guards, or as dual units.



GRN-48 Model

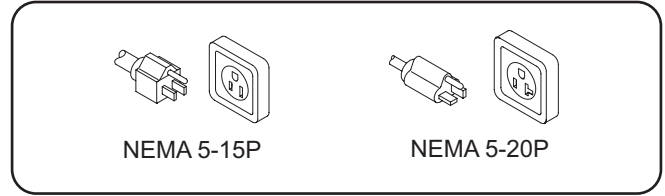
MODEL DESIGNATION



Plug Configurations

An attached 6' (1829 mm) cord and plug is available as a factory-installed option for certain units. These units must be 120 volt (V) models with built-in controls that are 72" (1829 mm) in width or less and mounted with a standard chain kit, C-leg stand, or T-leg stand.

NOTE: Cord and plug configurations are not available for units with lights.



Plug Configuration

NOTE: Receptacle not supplied by Hatco.

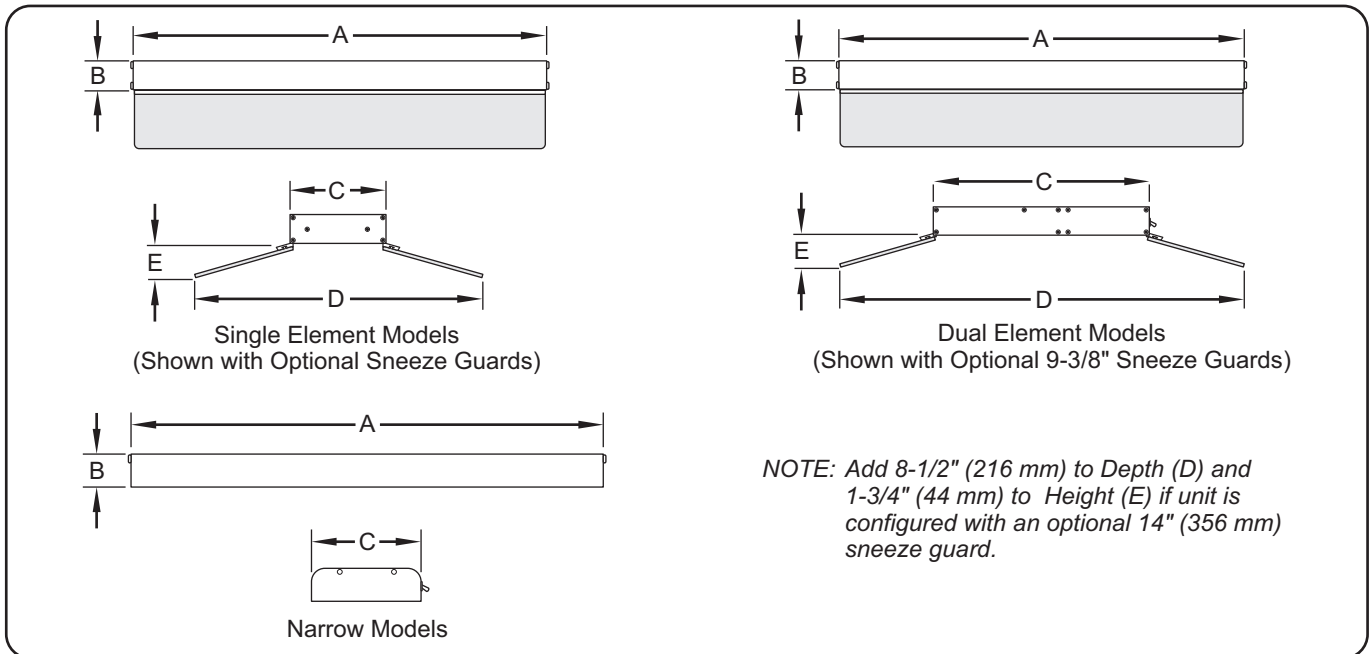
NOTE: Refer to the wiring diagram supplied with the unit and specification label attached to the unit for specific electrical information. Also, refer to the "Electrical Rating Charts" document on the Infrared Strip Heaters page of the Hatco website (www.hatcocorp.com).



ELECTRIC SHOCK HAZARD: Plug unit into a properly grounded electrical receptacle of the correct voltage, size, and plug configuration. If plug and receptacle do not match, contact a qualified electrician to determine and install proper voltage and size electrical receptacle.

Dimensions

Model	Width (A)	Height (B)	Depth (C)	Depth (D)	Height (E)
GR and GRH	18"-96" (457-2438 mm)	2-1/2" (63 mm)	6" (152 mm)	---	---
GRA and GRAH	18"-144" (457-3658 mm)	2-1/2" (63 mm)	6" (152 mm)	23" (584 mm)	4" (102 mm)
GRAL and GRAHL	18"-144" (457-3658 mm)	2-1/2" (63 mm)	9" (229 mm)	26" (660 mm)	4" (102 mm)
GRA-xxD, GRAH-xxD, GRAL-xxD, and GRAHL-xxD	18"-144" (457-3658 mm)	2-1/2" (63 mm)	3" spacer: 15" (381 mm) 6" spacer: 18" (457 mm)	3" spacer: 32" (813 mm) 6" spacer: 35" (889 mm)	4" (102 mm)
GRN and GRNH	18"-72" (457-1829 mm)	2" (51 mm)	4" (102 mm)	---	---



General

Use the information in this section to prepare for and install a Glo-Ray® Infrared Strip Heater. Make sure to locate the specific information in this section for the type of installation. Strip heaters are shipped with most components pre-assembled. Dual units are supplied with a required 3" (76 mm) or 6" (152 mm) spacer pre-assembled at the factory.

WARNING

FIRE HAZARD:

- **Locate the unit the correct distance from combustible walls and materials. If safe distances are not maintained, discoloration or combustion could occur. Refer to specific installation and mounting information in this manual for proper clearances.**
- **Make sure to follow the installation information listed below for specific strip heaters. If safe distances are not maintained, discoloration or combustion could occur.**
 - a. **Do not install standard wattage strip heaters (GR, GRA, GRN, GRAL Series) less than 10" (254 mm) above combustible surfaces.**
 - b. **Do not install high wattage strip heaters (GRH, GRAH, GRNH, GRAHL Series) less than 13-1/2" (343 mm) above combustible surfaces.**
 - c. **Do not install dual strip heaters (GRA-xxD, GRAH-xxD, GRAL-xxD, and GRAHL-xxD Series) above combustible surfaces.**
 - d. **Install all single strip heaters with a minimum distance of 3" (76 mm) from a combustible wall or adjacent surface.**

CAUTION

To ensure safe and proper operation, refer to the Clearance Requirements listed in the Installation section of this manual.

NOTICE

Units are voltage-specific. Refer to specification label for electrical requirements before beginning installation.

Do not add a decorative soffit to hide a pass-through mounted strip heater. Excessive heat can cause unit failure.

Damage to any countertop material caused by heat generated from Hatco equipment is not covered under the Hatco warranty. Contact the manufacturer of the countertop material for application information.

NOTE: Contact the manufacturer of the countertop base material for application information and surface temperature limits before installing the unit.

1. Remove the unit from the shipping carton and remove all packing materials.

NOTE: To prevent delay in obtaining warranty coverage, complete online warranty registration. See the IMPORTANT OWNER INFORMATION section for details.

2. Remove tape and protective packaging from all surfaces of the unit.

NOTE: If the unit is configured with optional equipment, see the OPTIONS AND ACCESSORIES section in this manual.

3. Install/mount the unit in an appropriate location.
 - a. Verify recommended mounting heights and minimum clearance requirements are met for the appropriate model. Refer to "Recommended Mounting Heights" and "Minimum Clearance Requirements" in this section.
 - b. For portable unit installation, refer to "Installing Portable Units" in this section.
 - c. For chain suspension installation, refer to "Installing Chain Suspended Units" in this section.
 - d. For permanent unit installation, refer to "Installing Permanent Units" in this section.

Dual Mounting

When mounting units side-by-side, a space not less than 3" (76 mm) must be maintained between units. Dual units ordered from the factory are shipped with a pre-assembled 3" (76 mm) or 6" (152 mm) spacer.

NOTE: Dual units are available with aluminum housings only.

NOTICE

Installation of two or more separate units with less than 3" (76 mm) between housings may result in premature failure of component parts. Failure to provide proper spacing may result in heat damage to electrical components.

Under Shelf Mounting

When mounting a unit under a shelf, use adjustable angle brackets to assure proper spacing. Remote control boxes are recommended to keep switches out of the heat zone and prevent premature failure.

Pass-Through

If a pass-through area is 12"–16" (305–406 mm) deep, a standard wattage or high wattage single unit can be used. For a 20"–24" (508–610 mm) deep pass-through area, a dual unit in either standard or high wattage is recommended. Installation of multiple units must have a minimum spacing of 3" (76 mm) between heaters.

T-Legs or C-Legs

Units must be 120 V and be equipped with a cord and plug. Do not mount units wider than 72" (1829 mm) on T-legs or C-legs.

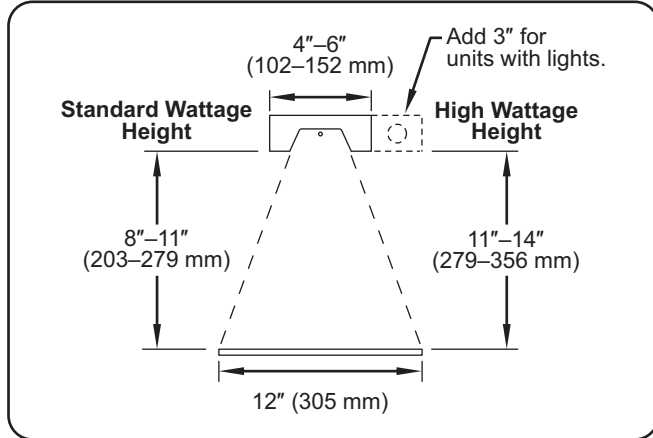
Over Steam Table

When mounting over a steam table, a remote control box must be installed.

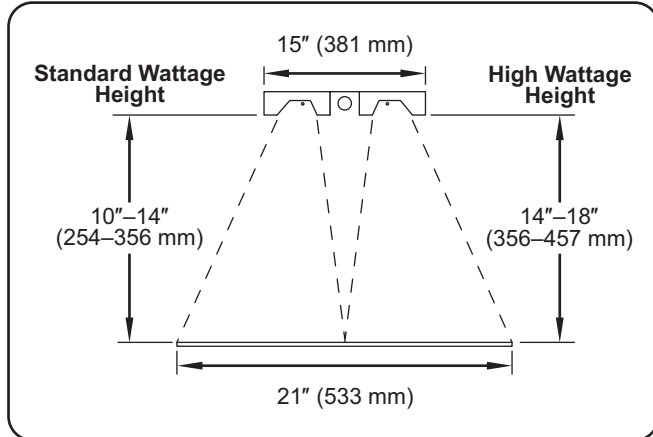
Recommended Mounting Heights

The recommended mounting heights are recommendations from Hatco® for proper food holding based on factory testing.

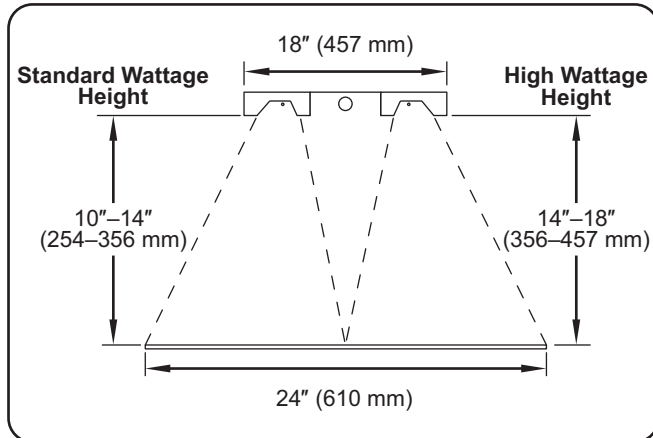
Make sure mounting height meets the minimum clearance requirements found in the “Minimum Clearance Requirements for Combustible Surroundings” or the “Minimum Clearance Requirements for Non-Combustible Surroundings” in this section.



Recommended Element Height for single element models in all lengths.



Recommended Element Height for dual element models with a 3" (76 mm) spacer in all lengths.



Recommended Element Height for dual element models with a 6" (152 mm) spacer in all lengths.

Minimum Clearance Requirements

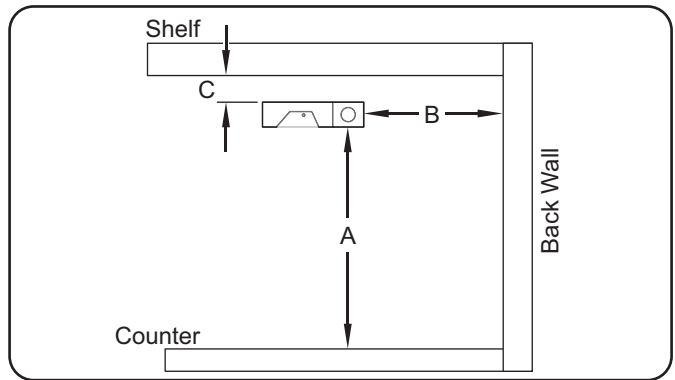
The minimum clearance requirements listed are for installation safety and must be followed accordingly for combustible and non-combustible surroundings.

Combustible Surroundings

The minimum clearance requirements for combustible surroundings is provided to prevent fire hazards, discoloration, and combustion.

Models	(A)	(B)	(C)
GR, GRA, GRAL, GRN	10" (254 mm)	3" (76 mm)	1" (25 mm)
GRH, GRAH, GRAHL, GRNH	13-1/2" (343 mm)	3" (76 mm)	1" (25 mm)

NOTE: Dual strip heaters cannot be installed in combustible surroundings.



Combustible Clearance Requirements

NOTE: The size of heat patterns vary depending on the height of the unit.

Non-Combustible Surroundings

The minimum clearance requirements for non-combustible surroundings is provided to prevent discoloration and combustion.

Corded Units with Built-In Switches

Models	(A)	(B)*	(C)
GR, GRA, GRAL	10" (254 mm)	---	3" (76 mm)
GRH, GRAH, GRAHL	11" (279 mm)	---	3" (76 mm)

Hardwired Units with Built-In Switches

Models	(A)	(B)*	(C)
GR, GRA, GRAL, GRN	8" (203 mm)	---	1" (25 mm)
GRH, GRAH, GRAHL with Infinite Control or Indicator Light	10" (254 mm)	---	1" (25 mm)
GRH, GRAH, GRAHL with Toggle Switch	8" (203 mm)	---	1" (25 mm)

Hardwired Units with Remote Switches

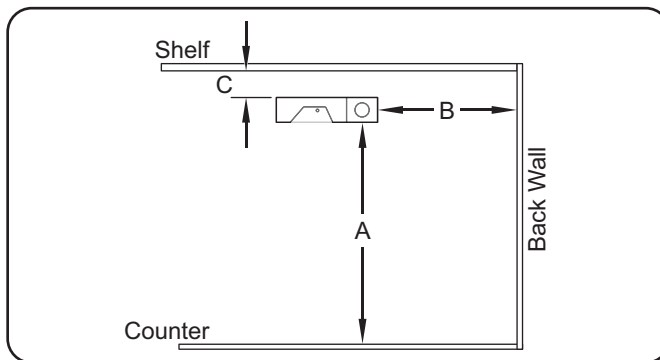
Models	(A)	(B)*	(C)
GR, GRA, GRAL, GRN	8" (203 mm)	0" (0 mm)	0" (0 mm)
GRH, GRAH, GRAHL, GRNH	8" (203 mm)	0" (0 mm)	0" (0 mm)

Dual Units with Built-In Switches

Models	(A)	(B)*	(C)
GRA-xxD GRAH-xxD GRAL-xxD GRAHL-xxD	10" (203 mm)	---	1" (25 mm)

Dual Units with Remote Switches

Models	(A)	(B)*	(C)
GRA-xxD GRAH-xxD GRAL-xxD GRAHL-xxD	8" (203 mm)	3" (76 mm)	0" (0 mm)



Non-Combustible Clearance Requirements

* Must be a pass-through application—not allowed with back wall installation.

Installing Portable Units

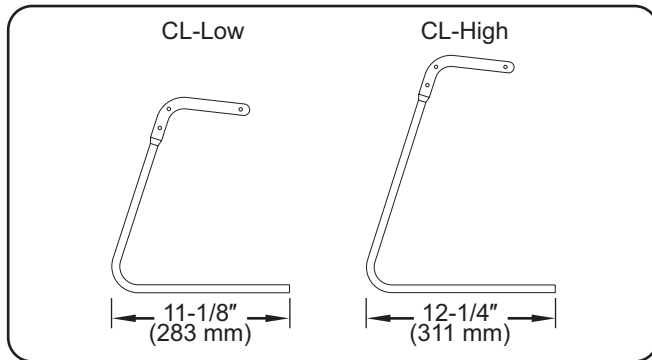
Single strip heaters under 72" (1829 mm) wide can be mounted on C-Leg or T-Leg stands for portable use. Portable units are available in 120 V only and are required to have a power cord and plug connection.

NOTE: C-Legs and T-Legs are not to be used with dual strip heater units.

C-Leg Stand Mounting

Two types of C-Legs are available.

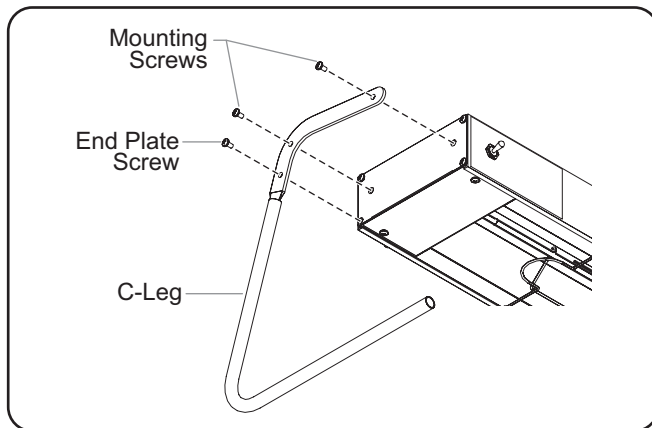
- CL-Low = 10" (254 mm) height, for standard wattage strip heaters up to 72" (1829 mm) in width only.
- CL-High = 13-1/2" (343 mm) height, for high wattage strip heaters up to 72" (1829 mm) in width only.



C-Leg Footprint Dimensions

Perform the following procedure to install a C-Leg stand on each end of the unit.

1. Position the unit upside-down on a flat surface.
2. Install sneeze guard(s), if applicable (refer to the OPTIONS AND ACCESSORIES section for details on installing a sneeze guard).
3. Remove the two mounting screws from the end plate.
4. Remove the one lower end plate screw that aligns with the lowest mounting hole on the C-Leg.
5. Align the three mounting holes on the C-Leg with the three holes on the unit. Secure the leg to the unit with the three screws removed in the previous steps.

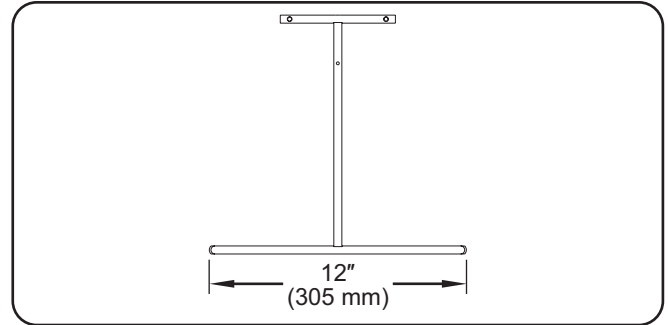


C-Leg Stand

T-Leg Stand Mounting

T-Leg stands are available in the following heights:

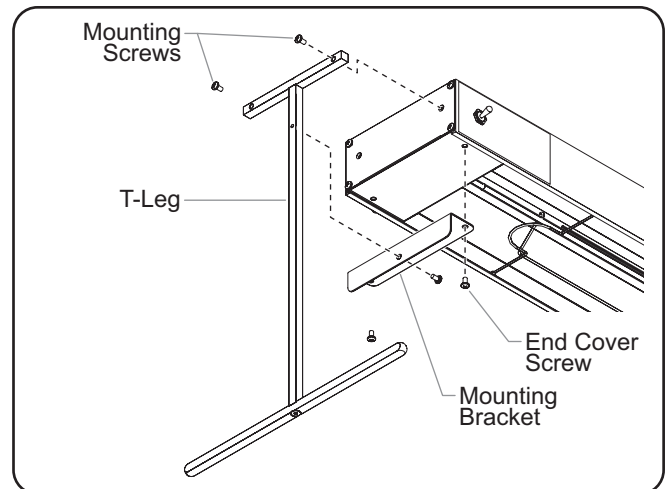
- Standard wattage units = 10" (254 mm)
- High wattage units = 13-1/2" (343 mm)
16" (406 mm)
18" (457 mm).



T-Leg Footprint Dimension

Perform the following procedure to install a T-Leg stand on each end of the unit.

1. Position the unit upside-down on a flat surface.
2. Install sneeze guard(s), if applicable (refer to the OPTIONS AND ACCESSORIES section for details on installing a sneeze guard).
3. Align the mounting bracket with the end cover on the underside of the unit, and remove the two screws from the end cover that match up with the holes on the mounting bracket.
4. Secure the mounting bracket to the unit with the two end cover screws.
5. Remove the two mounting screws from the end plate.
6. Align the two mounting holes on the small "T" of the T-Leg with the two mounting screw holes on the end plate. Secure the leg to the unit with the two previously removed mounting screws.
7. Align the single mounting hole on the vertical post of the T-Leg with the hole on the mounting bracket. Secure from the inside with the supplied screw.



T-Leg Stand Mounting

Installing Chain Suspended Units

Chain suspension mounting attaches a strip heater to an overhead surface with the use of hanger tabs and “S” hooks.

NOTE: Units ordered with the “S” hook option come with the appropriate number of hanger tabs, two “S” hooks, and two 6” (152 mm) pieces of connecting chain. Additional chain (P/N 05.03.020.00) can be ordered from Hatco® for the overhead mounting system or another option can be determined by a qualified installer.

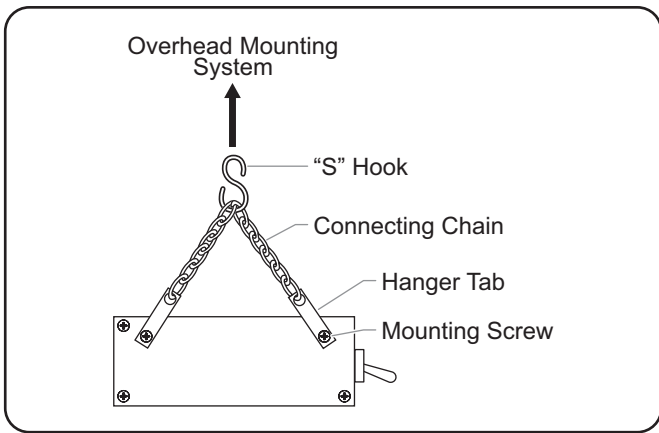


For installation with chains, make sure the chains have sufficient strength and are securely fastened to both the unit and the mounting location. Poorly installed chains may cause the unit to loosen and fall. Do not place anything on top of units installed with chains.

To ensure safe and proper operation, refer to the Clearance Requirements listed in the Installation section of this manual.

NOTE: The strength of the chain supplied by Hatco is sufficient to hold the weight of the unit securely only when mounted properly.

1. Prepare the overhead mounting system for the “S” hooks. Make sure the system is secure and is set up so the unit will be suspended at a level, safe, and proper distance from walls, counter, and food.
2. At each end of the unit:
 - a. Remove the two mounting screws from the end plate.
 - b. Secure a hanger tab to each mounting screw hole using the removed mounting screws.
4. Securely attach one of the 6” (152 mm) connecting chains between each pair of hanger tabs.
5. Attach an “S” hook to the center of each connecting chain.
6. Carefully lift the unit and attach the “S” hooks on each end of the unit to the overhead mounting system. Make sure the unit is level.



“S” Hook Mounting

Installing Permanent Units

Strip heaters can be mounted permanently with tubular stands or angle brackets. Permanent units are not available with a power cord and plug connection. Refer to the proper permanent mounting section for the installation procedure.

Tubular Stand Mounting

Tubular stand mounting permanently attaches the unit to a countertop or serving table. All wiring may be concealed within one of the tubular stands.



To ensure safe and proper operation, refer to the Clearance Requirements listed in the INSTALLATION section of this manual.

Non-adjustable tubular stands are available in aluminum, Designer colors, or gloss finishes in heights from 10”–16” (254–406 mm). Adjustable tubular stands are available in stainless steel in heights from 10”–14” (254–356 mm).

NOTE: Tubular stands are not field retrofittable.

NOTE: If wiring is to be concealed, a 1” (25 mm) diameter hole must be provided in the mounting surface under the stand containing the wiring conduit.

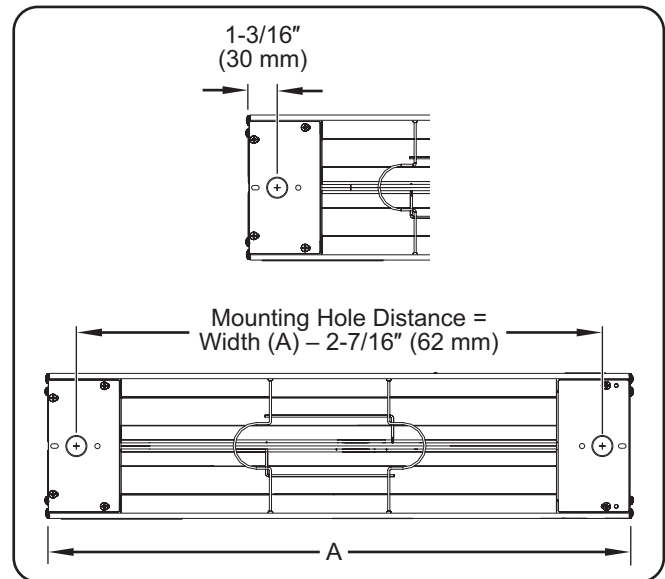
1. Position the unit upside-down on a flat surface.

NOTE: Units for this application are supplied with the conduit attached to one side of the unit. Conduit should not be removed.

2. If applicable, prepare the mounting surface for concealing wiring.
 - a. Cut a 1” (25 mm) diameter hole into the mounting surface at the appropriate location.

NOTE: The distance between the center of the two stands is found by subtracting 2-7/16” (62 mm) from the overall width of the strip heater.

- b. Route the flexible conduit through the tubular stand and into the mounting surface.

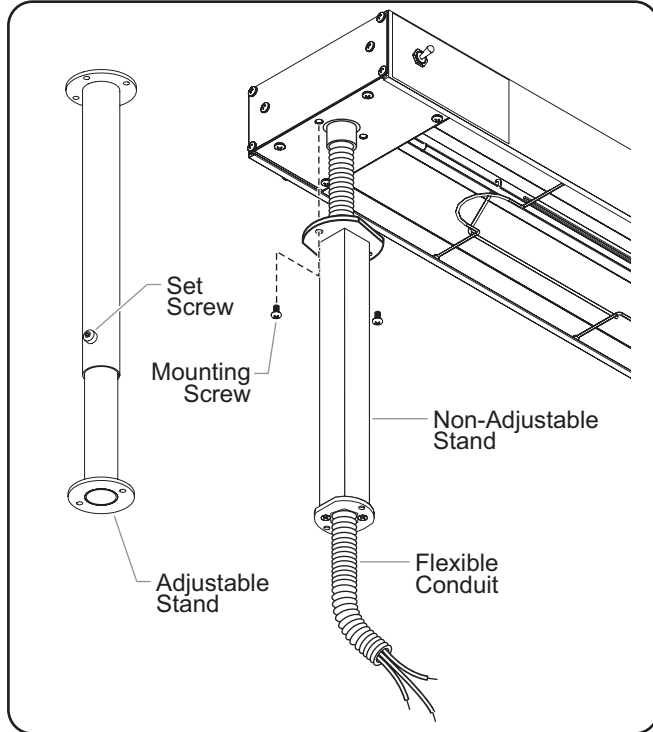


Countertop Conduit Hole Dimension

3. Secure the conduit-side stand to the unit using the screws supplied.
4. Align the opposite-side stand with the mounting holes at the other end of the unit and secure the stand to the unit using the screws supplied.
5. Secure the stands to the mounting surface.

NOTE: The adjustable stands can be raised or lowered by turning the locking set screw counterclockwise one turn with a hex wrench. After loosening the set screw, raise or lower the unit to the desired height and retighten the screw. Do not loosen the screw more than necessary.

NOTE: Two pairs of stands will be needed for mounting dual units.



Tubular Stand Mounting

Adjustable Angle Bracket Mounting

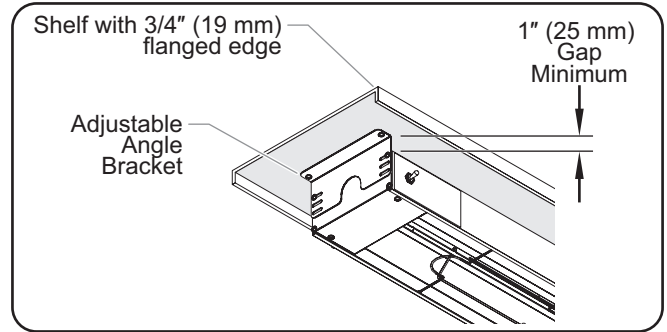
Mounting a strip heater with adjustable angle brackets permanently attaches the unit to the underside of a shelf. Units can be mounted to a flat shelf or a shelf with rolled/flanged edges. Adjustable angle brackets provide the necessary gap between the unit and a combustible shelf.



To ensure safe and proper operation, refer to the “Minimum Clearance Requirements” listed in the INSTALLATION section of this manual.

NOTE: When mounting the unit under a shelf, it is recommended to use remote-mounted control switches.

Use the optional adjustable angle brackets to mount the unit below the lowest part of the rolled or flanged edge of the shelf (a minimum gap of 1" [25 mm] is required between the unit and the underside of a rolled or flanged shelf to prevent heat damage to the electrical system of the unit).



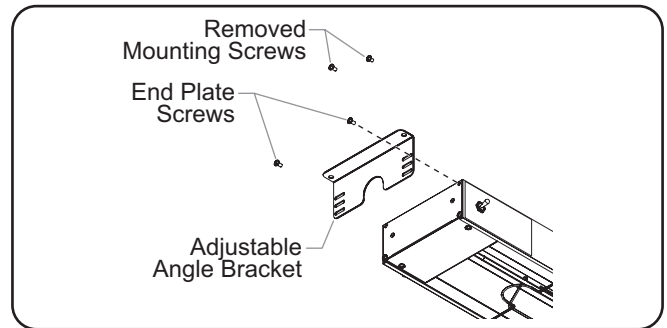
Flanged Edge Shelf Installation

NOTE: GRN Series units are supplied with matching Designer-colored angle brackets that provide 1-1/2" (38 mm) clearance between the unit and an oversheaf.

Adjustable Angle Bracket Mounting on Aluminum Models

Use the following procedure to install adjustable brackets on each end of aluminum housing models (GRA, GRAH, GRAL, and GRAHL).

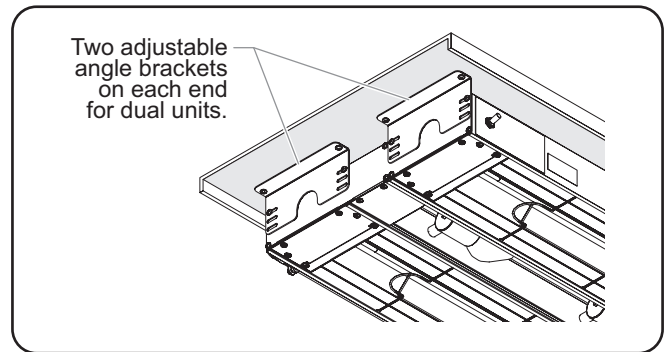
1. Position the unit on a flat surface with the heating element facing down.
2. Remove and discard the two mounting screws from the end plate.
3. Remove the two upper end plate screws.
4. Align the adjustable angle bracket with the end plate mounting holes on the unit. Secure the angle bracket with the previously removed end plate screws.



Aluminum Model Adjustable Angle Bracket Installation

5. Fasten the angle brackets to the underside of the shelf using appropriate fasteners (not supplied by Hatco).

NOTE: Two pairs of brackets will be needed for dual units.

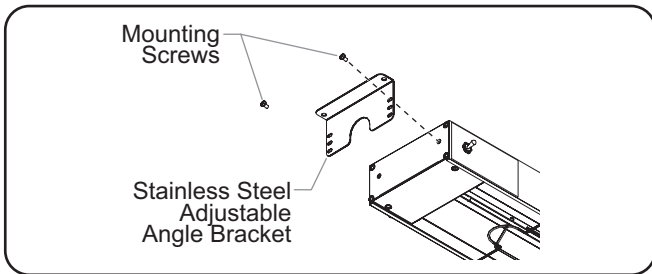


Dual Unit Mounting

Adjustable Angle Bracket Mounting on Stainless Steel Models

Use the following procedure to install adjustable angle brackets on each end of stainless steel housing models (GR and GRH models).

1. Position the unit on a flat surface with the heating element facing down.
2. Remove the two mounting screws from the end plate.
3. Align the adjustable angle bracket with the mounting screw holes on the unit.
4. Secure the angle bracket with the previously removed mounting screws.
5. Fasten the angle brackets to the underside of the shelf using appropriate fasteners (not supplied by Hatco).



Stainless Steel Model Adjustable Angle Bracket Installation

Electrical Information

Refer to the wiring diagram supplied with the unit and specification label attached to the unit for specific electrical information. Also, refer to the "Electrical Rating Charts" document on the Infrared Strip Heaters page of the Hatco website (www.hatcocorp.com).



ELECTRIC SHOCK HAZARD: For hardwired units, all electrical connections must be in accordance with local electrical codes and any other applicable codes. Connections should be made by a qualified, licensed electrician.



Strip heaters equipped with incandescent lights that require a circuit breaker larger than 20 amps for the heat element must have a separate circuit breaker for the incandescent lights that is 20 amps or less.

NOTE: If the unit being installed is not shown or listed in this manual, refer to the wiring diagram supplied with the unit and the installation information on the unit for further instructions.

Power Supply

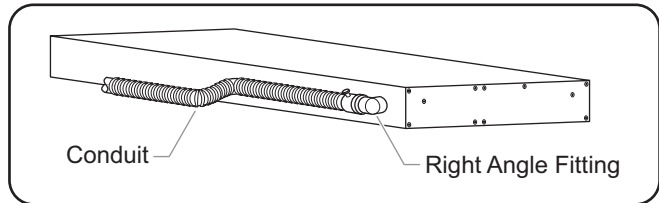
Install supply wire and connectors suitable for at least 194°F (90°C).

- Use a minimum of No. 14 AWG copper wire for individual circuits up to 15 amps.
- Use a minimum of No. 12 AWG copper wire for individual circuits 15 to 20 amps.
- Use a minimum of No. 10 AWG copper wire for individual circuits 20 to 25 amps.
- Use a minimum of No. 8 AWG copper wire for individual circuits 25 to 30 amps.

NOTE: Refer to the wiring diagram supplied with the unit and specifications label attached to the unit for specific electrical information.

Conduit Connection

Units supplied with a right angle fitting and flexible conduit attached have had all internal connections completed at the factory. Attach the proper power supply leads to the high temperature lead wires in the conduit.



Conduit Connections

Power Cord and Plug Models

Units can be supplied with a 6' (1829 mm) power cord and plug attached at the factory if the unit meets the following guidelines:

- 120 volt unit
- Single heating element
- 72" (1829 mm) or less in width
- Built-in switch
- Portable mounting using C-Legs or T-Legs supplied by Hatco or stationary mounting using "S" hooks and mounting chain supplied by Hatco.



ELECTRIC SHOCK HAZARD: Plug unit into a properly grounded electrical receptacle of the correct voltage, size, and plug configuration. If plug and receptacle do not match, contact a qualified electrician to determine and install proper voltage and size electrical receptacle.

NOTE: Units intended for fixed or permanent mounting cannot have a power cord attached and must be hardwired according to local and national electrical codes.

Remote Control Boxes

Hatco® remote control boxes include switches, wire leads, and/or indicator lights and are shipped ready for installation.

NOTICE

To prevent premature failure of components due to excessive heat, remote mounted control boxes and switches must be installed outside the strip heater heat zone.

The RMB Series require one remote control box per strip heater. The RMB2 Series allows multiple strip heaters to be connected to one remote control box.

NOTE: Remote control boxes are available in several configurations, depending on the model. All boxes are built in accordance with UL standards to accommodate switches, indicator lights, and wiring. See the OPTIONS AND ACCESSORIES section for more information.

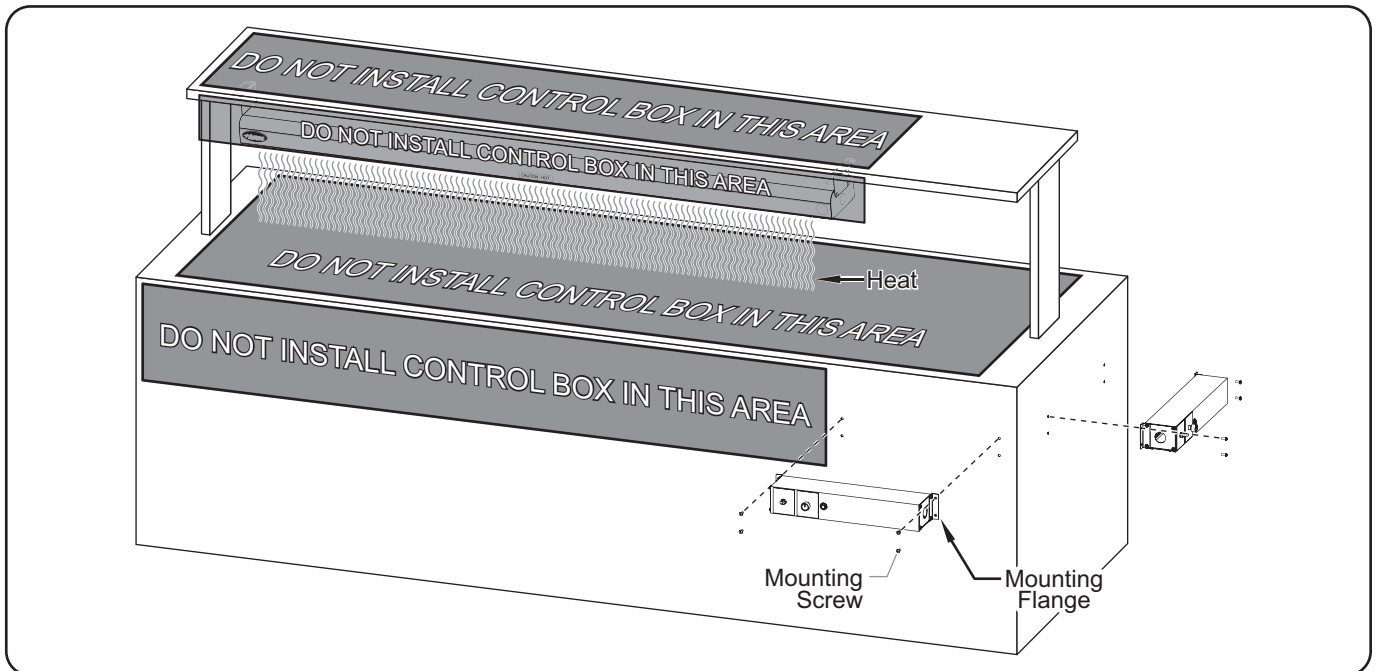
IMPORTANT NOTE:

Remote mounted boxes and control switches must be installed in a cool, dry location as far away from any heat zone as possible. **Do not mount boxes or switches directly on, under, around, or above unit.** Do not mount boxes or switches in direct contact with any heated surface or near any steam generating equipment.

Remote Mounted Control Switches

Optional remote mounted control switches include ON/OFF toggle switches and infinite control switches. These switches need to be installed into an approved electrical box/enclosure (not supplied) by a qualified electrician. See the OPTIONS AND ACCESSORIES section for more information.

NOTE: When two or more units are mounted where the heat from one housing tends to raise the temperature of another, the control switches should be installed in a remote control box. Units in a multiple installation should use remote mounted control switches.



Remote Mounted Control Box Installation Locations

General

Glo-Ray® Infrared Strip Heaters are designed for ease of operation. Use the following information and procedures to operate the unit.



Read all safety messages in the **IMPORTANT SAFETY INFORMATION** section before operating this equipment.



BURN HAZARD: Some exterior surfaces on unit will get hot. Use caution when touching these areas.

Standard and approved manufacturing oils may smoke up to 30 minutes during initial startup. This is a temporary condition. Operate unit without food product until smoke dissipates.

Controls

Strip heaters come standard with controls mounted to the unit or with optional remote mounted controls. The following is a list of the available controls for the strip heaters.

I/O (on/off) Toggle Switch—Turns power on and off to the heating elements and/or the lights (depending on control configuration).

Infinite Control—Turns on the power and controls the temperature of the heating elements. The infinite control is available either built-in or on a remote control box.

NOTE: Dual units cannot be equipped with built-in infinite controls.

Lights I/O (on/off) Toggle Switch—Turns power on and off to the lights.

Indicator Light—Illuminates when power is on, shuts off when power is off.

NOTE: Dual units require remote indicator lights.

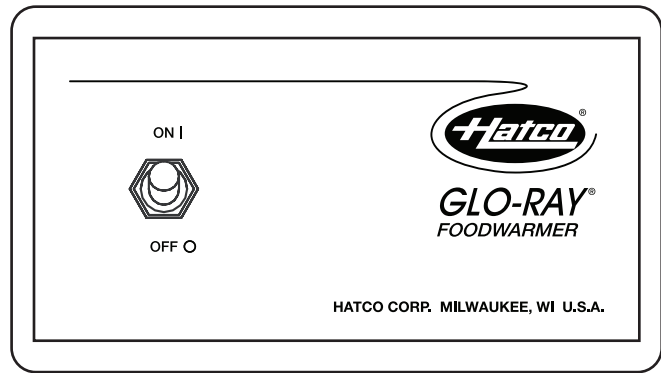
NOTE: Toggle switches cannot be used on circuits that exceed 15 amps. Infinite controls cannot be used on circuits that exceed 12.2 amps.

Startup

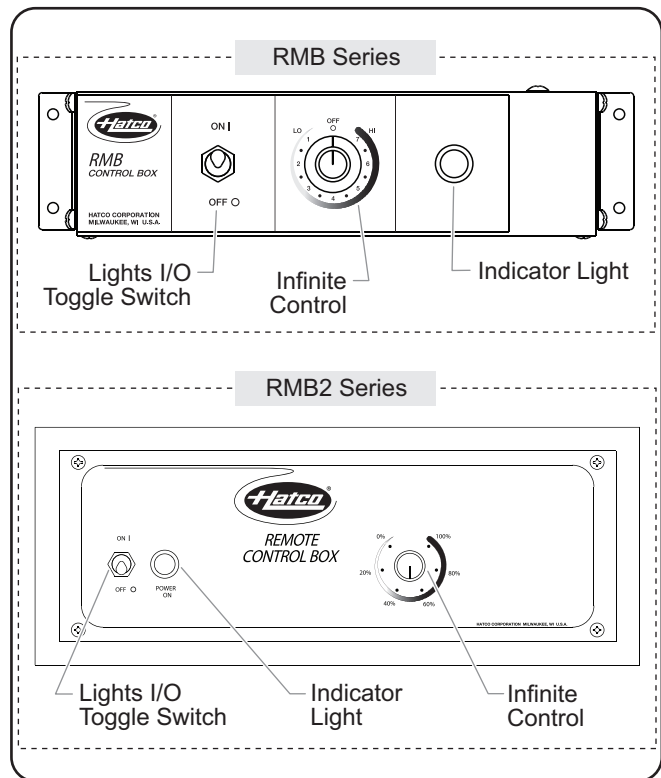
1. Turn on the heating element(s). The indicator light (if equipped) will illuminate and the heating elements will energize.
 - If unit is equipped with an I/O (on/off) toggle switch, move the toggle switch to the I (on) position.
 - If unit is equipped with an optional infinite control(s), turn the control to the desired setting.

NOTE: Allow 15–20 minutes to reach operating temperature.

2. On models equipped with display lights, move the lights I/O (on/off) toggle switch to the I (on) position.



Control Panel with I/O Toggle Switch



Remote Control Boxes

NOTE: Refer to the OPTIONS AND ACCESSORIES section for remote control box information.

Shutdown

1. Move the I/O (on/off) toggle switch to the O (off) position or turn the optional infinite control(s) to the O (off) position.
 - The indicator light (if equipped) will shut off and the heating elements will shut down.
2. On models equipped with display lights, move the lights I/O (on/off) toggle switch to the O (off) position.

General

Glo-Ray Infrared Strip Heaters are designed for maximum durability and performance with minimum maintenance.

WARNING

ELECTRIC SHOCK HAZARD:

- Turn OFF power switch, unplug power cord/turn off power at circuit breaker, and allow unit to cool before performing any cleaning, adjustments, or maintenance.
- DO NOT submerge or saturate with water. Unit is not waterproof. Do not operate if unit has been submerged or saturated with water.
- Do not steam clean or use excessive water on unit.
- This unit is not “jet-proof” construction. Do not use jet-clean spray to clean this unit.

This unit has no “user-serviceable” parts. If service is required on this unit, contact an Authorized Hatco® Service Agent or contact the Hatco Service Department at 414-671-6350.

Use only Genuine Hatco Replacement Parts when service is required. Failure to use Genuine Hatco Replacement Parts will void all warranties and may subject operators of the equipment to hazardous electrical voltage, resulting in electrical shock or burn. Genuine Hatco Replacement Parts are specified to operate safely in the environments in which they are used. Some aftermarket or generic replacement parts do not have the characteristics that will allow them to operate safely in Hatco equipment.

NOTICE

Use non-abrasive cleaners and cloths only. Abrasive cleaners and cloths could scratch the finish of the unit, marring its appearance and making it susceptible to soil accumulation.

IMPORTANT—DO NOT use paper towel or glass cleaner to clean plastic surfaces. Paper towel and glass cleaner may scratch the material. Wipe off plastic surfaces using a soft, clean, water-dampened cloth.

Daily Cleaning

To preserve the finish of the strip heater, it is recommended that all surfaces be cleaned daily.

1. Turn off the unit and allow the unit to cool.
2. Wipe down all metal surfaces with a water-dampened, non-abrasive cloth. Stubborn stains may be removed with a good stainless steel or non-abrasive cleaner. Clean hard to reach areas using a small brush and mild soap.
3. Wipe dry the entire unit using a non-abrasive, dry cloth.
4. If equipped, clean the plastic sneeze guards using soft cleaning cloths, mild soap, and water. **NOTICE: Do not use paper towel or glass cleaner on plastic surfaces—scratching may occur.**

Replacing Display Light Bulbs

WARNING

Use only light bulbs that meet or exceed National Sanitation Foundation (NSF) standards and are specifically designed for food holding areas. Breakage of light bulbs not specially coated could result in personal injury and/or food contamination.

The display light is an incandescent or optional halogen bulb that illuminates the warming area. These bulbs have a special coating to guard against injury and food contamination in the event of breakage.

To replace a display light bulb:

1. Disconnect the power supply and wait until the unit has cooled.
2. Unscrew the light bulb from the unit and replace it with a new, specially-coated incandescent or optional halogen bulb.

NOTE: Hatco shatter-resistant light bulbs meet NSF standards for food holding and display areas. For 120, 120/208, and 120/240 volt applications, use Hatco P/N [02.30.265.00](#).

NOTE: Halogen bulbs are available as an option for aluminum housing models only. For 120, 120/208, and 120/240 volt applications, use Hatco P/N [02.30.081.00](#).



This unit must be serviced by qualified personnel only. Service by unqualified personnel may lead to electric shock or burn.



ELECTRIC SHOCK HAZARD: Turn OFF power switch, unplug power cord/turn off power at circuit breaker, and allow unit to cool before performing any cleaning, adjustments, or maintenance.

Symptom	Probable Cause	Corrective Action
Unit is turned "On" but there is no heat.	No power to unit.	Check circuit breaker and reset as necessary.
	Switch is defective.	Contact Authorized Service Agent or Hatco® for assistance.
	Wiring is open.	
	Heating element defective.	
Heat is inadequate.	Unit mounted too high above target area.	Lower unit, putting effective heat closer to target.
	Excessive air movement around strip heater target area.	Restrict or redirect air movement (air conditioning duct or exhaust fan) away from unit.
	Incorrect power supply (low).	Check power supply to unit, making sure it matches rating on the unit. If power supply is incorrect, change to match rating on unit.
Heat is excessive.	Unit mounted too close to target area.	Check to see that installation is within specifications for type/model. Increase mounting height if too close.
	Voltage supply too high.	Check power supply to unit, making sure it matches rating on unit. If power supply is incorrect, change to match rating.
Control switches burn out.	Unit mounted improperly.	Move the unit the proper distance away from walls, counters, and/or pass-through shelves. Refer to the INSTALLATION section for guidelines.
	Remote control box is mounted too close to the heat zone.	Move remote control box away from the heat zone.
	Switches used are not Hatco supplied.	Genuine Hatco Parts are specified to operate safely and properly in the environment in which they are used. Contact Authorized Service Agent or Hatco to replace switches with Genuine Hatco Replacement Parts.

Troubleshooting Questions?

If you continue to have problems resolving an issue, please contact the nearest Authorized Hatco Service Agency or Hatco for assistance. To locate the nearest Service Agency, log onto the Hatco website at www.hatcocorp.com, select the *Support* pull-down menu, and click on "Find A Service Agent"; or contact the **Hatco Parts and Service Team** at:

Telephone: 414-671-6350

e-mail: support@hatcocorp.com

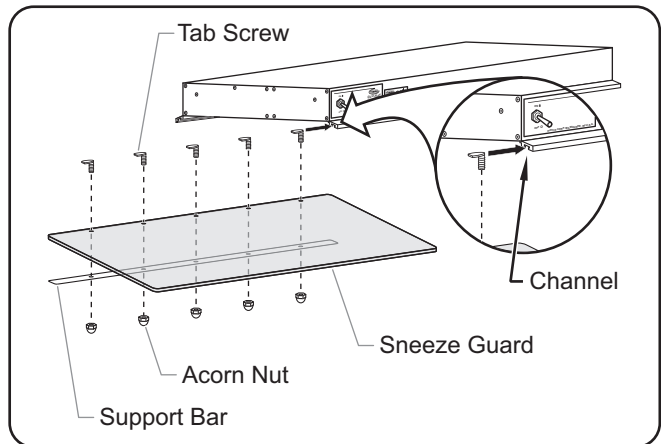
OPTIONS AND ACCESSORIES

Sneeze Guards

Optional sneeze guards are available for aluminum models only. They are available in sizes of 9-3/8" (238 mm) and 14" (356 mm). Sneeze guards can be installed on either one side or both sides of the unit.

To install a sneeze guard:

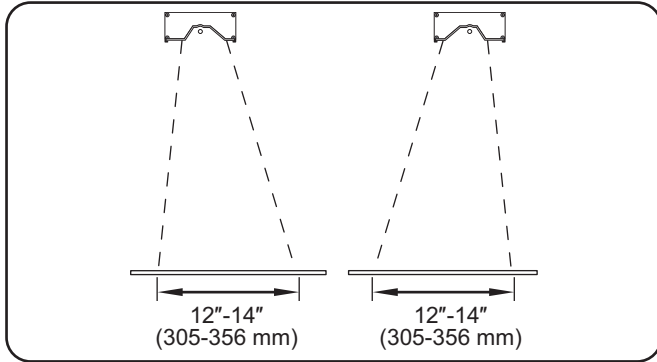
1. Remove the protective paper from the sneeze guard.
2. Assemble each tab screw through the top of the sneeze guard and through the support bar. Loosely thread an acorn nut onto each of the tab screws below the support bar.
3. Lift the sneeze guard assembly and carefully slide each of the tab screws that are loosely attached to the sneeze guard into the channel on the unit.
4. Align each end of the sneeze guard with the ends of the unit and then tighten the acorn nuts to secure the sneeze guard in position. Do not over-tighten the acorn nuts.



Installing Sneeze Guards

Slant Reflectors

Additional slant reflector styles are available. Consult the factory for more information. Slant reflectors direct the heat pattern toward the front or back.



Slant Reflector Heat Patterns

Chef LED Bulbs

Chef LED bulbs are available for models with lights. CHEF LED bulbs are LED light bulbs that offer energy savings over incandescent bulbs. Use the following for replacement bulbs:

120 Volts

3000K: [R02.30.195.01](#)

4000K: [R02.30.196.01](#)

Remote Control Boxes — RMB Series

RMB Series remote control boxes are available in various configurations for use with strip heaters. Remote control boxes locate controls away from the heat of the unit, increasing the life span of the controls. All models are built in accordance with UL standards with switches, indicator lights, and wiring. Consult the factory for type and location of RMB Series controls for the control box.

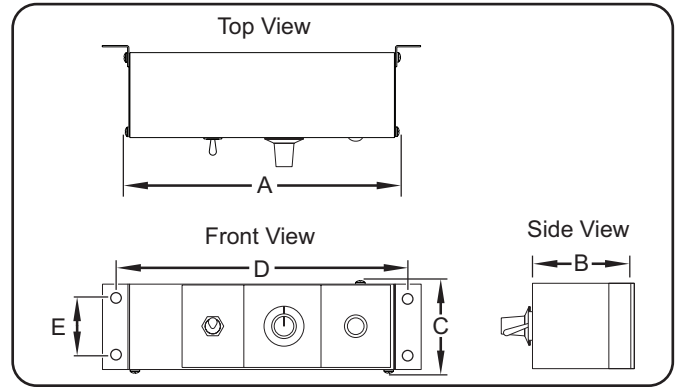
NOTE: RMB Series remote control boxes require one remote control box per strip heater.

1. Determine the area to mount the RMB box.

IMPORTANT NOTE:

Remote mounted boxes and control switches must be installed in a cool, dry location as far away from any heat zone as possible. **Do not mount boxes or switches directly on, under, around, or above unit.** Do not mount boxes or switches in direct contact with any heated surface or near any steam generating equipment.

Models	Width (A)	Depth (B)	Height (C)	Screw Width (D)	Screw Height (E)
RMB-3 Series	5-15/16" (150 mm)	3" (76 mm)	2-5/8" (67 mm)	6-5/16" (161 mm)	1-5/8" (41 mm)
RMB-7 Series	9-3/8" (239 mm)	3" (76 mm)	2-5/8" (67 mm)	9-13/16" (249 mm)	1-5/8" (41 mm)
RMB-14 Series	14-3/8" (366 mm)	3" (76 mm)	2-5/8" (67 mm)	14-13/16" (376 mm)	1-5/8" (41 mm)
RMB-16 Series	16-3/8" (417 mm)	3" (76 mm)	2-5/8" (67 mm)	16-13/16" (427 mm)	1-5/8" (41 mm)
RMB-20 Series	20-3/8" (518 mm)	3" (76 mm)	2-5/8" (67 mm)	20-13/16" (529 mm)	1-5/8" (41 mm)

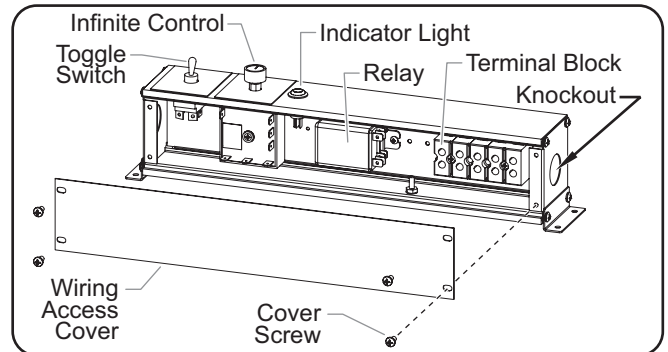


Dimensions — RMBs

2. Secure the RMB to the mounting surface using appropriate screws or fasteners.
 - Use the mounting flange on each end of the RMB.

NOTE: Sizing of the power supply wire leads and upstream overcurrent protection must conform with National Electric Code (NEC) requirements as well as all local codes.

3. Remove the wiring access cover on bottom of the control box by removing screws and sliding cover off.
4. Identify and remove the appropriate knockouts from the control box for the electrical connections.
5. Attach conduit connectors to the knockouts in the control enclosure.



Removing Wiring Access Cover

6. Make the electrical connections between the unit and the output terminals on the terminal block or wire leads inside the control box. Refer to the wiring diagrams included with the unit and the RMB control box.

NOTE: To ground the RMB, use either a separate ground wire, metallic conduit, or other locally accepted method in accordance with the National Electric Code (NEC) or Canadian Electric Code (CEC).

7. Tie all ground leads (green and/or green/yellow leads) together and terminate with a UL Listed wire nut.
8. Make the electrical connections between the power supply and the input terminals on the terminal block or wire leads inside the control box. Refer to the wiring diagram included with the RMB control box.

NOTE: Verify which wire leads from the foodwarmer are for phase, neutral, and/or lighting connections, as applicable.

9. Make sure all wire connections are tight, and secure both conduit runs to the conduit connectors.

continued...

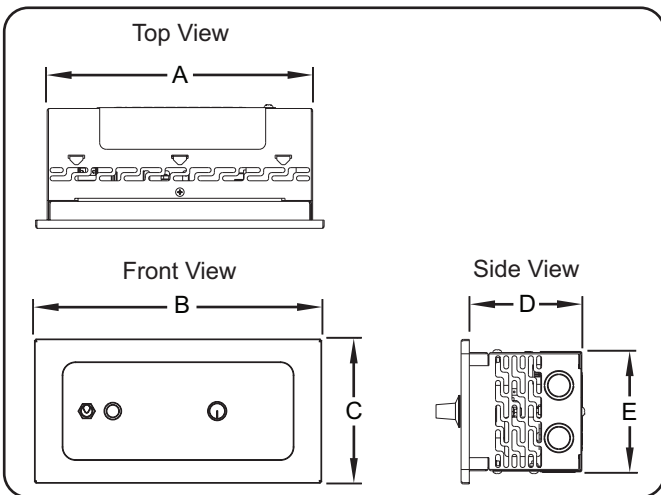
10. Reinstall the wiring access cover on bottom of the control box.
11. Turn on power at the fused disconnect switch/circuit breaker, turn on the unit, and test operation.

Remote Control Box — RMB2 Series

RMB2 Series remote control boxes allow multiple strip heaters to be wired to and controlled by a single box. The total amp draw of all connected strip heaters cannot exceed the rating of the remote control box. Consult the factory for information regarding the proper RMB2 Series remote control box for a specific application. Refer to the Instruction Sheet included with the enclosure for installation information.

RMB2 Series Dimensions

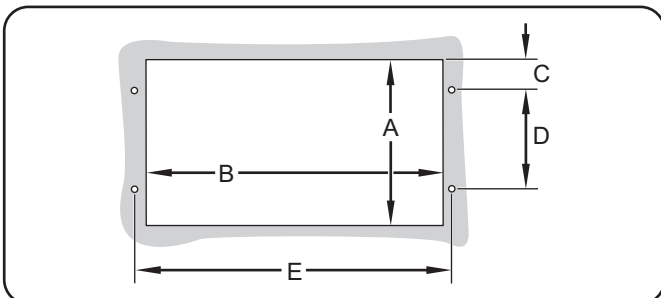
Models	Width (A)	Width (B)	Height (C)	Depth (D)	Height (E)
RMB2-1R	10-1/8" (257 mm)	11" (279 mm)	5-1/2" (140 mm)	4-1/4" (109 mm)	4-5/8" (116 mm)
RMB2-2R	13-1/8" (333 mm)	14" (356 mm)	5-1/2" (140 mm)	4-1/4" (109 mm)	4-5/8" (116 mm)



Dimensions — RMB2s

RMB2 Series Cutout Dimensions

Models	Opening Cutout Dimensions		Screw Hole Dimensions		
	(A)	(B)	(C)	(D)	(E)
RMB2-1R	4-3/4" (121 mm)	10-1/8" (257 mm)	1-1/8" (29 mm)	2-1/2" (64 mm)	10-7/16" (265 mm)
RMB2-2R	4-3/4" (121 mm)	13-1/8" (333 mm)	1-1/8" (29 mm)	2-1/2" (64 mm)	13-7/16" (341 mm)



Cutout Dimensions — RMB2s

Infinite Switch

Use the following procedure to install an infinite switch. An infinite switch needs to be installed into an approved electrical box/enclosure (not supplied) by a qualified electrician.



WARNING

ELECTRIC SHOCK HAZARD: Turn OFF power switch, disconnect unit from power source, and allow unit to cool before performing any cleaning, adjustments, or maintenance.



NOTICE

To prevent premature failure of components due to excessive heat, remote mounted control boxes and switches must be installed outside the strip heater heat zone.

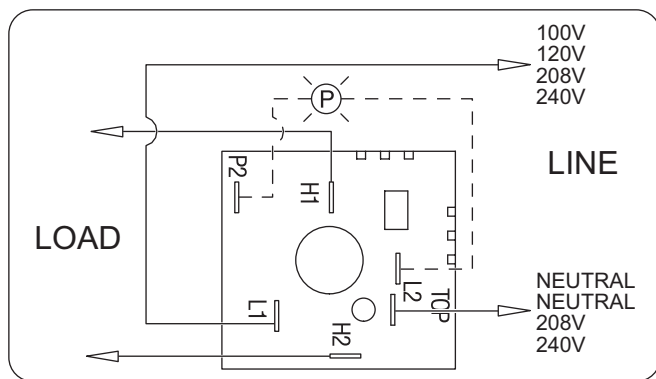
1. Verify unit is off and disconnected from the power source.
2. Install the infinite switch. Refer to the wiring diagram for proper electrical connections. Make sure the switch is installed with the "H1" terminal oriented on top. This will ensure that the switch functions match the markings on the switch label.
 - Power In: L1 and L2 (for 100V and 120V units, L2 is neutral)
 - To Heating Element: H1 and H2

NOTE: The terminals on the infinite switch are specially designed, high-temperature rated terminals that do not require solder connections.



NOTICE

The infinite switch must be installed using the terminals and wires supplied with the switch. Failure to use the supplied Genuine Hatco® Replacement Parts will void all warranties and may damage the equipment.



Infinite Switch Wiring Diagram (rear view)

NOTE: Make sure the switch is installed with the "H1" terminal oriented on top ("12 o'clock" position), as shown above. This will ensure that the switch functions match the markings on the switch label.

Infinite Switch Kit Part Numbers

Part Number	Voltage
R02.19.160.00	100 volt
R02.19.018.00	120 volt
R02.19.017.00	208 volt
R02.19.019.00	240 volt

WARRANTY, EXCLUSIVE REMEDY:

Hatco Corporation (Seller) warrants that the products it manufactures (Products) will be free from defects in materials and workmanship under normal use and service and when stored, maintained, and installed in strict accordance with factory recommendations. Seller's sole obligation to the person or entity buying the Products directly from Seller (Customer) under this warranty is the repair or replacement by Seller or a Seller-authorized service agency, at Seller's option, of any Product or any part thereof deemed defective upon Seller's examination, for a period of: (i) the Warranty Duration from the date of shipment by Seller or (ii) the Warranty Duration from the date of Product registration in accordance with Seller's written instructions, whichever is later. The "Warranty Duration" shall mean the specific periods set forth below for specific Product components, or, to the extent not listed below, eighteen (18) months. Credit for Products or parts returned with the prior written permission of Seller will be subject to the terms shown on Seller's material return authorization form. PRODUCTS OR PARTS RETURNED WITHOUT PRIOR WRITTEN PERMISSION OF SELLER WILL NOT BE ACCEPTED FOR CREDIT. Expenses incurred by Customer in returning, replacing, or removing the Products will not be reimbursed by Seller. If the defect comes under the terms of the limited warranty, the Products will be repaired or replaced and returned to the Customer and the cost of return freight will be paid by Seller. The remedy of repair or replacement provided for herein is Customer's exclusive remedy. Any improper use, alteration, repairs, tampering, misapplication, improper installation, application of improper voltage, or any other action or inaction by Customer or others (including the use of any unauthorized service agency) that in Seller's sole judgment adversely affects the Product shall void this warranty. The warranty expressly provided herein may only be asserted by Customer and may not be asserted by Customer's customers or other users of the Products; provided, however, that if Customer is an authorized equipment dealer of Seller, Customer may assign the warranty herein to Customer's customers, subject to all of the limitations of these Terms, and in such case, the warranty shall be exclusively controlled by Seller in accordance with these Terms. THIS LIMITED WARRANTY IS EXCLUSIVE AND IS IN LIEU OF ANY OTHER WARRANTY, EXPRESSED OR IMPLIED, INCLUDING BUT NOT LIMITED TO ANY IMPLIED WARRANTY OF NONINFRINGEMENT, MERCHANTABILITY, OR FITNESS FOR A PARTICULAR PURPOSE, WHICH ARE EXPRESSLY DISCLAIMED.

One (1) Year Parts and Labor PLUS One (1) Additional Year Parts-Only Warranty:

- Conveyor Toaster Elements (metal sheathed)
- Drawer Warmer Elements (metal sheathed)
- Drawer Warmer Drawer Rollers and Slides
- Food Warmer Elements (metal sheathed)
- Display Warmer Elements (metal sheathed air heating)
- Holding Cabinet Elements (metal sheathed air heating)
- Heated Well Elements — HW, HWB, and HWBI Series (metal sheathed)

Two (2) Year Parts and Labor Warranty:

- Induction Ranges
- Induction Warmers

One (1) Year Replacement Warranty:

- TPT Pop-Up Toasters

One (1) Year Parts and Labor PLUS Four (4) Years Parts-Only Warranty:

- 3CS and FR Tanks

One (1) Year Parts and Labor PLUS Nine (9) Years Parts-Only Warranty:

- Electric Booster Heater Tanks
- Gas Booster Heater Tanks

Ninety (90) Day Parts-Only Warranty:

- Replacement Parts

Notwithstanding anything herein to the contrary, the limited warranty herein will not cover components in Seller's sole discretion such as, but not limited to, the following: coated incandescent light bulbs, fluorescent lights, heat lamp bulbs, coated halogen light bulbs, halogen heat lamp bulbs, xenon light bulbs, LED light tubes, glass components, and fuses; Product failure in booster tank, fin tube heat exchanger, or other water heating equipment caused by liming, sediment buildup, chemical attack, or freezing.

WARRANTY REGISTRATION INSTRUCTIONS:

Product registration must be submitted within 90 days from the date of shipment from our factory to qualify for additional coverage. Registration may be submitted through the form on Seller's website, through the form accessible through the QR code on the Product (where available), or by calling Customer Service with the required information at: **800-558-0607** or **414-671-6350**.

LIMITATION OF LIABILITY:

SELLER WILL NOT BE LIABLE FOR ANY INDIRECT, INCIDENTAL, CONSEQUENTIAL, PUNITIVE, EXEMPLARY, OR SPECIAL DAMAGES, INCLUDING WITHOUT LIMITATION ANY LOST PROFITS, COSTS OF SUBSTITUTE PRODUCTS, OR LABOR COSTS ARISING FROM THE SALE, USE, OR INSTALLATION OF THE PRODUCTS, FROM THE PRODUCTS BEING INCORPORATED INTO OR BECOMING A COMPONENT OF ANOTHER PRODUCT, OR FROM ANY OTHER CAUSE WHATSOEVER, WHETHER BASED ON WARRANTY (EXPRESSED OR IMPLIED) OR OTHERWISE BASED ON CONTRACT, TORT, OR ANY OTHER THEORY OF LIABILITY, AND REGARDLESS OF ANY ADVICE OR REPRESENTATIONS THAT MAY HAVE BEEN RENDERED BY SELLER CONCERNING THE SALE, USE, OR INSTALLATION OF THE PRODUCTS, EVEN IF SELLER IS AWARE OF THE POSSIBILITY OF SUCH DAMAGES. IN NO EVENT WILL SELLER'S AGGREGATE LIABILITY ARISING OUT OF OR RELATED TO THIS AGREEMENT EXCEED THE TOTAL AMOUNTS PAID TO SELLER BY CUSTOMER FOR THE PRODUCTS WITHIN THE THREE (3) MONTH PERIOD IMMEDIATELY PRECEDING THE EVENT GIVING RISE TO CUSTOMER'S CLAIM. THE LIMITATIONS SET FORTH HEREIN REGARDING SELLER'S LIABILITY SHALL BE VALID AND ENFORCEABLE NOTWITHSTANDING A FAILURE OF ESSENTIAL PURPOSE OF THE LIMITED REMEDY SPECIFIED IN THESE TERMS.

Seller reserves the right to update these Terms at any time, at its sole discretion, which become binding upon the date of publishing. For the most current version of our full Terms of Sale, see our website at: <https://www.hatcocorp.com/terms-of-sale>

Informations Importantes pour le Propriétaire	20	Montage de la cornière.....	30
Introduction	20	Informations sur le câblage électrique	31
Consignes de Sécurité Importantes	21	Mode d'emploi	33
Description du Modèle	23	Généralités	33
Désignation du Modèle	23	Maintenance	34
Caractéristiques Techniques	24	Nettoyage	34
Configuration des Fiches.....	24	Remplacement du tube d'éclairage.....	34
Dimensions.....	24	Guide de Dépannage	35
Installation	25	Options et Accessoires	36
Généralités	25	Garantie Limitée	39
Hauteurs Recommandées pour le Montage	26	Autorisés Distributeurs de Pièces	Couverture Arrière
Exigences en matière de dégagement minimum	26		
Installation d'unités Mobiles	28		
Installation d'unités Suspendues à des Chaînes	29		
Installation d'unités Permanentes	29		

INFORMATIONS IMPORTANTES POUR LE PROPRIÉTAIRE

Noter le numéro de modèle, le numéro de série, le voltage et la date d'achat de votre appareil ci-dessous (plaque signalétique située sous l'appareil). Veuillez avoir cette information à portée de la main si vous appelez Hatco® pour assistance.

Modèle No. _____

Numéro de série _____

Voltage _____

Date d'achat _____

Enregistrez votre appareil!

Remplissez la garantie en ligne pour éviter les retards pour faire jouer la garantie. Accédez au site Web Hatco www.hatcocorp.com, sélectionnez le menu déroulant *Support (Assistance)*, puis cliquez sur « Warranty » (Garantie).

Horaires

ouvrables : 7h00 à 17h00 du lundi au vendredi

Heure du Centre (CT)

(Horaires d'été—juin à septembre:

7h00 à 17h00 du lundi au jeudi

7h00 à 16h00 le vendredi)

Téléphone: +1-414-671-6350

Courriel: support@hatcocorp.com



Service d'assistance et de pièces de rechange disponible 7j/7, 24h/24 aux États-Unis et au Canada en composant le +1-414-671-6350.

Des renseignements supplémentaires sont disponibles sur notre site Web à www.hatcocorp.com.

INTRODUCTION

Les rampes chauffantes à infrarouge Glo-Ray® garantissent une durée de conservation des aliments maximale et minimisent le risque de maladie d'origine alimentaire. Une sécurité et une qualité optimum sont le résultat de la conservation des aliments aux bonnes températures de service en utilisant les schémas de chaleur préétablis par Glo-Ray's. Le profil de chaleur pré-focalisé empêche les aliments d'être trop cuits au milieu et tièdes sur les bords, en concentrant des températures plus élevées vers les bords extérieurs des surfaces de service, où la perte de chaleur est la plus importante. Grâce à des réflecteurs spécialement conçus pour diriger la chaleur à partir de l'élément, les rampes chauffantes Glo-Ray permettent aux aliments de conserver des températures de service bien réparties en toute sécurité, et ce sans les cuire au-delà de leur point de cuisson optimale.

Les rampes chauffantes à infrarouge Glo-Ray sont disponibles en sortie d'usine avec ou sans lampes à incandescence résistantes à l'éclatement destinées à éclairer la zone de maintien au chaud. Ces ampoules possèdent un enduit spécial destiné à éviter toute blessure et toute contamination des éléments en cas de casse.

Les rampes chauffantes à infrarouge Glo-Ray sont des produits issus d'une recherche approfondie; elles ont subi des essais sur le terrain. Les matériaux utilisés ont été sélectionnés pour un maximum de durabilité, d'aspect esthétique et de performance optimum. Chaque appareil est minutieusement inspecté et testé avant expédition.

Ce manuel fournit des instructions pour l'entretien, l'utilisation et le fonctionnement des réchauffeurs de bande de Glo-Ray. Hatco vous recommande de lire l'ensemble des instructions d'installation, de sécurité et de fonctionnement contenues dans ce manuel avant d'installer et d'utiliser l'appareil.

Les consignes de sécurité qui apparaissent dans ce manuel sont identifiées par les mots indicateurs suivants :

⚠ AVERTISSEMENT

AVERTISSEMENT indique une situation dangereuse qui, si elle n'est pas évitée, peut provoquer la mort ou des blessures graves.

⚠ ATTENTION

ATTENTION indique une situation dangereuse qui, si elle n'est pas évitée, peut provoquer des blessures légères ou moyennes.

AVIS

AVIS est utilisé pour des questions sans rapport avec des blessures corporelles.



Lisez l'information de sécurité importante suivante avant d'utiliser cet équipement pour éviter des dommages ou la mort sérieux et pour éviter d'endommager l'équipement ou la propriété.

AVERTISSEMENT

DANGER DE DÉCHARGE ÉLECTRIQUE :

- Les appareils fournis sans câble et prise électrique nécessitent une connexion câblée au système électrique sur place. La connexion doit être correctement mise à la terre et doit correspondre au voltage, à la taille et à la configuration correspondant aux spécifications de l'appareil. Contactez un électricien qualifié pour déterminer et installer la connexion électrique adaptée.
- Branchez l'unité à une prise correctement reliée à la terre et possédant le voltage, la dimension et la configuration adéquats. Si la fiche et la prise ne correspondent pas, contactez un électricien qualifié afin de déterminer et d'installer une prise électrique possédant la taille et la tension adéquate.
- Tournez le interrupteur sur « ARRÊT » pour éteindre la rampe, débranchez le cordon d'alimentation/coupez le courant au disjoncteur et laissez refroidir l'unité avant d'effectuer toute opération de nettoyage, de réglage ou d'entretien.
- NE PAS immerger l'appareil ni le saturer d'eau. L'appareil n'est pas étanche à l'eau. Ne pas le faire fonctionner s'il a été immergé ou saturé d'eau.
- Ne pas nettoyer à la vapeur ni utiliser trop d'eau sur l'appareil.
- Cet appareil n'est pas étanche aux jets. Ne pas utiliser de jet sous pression pour nettoyer l'appareil.
- Interrompez l'utilisation de l'unité si le cordon d'alimentation est effiloché ou usé.
- N'essayez jamais de réparer ou de remplacer un cordon d'alimentation endommagé. Celui-ci devra être remplacé par Hatco, un agent de service agréé par Hatco ou une personne possédant des qualifications similaires.
- Utilisez uniquement des pièces de rechange d'origine Hatco lorsque l'entretien est nécessaire. Utilisez des pièces détachées Hatco authentiques sous peine d'annuler toutes les garanties et d'exposer l'utilisateur à des tensions électriques dangereuses pouvant entraîner une électrocution ou des brûlures. Les pièces de rechange authentiques Hatco sont spécifiées pour fonctionner en toute sécurité dans les environnements dans lesquels elles sont utilisées. Certaines pièces de rechange génériques ou d'après-vente n'ont pas les caractéristiques qui leur permettent d'opérer en toute sécurité dans les équipements Hatco.

RISQUE D'EXPLOSION: Ne conservez pas ou n'utilisez pas d'essence ou d'autres vapeurs ou liquides inflammables à proximité de cet appareil ou de tout autre appareil.

N'utiliser que des ampoules électriques qui correspondent ou qui surpassent les standards de la Fondation Nationale des Affaires Sanitaires (NSF) et qui sont spécifiquement conçus pour les espaces de conservation des aliments. La casse d'ampoules électriques non enduites de manière spécifique pourrait entraîner des lésions corporelles et/ou une contamination des aliments.

AVERTISSEMENT

DANGER D'INCENDIE :

- Positionnez l'unité à bonne distance des murs et matériaux combustibles. Si les distances de sécurité ne sont pas respectées, une décoloration ou combustion peut avoir lieu. Reportez-vous aux informations spécifiques d'installation et de montage de ce manuel pour connaître les dégagements adéquats.
- Assurez-vous de suivre les informations d'installation ci-dessous pour des rampes chauffantes spécifiques. Si les distances de sécurité ne sont pas respectées, une décoloration ou combustion peut avoir lieu.
 - a. N'installez pas de rampe chauffante de puissance standard (séries GR, GRA, GRN, GRAL) à moins de 254 mm (10") au-dessus d'une surface combustible.
 - b. N'installez pas de rampes chauffantes à haute puissance (séries GRH, GRAH, GRNH, GRAHL) à moins de 343 mm (13 1/2") au-dessus d'une surface combustible.
 - c. N'installez pas de doubles rampes chauffantes (séries GRA-xxD, GRAH-xxD, GRAL-xxD et GRAHL-xxD Séries) au-dessus d'une surface combustible.
 - d. Installez toutes les rampes chauffantes simples à une distance minimale de 76 mm (3") par rapport aux murs ou surfaces adjacentes combustibles.

Cet appareil ne doit pas être utilisé par des enfants ou des personnes avec des capacités physiques, sensorielles ou mentales diminuées. Assurez-vous que les enfants sont bien surveillés et tenez-les à l'écart de l'appareil.

Assurez-vous que tous les opérateurs ont été formés à l'utilisation sûre et correcte de l'appareil.

S'assurer que le produit alimentaire a été chauffé à une température adaptée au maintien de sa salubrité avant de le mettre dans l'appareil sous peine de risques graves pour la santé. Cet appareil est destiné au maintien au chaud de produits alimentaires préchauffés uniquement.

Pour l'installation avec des chaînes, assurez-vous que les chaînes sont suffisamment résistantes et qu'elles sont solidement fixées à la fois sur le réchauffeur de bande et sur l'espace de montage. Des chaînes mal installées peuvent entraîner le relâchement et la chute du réchauffeur. Ne rien placer sur des réchauffeurs installés avec des chaînes.

Cet appareil ne contient aucune pièce réparable par l'utilisateur. Si cet appareil doit être réparé, contacter un réparateur Hatco agréé ou le Service après-vente Hatco au +1-414-671-6350.

ATTENTION

DANGER DE BRÛLURE: Certaines surfaces extérieures de l'appareil deviennent chaudes. Toucher ces zones de l'appareil avec précaution.

Les graisses standards et approuvées utilisées lors de la fabrication peuvent provoquer des fumées au cours du démarrage initial pendant 30 minutes. Il s'agit d'un état temporaire. Utilisez l'appareil sans produit alimentaire jusqu'à ce que la fumée disparaisse.

Les rampes chauffantes équipées de lumières incandescentes qui nécessitent un disjoncteur de plus de 20 ampères pour l'élément chauffant doivent avoir un disjoncteur séparé pour les lumières incandescentes de 20 ampères ou moins.

Assurez-vous que le fonctionnement est sûr et adapté. Référez-vous aux « Exigences d'espace minimum » indiquées dans la section Installation de ce manuel.

AVIS

L'installation de deux appareils ou plus avec moins de 76 mm (3") entre les boîtiers peut entraîner le défaut prématuré des composants. L'incapacité à fournir un espacement adapté peut entraîner des dommages causés par la chaleur aux composants électriques qui ne sont pas couverts par la garantie.

Les unités ne fonctionnent qu'à la tension spécifiée. Reportez-vous à l'étiquette des caractéristiques des exigences électriques avant de commencer l'installation.

Ne masquez pas une rampe chauffante montée sur un passe-plat avec une sous-face décorative. Une température excessive peut entraîner une panne de l'unité.

Pour éviter une défaillance prématurée des composants due à une chaleur excessive, les boîtiers et les interrupteurs de commande à distance doivent être installés à l'extérieur de la zone de chaleur des rampes chauffantes.

Les dommages pouvant être causés au dessus de comptoir par l'équipement de Hatco® ne sont pas couverts par la garantie de Hatco. Contactez le fabricant du comptoir pour les informations concernant l'application.

Utilisez seulement des nettoyeurs non abrasifs et des chiffons doux. Les chiffons et nettoyeur abrasifs pourraient érafler la finition de l'unité, entachant son apparence et la rendant susceptible à l'accumulation de saleté.

IMPORTANT: N'utilisez PAS de serviettes en papier ou de nettoyeur pour vitres pour nettoyer les surfaces en plastique. Les serviettes en papier et le nettoyeur pour vitres peuvent rayer l'équipement. Essuyez les surfaces en plastique à l'aide d'un chiffon doux, propre et humide.

Tous les Modèles

Les rampes chauffantes à infrarouge Glo-Ray® de Hatco gardent les aliments chauds à des températures de service optimales plus longtemps. Les aliments ne se dessèchent et ne se décolorent pas ; même les plats les plus délicats donnent l'impression de tout juste sortir du fourneau. Le profil de chaleur pré-focalisé de Glo-Ray dirige la chaleur émise par un élément tubulaire afin qu'elle baigne entièrement la surface de service.

Les rampes chauffantes Glo-Ray peuvent être commandées en configuration « puissance standard » ou « haute puissance » avec des boîtiers en acier inoxydable de 24" à 96" (610 à 2 438 mm) de long, des boîtiers en aluminium de 18" à 144" (457 à 3 658 mm) de long, ou des boîtiers de style étroit en acier inoxydable de 18" à 72" (457 à 1 829 mm) de long.

Toutes les rampes chauffantes bénéficient de plusieurs options de montage et d'emplacement de l'interrupteur. Des interrupteurs de commande en continu, des boîtiers de commande à distance, l'éclairage à incandescence, et des pare-haleine sont également proposés en option.

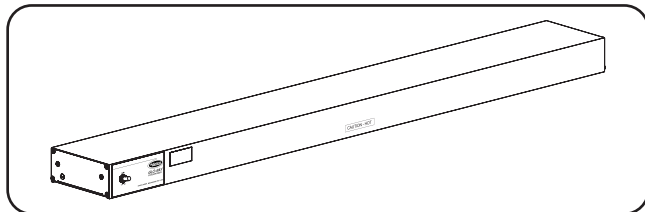
Modèles GR-xx et GRH-xx

Les modèles en acier inoxydable sont disponibles avec ou sans les lampes à incandescence.

NOTA: Les rampes chauffantes en acier inoxydable ne peuvent pas être munies de pare-haleine et ne peuvent pas être installées en double.

Modèles GRA-xx, GRAH-xx, GRAL-xx, et GRAHL-xx

Les modèles à élément chauffant unique et à boîtier en aluminium sont disponibles avec ou sans lampe à incandescence.

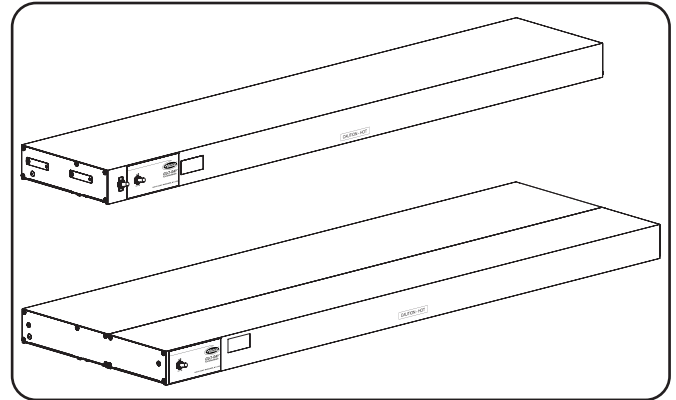


Modèle **GRA-48**

Modèles GRA-xxD, GRAH-xxD, GRAL-xxD, et GRAHL-xxD

Les modèles doubles permettent d'installer côte à côte deux rampes ou davantage afin de chauffer une surface de service plus large. Les modèles doubles sont construits avec l'entretoise obligatoire de 3" (76 mm) ou 6" (152 mm) entre les éléments de chauffage.

Les modèles doubles à boîtier en aluminium sont disponibles avec ou sans lampe à incandescence.



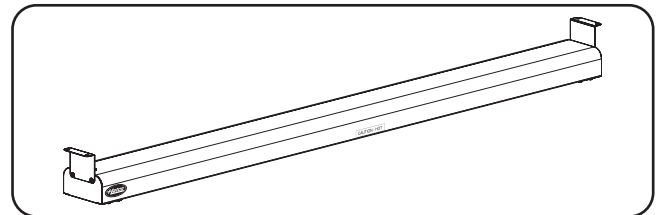
GRAHL-48 et **GRAL-48D** Modèles

NOTA: Ils ne peuvent pas être munis de lampes à incandescence ni de pare-haleine une fois sortis d'usine.

Modèles GRN-xx et GRNH-xx

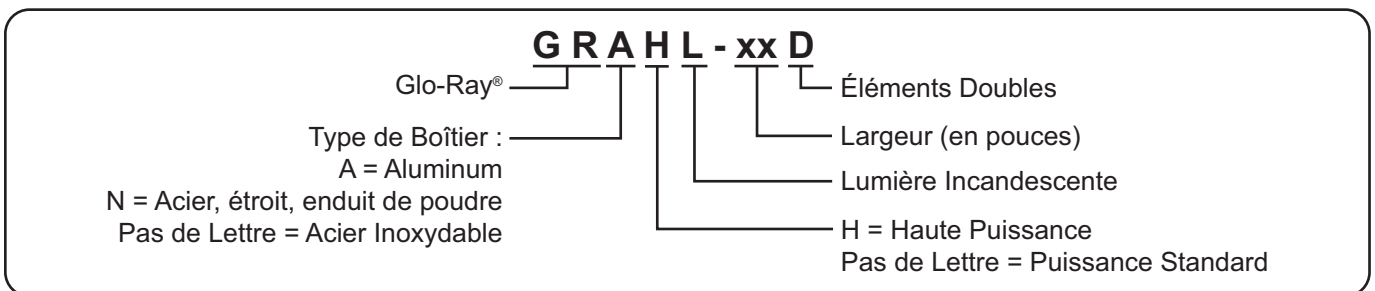
Les modèles étroits sont disponibles en acier inoxydable, en acier enduit de poudre, ou en plusieurs couleurs Designer.

NOTA: Les rampes chauffantes de type étroit ne sont pas disponibles avec des lampes ou des pare-haleine, et ne sont pas disponibles en unité double.



Modèle **GRN-48**

DÉSIGNATION DU MODÈLE



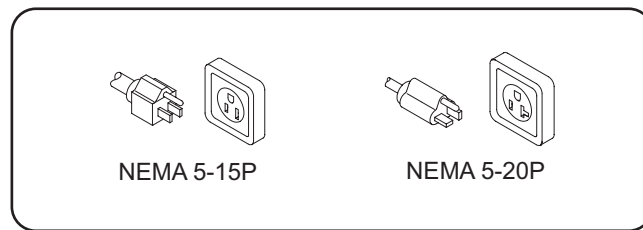
Configuration des fiches

Un cordon de 6' (1 826 mm) et une fiche d'alimentation peuvent être installés en usine, en option, pour certaines unités. Ces unités doivent être des modèles de 120 V avec commande intégrée de 72" (1 829 mm) ou moins de long et montées avec un ensemble de chaînes standard, ou montées sur un pied en C ou en T.

NOTA: Le cordon et la fiche ne sont pas disponibles pour les unités munies d'éclairage.

AVERTISSEMENT

DANGER DE DÉCHARGE ÉLECTRIQUE: Brancher l'appareil sur une prise de courant avec terre de tension, de format et de configuration des broches corrects. Si la fiche et la prise ne se correspondent pas, s'adresser à un électricien qualifié pour déterminer et installer une prise de courant de format et de tension corrects.



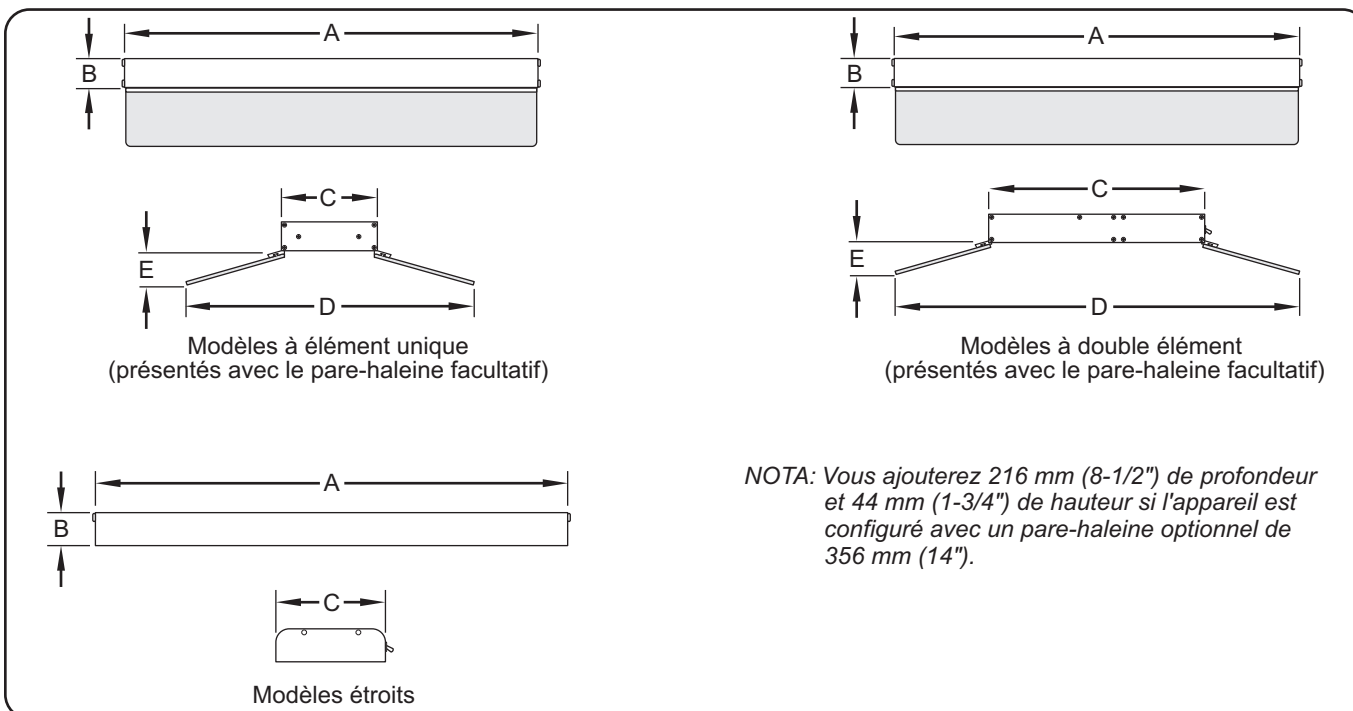
Configuration des fiches

NOTA: Prise non fournie par Hatco.

NOTA: Référez-vous au diagramme de câblage fourni avec l'appareil et à l'étiquette de spécification attachée à l'appareil pour obtenir des informations spécifiques concernant l'électricité. En outre, se référer à la "Electrical Rating Charts" document sur la page Rampes Chauffantes à Infrarouge sur la site Hatco (www.hatcocorp.com).

Dimensions

Modèle	Largeur (A)	Hauteur (B)	Profondeur (C)	Profondeur (D)	Hauteur (E)
GR et GRH	457–2438 mm (18"–96")	63 mm (2-1/2")	152 mm (6")	---	---
GRA et GRAH	457–3658 mm (18"–144")	63 mm (2-1/2")	152 mm (6")	584 mm (23")	102 mm (4")
GRAL et GRAHL	457–3658 mm (18"–144")	63 mm (2-1/2")	229 mm (9")	660 mm (26")	102 mm (4")
GRA-xxD, GRAH-xxD, GRAL-xxD, et GRAHL-xxD	457–3658 mm (18"–144")	63 mm (2-1/2")	Espacementde 7,6 cm (3") : 381 mm (15") Espacementde 15,2 cm (6") : 457 mm (18")	Espacementde 7,6 cm (3") : 813 mm (32") Espacementde 15,2 cm (6") : 889 mm (35")	102 mm (4")
GRN et GRNH	457–1829 mm (18"–72")	51 mm (2")	102 mm (4")	---	---



NOTA: Vous ajouterez 216 mm (8-1/2") de profondeur et 44 mm (1-3/4") de hauteur si l'appareil est configuré avec un pare-haleine optionnel de 356 mm (14").

Généralités

Utilisez les informations contenues dans cette section pour préparer et installer une rampe chauffante à infrarouge. Assurez-vous d'appliquer les informations spécifiques au type d'installation. Lors de l'expédition, la plupart des composants des rampes chauffantes à infrarouge sont pré-assemblés. Les unités doubles sont disponibles avec un espaceur nécessaire de 76 mm (3") ou 152 mm (6") pré-assemblé à l'usine.

AVERTISSEMENT

DANGER D'INCENDIE:

- **Positionnez l'unité à bonne distance des murs et matériaux combustibles. Si les distances de sécurité ne sont pas respectées, une décoloration ou combustion peut avoir lieu. Reportez-vous aux informations spécifiques d'installation et de montage de ce manuel pour connaître les dégagements adéquats.**
- **Assurez-vous de suivre les informations d'installation ci-dessous pour des rampes chauffantes spécifiques. Si les distances de sécurité ne sont pas respectées, une décoloration ou combustion peut avoir lieu.**
 - a. **N'installez pas de rampe chauffante de puissance standard (séries GR, GRA, GRN, GRAL) à moins de 254 mm (10") au-dessus d'une surface combustible.**
 - b. **N'installez pas de rampes chauffantes à haute puissance (séries GRH, GRAH, GRNH, GRAHL) à moins de 343 mm (13 1/2") au-dessus d'une surface combustible.**
 - c. **N'installez pas de doubles rampes chauffantes (séries GRA-xxD, GRAH-xxD, GRAL-xxD et GRAHL-xxD Séries) au-dessus d'une surface combustible.**
 - d. **Installez toutes les rampes chauffantes simples à une distance minimale de 76 mm (3") par rapport aux murs ou surfaces adjacentes combustibles.**

ATTENTION

Assurer un fonctionnement sûr et adapté. Référez-vous aux "Exigences d'approbation minimum" indiquées dans la section Installation de ce manuel.

AVIS

Ne masquez pas une rampe chauffante montée sur un passe-plat avec une sous-face décorative. Une température excessive peut entraîner une panne de l'unité.

Les dommages pouvant être causés au dessus de comptoir par l'équipement de Hatco ne sont pas couverts par la garantie de Hatco. Contactez le fabricant du comptoir pour les informations concernant l'application.

NOTA: Contactez le fabricant du matériel de base du comptoir pour des informations concernant l'application et les limites de température à la surface avant d'installer l'appareil.

1. Retirez l'appareil du carton de livraison et retirez tous les éléments d'emballage.

NOTA: Pour éviter des retards dans l'obtention de la couverture de la garantie, complétez l'enregistrement en ligne de votre garantie. Lisez la section INFORMATIONS IMPORTANTES POUR LE PROPRIÉTAIRE pour plus de détails.

2. Retirez le ruban et l'emballage de protection de toutes les surfaces de l'appareil.

NOTA: Si l'appareil dispose d'un équipement optionnel, lisez la section OPTIONS ET ACCESSOIRES de ce manuel.

3. Installez/montez l'unité dans un endroit approprié.
 - a. Vérifiez que les hauteurs de montage recommandées et les dégagements minimaux exigés soient respectés pour le modèle approprié. Reportez-vous à « Hauteurs recommandées de montage » et « Dégagement minimal requis » dans cette section.
 - b. Pour l'installation d'une unité mobile, reportez-vous à « Installation d'unités mobiles » dans cette section.
 - c. Pour l'installation d'unités suspendues par chaînes, reportez-vous à « Installation d'unités suspendues par des chaînes » dans cette section.
 - d. Pour l'installation d'une unité permanente, reportez-vous à « Installation d'unités permanentes » dans cette section.

Montage Double

Lorsque vous montez des appareils côte à côte, un espace de plus de 76 mm (3") doit être maintenu entre les appareils. Les unités doubles commandés à l'usine sont expédiées avec un espaceur pré-assemblé de 76 mm (3") ou de 152 mm (6").

NOTA: Les unités doubles ne sont disponibles qu'avec des boîtiers en aluminium.

AVIS

L'installation de deux appareils ou plus avec moins de 76 mm (3") entre les boîtiers peut entraîner la défaillance prématurée des composants. L'incapacité à fournir un espacement adapté peut résulter en des dommages aux composants électriques dus à la chaleur qui ne sont pas couverts par la garantie.

Montage sous une étagère

Lorsque vous montez une unité sous une étagère, utilisez des cornières pour assurer un espacement approprié. Les compartiments de contrôle à distance sont recommandés pour maintenir les interrupteurs en dehors de la zone de chaleur et pour éviter toute défaillance prématurée.

Passage des Plats

Si la zone de passe-plat est profonde de 305 mm à 406 mm (12" à 16"), vous pouvez utiliser une unité simple de puissance standard ou de haute puissance. Pour une profondeur de zone de passe-plat de 508 mm à 610 mm (20" à 24"), nous vous recommandons d'utiliser une unité double de puissance standard ou de haute puissance. L'installation d'unités multiples requiert un espacement minimum de 76 mm (3") entre les rampes chauffantes.

Pieds en T ou en C

Les appareils doivent être alimentés en 120 V et équipés d'un cordon et d'une prise d'alimentation. N'installez pas des appareils de plus de 1 829 mm (72") de large sur des pieds en T ou en C.

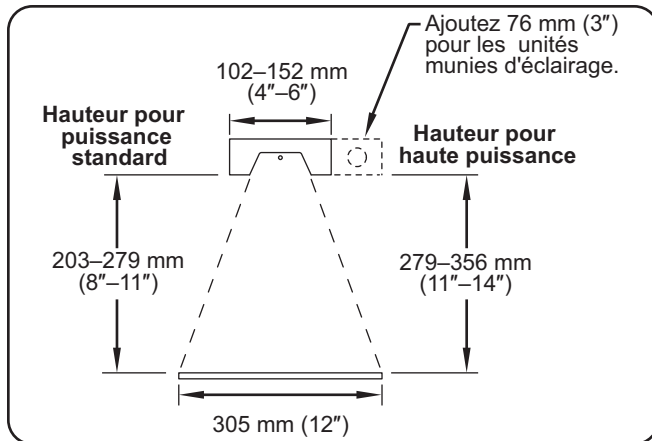
Au-dessus d'un Tableau de Vapeur

Lors du montage au-dessus d'un tableau de vapeur, un compartiment de contrôle à distance doit être installé.

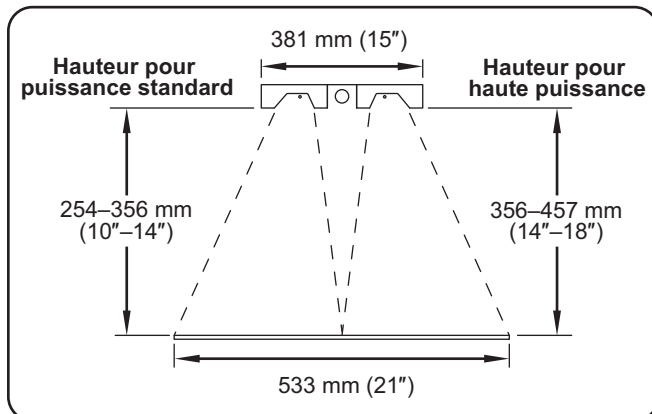
Hauteurs recommandées pour le montage

Les hauteurs recommandées pour le montage sont des recommandations d'Hatco® se basant sur des tests réalisés en usine pour un maintien correct des aliments.

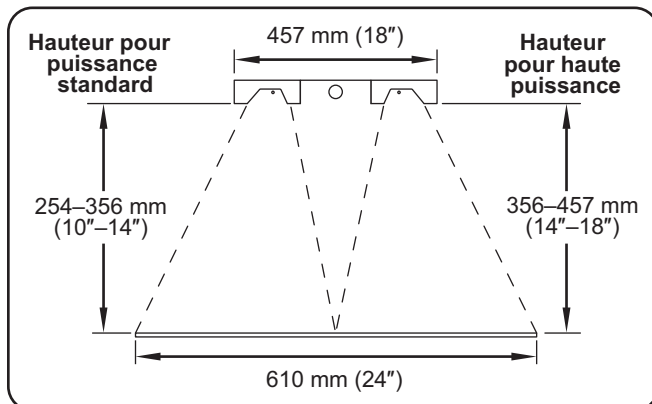
Assurez-vous que la hauteur de montage respecte les exigences en matière de dégagement minimum figurant dans la section « Exigences en matière de dégagement minimum pour les environnements combustibles » ou la section « Exigences en matière de dégagement minimum pour les environnements non combustibles ». Surroundings" in this section.



Hauteur recommandée pour les modèles à un seul élément dans toutes les longueurs.



Hauteur recommandée pour les modèles à deux éléments avec un espacement de 76 mm (3") dans toutes les longueurs.



Hauteur recommandée pour les modèles à deux éléments avec un espacement de 152 mm (6") dans toutes les longueurs.

Exigences en matière de dégagement minimum

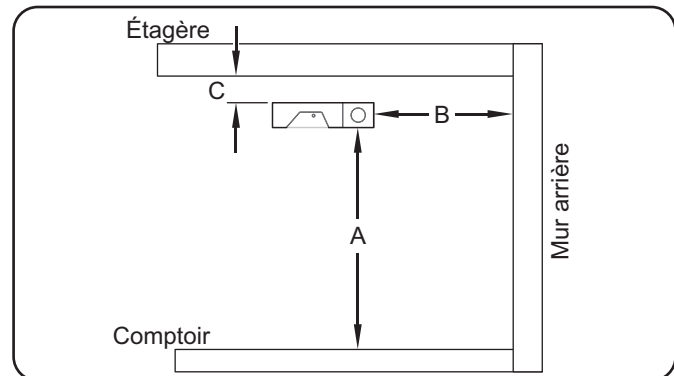
Les exigences en matière de dégagement minimum servent à garantir la sécurité de l'installation et doivent être respectées en conséquence pour les environnements combustibles et non combustibles.

Environnements combustibles

Les exigences en matière de dégagement minimum pour les environnements combustibles servent à éviter un risque d'incendie, une décoloration et une combustion.

Modèles	(A)	(B)	(C)
GR, GRA, GRAL, GRN	254 mm (10")	76 mm (3")	25 mm (1")
GRH, GRAH, GRAHL, GRNH	343 mm (13-1/2")	76 mm (3")	25 mm (1")

NOTA: Les doubles rampes chauffantes ne peuvent pas être installées dans un environnement combustible.



Dégagements obligatoires vis-à-vis des matières combustibles

NOTA: La taille de la zone de chauffe varie en fonction de la hauteur de l'unité.

Environnements non combustibles

Les exigences en matière de dégagement minimum pour les environnements non combustibles servent à éviter une décoloration et une combustion.

Unités avec cordon et interrupteurs intégrés

Modèles	(A)	(B)*	(C)
GR, GRA, GRAL	254 mm (10")	---	76 mm (3")
GRH, GRAH, GRAHL	279 mm (11")	---	76 mm (3")

Unités câblées avec interrupteurs intégrés

Modèles	(A)	(B)*	(C)
GR, GRA, GRAL, GRN	203 mm (8")	---	25 mm (1")
GRH, GRAH, GRAHL Avec la chaleur infinie de contrôle ou de l'indicateur Lumière	254 mm (10")	---	25 mm (1")
GRH, GRAH, GRAHL Avec ON/OFF interrupteur à bascule	203 mm (8")	---	25 mm (1")

Unités câblées avec interrupteurs à distance

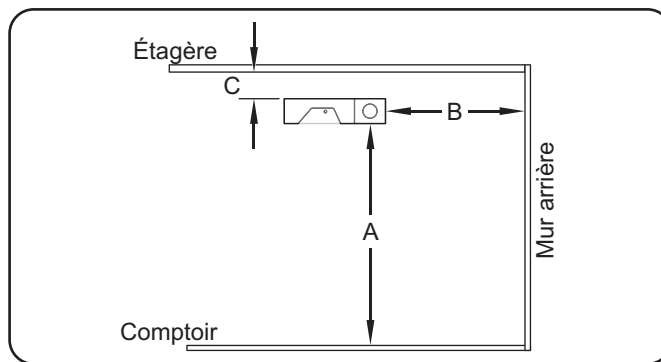
Modèles	(A)	(B)*	(C)
GR, GRA, GRAL, GRN	203 mm (8")	0 mm (0")	0 mm (0")
GRH, GRAH, GRAHL, GRNH	203 mm (8")	0 mm (0")	0 mm (0")

Unités doubles avec interrupteurs intégrés

Modèles	(A)	(B)*	(C)
GRA-xxD GRAH-xxD GRAL-xxD GRAHL-xxD	254 mm (10")	---	25 mm (1")

Unités doubles avec interrupteurs à distance

Modèles	(A)	(B)*	(C)
GRA-xxD GRAH-xxD GRAL-xxD GRAHL-xxD	203 mm (8")	76 mm (3")	0 mm (0")



Dégagements obligatoires vis-à-vis des matières non combustibles

* Doit être une application de passe-plat, non autorisée avec les installations adossées à un mur.

Installation d'unités mobiles

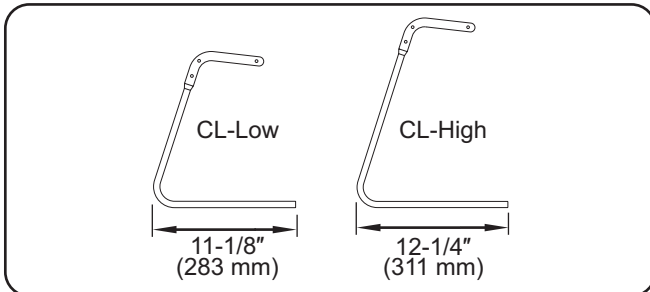
Les rampes chauffantes dont la largeur est inférieure à 1 829 mm (72") peuvent être installées sur des pieds en T ou en C pour un usage portatif. Les unités mobiles sont disponibles en 120 V uniquement et doivent avoir un cordon d'alimentation et une fiche.

NOTA: Les pieds en C ou en T ne doivent pas être utilisés avec les unités à double rampe chauffante.

Installation sur un pied en C

Deux types de pieds en C sont disponibles.

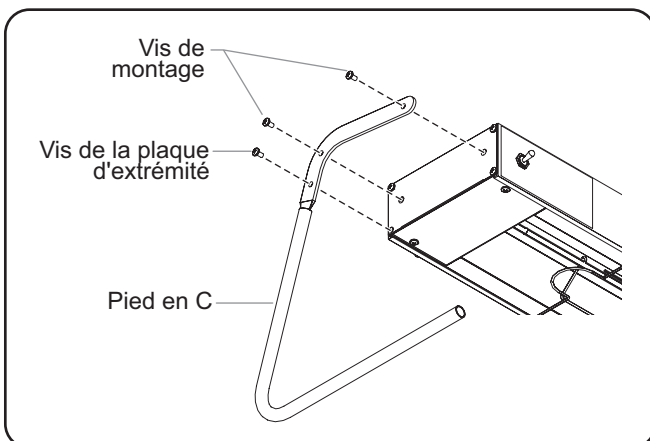
- CL-Low = 10" (254 mm) de hauteur, pour les rampes chauffantes de puissance standard allant jusqu'à 72" (1829 mm) de long uniquement.
- CL-High = 13 1/2" (343 mm) de hauteur, pour les rampes chauffantes de haute puissance allant jusqu'à 72" (1829 mm) de long uniquement.



Dimensions de l'empreinte d'un pied en C

Suivez la procédure suivante pour installer un pied en C à chaque extrémité de l'unité.

1. Positionnez l'unité à l'envers sur une surface plane.
2. Installez le(s) pare-haleine, le cas échéant (voir la section OPTIONS ET ACCESSOIRES pour plus de détails sur l'installation d'un pare-haleine).
3. Retirez les deux vis de montage de la plaque d'extrémité.
4. Retirez la vis de la plaque d'extrémité qui s'aligne avec le trou de montage le plus bas sur le pied en C.
5. Alignez les trois trous de montage du pied en C avec les trois trous sur l'unité. Fixez le pied à l'unité avec les trois vis retirées lors des étapes précédentes.

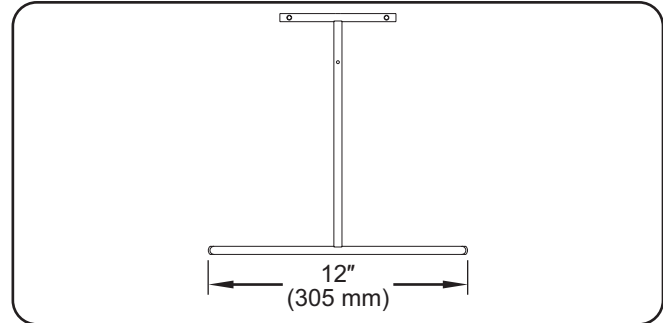


Pied en C

Installation sur un pied en T

Les pieds en T sont disponibles avec les hauteurs suivantes :

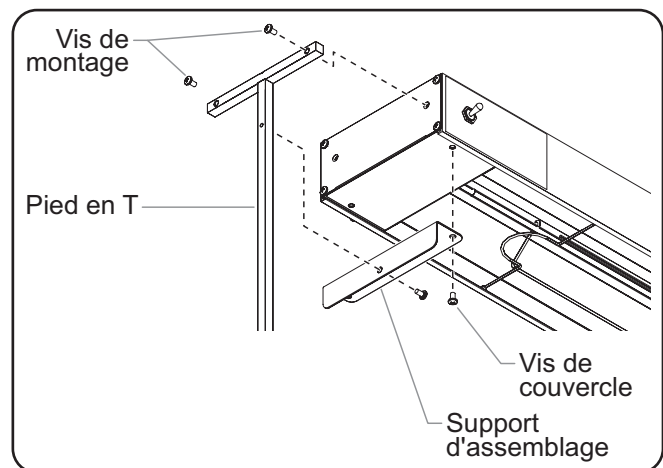
- Unités de puissance standard = 10" (254 mm)
- Unités de forte puissance = 13-1/2" (343 mm)
16" (406 mm)
18" (457 mm).



Dimensions de l'empreinte d'un pied en T

Suivez la procédure suivante pour installer un pied en T à chaque extrémité de l'unité.

1. Positionnez l'unité à l'envers sur une surface plane.
2. Installez le(s) pare-haleine, le cas échéant (voir la section OPTIONS ET ACCESSOIRES pour plus de détails sur l'installation d'un pare-haleine).
3. Alignez le support de montage avec le couvercle d'extrémité sur la face inférieure de l'unité et ôtez de la plaque d'extrémité les deux vis qui correspondent aux trous sur le support de montage.
4. Fixez le support à l'unité avec les deux vis de la plaque d'extrémité.
5. Retirez les deux vis de montage de la plaque d'extrémité.
6. Alignez les deux trous de montage sur le petit « T » du pied en T avec les deux trous des vis de montage sur la plaque d'extrémité. Fixez le pied à l'appareil à l'aide des deux vis de montage que vous avez enlevées.
7. Alignez le trou de montage unique sur le montant vertical du pied en T avec le trou sur le support de montage. Vissez de l'intérieur avec les vis fournies.



Montage du pied en T à l'extrémité de la rampe

Installation d'unités suspendues à des chaînes

Le montage en suspension sur chaînes permet de fixer une rampe chauffante sur la surface supérieure à l'aide de languettes de support et de crochets en « S ».

NOTA: Les appareils commandés avec les crochets en « S » en option sont livrés avec le bon nombre de languettes de support, deux crochets en « S » et deux pièces de chaîne de raccord de 152 mm (6"). Une chaîne supplémentaire (P/N 05.03.020.00) peut être commandée auprès d'Hatco pour le système de montage du dessus, ou une autre option peut être déterminée par un installateur qualifié.

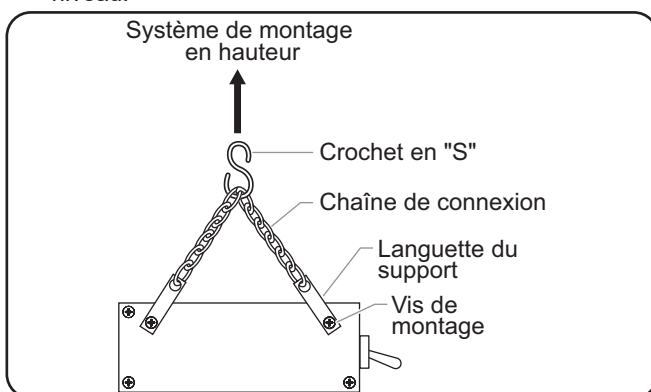
⚠ AVERTISSEMENT

Pour l'installation avec des chaînes, assurez-vous que les chaînes sont suffisamment résistantes et qu'elles sont solidement fixées à la fois sur l'appareil et sur le support de montage. Des chaînes mal installées peuvent entraîner le relâchement et la chute du réchauffeur. Ne rien placer sur le dessus des réchauffeurs installés avec des chaînes.

Assurer un fonctionnement sûr et adapté. Référez-vous aux "Exigences d'approbation minimum" indiquées dans la section Installation de ce manuel.

NOTA: La résistance de la chaîne fournie par Hatco est suffisante pour retenir le poids de l'unité de manière sûre, uniquement pour un montage adapté.

1. Préparez le système de montage supérieur pour les crochets en "S". Assurez-vous que le système est sécurisé et est installé de manière à ce que l'appareil soit suspendu à un niveau et à une distance sécurisée et adaptée des murs, du comptoir et des aliments.
2. Sur chaque extrémité de l'appareil :
 - a. Retirez les deux vis de montage de la plaque d'extrémité.
 - b. Fixez une languette de support sur chaque trou de vis de montage à l'aide des vis de montage que vous avez enlevées.
4. Attachez solidement une des chaînes de connexion de 152 mm (6") entre chaque paire de languettes de support.
5. Attachez un crochet en "S" au centre de chaque chaîne de connexion.
6. Levez l'appareil avec précaution et attachez les crochets en "S" à chaque extrémité de l'appareil au système de montage supérieur. Assurez-vous que l'appareil est à niveau.



Montage du crochet en "S"

Installation d'unités permanentes

Les unités chauffantes peuvent être montées de façon permanente en utilisant des pieds tubulaires ou des cornières. Les unités permanentes ne sont pas disponibles avec un cordon d'alimentation et une fiche. Reportez-vous à la section appropriée sur le montage permanent pour connaître la procédure d'installation.

Montage du support tubulaire

Les pieds tubulaires fixent définitivement l'unité à un comptoir ou une table de service. Tout le câblage peut être dissimulé dans un des pieds tubulaires.

⚠ ATTENTION

Assurer un fonctionnement sûr et adapté. Référez-vous aux "Exigences d'approbation minimum" indiquées dans la section Installation de ce manuel.

Les pieds tubulaires non réglables sont disponibles en aluminium, en couleurs Designer ou avec une finition brillante, et avec une hauteur de 10" à 16" (254 à 406 mm). Les pieds tubulaires réglables sont disponibles en acier inoxydable avec une hauteur de 10" à 14" (254 à 356 mm).

NOTA: Les supports tubulaires ne peuvent pas être mis à niveau dans la zone.

NOTA: Si le câblage doit être dissimulé, un trou de 1 po (25 mm) de diamètre devra être créé dans la surface de montage et centré sous le pied contenant le conduit de câblage.

1. Positionnez l'appareil à l'envers sur une surface plate.

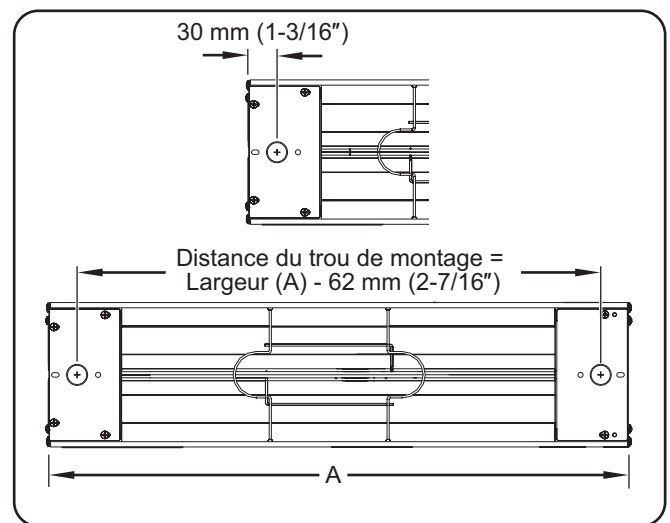
NOTA: Les unités pour cette application sont fournis avec la conduite attachée à un des côtés de l'appareil. La conduite ne doit pas être retirée.

2. Le cas échéant, préparez la surface de montage pour la dissimulation des câbles.

- a. Percez un trou de 1" (25 mm) de diamètre dans la surface de montage à l'endroit approprié.

NOTA: La distance entre le centre des deux pieds est obtenue en soustrayant 2 7/16" (62 mm) de la largeur totale de la rampe chauffante.

- b. Faites passer le conduit flexible dans le pied tubulaire et dans la surface de montage.



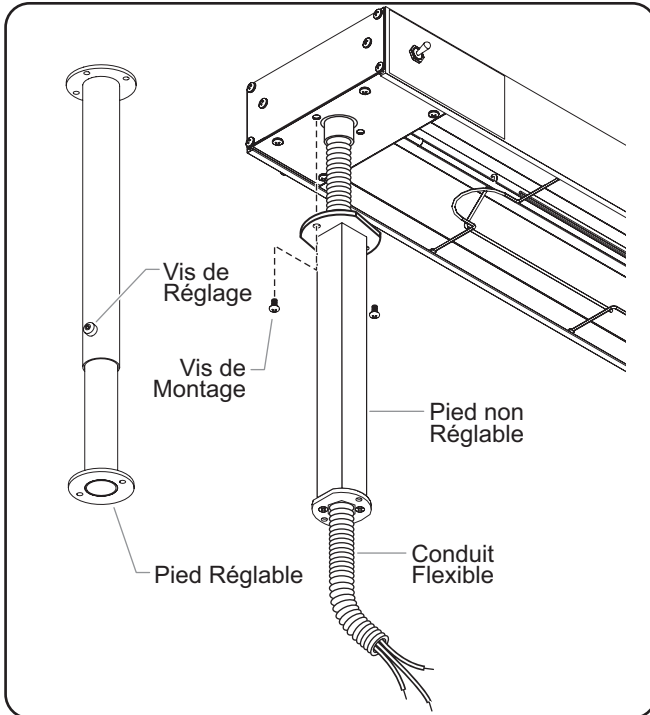
Dimension du trou pour le conduit

continué...

- Fixez le pied qui contient la conduite à l'unité grâce aux vis fournies.
- Alignez le pied du côté opposé avec les trous de montage à l'autre extrémité de l'unité et fixez-le avec les vis fournies.
- Fixez les pieds à la surface de montage.

NOTA: Les pieds réglables peuvent être élevés ou abaissés en tournant d'un tour la vis de blocage dans le sens antihoraire avec une clé hexagonale. Après avoir desserré la vis de réglage, ajustez la hauteur de l'unité à la hauteur désirée et resserrez la vis. Ne desserrez pas la vis plus que nécessaire.

NOTA: Deux paires de supports tubulaires seront nécessaires pour monter les unités doubles.



Montage du support tubulaire

Montage de la cornière

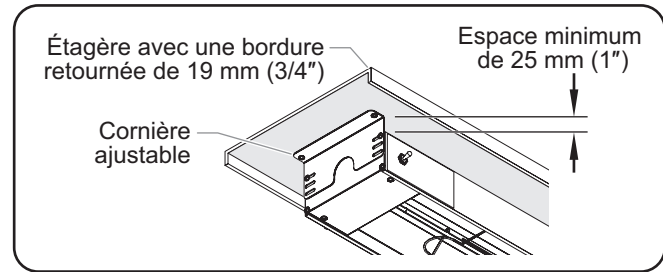
Le montage d'une rampe chauffante avec des cornières réglables fixe de manière permanente l'appareil sur le côté inférieur d'un plateau. Les appareils peuvent être montés sur un plateau plat ou sur un plateau avec des bordures enroulées ou retournées. Les cornières réglables fournissent l'espace nécessaire entre l'appareil et un plateau combustible.



Assurer un fonctionnement sûr et adapté. Référez-vous aux "Exigences d'approbation minimum" indiquées dans la section Installation de ce manuel.

NOTA: Lors du montage de l'unité sous une étagère, il est recommandé d'utiliser des interrupteurs de commande à distance.

Utilisez les cornières de réglage (en option) pour monter l'unité sous la partie la plus basse de la bordure d'étagère enroulée ou retournée (un espace minimum de 25 mm [1"] est nécessaire entre l'unité et le dessous d'une étagère enroulée ou retournée pour éviter que la chaleur n'endommage le système électrique de l'unité).



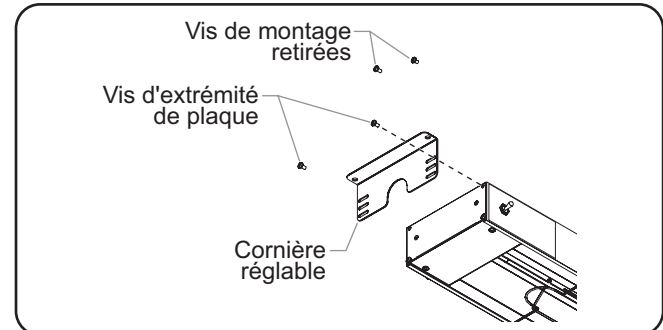
Installation d'une étagère à bordure retournée

NOTA: Les unités de série GRN sont fournies avec des cornières de couleur Designer appariée qui assurent un dégagement de 38 mm (1-1/2") entre la rampe chauffante et l'étagère.

Montage avec cornières réglable sur les modèles en aluminium

Utilisez la procédure suivante pour installer des cornières réglables à chaque extrémité des modèles à boîtier en aluminium (GRA, GRAH, GRAL, et GRAHL).

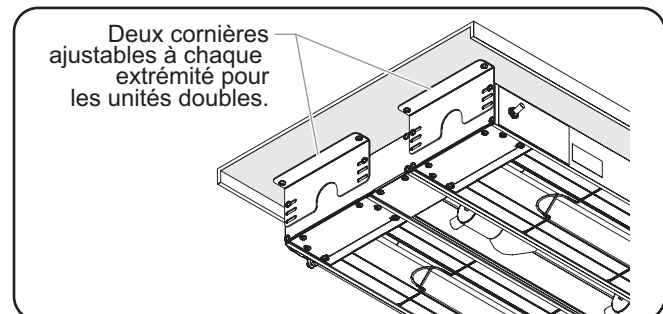
- Positionnez l'unité sur une surface plate, les éléments chauffants face au sol.
- Retirez et jetez les deux vis de montage de la plaque d'extrémité.
- Retirez les deux vis de la plaque de l'extrémité supérieure.
- Alignez les cornières ajustables aux trous de montage de la plaque de l'extrémité de l'appareil. Sécurisez la cornière avec les vis retirées précédemment de la plaque de l'extrémité.



Installation des cornières réglables pour modèle en aluminium

- Fixez la cornière sous l'étagère en utilisant les fixations adaptées (non fournies par Hatco®).

NOTA: Deux paires de supports seront nécessaires pour les unités doubles.

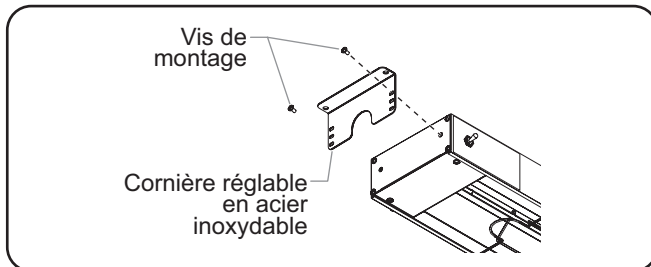


Montage des unités doubles

Montage avec cornières réglables sur les modèles en acier inoxydable

Utilisez la procédure suivante pour installer les cornières réglables à chaque extrémité du boîtier en acier inoxydable pour les modèles concernés (GR et GRH).

1. Positionnez l'unité sur une surface plane, l'élément chauffant face au sol.
2. Retirez les deux vis de montage de la plaque d'extrémité.
3. Alignez la cornière ajustable avec les trous de vis de montage sur l'appareil.
4. Fixez la cornière ajustable à l'aide des vis de montage que vous avez enlevées.
5. Fixez la cornière sous l'étagère en utilisant les fixations adaptées (non fournies par Hatco).



Installation de la cornière réglable pour modèle en acier inoxydable

Informations sur le câblage électrique

Référez-vous au diagramme de câblage fourni avec l'appareil et à l'étiquette de spécification attachée à l'appareil pour obtenir des informations spécifiques concernant l'électricité. En outre, se référer à la "Electrical Rating Charts" document sur la page Rampes Chauffantes à Infrarouge sur la site Hatco (www.hatcocorp.com).

⚠ AVERTISSEMENT

DANGER DE DÉCHARGE ÉLECTRIQUE: Pour les appareil câblés, toutes les connexions électriques doivent être conformes aux codes électriques locaux et à tous les autres codes applicables. Les connexions doivent être effectuées par un électricien qualifié et agréé.

NOTA: Si l'appareil à installer n'apparaît pas dans ce manuel, référez-vous au diagramme de câblage fourni avec l'appareil et les informations d'installation de l'appareil pour plus d'informations.

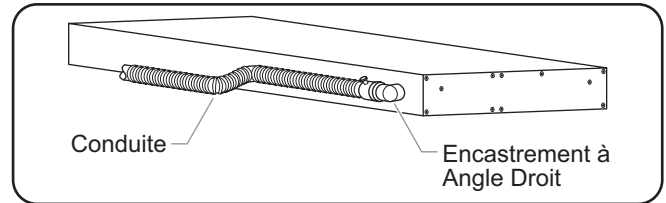
Alimentation électrique

Installez un câble d'alimentation et des connecteurs adaptés pour une température d'au moins 90°C (194°F).

- Utilisez au minimum un câble en cuivre n°14 AWG pour les circuits individuels allant jusqu'à 15 ampères.
- Utilisez au minimum un câble en cuivre n°12 AWG pour les circuits individuels allant de 15 à 20 ampères.
- Utilisez au minimum un câble en cuivre n°10 AWG pour les circuits individuels allant de 20 à 25 ampères.
- Utilisez au minimum un câble en cuivre n°8 AWG pour les circuits individuels allant de 25 à 30 ampères.

Connexion de la conduite

Les connexions des appareils fournis avec une conduite correspondant au bon angle et flexible ont toutes été réalisées à l'usine. Raccorder à la bonne alimentation électrique mène à de hautes températures dans les câbles électriques dans la conduite.



Connexion de la conduite

NOTA: Référez-vous au diagramme de câblage fourni avec l'appareil et à l'étiquette de spécification attachée à l'appareil pour obtenir des informations spécifiques concernant l'électricité.

Modèles à cordon d'alimentation et fiches électriques

Les unités peuvent être livrées munies d'un cordon d'alimentation de 1 829 mm (72") et d'une fiche installée à l'usine si l'appareil est conforme aux directives suivantes :

- Unité de 120 volts
- Élément chauffant unique
- Largeur de 1 829 mm (72") ou moins
- Interrupteur intégré
- Montage mobile utilisant les pieds en C ou en T fournis par Hatco, ou montage fixe utilisant les crochets en S et les chaînes de montage fournis par Hatco.

NOTA: Les unités destinées à une installation fixe ou permanente ne peuvent pas être munies d'un cordon d'alimentation et doivent être câblées selon les codes électriques locaux et nationaux.

Boîtiers de commande à distance

Les boîtiers de commande à distance de Hatco® comportent des interrupteurs, des câbles électriques et/ou des indicateurs lumineux et sont expédiés prêts pour l'installation.

AVIS

Pour éviter une défaillance prématurée des composants due à une chaleur excessive, les boîtiers et les interrupteurs de commande à distance doivent être installés à l'extérieur de la zone de chaleur des rampes chauffantes.

La série RMB nécessite un boîtier de commande à distance par réchauffeur de bande. La série RMB2 permet à plusieurs réchauffeurs de bande d'être connectés à un boîtier de commande à distance.

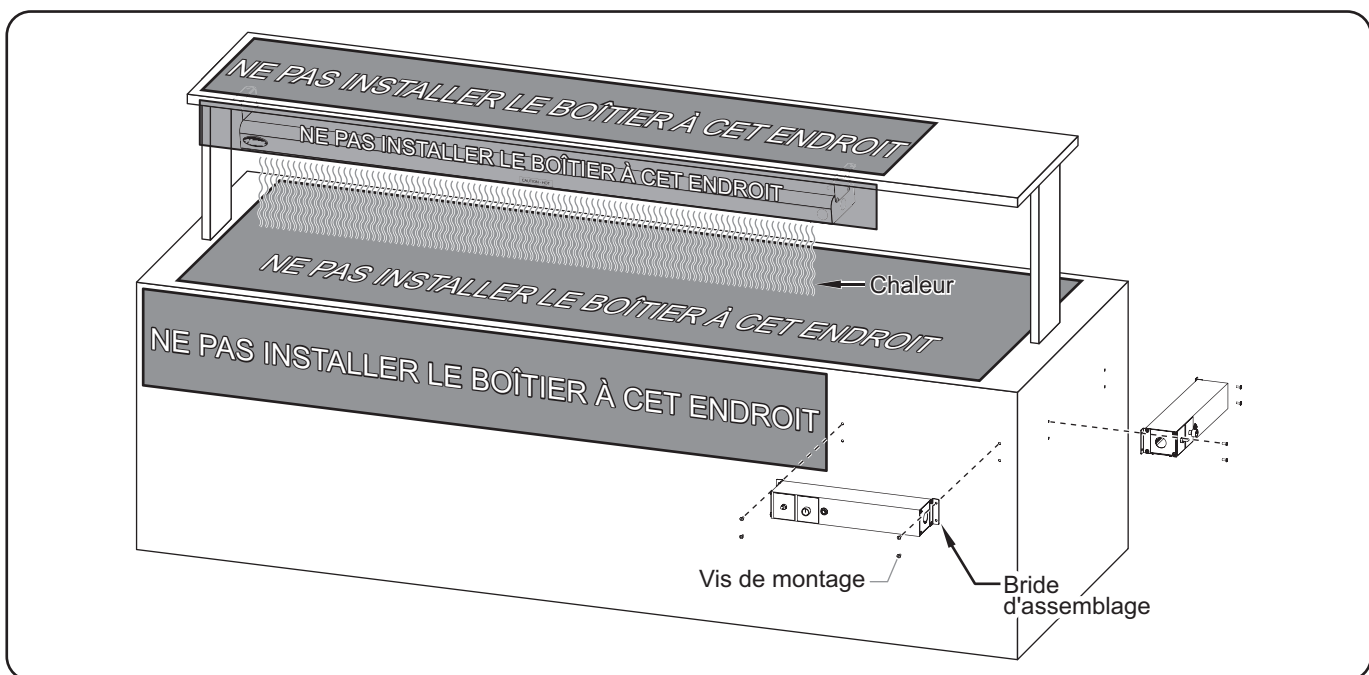
NOTA: Des boîtiers de commande à distance sont disponibles en plusieurs configurations selon le modèle. Tous les boîtiers sont construits conformément aux normes UL pour accueillir les interrupteurs, les voyants et le câblage. Pour plus de détails, consultez la section OPTIONS ET ACCESSOIRES.

REMARQUE IMPORTANTE: Les interrupteurs et les boîtiers de commande montés à distance doivent être installés dans un endroit frais et sec aussi loin que possible de toute zone de chaleur. **N'installez pas les interrupteurs ou les boîtiers directement sur, en dessous, autour ou au-dessus de l'appareil.** Ne montez pas les interrupteurs ou les boîtiers de commande directement en contact avec une surface chauffée ou près d'un équipement générant de la vapeur.

Interrupteurs de commande à distance installés

Les interrupteurs de commande à distance, en option, incluent les interrupteurs MARCHÉ/ARRÊT et les interrupteurs de commande en continu. Ces interrupteurs doivent être installés par un électricien qualifié dans une boîte/un boîtier électrique approuvé (non fourni). Pour plus de détails, consultez la section OPTIONS ET ACCESSOIRES.

NOTA: Lorsque deux appareils ou plus sont montés là où la chaleur d'un boîtier tend à augmenter la température d'un autre, les interrupteurs de contrôle doivent être installés dans un boîtier de commande à distance. Les appareils dans une installation multiple doivent utiliser des boîtiers de contrôle à distance.



Emplacements pour l'installation du boîtier de commande à distance intégré

Généralités

Les rampes chauffantes à infrarouge Glo-Ray® sont conçues pour une utilisation facile. Utilisez les informations et les procédures suivantes pour faire fonctionner l'appareil.

⚠ AVERTISSEMENT

Lire tous les messages de sécurité de la section **CONSIGNES DE SÉCURITÉ IMPORTANTES** avant d'utiliser ce matériel.

⚠ ATTENTION

DANGER DE BRÛLURE: Certaines surfaces extérieures de l'appareil deviennent chaudes. Toucher ces zones de l'appareil avec précaution.

Les graisses standards et approuvées utilisées lors de la fabrication peuvent provoquer des fumées au cours du démarrage initial pendant 30 minutes. Il s'agit d'un état temporaire. Utilisez l'appareil sans produit alimentaire jusqu'à ce que la fumée disparaisse.

Contrôles

Les rampes chauffantes sont livrées standard avec des commandes montées sur l'unité, ou avec des commandes à distance en option. Vous trouverez ci-dessous la liste des commandes disponibles pour les rampes chauffantes.

Interrupteur à bascule I/O (marche/arrêt)—Allume et éteint les éléments chauffants et/ou les lumières.

Contrôle infini—Coupe l'alimentation et contrôle la température des éléments chauffants. La commande en continu est disponible soit intégrée, soit dans un boîtier de commande à distance.

NOTA: Les unités doubles ne peuvent pas être équipées de commandes en continu intégrées.

Interrupteur à bascule I/O (marche/arrêt) de l'éclairage—Allume ou éteint les lumières.

Indicateur lumineux—Éclaire lorsque le courant est allumé, éteint lorsque le courant est éteint.

NOTA: Les appareils doubles nécessitent des témoins lumineux à distance.

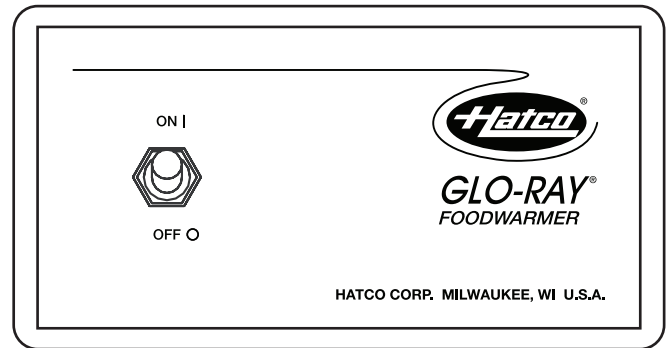
NOTA: Les interrupteurs à levier ne peuvent pas être utilisés sur des circuits qui dépassent 15 ampères. La commande en continu ne peut pas être utilisée sur des circuits qui dépassent 12,2 ampères.

Démarrage

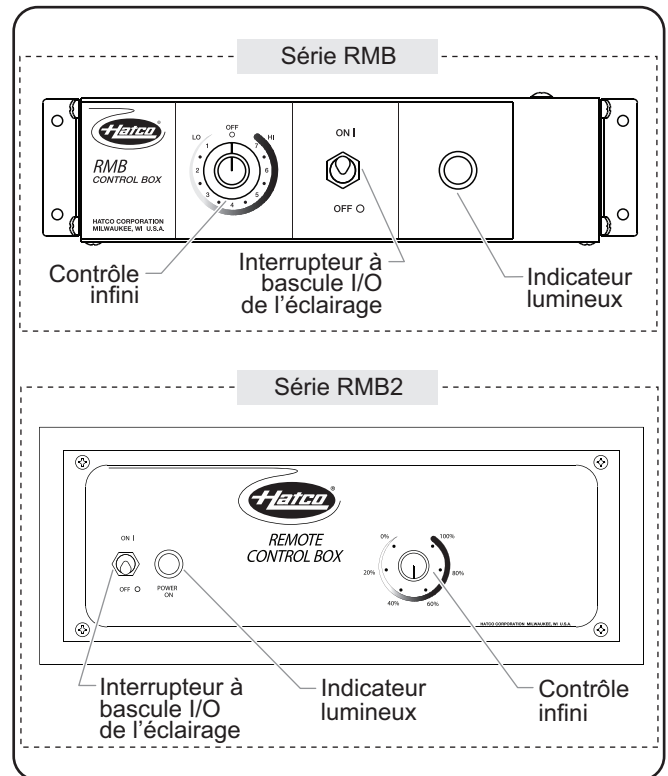
- Allumez l'élément chauffant (ou les éléments chauffants). L'indicateur lumineux (si l'unité est en équipée) s'éclairera, et les éléments chauffants seront alimentés.
 - Si l'unité est équipée d'un interrupteur à bascule I/O (marche/arrêt), placez-le en position **I** (marche).
 - Si l'unité est équipée de commande(s) en continu (en option), tournez la commande sur le réglage désiré.

NOTA: Atteindre la température de fonctionnement demande 15-20 minutes.

- Sur les modèles équipés d'éclairage, placez l'interrupteur à bascule I/O (marche/arrêt) de l'éclairage en position **I** (marche/arrêt).



Panneau de configuration avec interrupteur à bascule MARCHÉ/ARRÊT (I/O)



Compartiments de contrôle à distance

NOTA: Référez-vous à la section OPTIONS ET ACCESSOIRES pour des informations sur les compartiments de contrôle à distance.

Arrêt

- Placez l'interrupteur à bascule I/O (marche/arrêt) sur la position **O** (arrêt) et/ou placez le(s) contrôle(s) infini(s) sur la position **O** (arrêt).
 - L'indicateur lumineux (s'il est équipé) s'éteindra, et les éléments chauffants s'éteindront.
- Pour des appareils avec des lumières d'affichage, placez interrupteur à bascule I/O (marche/arrêt) de l'éclairage sur la position **O** (arrêt).

Généralités

Les rampes chauffantes à infrarouge Glo-Ray® sont conçues pour une durabilité et des performances maximum, avec un entretien minimum.

AVERTISSEMENT

DANGER DE DÉCHARGE ÉLECTRIQUE :

- Tournez le interrupteur sur « ARRÊT » pour éteindre la rampe, débranchez le cordon d'alimentation/coupez le courant au disjoncteur et laissez refroidir l'unité avant d'effectuer toute opération de nettoyage, de réglage ou d'entretien.
- **NE PAS immerger l'appareil ni le saturer d'eau.** L'appareil n'est pas étanche à l'eau. Ne pas le faire fonctionner s'il a été immergé ou saturé d'eau.
- **Ne pas nettoyer à la vapeur ni utiliser trop d'eau sur l'appareil.**
- **Cet appareil n'est pas étanche aux jets. Ne pas utiliser de jet sous pression pour nettoyer l'appareil.**
- **Utilisez uniquement des pièces de rechange d'origine Hatco®** lorsque l'entretien est nécessaire. **Utilisez des pièces détachées Hatco authentiques sous peine d'annuler toutes les garanties et d'exposer l'utilisateur à des tensions électriques dangereuses pouvant entraîner une électrocution ou des brûlures.** Les pièces de rechange authentiques Hatco sont spécifiées pour fonctionner en toute sécurité dans les environnements dans lesquels elles sont utilisées. Certaines pièces de rechange génériques ou d'après-vente n'ont pas les caractéristiques qui leur permettent d'opérer en toute sécurité dans les équipements Hatco.

Cet appareil ne contient aucune pièce réparable par l'utilisateur. Si cet appareil doit être réparé, contacter un réparateur Hatco agréé ou le Service après-vente Hatco au +1-414-671-6350.

Nettoyage quotidien

Pour préserver la finition de la rampe chauffante à infrarouge Glo-Ray, effectuez la procédure de nettoyage suivante quotidiennement.

AVIS

Utilisez seulement des nettoyants non abrasifs et des chiffons doux. Les chiffons et nettoyant abrasifs pourraient érafler la finition de l'unité, entachant son apparence et la rendant susceptible à l'accumulation de saleté.

IMPORTANT: N'utilisez PAS de serviettes en papier ou de nettoyant pour vitres pour nettoyer les surfaces en plastique. Les serviettes en papier et le nettoyant pour vitres peuvent rayer l'équipement. Essayez les surfaces en plastique à l'aide d'un chiffon doux, propre et humide.

1. Éteindre l'appareil, débrancher le cordon d'alimentation et laisser refroidir l'appareil.
2. Essayez toutes les surfaces métalliques avec un tissu doux humide. Les taches tenaces s'enlèvent avec un bon nettoyant non abrasif. Nettoyer les zones difficiles d'accès avec une petite brosse et du savon doux.
3. Essayez l'intégralité de l'unité en utilisant un chiffon doux et sec.
4. Si votre appareil est équipé de pare-haleines en plastique, nettoyez-les à l'aide d'un chiffon doux, de savon doux et d'eau. **AVIS: N'utilisez pas de serviette en papier ou un nettoyant pour vitres sur des surfaces en plastique. Leur contact pourrait rayer votre matériel.**

Remplacement du tube d'éclairage

AVERTISSEMENT

N'utiliser que des ampoules électriques qui correspondent ou qui surpassent les standards de la Fondation Nationale des Affaires Sanitaires (NSF) et qui sont spécifiquement conçues pour les espaces de conservation des aliments. La casse d'ampoules électriques non enduites de manière spécifique pourrait entraîner des lésions corporelles et/ou une contamination des aliments.

La lumière de la vitrine est assurée par une ampoule à incandescence ou à halogène, en option, qui éclaire l'espace de chauffage. Cette ampoule a un enduit spécial pour éviter toute blessure et toute contamination des éléments en cas de casse.

Pour remplacer une ampoule lumineuse :

1. Déconnectez l'alimentation électrique et attendez que l'appareil soit refroidi.
2. Dévissez l'ampoule d'éclairage de l'appareil et remplacez-la par une nouvelle ampoule à incandescence ou à halogène, en option, spécialement enduite.

NOTA: Les ampoules lumineuses résistantes aux chocs d'Hatco répondent aux standards de la NSF pour la conservation de la nourriture et des zones d'étalage. Pour les applications 120, 120/208, et 120/240 volts, utilisez P/N 02.30.265.00 d'Hatco.

NOTA: Les ampoules halogènes sont disponibles en option. Pour les applications 120, 120/208, et 120/240 volts, utilisez les pièces numéro 02.30.081.00 d'Hatco.

⚠ AVERTISSEMENT

La réparation de cet appareil doit être confiée exclusivement à du personnel qualifié. Les réparations par des personnes non qualifiées peuvent provoquer des décharges électriques et des brûlures.

⚠ AVERTISSEMENT

Tournez le interrupteur sur « ARRÊT » pour éteindre la rampe, débranchez le cordon d'alimentation/coupez le courant au disjoncteur et laissez refroidir l'unité avant d'effectuer toute opération de nettoyage, de réglage ou d'entretien.

Symptômes	Causes Probables	Action Correctrice
L'appareil est sur ON, mais il n'y a pas de chaleur.	Pas d'alimentation au niveau de l'appareil.	Vérifiez le disjoncteur et redémarrez si nécessaire.
	L'interrupteur est défectueux.	Contactez votre agent de maintenance agréé ou Hatco.
	Le câblage est ouvert.	
	Élément chauffant défectueux.	
La chaleur est inadaptée.	L'appareil est monté trop haut par rapport à la zone cible.	Baissez l'appareil, permettant de cibler plus efficacement la chaleur.
	Mouvement d'air excessif autour de la zone cible du réchauffeur de bande.	Restreignez ou redirigez le mouvement de l'air (conduit d'air conditionné ou ventilateur) à distance de l'appareil.
	Alimentation électrique incorrecte (basse).	Vérifiez l'alimentation électrique de l'appareil, assurez-vous qu'il corresponde aux valeurs sur l'appareil. Si l'alimentation électrique est incorrecte, changez pour correspondre aux valeurs sur l'appareil.
La chaleur est excessive.	L'appareil est monté trop près de la zone cible.	Vérifiez pour vérifier que l'installation est conforme aux spécifications pour le type/modèle Augmentez la hauteur du montage s'il est trop proche.
	La tension est trop élevée.	Vérifiez l'alimentation électrique de l'appareil, assurez-vous qu'il corresponde aux valeurs sur l'appareil. Si l'alimentation électrique est incorrecte, changez pour correspondre aux valeurs.
Les interrupteurs de commande ont grillé.	L'unité n'a pas été installée correctement.	Déplacez l'unité à bonne distance des murs, comptoirs, et/ou étagères de passe-plat. Reportez-vous à la section INSTALLATION pour obtenir des directives.
	Le boîtier de commande à distance est installé trop près de la zone de chauffe.	Éloignez le boîtier de commande de la zone de chauffe.
	Les interrupteurs utilisés ne sont pas fournis par Hatco.	Les pièces authentiques Hatco sont conçues pour fonctionner de manière sûre et adaptée dans l'environnement dans lequel elles sont utilisées. Contactez un agent agréé ou Hatco pour remplacer des interrupteurs par des pièces de remplacement authentiques Hatco.

Vous avez des questions en ce qui concerne les pannes?

Si le problème persiste, veuillez contacter l'agence d'entretien agréée Hatco la plus proche ou Hatco pour obtenir une assistance. Pour trouver l'agence d'entretien la plus proche, rendez-vous sur le site Internet de Hatco (www.hatcocorp.com) et sélectionnez le menu déroulant *Support (Assistance)*, puis cliquez sur « Find A Service Agent » (trouver un agent d'entretien); ou contactez l'équipe d'entretien et de pièces détachées de Hatco:

Numéro de téléphone: +1-414-671-6350

Courriel: support@hatcocorp.com

Compartiment de contrôle à distance—RMB

Les compartiments de contrôle à distance de la série RMB sont disponibles dans des tailles et des configurations différentes pour une utilisation avec des réchauffeurs de bande. Les compartiments de contrôle à distance déplacent les contrôles à distance de la chaleur constante de l'appareil, augmentant la longévité des contrôles. Tous les modèles sont construits conformément aux standards UL avec des interrupteurs, des indicateurs lumineux et des câblages. Consultez l'usine pour connaître le type et l'emplacement des contrôles de la série RMB pour le compartiment.

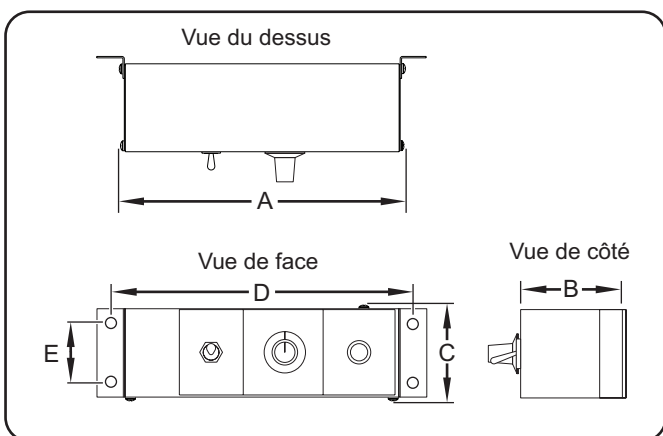
NOTA: Les compartiments de contrôle à distance de la série RMB nécessitent un compartiment de contrôle à distance par réchauffeur de bande.

1. Déterminez la zone de montage du boîtier RMB.

REMARQUE IMPORTANTE:

Les interrupteurs et les boîtiers de commande montés à distance doivent être installés dans un endroit frais et sec aussi loin que possible de toute zone de chaleur. **N'installez pas les interrupteurs ou les boîtiers directement sur, en dessous, autour ou au-dessus de l'appareil.** Ne montez pas les interrupteurs ou les boîtiers de commande directement en contact avec une surface chauffée ou près d'un équipement générant de la vapeur.

Modèle	Largeur (A)	Profondeur (B)	Hauteur (C)	Largeur de la vis (D)	Hauteur de la vis (E)
RMB-3 Série	150 mm (5-15/16")	76 mm (3")	67 mm (2-5/8")	6-5/16" (161 mm)	1-5/8" (41 mm)
RMB-7 Série	239 mm (9-3/8")	76 mm (3")	67 mm (2-5/8")	9-13/16" (249 mm)	1-5/8" (41 mm)
RMB-14 Série	366 mm (14-3/8")	76 mm (3")	67 mm (2-5/8")	14-13/16" (376 mm)	1-5/8" (41 mm)
RMB-16 Série	417 mm (16-3/8")	76 mm (3")	67 mm (2-5/8")	16-13/16" (427 mm)	1-5/8" (41 mm)
RMB-20 Série	518 mm (20-3/8")	76 mm (3")	67 mm (2-5/8")	20-13/16" (529 mm)	1-5/8" (41 mm)



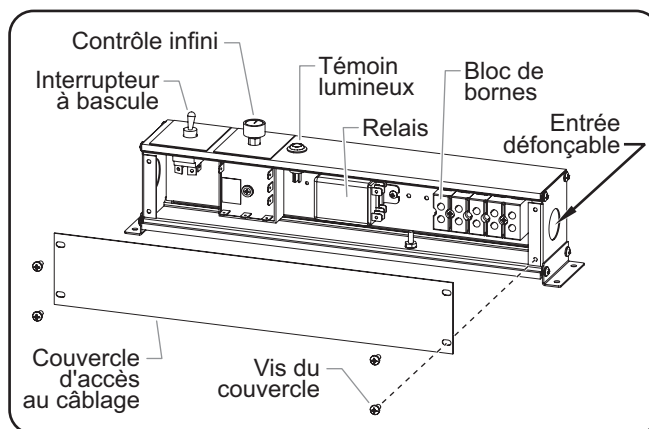
Dimensions de la série RMB

2. Installez le boîtier RMB sur la surface de montage en utilisant les vis ou les fixations appropriées.

- Utilisez la bride de montage à chaque extrémité du boîtier RMB.

NOTA: Le dimensionnement des câbles d'alimentation et la protection contre les surtensions en amont doivent être conformes aux exigences du Code national de l'électricité américain (NEC) et de tous les codes locaux.

3. Enlevez le couvercle d'accès au câblage sur le dessous du boîtier de commande en retirant les vis et en faisant glisser le couvercle.
4. Repérez et retirez les entrées défonçables appropriées du boîtier de commande pour le raccordement électrique.
5. Fixez des raccords de conduit aux entrées défonçables du boîtier de commande.



Enlever le couvercle d'accès au câblage

6. Procédez au raccordement électrique entre l'appareil et les bornes de sortie du bornier ou les câbles électriques à l'intérieur du boîtier de commande. Consultez les schémas de câblage inclus avec l'appareil et le boîtier de commande RMB.

NOTA: Pour mettre à la terre le boîtier RMB, utilisez un fil séparé de mise à la terre, un conduit métallique ou une autre méthode conforme au Code national de l'électricité américain (NEC) ou au Code canadien de l'électricité (CEC).

7. Attachez tous les fils de mise à la terre (fils verts et/ou verts/jaunes) ensemble avec un serre-fils homologué UL.
8. Procédez au raccordement électrique entre l'alimentation et les bornes d'entrée du bornier ou les câbles électriques à l'intérieur du boîtier de commande. Consultez les schémas de câblage inclus avec le boîtier de commande RMB.

NOTA: Vérifiez quels câbles électriques du présentoir sont des connecteurs de phase, neutre et/ou d'éclairage, selon le cas.

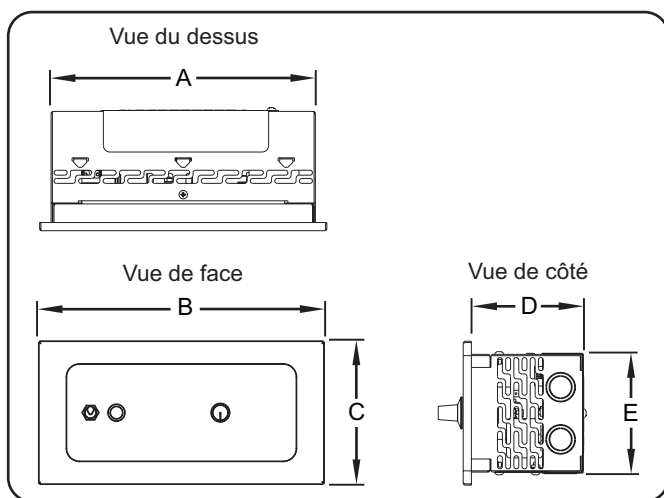
9. Assurez-vous que tous les raccordements sont bien serrés et fixez les deux conduits aux raccords de conduit.
10. Remettez le couvercle d'accès au câblage sur le dessous du boîtier de commande.
11. Mettez l'interrupteur-sectionneur à fusibles/le disjoncteur sous tension, allumez l'appareil et vérifiez son fonctionnement.

Compartiment de contrôle à distance—RMB2

Les compartiments de contrôle à distance de la série RMB2 permettent à plusieurs réchauffeurs de bande d'être câblés et contrôlés par un compartiment unique. L'ampérage total de tous les réchauffeurs de bande connectés ne peut pas excéder la notation du compartiment de contrôle à distance. Consultez l'usine pour des informations concernant le compartiment de contrôle à distance de la série RMB2 adapté pour une application spécifique. Pour plus d'informations sur l'installation, consultez la fiche d'instructions incluse avec le boîtier de commande.

Dimensions de la série RMB2

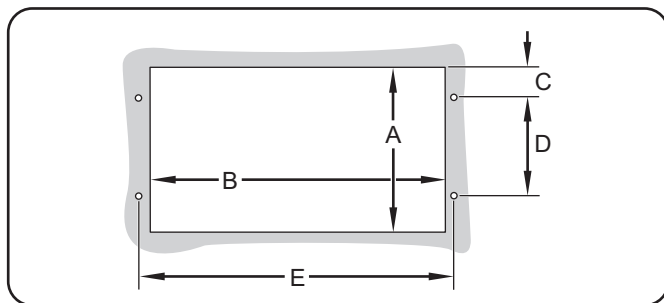
Modèle	Largeur (A)	Largeur (B)	Hauteur (C)	Profondeur (D)	Hauteur (E)
RMB2-1R	257 mm (10-1/8")	279 mm (11")	140 mm (5-1/2")	109 mm (4-1/4")	116 mm (4-5/8")
RMB2-2R	333 mm (13-1/8")	356 mm (14")	140 mm (5-1/2")	109 mm (4-1/4")	116 mm (4-5/8")



Dimensions de la série RMB2

Dimensions de la découpe de la série RMB2

Modèle	Dimensions de la découpe de l'ouverture		Dimensions de la cavité pour la vis		
	(A)	(B)	(C)	(D)	(E)
RMB2-1R	356 mm (4-3/4")	257 mm (10-1/8")	29 mm (1-1/8")	64 mm (2-1/2")	265 mm (10-7/16")
RMB2-2R	356 mm (4-3/4")	333 mm (13-1/8")	29 mm (1-1/8")	64 mm (2-1/2")	341 mm (13-7/16")



Dimensions de la découpe de la série RMB2

NOTA: Assurez-vous que la largeur de la découpe ne dépasse pas la dimension donnée pour chaque taille de boîtier.

Commutateur à progression

Suivez la procédure suivante pour installer un commutateur à progression. Ce commutateur doit être installé par un électricien qualifié dans une boîte/un boîtier électrique homologué (non fourni).

AVERTISSEMENT

DANGER DE DÉCHARGE ÉLECTRIQUE: Tournez le interrupteur sur « ARRÊT » pour éteindre la rampe, débranchez le cordon d'alimentation/coupez le courant au disjoncteur et laissez refroidir l'unité avant d'effectuer toute opération de nettoyage, de réglage ou d'entretien.

AVIS

Pour éviter une défaillance prématurée des composants due à une chaleur excessive, les boîtiers et les interrupteurs de commande à distance doivent être installés à l'extérieur de la zone de chaleur des rampes chauffantes.

- Vérifiez que l'appareil est éteint et déconnecté de la source d'alimentation.
- Installez le commutateur à progression. Consultez le schéma de câblage pour un raccordement électrique approprié. Assurez-vous que le commutateur est installé avec la borne H1 orientée vers le haut. Vous vous assurez ainsi que les fonctions du commutateur correspondent aux repères sur l'étiquette.
 - Courant entrant : L1 et L2 (pour des appareils de 100 et 120 V, L2 est neutre)
 - Vers l'élément de chauffe : H1 et H2

NOTA: Les bornes du commutateur à progression sont des bornes spécialement conçues pour des températures élevées qui ne nécessitent pas de raccordement à braser.

AVIS

Le commutateur à progression doit être installé à l'aide des bornes et des câbles fournis avec le commutateur. Si vous n'utilisez pas les pièces de rechange d'origine fournies par Hatco®, cela annulera toutes les garanties et peut endommager votre équipement.

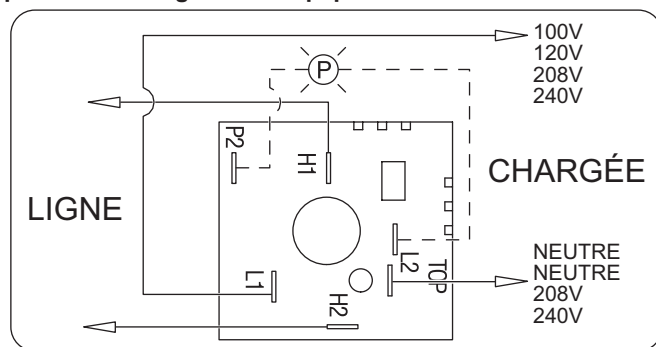


Schéma de câblage du commutateur à progression (vue arrière)

NOTA: Assurez-vous que le commutateur est installé avec la borne H1 orientée vers le haut (à la position 12 heures), comme indiqué ci-dessus. Vous vous assurez ainsi que les fonctions du commutateur correspondent aux repères sur l'étiquette.

Références des commutateurs à progression

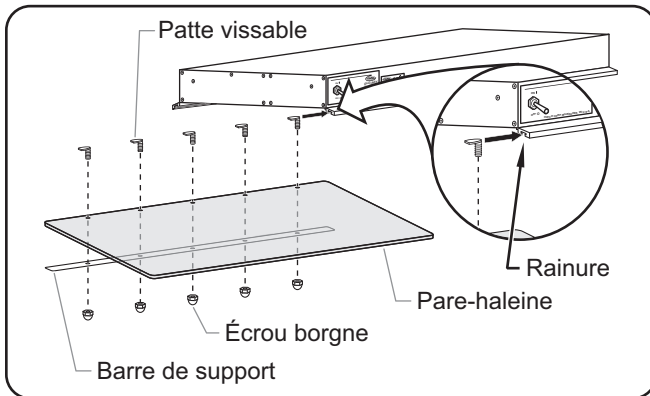
Référence	Tension	Référence	Tension
R02.19.160.00	100 V	R02.19.018.00	120 V
R02.19.017.00	208 V	R02.19.019.00	240 V

Pare-haleine

Les pare-haleine sont disponibles en option pour les modèles en aluminium uniquement. Ils sont disponibles en tailles de 9 3/8" (238 mm) et 14" (356 mm). Les pare-haleine peuvent être installés sur un seul côté ou des deux côtés de l'unité.

Pour installer un pare-haleine :

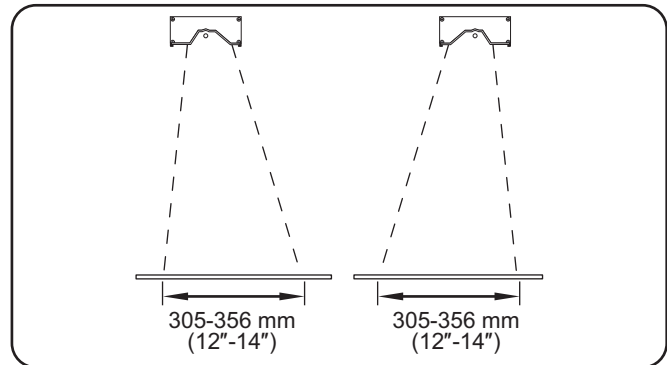
1. Retirez le papier protecteur du pare-haleine.
2. Faites passer chacune des pattes vissables par le dessus du pare-haleine et au travers de la barre de support. Vissez sans le serrer un écrou borgne sur chacune des pattes au-dessous de la barre de support.
3. Soulevez l'ensemble pare-haleine et supports et glissez soigneusement chacune des pattes fixées (mais non serrées) au pare-haleine dans la rainure sur l'unité.
4. Alignez chaque extrémité du pare-haleine avec les extrémités de l'unité puis serrez les écrous borgnes pour fixer le pare-haleine en position. Ne serrez pas trop les écrous borgnes.



Installation du pare-haleine

Réflecteurs inclinés

Des réflecteurs inclinés supplémentaires sont également disponibles. Veuillez contacter l'usine pour plus d'informations. Les réflecteurs inclinés dirigent la chaleur vers l'avant ou l'arrière.



Types de réflecteurs de chaleur inclinés

Ampoules DEL Chef

Les ampoules DEL Chef sont disponibles pour toutes les modèles avec éclairage. Les ampoules DEL CHEF sont des ampoules DEL qui procurent des économies d'énergie par rapport aux ampoules à incandescence. Utilisez ce qui suit pour les ampoules de rechange:

120 Tension

3000K: [R02.30.195.01](#)

4000K: [R02.30.196.01](#)

GARANTIE, RECOURS EXCLUSIF :

Hatco® Corporation (le Vendeur) garantit que les produits qu'elle fabrique (les Produits) seront exempts de défauts de matériaux et de fabrication dans des conditions d'utilisation et de service normales et lorsqu'ils sont stockés, entretenus et installés en stricte conformité avec les recommandations de l'usine. La seule obligation du vendeur envers la personne ou l'entité qui achète les Produits directement auprès du Vendeur (le Client) dans le cadre de cette garantie est la réparation ou le remplacement par le Vendeur ou un organisme de service autorisé par le Vendeur, à la discrétion du Vendeur, de tout Produit ou de toute pièce de celui-ci jugés défectueux par le Vendeur après examen, pendant : (i) la Durée de la garantie à compter de la date d'expédition par le Vendeur ou (ii) la Durée de la garantie à compter de la date d'enregistrement du Produit conformément aux instructions écrites du Vendeur ; la durée la plus longue s'appliquant. La « Durée de la garantie » désigne les périodes spécifiques énoncées ci-dessous pour des composants spécifiques du Produit ou, si ceux-ci ne sont pas énoncés ci-dessous, une période de dix-huit (18) mois. Le crédit pour les Produits ou les pièces retournés avec l'autorisation écrite préalable du Vendeur sera soumis aux conditions indiquées sur le formulaire d'autorisation de retour de matériel du Vendeur. AUCUN CRÉDIT NE SERA ACCORDÉ POUR LES PRODUITS OU LES PIÈCES RETOURNÉS SANS AUTORISATION ÉCRITE PRÉALABLE DU VENDEUR. Les frais engagés par le Client pour retourner, remplacer ou retirer les Produits ne seront pas remboursés par le Vendeur. Si le défaut est couvert par la garantie limitée, les Produits seront réparés ou remplacés et retournés au Client, et les frais de retour seront payés par le Vendeur. La réparation ou le remplacement prévus dans les présentes est le recours exclusif du client. Toute utilisation inappropriée, modification, réparation, altération, mauvaise application, installation incorrecte, application d'une tension inappropriée, ou toute autre action ou inaction par le Client ou d'autres personnes (y compris l'utilisation de tout organisme de service non autorisé) qui, selon le seul jugement du Vendeur, affecte négativement le Produit annule cette garantie. La garantie expressément prévue dans les présentes ne peut être réclamée que par le Client et non par les clients du Client ou d'autres utilisateurs des Produits ; cependant, si le Client est un revendeur d'équipement autorisé par le Vendeur, le Client peut attribuer la garantie aux clients du Client, sous réserve de toutes les limitations des présentes Conditions, et dans ce cas, la garantie sera exclusivement contrôlée par le Vendeur conformément aux présentes Conditions. CETTE GARANTIE LIMITÉE EST EXCLUSIVE ET REMPLACE TOUTE AUTRE GARANTIE, EXPRESSE OU IMPLICITE, Y COMPRIS, MAIS SANS S'Y LIMITER, TOUTE GARANTIE IMPLICITE D'ABSENCE DE CONTREFAÇON, DE QUALITÉ MARCHANDE OU D'ADÉQUATION À UN USAGE PARTICULIER, QUI EST EXPRESSÉMENT DÉCLINÉE.

Garantie d'un (1) an pour les pièces et la main-d'œuvre, PLUS garantie d'un (1) an supplémentaire pour les pièces uniquement :

Éléments du grille-pain à convoyeur (enveloppe métallique)
Éléments des tiroirs chauffants (enveloppe métallique)
Tiroirs, roues et glissières des tiroirs chauffants
Éléments du réchaud (enveloppe métallique)
Éléments de présentation du réchaud (enveloppe métallique, air chauffant)
Éléments des armoires de stockage (enveloppe métallique, air chauffant)
Éléments de puits chauffants — séries HW, HWB et HWBI (enveloppe métallique)

Garantie de deux (2) ans pour les pièces et la main-d'œuvre :

Gammes à induction
Réchauds à induction

Garantie de remplacement d'un (1) an :

Grille-pain à éjection TPT

Garantie d'un (1) an pour les pièces et la main-d'œuvre, PLUS garantie de quatre (4) ans pour les pièces uniquement :

Cuves 3CS et FR

Garantie d'un (1) an pour les pièces et la main-d'œuvre, PLUS garantie de neuf (9) ans pour les pièces uniquement :

Cuves des appareils de chauffage d'appoint électriques
Cuves des appareils de chauffage d'appoint à gaz

Garantie de quatre-vingt-dix (90) jours pour les pièces uniquement :

Pièces de rechange

Nonobstant toute disposition contraire des présentes, la garantie limitée des présentes ne couvrira pas, à la seule discrétion du vendeur, les éléments suivants, mais sans s'y limiter : ampoules à incandescence enduites, éclairages fluorescents, ampoules de lampe chauffante, ampoules halogènes enduites, ampoules de lampe chauffante halogène, ampoules au xénon, tubes de lumière DEL, composants en verre et fusibles ; défaillance du Produit au niveau de la cuve d'appoint, de l'échangeur de chaleur à tubes à ailettes ou de tout autre équipement de chauffage de l'eau causée par la formation de calcaire, l'accumulation de sédiments, une attaque chimique ou le gel.

INSTRUCTIONS D'ENREGISTREMENT DE LA GARANTIE:

L'enregistrement du produit doit être soumis dans les 90 jours à compter de la date d'expédition de notre usine pour bénéficier d'une couverture supplémentaire. L'enregistrement peut être soumis via le formulaire sur le site Web du Vendeur, via le formulaire accessible grâce au code QR sur le Produit (le cas échéant) ou en appelant le service client en fournissant les informations requises au : **+1 800 558 0607** ou **+1 414 671 6350**.

CLAUSE LIMITATIVE DE RESPONSABILITÉ :

LE VENDEUR NE SERA PAS TENU RESPONSABLE DES DOMMAGES INDIRECTS, ACCESSOIRES, CONSÉCUTIFS, PUNITIFS, EXEMPLAIRES OU DÉTERMINÉS, Y COMPRIS, MAIS SANS S'Y LIMITER, LES MANQUES À GAGNER, LES COÛTS DES PRODUITS DE SUBSTITUTION OU LES FRAIS DE MAIN-D'ŒUVRE RÉSULTANT DE LA VENTE, DE L'UTILISATION OU DE L'INSTALLATION DES PRODUITS, QUE LES PRODUITS SOIENT INCORPORÉS DANS D'AUTRES PRODUITS OU EN DEVIENNENT DES COMPOSANTS, OU DE TOUTE AUTRE CAUSE QUE CE SOIT, FONDÉE SUR UNE GARANTIE (EXPRESSE OU IMPLICITE) OU AUTREMENT FONDÉE SUR UN CONTRAT, UN TORT OU TOUTE AUTRE THÉORIE DE RESPONSABILITÉ, ET INDÉPENDAMMENT DE TOUT CONSEIL OU REPRÉSENTATION QUI AURAIENT PU ÊTRE DONNÉS PAR LE VENDEUR CONCERNANT LA VENTE, L'UTILISATION OU L'INSTALLATION DES PRODUITS, MÊME SI LE VENDEUR EST CONSCIENT DE LA POSSIBILITÉ DE TELS DOMMAGES. EN AUCUN CAS, LA RESPONSABILITÉ GÉNÉRALE DU VENDEUR DÉCOULANT DE CE CONTRAT OU LIÉE À CELUI-CI NE DÉPASSERA LES MONTANTS TOTAUX PAYÉS AU VENDEUR PAR LE CLIENT POUR LES PRODUITS DANS LA PÉRIODE DE TROIS (3) MOIS PRÉCÉDANT IMMÉDIATEMENT L'ÉVÉNEMENT DONNANT LIEU À UNE RÉCLAMATION DU CLIENT. LES LIMITATIONS ÉNONCÉES DANS LES PRÉSENTES CONCERNANT LA RESPONSABILITÉ DU VENDEUR SONT VALABLES ET EXÉCUTOIRES NONOBTANT UN MANQUEMENT À L'OBJECTIF PRINCIPAL DU RECOURS LIMITÉ SPÉCIFIÉ DANS CES CONDITIONS.

Le vendeur se réserve le droit de mettre à jour ces conditions à tout moment, à sa seule discrétion, qui deviennent obligatoires à la date de publication. Pour la version la plus récente de nos conditions de vente complètes, consultez notre site Web à l'adresse : <https://www.hatcocorp.com/terms-of-sale>

AUTHORIZED PARTS DISTRIBUTORS • AUTORISÉS DISTRIBUTEURS DE PIÈCES

ALABAMA

Jones McLeod Appl. Svc.
Birmingham 205-251-0159

ARIZONA

Tech 24
Phoenix 602-234-2443

Byassee Equipment Co.
Phoenix 602-252-0402

CALIFORNIA

Industrial Electric
Commercial Parts & Service, Inc.
Huntington Beach 714-379-7100

Chapman Appl. Service
San Diego 619-298-7106

P & D Appliance
Commercial Parts & Service, Inc.
S. San Francisco 650-635-1900

COLORADO

Hawkins Commercial Appliance
Englewood 303-781-5548

FLORIDA

Whaley Foodservice Repair
Jacksonville 904-725-7800

Whaley Foodservice Repair
Orlando 407-757-0851

B.G.S.I./Heritage
Pompano Beach 954-971-0456

Comm. Appliance Service
Tampa 813-663-0313

GEORGIA

Heritage Service Group
Norcross 866-388-9837

HAWAII

Burney's Comm. Service, Inc.
Honolulu 808-848-1466

Food Equip Parts & Service
Honolulu 808-847-4871

ILLINOIS

Parts Town
Addison 708-865-7278

Eichenauer Elec. Service
Decatur 217-429-4229

Midwest Elec. Appl. Service
Elmhurst 630-279-8000

Cone's Repair Service
Moline 309-797-5323

IOWA

Goodwin Tucker Group
Des Moines 515-262-9308

KENTUCKY

Tech 24
Lexington 859-254-8854

Tech 24
Louisville 502-451-5411

LOUISIANA

Chandlers Parts & Service
Baton Rouge 225-272-6620

MARYLAND

Electric Motor Service
Baltimore 410-467-8080

MASSACHUSETTS

Ace Service Co. Inc.
Needham 781-449-4220

MICHIGAN

Bildons Appliance Service
Detroit 248-478-3320

Commercial Kitchen Service
Bay City 989-893-4561

Midwest Food Equip. Service
Grandville 616-261-2000

MISSOURI

General Parts
Kansas City 816-421-5400

Commercial Kitchen Services
St. Louis 314-890-0700

Kaemmerlen Parts & Service
St. Louis 314-535-2222

NEBRASKA

Anderson Electric
Omaha 402-341-1414

NEVADA

Burney's Commercial
Las Vegas 702-736-0006

Hi. Tech Commercial Service
N. Las Vegas 702-649-4616

NEW JERSEY

Jay Hill Repair
Fairfield 973-575-9145

Service Plus
Flanders 973-691-6300

NEW YORK

Alpro Service Co.
Maspeth 718-386-2515

Duffy's - AIS
Buffalo 716-884-7425

3Wire
Plattsburgh 800-634-5005

Duffy's - AIS
Sauquoit 800-836-1014

J.B. Brady, Inc.
Syracuse 315-422-9271

NORTH CAROLINA

Authorized Appliance
Charlotte 704-377-4501

OHIO

Akron/Canton Comm. Svc. Inc.
Akron 330-753-6634

Tech 24
Cincinnati 513-772-6600

Commercial Parts and Service
Columbus 614-221-0057

Electrical Appl. Repair Service
Brooklyn Heights 216-459-8700

E. A. Wichman Co.
Toledo 419-385-9121

OKLAHOMA

Hagar Rest. Service, Inc.
Oklahoma City 405-235-2184

OREGON

General Parts Group
Portland 503-624-0890

PENNSYLVANIA

Elmer Schultz Services
Philadelphia 215-627-5401

FAST Comm. Appl. Service
Philadelphia 215-288-4800

AIS Commercial Parts and Service
Pittsburgh 412-809-0244

K & D Service Co.
Harrisburg 717-236-9039

Electric Repair Co.
Reading 610-376-5444

RHODE ISLAND

Marshall Electric Co.
Providence 401-331-1163

SOUTH CAROLINA

Whaley Foodservice Repair
Lexington 803-996-9900

TENNESSEE

Camp Electric
Memphis 901-527-7543

TEXAS

Armstrong Repair Service
Houston 713-666-7100

Cooking Equipment Specialist
Mesquite 972-686-6666

Commercial Kitchen Repair Co.
San Antonio 210-735-2811

UTAH

La Monica's Rest. Equip. Service
Murray 801-263-3221

VIRGINIA

Daubers
Norfolk 757-855-4097

Daubers
Springfield 703-866-3600

WASHINGTON

3Wire
Seattle 800-207-3146

WISCONSIN

A.S.C., Inc.
Madison 608-246-3160

A.S.C., Inc.
Milwaukee 414-543-6460

CANADA

ALBERTA

Key Food Equipment Service
Edmonton 780-438-1690

BRITISH COLUMBIA

Key Food Equipment Service
Vancouver 604-433-4484

Key Food Equipment Service
Victoria 250-920-4888

MANITOBA

Air Rite, Inc.
Winnipeg 204-895-2300

NEW BRUNSWICK

EMR Services, Ltd.
Moncton 506-855-4228

ONTARIO

R.G. Henderson Ltd.
Toronto 416-422-5580

Choquette - CKS, Inc.
Ottawa 613-739-8458

QUÉBEC

Choquette - CKS, Inc.
Montreal 514-722-2000

Choquette - CKS, Inc.
Québec City 418-681-3944

UNITED KINGDOM

Marren Group
Northants +44(0)1933 665313

HATCO CORPORATION

P.O. Box 340500

Milwaukee, WI 53234-0500 U.S.A.

414-671-6350

support@hatcocorp.com

www.hatcocorp.com

Register your unit online!

See IMPORTANT OWNER INFORMATION
section for details.

Enregistrez votre appareil en ligne !

Lisez la section INFORMATIONS IMPORTANTES POUR
LE PROPRIÉTAIRE pour plus d'informations.