



Register Online!
(see page 2)

S'inscrire en ligne!
(voir page 18)

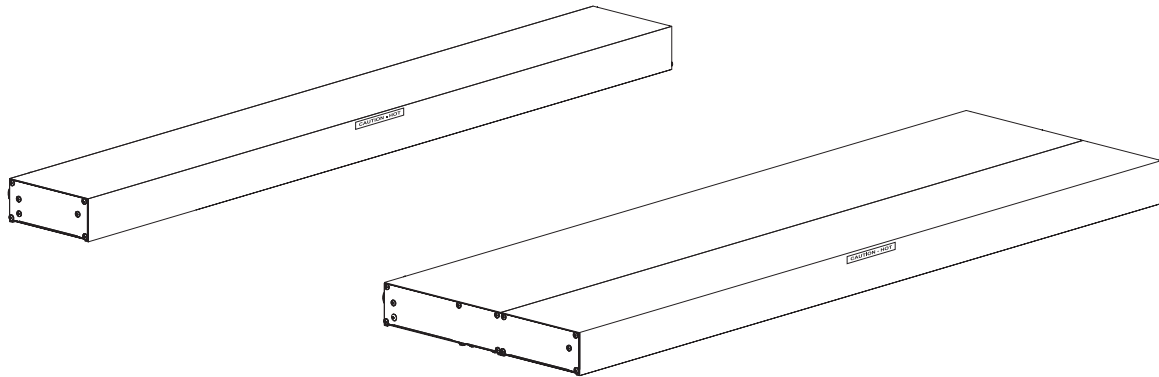


GLO-RAY®

Max Watt Infrared Strip Heaters Rampes Chauffantes Max Watt GRAM and GRAML Series/Série

Installation and Operating Manual Manuel d'installation et d'utilisation

P/N 07.04.439.00



⚠ WARNING

Do not operate this equipment unless you have read and understood the contents of this manual! Failure to follow the instructions contained in this manual may result in serious injury or death. This manual contains important safety information concerning the maintenance, use, and operation of this product. If you're unable to understand the contents of this manual, please bring it to the attention of your supervisor. Keep this manual in a safe location for future reference.

English = p 2

⚠ ADVERTENCIA

No opere este equipo al menos que haya leído y comprendido el contenido de este manual! Cualquier falla en el seguimiento de las instrucciones contenidas en este manual puede resultar en un serio lesión o muerte. Este manual contiene importante información sobre seguridad concerniente al mantenimiento, uso y operación de este producto. Si usted no puede entender el contenido de este manual por favor pregunte a su supervisor. Almacenar este manual en una localización segura para la referencia futura.

⚠ AVERTISSEMENT

Ne pas utiliser cet équipement sans avoir lu et compris le contenu de ce manuel ! Le non-respect des instructions contenues dans ce manuel peut entraîner de graves blessures ou la mort. Ce manuel contient des informations importantes concernant l'entretien, l'utilisation et le fonctionnement de ce produit. Si vous ne comprenez pas le contenu de ce manuel, veuillez le signaler à votre supérieur. Conservez ce manuel dans un endroit sûr pour pouvoir vous y référer plus tard.

Français = p 18

Important Owner Information2
Introduction2
Important Safety Information.....3
Model Description.....4
Model Designation.....4
Specifications.....5
 Electrical Rating Charts.....5
 Dimensions7
Installation8
 General8
 Recommended Mounting Heights.....9
 Minimum Clearance Requirements.....9
 Installing Permanent Units10
 Installing Chain Suspended Units11
 Electrical Information.....12
 Remote Control Enclosures13

Operation14
 General14
Maintenance15
 General15
 Daily Cleaning15
 Replacing Display Light Bulbs15
Troubleshooting Guide16
Options and Accessories.....17
Limited Warranty.....17
Authorized Parts Distributors.....Back Cover

IMPORTANT OWNER INFORMATION

Record the model number, serial number, voltage, and purchase date of your strip heater in the spaces below (specification label located on the underside of the unit). Please have this information available when calling Hatco for service assistance.

Model No. _____
Serial No. _____
Voltage _____
Date of Purchase _____

Business Hours: 8:00 AM to 5:00 PM Central Standard Time (CST)
(Summer Hours: June to September—
8:00 AM to 5:00 PM CST Monday–Thursday
8:00 AM to 2:30 PM CST Friday)

Telephone: 800-558-0607; 414-671-6350

e-mail: partsandservice@hatcocorp.com

Fax: 800-690-2966 (Parts and Service)
414-671-3976 (International)

Register your unit!
Completing online warranty registration will prevent delay in obtaining warranty coverage. Access the Hatco website at www.hatcocorp.com, select the *Parts & Service* pull-down menu, and click on "Warranty Registration".



24 Hour 7 Day Parts and Service Assistance available in the United States and Canada by calling 800-558-0607.

Additional information can be found by visiting our web site at www.hatcocorp.com.

INTRODUCTION

Hatco Glo-Ray® Max Watt Strip Heaters ensure maximum food holding and minimize the risk of food-borne illness. Optimum safety and quality is the result of food held at the proper serving temperatures using Glo-Ray's pre-focused heat patterns. The pre-focused heat pattern prevents foods from being over-cooked in the middle and cooling off around the edges by concentrating higher temperatures to the outer edges of holding surfaces where heat loss is the greatest. Utilizing specially designed reflectors to direct the heat from the element, Glo-Ray Strip Heaters safely maintain peak serving temperatures longer without cooking the food beyond the point of excellence.

Glo-Ray Max Watt Strip Heaters are available from the factory with or without shatter-resistant incandescent lights to illuminate the warming area. These bulbs have a special coating that guards against injury and food contamination in the event of breakage.

Glo-Ray Max Watt Strip Heaters are a product of extensive research and field testing. The materials used were selected for maximum durability, attractive appearance, and optimum performance. Every unit is inspected and tested thoroughly prior to shipment.

This manual provides the installation, safety, and operating instructions for Glo-Ray Max Watt Strip Heaters. Hatco recommends all installation, operating, and safety instructions appearing in this manual be read prior to installation or operation of the Strip Heaters.

Safety information that appears in this manual is identified by the following signal word panels:



WARNING indicates a hazardous situation which, if not avoided, could result in death or serious injury.



CAUTION indicates a hazardous situation which, if not avoided, could result in minor or moderate injury.



NOTICE is used to address practices not related to personal injury.



Read the following important safety information before using this equipment to avoid serious injury or death and to avoid damage to equipment or property.

WARNING

ELECTRIC SHOCK HAZARD:

- Units require a hardwired connection to on-site electrical system. Connection must be properly grounded and of correct voltage, size, and configuration for electrical specifications of unit. Contact a qualified electrician to determine and perform proper electrical connection.
- Turn OFF power switch, turn off power at circuit breaker, and allow unit to cool before performing any cleaning, adjustments, or maintenance.
- DO NOT submerge or saturate with water. Unit is not waterproof. Do not operate if unit has been submerged or saturated with water.
- This unit is not “jet-proof” construction. Do not use jet-clean spray to clean this unit.
- Do not steam clean or use excessive water on unit.
- Use only Genuine Hatco Replacement Parts when service is required. Failure to use Genuine Hatco Replacement Parts will void all warranties and may subject operators of the equipment to hazardous electrical voltage, resulting in electrical shock or burn. Genuine Hatco Replacement Parts are specified to operate safely in the environments in which they are used. Some aftermarket or generic replacement parts do not have the characteristics that will allow them to operate safely in Hatco equipment.

FIRE HAZARD: Do not install Max Watt strip heaters above or around combustible surfaces. Discoloration or combustion could occur. Max Watt strip heaters must be installed in non-combustible surroundings only.

EXPLOSION HAZARD: Do not store or use gasoline or other flammable vapors or liquids in the vicinity of this or any other appliance.

Use only light bulbs that meet or exceed (National Sanitation Foundation (NSF) standards and are specifically designed for food holding areas. Breakage of light bulbs not specially coated could result in personal injury and/or food contamination.

This unit is not intended for use by children or persons with reduced physical, sensory, or mental capabilities. Ensure proper supervision of children and keep them away from the unit.

Make sure all operators have been instructed on the safe and proper use of the unit.

Make sure food product has been heated to the proper food-safe temperature. Failure to heat food product properly may result in serious health risks. This unit is for pre-heated food product only.

WARNING

For installation with chains, make sure the chains have sufficient strength and are securely fastened to both the unit and the mounting location. Poorly installed chains may cause the unit to loosen and fall. Do not place anything on top of units installed with chains.

This unit has no “user-serviceable” parts. If service is required on this unit, contact an Authorized Hatco Service Agent or contact the Hatco Service Department at 800-558-0607 or 414-671-6350; fax 800-690-2966; or International fax 414-671-3976.

CAUTION

BURN HAZARD: Some exterior surfaces on the unit will get hot. Use caution when touching these areas.

Standard and approved manufacturing oils may smoke up to 30 minutes during initial startup. This is a temporary condition. Operate unit without food product until smoke dissipates.

Strip heaters equipped with incandescent lights that require a circuit breaker larger than 20 amps for the heat element must have a separate circuit breaker for the incandescent lights that is 20 amps or less.

To ensure safe and proper operation, refer to the Clearance Requirements listed in the Installation section of this manual.

NOTICE

Installation of two or more separate units with less than 3” (76 mm) between housings may result in premature failure of component parts. Failure to provide proper spacing may result in heat damage to electrical components and will void warranty.

Units are voltage-specific. Refer to specification label for electrical requirements before beginning installation.

Do not add a decorative soffit to hide a pass-through mounted strip heater. Excessive heat can cause unit failure.

To prevent premature failure of components due to excessive heat, remote mounted control enclosures must be installed outside the strip heater heat zone.

Damage to any countertop material caused by heat generated from Hatco equipment is not covered under the Hatco warranty. Contact the manufacturer of the countertop material for application information.

Use non-abrasive cleaners and cloths only. Abrasive cleaners and cloths could scratch the finish of the unit, marring its appearance and making it susceptible to soil accumulation.

Do not locate unit in area with excessive air movement around unit. Avoid areas that may be subject to active air movements or currents (i.e., near exhaust fans/hoods, air conditioning ducts, and exterior doors).

MODEL DESCRIPTION

All Models

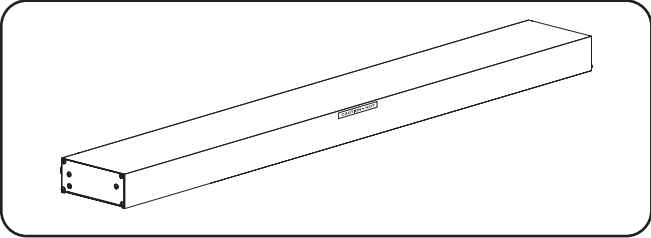
Hatco Glo-Ray® Max Watt Strip Heaters keep hot foods at optimum serving temperatures longer. Foods do not dry out or become discolored; even the most delicate dishes hold that "just-prepared" look. The Glo-Ray pre-focused heat pattern directs heat from a tubular element to bathe the entire holding surface.

Glo-Ray Max Watt strip heaters are constructed with aluminum housings in lengths of 18" (457 mm) to 144" (3658 mm).

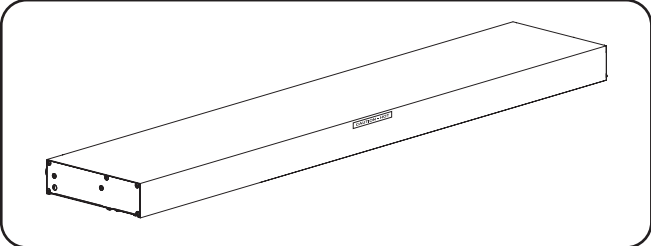
Dual models allow for side-by-side mounting of two heating elements to provide a wider holding area (dual models are constructed with a standard 3" [76 mm] or optional 6" [152 mm] spacer between heating elements).

All Glo-Ray Max Watt Strip Heaters have several mounting options. Optional electronic infinite control switches, incandescent lighting, and halogen lighting are available.

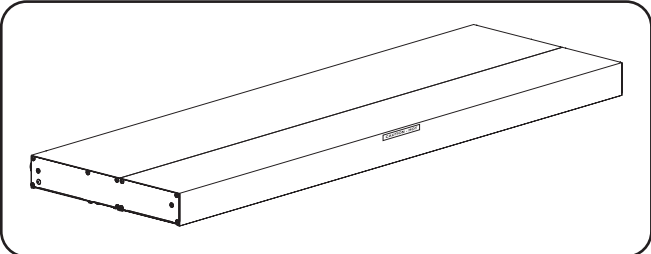
- GRAM-XX:** Aluminum housing, single element depth
- GRAML-XX:** Aluminum housing, incandescent lights, single element depth
- GRAM-XXD:** Aluminum housing, dual element depth
- GRAML-XXD:** Aluminum housing, incandescent lights, dual element depth



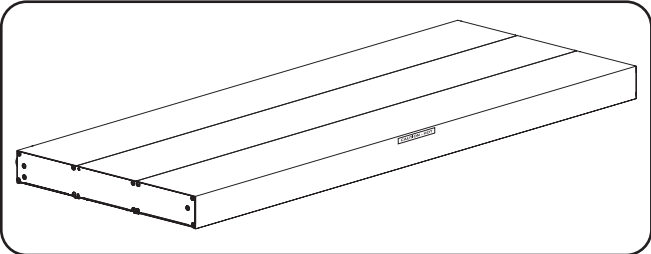
GRAM-48 Model



GRAML-48 Model

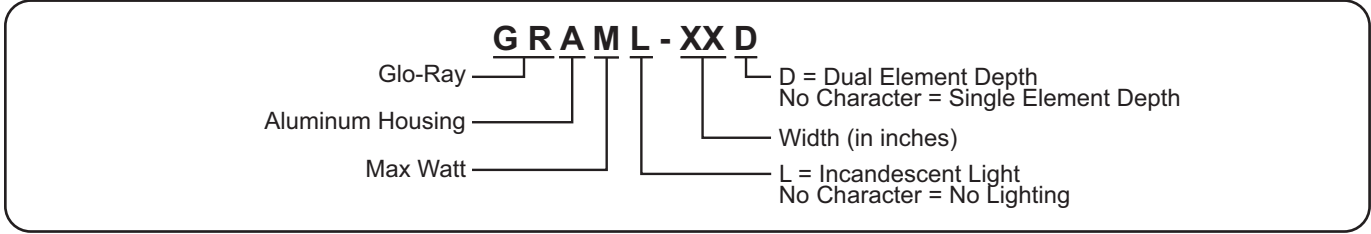


GRAML-48D Model with 3" (76 mm) spacer



GRAML-48D Model with 6" (152 mm) spacer

MODEL DESIGNATION



Electrical Rating Chart — GRAM Models

Model GRAM-18	Watts: 450	Shipping Weight: 6 lbs. (3 kg)*
Voltage	120 208 240	
Amps	3.8 2.2 1.9	
Model GRAM-24	Watts: 650	Shipping Weight: 7 lbs. (3 kg)*
Voltage	120 208 240	
Amps	5.4 3.1 2.7	
Model GRAM-30	Watts: 825	Shipping Weight: 8 lbs. (4 kg)*
Voltage	120 208 240	
Amps	6.9 4.0 3.4	
Model GRAM-36	Watts: 1000	Shipping Weight: 9 lbs. (4 kg)*
Voltage	120 208 240	
Amps	8.3 4.8 4.2	
Model GRAM-42	Watts: 1175	Shipping Weight: 10 lbs. (5 kg)*
Voltage	120 208 240	
Amps	9.8 5.6 4.9	
Model GRAM-48	Watts: 1300	Shipping Weight: 11 lbs. (5 kg)*
Voltage	120 208 240	
Amps	10.8 6.3 5.4	
Model GRAM-54	Watts: 1500	Shipping Weight: 13 lbs. (6 kg)*
Voltage	120 208 240	
Amps	12.5 7.2 6.3	
Model GRAM-60	Watts: 1700	Shipping Weight: 14 lbs. (6 kg)*
Voltage	120 208 240	
Amps	14.2 8.2 7.1	
Model GRAM-66†	Watts: 1875	Shipping Weight: 16 lbs. (7 kg)*
Voltage	120 208 240	
Amps	15.6 9.0 7.8	
Model GRAM-72‡	Watts: 2075	Shipping Weight: 17 lbs. (8 kg)*
Voltage	120 208 240	
Amps	17.3 10.0 8.6	
Model GRAM-84†	Watts: 2400	Shipping Weight: 19 lbs. (9 kg)*
Voltage	120 208 240	
Amps	20.0 11.5 10.0	
Model GRAM-96‡	Watts: 2675	Shipping Weight: 21 lbs. (10 kg)*
Voltage	120 208 240	
Amps	22.3 12.9 11.1	
Model GRAM-108†•	Watts: 3000	Shipping Weight: 23 lbs. (10 kg)*
Voltage	120 208 240	
Amps	--- 14.4 12.5	
Model GRAM-120†•	Watts: 3400	Shipping Weight: 26 lbs. (12 kg)*
Voltage	120 208 240	
Amps	--- 16.4 14.2	
Model GRAM-132†•	Watts: 3750	Shipping Weight: 30 lbs. (14 kg)*
Voltage	120 208 240	
Amps	--- 18.0 15.6	
Model GRAM-144†•	Watts: 4150	Shipping Weight: 33 lbs. (15 kg)*
Voltage	120 208 240	
Amps	--- 20.0 17.3	

▪ May require additional switches, consult factory for applications.

† Glo-Ray models 66" through 144" contain tandem (end-to-end) elements that may be individually controlled.

• Not available in 120 volts.

* Add 2 – 8 lbs. (1 – 3 kg) to shipping weight depending on size of remote control enclosure.

NOTE: GRAML models that have multiple voltages listed, such as 120/208 or 120/240, have multiple internal circuits. For example a 120/208 volt unit utilizes 120 volts for light circuit and 208 volts for the heat circuit(s). Consult the Electrical Diagram supplied with the unit for specific information.

Electrical Rating Chart — GRAML Models

Model GRAML-18	Watts: 570	Shipping Weight: 9 lbs. (4 kg)*
Voltage	120 120/208 120/240	
Amps	4.8 3.2 2.9	
Model GRAML-24	Watts: 770	Shipping Weight: 10 lbs. (5 kg)*
Voltage	120 120/208 120/240	
Amps	6.4 4.1 3.7	
Model GRAML-30	Watts: 945	Shipping Weight: 11 lbs. (5 kg)*
Voltage	120 120/208 120/240	
Amps	7.9 5.0 4.4	
Model GRAML-36	Watts: 1180	Shipping Weight: 13 lbs. (6 kg)*
Voltage	120 120/208 120/240	
Amps	9.8 6.3 5.7	
Model GRAML-42	Watts: 1355	Shipping Weight: 15 lbs. (7 kg)*
Voltage	120 120/208 120/240	
Amps	11.3 7.1 6.4	
Model GRAML-48	Watts: 1540	Shipping Weight: 17 lbs. (8 kg)*
Voltage	120 120/208 120/240	
Amps	12.8 8.3 7.4	
Model GRAML-54	Watts: 1740	Shipping Weight: 19 lbs. (9 kg)*
Voltage	120 120/208 120/240	
Amps	14.5 9.2 8.3	
Model GRAML-60‡	Watts: 2000	Shipping Weight: 21 lbs. (10 kg)*
Voltage	120 120/208 120/240	
Amps	16.7 10.7 9.6	
Model GRAML-66‡	Watts: 2175	Shipping Weight: 22 lbs. (10 kg)*
Voltage	120 120/208 120/240	
Amps	18.1 11.5 10.3	
Model GRAML-72‡	Watts: 2435	Shipping Weight: 24 lbs. (11 kg)*
Voltage	120 120/208 120/240	
Amps	20.3 13.0 11.6	
Model GRAML-84†	Watts: 2820	Shipping Weight: 28 lbs. (13 kg)*
Voltage	120 120/208 120/240	
Amps	23.5 15.0 13.5	
Model GRAML-96‡	Watts: 3155	Shipping Weight: 32 lbs. (15 kg)*
Voltage	120 120/208 120/240	
Amps	26.3 16.9 15.1	
Model GRAML-108†•	Watts: 3540	Shipping Weight: 36 lbs. (16 kg)*
Voltage	120 120/208 120/240	
Amps	--- 18.9 17.0	
Model GRAML-120†•	Watts: 4000	Shipping Weight: 40 lbs. (18 kg)*
Voltage	120 120/208 120/240	
Amps	--- 21.3 19.2	
Model GRAML-132†•	Watts: 4410	Shipping Weight: 44 lbs. (20 kg)*
Voltage	120 120/208 120/240	
Amps	--- 23.5 21.1	
Model GRAML-144†•	Watts: 4870	Shipping Weight: 48 lbs. (22 kg)*
Voltage	120 120/208 120/240	
Amps	--- 26.0 23.3	

CAUTION! Light-equipped strip heaters that require a circuit breaker 20 amps or larger must be installed with a remote control enclosure containing a fuse rated at 20 amps or less for the light circuit.

Electrical Rating Chart — GRAM-XXD Models

Model GRAM-18D	Watts: 900	Shipping Weight: 14 lbs. (6 kg)*
Voltage	120 208 240	
Amps	7.5 4.3 3.8	
Model GRAM-24D	Watts: 1300	Shipping Weight: 16 lbs. (7 kg)*
Voltage	120 208 240	
Amps	10.8 6.3 5.4	
Model GRAM-30D	Watts: 1650	Shipping Weight: 18 lbs. (8 kg)*
Voltage	120 208 240	
Amps	13.8 7.9 6.9	
Model GRAM-36D■	Watts: 2000	Shipping Weight: 21 lbs. (10 kg)*
Voltage	120 208 240	
Amps	16.7 9.6 8.3	
Model GRAM-42D■	Watts: 2350	Shipping Weight: 24 lbs. (11 kg)*
Voltage	120 208 240	
Amps	19.6 11.3 9.8	
Model GRAM-48D■	Watts: 2600	Shipping Weight: 27 lbs. (12 kg)*
Voltage	120 208 240	
Amps	21.7 12.5 10.8	
Model GRAM-54D■	Watts: 3000	Shipping Weight: 30 lbs. (14 kg)*
Voltage	120 208 240	
Amps	25.0 14.4 12.5	
Model GRAM-60D■	Watts: 3400	Shipping Weight: 34 lbs. (15 kg)*
Voltage	120 208 240	
Amps	28.3 16.3 14.2	
Model GRAM-66D■†	Watts: 3750	Shipping Weight: 37 lbs. (17 kg)*
Voltage	120 208 240	
Amps	31.3 18.0 15.6	
Model GRAM-72D■†	Watts: 4150	Shipping Weight: 41 lbs. (19 kg)*
Voltage	120 208 240	
Amps	34.6 20.0 17.3	
Model GRAM-84D■†•	Watts: 4800	Shipping Weight: 44 lbs. (20 kg)*
Voltage	--- 208 240	
Amps	--- 23.1 20.0	
Model GRAM-96D■†•	Watts: 5350	Shipping Weight: 52 lbs. (24 kg)*
Voltage	--- 208 240	
Amps	--- 25.7 22.3	
Model GRAM-108D■†•	Watts: 6000	Shipping Weight: 59 lbs. (27 kg)*
Voltage	--- 208 240	
Amps	--- 28.9 25.0	
Model GRAM-120D■†•	Watts: 6800	Shipping Weight: 66 lbs. (30 kg)*
Voltage	--- 208 240	
Amps	--- 32.7 28.3	
Model GRAM-132D■†•	Watts: 7500	Shipping Weight: 73 lbs. (33 kg)*
Voltage	--- 208 240	
Amps	--- 36.1 31.2	
Model GRAM-144D■†•	Watts: 8300	Shipping Weight: 80 lbs. (36 kg)*
Voltage	--- 208 240	
Amps	--- 39.9 34.6	

Electrical Rating Chart — GRAML-XXD Models

Model GRAML-18D	Watts: 1020	Shipping Weight: 14 lbs. (6 kg)*
Voltage	120 120/208 120/240	
Amps	8.5 5.3 4.8	
Model GRAML-24D	Watts: 1420	Shipping Weight: 16 lbs. (7 kg)*
Voltage	120 120/208 120/240	
Amps	11.8 7.3 6.4	
Model GRAML-30D	Watts: 1770	Shipping Weight: 19 lbs. (9 kg)*
Voltage	120 120/208 120/240	
Amps	14.8 8.9 7.9	
Model GRAML-36D■	Watts: 2180	Shipping Weight: 22 lbs. (10 kg)*
Voltage	120 120/208 120/240	
Amps	18.2 11.1 9.8	
Model GRAML-42D■	Watts: 2530	Shipping Weight: 25 lbs. (11 kg)*
Voltage	120 120/208 120/240	
Amps	21.1 12.8 11.3	
Model GRAML-48D■	Watts: 2840	Shipping Weight: 29 lbs. (13 kg)*
Voltage	120 120/208 120/240	
Amps	23.7 14.5 12.8	
Model GRAML-54D■	Watts: 3240	Shipping Weight: 33 lbs. (15 kg)*
Voltage	120 120/208 120/240	
Amps	27.0 16.4 14.5	
Model GRAML-60D■	Watts: 3700	Shipping Weight: 37 lbs. (17 kg)*
Voltage	120 120/208 120/240	
Amps	30.8 18.8 16.7	
Model GRAML-66D■†	Watts: 4050	Shipping Weight: 39 lbs. (18 kg)*
Voltage	120 120/208 120/240	
Amps	33.8 20.5 18.1	
Model GRAML-72D■†	Watts: 4510	Shipping Weight: 42 lbs. (19 kg)*
Voltage	120 120/208 120/240	
Amps	37.6 23.0 20.3	
Model GRAML-84D■†•	Watts: 5220	Shipping Weight: 47 lbs. (21 kg)*
Voltage	120 120/208 120/240	
Amps	43.5 26.6 23.5	
Model GRAML-96D■†•	Watts: 5830	Shipping Weight: 56 lbs. (25 kg)*
Voltage	120 120/208 120/240	
Amps	48.6 29.7 26.3	
Model GRAML-108D■†•	Watts: 6540	Shipping Weight: 64 lbs. (29 kg)*
Voltage	--- 120/208 120/240	
Amps	--- 33.3 29.5	
Model GRAML-120D■†•	Watts: 7400	Shipping Weight: 72 lbs. (33 kg)*
Voltage	--- 120/208 120/240	
Amps	--- 37.7 33.3	
Model GRAML-132D■†•	Watts: 8160	Shipping Weight: 79 lbs. (36 kg)*
Voltage	--- 120/208 120/240	
Amps	--- 41.6 36.8	
Model GRAML-144D■†•	Watts: 9020	Shipping Weight: 86 lbs. (39 kg)*
Voltage	--- 120/208 120/240	
Amps	--- 45.9 40.6	

■ May require additional switches, consult factory for applications.

† Glo-Ray models 66" through 144" contain tandem (end-to-end) elements that may be individually controlled.

• Not available in 120 volts.

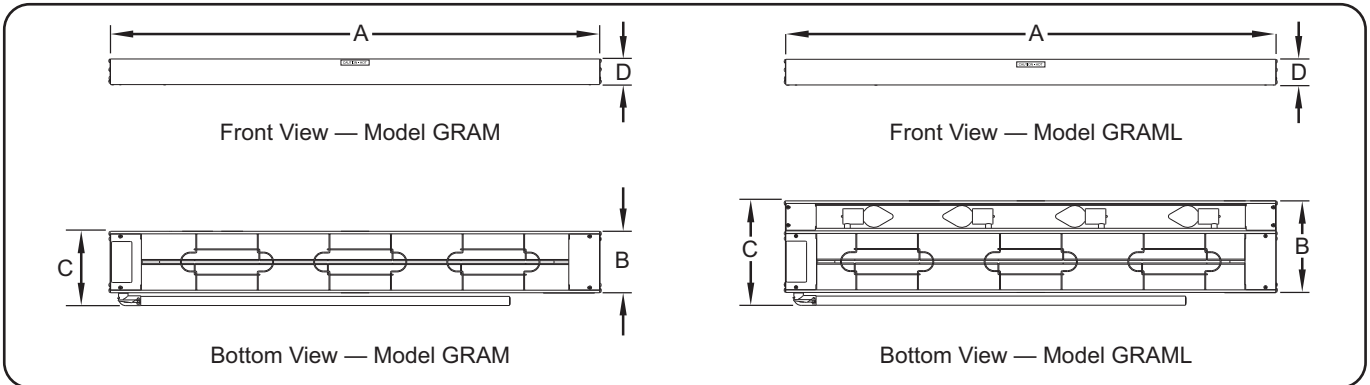
* Add 2 – 8 lbs. (1 – 3 kg) to shipping weight depending on size of remote control enclosure.

NOTE: GRAML-XXD models that have multiple voltages listed, such as 120/208 or 120/240, have multiple internal circuits. For example a 120/208 volt unit utilizes 120 volts for light circuit and 208 volts for the heat circuit(s). Consult the Electrical Diagram supplied with the unit for specific information.

CAUTION! Light-equipped strip heaters that require a circuit breaker 20 amps or larger must be installed with a remote control enclosure containing a fuse rated at 20 amps or less for the light circuit.

Dimensions — GRAM and GRAML Models

Model	Width (A)	Depth (B)	Depth (C)	Height (D)
GRAM	18"–144" (457–3658 mm)	6" (152 mm)	7-1/4" (184 mm)	2-1/2" (64 mm)
GRAML	18"–144" (457–3658 mm)	9" (229 mm)	10-1/4" (259 mm)	2-1/2" (64 mm)

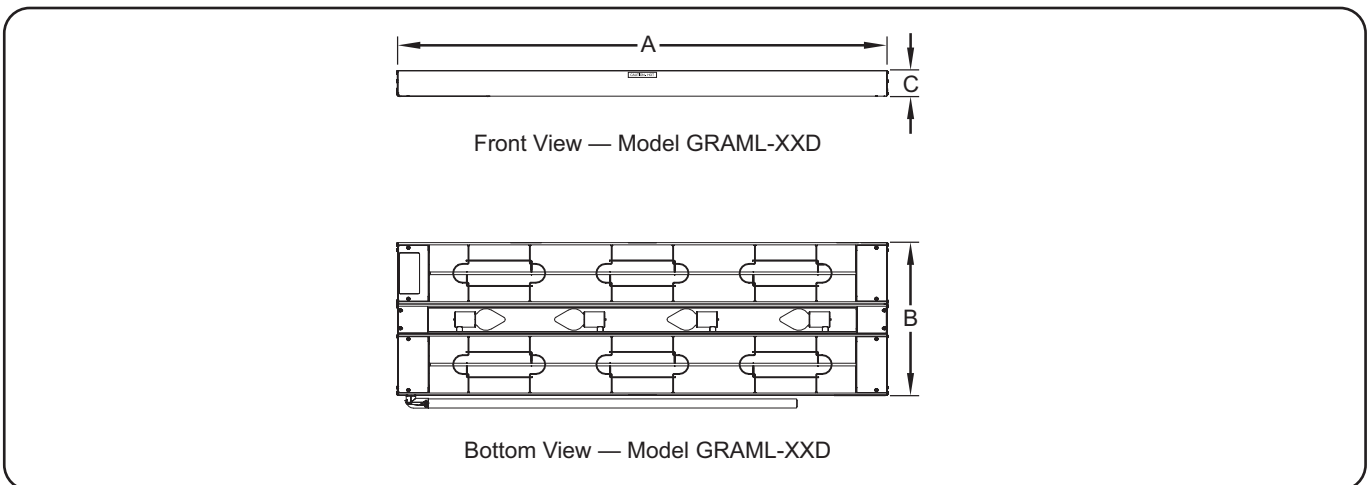


Dimensions — Single Element Strip Heaters

Dimensions — GRAM-XXD and GRAML-XXD Models

Model	Width (A)	Depth (B) *	Height (C)
GRAM-XXD and GRAML-XXD	18"–144" (457–3658 mm)	15" (381 mm)	2-1/2" (64 mm)

* Dimension shown is standard with 3" (76 mm) spacer; when used with 6" (152 mm) spacer, add 3" (76 mm).



Dimensions — Dual Element Strip Heaters

General

Use the information in this section to prepare for and install a Max Watt Strip Heater. Make sure to locate the specific information in this section for the type of installation. Strip heaters are shipped with most components pre-assembled. Dual units are supplied with a required 3" (76 mm) or 6" (152 mm) spacer pre-assembled at the factory.

Optional mounting equipment and remote control enclosures must be installed on location.

WARNING

FIRE HAZARD: Do not install Max Watt strip heaters above or around combustible surfaces. Discoloration or combustion could occur. Max Watt strip heaters must be installed in non-combustible surroundings only.

CAUTION

To ensure safe and proper operation, refer to the "Minimum Clearance Requirements" listed in the Installation section of this manual.

NOTICE

Damage to any countertop material caused by heat generated from Hatco equipment is not covered under the Hatco warranty. Contact the manufacturer of the countertop material for application information.

To prevent unit failure from excessive heat, do not add a decorative soffit to hide a pass-through mounted strip heater.

NOTE: Contact the countertop manufacturer of the base material for application information and surface temperature limits before installing the unit.

1. Remove the unit from the shipping carton and remove all packing materials.

NOTE: To prevent delay in obtaining warranty coverage, complete online warranty registration. See the IMPORTANT OWNER INFORMATION section for details.

2. Remove tape and protective packaging from all surfaces of the unit.

NOTE: If unit is equipped with optional equipment, see the OPTIONS AND ACCESSORIES section near the back of this manual.

3. Install/mount the unit in an appropriate location.
 - a. Verify recommended mounting heights and minimum clearance requirements are met for the appropriate model. Refer to "Recommended Mounting Heights" and "Minimum Clearance Requirements" in this section.
 - c. For permanent unit installation, refer to "Installing Permanent Units" in this section.
 - b. For chain suspension installation, refer to "Installing Chain Suspended Units" in this section.

Dual Mounting

When mounting units side-by-side, a space not less than 3" (76 mm) must be maintained between units. Dual units ordered from the factory are shipped with a pre-assembled 3" (76 mm) or 6" (152 mm) spacer.

NOTICE

Installation of two or more separate units with less than 3" (76 mm) between housings may result in premature failure of component parts. Failure to provide proper spacing may result in heat damage to electrical components and will void warranty.

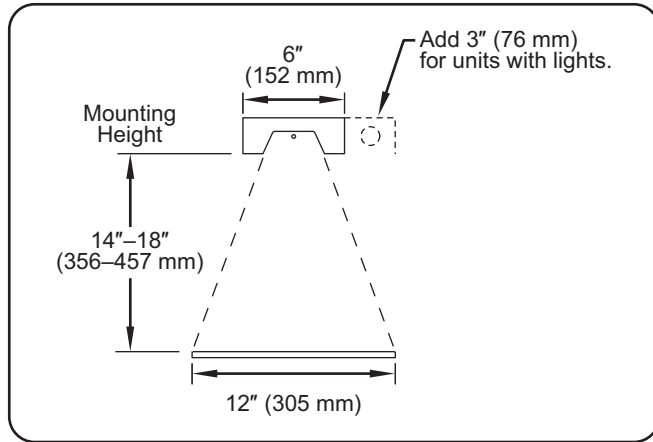
Under Shelf Mounting

When mounting a unit under a shelf, use adjustable angle brackets to assure proper spacing. Remote control enclosures are required to keep switches out of the heat zone and prevent premature failure.

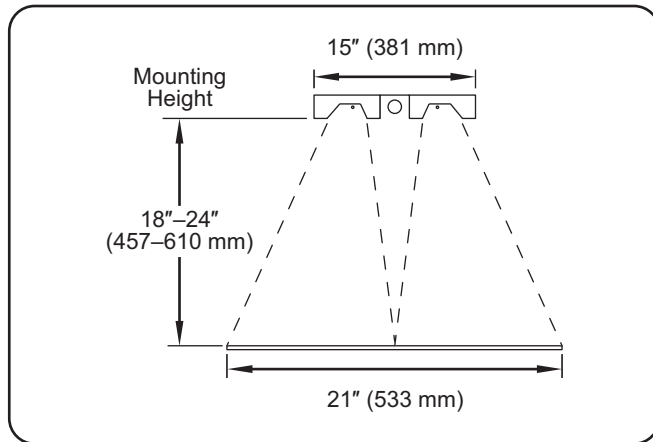
Pass-Through

If pass-through area is 12" to 16" (305 to 406 mm) deep, a single unit can be used. For a 20" to 24" (508 to 610 mm) deep pass-through area, a dual unit is recommended. Installation of multiple units must have a minimum spacing of 3" (76 mm) between heaters.

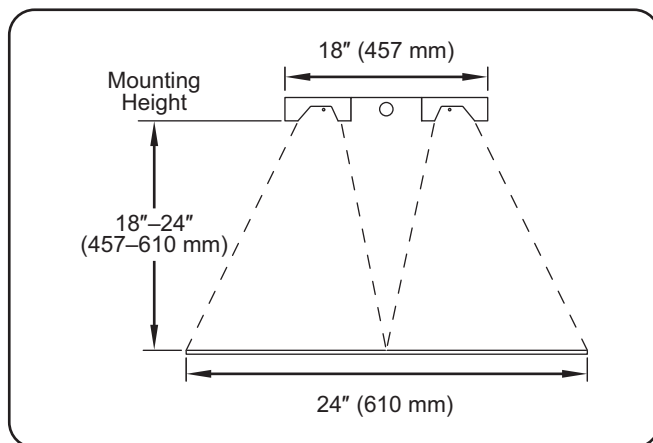
Recommended Mounting Heights



Recommended Mounting Height for GRAM and GRAML models in all lengths (excluding dual models).



Recommended Mounting Height for GRAM-XXD and GRAML-XXD dual models with a 3" (76 mm) spacer in all lengths.



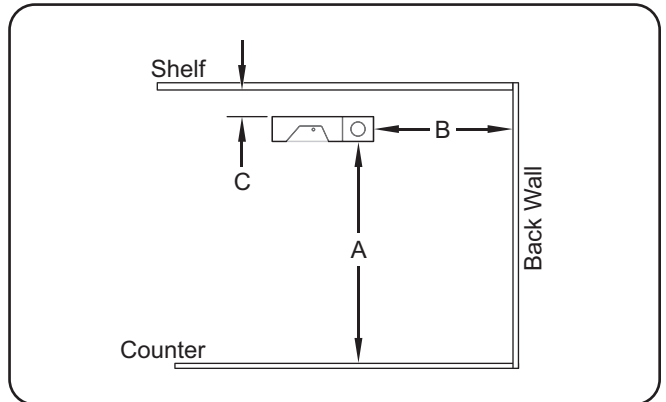
Recommended Mounting Height for GRAM-XXD and GRAML-XXD dual models with a 6" (152 mm) spacer in all lengths.

Minimum Clearance Requirements

WARNING

FIRE HAZARD: Do not install Max Watt strip heaters above or around combustible surfaces. Discoloration or combustion could occur. Max Watt strip heaters must be installed in non-combustible surroundings only.

Models	(A)	(B)	(C)
GRAM and GRAML	12" (305 mm)	3" (76 mm)	1" (25 mm)
GRAM-XXD GRAML-XXD	15" (381 mm)	3" (76 mm)	1" (25 mm)



Non-Combustible Clearance Requirements

Installing Permanent Units

Strip heaters can be mounted permanently with tubular stands or angle brackets. Refer to the proper permanent mounting section for the installation procedure.

Tubular Stand Mounting

Tubular stand mounting permanently attaches the unit to a countertop or serving table. All wiring may be concealed within one of the tubular stands.

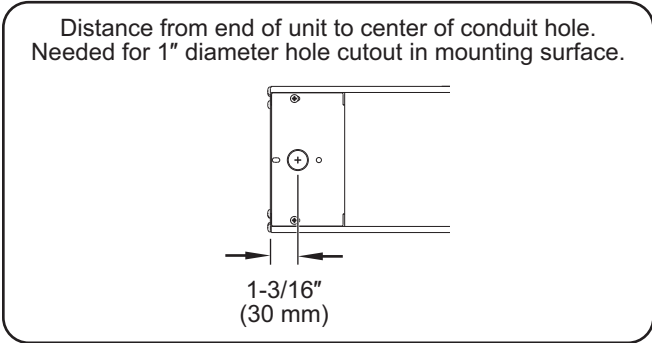


To ensure safe and proper operation, refer to the “Minimum Clearance Requirements” listed in the INSTALLATION section of this manual.

Tubular stands are available in aluminum non-adjustable heights from 14"-24" (356-610 mm).

NOTE: Tubular stands are not field retrofittable.

NOTE: If wiring is to be concealed, a 1" (25 mm) diameter hole must be provided in the mounting surface centered under the stand containing the wiring conduit.



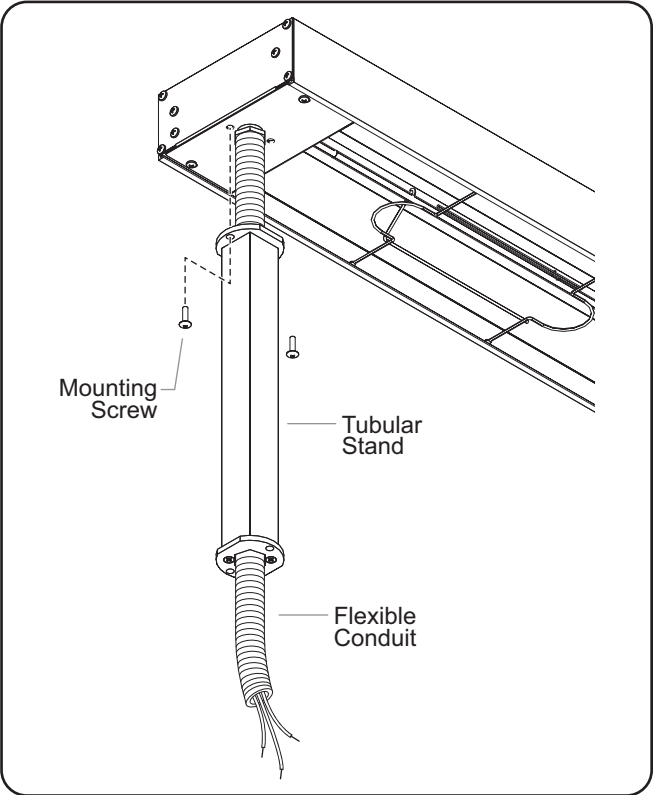
Countertop Conduit Hole Dimension

1. Position the unit upside-down on a flat surface.

NOTE: Units for this application are supplied with the conduit attached to one side of the unit. Conduit should not be removed.

2. If applicable, route the flexible conduit through the center of one of the stands.
3. Pull the conduit-side stand up against the unit and secure the stand to the unit using the screws supplied.
4. Align the opposite-side stand with the mounting holes at the other end of the unit and secure the stand to the unit using the screws supplied.
5. If applicable, route the flexible conduit through the 1" (25 mm) diameter hole cut into the mounting surface.
6. Secure the stands to the mounting surface.

NOTE: Two pairs of stands will be needed for mounting dual units.



Tubular Stand Mounting

Adjustable Angle Bracket Mounting

Mounting a strip heater with adjustable angle brackets permanently attaches the unit to the underside of a shelf. Units can be mounted to a flat shelf or a shelf with rolled/flanged edges. A minimum gap of 1" [25 mm] is required between the unit and the bottom of the rolled or flanged edge to prevent heat damage to the electrical system of the unit.

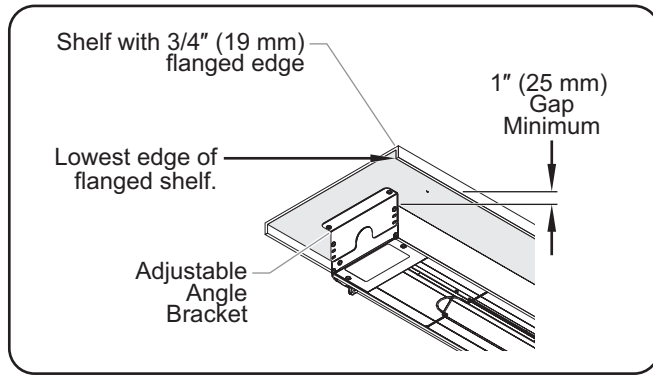


To ensure safe and proper operation, refer to the Clearance Requirements listed in the Installation section of this manual.

If the shelf has a rolled or flanged edge, use the appropriate screw hole locations on the adjustable angle brackets to mount the unit 1" (25 mm) below the lowest edge of the rolled or flanged shelf. The adjustable angle brackets can provide a 1" [25 mm], 1-1/2" [38 mm], or 2" [51 mm] gap between the unit and the underside of the shelf.

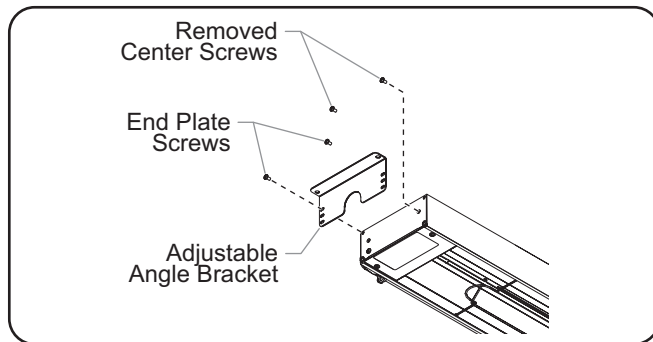


Do not conceal unit. Unit must be installed below the lowest edge of a rolled or flanged shelf. Failure to mount unit properly may result in premature failure of components and void the product warranty.



Flanged Shelf Installation

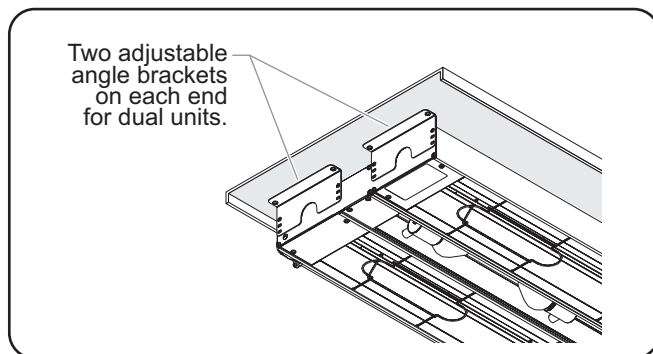
1. Position the unit on a flat surface with the heating element facing down.
2. Remove the two center screws from the end plate at one end of the unit. These screws do not need to be replaced.
3. Remove the two upper end plate screws.
4. Align the appropriate holes on the adjustable angle bracket with the end plate mounting holes on the unit. Secure the angle bracket with the end plate screws.
5. Repeat steps 2 – 4 for the opposite end of the unit.



Adjustable Angle Bracket Installation

6. Fasten the angle brackets to the underside of the shelf using appropriate fasteners (not supplied by Hatco).

NOTE: Two pairs of brackets will be needed for dual units.



Dual Unit Mounting

Installing Chain Suspended Units

Chain suspension mounting attaches a strip heater to an overhead surface with the use of "S" hooks. Chain suspended units are available for single housing models only.

NOTE: Units ordered with the "S" hook option come with two hanger tabs mounted to each end of the unit, two "S" hooks, and two 6" (152 mm) pieces of connecting chain. Additional chain (P/N 05.03.020.00) can be ordered from Hatco for the overhead mounting system or another option can be determined by a qualified installer.

WARNING

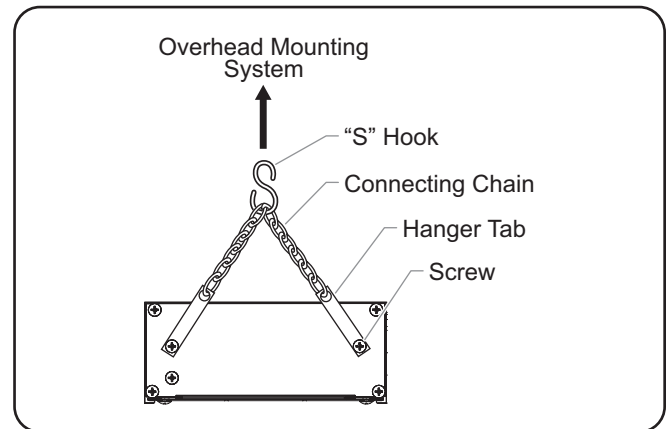
For installation with chains, make sure the chains have sufficient strength and are securely fastened to both the unit and the mounting location. Poorly installed chains may cause the unit to loosen and fall. Do not place anything on top of units installed with chains.

To ensure safe and proper operation, refer to the "Minimum Clearance Requirements" listed in the Installation section of this manual.

NOTE: The strength of the chain supplied by Hatco is sufficient to hold the weight of the unit securely only when mounted properly.

NOTE: Dual units cannot be mounted using the "S" hook and chain system.

1. Prepare the overhead mounting system for the "S" hooks. Make sure the system is secure and is set up so the unit will be suspended at a level, safe, and proper distance from walls, counter, and food.
2. Loosen, but do not remove the screws securing the hanger tabs on each end of the unit. Rotate the tabs up, then tighten the screws securely.
3. Securely attach one of the 6" (152 mm) connecting chains between each pair of hanger tabs.
4. Attach an "S" hook to the center of each connecting chain.
5. Carefully lift the unit and attach the "S" hooks on each end of the unit to the overhead mounting system. Make sure the unit is level.



"S" Hook Mounting

Electrical Information

Refer to the wiring diagram supplied with the unit and specification label attached to the unit for specific electrical information. Also, refer to the ELECTRICAL RATING CHARTS for unit specific information.



WARNING

ELECTRIC SHOCK HAZARD: For hard-wired units, all electrical connections must be in accordance with local electrical codes and any other applicable codes. Connections should be made by a qualified, licensed electrician.



CAUTION

Strip heaters equipped with incandescent lights that require a circuit breaker larger than 20 amps for the heat element must have a separate circuit breaker for the incandescent lights that is 20 amps or less.

NOTE: If the unit being installed is not shown or listed in this manual, refer to the wiring diagram supplied with the unit and the installation information on the unit for further instructions.

Power Supply

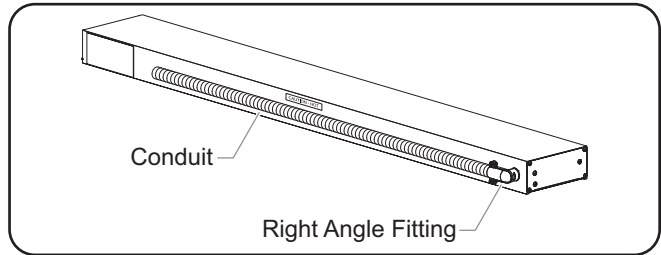
Install supply wire and connectors suitable for at least 194°F (90°C).

- Use a minimum of No. 14 AWG copper wire for individual circuits up to 15 amps.
- Use a minimum of No. 12 AWG copper wire for individual circuits 15 to 20 amps.
- Use a minimum of No. 10 AWG copper wire for individual circuits 20 to 25 amps.

NOTE: Refer to the wiring diagram supplied with the unit and specifications label attached to the unit for specific electrical information.

Conduit Connection

Units supplied with a right angle fitting and flexible conduit attached have had all internal connections completed at the factory. Attach the proper power supply leads to the high temperature lead wires in the conduit.



Conduit Connections

Remote Control Enclosures

Hatco remote control enclosures include switches, wire leads, and/or indicator lights and are shipped ready for installation.

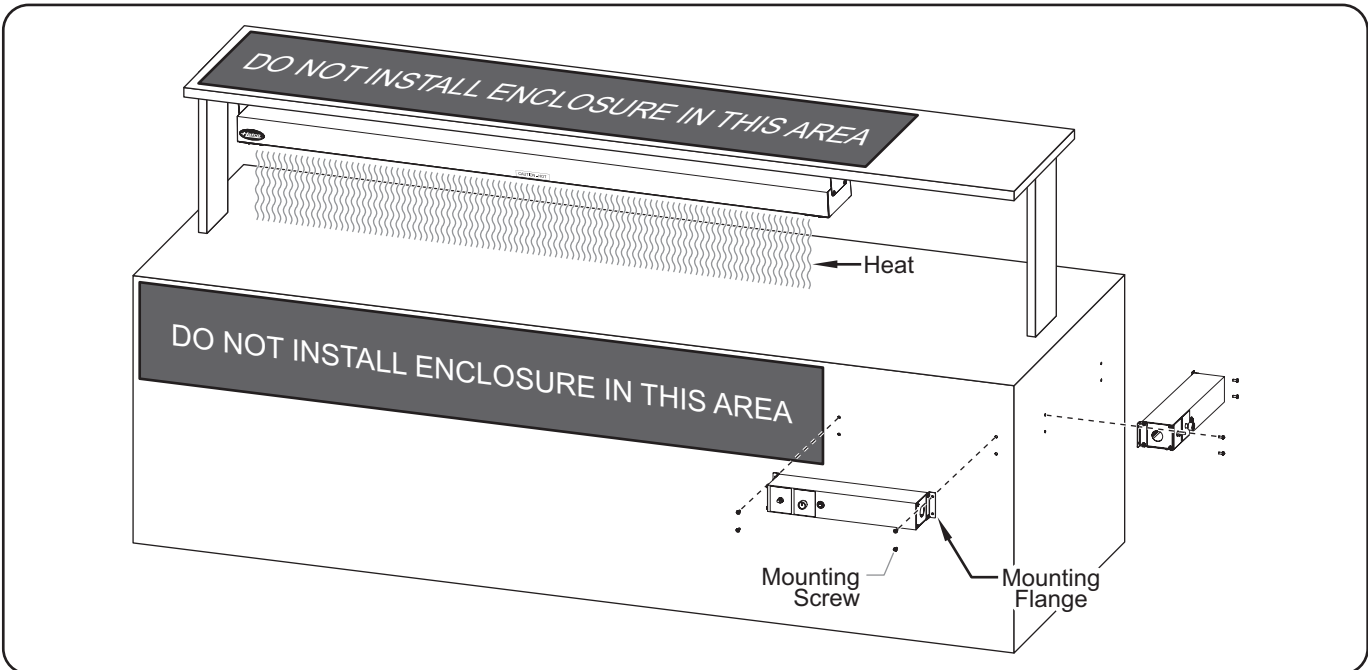
The RMB Series require one remote control enclosure per strip heater. The RMB2 Series allows multiple strip heaters to be connected to one remote control enclosure.

NOTE: Remote control enclosures are available in several configurations depending on the model. All enclosures are built in accordance with UL standards to accommodate switches, indicator lights, and wiring.



NOTICE

To prevent premature failure of components due to excessive heat, remote mounted control enclosures must be installed outside the strip heater heat zone.



Remote Mounted Enclosure Installation Locations

Remote Control Enclosures — RMB Series

RMB Series remote control enclosures are available in various configurations for use with strip heaters. Remote control enclosures locate controls away from the heat of the unit, increasing the life span of the controls. All models are built in accordance with UL standards with toggle switch(es), indicator light(s), and wiring.

Consult the factory for specific remote control enclosure for your application and specific installation information.

NOTE: Refer to the OPTIONS AND ACCESSORIES section for optional Infinite Remote Control Enclosure.

NOTE: RMB Series remote control enclosures require one remote control enclosure per strip heater.

IMPORTANT NOTE:

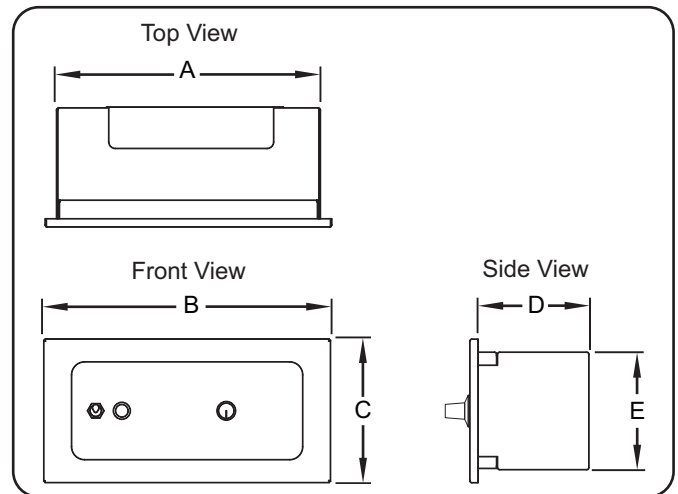
Remote mounted enclosures must be installed in a cool, dry location as far away from any heat zone as possible. Do not mount enclosures directly on, under, or above unit. Do not mount enclosures in direct contact with any heated surface or near any steam generating equipment.

Remote Control Enclosure — RMB2 Series

RMB2 Series remote control enclosures allow multiple strip heaters to be wired to and controlled by a single enclosure. The total amp draw of all connected strip heaters cannot exceed the rating of the remote control enclosure. Consult the factory for information regarding the proper RMB2 Series remote control enclosure for a specific application.

RMB2 Series Dimensions

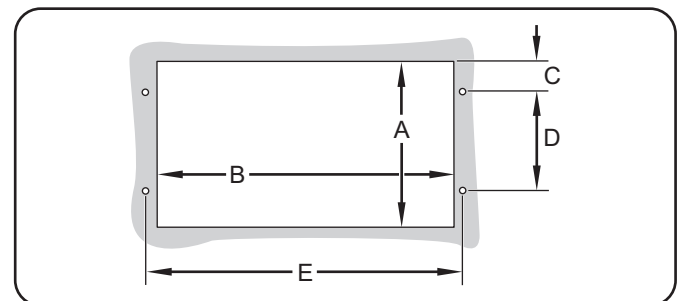
Models	Width (A)	Width (B)	Height (C)	Depth (D)	Height (E)
RMB2-1R	10-1/8" (257 mm)	11" (279 mm)	5-1/2" (140 mm)	4-1/4" (109 mm)	4-5/8" (116 mm)
RMB2-2R	13-1/8" (333 mm)	14" (356 mm)	5-1/2" (140 mm)	4-1/4" (109 mm)	4-5/8" (116 mm)



Dimensions — RMB2s

RMB2 Series Cutout Dimensions

Models	Opening Cutout Dimensions		Screw Hole Dimensions		
	(A)	(B)	(C)	(D)	(E)
RMB2-1R	4-3/4" (121 mm)	10-1/8" (257 mm)	1-1/8" (29 mm)	2-1/2" (64 mm)	10-7/16" (265 mm)
RMB2-2R	4-3/4" (121 mm)	13-1/8" (333 mm)	1-1/8" (29 mm)	2-1/2" (64 mm)	13-7/16" (341 mm)



Cutout Dimensions — RMB2s

General

Use the following information to operate the Glo-Ray® Max Watt Strip Heaters.



WARNING

Read all safety messages in the **IMPORTANT SAFETY INFORMATION** section before operating this equipment.



CAUTION

BURN HAZARD: Some exterior surfaces on unit will get hot. Use caution when touching these areas.

Standard and approved manufacturing oils may smoke up to 30 minutes during initial startup. This is a temporary condition. Operate unit without food product until smoke dissipates.

Controls

Strip heaters come with remote mounted controls. The following is a list of the available controls for the strip heaters.

NOTE: Units cannot be equipped with built-in controls.

ON/OFF (I/O) Toggle Switch—Turns power on and off to the heating elements and/or the lights (depending on control configuration).

Electronic Infinite Switch—Turns on the power and controls the temperature of the heating elements. The electronic infinite control is available on a remote control enclosure.

Lights ON/OFF Toggle Switch—Turns power on and off to the lights.

Indicator Light—Illuminates when power is on, shuts off when power is off.

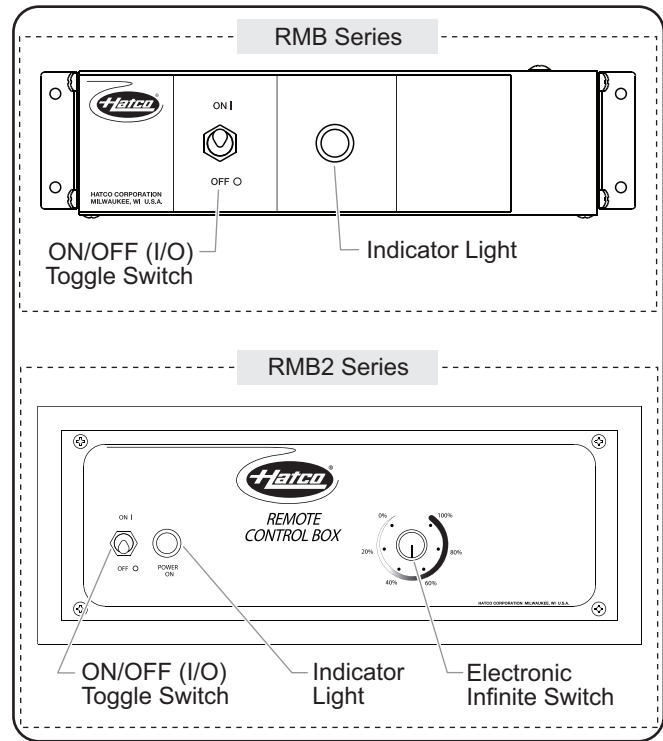
NOTE: Toggle switches cannot be used on circuits that exceed 15 amps.

Startup

1. Turn on the heating element(s). The indicator light (if equipped) will illuminate and the heating elements will energize.
 - If unit is equipped with a ON/OFF (I/O) toggle switch, move the toggle switch to the ON (I) position.
 - If unit is equipped with an optional infinite control(s), turn the control to the desired setting.

NOTE: Allow 15–20 minutes to reach operating temperature.

2. On models equipped with display lights, move the light ON/OFF (I/O) toggle switch to the ON (I) position.



Remote Control Enclosures

Shutdown

1. Move the ON/OFF (I/O) toggle switch to the OFF (O) position or turn the optional infinite control(s) to the OFF (O) position.
 - The indicator light (if equipped) will shut off and the heating elements will shut down.
2. On models equipped with display lights, move the light ON/OFF (I/O) toggle switch to the OFF (O) position.

General

Glo-Ray Max Watt Strip Heaters are designed for maximum durability and performance with minimum maintenance.

⚠ WARNING

ELECTRIC SHOCK HAZARD:

- Turn OFF power switch, turn off power at circuit breaker, and allow unit to cool before performing any cleaning, adjustments, or maintenance.
- **DO NOT submerge or saturate with water. Unit is not waterproof. Do not operate if unit has been submerged or saturated with water.**
- Do not steam clean or use excessive water on unit.
- This unit is not “jet-proof” construction. Do not use jet-clean spray to clean this unit.

This unit has no “user-serviceable” parts. If service is required on this unit, contact an Authorized Hatco Service Agent or contact the Hatco Service Department at 800-558-0607 or 414-671-6350; fax 800-690-2966; or International fax 414-671-3976.

Use only Genuine Hatco Replacement Parts when service is required. Failure to use Genuine Hatco Replacement Parts will void all warranties and may subject operators of the equipment to hazardous electrical voltage, resulting in electrical shock or burn. Genuine Hatco Replacement Parts are specified to operate safely in the environments in which they are used. Some aftermarket or generic replacement parts do not have the characteristics that will allow them to operate safely in Hatco equipment.

NOTICE

Use non-abrasive cleaners and cloths only. Abrasive cleaners and cloths could scratch the finish of the unit, marring its appearance and making it susceptible to soil accumulation.

Daily Cleaning

To preserve the finish of the strip heater, it is recommended that all surfaces be cleaned daily.

1. Turn off the unit and allow the unit to cool.
2. Wipe down all metal surfaces with a water-dampened, non-abrasive cloth. Stubborn stains may be removed with a good stainless steel or non-abrasive cleaner. Clean hard to reach areas using a small brush and mild soap.
3. Wipe dry the entire unit using a non-abrasive, dry cloth.

Replacing Display Light Bulbs

⚠ WARNING

Use only light bulbs that meet or exceed National Sanitation Foundation (NSF) standards and are specifically designed for food holding areas. Breakage of light bulbs not specially coated could result in personal injury and/or food contamination.

The display light is an incandescent or optional halogen bulb that illuminates the warming area. These bulbs have a special coating to guard against injury and food contamination in the event of breakage.

To replace a display light bulb:

1. Disconnect the power supply and wait until the unit has cooled.
2. Unscrew the light bulb from the unit and replace it with a new, specially-coated incandescent or optional halogen bulb.

NOTE: Hatco shatter-resistant light bulbs meet NSF standards for food holding and display areas. For 120, 120/208, and 120/240 volt applications, use Hatco P/N 02.30.043.00.

NOTE: Halogen bulbs are available as an option. For 120, 120/208, and 120/240 volt applications, use Hatco P/N 02.30.081.00.



This unit must be serviced by qualified personnel only. Service by unqualified personnel may lead to electric shock or burn.



ELECTRIC SHOCK HAZARD: Turn OFF power switch, turn off power at circuit breaker, and allow unit to cool before performing any cleaning, adjustments, or maintenance.

Symptom	Probable Cause	Corrective Action
Unit is turned "On" but there is no heat.	No power to unit.	Check circuit breaker and reset as necessary.
	Switch is defective.	Contact Authorized Service Agent or Hatco for assistance.
	Wiring is open.	Contact Authorized Service Agent or Hatco for assistance.
	Heating element defective.	Contact Authorized Service Agent or Hatco for assistance.
Heat is inadequate.	Unit mounted too high above target area.	Lower unit, putting effective heat closer to target.
	Excessive air movement around strip heater target area.	Restrict or redirect air movement (air conditioning duct or exhaust fan) away from unit.
	Incorrect power supply (low).	Check power supply to unit, making sure it matches rating on the unit. If power supply is incorrect, change to match rating on unit.
Heat is excessive.	Unit mounted too close to target area.	Check to see that installation is within specifications for type/model. Increase mounting height if too close.
	Voltage supply too high.	Check power supply to unit, making sure it matches rating on unit. If power supply is incorrect, change to match rating.
Control switches burn out.	Unit mounted improperly.	Move the unit the proper distance away from walls, counters, and/or pass-through shelves. Refer to the INSTALLATION section for guidelines.
	Remote control enclosure is mounted too close to the heat zone.	Move remote control enclosure away from the heat zone. Refer to the INSTALLATION section for guidelines.
	Switches used are not Hatco supplied.	Genuine Hatco Parts are specified to operate safely and properly in the environment in which they are used. Contact Authorized Service Agent or Hatco to replace switches with Genuine Hatco Replacement Parts.

Troubleshooting Questions?

If you continue to have problems resolving an issue, please contact the nearest Authorized Hatco Service Agency or Hatco for assistance. To locate the nearest Service Agency, log onto the Hatco website at www.hatcocorp.com and click on Find Service Agent, or contact the **Hatco Parts and Service Team** at:

- Telephone: 800-558-0607 or 414-671-6350
- e-mail: partsandservice@hatcocorp.com
- Fax: 800-690-2966 or 414-671-3976

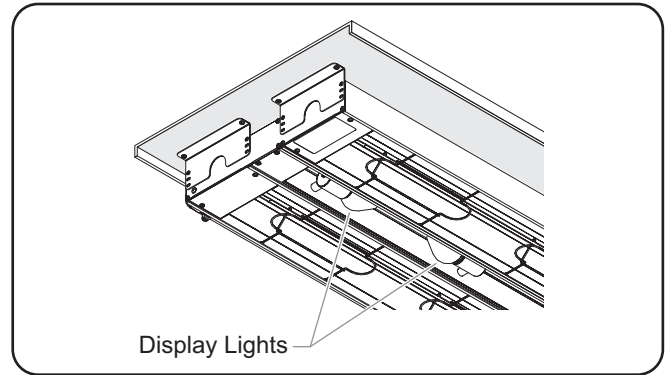
RMB with Infinite Controls

A remote control enclosure with infinite control(s) is available as a factory installed option. It also includes toggle switch(es) and indicator light(s).

Display Lights

Max watt strip heaters may be equipped from the factory with incandescent display lights or halogen display lights to illuminate the warming area.

Hatco shatter-resistant bulbs guard against injury and food contamination in the event of breakage. The display lighting meets National Sanitation Foundation (NSF) standards for food holding and display areas.



Display Lights

NOTE: Display lights cannot be retrofitted to units.

LIMITED WARRANTY

1. PRODUCT WARRANTY

Hatco warrants the products that it manufactures (the "Products") to be free from defects in materials and workmanship, under normal use and service, for a period of one (1) year from the date of purchase when installed and maintained in accordance with Hatco's written instructions or 18 months from the date of shipment from Hatco. Buyer must establish the Product's purchase date by registering the Product with Hatco or by other means satisfactory to Hatco in its sole discretion.

Hatco warrants the following Product components to be free from defects in materials and workmanship from the date of purchase (subject to the foregoing conditions) for the period(s) of time and on the conditions listed below:

a) One (1) Year Parts and Labor PLUS One (1) Additional Year Parts-Only Warranty:

Conveyor Toaster Elements (metal sheathed)
 Drawer Warmer Elements (metal sheathed)
 Drawer Warmer Drawer Rollers and Slides
 Strip Heater Elements (metal sheathed)
 Display Warmer Elements (metal sheathed air heating)
 Holding Cabinet Elements (metal sheathed air heating)
 Heated Well Elements — HW and HWB Series
 (metal sheathed)

b) One (1) Year Parts and Labor PLUS Four (4) Years Parts-Only Warranty:

3CS and FR Tanks

c) One (1) Year Parts and Labor PLUS Nine (9) Years Parts-Only Warranty on:

Electric Booster Heater Tanks
 Gas Booster Heater Tanks

d) Ninety (90) Day Parts-Only Warranty:

Replacement Parts

THE FOREGOING WARRANTIES ARE EXCLUSIVE AND IN LIEU OF ANY OTHER WARRANTY, EXPRESSED OR IMPLIED, INCLUDING BUT NOT LIMITED TO ANY IMPLIED WARRANTY OF MERCHANTABILITY OR FITNESS FOR A PARTICULAR PURPOSE OR PATENT OR OTHER INTELLECTUAL PROPERTY RIGHT INFRINGEMENT. Without limiting the generality of the foregoing, SUCH WARRANTIES DO NOT COVER: Coated incandescent light bulbs, fluorescent lights, heat lamp bulbs, coated halogen light bulbs, halogen heat lamp bulbs, xenon light bulbs, LED light tubes, glass components, and fuses; Product failure in booster tank, fin tube heat exchanger, or other water heating equipment caused by liming, sediment buildup, chemical attack, or freezing; or Product misuse, tampering or misapplication, improper installation, or application of improper voltage.

2. LIMITATION OF REMEDIES AND DAMAGES

Hatco's liability and Buyer's exclusive remedy hereunder will be limited solely, at Hatco's option, to repair or replacement using new or refurbished parts or Product by Hatco or a Hatco-authorized service agency (other than where Buyer is located outside of the United States, Canada, United Kingdom, or Australia, in which case Hatco's liability and Buyer's exclusive remedy hereunder will be limited solely to replacement of part under warranty) with respect to any claim made within the applicable warranty period referred to above. Hatco reserves the right to accept or reject any such claim in whole or in part. In the context of this Limited Warranty, "refurbished" means a part or Product that has been returned to its original specifications by Hatco or a Hatco-authorized service agency. Hatco will not accept the return of any Product without prior written approval from Hatco, and all such approved returns shall be made at Buyer's sole expense. HATCO WILL NOT BE LIABLE, UNDER ANY CIRCUMSTANCES, FOR CONSEQUENTIAL OR INCIDENTAL DAMAGES, INCLUDING BUT NOT LIMITED TO LABOR COSTS OR LOST PROFITS RESULTING FROM THE USE OF OR INABILITY TO USE THE PRODUCTS OR FROM THE PRODUCTS BEING INCORPORATED IN OR BECOMING A COMPONENT OF ANY OTHER PRODUCT OR GOODS.

Informations Importantes pour le Propriétaire	18	Installation d'unités Suspendues à des Chaînes	27
Introduction	18	Informations sur le câblage électrique	28
Consignes de Sécurité Importantes	19	Compartiment de contrôle à distance	29
Description du Modèle	20	Mode d'emploi	30
Désignation du Modèle	20	Généralités	30
Caractéristiques Techniques	21	Maintenance	31
Tableau des caractéristiques électriques	21	Généralités	31
Dimensions	23	Nettoyage quotidien	31
Installation	24	Remplacement du tube d'éclairage	31
Généralités	24	Guide de Dépannage	32
Hauteurs Recommandées pour le Montage	25	Options et Accessoires	33
Exigences en matière de dégagements minimum	25	Garantie Limitée	33
Installation d'unités Permanentes	26	Autorisés Distributeurs de Pièces	Couverture Arrière

INFORMATIONS IMPORTANTES POUR LE PROPRIÉTAIRE

Notez le numéro de modèle, le numéro de série, la tension et la date d'achat de l'appareil dans les espaces ci-dessous (étiquette de spécification située sur le côté de l'appareil). Veuillez avoir cette information à portée de la main si vous appelez Hatco pour assistance.

Modèle No. _____

Numéro de série _____

Voltage _____

Date d'achat _____

Enregistrez votre appareil!

Remplissez la garantie en ligne pour éviter les retards pour faire jouer la garantie. Accédez au site Web Hatco www.hatcocorp.com, sélectionnez le menu déroulant Parts & Service, puis cliquez sur Warranty Registration.

Horaires

ouvrables: 8h00 à 17h00
 Heure du Centre des États-Unis (CST)
 (Horaires d'été : juin à septembre—
 8h00 à 17h00 CST du lundi au jeudi
 8h00 à 14h30 CST le vendredi)

Téléphone: 800-558-0607; 414-671-6350

Courriel: partsandservice@hatcocorp.com

Télécopieur: 800-690-2966 (Pièces et Service après-vente)
 414-671-3976 (Internationale)



Service d'assistance et de pièces de rechange disponible 7j/7, 24h/24 aux États-Unis et au Canada en composant le 800-558-0607.

Des renseignements supplémentaires sont disponibles sur notre site Web à www.hatcocorp.com.

INTRODUCTION

Les rampes chauffantes Glo-Ray® Max Watt de Hatco garantissent une durée de conservation des aliments maximale et minimisent le risque de maladies d'origine alimentaire. Une sécurité et une qualité optimales sont le résultat de la conservation des aliments aux bonnes températures de service en utilisant les modèles de transferts thermiques préétablis par Glo-Ray. Les modèles de transferts thermiques préétablis empêchent les aliments d'être trop cuits au milieu et tièdes sur les bords en concentrant les températures plus élevées vers les bords extérieurs des surfaces de service, où la perte de chaleur est la plus importante. Grâce à des réflecteurs spécialement conçus pour diriger la chaleur depuis l'élément, les rampes chauffantes Glo-Ray permettent aux aliments de conserver des températures de service bien réparties en toute sécurité et ce, sans les cuire au-delà de leur point de cuisson optimal.

Les rampes chauffantes Glo-Ray Max Watt sont disponibles en sortie d'usine avec ou sans lampes à incandescence résistantes à l'éclatement destinées à éclairer la zone de chauffage. Ces ampoules possèdent un enduit spécial destiné à éviter toute blessure et toute contamination des éléments en cas de casse.

Les rampes chauffantes Glo-Ray Max Watt sont des produits issus d'une recherche approfondie qui ont subi des essais pratiques. Les matériaux utilisés ont été sélectionnés pour un maximum de durabilité, d'aspect esthétique et de performance optimum. Chaque appareil est minutieusement inspecté et testé avant expédition.

Ce manuel fournit les consignes d'installation, de sécurité et de fonctionnement des rampes chauffantes Glo-Ray Max Watt. Hatco vous recommande de lire l'ensemble des instructions d'installation, de sécurité et de fonctionnement contenues dans ce manuel avant d'installer et d'utiliser l'appareil.

Les consignes de sécurité qui apparaissent dans ce manuel sont identifiées par les mots indicateurs suivants :

AVERTISSEMENT

AVERTISSEMENT indique une situation dangereuse qui, si elle n'est pas évitée, peut provoquer la mort ou des blessures graves.

ATTENTION

ATTENTION indique une situation dangereuse qui, si elle n'est pas évitée, peut provoquer des blessures légères ou moyennes.

AVIS

AVIS est utilisé pour des questions sans rapport avec des blessures corporelles.



Lisez l'information de sécurité importante suivante avant d'utiliser cet équipement pour éviter des dommages ou la mort sérieux et pour éviter d'endommager l'équipement ou la propriété.

⚠ AVERTISSEMENT

DANGER DE DÉCHARGE ÉLECTRIQUE :

- Les appareils requièrent un branchement câblé au système électrique local. Le câblage doit être mis à la terre de manière appropriée. Son voltage, ses dimensions et sa configuration doivent également correspondre aux spécifications électriques de l'appareil. Contactez un électricien qualifié pour procéder au choix et à l'installation des branchements électriques adaptés.
- Mettez l'interrupteur sur « ARRÊT », coupez le courant au disjoncteur et laissez refroidir l'appareil avant d'effectuer toute opération de nettoyage, de réglage ou d'entretien.
- NE PAS immerger l'appareil ni le saturer d'eau. L'appareil n'est pas étanche à l'eau. Ne pas le faire fonctionner s'il a été immergé ou saturé d'eau.
- Ne pas nettoyer à la vapeur ni utiliser trop d'eau sur l'appareil.
- Cet appareil n'est pas étanche aux jets. Ne pas utiliser de jet sous pression pour nettoyer l'appareil.
- Utilisez uniquement des pièces de rechange d'origine Hatco lorsque l'entretien est nécessaire. Utilisez des pièces détachées Hatco authentiques sous peine d'annuler toutes les garanties et d'exposer l'utilisateur à des tensions électriques dangereuses pouvant entraîner une électrocution ou des brûlures. Les pièces de rechange authentiques Hatco sont spécifiées pour fonctionner en toute sécurité dans les environnements dans lesquels elles sont utilisées. Certaines pièces de rechange génériques ou d'après-vente n'ont pas les caractéristiques qui leur permettent d'opérer en toute sécurité dans les équipements Hatco.

RISQUE D'INCENDIE: N'installez pas les rampes chauffantes Max Watt au-dessus ou à proximité de surfaces combustibles, sous peine de subir une décoloration ou une combustion. Les rampes chauffantes Max Watt doivent être installées dans un environnement non combustible uniquement.

RISQUE D'EXPLOSION: Ne conservez pas ou n'utilisez pas d'essence ou d'autres vapeurs ou liquides inflammables à proximité de cet appareil ou de tout autre appareil.

N'utiliser que des ampoules électriques qui correspondent ou qui dépassent les standards de la Fondation Nationale des Affaires Sanitaires (NSF) et qui sont spécifiquement conçus pour les espaces de conservation des aliments. La casse d'ampoules électriques non enduites de manière spécifique pourrait entraîner des lésions corporelles et/ou une contamination des aliments.

Cet appareil ne doit pas être utilisé par des enfants ou des personnes avec des capacités physiques, sensorielles ou mentales diminuées. Assurez-vous que les enfants sont bien surveillés et tenez-les à l'écart de l'appareil.

Assurez-vous que tous les opérateurs ont été formés à l'utilisation sûre et correcte de l'appareil.

S'assurer que le produit alimentaire a été chauffé à une température adaptée au maintien de sa salubrité avant de le mettre dans l'appareil sous peine de risques graves pour la santé. Cet appareil est destiné au maintien au chaud de produits alimentaires préchauffés uniquement.

Cet appareil ne contient aucune pièce réparable par l'utilisateur. Si cet appareil doit être réparé, contacter un réparateur Hatco agréé ou le Service après-vente Hatco au 800-558-0607 ou 414-671-6350 ; télécopieur 800-690-2966; télécopieur internationale 414-671-3976.

⚠ AVERTISSEMENT

Pour l'installation avec des chaînes, assurez-vous que les chaînes sont suffisamment résistantes et qu'elles sont solidement fixées à la fois sur le réchauffeur de bande et sur l'espace de montage. Des chaînes mal installées peuvent entraîner le relâchement et la chute du réchauffeur. Ne rien placer sur des réchauffeurs installés avec des chaînes.

⚠ ATTENTION

DANGER DE BRÛLURE : Certaines surfaces extérieures de l'appareil deviennent chaudes. Toucher ces zones de l'appareil avec précaution.

Les graisses standards et approuvées utilisées lors de la fabrication peuvent provoquer des fumées au cours du démarrage initial pendant 30 minutes. Il s'agit d'un état temporaire. Utilisez l'appareil sans produit alimentaire jusqu'à ce que la fumée disparaisse.

Les rampes chauffantes équipées de lumières incandescentes qui nécessitent un disjoncteur de plus de 20 ampères pour l'élément chauffant doivent avoir un disjoncteur séparé pour les lumières incandescentes de 20 ampères ou moins.

Assurez-vous que le fonctionnement est sûr et adapté. Référez-vous aux « Exigences d'espace minimum » indiquées dans la section Installation de ce manuel.

AVIS

L'installation de deux appareils ou plus avec moins de 3 po (76 mm) entre les boîtiers peut entraîner le défaut prématuré des composants. La chaleur due à l'incapacité de fournir un espacement adapté peut entraîner des dommages des composants électriques qui ne sont pas couverts par la garantie.

Les unités ne fonctionnent qu'à la tension spécifiée. Reportez-vous à l'étiquette des caractéristiques des exigences électriques avant de commencer l'installation.

Ne masquez pas une rampe chauffante montée sur un passe-plat avec une sous-face décorative. Une température excessive peut entraîner une panne de l'unité.

Pour éviter une défaillance prématurée des composants due à une chaleur excessive, les compartiments de contrôle à distance doivent être installés à l'extérieur de la zone de chaleur des rampes chauffantes.

Les dommages pouvant être causés au dessus de comptoir par l'équipement de Hatco ne sont pas couverts par la garantie de Hatco. Contactez le fabricant du comptoir pour les informations concernant l'application.

Utilisez seulement des nettoyants non abrasifs et des chiffons doux. Les chiffons et nettoyant abrasifs pourraient érafler la finition de l'unité, entachant son apparence et la rendant susceptible à l'accumulation de saleté.

Ne placez pas l'appareil dans un endroit où la circulation de l'air est trop forte. Évitez les zones pouvant être soumises à des mouvements d'air ou à des courants d'air actifs (c.-à-d. à proximité de ventilateurs / capots d'échappement, conduites de climatisation et portes donnant sur l'extérieur).

Tous les Modèles

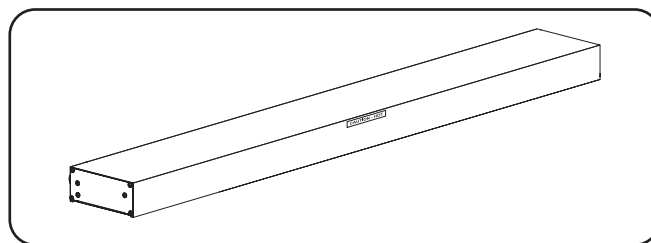
Les rampes chauffantes Glo-Ray® Max Watt de Hatco gardent les aliments chauds à des températures de service optimales plus longtemps. Les aliments ne se dessèchent et ne se décolorent pas ; même les plats les plus délicats donnent l'impression de tout juste sortir du fourneau. Les modèles de transferts thermiques préétablis de Glo-Ray dirigent la chaleur émise par un élément tubulaire afin qu'elle baigne entièrement la surface de service.

Les rampes chauffantes Glo-Ray Max Watt sont équipées de boîtiers en aluminium de longueurs comprises entre 457 mm (18") et 3 658 mm (144").

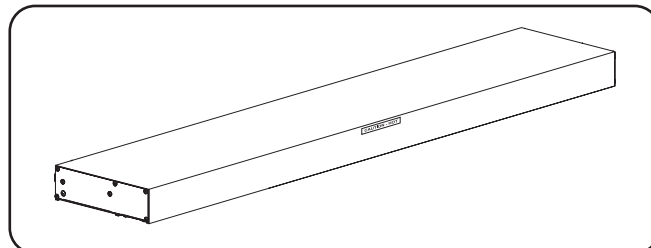
Les modèles doubles permettent d'installer côte à côte deux rampes afin de chauffer une surface de service plus large (les modèles doubles sont construits avec une entretoise standard de 76 mm [3"] ou 152 mm [6"] entre les éléments de chauffage).

Toutes les rampes chauffantes Glo-Ray Max Watt présentent plusieurs options de montage. Commutateurs électroniques à progression, éclairage incandescent et halogène sont disponibles en option.

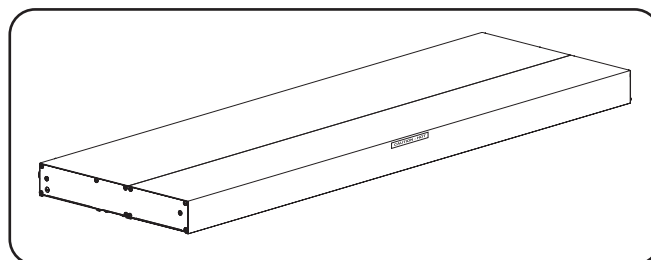
- GRAM-XX:** Boîtier en aluminium, profondeur élément simple
- GRAML-XX:** Boîtier en aluminium, éclairage incandescent, profondeur élément simple
- GRAM-XXD:** Boîtier en aluminium, profondeur élément double
- GRAML-XXD:** Boîtier en aluminium, éclairage incandescent, profondeur élément double



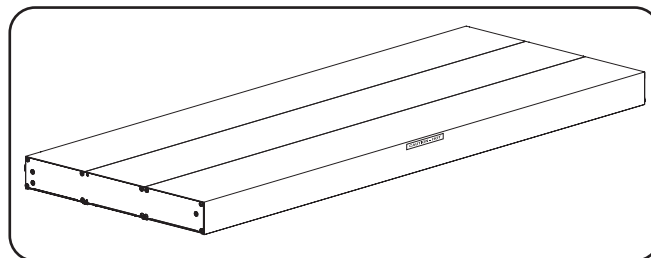
Modèle GRAM-48



Modèle GRAML-48

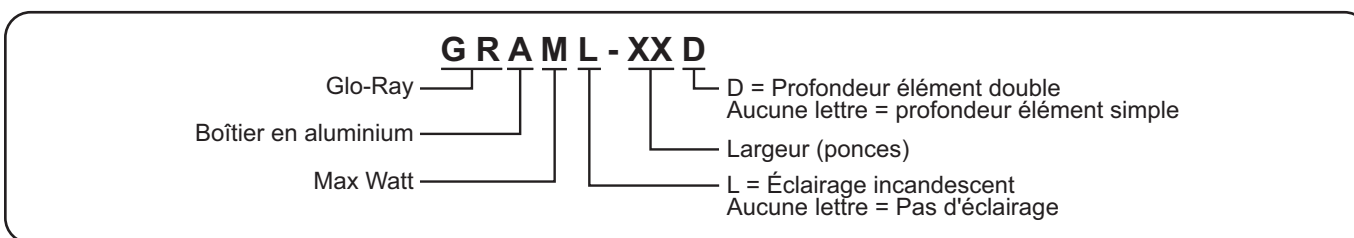


Modèle GRAML-48D avec entretoise de 76 mm (3")



Modèle GRAML-48D avec entretoise de 152 mm (6")

DÉSIGNATION DU MODÈLE



**Tableau des caractéristiques électriques
— Modèles GRAM**

Modèle GRAM-18	Watts: 450	Poids: 6 lbs. (3 kg)*
Voltage	120 208 240	
Amps	3.8 2.2 1.9	
Modèle GRAM-24	Watts: 650	Poids: 7 lbs. (3 kg)*
Voltage	120 208 240	
Amps	5.4 3.1 2.7	
Modèle GRAM-30	Watts: 825	Poids: 8 lbs. (4 kg)*
Voltage	120 208 240	
Amps	6.9 4.0 3.4	
Modèle GRAM-36	Watts: 1000	Poids: 9 lbs. (4 kg)*
Voltage	120 208 240	
Amps	8.3 4.8 4.2	
Modèle GRAM-42	Watts: 1175	Poids: 10 lbs. (5 kg)*
Voltage	120 208 240	
Amps	9.8 5.6 4.9	
Modèle GRAM-48	Watts: 1300	Poids: 11 lbs. (5 kg)*
Voltage	120 208 240	
Amps	10.8 6.3 5.4	
Modèle GRAM-54	Watts: 1500	Poids: 13 lbs. (6 kg)*
Voltage	120 208 240	
Amps	12.5 7.2 6.3	
Modèle GRAM-60	Watts: 1700	Poids: 14 lbs. (6 kg)*
Voltage	120 208 240	
Amps	14.2 8.2 7.1	
Modèle GRAM-66†	Watts: 1875	Poids: 16 lbs. (7 kg)*
Voltage	120 208 240	
Amps	15.6 9.0 7.8	
Modèle GRAM-72†	Watts: 2075	Poids: 17 lbs. (8 kg)*
Voltage	120 208 240	
Amps	17.3 10.0 8.6	
Modèle GRAM-84†	Watts: 2400	Poids: 19 lbs. (9 kg)*
Voltage	120 208 240	
Amps	20.0 11.5 10.0	
Modèle GRAM-96†	Watts: 2675	Poids: 21 lbs. (10 kg)*
Voltage	120 208 240	
Amps	22.3 12.9 11.1	
Modèle GRAM-108†•	Watts: 3000	Poids: 23 lbs. (10 kg)*
Voltage	120 208 240	
Amps	--- 14.4 12.5	
Modèle GRAM-120†•	Watts: 3400	Poids: 26 lbs. (12 kg)*
Voltage	120 208 240	
Amps	--- 16.4 14.2	
Modèle GRAM-132†•	Watts: 3750	Poids: 30 lbs. (14 kg)*
Voltage	120 208 240	
Amps	--- 18.0 15.6	
Modèle GRAM-144†•	Watts: 4150	Poids: 33 lbs. (15 kg)*
Voltage	120 208 240	
Amps	--- 20.0 17.3	

**Tableau des caractéristiques électriques
— Modèles GRAML**

Modèle GRAML-18	Watts: 570	Poids: 9 lbs. (4 kg)*
Voltage	120 120/208 120/240	
Amps	4.8 3.2 2.9	
Modèle GRAML-24	Watts: 770	Poids: 10 lbs. (5 kg)*
Voltage	120 120/208 120/240	
Amps	6.4 4.1 3.7	
Modèle GRAML-30	Watts: 945	Poids: 11 lbs. (5 kg)*
Voltage	120 120/208 120/240	
Amps	7.9 5.0 4.4	
Modèle GRAML-36	Watts: 1180	Poids: 13 lbs. (6 kg)*
Voltage	120 120/208 120/240	
Amps	9.8 6.3 5.7	
Modèle GRAML-42	Watts: 1355	Poids: 15 lbs. (7 kg)*
Voltage	120 120/208 120/240	
Amps	11.3 7.1 6.4	
Modèle GRAML-48	Watts: 1540	Poids: 17 lbs. (8 kg)*
Voltage	120 120/208 120/240	
Amps	12.8 8.3 7.4	
Modèle GRAML-54	Watts: 1740	Poids: 19 lbs. (9 kg)*
Voltage	120 120/208 120/240	
Amps	14.5 9.2 8.3	
Modèle GRAML-60	Watts: 2000	Poids: 21 lbs. (10 kg)*
Voltage	120 120/208 120/240	
Amps	16.7 10.7 9.6	
Modèle GRAML-66†	Watts: 2175	Poids: 22 lbs. (10 kg)*
Voltage	120 120/208 120/240	
Amps	18.1 11.5 10.3	
Modèle GRAML-72†	Watts: 2435	Poids: 24 lbs. (11 kg)*
Voltage	120 120/208 120/240	
Amps	20.3 13.0 11.6	
Modèle GRAML-84†	Watts: 2820	Poids: 28 lbs. (13 kg)*
Voltage	120 120/208 120/240	
Amps	23.5 15.0 13.5	
Modèle GRAML-96†	Watts: 3155	Poids: 32 lbs. (15 kg)*
Voltage	120 120/208 120/240	
Amps	26.3 16.9 15.1	
Modèle GRAML-108†•	Watts: 3540	Poids: 36 lbs. (16 kg)*
Voltage	120 120/208 120/240	
Amps	--- 18.9 17.0	
Modèle GRAML-120†•	Watts: 4000	Poids: 40 lbs. (18 kg)*
Voltage	120 120/208 120/240	
Amps	--- 21.3 19.2	
Modèle GRAML-132†•	Watts: 4410	Poids: 44 lbs. (20 kg)*
Voltage	120 120/208 120/240	
Amps	--- 23.5 21.1	
Modèle GRAML-144†•	Watts: 4870	Poids: 48 lbs. (22 kg)*
Voltage	120 120/208 120/240	
Amps	--- 26.0 23.3	

■ Peut nécessiter des interrupteurs supplémentaires, contactez l'usine pour toute application.

† Les modèles Glo-Ray de 1 676 mm (66") à 3 658 mm (144") contiennent des éléments en tandem (bout-à-bout) pouvant être contrôlés indépendamment.

• Non disponible en 120 volts.

* Ajoutez 1 à 3 kg (2 à 8 lb) au poids de l'expédition selon la taille du boîtier de contrôle à distance.

NOTA: Les modèles GRAML pour lesquels plusieurs voltages sont indiqués, comme 120/208 ou 120/240, ont plusieurs circuits internes. Par exemple, un appareil de 120/208 volts utilise 120 volts pour le circuit luminaire et 208 volts pour le(s) circuit(s) chauffant(s). Consultez le diagramme électrique fourni avec l'appareil pour de plus amples informations.

ATTENTION Les rampes chauffantes équipées d'un éclairage qui nécessite un disjoncteur de 20 ampères ou plus doivent être installées avec un boîtier de contrôle à distance contenant un fusible de 20 ampères ou moins pour le circuit d'éclairage.

Tableau des caractéristiques électriques — Modèles GRAM-XXD

Modèle GRAM-18D	Watts: 900	Poids: 14 lbs. (6 kg)*
Voltage	120 208 240	
Amps	7.5 4.3 3.8	
Modèle GRAM-24D	Watts: 1300	Poids: 16 lbs. (7 kg)*
Voltage	120 208 240	
Amps	10.8 6.3 5.4	
Modèle GRAM-30D	Watts: 1650	Poids: 18 lbs. (8 kg)*
Voltage	120 208 240	
Amps	13.8 7.9 6.9	
Modèle GRAM-36D	Watts: 2000	Poids: 21 lbs. (10 kg)*
Voltage	120 208 240	
Amps	16.7 9.6 8.3	
Modèle GRAM-42D	Watts: 2350	Poids: 24 lbs. (11 kg)*
Voltage	120 208 240	
Amps	19.6 11.3 9.8	
Modèle GRAM-48D	Watts: 2600	Poids: 27 lbs. (12 kg)*
Voltage	120 208 240	
Amps	21.7 12.5 10.8	
Modèle GRAM-54D	Watts: 3000	Poids: 30 lbs. (14 kg)*
Voltage	120 208 240	
Amps	25.0 14.4 12.5	
Modèle GRAM-60D	Watts: 3400	Poids: 34 lbs. (15 kg)*
Voltage	120 208 240	
Amps	28.3 16.3 14.2	
Modèle GRAM-66D †	Watts: 3750	Poids: 37 lbs. (17 kg)*
Voltage	120 208 240	
Amps	31.3 18.0 15.6	
Modèle GRAM-72D †	Watts: 4150	Poids: 41 lbs. (19 kg)*
Voltage	120 208 240	
Amps	34.6 20.0 17.3	
Modèle GRAM-84D †	Watts: 4800	Poids: 44 lbs. (20 kg)*
Voltage	--- 208 240	
Amps	--- 23.1 20.0	
Modèle GRAM-96D †	Watts: 5350	Poids: 52 lbs. (24 kg)*
Voltage	--- 208 240	
Amps	--- 25.7 22.3	
Modèle GRAM-108D †	Watts: 6000	Poids: 59 lbs. (27 kg)*
Voltage	--- 208 240	
Amps	--- 28.9 25.0	
Modèle GRAM-120D †	Watts: 6800	Poids: 66 lbs. (30 kg)*
Voltage	--- 208 240	
Amps	--- 32.7 28.3	
Modèle GRAM-132D †	Watts: 7500	Poids: 73 lbs. (33 kg)*
Voltage	--- 208 240	
Amps	--- 36.1 31.2	
Modèle GRAM-144D †	Watts: 8300	Poids: 80 lbs. (36 kg)*
Voltage	--- 208 240	
Amps	--- 39.9 34.6	

■ Peut nécessiter des interrupteurs supplémentaires, contactez l'usine pour toute application.

† Les modèles Glo-Ray de 1 676 mm (66") à 3 658 mm (144") contiennent des éléments en tandem (bout-à-bout) pouvant être contrôlés indépendamment.

• Non disponible en 120 volts.

* Ajoutez 1 à 3 kg (2 à 8 lb) au poids de l'expédition selon la taille du boîtier de contrôle à distance.

NOTA: Les modèles GRAML-XXD pour lesquels plusieurs voltages sont indiqués, comme 120/208 ou 120/240, ont plusieurs circuits internes. Par exemple, un appareil de 120/208 volts utilise 120 volts pour le circuit lumineux et 208 volts pour le(s) circuit(s) chauffant(s). Consultez le diagramme électrique fourni avec l'appareil pour de plus amples informations.

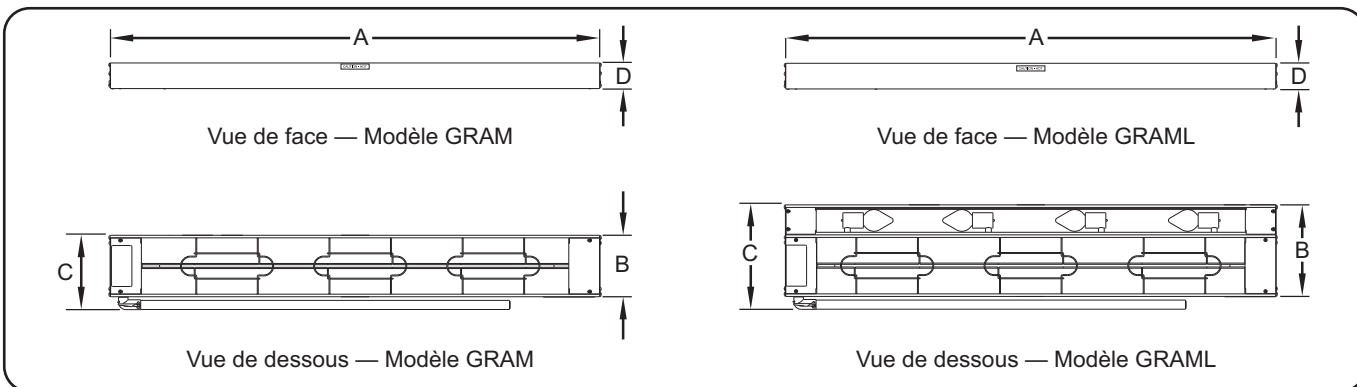
Tableau des caractéristiques électriques — Modèles GRAML-XXD

Modèle GRAML-18D	Watts: 1020	Poids: 14 lbs. (6 kg)*
Voltage	120 120/208 120/240	
Amps	8.5 5.3 4.8	
Modèle GRAML-24D	Watts: 1420	Poids: 16 lbs. (7 kg)*
Voltage	120 120/208 120/240	
Amps	11.8 7.3 6.4	
Modèle GRAML-30D	Watts: 1770	Poids: 19 lbs. (9 kg)*
Voltage	120 120/208 120/240	
Amps	14.8 8.9 7.9	
Modèle GRAML-36D	Watts: 2180	Poids: 22 lbs. (10 kg)*
Voltage	120 120/208 120/240	
Amps	18.2 11.1 9.8	
Modèle GRAML-42D	Watts: 2530	Poids: 25 lbs. (11 kg)*
Voltage	120 120/208 120/240	
Amps	21.1 12.8 11.3	
Modèle GRAML-48D	Watts: 2840	Poids: 29 lbs. (13 kg)*
Voltage	120 120/208 120/240	
Amps	23.7 14.5 12.8	
Modèle GRAML-54D	Watts: 3240	Poids: 33 lbs. (15 kg)*
Voltage	120 120/208 120/240	
Amps	27.0 16.4 14.5	
Modèle GRAML-60D	Watts: 3700	Poids: 37 lbs. (17 kg)*
Voltage	120 120/208 120/240	
Amps	30.8 18.8 16.7	
Modèle GRAML-66D †	Watts: 4050	Poids: 39 lbs. (18 kg)*
Voltage	120 120/208 120/240	
Amps	33.8 20.5 18.1	
Modèle GRAML-72D †	Watts: 4510	Poids: 42 lbs. (19 kg)*
Voltage	120 120/208 120/240	
Amps	37.6 23.0 20.3	
Modèle GRAML-84D †	Watts: 5220	Poids: 47 lbs. (21 kg)*
Voltage	120 120/208 120/240	
Amps	43.5 26.6 23.5	
Modèle GRAML-96D †	Watts: 5830	Poids: 56 lbs. (25 kg)*
Voltage	120 120/208 120/240	
Amps	48.6 29.7 26.3	
Modèle GRAML-108D †	Watts: 6540	Poids: 64 lbs. (29 kg)*
Voltage	--- 120/208 120/240	
Amps	--- 33.3 29.5	
Modèle GRAML-120D †	Watts: 7400	Poids: 72 lbs. (33 kg)*
Voltage	--- 120/208 120/240	
Amps	--- 37.7 33.3	
Modèle GRAML-132D †	Watts: 8160	Poids: 79 lbs. (36 kg)*
Voltage	--- 120/208 120/240	
Amps	--- 41.6 36.8	
Modèle GRAML-144D †	Watts: 9020	Poids: 86 lbs. (39 kg)*
Voltage	--- 120/208 120/240	
Amps	--- 45.9 40.6	

ATTENTION Les rampes chauffantes équipées d'un éclairage qui nécessite un disjoncteur de 20 ampères ou plus doivent être installées avec un boîtier de contrôle à distance contenant un fusible de 20 ampères ou moins pour le circuit d'éclairage.

Dimensions — Modèles GRAM and GRAML

Modèle	Largeur (A)	Profondeur (B)	Profondeur (C)	Hauteur (D)
GRAM	457–3658 mm (18"–144")	152 mm (6")	184 mm (7-1/4")	64 mm (2-1/2")
GRAML	457–3658 mm (18"–144")	229 mm (9")	259 mm (10-1/4")	64 mm (2-1/2")

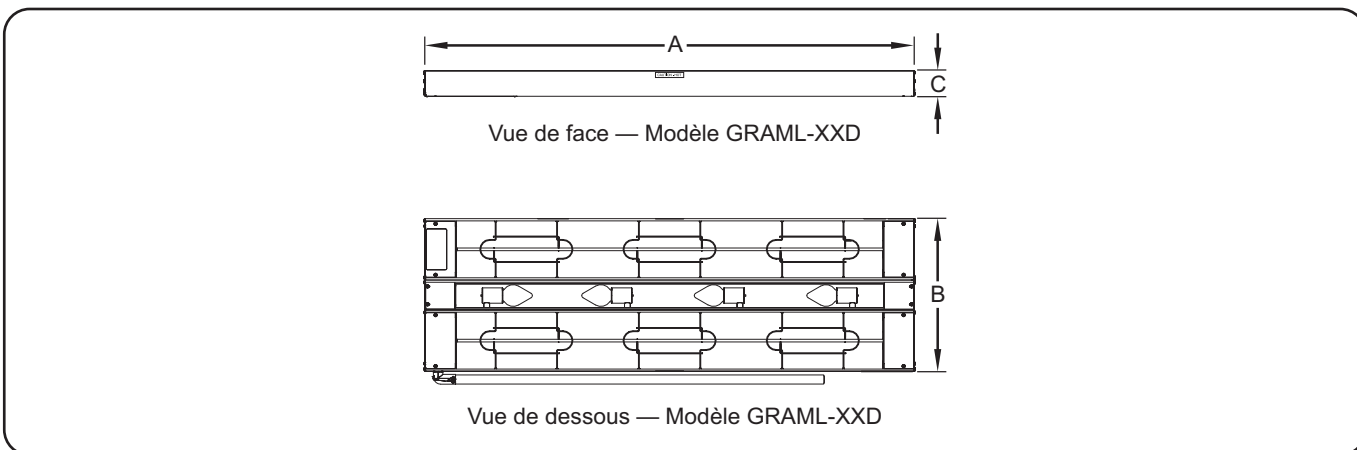


Dimensions - Rampes chauffantes à élément simple

Dimensions — Modèles GRAM-XXD and GRAML-XXD

Modèle	Largeur (A)	Profondeur (B)*	Hauteur (C)
GRAM-XXD et GRAML-XXD	457–3658 mm (18"–144")	381 mm (15")	64 mm (2-1/2")

* Les dimensions affichées sont standard avec une entretoise de 76 mm (3") ; en cas d'utilisation d'une entretoise de 152 mm (6"), ajoutez 76 mm (3").



Dimensions - Rampes chauffantes à élément double

Généralités

Utilisez les informations contenues dans cette section pour préparer et installer des rampes chauffantes Max Watt. Assurez-vous d'appliquer les informations spécifiques au type d'installation. Lors de l'expédition, la plupart des composants des rampes chauffantes Max Watt sont pré-assemblés. Les unités doubles sont disponibles avec un espaceur nécessaire de 76 mm (3") ou 152 mm (6") pré-assemblé à l'usine.

Le boîtier de commande à distance et le matériel de montage disponible en option doivent être installés sur place.

AVERTISSEMENT

RISQUE D'INCENDIE: N'installez pas les rampes chauffantes Max Watt au-dessus ou à proximité de surfaces combustibles, sous peine de subir une décoloration ou une combustion. Les rampes chauffantes Max Watt doivent être installées dans un environnement non combustible uniquement.

ATTENTION

Assurer un fonctionnement sûr et adapté. Référez-vous aux "Exigences d'approbation minimum" indiquées dans la section Installation de ce manuel.

AVIS

Ne masquez pas une rampe chauffante montée sur un passe-plat avec une sous-face décorative. Une température excessive peut entraîner une panne de l'unité.

Les dommages pouvant être causés au dessus de comptoir par l'équipement de Hatco ne sont pas couverts par la garantie de Hatco. Contactez le fabricant du comptoir pour les informations concernant l'application.

NOTA: Contactez le fabricant du matériel de base du comptoir pour des informations concernant l'application et les limites de température à la surface avant d'installer l'appareil.

1. Retirez l'appareil du carton de livraison et retirez tous les éléments d'emballage.

NOTA: Pour éviter des retards dans l'obtention de la couverture de la garantie, complétez l'enregistrement en ligne de votre garantie. Lisez la section INFORMATIONS IMPORTANTES POUR LE PROPRIETAIRE pour plus de détails.

2. Retirez le ruban et l'emballage de protection de toutes les surfaces de l'appareil.

NOTE: Si l'appareil dispose d'un équipement optionnel, lisez la section OPTIONS ET ACCESSOIRES à la fin de ce manuel.

3. Installez/montez l'unité dans un endroit approprié.
 - a. Vérifiez que les hauteurs de montage recommandées et les dégagements minimaux exigés soient respectés pour le modèle approprié. Reportez-vous à « Hauteurs recommandées de montage » et « Dégagement minimal requis » dans cette section.
 - b. Pour l'installation d'une unité permanente, reportez-vous à « Installation d'unités permanentes » dans cette section.
 - c. Pour l'installation d'unités suspendues par chaînes, reportez-vous à « Installation d'unités suspendues par des chaînes » dans cette section.

Montage Double

Lorsque vous montez des appareils côte à côte, un espace de plus de 3" (76 mm) doit être maintenu entre les appareils. Les unités doubles commandés à l'usine sont expédiées avec un espaceur pré-assemblé de 3" (76 mm) ou de 6" (152 mm).

AVIS

L'installation de deux appareils ou plus avec moins de 3" (76 mm) entre les boîtiers peut entraîner la défaillance prématurée des composants. La chaleur due à l'incapacité de fournir un espacement adapté peut entraîner des dommages des composants électriques qui ne sont pas couverts par la garantie.

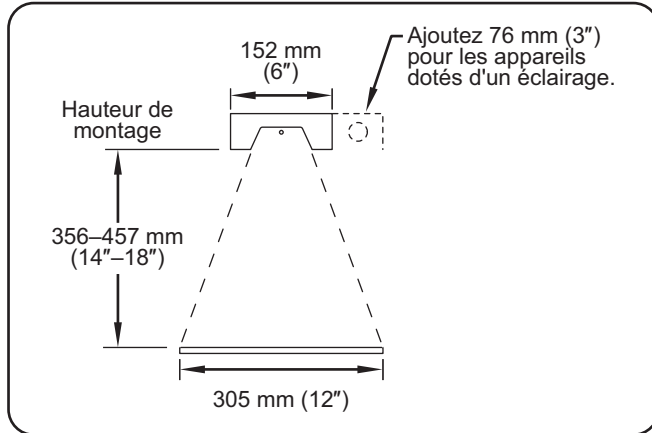
Montage sous une étagère

Lorsque vous montez une unité sous une étagère, utilisez des cornières pour assurer un espacement approprié. Les boîtiers de contrôle à distance sont recommandés pour maintenir les interrupteurs en dehors de la zone de chaleur et éviter toute défaillance prématurée.

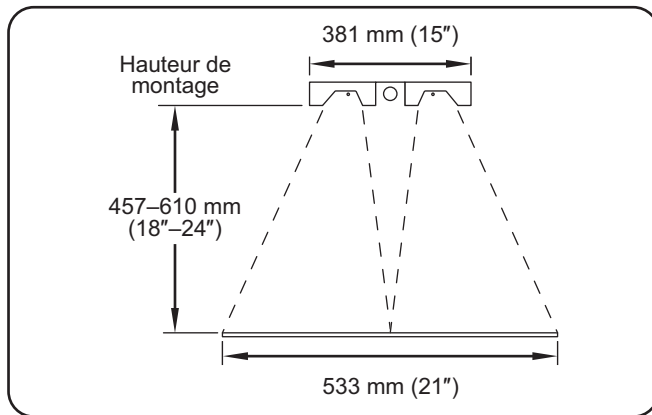
Passage des Plats

Si la zone de passage mesure 305 à 406 mm (12 à 16") de profondeur, un appareil simple peut être utilisé. Pour une zone de passage d'une profondeur de 508 à 610 mm (20 à 24"), un appareil double est recommandé. L'installation de plusieurs appareils requiert un espacement minimum de 76 mm (3") entre les rampes chauffantes.

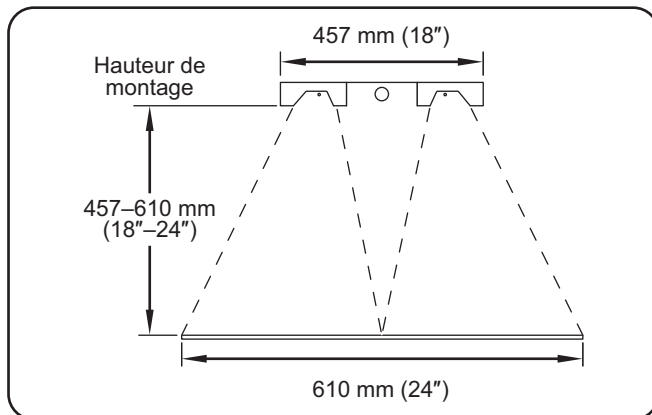
Hauteurs recommandées pour le montage



Hauteur de montage recommandée pour les modèles GRAM et GRAML de toutes longueurs (hors modèles doubles).



Hauteur de montage recommandée pour les modèles GRAM-XXD et GRAML-XXD avec une entretoise de 76 mm (3") de toutes longueurs.



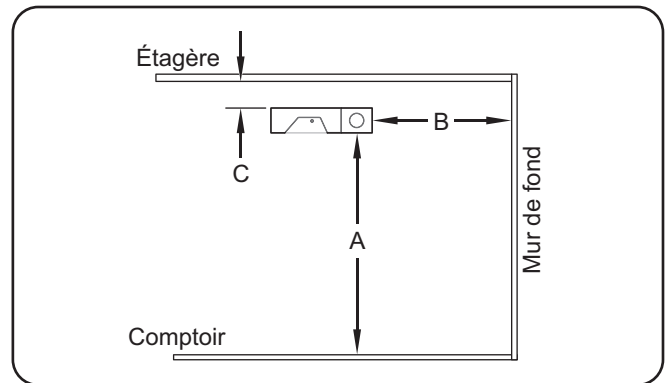
Hauteur de montage recommandée pour les modèles GRAM-XXD et GRAML-XXD avec une entretoise de 152 mm (6") de toutes longueurs.

Exigences en matière de dégagements minimum

AVERTISSEMENT

RISQUE D'INCENDIE: N'installez pas les rampes chauffantes Max Watt au-dessus ou à proximité de surfaces combustibles, sous peine de subir une décoloration ou une combustion. Les rampes chauffantes Max Watt doivent être installées dans un environnement non combustible uniquement.

Modèles	(A)	(B)	(C)
GRAM GRAML	305 mm (12")	76 mm (3")	25 mm (1")
GRAM-XXD GRAML-XXD	381 mm (15")	76 mm (3")	25 mm (1")



Dégagements obligatoires vis-à-vis des matières non combustibles

Installation d'unités permanentes

Les appareils chauffants peuvent être montés de façon permanente en utilisant des pieds tubulaires ou des cornières. Reportez-vous à la section appropriée sur le montage permanent pour connaître la procédure d'installation.

Montage du support tubulaire

Les pieds tubulaires fixent définitivement l'unité à un comptoir ou une table de service. Tout le câblage peut être dissimulé dans un des pieds tubulaires.

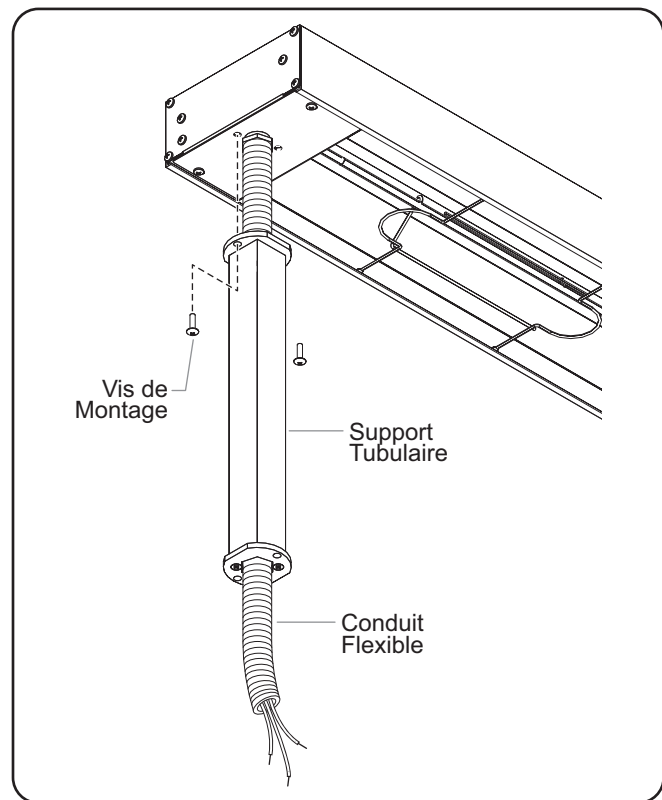


Assurer un fonctionnement sûr et adapté. Référez-vous aux "Exigences d'approbation minimum" indiquées dans la section Installation de ce manuel.

Des supports tubulaires en aluminium de hauteurs non réglables comprises entre 356 et 610 mm (14 à 24") sont disponibles.

NOTA: Les supports tubulaires ne peuvent pas être mis à niveau dans la zone.

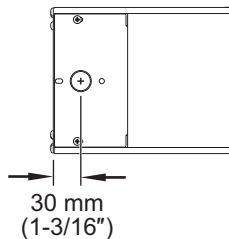
NOTA: Si le câblage doit être dissimulé, un trou de 25 mm (1") de diamètre devra être créé dans la surface de montage et centré sous le pied contenant le conduit de câblage.



Montage du support tubulaire

Distance entre l'extrémité de l'appareil et le centre de l'orifice du conduit.

Nécessaire pour la découpe d'un orifice de 25 mm (1") de diamètre dans la surface de montage.



Dimension du trou pour le conduit

1. Positionnez l'appareil à l'envers sur une surface plate.

NOTA: Les unités pour cette application sont fournis avec la conduite attachée à un des côtés de l'appareil. La conduite ne doit pas être retirée.

2. Si cela est applicable, faites passer le conduit flexible dans le centre de l'un des supports.
3. Tirez le support côté conduit contre l'appareil et fixez le support à l'appareil à l'aide des vis fournies.
4. Alignez le pied du côté opposé avec les trous de montage à l'autre extrémité de l'unité et fixez-le avec les vis fournies.
5. Si cela est applicable, faites passer le conduit flexible à travers la découpe d'orifice d'un diamètre de 25 mm (1") dans la surface de montage.
6. Fixez les pieds à la surface de montage.

NOTA: Deux paires de supports tubulaires seront nécessaires pour monter les unités doubles.

Montage avec cornières réglable

Le montage d'une rampe chauffante avec des cornières réglables fixe de manière permanente l'appareil sur le côté inférieur d'un plateau. Les appareils peuvent être montés sur un plateau plat ou sur un plateau avec des bordures enroulées ou retournées. Un espace minimum de 25 mm (1") est requis entre l'appareil et le bas de la bordure enroulée ou retournée afin de prévenir tout dommage du système électrique de l'appareil en raison de la chaleur.

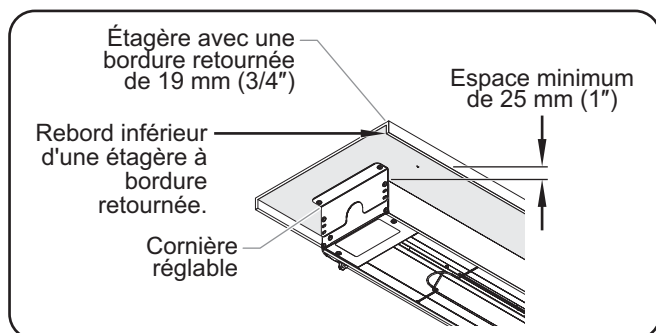


Assurer un fonctionnement sûr et adapté. Référez-vous aux "Exigences d'approbation minimum" indiquées dans la section Installation de ce manuel.

Si l'étagère a une bordure enroulée ou retournée, utilisez les orifices de passage de vis appropriés des cornières réglables pour monter l'appareil 25 mm (1") en dessous du rebord inférieur de l'étagère à bordure enroulée ou retournée. Les cornières réglables peuvent dégager un espace de 25 mm (1"), de 38 mm (1 1/2") ou de 51 mm (2") entre l'appareil et la face inférieure de l'étagère.

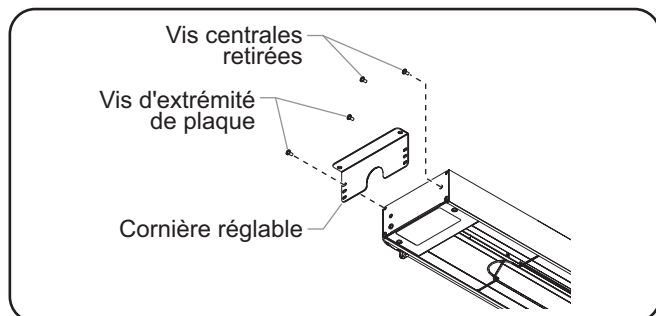
AVIS

N'enfermez pas l'appareil. L'appareil doit être installé en dessous du rebord inférieur d'une étagère à bordure enroulée ou retournée. Un montage inapproprié de l'appareil peut entraîner une défaillance prématurée des composants et annuler la garantie du produit.



Installation d'une étagère à bordure retournée

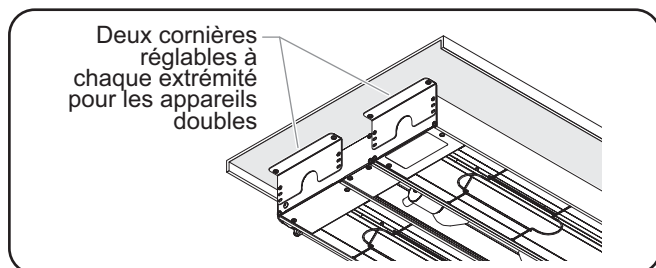
1. Positionnez l'unité sur une surface plate, les éléments chauffants face au sol.
2. Retirez les deux vis centrales de la plaque d'extrémité sur un côté de l'appareil. Ces vis n'ont pas à être remises en place.
3. Retirez les deux vis de la plaque de l'extrémité supérieure.
4. Alignez les orifices appropriés sur la cornière réglable avec les orifices de montage de la plaque d'extrémité de l'appareil. Fixez la cornière à l'aide des vis de la plaque d'extrémité.
5. Répétez les étapes 2 et 4 pour chaque extrémité de l'appareil.



Installation de la cornière réglable

6. Fixez la cornière sous l'étagère en utilisant les fixations adaptées (non fournies par Hatco).

NOTA: Deux paires de supports seront nécessaires pour les unités doubles.



Montage des unités doubles

Installation d'unités suspendues à des chaînes

La suspension par des chaînes fixe l'unité à un point d'attache plus élevé en utilisant des crochets en S. Des appareils suspendus par une chaîne sont disponibles pour les modèles à boîtier simple uniquement.

NOTA: Les appareils commandés avec l'option crochet en "S" sont livrés avec deux crochets en "S" et deux chaînes de 6" (152 mm) de longueur. Une chaîne supplémentaire (P/N 05.03.020.00) peut être commandée auprès d'Hatco pour le système de montage du dessus, ou une autre option peut être déterminée par un installateur qualifié.

AVERTISSEMENT

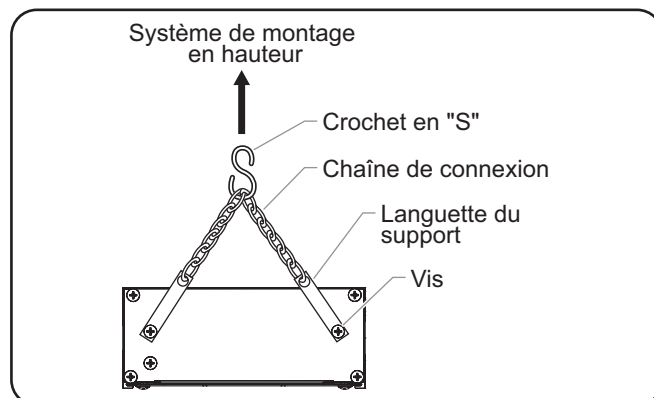
Pour l'installation avec des chaînes, assurez-vous que les chaînes sont suffisamment résistantes et qu'elles sont solidement fixées à la fois sur l'appareil et sur le support de montage. Des chaînes mal installées peuvent entraîner le relâchement et la chute du réchauffeur. Ne rien placer sur le dessus des réchauffeurs installés avec des chaînes.

Assurer un fonctionnement sûr et adapté. Référez-vous aux "Exigences d'approbation minimum" indiquées dans la section Installation de ce manuel.

NOTA: La résistance de la chaîne fournie par Hatco est suffisante pour retenir le poids de l'unité de manière sûre, uniquement pour un montage adapté.

NOTA: Les appareils doubles ne peuvent pas être montés avec le système de chaîne et de crochet en S.

1. Préparez le système de montage supérieur pour les crochets en "S". Assurez-vous que le système est sécurisé et est installé de manière à ce que l'appareil soit suspendu à un niveau et à une distance sécurisée et adaptée des murs, du comptoir et des aliments.
2. Desserrez, mais ne retirez pas les vis sécurisant les languettes de support à chaque extrémité de l'appareil. Faites pivoter les languettes vers le haut, puis resserrez solidement les vis.
3. Attachez solidement une des chaînes de connexion de 6" (152 mm) entre chaque paire de languettes de support.
4. Attachez un crochet en "S" au centre de chaque chaîne de connexion.
5. Levez l'appareil avec précaution et attachez les crochets en "S" à chaque extrémité de l'appareil au système de montage supérieur. Assurez-vous que l'appareil est à niveau.



Montage du crochet en "S"

Informations sur le câblage électrique

Référez-vous au diagramme de câblage fourni avec l'appareil et à l'étiquette de spécification attachée à l'appareil pour obtenir des informations spécifiques concernant l'électricité. Référez-vous au **TABLEAU DES CARACTERISTIQUES ELECTRIQUES** pour de plus amples informations sur l'appareil.

⚠ AVERTISSEMENT

DANGER DE DÉCHARGE ÉLECTRIQUE: Pour les appareils câblés, toutes les connexions électriques doivent être conformes aux codes électriques locaux et à tous les autres codes applicables. Les connexions doivent être effectuées par un électricien qualifié et agréé.

NOTA: Si l'appareil à installer n'apparaît pas dans ce manuel, référez-vous au diagramme de câblage fourni avec l'appareil et les informations d'installation de l'appareil pour plus d'instructions.

Alimentation électrique

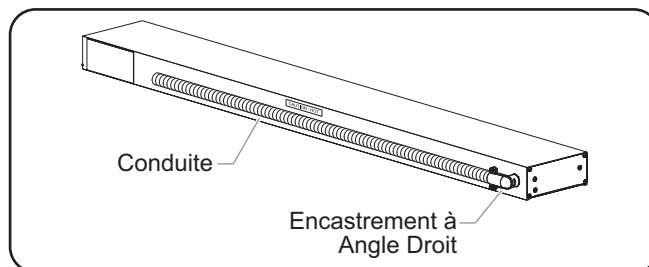
Installez un câble d'alimentation et des connecteurs adaptés pour une température d'au moins 194°F (90°C).

- Utilisez au minimum un câble en cuivre n°14 AWG pour les circuits individuels allant jusqu'à 15 ampères.
- Utilisez au minimum un câble en cuivre n°12 AWG pour les circuits individuels allant de 15 à 20 ampères.
- Utilisez au minimum un câble en cuivre n°10 AWG pour les circuits individuels allant de 20 à 25 ampères.

NOTA: Référez-vous au diagramme de câblage fourni avec l'appareil et à l'étiquette de spécification attachée à l'appareil pour obtenir des informations spécifiques concernant l'électricité.

Connexion de la conduite

Les connexions des appareils fournis avec une conduite correspondant au bon angle et flexible ont toutes été réalisées à l'usine. Raccorder à la bonne alimentation électrique mène à de hautes températures dans les câbles électriques dans la conduite.



Connexion de la conduite

Compartiments de contrôle à distance

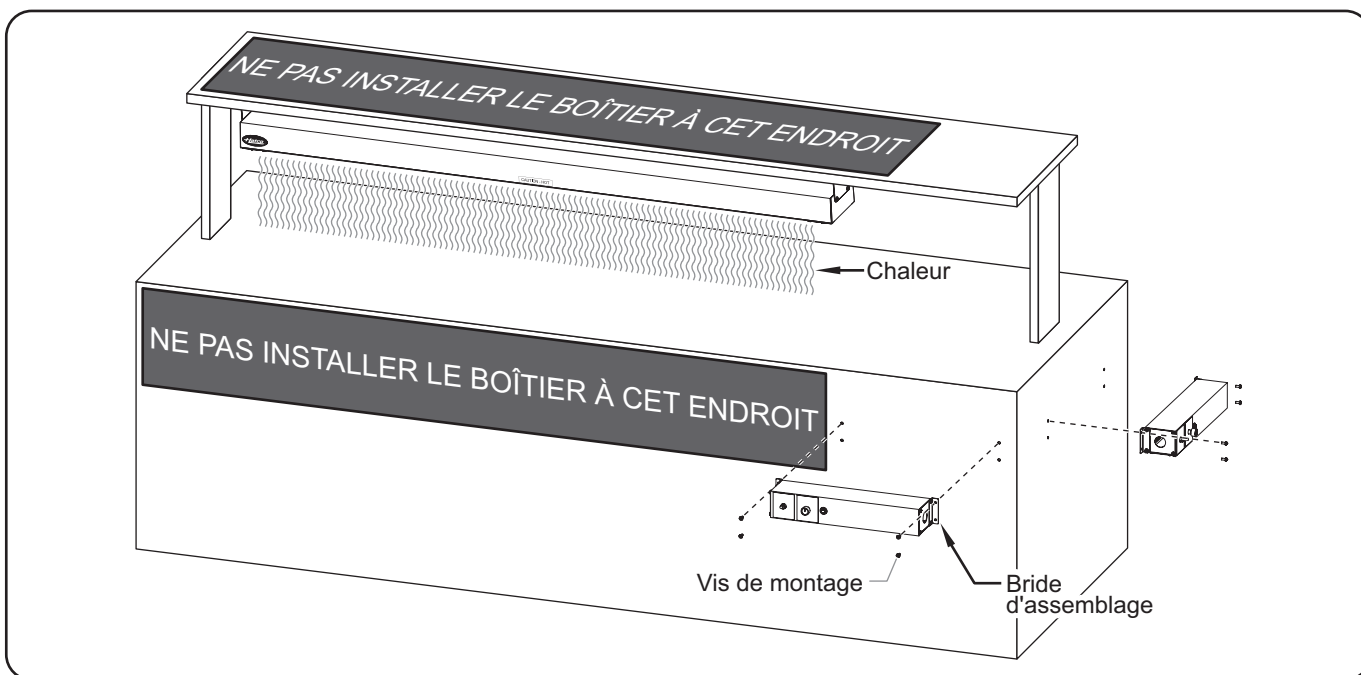
Les compartiments de contrôle à distance d'Hatco comportent des interrupteurs, des câbles électriques et/ou des indicateurs lumineux qui sont prêts pour l'installation.

La série RMB nécessite un compartiment de contrôle à distance par réchauffeur de bande. La série RMB2 permet à plusieurs réchauffeurs de bande d'être connectés à un compartiment de contrôle à distance.

NOTA: Des boîtiers de commande à distance sont disponibles en plusieurs configurations selon le modèle. Tous les boîtiers sont construits conformément aux normes UL pour accueillir les interrupteurs, les voyants et le câblage.

AVIS

Pour éviter une défaillance prématurée des composants due à une chaleur excessive, les compartiments de contrôle à distance doivent être installés à l'extérieur de la zone de chaleur des rampes chauffantes.



Emplacements pour l'installation du boîtier de commande à distance intégré

Compartiment de contrôle à distance—RMB

Les compartiments de contrôle à distance de la série RMB sont disponibles dans des tailles et des configurations différentes pour une utilisation avec des réchauffeurs de bande. Les compartiments de contrôle à distance déplacent les contrôles à distance de la chaleur constante de l'appareil, augmentant la longévité des contrôles. Tous les modèles sont construits conformément aux standards UL avec des interrupteurs, des voyants lumineux et des câblages.

Contactez l'usine pour le boîtier de commande à distance spécifique à votre application et les informations spécifiques à son installation.

NOTA: Reportez-vous à la rubrique OPTIONS ET ACCESSOIRES pour le boîtier de commande à progression à distance disponible en option.

NOTA: Les compartiments de contrôle à distance de la série RMB nécessitent un compartiment de contrôle à distance par réchauffeur de bande.

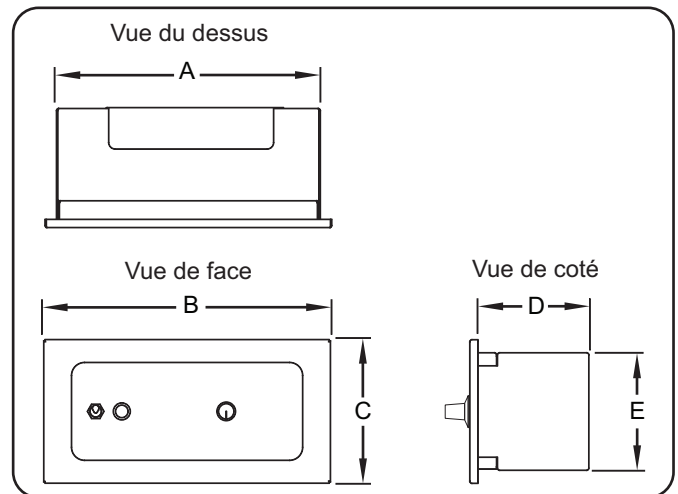
REMARQUE IMPORTANTE : Les boîtiers de commande montés à distance doivent être installés dans un endroit frais et sec aussi loin que possible de toute zone de chaleur. Ne montez pas les boîtiers de commande directement sur, en dessous ou au-dessus de l'appareil. Ne montez pas les boîtiers de commande directement en contact avec une surface chauffée ou près d'un équipement générant de la vapeur.

Compartiment de contrôle à distance—RMB2

Les compartiments de contrôle à distance de la série RMB2 permettent à plusieurs réchauffeurs de bande d'être câblés et contrôlés par un compartiment unique. L'ampérage total de tous les réchauffeurs de bande connectés ne peut pas excéder la notation du compartiment de contrôle à distance. Consultez l'usine pour des informations concernant le compartiment de contrôle à distance de la série RMB2 adapté pour une application spécifique.

Dimensions de la série RMB2

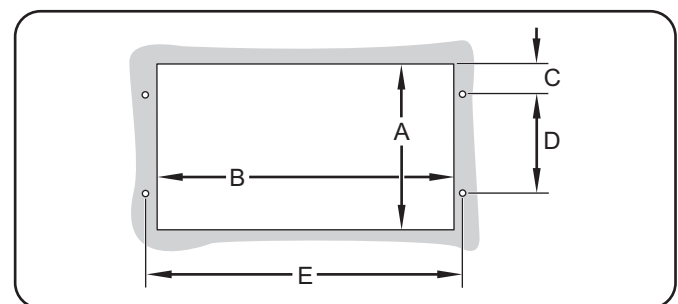
Modèle	Largeur (A)	Largeur (B)	Hauteur (C)	Profondeur (D)	Hauteur (E)
RMB2-1R	257 mm (10-1/8")	279 mm (11")	140 mm (5-1/2")	109 mm (4-1/4")	116 mm (4-5/8")
RMB2-2R	333 mm (13-1/8")	356 mm (14")	140 mm (5-1/2")	109 mm (4-1/4")	116 mm (4-5/8")



Dimensions de la série RMB2

Dimensions de la découpe de la série RMB2

Modèle	Dimensions de la découpe de l'ouverture		Dimensions de la cavité pour la vis		
	(A)	(B)	(C)	(D)	(E)
RMB2-1R	121 mm (4-3/4")	257 mm (10-1/8")	29 mm (1-1/8")	64 mm (2-1/2")	265 mm (10-7/16")
RMB2-2R	121 mm (4-3/4")	333 mm (13-1/8")	29 mm (1-1/8")	64 mm (2-1/2")	341 mm (13-7/16")



Dimensions de la découpe de la série RMB2

Généralités

Suivez les instructions suivantes pour faire fonctionner les rampes chauffantes Glo-Ray® Max Watt.

AVERTISSEMENT

Lire tous les messages de sécurité de la section Consignes de sécurité importantes avant d'utiliser ce matériel.

ATTENTION

DANGER DE BRÛLURE : Certaines surfaces extérieures de l'appareil deviennent chaudes. Toucher ces zones de l'appareil avec précaution.

Contrôles

Les rampes chauffantes sont dotées de commandes à distance intégrées. Vous trouverez ci-dessous la liste des commandes disponibles pour les rampes chauffantes.

NOTA: Les appareils ne peuvent pas être équipés de commandes intégrées.

Interrupteur à bascule ON/OFF (I/O)—Allume et éteint les éléments chauffants et/ou les lumières.

Commutateur électronique à progression—Assure la mise sous tension et contrôle la température des éléments de chauffage. Le contrôle à progression est uniquement disponible sur les boîtiers de contrôle à distance.

NOTA: Les unités doubles ne peuvent pas être équipées de commandes en continu intégrées.

Interrupteur à bascule marche/arrêt de l'éclairage—Allume ou éteint les lumières.

Indicateur lumineux—Éclaire lorsque le courant est allumé, éteint lorsque le courant est éteint.

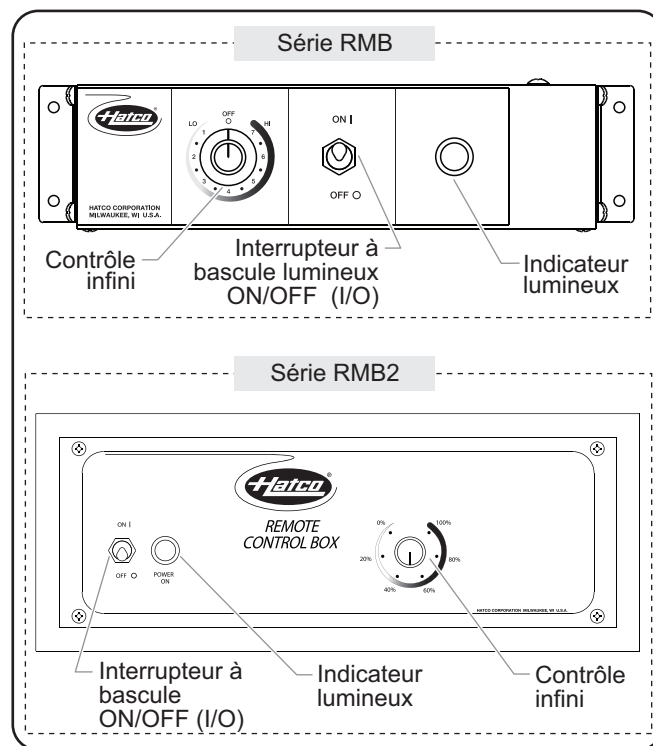
NOTA: Les interrupteurs à levier ne peuvent pas être utilisés sur des circuits qui dépassent 15 ampères.

Démarrage

- Allumez l'élément chauffant (ou les éléments chauffants). L'indicateur lumineux (si l'unité est en équipée) s'éclairera, et les éléments chauffants seront alimentés.
 - Si l'unité est équipée d'un interrupteur à bascule MARCHE/ARRÊT (I/O), placez-le en position MARCHE (I).
 - Si l'unité est équipée de commande(s) en continu (en option), tournez la commande sur le réglage désiré.

NOTA: Atteindre la température de fonctionnement demande 15-20 minutes.

- Sur les modèles équipés d'éclairage, placez l'interrupteur à bascule MARCHE/ARRÊT de l'éclairage en position MARCHE (I).



Compartiments de contrôle à distance

NOTA: Référez-vous à la section OPTIONS ET ACCESSOIRES pour des informations sur les compartiments de contrôle à distance.

Arrêt

- Placez l'interrupteur à bascule ON/OFF (I/O) sur la position OFF (O) et/ou placez le(s) contrôleur(s) infini(s) sur la position OFF (O).
 - L'indicateur lumineux (s'il est équipé) s'éteindra, et les éléments chauffants s'éteindront.
- Pour des appareils avec des lumières d'affichage, placez l'interrupteur à bascule lumineux ON/OFF (I/O) sur la position OFF(O).

Généralités

Les rampes chauffantes étroites halogène Glo-Ray sont conçues pour une durabilité et des performances maximum, avec un entretien minimum.

AVERTISSEMENT

DANGER DE DÉCHARGE ÉLECTRIQUE :

- Tournez le interrupteur sur « ARRÊT » pour éteindre la rampe, débranchez le cordon d'alimentation/coupez le courant au disjoncteur et laissez refroidir l'unité avant d'effectuer toute opération de nettoyage, de réglage ou d'entretien.
- **NE PAS immerger l'appareil ni le saturer d'eau. L'appareil n'est pas étanche à l'eau. Ne pas le faire fonctionner s'il a été immergé ou saturé d'eau.**
- Ne pas nettoyer à la vapeur ni utiliser trop d'eau sur l'appareil.
- Cet appareil n'est pas étanche aux jets. Ne pas utiliser de jet sous pression pour nettoyer l'appareil.
- Utilisez uniquement des pièces de rechange d'origine Hatco lorsque l'entretien est nécessaire. Utilisez des pièces détachées Hatco authentiques sous peine d'annuler toutes les garanties et d'exposer l'utilisateur à des tensions électriques dangereuses pouvant entraîner une électrocution ou des brûlures. Les pièces de rechange authentiques Hatco sont spécifiées pour fonctionner en toute sécurité dans les environnements dans lesquels elles sont utilisées. Certaines pièces de rechange génériques ou d'après-vente n'ont pas les caractéristiques qui leur permettent d'opérer en toute sécurité dans les équipements Hatco.

Cet appareil ne contient aucune pièce réparable par l'utilisateur. Si cet appareil doit être réparé, contacter un réparateur Hatco agréé ou le Service après-vente Hatco au 800-558-0607 ou 414-671-6350 ; télécopieur 800-690-2966; télécopieur internationale 414-671-3976.

Nettoyage quotidien

Pour préserver la finition de la rampe chauffante à infrarouge Glo-Ray, effectuez la procédure de nettoyage suivante quotidiennement.

AVIS

Utilisez seulement des nettoyeurs non abrasifs et des chiffons doux. Les chiffons et nettoyeur abrasifs pourraient érafler la finition de l'unité, entachant son apparence et la rendant susceptible à l'accumulation de saleté.

1. Éteindre l'appareil, débrancher le cordon d'alimentation et laisser refroidir l'appareil.
2. Essuyez toutes les surfaces métalliques avec un tissu doux humide. Les taches tenaces s'enlèvent avec un bon nettoyeur non abrasif. Nettoyer les zones difficiles d'accès avec une petite brosse et du savon doux.
3. Essuyez l'intégralité de l'unité en utilisant un chiffon doux et sec.

Remplacement du tube d'éclairage

AVERTISSEMENT

N'utiliser que des ampoules électriques qui correspondent ou qui surpassent les standards de la Fondation Nationale des Affaires Sanitaires (NSF) et qui sont spécifiquement conçues pour les espaces de conservation des aliments. La casse d'ampoules électriques non enduites de manière spécifique pourrait entraîner des lésions corporelles et/ou une contamination des aliments.

La lumière de la vitrine est assurée par une ampoule à incandescence ou à halogène, en option, qui éclaire l'espace de chauffage. Cette ampoule a un enduit spécial pour éviter toute blessure et toute contamination des éléments en cas de casse.

Pour remplacer une ampoule lumineuse :

1. Déconnectez l'alimentation électrique et attendez que l'appareil soit refroidi.
2. Dévissez l'ampoule d'éclairage de l'appareil et remplacez-la par une nouvelle ampoule à incandescence ou à halogène, en option, spécialement enduite.

NOTA: Les ampoules lumineuses résistantes aux chocs d'Hatco répondent aux standards de la NSF pour la conservation de la nourriture et des zones d'étalage. Pour les applications 120, 120/208, et 120/240 volts, utilisez P/N 02.30.043.00 d'Hatco.

NOTA: Les ampoules halogènes sont disponibles en option. Pour les applications 120, 120/208, et 120/240 volts, utilisez les pièces numéro 02.30.081.00 d'Hatco.

⚠ AVERTISSEMENT

La réparation de cet appareil doit être confiée exclusivement à du personnel qualifié. Les réparations par des personnes non qualifiées peuvent provoquer des décharges électriques et des brûlures.

⚠ AVERTISSEMENT

Tournez le interrupteur sur « ARRÊT » pour éteindre la rampe, débranchez le cordon d'alimentation/coupez le courant au disjoncteur et laissez refroidir l'unité avant d'effectuer toute opération de nettoyage, de réglage ou d'entretien.

Symptômes	Causes Probables	Action Correctrice
L'appareil est sur ON, mais il n'y a pas de chaleur.	Pas d'alimentation au niveau de l'appareil.	Vérifiez le disjoncteur et redémarrez si nécessaire.
	L'interrupteur est défectueux.	Contactez votre agent de maintenance agréé ou Hatco.
	Le câblage est ouvert.	Contactez votre agent de maintenance agréé ou Hatco.
	Élément chauffant défectueux.	Contactez votre agent de maintenance agréé ou Hatco.
La chaleur est inadaptée.	L'appareil est monté trop haut par rapport à la zone cible.	Baissez l'appareil, permettant de cibler plus efficacement la chaleur.
	Mouvement d'air excessif autour de la zone cible du réchauffeur de bande.	Restreignez ou redirigez le mouvement de l'air (conduit d'air conditionné ou ventilateur) à distance de l'appareil.
	Alimentation électrique incorrecte (basse).	Vérifiez l'alimentation électrique de l'appareil, assurez-vous qu'il corresponde aux valeurs sur l'appareil. Si l'alimentation électrique est incorrecte, changez pour correspondre aux valeurs sur l'appareil.
La chaleur est excessive.	L'appareil est monté trop près de la zone cible.	Vérifiez pour vérifier que l'installation est conforme aux spécifications pour le type/modèle Augmentez la hauteur du montage s'il est trop proche.
	La tension est trop élevée.	Vérifiez l'alimentation électrique de l'appareil, assurez-vous qu'il corresponde aux valeurs sur l'appareil. Si l'alimentation électrique est incorrecte, changez pour correspondre aux valeurs.
Les interrupteurs de commande ont grillé.	L'unité n'a pas été installée correctement.	Déplacez l'unité à bonne distance des murs, comptoirs, et/ou étagères de passe-plat. Reportez-vous à la section INSTALLATION pour obtenir des directives.
	Le boîtier de commande à distance est installé trop près de la zone de chauffe.	Éloignez le boîtier de commande de la zone de chauffe. Reportez-vous à la section INSTALLATION pour les directives applicables.
	Les interrupteurs utilisés ne sont pas fournis par Hatco.	Les pièces authentiques Hatco sont conçues pour fonctionner de manière sûre et adaptée dans l'environnement dans lequel elles sont utilisées. Contactez un agent agréé ou Hatco pour remplacer des interrupteurs par des pièces de remplacement authentiques Hatco.

Vous avez des questions en ce qui concerne les pannes ?

Si le problème persiste, veuillez contacter l'agence d'entretien agréée Hatco la plus proche ou Hatco pour obtenir une assistance. Pour trouver l'agence d'entretien la plus proche, rendez-vous sur le site Internet de Hatco (www.hatcocorp.com) et cliquez sur Trouver un agent d'entretien, ou contactez l'équipe d'entretien et de pièces détachées de Hatco :

Numéro de téléphone: 800-558-0607 ou 414-671-6350
 Courriel: partsandservice@hatcocorp.com
 Télécopie: 800-690-2966 ou 414-671-3976

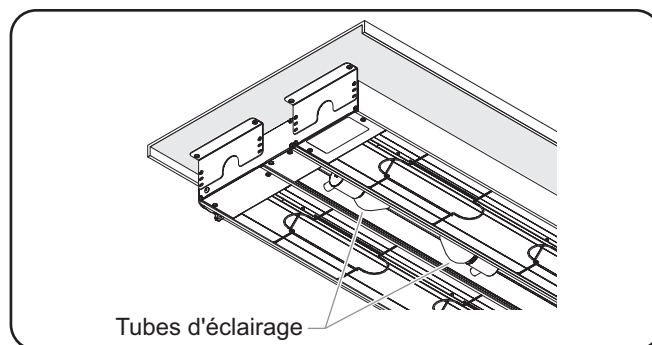
RMB avec commandes à progression

Un boîtier de commande à progression à distance est disponible en tant qu'option installée en usine. Il comprend également un ou plusieurs interrupteurs à bascule et voyants lumineux.

Tubes d'éclairage

Les rampes chauffantes Max watt peuvent être équipées en usine de tubes d'éclairage incandescents ou halogènes pour éclairer la zone chauffante.

Les ampoules résistantes aux chocs de Hatco préviennent toute blessure et toute contamination des aliments en cas de casse. Les tubes d'éclairage sont conformes aux normes de la National Sanitation Foundation (NSF, fondation nationale des affaires sanitaires) pour les zones de conservation et de présentation des aliments.



Tubes d'éclairage

Tubes d'éclairage

NOTA: Les tubes d'éclairage ne peuvent pas être adaptés ultérieurement aux appareils.

GARANTIE LIMITÉE

1. GARANTIE DU PRODUIT

Hatco garantit que les produits qu'il fabrique (les « Produits ») sont exempts de défauts de matériel et de fabrication, dans des conditions normales d'utilisation et de maintenance, pour une période d'un (1) an à partir de la date d'achat à condition que l'appareil soit installé et entretenu conformément aux instructions écrites de Hatco ou 18 mois après la date de l'expédition par Hatco. L'acheteur doit prouver la date d'achat du Produit par l'enregistrement du produit auprès de Hatco ou par d'autres moyens satisfaisants pour Hatco, à sa seule discrétion.

Hatco garantit que les composants du Produit suivants sont exempts de défauts de matériel et de fabrication à partir de la date d'achat (sous réserve des conditions précédentes) pour la ou les périodes de temps et en fonction des conditions listées ci-dessous :

a) Garantie d'un (1) an pour les pièces et la main-d'œuvre PLUS un an (1) supplémentaire pour les pièces uniquement :

Éléments du grille-pain à convoyeur (enveloppe métallique)
Éléments des tiroirs chauffants (enveloppe métallique)
Tiroirs, roues et glissières des tiroirs chauffants
Éléments des rampes chauffantes (enveloppe métallique)
Éléments des vitrines chauffantes
(enveloppe métallique, air chauffant)
Éléments des armoires de stockage
(enveloppe métallique, air chauffant)
Éléments des compartiments chauffants —
série HW et HWB (enveloppe métallique)

b) Garantie d'un (1) an pour les pièces et la main-d'œuvre PLUS quatre (4) ans pour les pièces uniquement :
Cuves 3CS et FR

c) Garantie d'un (1) an pour les pièces et la main-d'œuvre PLUS neuf (9) ans pour les pièces uniquement :
Cuves des appareils de chauffage d'appoint électriques
Cuves des appareils de chauffage d'appoint à gaz

d) Garantie de quatre-vingt-dix (90) jours pour les pièces uniquement :
Pièces de rechange

LES GARANTIES PRÉCÉDENTES SONT EXCLUSIVES ET REMPLACENT TOUTES AUTRES GARANTIES, EXPRESSES OU IMPLICITES, COMPRENANT, MAIS NE SE LIMITANT PAS À, TOUTES GARANTIES IMPLICITES DE QUALITÉ MARCHANDE OU DE FINALITÉ PARTICULIÈRE OU TOUS BREVETS OU TOUTES AUTRES ATTEINTES AUX DROITS DE LA PROPRIÉTÉ INTELLECTUELLE. Sans restreindre la portée générale des énoncés précédents, CES GARANTIES NE COUVRENT PAS : Ampoules d'éclairage à incandescence enduites, lumières fluorescentes, ampoules de lampes chauffantes, ampoules d'éclairage à halogène enduites, ampoules de lampes chauffantes au xénon, tubes d'éclairage DEL, composants en verre et fusibles ; défaut de produit dans la cuve d'un appareil de chauffage d'appoint, dans un échangeur de chaleur à tubes à ailettes ou tout autre équipement de chauffage d'eau causé par la calcification, l'accumulation de sédiments, la réaction d'un produit chimique ou le gel ; ou une mauvaise utilisation, une manipulation ou une mauvaise application, une installation inappropriée du Produit ou l'utilisation d'une tension inappropriée.

2. LIMITES DES RECOURS ET DES DOMMAGES

La responsabilité de Hatco et la seule voie de recours de l'Acheteur prévues par les présentes seront limitées exclusivement, au gré de Hatco, à la réparation ou au remplacement à l'aide de pièces ou de Produits nouveaux ou remis à neuf par Hatco ou un centre de réparation agréé par Hatco (sauf si l'Acheteur se situe hors des États-Unis, du Canada, du Royaume-Uni ou de l'Australie, auquel cas la responsabilité de Hatco et la seule voie de recours de l'Acheteur seront limitées exclusivement au remplacement des pièces concernées par la garantie) à l'égard de toute revendication effectuée dans les délais de garantie applicables mentionnés ci-dessus. Hatco se réserve le droit d'accepter ou de rejeter toute réclamation en partie ou dans son intégralité. Dans le cadre de cette Garantie limitée, « remis à neuf » signifie une pièce ou un Produit dont les caractéristiques techniques d'origine ont été restaurées par Hatco ou un centre de réparation agréé par Hatco. Hatco n'acceptera aucun retour de Produits sans qu'il n'ait auparavant donné son accord écrit, et tous ces retours approuvés doivent être effectués aux seuls frais de l'Acheteur. HATCO NE SERA PAS TENU RESPONSABLE, DANS AUCUNE CIRCONSTANCE, DES DOMMAGES CONSÉCUTIFS OU INDIRECTS, COMPRENANT, MAIS NE SE LIMITANT PAS À, LES COÛTS DE MAIN-D'ŒUVRE OU PERTES DE PROFITS DUS À UNE UTILISATION OU À UNE IMPOSSIBILITÉ D'UTILISER LES PRODUITS OU DUS AU FAIT QUE LES PRODUITS ONT ÉTÉ INTÉGRÉS DANS OU QU'ILS SONT DEVENUS UN COMPOSANT DE TOUT AUTRE PRODUIT OU BIEN.

AUTHORIZED PARTS DISTRIBUTORS • AUTORISÉS DISTRIBUTEURS DE PIÈCES

ALABAMA

Jones McLeod Appl. Svc.
Birmingham 205-251-0159

ARIZONA

Service Solutions Group
Phoenix 602-234-2443

Byassee Equipment Co.
Phoenix 602-252-0402

CALIFORNIA

Industrial Electric
Commercial Parts & Service, Inc.
Huntington Beach 714-379-7100

Chapman Appl. Service
San Diego 619-298-7106

P & D Appliance
Commercial Parts & Service, Inc.
S. San Francisco 650-635-1900

COLORADO

Hawkins Commercial Appliance
Englewood 303-781-5548

FLORIDA

Whaley Foodservice Repair
Jacksonville 904-725-7800

3Wire Nass Service Co., Inc.
Orlando 407-425-2681

B.G.S.I.
Pompano Beach 954-971-0456

Comm. Appliance Service
Tampa 813-663-0313

GEORGIA

TWC Services
Mableton 770-438-9797

Heritage Service Group
Norcross 866-388-9837

Southeastern Rest. Svc.
Norcross 770-446-6177

HAWAII

Burney's Comm. Service, Inc.
Honolulu 808-848-1466

Food Equip Parts & Service
Honolulu 808-847-4871

ILLINOIS

Parts Town
Lombard 708-865-7278

Eichenauer Elec. Service
Decatur 217-429-4229

Midwest Elec. Appl. Service
Elmhurst 630-279-8000

Cone's Repair Service
Moline 309-797-5323

INDIANA

GCS Service
Indianapolis 800-727-8710

IOWA

Goodwin Tucker Group
Des Moines 515-262-9308

KENTUCKY

Service Solutions Group
Lexington 859-254-8854

Service Solutions Group
Louisville 502-451-5411

LOUISIANA

Chandlers Parts & Service
Baton Rouge 225-272-6620

MARYLAND

Electric Motor Service
Baltimore 410-467-8080

GCS Service
Silver Spring 301-585-7550

MASSACHUSETTS

Ace Service Co., Inc.
Needham 781-449-4220

MICHIGAN

Bildons Appliance Service
Detroit 248-478-3320

Commercial Kitchen Service
Bay City 989-893-4561

Midwest Food Equip. Service
Grandville 616-261-2000

MINNESOTA

GCS Service
Minnetonka 800-822-2303
x20365

MISSOURI

General Parts
Kansas City 816-421-5400

Commercial Kitchen Services
St. Louis 314-890-0700

Kaemmerlen Parts & Service
St. Louis 314-535-2222

NEBRASKA

Anderson Electric
Omaha 402-341-1414

NEVADA

Burney's Commercial
Las Vegas 702-736-0006

Hi. Tech Commercial Service
N. Las Vegas 702-649-4616

NEW JERSEY

Jay Hill Repair
Fairfield 973-575-9145

Service Plus
Flanders 973-691-6300

NEW YORK

Acme American Repairs, Inc.
Brooklyn 718-456-6544

Alpro Service Co.
Brooklyn 718-386-2515

Appliance Installation
Buffalo 716-884-7425

Duffy's Equipment Services, Inc.
Buffalo 800-836-1014

3Wire Northern
Plattsburgh 800-634-5005

Duffy's Equipment Services, Inc.
Sauquoit 800-836-1014

J.B. Brady, Inc.
Syracuse 315-422-9271

NORTH CAROLINA

Authorized Appliance
Charlotte 704-377-4501

OHIO

Akron/Canton Comm. Svc. Inc.
Akron 330-753-6634

Service Solutions Group
Cincinnati 513-772-6600

Commercial Parts and Service
Columbus 614-221-0057

Electrical Appl. Repair Service
Brooklyn Heights 216-459-8700

E. A. Wichman Co.
Toledo 419-385-9121

OKLAHOMA

Hagar Rest. Service, Inc.
Oklahoma City 405-235-2184

Krueger, Inc.
Oklahoma City 405-528-8883

OREGON

Ron's Service, Inc.
Portland 503-624-0890

PENNSYLVANIA

Elmer Schultz Services
Philadelphia 215-627-5401

FAST Comm. Appl. Service
Philadelphia 215-288-4800

Appliance Installation & Service
Pittsburgh 412-809-0244

K & D Service Co.
Harrisburg 717-236-9039

Electric Repair Co.
Reading 610-376-5444

RHODE ISLAND

Marshall Electric Co.
Providence 401-331-1163

SOUTH CAROLINA

Whaley Foodservice Repair
Lexington 803-996-9900

TENNESSEE

Camp Electric
Memphis 901-527-7543

TEXAS

GCS Service
Fort Worth 800-433-1804

Armstrong Repair Service
Houston 713-666-7100

Cooking Equipment Specialist
Mesquite 972-686-6666

Commercial Kitchen Repair Co.
San Antonio 210-735-2811

UTAH

La Monica's Rest. Equip. Service
Murray 801-263-3221

VIRGINIA

Daubers
Norfolk 757-855-4097

Daubers
Springfield 703-866-3600

WASHINGTON

3Wire Restaurant Appliance
Seattle 800-207-3146

WISCONSIN

A.S.C., Inc.
Madison 608-246-3160

A.S.C., Inc.
Milwaukee 414-543-6460

CANADA

ALBERTA

Key Food Equipment Service
Edmonton 780-438-1690

BRITISH COLUMBIA

Key Food Equipment Service
Vancouver 604-433-4484

Key Food Equipment Service
Victoria 250-920-4888

MANITOBA

Air Rite, Inc.
Winnipeg 204-895-2300

NEW BRUNSWICK

EMR Services, Ltd.
Moncton 506-855-4228

ONTARIO

R.G. Henderson Ltd.
Toronto 416-422-5580

Choquette - CKS, Inc.
Ottawa 613-739-8458

QUÉBEC

Choquette - CKS, Inc.
Montreal 514-722-2000

Choquette - CKS, Inc.
Québec City 418-681-3944

UNITED KINGDOM

Marren Group
Northants +44(0)1933 665313

HATCO CORPORATION

P.O. Box 340500

Milwaukee, WI 53234-0500 U.S.A.

800-558-0607 414-671-6350

Parts and Service Fax 800-690-2966

International Fax 414-671-3976

partsandservice@hatcocorp.com

www.hatcocorp.com

Register your unit online!

See IMPORTANT OWNER INFORMATION
section for details.

S'inscrire en ligne!

Lisez la section **INFORMATIONS IMPORTANTES**
POUR LE PROPRIÉTAIRE pour plus de informations.