



IMPORTANT NOTE:

Locate the Specification Label on the unit to determine exact Model Name and electrical specifications. This information is needed to identify the correct replacement parts. See exploded view illustration(s) for Specification Label location.

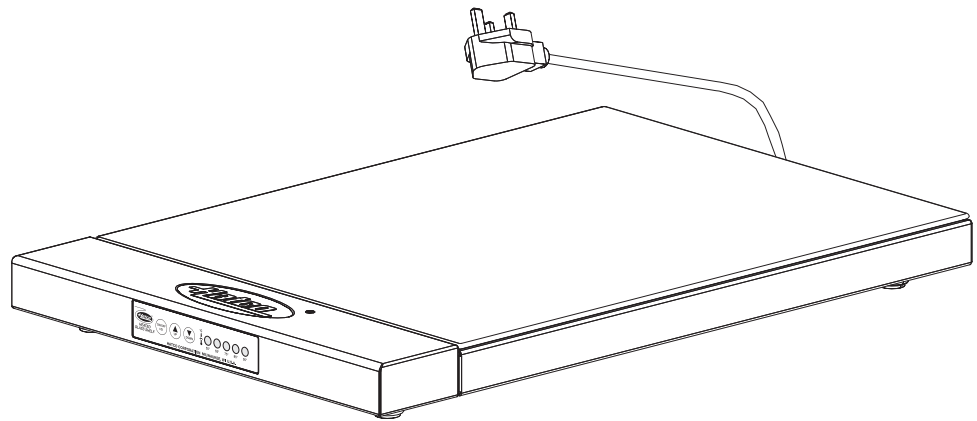


Use of replacement parts other than those supplied by Hatco Corporation may result in damage to unit or injury to personnel and will void all warranties.

Heated Glass Shelf

HGSM Series

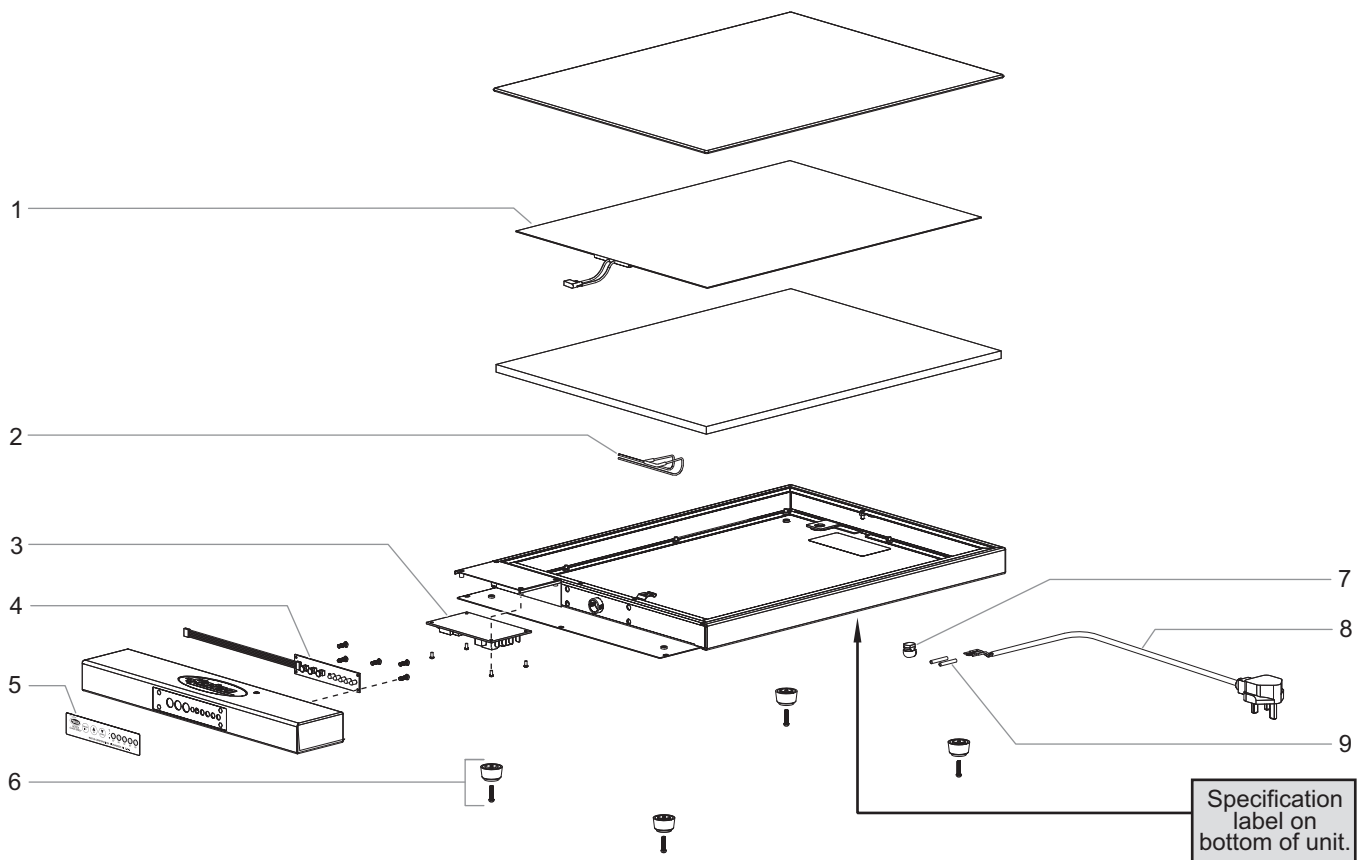
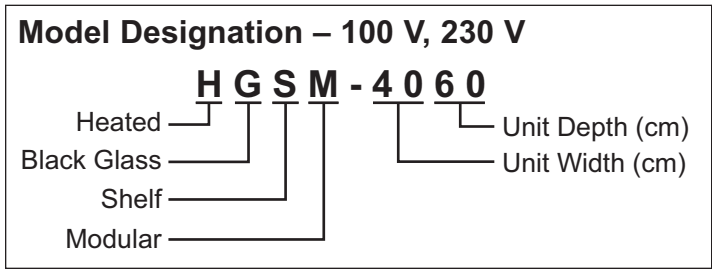
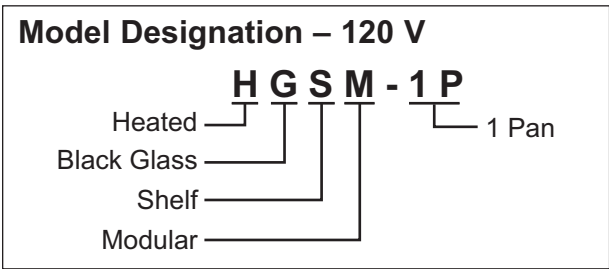
<u>Model Name</u>	<u>Page</u>
HGSM-1P.....	2
HGSM-4060	2



Replacement Parts List

HATCO HEATED GLASS SHELF

HGSM-1P and HGSM-4060 Models



PARTS LIST FOR HGSM-1P AND HGSM-4060 MODELS

Item	Description	Part Number	Qty.
1	Blanket Element		
	100 V, 300 W	02.05.929.00	1
	120 V, 300 W	02.05.857.00	1
	230 V, 300 W	02.05.814.00	1
2	Temperature Sensor Assembly	02.18.286.00	1
3	Power Circuit Board	02.01.348.00	1
4	Control Circuit Board	02.01.349.00	1
5	Decal, Control Panel		
	120 V	07.03.821.00	1
	100 V, 230 V	07.03.746.00	1
6	Foot (set of four)	R05.30.148.04	1

Item	Description	Part Number	Qty.
7	Cord Grip	02.20.447.00	1
8	Power Cord w/ Plug		
	NEMA 5-15P	02.18.583.00	1
	CEE 7/7 Schuko Plug	02.18.077.00	1
	BS-1363 Plug (shown)	02.18.066.00	1
	AS 3112 Plug	02.18.104.00	1
	JIS C8303	02.18.686.00	1
9	Sleeving, Power Cord	02.20.386.00	2
	Wiring Diagram	10-01-1019	

NOTE: The last four digits in a ten digit numerical serial number are the manufacturing date code: 962506**1130**

Year 2011 ————
 Week Thirty ————



24 Hour 7 Day Parts and Service
Assistance available in the United States
and Canada by calling 800-558-0607.

HATCO CORPORATION
P.O. Box 340500
Milwaukee, WI 53234-0500 U.S.A.
800-558-0607 414-671-6350
Parts and Service Fax 800-690-2966
International Fax 414-671-3976
partsandservice@hatcocorp.com
www.hatcocorp.com

HATCO CORPORATION
ASIA HEADQUARTERS
Unit 101, Premier Center, 20 Cheung Shun Street
Cheung Sha Wan, Kowloon, H.K.
Telephone (852) 2991-4121
Fax (852) 2991-4181
hongkong@hatcocorp.com