

# REPLACEMENT PARTS LIST

GLO-RAY FOOD WARMERS

MODEL HS2-838 & HS2-837

(78000120)

(78000121)



**HATCO CORPORATION**

**635 S. 28th Street**

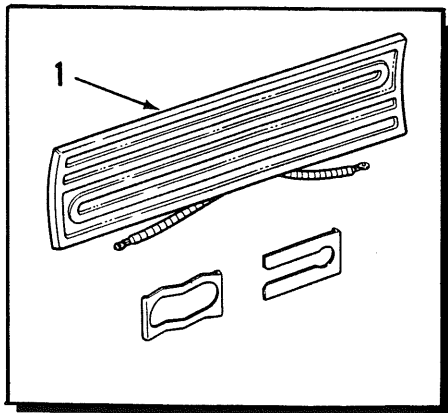
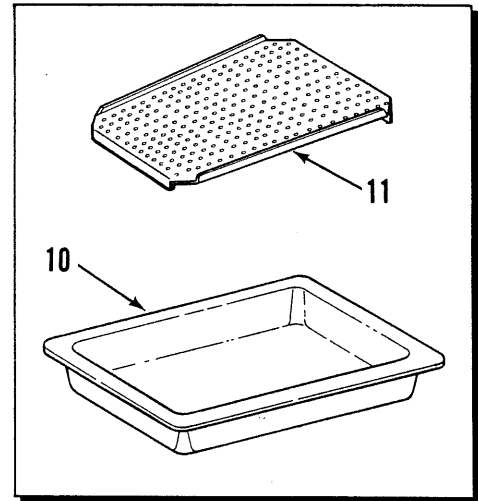
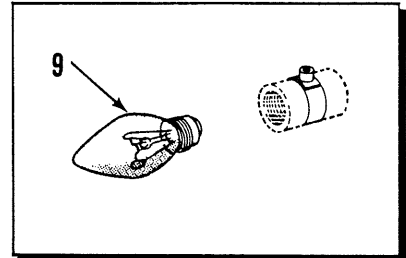
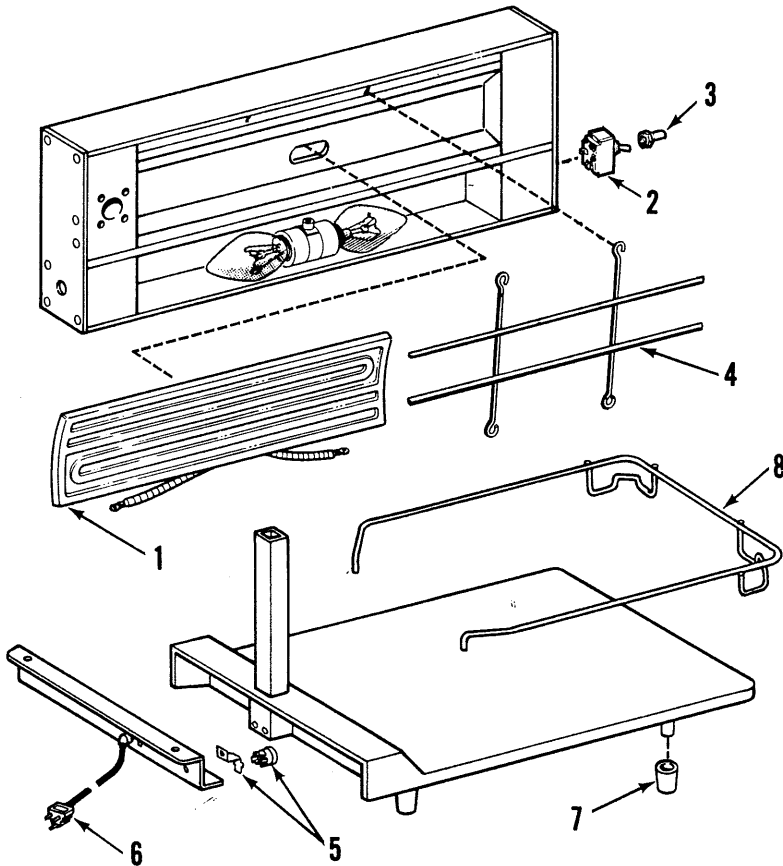
**Milwaukee, Wisconsin 53215**



# GLO-RAY FOOD WARMER

## MODEL HS2-838

(78000120)



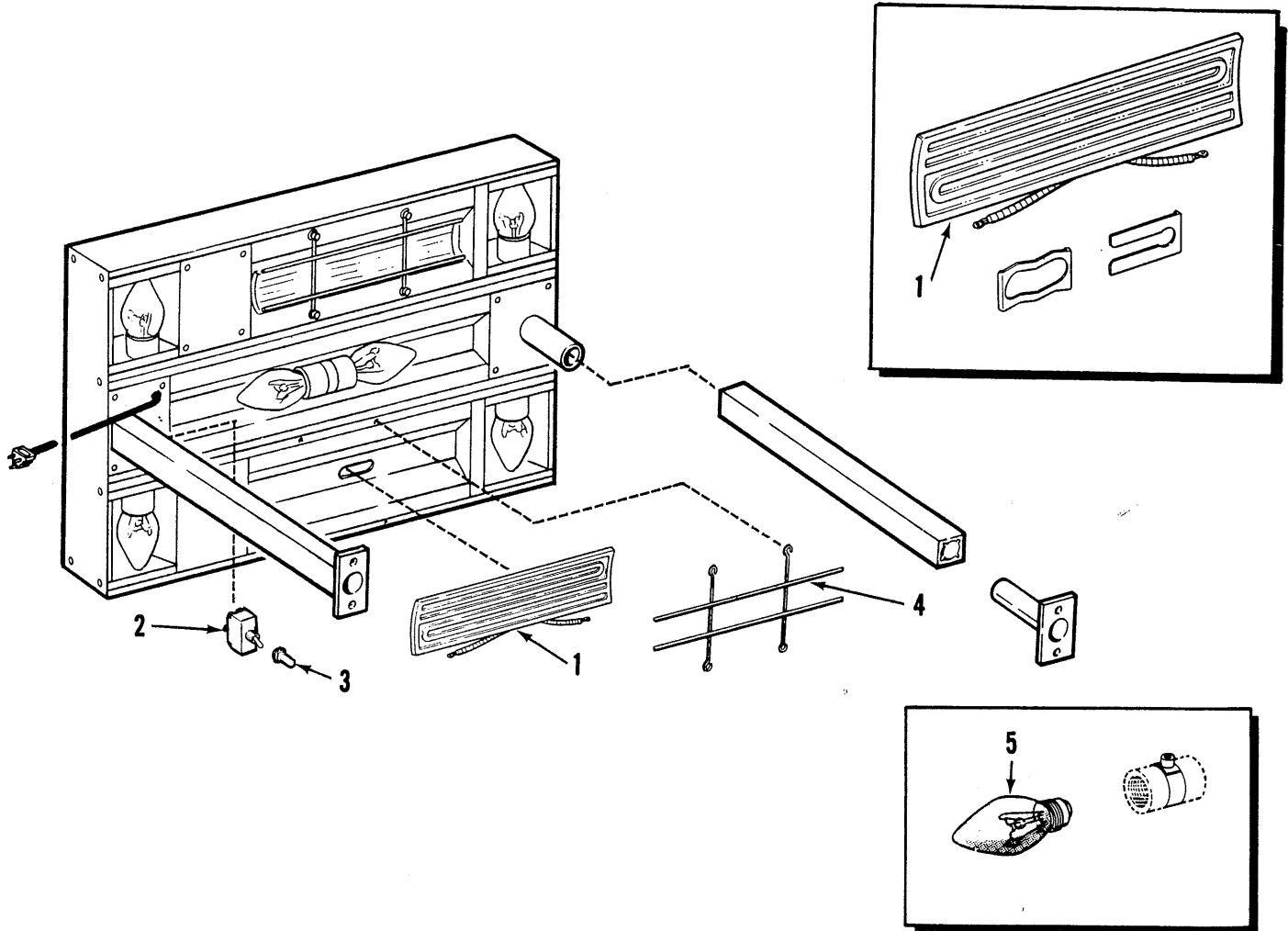
No.	Description	Part No.	Qty.
1	Heating Element (750W, 120V)	02-07-001	1
2	Toggle Switch	02-19-008A	1
3	Rubber Boot	02-20-040	1
4	Wire Element Guard	04-08-117	1
5	Base Thermostat	02-16-029	1
6	Cord w/Plug Set	02-18-030	1
7	Rubber Feet	05-06-038	4
8	Pan Rail	04-09-410	1
9	Shatter Resistant Bulb	02-03-043	2
10	12" x 20" x 4" Stainless Steel Pan	04-09-206	1
11	Sloped Trivet	04-25-100	1



# GLO-RAY FOOD WARMER

## MODEL HS2-837

(78000121)



No.	Description	Part No.	Qty.
1	Heating Element (500W, 120V)	02-07-002	2
2	Toggle Switch	02-19-008A	1
3	Rubber Boot	02-20-040	1
4	Wire Element Guard	04-08-117	2
5	Shatter Resistant Bulb	02-30-043	6

