

hatccorp.com

Register Online!
(see page 2)

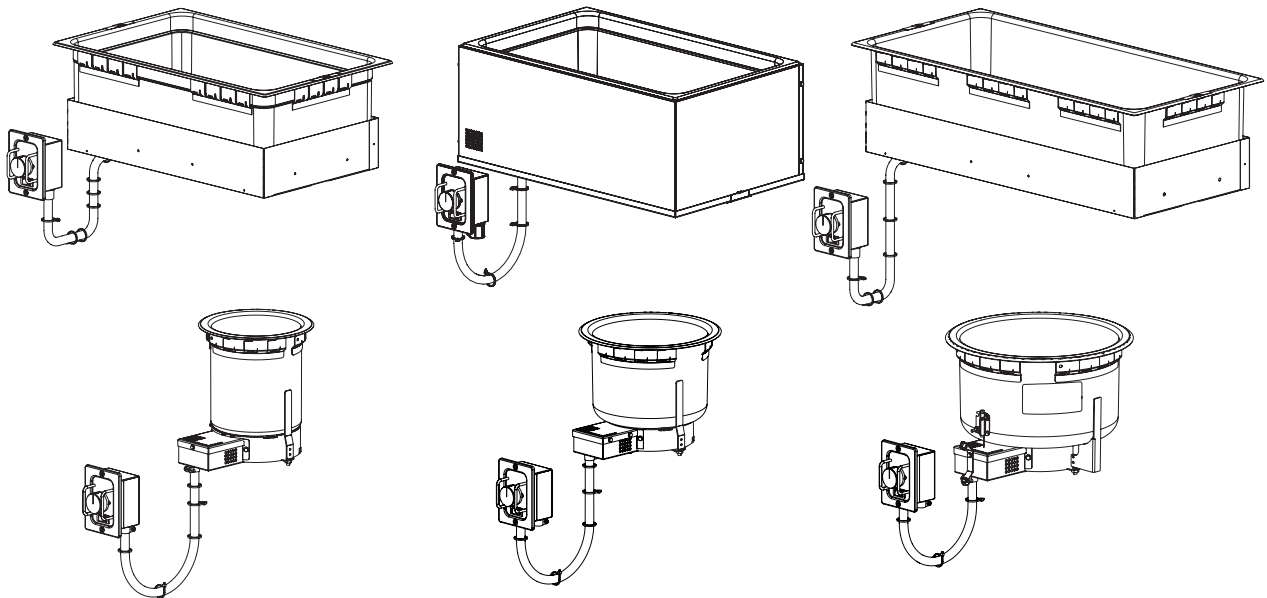
S'inscrire en ligne!
(voir page 28)



Built-In Heated Wells Puits Chauffants Intégrés

HWB Series • Série HWB

Installation and Operating Manual Manuel d'installation et d'utilisation



⚠ WARNING

Do not operate this equipment unless you have read and understood the contents of this manual! Failure to follow the instructions contained in this manual may result in serious injury or death. This manual contains important safety information concerning the maintenance, use, and operation of this product. If you're unable to understand the contents of this manual, please bring it to the attention of your supervisor. Keep this manual in a safe location for future reference.

English = p 2

⚠ ADVERTENCIA

No opere este equipo al menos que haya leído y comprendido el contenido de este manual! Cualquier falla en el seguimiento de las instrucciones contenidas en este manual puede resultar en un serio lesión o muerte. Este manual contiene importante información sobre seguridad concierne al mantenimiento, uso y operación de este producto. Si usted no puede entender el contenido de este manual por favor pregunte a su supervisor. Almacenar este manual en una localización segura para la referencia futura.

⚠ AVERTISSEMENT

Ne pas utiliser cet équipement sans avoir lu et compris le contenu de ce manuel ! Le non-respect des instructions contenues dans ce manuel peut entraîner de graves blessures ou la mort. Ce manuel contient des informations importantes concernant l'entretien, l'utilisation et le fonctionnement de ce produit. Si vous ne comprenez pas le contenu de ce manuel, veuillez le signaler à votre supérieur. Conservez ce manuel dans un endroit sûr pour pouvoir vous y référer plus tard.

Français = p 28

Important Owner Information	2	Control Enclosure Cutout Dimensions	19
Introduction	2	Installing an Auto-Fill Unit.....	20
Important Safety Information	3	Installing a Drain Assembly	20
Model Designation	4	Installing a Bottom Mount Unit	20
Model Description	5	Operation	21
Specifications	8	General	21
Plug Configurations	8	Maintenance	22
Electrical Rating Charts	9	General	22
Water Supply Specifications (Auto-Fill Units).....	11	Daily Cleaning	22
Dimensions	11	Removing Lime and Mineral Deposits	22
Installation	14	Troubleshooting Guide	23
General	14	Options and Accessories	24
Combustible Countertop Cutout Chart		Limited Warranty	27
(for Unit/Mounting Kit)	16	Authorized Parts Distributors	Back Cover
Non-Combustible Countertop Cutout Chart	18		
Installing a Remote Control Enclosure	19		

IMPORTANT OWNER INFORMATION

Record the model number, serial number, voltage, and purchase date of the unit in the spaces below (specification label located on the bottom of the unit or on the control enclosure). Please have this information available when calling Hatco for service assistance.

Model No. _____

Serial No. _____

Voltage _____

Date of Purchase _____

Register your unit!

• Completing online warranty registration will prevent delay in obtaining warranty coverage. Access the Hatco website at **www.hatcocorp.com**, select the *Support* pull-down menu, and click on "Warranty".

Business Hours: 7:00 AM to 5:00 PM Monday–Friday, Central Time (CT)
 (Summer Hours — June to September:
 7:00 AM to 5:00 PM Monday–Thursday
 7:00 AM to 4:00 PM Friday)

Telephone: 414-671-6350

E-mail: support@hatcocorp.com



24 Hour 7 Day Parts and Service Assistance available in the United States and Canada by calling 414-671-6350.

Additional information can be found by visiting our web site at **www.hatcocorp.com**.

INTRODUCTION

Hatco Built-In Heated Wells are specially designed to hold heated foods at safe serving temperatures. Designed for dry or wet applications, the wells are available in a variety of pan and pot combinations—all heated with a long-life metal sheath heating element design with a 2 year parts only warranty. Heat is evenly distributed throughout the heavy gauge stainless steel construction to assure hot food. The design allows for easy maintenance and durable performance. The standard unit is Underwriters Laboratory (UL) approved and equipped with a remote control enclosure. An optional UL recognized (UR) unit with remote switch is available also.

Units are equipped with EZ lock mounting hardware (except for the insulated bottom mount and round insulated models). One year parts and on-site labor warranty is standard.

Hatco Built-In Heated Wells are a product of extensive research and field testing. The materials used were selected for maximum durability, attractive appearance, and optimum performance. Every unit is inspected and tested thoroughly prior to shipment.

This manual provides the installation, safety, and operating instructions for the Built-In Heated Wells. Hatco recommends all installation, operating, and safety instructions appearing in this manual be read prior to installation or operation of the Built-In Heated Wells.



WARNING indicates a hazardous situation which, if not avoided, could result in death or serious injury.



CAUTION indicates a hazardous situation which, if not avoided, could result in minor or moderate injury.



NOTICE is used to address practices not related to personal injury.



Read the following important safety information before using this equipment to avoid serious injury or death and to avoid damage to equipment or property.

WARNING

ELECTRIC SHOCK HAZARD:

- Unit must be installed by a qualified electrician. Installation must conform to all local electrical codes. Installation by unqualified personnel will void unit warranty and may lead to electric shock or burn, as well as damage to unit and/or its surroundings.
- Turn OFF power switch, unplug power cord/turn off power at circuit breaker, and allow unit to cool before performing any cleaning, adjustments, or maintenance.
- DO NOT submerge or saturate with water. Unit is not waterproof. Do not operate if unit has been submerged or saturated with water.
- Unit is not weatherproof. Locate the unit indoors where the ambient air temperature is a minimum of 70°F (21°C).
- Remote mounted control panel must be mounted on a vertical wall and installed in the vertical position. Mounting control panel in the horizontal position may result in collection of liquids and lead to electric shock.
- Operating voltage of remote control enclosure water valve exceeds 50 V (extra low voltage). Enclosure is marked with the following hazard identification symbol:
- Do not use unit to melt or hold ice. Doing so may cause condensation, creating an electrical hazard and causing personal injury and/or damage to unit. Damage caused by condensation is not covered by warranty.
- For non-Auto-Fill units, turn off unit when filling with water and avoid splashing.
- Do not clean the unit when it is energized or hot.
- This unit is not “jet-proof” construction. Do not use jet-clean spray to clean this unit.
- This unit must be serviced by qualified personnel only. Service by unqualified personnel may lead to electric shock or burn.
- Use only Genuine Hatco Replacement Parts when service is required. Failure to use Genuine Hatco Replacement Parts will void all warranties and may subject operators of the equipment to hazardous electrical voltage, resulting in electrical shock or burn. Genuine Hatco Replacement Parts are specified to operate safely in the environments in which they are used. Some aftermarket or generic replacement parts do not have the characteristics that will allow them to operate safely in Hatco equipment.

FIRE HAZARD:

- Install unit with a minimum of 3-1/2” (89 mm) of space from bottom of unit to all combustible surfaces to prevent combustion.
- Unit must be installed using ribbon putty gasket between unit and installation surface per installation instructions (refer to Installation section of this manual).
- Do not use flammable cleaning solutions to clean this unit.

WARNING

This unit must be installed by qualified, trained installers. Installation must conform to all local electrical and plumbing codes. Check with local plumbing and electrical inspectors for proper procedures and codes.

This unit is not intended for use by children or persons with reduced physical, sensory, or mental capabilities. Ensure proper supervision of children and keep them away from unit.

Make sure all operators have been instructed on the safe and proper use of unit.

Make sure food product has been heated to the proper food-safe temperature before placing in unit. Failure to heat food product properly may result in serious health risks. This unit is for holding pre-heated food product only.

Hatco Corporation is not responsible for actual food product serving temperature. It is the responsibility of the user to ensure that food product is held and served at a safe temperature.

This unit has no “user-serviceable” parts. If service is required on this unit, contact an Authorized Hatco Service Agent or contact the Hatco Service Department at 414-671-6350.

CAUTION

BURN HAZARD:

- Some exterior surfaces on the unit will get hot. Use caution when touching these areas.
- Drain water may reach temperatures in excess of 200°F (93°C). Use appropriate plumbing materials when installing drain.

Locate unit at proper counter height in an area that is convenient for use. The location should be level to prevent the unit or its contents from falling accidentally and strong enough to support the weight of the unit and contents.

Auto-Fill units must be installed with adequate backflow protection and must conform with all federal, state, and local codes.

NOTICE

Auto-fill units supplied with water from a reverse osmosis (RO) system (or similar water filtration system) must be installed with an operating remineralization system to ensure proper operation. Failure to do so may cause unit to overflow. Damage caused by overflowing is not covered under warranty.

Units are voltage-specific. Refer to specification label for electrical requirements before beginning installation.

Standard and approved manufacturing oils may smoke up to 30 minutes during initial startup. This is a temporary condition. Operate unit without food product until smoke dissipates.

NOTICE

Unit must be allowed to cool down to room temperature before changing from wet-to-dry or dry-to-wet operation. Allowing unit to run dry during wet operation or adding water during dry operation will damage unit.

Do not locate unit in an area subject to excessive temperatures or grease from grills, fryers, etc. Excessive temperatures could cause damage to the unit.

Remote mounted control panels must have a minimum 6" (152 mm) clearance from unit (not to exceed 72" [1829 mm]). Mounting control panel closer may cause heat damage to electrical system in control panel.

Damage to any countertop material caused by heat generated from Hatco equipment is not covered under the Hatco warranty. Contact the manufacturer of the countertop material for application information.

NOTICE

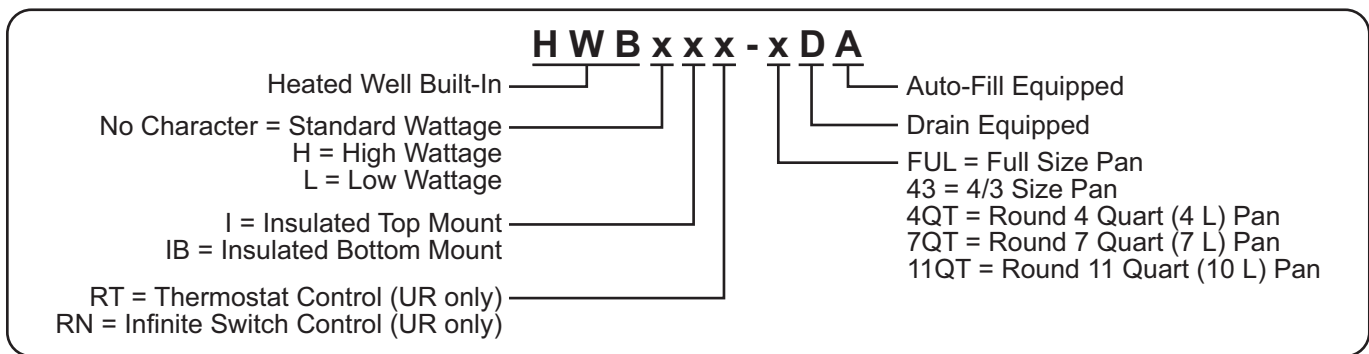
Use non-abrasive cleaners and cloths only. Abrasive cleaners and cloths could scratch finish of unit, marring its appearance and making it susceptible to soil accumulation.

Do not use steel wool for cleaning. Steel wool will scratch the finish.

Do not use harsh chemicals such as bleach, cleaners containing bleach, or oven cleaners to clean this unit.

Drain sealants must have temperature rating of 500°F or higher. Incoming water pipes must be FDA compliant for potable water.

MODEL DESIGNATION



All Models

All Built-In Heated Well units are reliable and versatile. Units have a stainless steel and aluminized steel housing with a metal sheathed heating element that is available in low, standard, and high wattage.

Heated Wells can be supplied with the heating element controlled in one of two ways. The first is UL listed with a thermostatic control and an ON/OFF switch housed in a remote control enclosure. The control enclosure is connected to the unit with a 36" (914 mm) flexible conduit assembly (72" [1829 mm] flexible conduit connection is optional, not available for retrofit). The second is a remote switch option that is UL recognized (UR) with either a thermostatic control and an ON/OFF switch or an infinite switch control with indicator light. The thermostatic control and ON/OFF switch is connected to the unit with a 36" (914 mm) flexible conduit assembly (72" [1829 mm] flexible conduit connection is optional, not available for retrofit).

Built-In Heated Wells can be hardwired directly to a power source for a secure and cord free serving area. Corded units also are available. EZ locking hardware allows for Heated Wells to be mounted into non-combustible countertops and combustible countertops using a Hatco mounting kit accessory. Built-In Heated Wells are designed, manufactured, and tested to maintain safe food holding temperatures.

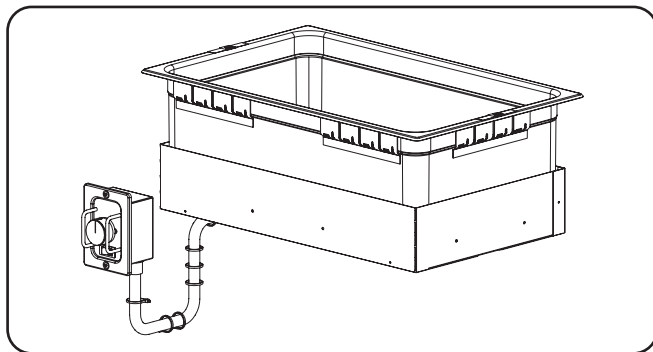
HWB-FUL Models

HWB-FUL models are capable of holding a variety of pan combinations listed below. These models are designed to be mounted to the topside of a non-combustible countertop or topside of a combustible countertop using the appropriate countertop mounting kit.

- One full size pan.
- Three 1/3 size pans with adapter bars.
- Two 1/2 sized pans with adapter bars.
- Two 7 quart (7 L) round pans with adapter top.
- Three 4 quart (4 L) round pans with adapter top.

An optional remote control enclosure with a digital temperature controller and an ON/OFF switch is available.

Pans, Covers, Adapter Bars, and Adapter Tops sold separately (see the OPTIONS AND ACCESSORIES section for details).



HWB-FUL and HWB-FULD Models

HWB-FULD Models

HWB-FULD models have the same capabilities as the HWB-FUL but are equipped with a drain. The drain includes a 3/4" NPT drain fitting and flat drain screen that allows for pans to stay level for consistent temperatures. These models are designed to be mounted to the topside of a non-combustible countertop or topside of a combustible countertop using the appropriate countertop mounting kit.

HWB-FULDA Models

HWB-FULDA models have the same capabilities as the HWB-FULD but are equipped the optional Auto-Fill feature. The Auto-Fill feature fills and maintains the proper level of water in the well automatically. These models are designed to be mounted to the topside of a non-combustible countertop or topside of a combustible countertop using the appropriate countertop mounting kit.

HWBI-FUL Models

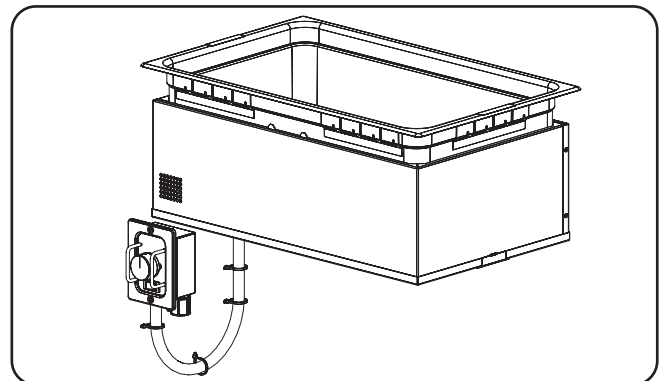
HWBI-FUL models are the same as the HWB-FUL models except the units are fully insulated. The insulated unit conserves energy and preserves more consistent heating temperatures. These models are designed to be mounted to the topside of a non-combustible countertop or topside of a combustible countertop using the appropriate countertop mounting kit.

HWBI-FULD Models

HWBI-FULD models are top mount insulated versions that have the same capabilities as the HWBI-FUL but with a drain. The drain includes a 3/4" NPT drain fitting and flat drain screen that allows for pans to stay level for consistent temperatures. These models are designed to be mounted to the topside of a non-combustible countertop or topside of a combustible countertop using the appropriate countertop mounting kit.

HWBI-FULDA Models

HWBI-FULDA models are top mount insulated versions that have the same capabilities as the HWBI-FULD but with the optional Auto-Fill feature. The Auto-Fill feature fills and maintains the proper level of water in the well automatically. These models are designed to be mounted to the topside of a non-combustible countertop or topside of a combustible countertop using the appropriate countertop mounting kit.



HWBI-FUL and HWBI-FULD Models

HWBIB-FUL Models

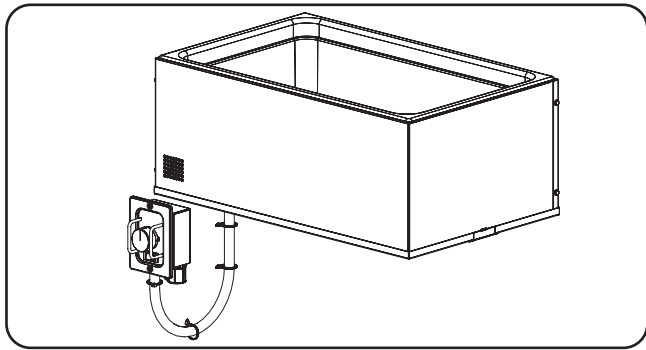
HWBIB-FUL models are a fully insulated version of the HWB-FUL models. These models are designed to be mounted to the underside of a non-combustible countertop.

HWBIB-FULD Models

HWBIB-FULD models are bottom mount insulated versions that have the same capabilities as the HWBIB-FUL but with a drain. The drain includes a 3/4" NPT drain fitting and flat drain screen that allows for pans to stay level for consistent temperatures. These models are designed to be mounted to the underside of a non-combustible countertop.

HWBIB-FULDA Models

HWBIB-FULDA models are bottom mount insulated versions that have the same capabilities as the HWBIB-FULD but with the optional Auto-Fill feature. The Auto-Fill feature fills and maintains the proper level of water in the well automatically. These models are designed to be mounted to the underside of a non-combustible countertop.



HWBIB-FUL and HWBIB-FULD Models

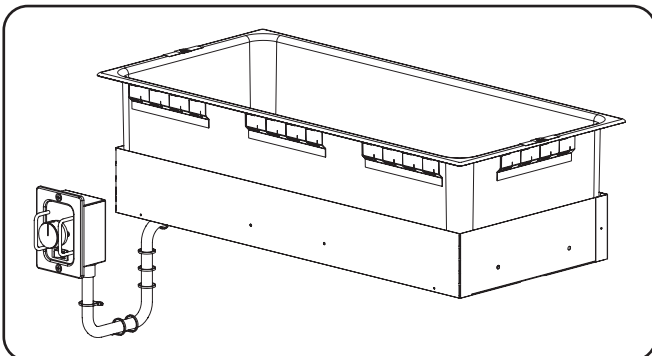
HWB-43 Models

HWB-43 models are capable of holding a variety of pan combinations listed below. These models are designed to be mounted to the topside of a non-combustible countertop or topside of a combustible countertop using the appropriate countertop mounting kit.

- One full size pan and one 1/3 size pan with adapter bars.
- Four 1/3 size pans with adapter bars.
- Two 1/2 size pans and one 1/3 size pan with adapter bars.
- Two 11 quart (10 L) round pans with adapter top.

An optional remote control enclosure with a digital temperature controller and an ON/OFF switch is available.

Pans, Covers, Adapter Bars, and Adapter Tops sold separately (see the OPTIONS AND ACCESSORIES section for details).



HWB-43 and HWB-43D Model

HWB-43D Models

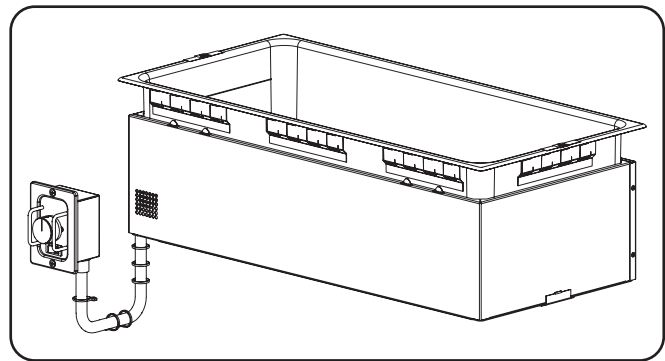
HWB-43D models have the same capabilities as the HWB-43 but with a drain. The drain includes a 3/4" NPT drain fitting and flat drain screen that allows for pans to stay level for consistent temperatures. These models are designed to be mounted to the topside of a non-combustible countertop or topside of a combustible countertop using the appropriate countertop mounting kit.

HWB-43DA Models

HWB-43DA models have the same capabilities as the HWB-43D but with the optional Auto-Fill feature. The Auto-Fill feature fills and maintains the proper level of water in the well automatically. These models are designed to be mounted to the topside of a non-combustible countertop or topside of a combustible countertop using the appropriate countertop mounting kit.

HWBI-43 Models

HWBI-43 models are the same as the HWB-43 models except the units are fully insulated. The insulated unit conserves energy and preserves more consistent heating temperatures. These models are designed to be mounted to the topside of a non-combustible countertop or topside of a combustible countertop using the appropriate countertop mounting kit.



HWBI-43 and HWBI-43D Models

HWBI-43D Models

HWBI-43D models are top mount insulated versions that have the same capabilities as the HWBI-43 but with a drain. The drain includes a 3/4" NPT drain fitting and flat drain screen that allows for pans to stay level for consistent temperatures. These models are designed to be mounted to the topside of a non-combustible countertop or topside of a combustible countertop using the appropriate countertop mounting kit.

HWB-4QT Models

HWB-4QT models are round Built-In Heated Wells that hold a 4 quart (4 l) pan. These models are designed to be mounted to the topside of a non-combustible countertop or topside of a combustible countertop using the appropriate countertop mounting kit.

HWB-4QTD Models

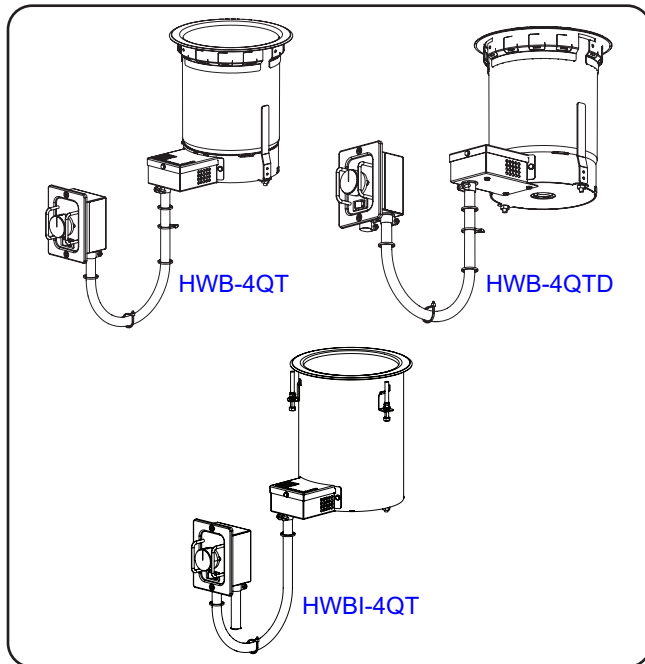
HWB-4QTD models are the same as the HWB-4QT but are equipped with a drain. The drain includes a 3/4" NPT drain fitting and flat drain screen that allows for pans to stay level for consistent temperatures.

HWBI-4QT Models

HWBI-4QT models are the same as the HWB-4QT models except the units are fully insulated. The insulated unit conserves energy and preserves more consistent heating temperatures. These models are designed to be mounted to the topside of a non-combustible countertop using the appropriate countertop mounting kit.

HWBI-4QTD Models

HWBI-4QTD models are the same as the HWB-4QTD models except the units are fully insulated. The insulated unit conserves energy and preserves more consistent heating temperatures. These models are designed to be mounted to the topside of a non-combustible countertop using the appropriate countertop mounting kit.



HWB-4QT, HWB-4QTD, and HWBI-4QT Model

HWB-7QT Models

HWB-7QT models are round Built-In Heated Wells that hold a 7 quart (7 l) pan. These models are designed to be mounted to the topside of a non-combustible countertop or topside of a combustible countertop using the appropriate countertop mounting kit.

HWB-7QTD Models

HWB-7QTD models are the same as the HWB-7QT but is equipped with a drain. The drain includes a 3/4" NPT drain fitting and flat drain screen that allows for pans to stay level for consistent temperatures.

HWBI-7QT Models

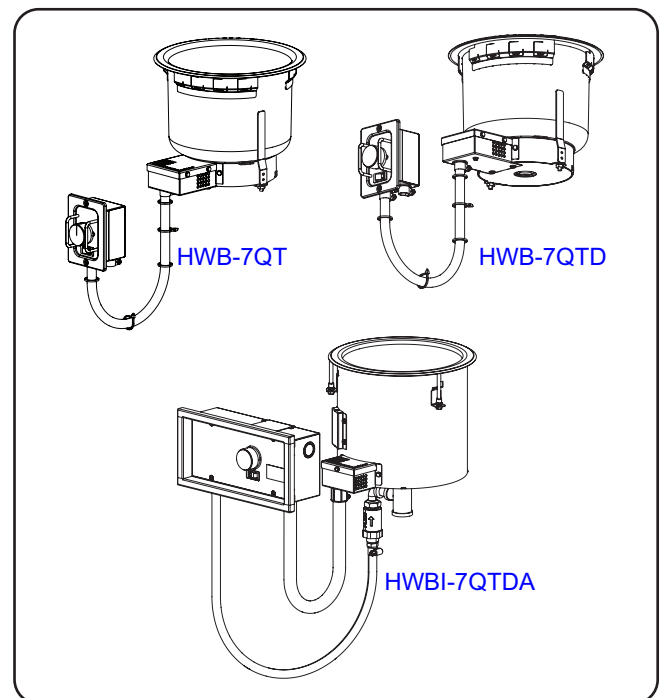
HWBI-7QT models are the same as the HWB-7QT models except the units are fully insulated. The insulated unit conserves energy and preserves more consistent heating temperatures. These models are designed to be mounted to the topside of a non-combustible countertop using the appropriate countertop mounting kit.

HWBI-7QTD Models

HWBI-7QTD models are the same as the HWB-7QTD models except the units are fully insulated. The insulated unit conserves energy and preserves more consistent heating temperatures. These models are designed to be mounted to the topside of a non-combustible countertop using the appropriate countertop mounting kit.

HWBI-7QTDA Models

HWBI-7QTDA models have the same capabilities as the HWBI-7QTD models but are equipped the optional Auto-Fill feature. The Auto-Fill feature fills and maintains the proper level of water in the well automatically. These models are designed to be mounted to the topside of a non-combustible countertop using the appropriate countertop mounting kit.



HWB-7QT, HWB-7QTD, and HWBI-7QT Models

HWB-11QT Models

HWB-11QT models are round Built-In Heated Wells that hold a 11 quart (10 l) pan. These models are designed to be mounted to the topside of a non-combustible countertop or topside of a combustible countertop using the appropriate countertop mounting kit.

HWB-11QTD Models

HWB-11QTD models are the same as the HWB-11QT models but is equipped with a drain. The drain includes a 3/4" NPT drain fitting and flat drain screen that allows for pans to stay level for consistent temperatures.

HWBI-11QT Models

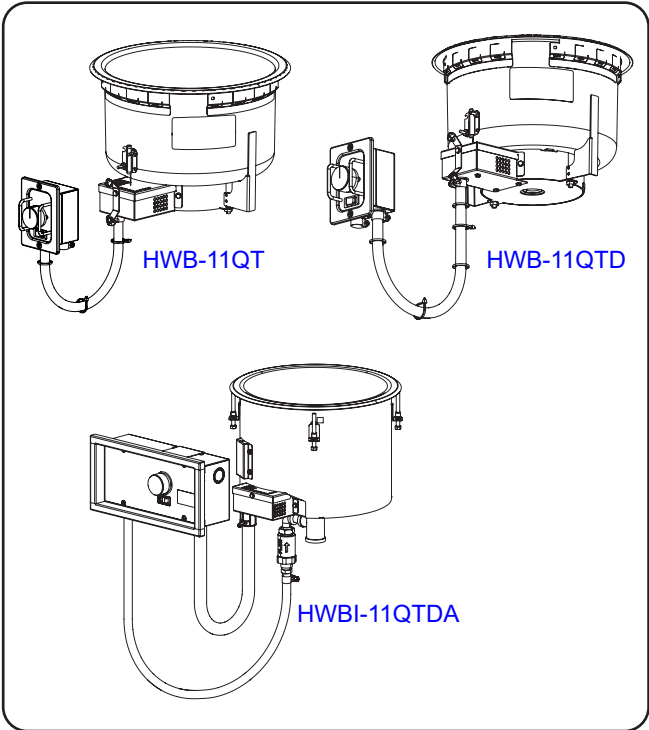
HWBI-11QT models are the same as the HWB-11QT models except the units are fully insulated. The insulated unit conserves energy and preserves more consistent heating temperatures. These models are designed to be mounted to the topside of a non-combustible countertop using the appropriate countertop mounting kit.

HWBI-11QTD Models

HWBI-11QTD models are the same as the HWB-11QTD models except the units are fully insulated. The insulated unit conserves energy and preserves more consistent heating temperatures. These models are designed to be mounted to the topside of a non-combustible countertop using the appropriate countertop mounting kit.

HWBI-11QTDA Models

HWBI-11QTDA models have the same capabilities as the HWBI-11QTD but are equipped the optional Auto-Fill feature. The Auto-Fill feature fills and maintains the proper level of water in the well automatically. These models are designed to be mounted to the topside of a non-combustible countertop using the appropriate countertop mounting kit.



HWB-11QT, HWB-11QTD, and HWBI-11QT Models

SPECIFICATIONS

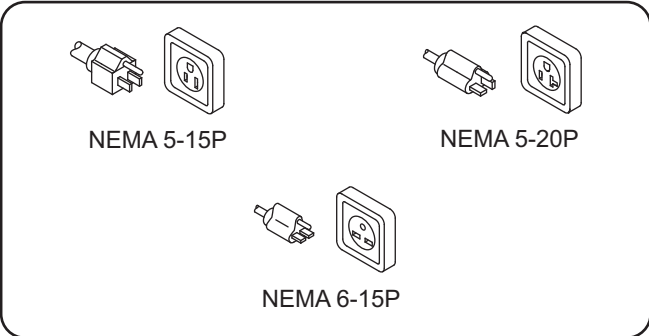
Plug Configurations

Some units are supplied from the factory with an electrical cord and plug installed. Plugs are supplied according to the application.



ELECTRIC SHOCK HAZARD: Plug unit into a properly grounded electrical receptacle of the correct voltage, size, and plug configuration. If plug and receptacle do not match, contact a qualified electrician to determine and install the proper voltage and size electrical receptacle.

NOTE: The specification label is located on the bottom of the unit or on the control enclosure. See label for serial number and verification of unit electrical information.



Plug Configurations

NOTE: Receptacle not supplied by Hatco.

Electrical Rating Chart — All **HWB-FUL** Models

Model	Voltage	Watts	Amps	Phase	Plug Configuration	Shipping Weight*
HWBLxx-FUL HWBLxx-FULD	120	750	6.3	1	NEMA 5-15P or Hardwired	21 lbs. (10 kg)
HWBLxx-FULDA	120	765	6.4	1	NEMA 5-15P or Hardwired	21 lbs. (10 kg)
HWBxx-FUL HWBxx-FULD	120	1200	10.0	1	NEMA 5-15P or Hardwired	21 lbs. (10 kg)
	208		5.8		NEMA 6-15P or Hardwired	
	240		5.0			
HWBxx-FULDA	120	1215	10.1	1	NEMA 5-15P or Hardwired	21 lbs. (10 kg)
	208		5.9		NEMA 6-15P or Hardwired	
	240		5.1			
HWBHxx-FUL HWBHxx-FULD	120	1650	13.8	1	NEMA 5-20P or Hardwired	21 lbs. (10 kg)
	208		7.9		NEMA 6-15P or Hardwired	
	240		6.9			
HWBHxx-FULDA	120	1665	13.9	1	NEMA 5-20P or Hardwired	21 lbs. (10 kg)
	208		8.0		NEMA 6-15P or Hardwired	
	240		7.0			

Electrical Rating Chart — All **HWB-43** Models

Model	Voltage	Watts	Amps	Phase	Shipping Weight*
HWBLxx-43	120	750	6.3	1	30 lbs. (14 kg)
HWBLxx-43DA	120	750	6.3	1	30 lbs. (14 kg)
HWBxx-43	120	1200	10.0	1	30 lbs. (14 kg)
	208		5.8		
	240		5.0		
HWBxx-43DA	120	1215	10.1	1	30 lbs. (14 kg)
	208		5.8		
	240		5.1		
HWBHxx-43	120	1650	13.8	1	30 lbs. (14 kg)
	208		7.9		
	240		6.9		
HWBHxx-43DA	120	1655	13.9	1	30 lbs. (14 kg)
	208		8.0		
	240		6.9		

* Add 6 lbs. (3 kg) to shipping weight for insulated units. Add 3 lbs. (1 kg) to shipping weight for units with a drain. Add 3 lbs. (1 kg) to shipping weight for units with Auto-Fill.

NOTE: Shipping weight includes packaging and is estimated.

Electrical Rating Chart — All **HWB-4QT** Models

Model	Voltage	Watts	Amps	Phase	Plug Configuration	Shipping Weight‡
HWBxx-4QT HWBxx-4QTD	120	500	4.2	1	NEMA 5-15P or Hardwired	9 lbs. (4 kg)
	208	536	2.6		Hardwired	
	240	600	2.5			
HWBHxx-4QT HWBHxx-4QTD	120	800	6.7	1	NEMA 5-15P or Hardwired	9 lbs. (4 kg)
	208	715	3.4		Hardwired	
	240	800	3.3			

Electrical Rating Chart — All **HWB-7QT** Models

Model	Voltage	Watts	Amps	Phase	Plug Configuration	Shipping Weight‡
HWBxx-7QT HWBxx-7QTD	120	500	4.2	1	NEMA 5-15P or Hardwired	10 lbs. (5 kg)
	208	536	2.6		Hardwired	
	240	600	2.5			
HWBxx-7QTDA	120	515	4.3	1	NEMA 5-15P or Hardwired	10 lbs. (5 kg)
	208	551	2.6		Hardwired	
	240	615	2.6			
HWBHxx-7QT HWBHxx-7QTD	120	800	6.7	1	NEMA 5-15P or Hardwired	10 lbs. (5 kg)
	208	715	3.4		Hardwired	
	240	800	3.3			
HWBHxx-7QTDA	120	815	6.8	1	NEMA 5-15P or Hardwired	10 lbs. (5 kg)
	208	730	3.5		Hardwired	
	240	815	3.4			

Electrical Rating Chart — All **HWB-11QT** Models

Model	Voltage	Watts	Amps	Phase	Plug Configuration	Shipping Weight‡
HWBxx-11QT HWBxx-11QTD	120	500	4.2	1	NEMA 5-15P or Hardwired	11 lbs. (5 kg)
	208	536	2.6		Hardwired	
	240	600	2.5			
HWBXX-11QTDA	120	515	4.3	1	NEMA 5-15P or Hardwired	11 lbs. (5 kg)
	208	551	2.6		Hardwired	
	240	615	2.6			
HWBHxx-11QT HWBHxx-11QTD	120	800	6.7	1	NEMA 5-15P or Hardwired	11 lbs. (5 kg)
	208	715	3.4		Hardwired	
	240	800	3.3			
HWBHXX-11QTDA	120	815	6.8	1	NEMA 5-15P or Hardwired	11 lbs. (5 kg)
	208	730	3.5		Hardwired	
	240	815	3.4			

‡ Add 3 lbs. (1 kg) to shipping weight for units with a drain.

NOTE: Shipping weight includes packaging and is estimated.

Water Supply Specifications (Auto-Fill Units)

NOTICE

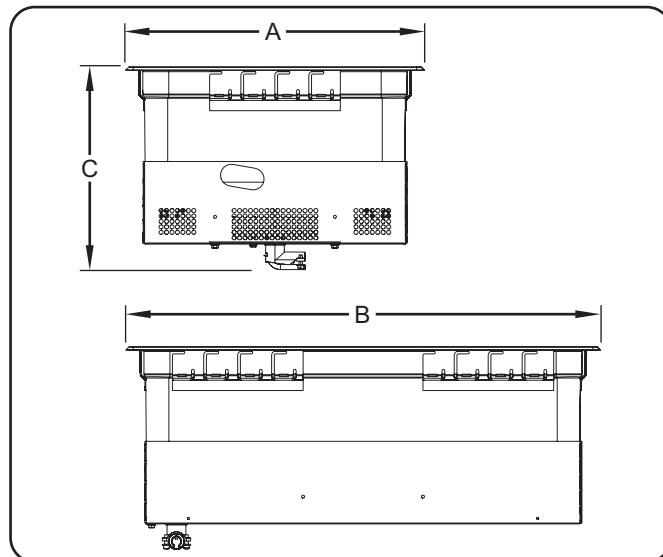
	Minimum	Maximum
Water Pressure	25 psi (172 kPa)	100 psi (689 kPa)
Water Temperature	60°F (15°C)	110°F (43°C)

Auto-fill units supplied with water from a reverse osmosis (RO) system (or similar water filtration system) must be installed with an operating remineralization system to ensure proper operation. Failure to do so may cause unit to overflow. Damage caused by overflowing is not covered under warranty.

Dimensions — **HWB-FUL** Models (Non-Insulated, Top Mount)

Models:		
HWB-FUL	HWBRN-FUL	HWBRT-FUL
HWB-FULD	HWBRN-FULD	HWBRT-FULD
HWBL-FUL	HWBLRN-FUL	HWBLRT-FUL
HWBL-FULD	HWBLRN-FULD	HWBLRT-FULD
HWBH-FUL	HWBHRN-FUL	HWBHRT-FUL
HWBH-FULD	HWBHRN-FULD	HWBHRT-FULD
Width (A)	Depth (B)	Height (C)†
13-3/4" (347 mm)	21-3/4" (553 mm)	9-3/8" (237 mm)

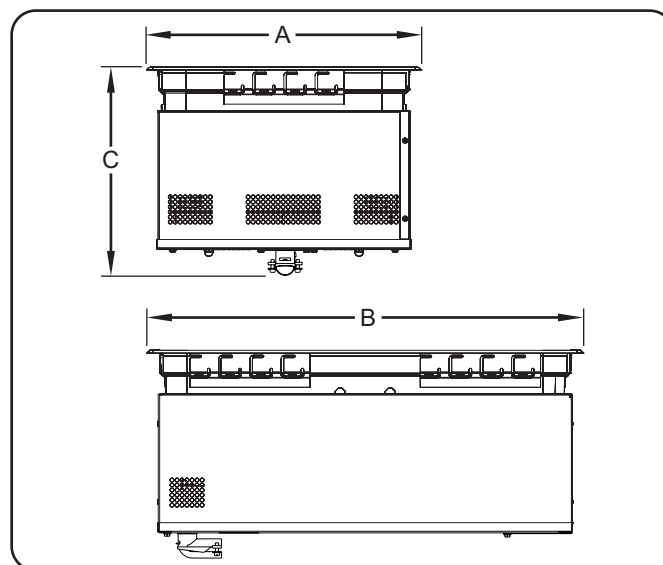
† For **HWB-FUL** units equipped with a cord and plug, Height dimension "C" is 15-1/8" (385 mm). The added height is for the control bracket mounted on the bottom of the unit.



Dimensions — **HWB-FUL** Models
(Non-Insulated, Top Mount)

Dimensions — **HWBI-FUL** Models (Insulated, Top Mount)

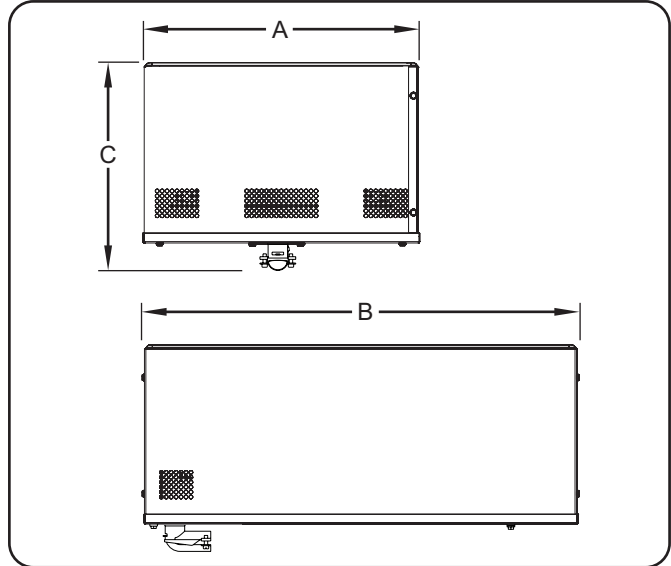
Models:		
HWBI-FUL	HWBIRT-FUL	
HWBI-FULD	HWBIRT-FULD	
HWBLI-FUL	HWBLIRT-FUL	
HWBIL-FULD	HWBLIRT-FULD	
HWBHI-FUL	HWBHIRT-FUL	
HWBHI-FULD	HWBHIRT-FULD	
Width (A)	Depth (B)	Height (C)
13-3/4" (347 mm)	21-3/4" (553 mm)	10-3/8" (263 mm)



Dimensions — **HWBI-FUL** Models
(Insulated, Top Mount)

Dimensions — HWBIB-FUL Models (Insulated, Bottom Mount)

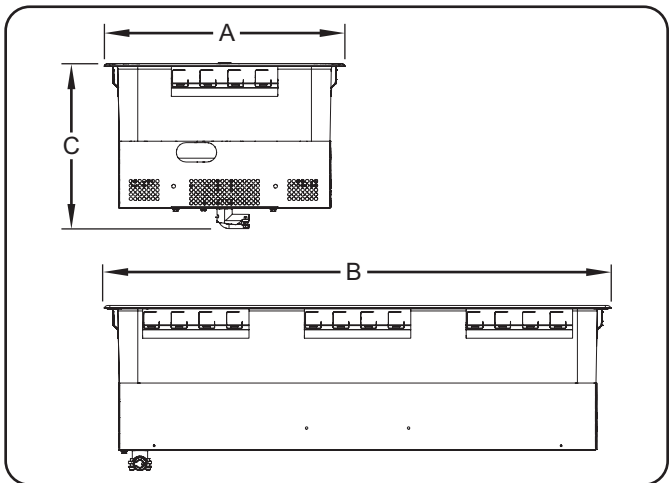
Models:		
HWBIB-FUL	HWBHIB-FUL	
HWBIB-FULD	HWBHIB-FULD	
HWBIB-FULDA	HWBHIB-FULDA	
HWLIB-FUL	HWLIBRT-FUL	
HWLIB-FULD	HWLIBRT-FULD	
HWLIB-FULDA	HWLIBRT-FULDA	
HWBIBRT-FUL	HWBHIBRT-FUL	
HWBIBRT-FULD	HWBHIBRT-FULD	
Width (A)	Depth (B)	Height (C)
13-7/8" (352 mm)	22-1/8" (561 mm)	10-3/8" (261 mm)



Dimensions — HWBIB-FUL Models (Insulated, Bottom Mount)

Dimensions — HWB-43 Models

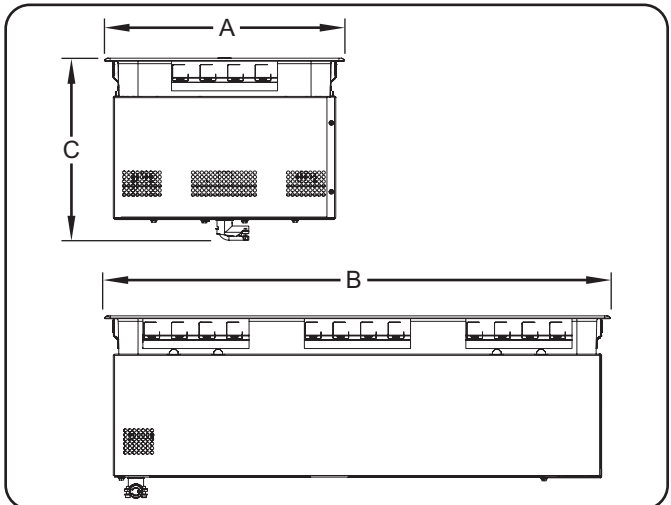
Models:		
HWB-43	HWB-43D	HWB-43DA
HWBL-43	HWBL-43D	HWBL-43DA
HWBH-43	HWBH-43D	HWBH-43DA
HWBRT-43	HWBRT-43D	HWBLRT-43
HWBLRT-43D	HWBHRT-43	HWBHRT-43D
HWBRN-43	HWBRN-43D	HWBLRN-43
HWBLRN-43D	HWBHRN-43	HWBHRN-43D
Width (A)	Depth (B)	Height (C)
13-5/8" (345 mm)	28-5/8" (726 mm)	9-7/16" (239 mm)



Dimensions — HWB-43 Models

Dimensions — HWBI-43 Models

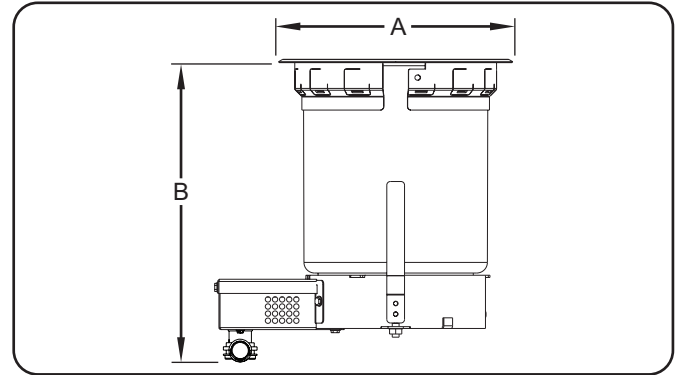
Models:		
HWBI-43	HWBI-43D	HWBLI-43
HWBLI-43D	HWBHI-43	HWBHI-43D
Width (A)	Depth (B)	Height (C)
13-5/8" (345 mm)	28-5/8" (726 mm)	10-5/16" (262 mm)



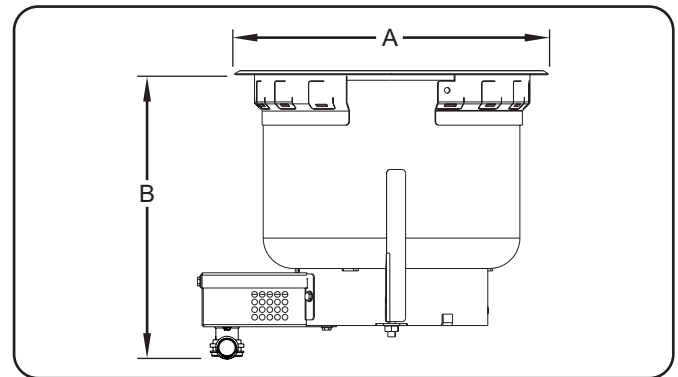
Dimensions — HWBI-43 Models

Dimensions — **HWB-4QT** Models

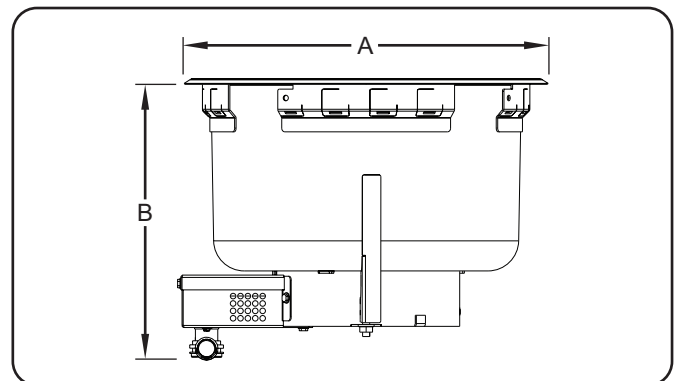
Models:		
HWB-4QT	HWBRN-4QT	HWBRT-4QT
HWB-4QTD	HWBRN-4QTD	HWBRT-4QTD
HWBI-4QT	HWBI-4QTD	
Diameter (A)	Height (B)	
8-3/8" (212 mm)	10-5/8" (270 mm)	

Dimensions — **HWB-4QT** ModelsDimensions — **HWB-7QT** Models

Models:		
HWB-7QT	HWBRN-7QT	HWBRT-7QT
HWB-7QTD	HWBRN-7QTD	HWBRT-7QTD
HWBH-7QT	HWBHRN-7QT	HWBHRT-7QT
HWBH-7QTD	HWBHRN-7QTD	HWBHRT-7QTD
HWBI-7QT	HWBI-7QTD	HWBI-7QTDA
HWBIH-7QT	HWBIH-7QTD	HWBIH-7QTDA
Diameter (A)	Height (B)	
10-5/16" (262 mm)	9-5/8" (244 mm)	

Dimensions — **HWB-7QT** ModelsDimensions — **HWB-11QT** Models

Models:		
HWB-11QT	HWBRN-11QT	HWBRT-11QT
HWB-11QTD	HWBRN-11QTD	HWBRT-11QTD
HWBH-11QT	HWBHRN-11QT	HWBHRT-11QT
HWBH-11QTD	HWBHRN-11QTD	HWBHRT-11QTD
HWBI-11QT	HWBI-11QTD	HWBI-11QTDA
HWBIH-11QT	HWBIH-11QTD	HWBIH-11QTDA
Diameter (A)	Height (B)	
12-5/16" (313 mm)	9-5/8" (244 mm)	

Dimensions — **HWB-11QT** Models

General

Built-In Heated Well units are shipped from the factory with most components assembled and ready for use. Use the following procedures to install the unit.

WARNING

ELECTRIC SHOCK HAZARD: Unit is not weatherproof. Locate unit indoors where ambient air temperature is a minimum of 70°F (21°C).

FIRE HAZARD:

- Install unit with a minimum of 3-1/2" (89 mm) of space from bottom of unit to all combustible surfaces to prevent combustion.
- Unit must be installed using ribbon putty gasket between the unit and the installation surface per installation instructions.

This unit must be installed by qualified, trained installers. Installation must conform to all local electrical and plumbing codes. Check with local plumbing and electrical inspectors for proper procedures and codes.

CAUTION

Locate the unit at the proper counter height in an area that is convenient for use. The location should be strong enough to support the weight of the unit and contents.

NOTICE

Units are voltage-specific. Refer to specification label for electrical requirements before beginning installation.

Do not locate unit in an area subject to excessive temperatures or grease from grills, fryers, etc. Excessive temperatures could cause damage to the unit.

Unit is designed and recommended for use in or on metallic countertops. Damage to any countertop material is not covered under the Hatco warranty. For other surfaces, verify with manufacturer that material is suitable for prolonged temperatures up to 200°F (93°C).

NOTICE

Remote mounted control panels must have a minimum 6" (152 mm) clearance from unit (not to exceed 72" [1829 mm]). Mounting control panel closer may cause heat damage to electrical system in control panel.

Damage to any countertop material caused by heat generated from Hatco equipment is not covered under the Hatco warranty. Contact the manufacturer of the countertop material for application information.

NOTE: All Built-In Heated Wells require the control enclosure be remote mounted in the vertical position.

1. Remove the unit from the box.

NOTE: To prevent delay in obtaining warranty coverage, complete online warranty registration. See the IMPORTANT OWNER INFORMATION section for details.

2. Remove tape and protective packaging from all surfaces of unit.

NOTE: A qualified electrician is recommended for connecting the Built-In Heated Well units to a power source. A qualified plumber is recommended for connecting drain.

3. Install the unit in the desired location. Use the appropriate procedure in this section for combustible or non-combustible countertops.

IMPORTANT NOTE:

For bottom mount units, see "Installing a Bottom Mount Unit" in this section or "Mounting Bracket for Bottom Mount Units" in the OPTIONS AND ACCESSORIES section before performing any countertop cutouts.

4. Install the remote control enclosure (refer to the procedure in this section).

Installing Top Mount Unit into Combustible Countertop



FIRE HAZARD:

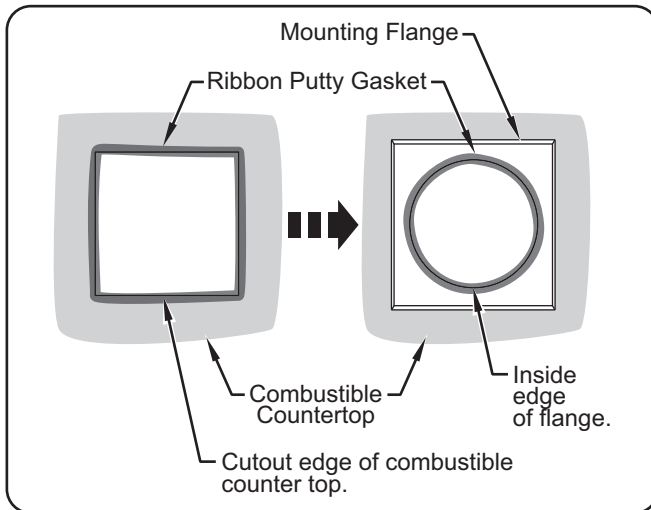
- Hatco mounting flange kits must be used when mounting unit in a combustible countertop.
- Unit must be installed using ribbon putty gasket between the unit and the installation surface per installation instructions.

NOTE: Cut the opening for both the mounting flange/unit and the control enclosure before placing the assembly into the countertop opening.

NOTE: Make sure the installation location provides enough room for the remote control enclosure, electrical connections, and plumbing connections.

1. Cut the appropriate opening for the mounting flange into the countertop. Refer to "Combustible Countertop Cutout Chart (for Unit/Mounting Kit)" in this section.
2. Cut the appropriate opening for the control enclosure. Refer to "Control Enclosure Cutout Dimensions" in this section.
3. Place ribbon putty gasket around the cutout edge of the countertop. Make sure the ribbon putty gasket overhangs the cutout edge or seal the unit with silicone adhesive.

NOTE: A roll of ribbon putty gasket material is supplied with the unit.

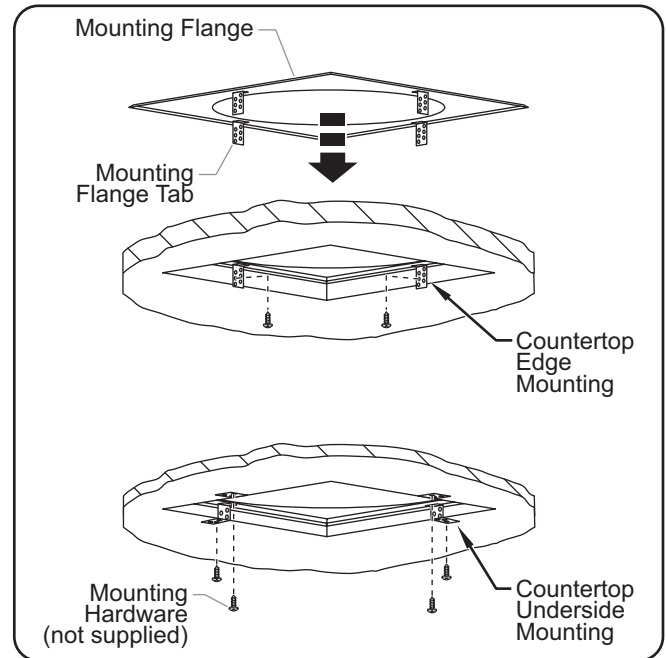


Installing Ribbon Putty Gasket

4. Place the mounting flange into the countertop opening.

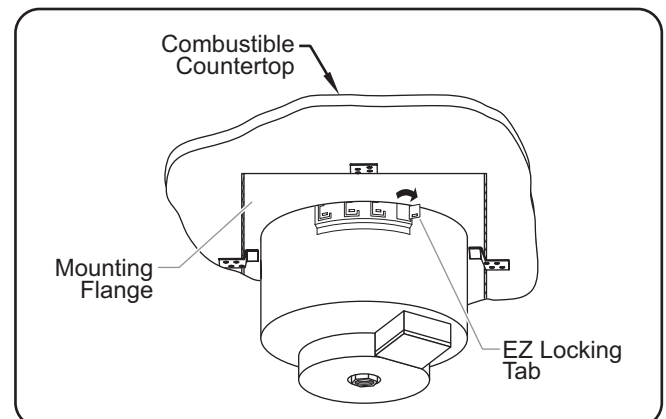
5. Secure the mounting flange tabs to the edge or the underside of the combustible countertop using the appropriate hardware (mounting hardware not supplied).

NOTE: For underside mounting, tabs on mounting flange must be bent to the underside of the countertop.



Installation of Mounting Flange Kit

6. Place ribbon putty gasket around the inside edge of the mounting flange. Make sure the ribbon putty gasket overhangs the edge of the flange or seal the unit with silicone adhesive.
7. Place the unit into the mounting flange opening.
8. Using a screwdriver, rotate the unit's EZ locking tab outward to secure the unit to the underside of the mounting flange. Rotate **as many tabs as needed** to secure the unit to the mounting flange.



EZ Locking Tabs

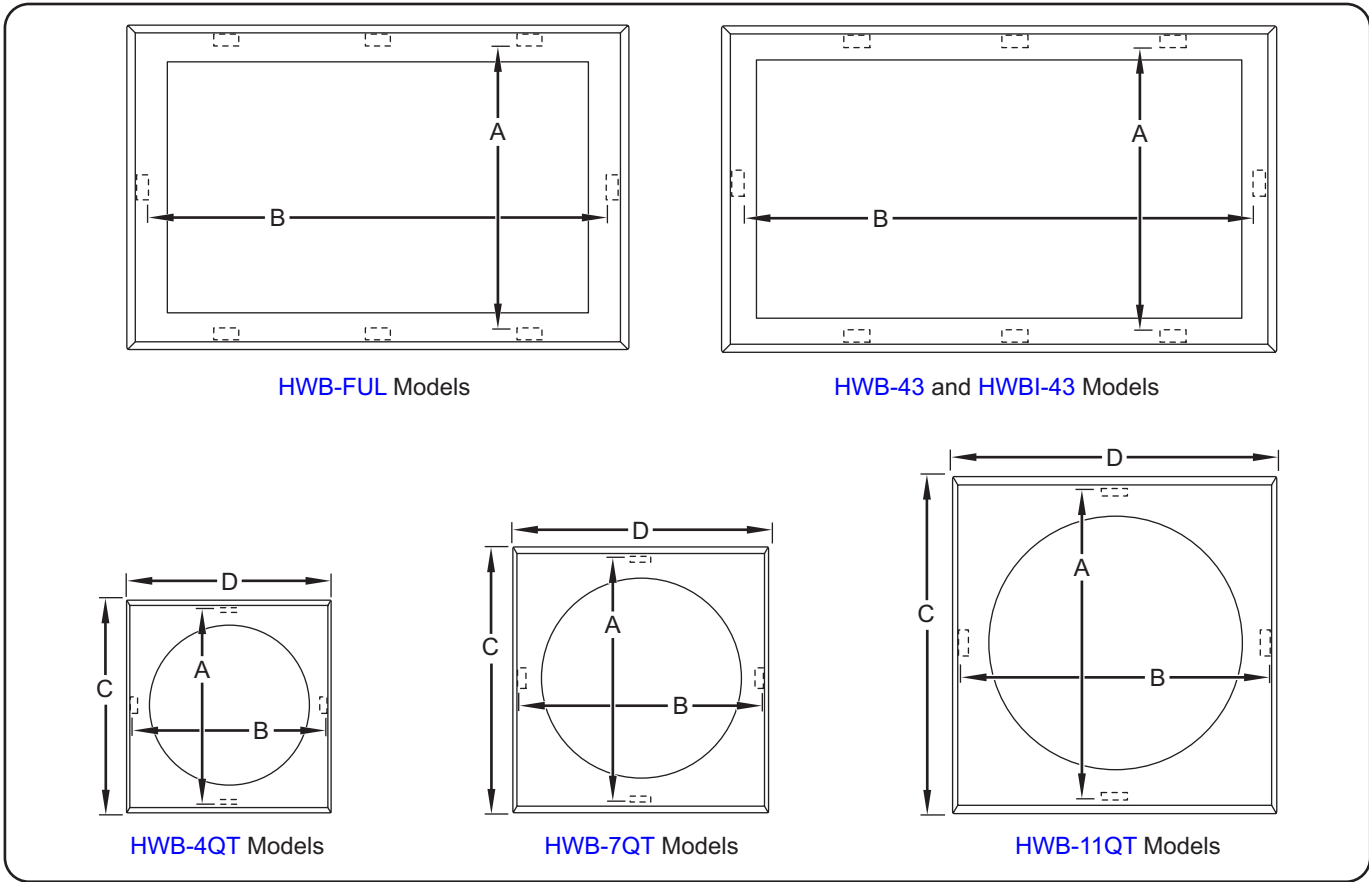
9. Carefully trim and remove the excess ribbon putty gasket material from around the unit.

Combustible Countertop Cutout Chart (for Unit/Mounting Kit)							
Models	Minimum Width (A)	Maximum Width (A)	Minimum Depth (B)	Maximum Depth (B)	Overall Width (C)	Overall Depth (D)	Below Counter Clearance
HWB-FUL	14" (356 mm)	14-1/4" (362 mm)	22" (559 mm)	22-1/4" (565 mm)	---	---	10-1/2" (267 mm)
HWB-43 HWBI-43	14" (356 mm)	14-1/4" (362 mm)	29" (737 mm)	29-1/4" (743 mm)	---	---	10" (254 mm)
HWB-4QT♦	9" (229 mm)	9-1/4" (235 mm)	9" (229 mm)	9-1/4" (235 mm)	10" (254 mm)	10" (254 mm)	11" (279 mm)
HWB-7QT♦	11" (279 mm)	11-1/4" (286 mm)	11" (279 mm)	11-1/4" (286 mm)	12" (305 mm)	12" (305 mm)	10" (254 mm)
HWB-11QT♦	13" (330 mm)	13-1/4" (337 mm)	13" (330 mm)	13-1/4" (337 mm)	14" (356 mm)	14" (356 mm)	10" (254 mm)

♦ Combustible countertop opening is a "square" cut-out.

NOTE: Mounting kit required for combustible countertop installations.

NOTE: Allow additional clearance below the counter for units equipped with a drain.



Combustible Countertop Mounting Flange Templates

Installing Top Mount Unit into Non-Combustible Countertop



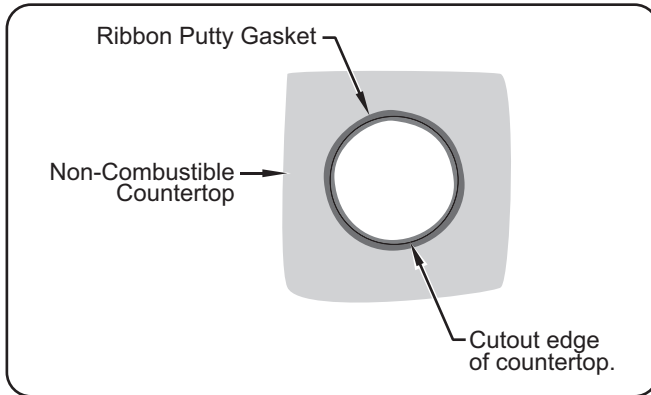
FIRE HAZARD: Unit must be installed using ribbon putty gasket between unit and installation surface per installation instructions (refer to Installation section of this manual).

NOTE: Mounting flange kit is not required for installation into non-combustible material.

NOTE: Cut the opening for both the unit and the control enclosure before placing unit into the countertop opening.

NOTE: Make sure the installation location provides enough room for the remote control enclosure, electrical connections, and plumbing connections.

1. Cut the appropriate opening in the countertop. Refer to "Non-Combustible Countertop Cutout Chart" in this section.
2. Cut the appropriate opening for the control enclosure. Refer to "Control Enclosure Cutout Dimensions" in this section.
3. Place ribbon putty gasket around the cutout edge of the countertop. Make sure the ribbon putty gasket overhangs the cutout edge or seal unit with silicone adhesive.

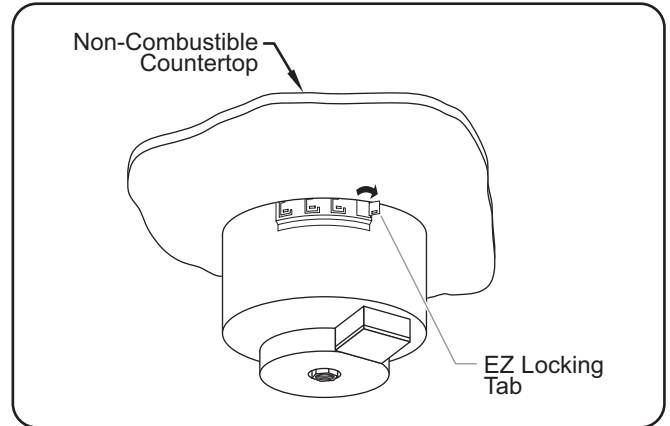


Installing Ribbon Putty Gasket

NOTE: A roll of ribbon putty gasket material is supplied with the unit.

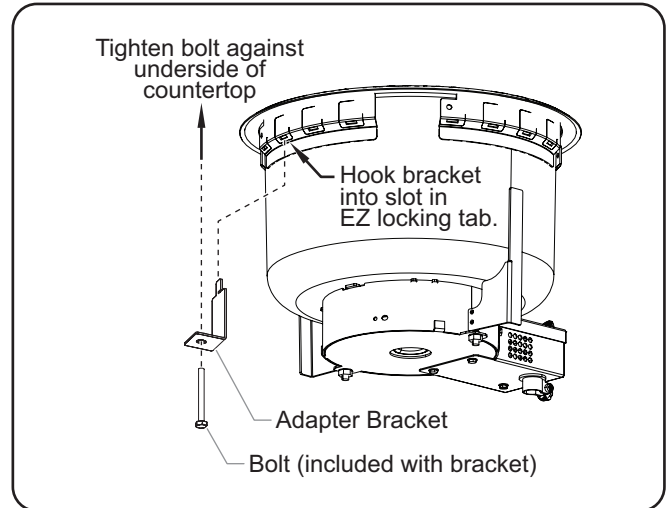
4. Place the unit into the countertop opening.

5. Using a screwdriver, rotate the unit's EZ locking tab outward to secure the unit to the underside of the countertop. Rotate as many tabs as needed to secure the unit to the countertop.



EZ Locking Tabs

NOTE: The Hatco EZ locking tabs work on countertops that have a maximum thickness of 3/16" (5 mm). For countertops 3/16"-2" thick, use optional adapter bracket P/N [R04.42.194.00](#). Refer to the **OPTIONS AND ACCESSORIES** section for more information.



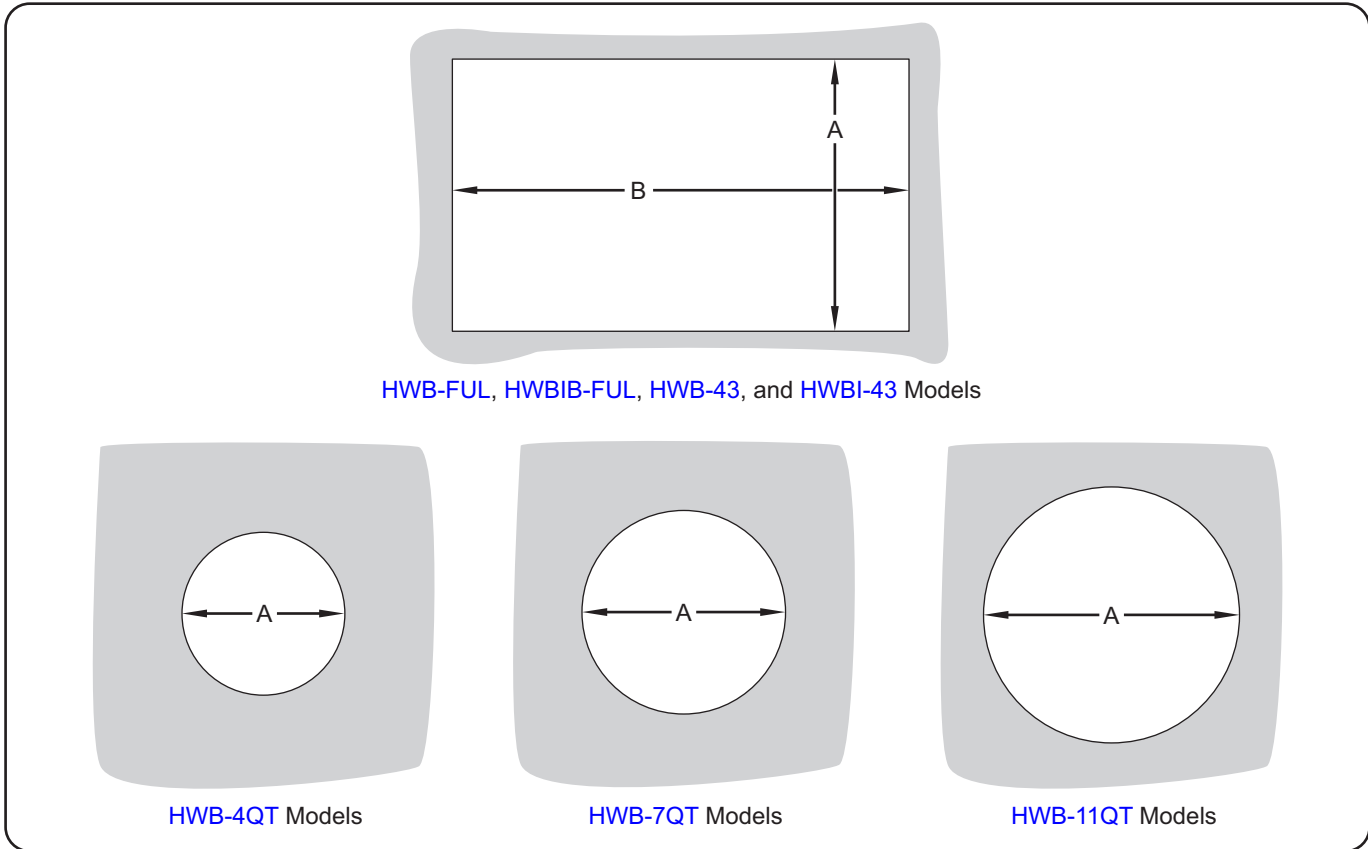
Thick Countertop Adapter Bracket

6. Carefully trim and remove the excess ribbon putty material from around the unit.

Non-Combustible Countertop Cutout Chart					
Models	Minimum Width (A)	Maximum Width (A)	Minimum Depth (B)	Maximum Depth (B)	Below Counter Clearance
HWB-FUL	12-5/8" (321 mm)	12-15/16" (328 mm)	20-5/8" (524 mm)	20-15/16" (531 mm)	10-1/2" (267 mm)
HWBIB-FUL ■	12-1/32" (306 mm)	12-1/32" (306 mm)	20-1/32" (509 mm)	20-1/32" (509 mm)	10-1/2" (267 mm)
HWB-43 HWBI-43	12-11/16" (323 mm)	12-15/16" (328 mm)	27-11/16" (704 mm)	28" (711 mm)	10" (254 mm)
HWB-4QT	Ø 7-1/8" (181 mm)	Ø 7-9/16" (192 mm)	---	---	11" (279 mm)
HWBI-4QT	Ø 7-3/8" (187 mm)	Ø 7-9/16" (192 mm)	---	---	11" (279 mm)
HWB-7QT	Ø 9-1/8" (232 mm)	Ø 9-9/16" (243 mm)	---	---	10" (254 mm)
HWBI-7QT	Ø 9-9/16" (243 mm)	Ø 9-9/16" (243 mm)	---	---	10" (254 mm)
HWB-11QT	Ø 11-1/8" (282 mm)	Ø 11-9/16" (294 mm)	---	---	10" (254 mm)
HWBI-11QT	Ø 11-3/8" (289 mm)	Ø 11-9/16" (294 mm)	---	---	10" (254 mm)

■ Refer to "Installing A Bottom Mount Unit" in the INSTALLATION section for additional cutout dimensions using flange installation. If using optional Mounting Brackets, refer to "Mounting Brackets for Bottom Mount Units" in the OPTIONS AND ACCESSORIES section.

NOTE: Allow additional clearance below the counter for units equipped with a drain.



Non-Combustible Countertop Mounting Templates

Installing a Remote Control Enclosure



ELECTRIC SHOCK HAZARD:

- The remote control enclosure must be mounted on a vertical wall and installed in the vertical position. Mounting the control enclosure in the horizontal position may result in the collection of liquids and lead to an electric shock.
- Operating voltage of remote control enclosure water valve exceeds 50 V (extra low voltage). Enclosure is marked with the following hazard identification symbol: ⚡

NOTE: A qualified electrician is recommended for connecting the unit to a power source. A qualified plumber is recommended for connecting drain(s) and Auto-Fill.

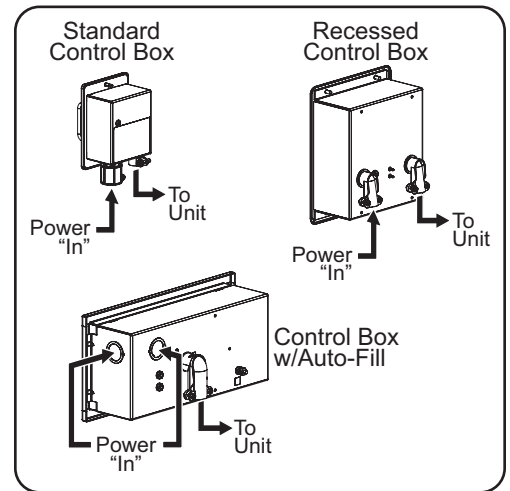
1. Cut and drill the appropriate holes in the mounting surface. Refer to the "Control Enclosure Cutout Dimensions" below for the cutout dimensions for each control enclosure.
2. Remove the trim cover from the control enclosure assembly.

3. Position the control enclosure into the opening through the backside.
4. Secure the control enclosure to the mounting surface using screws (#8 sheet metal screws supplied).
5. Connect the proper power source to the mounted remote control enclosure.
 - For corded units, plug power cord into a properly grounded electrical receptacle of the correct voltage, size, and plug configuration. See the SPECIFICATIONS section for details.
 - For hardwired units, have a qualified electrician make the appropriate electrical connections.

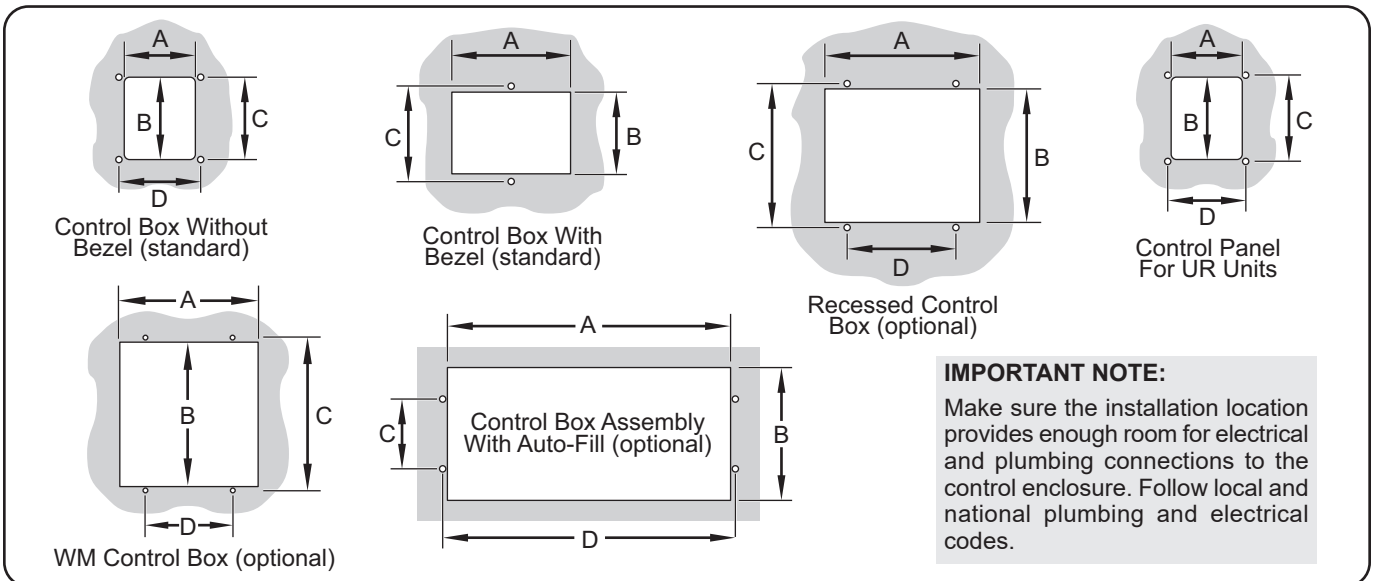
NOTE: Standard, UL approved hardwired units are equipped with a 36" (914 mm) flexible conduit connected to the control enclosure.

6. Connect the water supply to the optional Auto-Fill system, if equipped. Refer to the "Installing an Auto-Fill Unit" procedure in this section.
7. Reinstall the trim cover.

Control Enclosure Cutout Dimensions				
Model	Opening Dimensions		Screw Hole Dimensions	
	(A)	(B)	(C)	(D)
Control Box Assembly Without Bezel (standard)	2-3/16" (55 mm)	3-3/8" (86 mm)	3-1/4" (83 mm)	2-1/2" (64 mm)
Control Box Assembly With Bezel (standard)	3-1/4" (83 mm)	3-3/4" (95 mm)	4-1/8" (105 mm)	--- ---
Recessed Control Box Assembly (optional)	5-7/8" (149 mm)	6-3/8" (162 mm)	6-13/16" (173 mm)	3-7/8" (98 mm)
Control Panel for UR Units	2-1/8" (54 mm)	3-3/8" (86 mm)	3-1/2" (89 mm)	2-1/4" (57 mm)
WM Control Assembly (optional)	4-3/4" (121 mm)	5" (127 mm)	5-1/4" (133 mm)	3" (76 mm)
Control Box Assembly with Auto-Fill (optional)	10-1/8" (257 mm)	4-3/4" (121 mm)	2-1/2" (64 mm)	10-7/16" (264 mm)



Control Enclosure Electrical Connections



IMPORTANT NOTE:
Make sure the installation location provides enough room for electrical and plumbing connections to the control enclosure. Follow local and national plumbing and electrical codes.

Control Enclosure Assembly Cutout Dimensions

Installing an Auto-Fill Unit

The side mounted Auto-Fill option connects the on-site water supply through the control panel to an Auto-Fill fitting on the side of the well enclosure. Use the following procedure to install a unit equipped with the side mounted Auto-Fill option.

NOTE: The Plumbing Kit that comes with this unit includes the following parts: street elbow, back-flow preventer valve, fill tube hose, and hose clamps.



Auto-Fill units must be installed with adequate backflow protection and must conform with federal, state, and local codes.



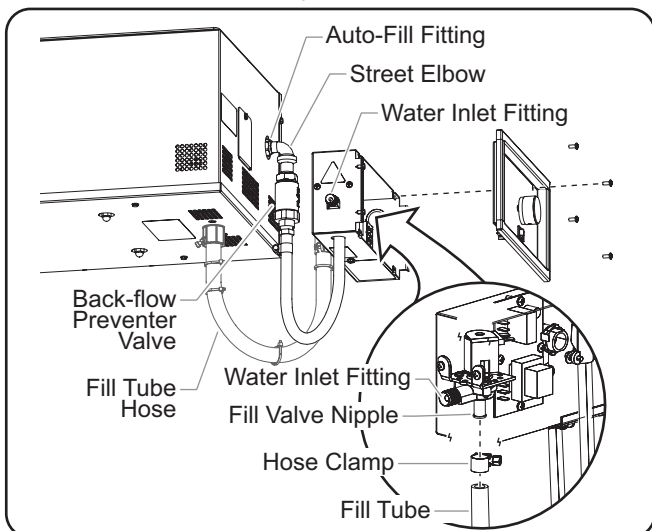
Auto-fill units supplied with water from a reverse osmosis (RO) system (or similar water filtration system) must be installed with an operating remineralization system to ensure proper operation. Failure to do so may cause unit to overflow. Damage caused by overflowing is not covered under warranty.

Drain sealants must have temperature rating of 500°F or higher. Incoming water pipes must be FDA compliant for potable water.

1. Connect the street elbow to the Auto-Fill fitting located on the outside of the well. Replace the fill tube hose on fitting.

NOTE: The fill tube hose may need to be removed from the Plumbing Kit for ease of installation.

2. Connect the fill tube hose to the fill valve nipple in the control enclosure and secure using the hose clamp. (Disassemble the control enclosure trim cover to access the nipple.)
3. Connect the on-site water supply line to the 1/4" NPT water inlet fitting on the control enclosure.
4. Turn on the water supply and check for leaks.



Installing a Side Mounted Auto-Fill Unit (HWBIB-FULDA shown)

NOTE: Refer to "Water Supply Specifications" in the SPECIFICATIONS section of this manual for water supply requirements.

Installing A Drain Assembly

After installing a drain-equipped unit into the countertop, use the following procedure to connect the unit to the on-site drain line.

NOTE: Consult a licensed plumbing contractor for proper drain installation that conforms to local plumbing codes.

NOTE: Approved air gap or other back-flow prevention device must be installed by a licensed plumber, if required.



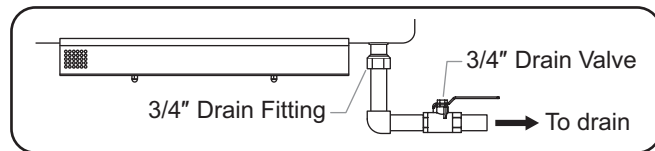
BURN HAZARD: Drain water may reach temperatures in excess of 200°F (93°C). Use appropriate plumbing materials when installing drain.

1. Connect drain pipe (supplied by others) from the 3/4" NPT drain fitting on the bottom of the unit to a 3/4" drain valve (available as an accessory from Hatco).

NOTE: The drain valve must be installed in an easily accessible location for the operator.

2. Connect the drain valve to the on-site drain line (not supplied).

NOTE: Hatco recommends using a union fitting with the drain assembly for ease of servicing.

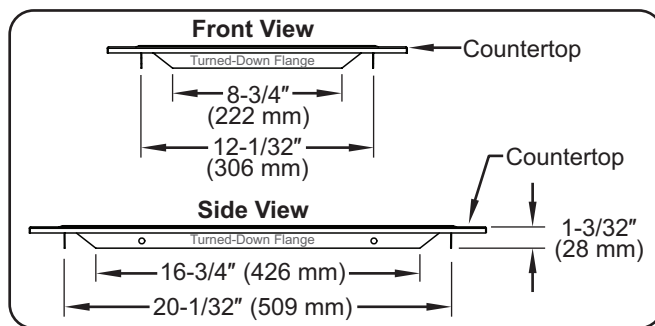


Drain Connection

Installing a Bottom Mount Unit

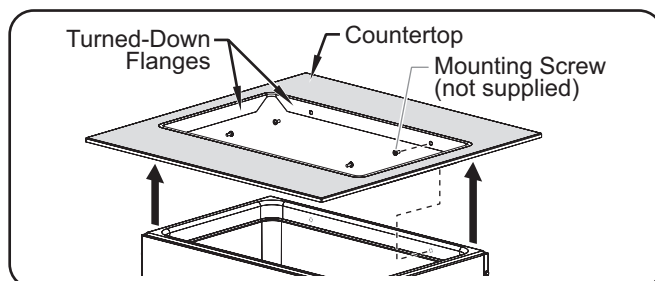
Installation of a bottom mount unit requires custom fabrication of the countertop by a qualified and experienced installer. Use the following information as guidelines for one method of installing a bottom mount unit. Refer to the OPTIONS AND ACCESSORIES section for installation with an optional mounting bracket.

- Create the countertop cutout with turned-down flanges on all four sides. These flanges should be positioned on the inside of the well for installation.



Suggested Turned-Down Flange Dimensions

- Apply silicone sealant to the top edge of the well before installation.
- Secure the unit to the countertop by installing mounting screws (not supplied) through the turned-down flanges and into the top rim of the well.



Installing Bottom Mount Unit

General

Use the following procedures to operate a Built-In Heated Well.

WARNING

Read all safety messages in the **IMPORTANT SAFETY INFORMATION** section before operating this equipment.

ELECTRIC SHOCK HAZARD:

- Do not use unit to melt or hold ice. Doing so may cause condensation, creating an electrical hazard and causing personal injury and/or damage to unit. Damage caused by condensation is not covered by warranty.
- For units without Auto-Fill, turn off unit when filling with water and avoid splashing.

NOTICE

Auto-fill units supplied with water from a reverse osmosis (RO) system (or similar water filtration system) must be installed with an operating remineralization system to ensure proper operation. Failure to do so may cause unit to overflow. Damage caused by overflowing is not covered under warranty.

Standard and approved manufacturing oils may smoke up to 30 minutes during initial startup. This is a temporary condition. Operate unit without food product until smoke dissipates.

Unit must be allowed to cool down to room temperature before changing from wet-to-dry or dry-to-wet operation. Allowing unit to run dry during wet operation or adding water during dry operation will damage unit.

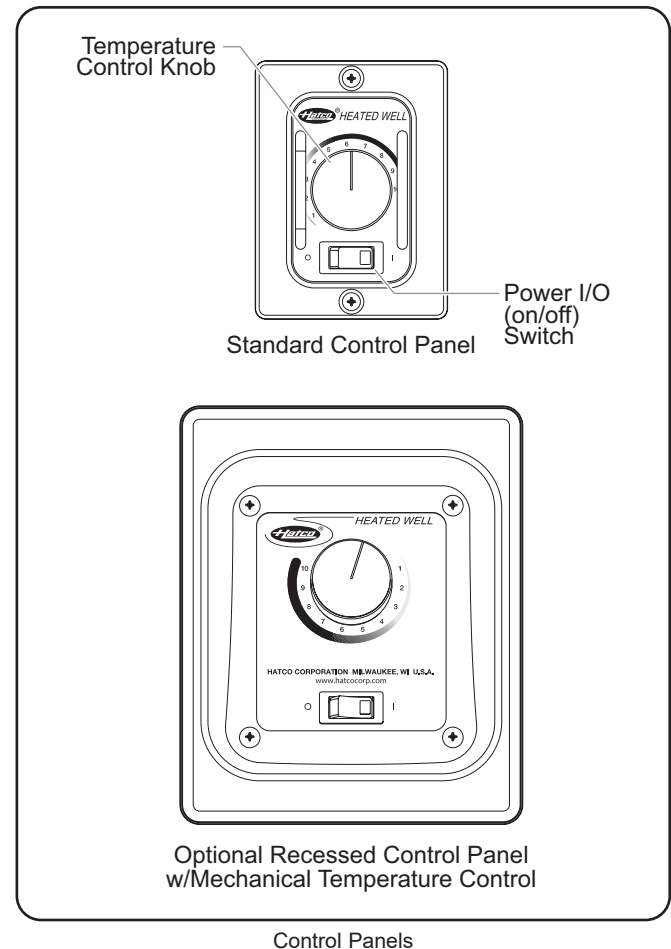
Hatco Built-In Heated Wells are designed for WET or DRY operation. Hatco recommends wet operation for consistent food heating. If the unit is operating wet and is allowed to run dry, turn it off and allow to cool before adding water.

Startup

1. Prepare the heated well for operation.
 - If using the well for wet operation without Auto-Fill, make sure the drain valve is closed (if equipped) and manually fill the well with hot tap water until the water is a maximum of 1-1/4" (32 mm) deep.
 - If the unit is equipped with the Auto-Fill option, make sure the drain valve is closed.
2. Place an empty pan in the well or cover the well with a lid. This step is recommended to speed up pre-heating and reach operating temperature.
3. Move the Power I/O (on/off) switch to the I (on) position. The indicator light on the switch glows when the unit is on.
 - If the unit is equipped with the Auto-Fill option, the Power I/O switch will activate the Auto-Fill system when it is moved to the I (on) position. The well will fill with water until the water reaches the water level sensor in the well. During operation, the Auto-Fill system will maintain the water level automatically using the water level sensor.
4. Turn the Temperature Control Knob to adjust the temperature of the unit to the desired safe food temperature.
5. Allow heated well to preheat for approximately 30 minutes.

WARNING

Hatco Corporation is not responsible for actual food product serving temperature. It is the responsibility of the user to ensure that food product is held and served at a safe temperature.



NOTE: Refer to the **OPTIONS AND ACCESSORIES** section for units equipped with the optional digital temperature controller.

Food Warming

Place the appropriate size food pan(s) into the unit opening.

- Always use a food pan. Do not place food directly into the warmer.
- Stir thick food items frequently to keep food heated uniformly.
- Keep pans covered to maintain food quality and temperature.

Shutdown

1. Move the Power I/O (on/off) switch to the O (off) position. The indicator light on the switch will shut off and the Auto-Fill system will be deactivated (if equipped).

General

Hatco Built-In Heated Wells are designed for maximum durability and performance, with minimum maintenance.



WARNING

ELECTRIC SHOCK HAZARD:

- Turn OFF power switch, unplug power cord/turn off power at circuit breaker, and allow unit to cool before performing any cleaning, adjustments, or maintenance.
- DO NOT submerge or saturate with water. Unit is not waterproof. Do not operate if unit has been submerged or saturated with water.
- Do not clean unit when it is energized or hot.
- This unit is not “jet-proof” construction. Do not use jet-clean spray to clean this unit.

FIRE HAZARD: Do not use flammable cleaning solutions to clean this unit.

This unit has no “user-serviceable” parts. If service is required on this unit, contact an Authorized Hatco Service Agent or contact the Hatco Service Department at 414-671-6350.

NOTICE

Do not use steel wool for cleaning. Steel wool will scratch the finish.

Use non-abrasive cleaners and cloths only. Abrasive cleaners and cloths could scratch finish of unit, marring its appearance and making it susceptible to soil accumulation.

Do not use harsh chemicals such as bleach, cleaners containing bleach, or oven cleaners to clean this unit. Damage caused by chemicals is not covered by warranty.

Daily Cleaning

To preserve the finish of the Built-In Well, perform the following cleaning procedure daily.

1. Move the Power I/O (on/off) switch to the **O** (off) position and allow the unit to cool.
2. Remove and wash any pans and adapters.
3. Drain or remove water from the well if used for wet operation.
4. Wipe down the entire unit using a clean cloth or sponge and mild detergent.
5. Use a plastic scouring pad to remove any hardened food particles or mineral deposits.
6. Rinse the well thoroughly with water to remove all detergent residue.
7. Wipe dry the entire unit using a non-abrasive, dry cloth.

Removing Lime and Mineral Deposits

Use the following procedure whenever lime or scale is seen accumulating on the sides of the heated wells.

1. Move the Power I/O (on/off) switch to the **O** (off) position and allow the unit to cool.
2. Remove and wash any pans and adapters.
3. Open the drain valve (if equipped) or manually remove water from the well(s) if used for wet operation.
4. Close the drain valve.
5. Fill the well with a mixture of 50% water and 50% white vinegar until the solution is at normal operating level (1" to 1-1/2" deep) or covers the accumulated scale. Do not use flavored vinegar.
6. Move the Power I/O switch to the **I** (on) position and heat water to the maximum temperature of 190°F (88°C).
7. Move the Power I/O switch to the **O** (off) position and cover the well.
8. Allow the solution to soak for at least one hour or overnight for heavy buildup.
9. Drain or remove the water/cleaning solution from the well.
10. Scrub the well with a plastic scouring pad.
11. Rinse the well thoroughly with water.
12. Wipe dry the entire unit using a non-abrasive, dry cloth.

NOTE: Heavy scale buildup may require additional treatments.

**WARNING**

This unit must be serviced by qualified personnel only. Service by unqualified personnel may lead to electric shock or burn.

**WARNING**

ELECTRIC SHOCK HAZARD: Turn power switch OFF, disconnect unit from power source, and allow unit to cool before performing any maintenance or cleaning.

Symptom	Probable Cause	Corrective Action
Food well not hot enough.	Temperature Control set too low.	Adjust Temperature Control to a higher setting.
	Heating element not working.	Contact Authorized Service Agent or Hatco for assistance.
	Temperature Control not working properly.	
	Voltage supplied is incorrect.	Verify correct voltage is supplied to unit. Low supply voltage will cause improper heating.
Food well too hot.	Temperature Control set too high.	Adjust Temperature Control to a lower setting.
	Temperature Control not working properly.	Contact Authorized Service Agent or Hatco for assistance.
	Voltage supplied is incorrect.	Verify correct voltage is supplied to unit. High supply voltage will cause unit to overheat and damage the unit.
No heat.	Unit turned off.	Turn on unit.
	On/Off Switch malfunctioning.	Contact Authorized Service Agent or Hatco for assistance.
	Circuit breaker tripped.	Reset circuit breaker. If circuit breaker continues to trip, contact Authorized Service Agent or Hatco for assistance.
	Temperature Control not working properly.	Contact Authorized Service Agent or Hatco for assistance.
	Heating element not working.	
Auto-Fill system not working.	Water level sensor is dirty and not "sensing" properly.	Perform the "Cleaning" procedure in the Maintenance section with special focus on the water level sensor.
	Auto-fill control board malfunctioning.	Contact Authorized Service Agent or Hatco for assistance.
	Water fill valve malfunctioning.	
Unit is overfilling with water.	Water level sensor is not "sensing" minerals in the water supply. This is typically due to reverse osmosis water or similar filtration process.	Auto-fill units supplied with water from a reverse osmosis (RO) system (or similar water filtration system) must be installed with an operating remineralization system to assure proper operation. Failure to do so may cause the unit to overflow. Damage caused by overfilling is not covered under warranty.
Food product not holding hot enough.	Well being operated as a dry unit.	Allow unit to cool and fill with the appropriate amount of water for wet operation. Wet operation promotes consistent hot food holding.
	The edges of food pans are bent allowing heat to escape.	Install pans with straight edges that seal to the heated well.

Troubleshooting Questions?

If you continue to have problems resolving an issue, please contact the nearest Authorized Hatco Service Agency or Hatco for assistance. To locate the nearest Service Agency, log onto the Hatco website at www.hatcocorp.com, select the *Support* pull-down menu, and click on "Find A Service Agent"; or contact the **Hatco Parts and Service Team** at:

Telephone: 414-671-6350

e-mail: support@hatcocorp.com

OPTIONS AND ACCESSORIES

Miscellaneous

BALLVALVE3/4 3/4" ball valve for installation on external drain line of units with a drain.

GATEVALVE3/4IN 3/4" gate valve for installation on external drain line of units with a drain.

Power Cord and Plug for Round Wells (HWB-XQT)

A power cord and plug is available for round wells as a factory installed option (120 V models only).

Adapter Bracket Kits

Adapter Bracket Kits are for installing top mount heated wells into non-combustible countertops that are 3/16"-2" thick (see "Installing Top Mount Unit into Non-Combustible Countertop" procedure in the INSTALLATION section for details).

HWB-MNT-REC 8-piece kit for rectangular wells.

HWB-MNT-RND 4-piece kit for round wells.

continued...

Mounting Kits

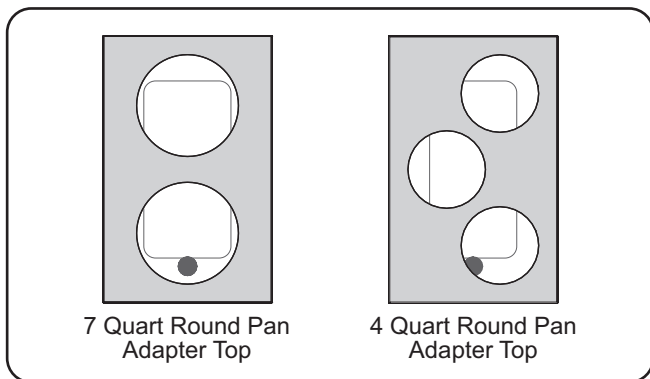
The following mounting kits are available for installing units in combustible countertops.

- HWB-FUL-MNT** Mounting kit for **HWB-FUL** Series.
- HWB-43-MNT** Mounting kit for **HWB-43** and **HWBI-43** Series.
- HWB-4Q-MNT** Mounting kit for **HWB-4QT** Series.
- HWB-7Q-MNT** Mounting kit for **HWB-7QT** Series.
- HWB-11Q-MNT** Mounting kit for **HWB-11QT** Series.

Adapter Tops

The following adapter tops are available to allow rectangular heated wells to hold round pans.

- HWB-2-7Q** Adapter to convert **HWB-FUL** Series heated well to hold two 7-quart round pans.
- HWB-2-11Q** Adapter to convert **HWB-43** Series heated well to hold two 11-quart round pans.
- HWB-3-4Q** Adapter to convert **HWB-FUL** Series heated well to hold three 4-quart round pans.

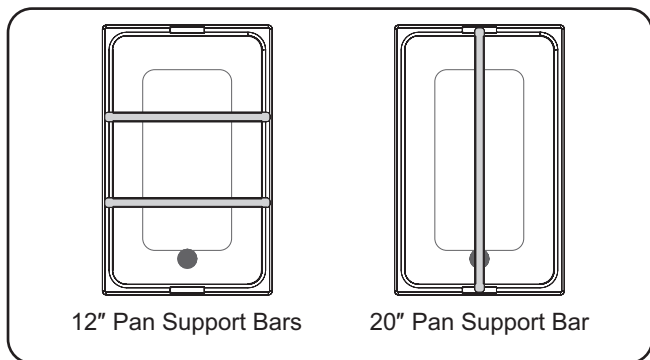


Adapter Tops

Pan Support Bars

The following pan support bars are available to divide a heated well into sections for different size pans.

- HWB12BAR** 12" (305 mm) Pan Support Bar
- HWB20BAR** 20" (508 mm) Pan Support Bar (**HWB-FUL** Series only)

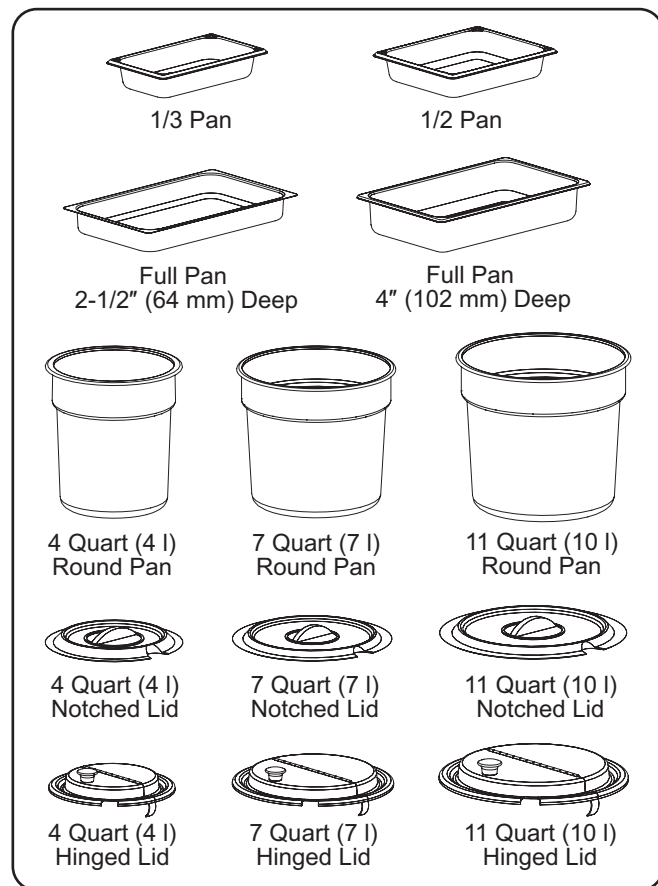


Support Bars

Food Pans

Stainless steel food pans are available in various sizes.

- ST PAN 1/3** Third-size stainless steel pan — 12-3/4"W x 6-7/8"D x 2-1/2"H (324 x 175 x 64 mm)
- ST PAN 1/2** Half-size stainless steel pan — 12-3/4"W x 10-3/8"D x 2-1/2"H (324 x 264 x 64 mm)
- ST PAN 2** Full size stainless steel pan at 2-1/2" (64 mm) deep — 12-3/4"W x 20-3/4"D (324 x 527 mm)
- ST PAN 4** Full size stainless steel pan at 4" (102 mm) deep — 12-3/4"W x 20-3/4"D (324 x 527 mm)
- 4QT-PAN** 4 quart (4 l) round pan — 6-3/4" dia x 8"H (171 x 203 mm)
- 7QT-PAN** 7 quart (7 l) round pan — 8-11/16" dia x 8"H (221 x 203 mm)
- 11QT-PAN** 11 quart (10 l) round pan — 12-1/4" dia x 8"H (311 x 203 mm)
- 4QT-LID-1** 4 quart (4 l) round, notched lid
- 7QT-LID-1** 7 quart (7 l) round, notched lid
- 11QT-LID-1** 11 quart (10 l) round, notched lid
- 4QT-LID** 4 quart (4 l) round, hinged and notched lid
- 7QT-LID** 7 quart (7 l) round, hinged and notched lid
- 11QT-LID** 11 quart (10 l) round, hinged and notched lid



Stainless Steel Food Pans

Digital Temperature Controller

A digital temperature controller is only available **as** an option for standard watt units equipped with a drain. Use the following procedures to operate a heated well equipped with the optional digital temperature controller.

Startup

1. Move the ON/OFF (I/O) switch to the ON (I) position. The indicator light on the switch glows when the unit is on.
 - The digital temperature controller will energize and the current temperature of the well or “LO” will appear on the TEMPERATURE display. “LO” indicates the well temperature is below 70°F (21°C).



BURN HAZARD: Some exterior surfaces on unit will get hot. Use caution when touching these areas.

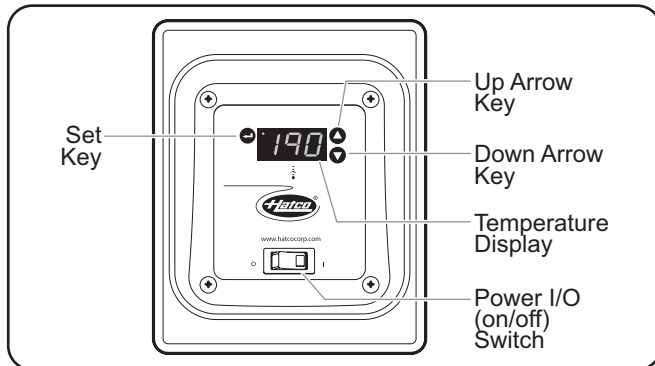
2. Press the key three times to verify the setpoint temperature. (“SP” will be displayed after the second press.)
 - The setpoint temperature will be shown for 10 seconds. After 10 seconds, the TEMPERATURE display will revert to the current temperature of the unit. To change the setpoint temperature, refer to “Changing the Setpoint Temperature” in this section.

NOTE: The digital temperature controller is factory pre-set to a setpoint temperature of 190°F (88°C) at the factory. Once the setpoint temperature is changed, the new setpoint temperature will remain in memory until it is changed again.

3. Allow unit to preheat for approximately 30 minutes.

Shutdown

1. Move the Power I/O (on/off) switch to the **O** (off) position. The indicator light on the switch will shut off.



Control Enclosure with Digital Temperature Controller

Changing the Setpoint Temperature

Use the following procedure to change the setpoint temperature on a digital temperature controller.

1. Press the key three times. The current setpoint temperature will be shown on the (temperature) display (“SP” will be displayed after the second press).
2. Press the key or key within 10 seconds to change the setpoint temperature.
3. Press the key to lock in the new setpoint temperature. The (temperature) display will go blank for two seconds to show that the new setting has been accepted.

NOTE: After 10 seconds of inactivity during the programming process, the controller will exit programming mode automatically without saving any changes.

Changing Fahrenheit and Celsius Setting

Use the following procedure to change between Fahrenheit and Celsius on the display.

1. Press the key once. Either an “F” for Fahrenheit or “C” for Celsius will be displayed.
2. Press the key or key within 10 seconds to change between “F” (Fahrenheit) and “C” (Celsius).
3. Press the key three times to lock in the new setting. The (temperature) display will go blank for two seconds to show that the new setting has been accepted.

NOTE: After 10 seconds of inactivity during the programming process, the controller will exit programming mode automatically without saving any changes.

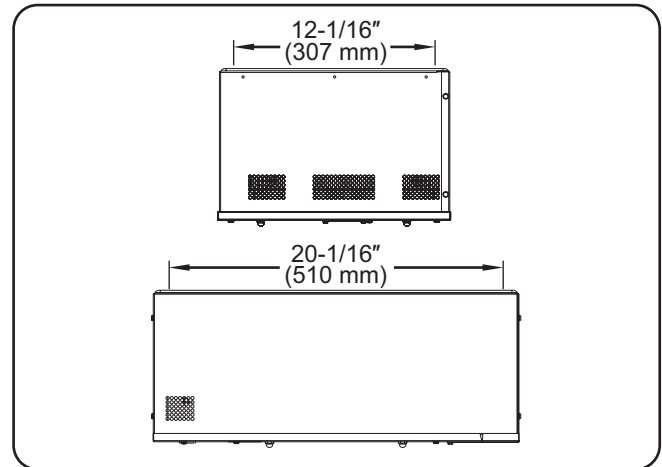
WM Control

A WM controller is available **as** an option to replace most existing controls. Not available for Auto-fill units.

Mounting Bracket for Bottom Mount Units

Mounting brackets for bottom mount units are available **as** factory-installed options (not retrofittable) for HWBIB-series. Use the following procedure to install a bottom mount unit using the mounting brackets.

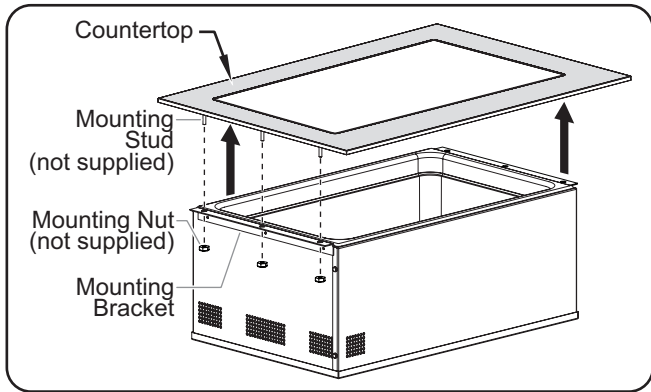
1. Cut the appropriate opening into the countertop. Use the “Inside Pan Dimensions – HWBIB Models” below **as** a guide.



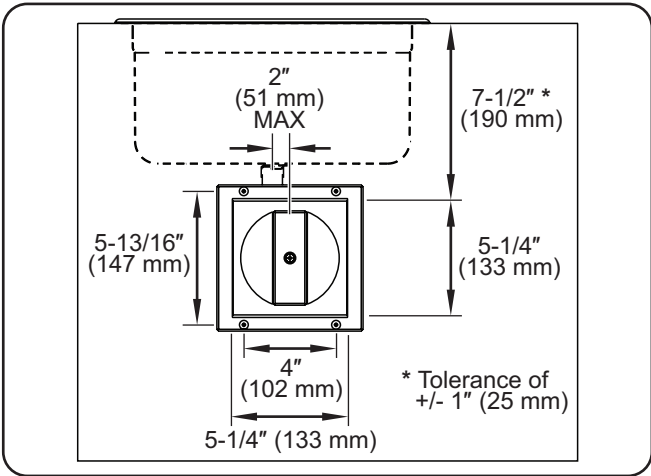
Inside Pan Dimensions – HWBIB Models

2. Cut the appropriate opening for the control enclosure. Refer to “Control Enclosure Cutout Dimensions” in the INSTALLATION section.
3. Locate mounting studs on the underside of countertop.
4. Secure the unit to the underside of the countertop.
 - Apply silicone sealant to the top edge of the well before installation.
 - Secure the unit to the countertop by using mounting nuts onto mounting studs through the three holes on each mounting bracket.

continued...



Installing Bottom Mount units using optional Mounting Brackets



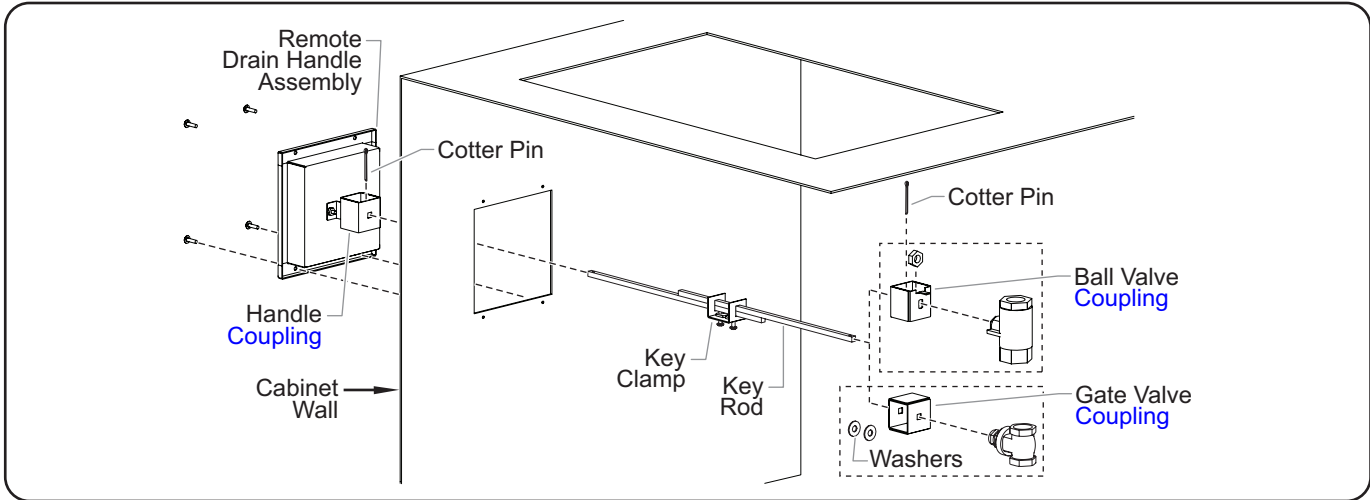
Remote Drain Handle Enclosure Cutout Dimensions

Remote Drain Handle

A remote drain handle option allows easy manual drain valve shutoff. Use the following procedure to install a cabinet mounted drain handle.

1. Mount the Drain Handle to the cabinet.
 - Refer to the "Remote Drain Handle Enclosure Cutout Dimensions" illustration for the appropriate cutout dimensions.
 - Drain handle must have a maximum 2" (51 mm) offset from drain pipe.
 - Distance from front of cabinet to center of drain must be less than 26" (660 mm).
 - Use the four screws to secure the Drain Handle enclosure to the cabinet.
2. Remove the valve handle/knob by loosening nut.
 - Units with Ball Valve: Save the nut for reuse, handle no longer needed.
 - Units with Gate Valve: Save the nut for reuse, knob no longer needed.
3. Install the valve coupling in place of removed valve handle or knob using the previously removed nut.

4. Slide the square key rod through the handle coupling (cotter pin hole end facing up).
5. Insert the cotter pin into the key rod inside the handle coupling.
6. Slide the key clamp onto the key rods.
7. Slide the top key rod into the valve coupling.
 - Units with Gate Valve: use two shim washers inside coupling.
8. Insert the cotter pin into the key rod.
9. Center the key clamp on the overlapping key rods leaving a 1/8" (3 mm) gap for front to back play. Tighten both screws.
 - The key rods can be installed at a 26" (660 mm) maximum distance from the front of the cabinet to the center of the drain.
10. Spread both cotter pin ends to secure the rods inside the couplings.



Remote Drain Handle Installation (Cabinet Cutaway)

WARRANTY, EXCLUSIVE REMEDY:

Hatco Corporation (Seller) warrants that the products it manufactures (Products) will be free from defects in materials and workmanship under normal use and service and when stored, maintained, and installed in strict accordance with factory recommendations. Seller's sole obligation to the person or entity buying the Products directly from Seller (Customer) under this warranty is the repair or replacement by Seller or a Seller-authorized service agency, at Seller's option, of any Product or any part thereof deemed defective upon Seller's examination, for a period of: (i) the Warranty Duration from the date of shipment by Seller or (ii) the Warranty Duration from the date of Product registration in accordance with Seller's written instructions, whichever is later. The "Warranty Duration" shall mean the specific periods set forth below for specific Product components, or, to the extent not listed below, eighteen (18) months. Credit for Products or parts returned with the prior written permission of Seller will be subject to the terms shown on Seller's material return authorization form. PRODUCTS OR PARTS RETURNED WITHOUT PRIOR WRITTEN PERMISSION OF SELLER WILL NOT BE ACCEPTED FOR CREDIT. Expenses incurred by Customer in returning, replacing, or removing the Products will not be reimbursed by Seller. If the defect comes under the terms of the limited warranty, the Products will be repaired or replaced and returned to the Customer and the cost of return freight will be paid by Seller. The remedy of repair or replacement provided for herein is Customer's exclusive remedy. Any improper use, alteration, repairs, tampering, misapplication, improper installation, application of improper voltage, or any other action or inaction by Customer or others (including the use of any unauthorized service agency) that in Seller's sole judgment adversely affects the Product shall void this warranty. The warranty expressly provided herein may only be asserted by Customer and may not be asserted by Customer's customers or other users of the Products; provided, however, that if Customer is an authorized equipment dealer of Seller, Customer may assign the warranty herein to Customer's customers, subject to all of the limitations of these Terms, and in such case, the warranty shall be exclusively controlled by Seller in accordance with these Terms. THIS LIMITED WARRANTY IS EXCLUSIVE AND IS IN LIEU OF ANY OTHER WARRANTY, EXPRESSED OR IMPLIED, INCLUDING BUT NOT LIMITED TO ANY IMPLIED WARRANTY OF NONINFRINGEMENT, MERCHANTABILITY, OR FITNESS FOR A PARTICULAR PURPOSE, WHICH ARE EXPRESSLY DISCLAIMED.

One (1) Year Parts and Labor PLUS One (1) Additional Year Parts-Only Warranty:

- Conveyor Toaster Elements (metal sheathed)
- Drawer Warmer Elements (metal sheathed)
- Drawer Warmer Drawer Rollers and Slides
- Food Warmer Elements (metal sheathed)
- Display Warmer Elements (metal sheathed air heating)
- Holding Cabinet Elements (metal sheathed air heating)
- Heated Well Elements — HW, HWB, and HWBI Series (metal sheathed)

Two (2) Year Parts and Labor Warranty:

- Induction Ranges
- Induction Warmers

One (1) Year Replacement Warranty:

- TPT Pop-Up Toasters

One (1) Year Parts and Labor PLUS Four (4) Years Parts-Only Warranty:

- 3CS and FR Tanks

One (1) Year Parts and Labor PLUS Nine (9) Years Parts-Only Warranty:

- Electric Booster Heater Tanks
- Gas Booster Heater Tanks

Ninety (90) Day Parts-Only Warranty:

- Replacement Parts

Notwithstanding anything herein to the contrary, the limited warranty herein will not cover components in Seller's sole discretion such as, but not limited to, the following: coated incandescent light bulbs, fluorescent lights, heat lamp bulbs, coated halogen light bulbs, halogen heat lamp bulbs, xenon light bulbs, LED light tubes, glass components, and fuses; Product failure in booster tank, fin tube heat exchanger, or other water heating equipment caused by liming, sediment buildup, chemical attack, or freezing.

WARRANTY REGISTRATION INSTRUCTIONS:

Product registration must be submitted within 90 days from the date of shipment from our factory to qualify for additional coverage. Registration may be submitted through the form on Seller's website, through the form accessible through the QR code on the Product (where available), or by calling Customer Service with the required information at **414-671-6350**.

LIMITATION OF LIABILITY:

SELLER WILL NOT BE LIABLE FOR ANY INDIRECT, INCIDENTAL, CONSEQUENTIAL, PUNITIVE, EXEMPLARY, OR SPECIAL DAMAGES, INCLUDING WITHOUT LIMITATION ANY LOST PROFITS, COSTS OF SUBSTITUTE PRODUCTS, OR LABOR COSTS ARISING FROM THE SALE, USE, OR INSTALLATION OF THE PRODUCTS, FROM THE PRODUCTS BEING INCORPORATED INTO OR BECOMING A COMPONENT OF ANOTHER PRODUCT, OR FROM ANY OTHER CAUSE WHATSOEVER, WHETHER BASED ON WARRANTY (EXPRESSED OR IMPLIED) OR OTHERWISE BASED ON CONTRACT, TORT, OR ANY OTHER THEORY OF LIABILITY, AND REGARDLESS OF ANY ADVICE OR REPRESENTATIONS THAT MAY HAVE BEEN RENDERED BY SELLER CONCERNING THE SALE, USE, OR INSTALLATION OF THE PRODUCTS, EVEN IF SELLER IS AWARE OF THE POSSIBILITY OF SUCH DAMAGES. IN NO EVENT WILL SELLER'S AGGREGATE LIABILITY ARISING OUT OF OR RELATED TO THIS AGREEMENT EXCEED THE TOTAL AMOUNTS PAID TO SELLER BY CUSTOMER FOR THE PRODUCTS WITHIN THE THREE (3) MONTH PERIOD IMMEDIATELY PRECEDING THE EVENT GIVING RISE TO CUSTOMER'S CLAIM. THE LIMITATIONS SET FORTH HEREIN REGARDING SELLER'S LIABILITY SHALL BE VALID AND ENFORCEABLE NOTWITHSTANDING A FAILURE OF ESSENTIAL PURPOSE OF THE LIMITED REMEDY SPECIFIED IN THESE TERMS.

Seller reserves the right to update these Terms at any time, at its sole discretion, which become binding upon the date of publishing. For the most current version of our full Terms of Sale, see our website at: <https://www.hatcocorp.com/terms-of-sale>

Informations Importantes pour le Propriétaire	28	Installation d'un boîtier de commande à distance	45
Introduction	28	Dimensions pour la découpe du boîtier de commande	45
Consignes de Sécurité Importantes	29	Installation d'une unité d'auto-remplissage	46
Désignation du Modèle	30	Installation d'un ensemble de vidange	47
Description du Modèle	30	Installation d'une unité avec support inférieur	47
Caractéristiques Techniques	34	Mode d'emploi	47
Configurations des fiches	34	Généralités	47
Tableau des valeurs nominales électriques	35	Maintenance	49
Caractéristiques de l'approvisionnement en eau		Généralités	49
(unités d'auto-remplissage)	37	Nettoyage quotidien	49
Dimensions	37	Retrait des dépôts de chaux et de minéraux	49
Installation	40	Guide de Dépannage	50
Généralités	40	Options et accessoires	51
Graphique des découpes pour tables de travail		Garantie Limitée	55
inflammables (pour unité/kit d'installation)	42	Autorisés Distributeurs de Pièces	Couverture Arrière
Graphique des découpes pour tables de travail			
non-inflammables	44		

INFORMATIONS IMPORTANTES POUR LE PROPRIÉTAIRE

Notez le numéro de modèle, le numéro de série, la tension et la date d'achat de l'appareil dans les espaces ci-dessous (étiquette des caractéristiques située sur le dessous de l'unité ou sur le boîtier de commande). Veuillez avoir cette information à portée de la main si vous appelez Hatco pour assistance.

Modèle No. _____

Numéro de série _____

Voltage _____

Date d'achat _____

Enregistrez votre appareil!

Remplissez la garantie en ligne pour éviter les retards pour faire jouer la garantie. Accédez au site Web Hatco www.hatcocorp.com, sélectionnez le menu déroulant *Support (Assistance)*, puis cliquez sur « Warranty » (Garantie).

Horaires
ouvrables : 7h00 à 17h00 du lundi au vendredi
Heure du Centre (CT)
(Horaires d'été—juin à septembre:
7h00 à 17h00 du lundi au jeudi
7h00 à 16h00 le vendredi)

Téléphone: +1-414-671-6350

Courriel: support@hatcocorp.com



Service d'assistance et de pièces de rechange disponible 7j/7, 24h/24 aux États-Unis et au Canada en composant le +1-414-671-6350.

Des renseignements supplémentaires sont disponibles sur notre site Web à www.hatcocorp.com.

INTRODUCTION

Les puits chauffants intégrés d'Hatco sont spécialement conçus pour conserver des aliments chauds à des températures sans danger pour le service. Conçus pour des applications à sec ou avec de l'eau, les puits sont disponibles dans une gamme de combinaisons de bacs et de casseroles, tous chauffés grâce à un élément de chauffage durable garanti 2 ans. La chaleur est distribuée de manière égale à travers un élément en acier inoxydable épais pour s'assurer que la nourriture reste chaude. Ce modèle est facile d'entretien et offre des performances durables. L'unité standard est homologuée par l'Underwriters Laboratory (UL) et est équipée d'un boîtier de commande à distance. Une unité en option, reconnue par l'UL, avec un interrupteur à distance, est également disponible.

Les unités sont équipées d'un clip de fixation EZ lock (sauf pour les modèles avec un support inférieur isolé). La garantie d'un an pour les pièces ainsi que pour la main d'œuvre sur place est standard.

Les puits chauffants intégrés d'Hatco sont des produits qui ont bénéficié de recherche extensive et d'essais sur le terrain. Les matériaux utilisés ont été sélectionnés pour une durabilité maximale, une apparence séduisante et des performances optimales. Chaque unité est inspectée et testée minutieusement avant d'être expédiée.

Ce manuel fournit les instructions d'installation, de sécurité et de fonctionnement pour les puits chauffants intégrés modulaires. Hatco recommande à l'utilisateur de lire les instructions d'installation, d'utilisation et de sécurité incluses dans ce manuel avant d'installer ou d'utiliser les puits chauffants intégrés.

AVERTISSEMENT

AVERTISSEMENT indique une situation dangereuse qui, si elle n'est pas évitée, peut provoquer la mort ou des blessures graves.

ATTENTION

ATTENTION indique une situation dangereuse qui, si elle n'est pas évitée, peut provoquer des blessures légères ou moyennes.

AVIS

AVIS est utilisé pour des questions sans rapport avec des blessures corporelles.



Lisez les consignes de sécurité importantes suivantes avant d'utiliser cet équipement pour éviter toute blessure grave ou la mort et pour éviter d'endommager l'équipement ou la propriété.

⚠ AVERTISSEMENT

DANGER DE DÉCHARGE ÉLECTRIQUE:

- L'unité doit être installée par un électricien qualifié. L'installation doit être conforme à l'ensemble des réglementations électriques locales. Une installation par un personnel non qualifié provoquera une annulation de la garantie de l'appareil. Cela peut également entraîner un choc électrique ou une brûlure et endommager l'unité et/ou les zones environnantes.
- Mettez l'interrupteur sur « ARRÊT », débranchez le cordon d'alimentation/coupez le courant au disjoncteur, et laissez refroidir l'unité avant d'effectuer toute opération de nettoyage, de réglage ou d'entretien.
- NE PAS immerger l'appareil ni le saturer d'eau. L'appareil n'est pas étanche à l'eau. Ne pas le faire fonctionner s'il a été immergé ou saturé d'eau.
- L'appareil n'est pas à l'épreuve des intempéries. Placer l'appareil à l'intérieur à une température ambiante de 21°C minimum.
- Le panneau de contrôle intégré à distance peut être installé sur un mur vertical en position verticale. Installer le panneau de contrôle en position horizontale peut conduire à une accumulation de liquides et à un choc électrique.
- La tension d'opération de la vanne d'eau du boîtier de contrôle à distance dépasse 50 V (tension très faible). Le boîtier est marqué du symbole suivant, signifiant un danger: ⚡
- N'utilisez pas l'unité pour faire fondre ou conserver de la glace. Le non-respect de cette consigne peut causer de la condensation, créer un danger électrique et causer des blessures corporelles et/ou endommager l'unité. Les dommages causés par la condensation ne sont pas couverts par la garantie.
- Pour les unités sans fonction d'auto-remplissage, éteignez l'unité lorsque vous la remplissez avec de l'eau et essayez d'éviter les projections.
- Ne pas nettoyer l'appareil lorsqu'il est sous tension.
- L'appareil n'est pas résistant aux projections. N'utilisez pas de pulvérisation de jets nettoyants pour nettoyer l'appareil.
- Cette unité doit être entretenue uniquement par des personnes qualifiées. Un entretien réalisé par des personnes non-qualifiées peut entraîner des décharges électriques ou provoquer des brûlures.
- Utilisez uniquement des pièces de rechange d'origine Hatco lorsque l'entretien est nécessaire. Utilisez des pièces détachées Hatco authentiques sous peine d'annuler toutes les garanties et d'exposer l'utilisateur à des tensions électriques dangereuses pouvant entraîner une électrocution ou des brûlures. Les pièces de rechange authentiques Hatco sont spécifiées pour fonctionner en toute sécurité dans les environnements dans lesquels elles sont utilisées. Certaines pièces de rechange génériques ou d'après-vente n'ont pas les caractéristiques qui leur permettent d'opérer en toute sécurité dans les équipements Hatco.

⚠ AVERTISSEMENT

Assurez-vous que la nourriture a été chauffée à une température sans danger pour les aliments avant de les placer dans l'unité. Le non-respect de cette consigne peut entraîner des risques graves pour la santé. Cette unité n'est destinée qu'à maintenir les aliments préchauffés au chaud.

DANGER D'INCENDIE:

- Installez l'unité avec un minimum de 89 mm (3-1/2") d'espace entre le dessous de l'unité et toutes les surfaces inflammables afin d'éviter toute combustion.
- L'unité doit être installée en utilisant un joint mastic en bandes entre l'unité et la surface d'installation, conformément aux instructions d'installation (reportez-vous à la section Installation de ce manuel).
- N'utilisez pas de nettoyant inflammable pour nettoyer cette unité.

Hatco Corporation n'est pas responsable de la température réelle à laquelle les aliments sont servis. Il est de la responsabilité de l'utilisateur de s'assurer que la nourriture est conservée et servie à une température sans danger.

Cet appareil ne contient aucune pièce réparable par l'utilisateur. Si cet appareil doit être réparé, contacter un réparateur Hatco agréé ou le Service après-vente Hatco au +1 414-671-6350.

⚠ ATTENTION

DANGER DE BRÛLURE :

- Certaines surfaces extérieures de l'appareil deviennent chaudes. Toucher ces zones de l'appareil avec précaution.
- L'eau de vidange peut atteindre des températures allant jusqu'à 93°C (200°F). Utilisez les matériaux de plomberie appropriés lors de l'installation du système de vidange.

Placer l'appareil sur un plan de travail de hauteur correcte à un endroit qui convient pour son utilisation. Le support doit être de niveau pour éviter toute chute accidentelle du grille-pain ou de son contenu et suffisamment solide pour résister au poids de l'appareil et de son contenu.

Les unités avec auto-remplissage doivent être installées avec une protection anti-reflux adaptée et doivent être conformes aux lois nationales en vigueur.

AVIS

Les appareils dotés du système d'autoremplissage approvisionnés en eau par un système d'osmose inverse (ou d'un système de filtration d'eau similaire) doivent être installés avec un système de reminéralisation pour garantir un bon fonctionnement. Si vous ne respectez pas ces consignes, l'appareil pourrait trop se remplir. Les dommages causés par le surremplissage ne sont pas couverts par la garantie.

Les unités ne fonctionnent qu'à la tension spécifiée. Reportez-vous à l'étiquette des caractéristiques des exigences électriques avant de commencer l'installation.

Les graisses standard et approuvées utilisées lors de la fabrication peuvent provoquer des fumées au cours du démarrage initial pendant 30 minutes. Il s'agit d'un état temporaire. Utilisez l'appareil sans produit alimentaire jusqu'à ce que la fumée disparaisse.

AVIS

Laissez l'unité refroidir jusqu'à ce qu'elle ait atteint la température ambiante avant de passer d'une utilisation à eau vers une utilisation à sec et vice versa. Laisser l'unité fonctionner « à sec » ou ajouter de l'eau lorsqu'elle est en position « à eau » endommagera l'unité.

Ne pas utiliser l'appareil à un endroit exposé à des températures excessives ou de la graisse de grils, friteuses, etc. Les températures excessives risquent d'abîmer l'appareil.

Les panneaux de commande montés à distance doivent être installés à une distance d'au moins 152 mm (6") de l'unité (et ne pas dépasser 1 829 mm [72"]). Une installation plus rapprochée peut entraîner un dommage thermique sur le système électrique du panneau de commande.

Les dommages à toute partie de la table de travail pouvant être causés par la chaleur générée par l'équipement de Hatco ne sont pas couverts par la garantie de Hatco. Contactez le fabricant de la table de travail pour obtenir des informations concernant ce problème.

AVIS

Utiliser seulement des nettoyants non abrasifs et des chiffons doux. Les chiffons et nettoyant abrasifs pourraient érafler la finition de l'unité, entachant son apparence et la rendant susceptible à l'accumulation de saleté.

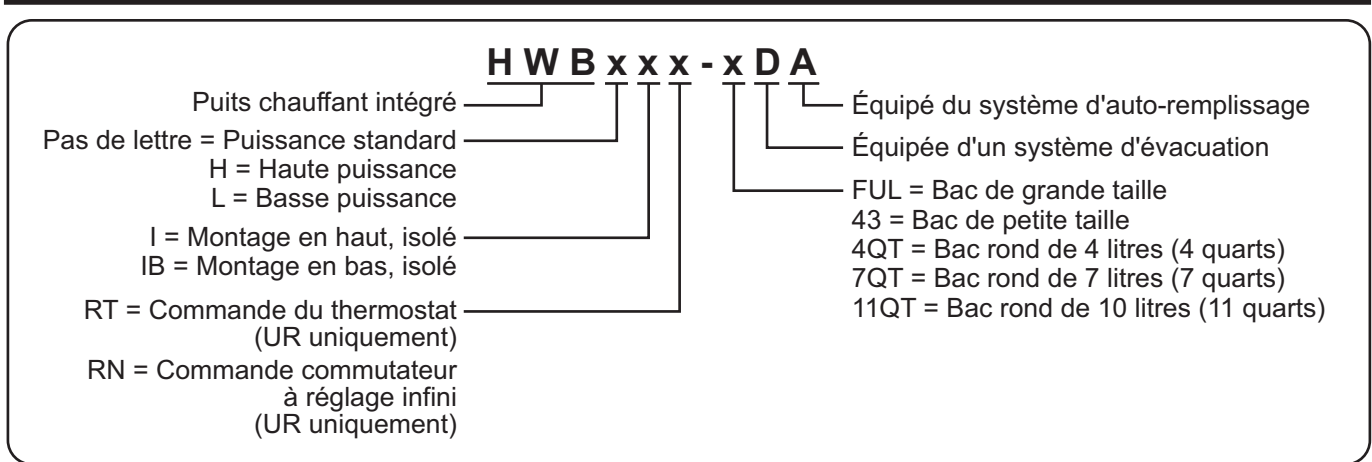
N'utilisez pas de paille de fer pour le nettoyage. La paille de fer raye les finitions.

Ne pas utiliser de produits chimiques puissants tels que de l'eau de Javel, des nettoyants pour four pour nettoyer cet appareil. Les dommages causés par des produits chimiques ne sont pas couverts par la garantie.

Laissez l'unité refroidir jusqu'à ce qu'elle ait atteint la température ambiante avant de passer d'une utilisation à eau vers une utilisation à sec et vice versa. Laisser l'unité fonctionner « à sec » ou ajouter de l'eau lorsqu'elle est en position « à eau » endommagera l'unité.

Les joints d'étanchéité doivent pouvoir supporter une température de 260°C (500°F) minimum. Les conduites d'arrivée d'eau doivent être conformes aux normes FDA relatives à l'eau potable.

DÉSIGNATION DU MODÈLE



DESCRIPTION DU MODÈLE

Tous les modèles

Toutes les unités de puits chauffants intégrés sont fiables et polyvalentes. Les unités disposent d'un boîtier en acier inoxydable et en acier aluminé avec un élément chauffant possédant une gaine de métal qui est disponible en puissance basse, standard ou grande.

Les puits chauffants peuvent être fournis avec l'élément chauffant dans l'un des deux modèles suivants. Le premier est enregistré auprès de l'UL et possède une commande thermostatique et un interrupteur Marche/Arrêt qui se situe sur le boîtier de commande à distance. Le boîtier de commande est connecté à l'unité par un ensemble de conduits flexibles de 914 mm (36") (la connexion par conduit flexible de 1 829 mm [72"] est en option, l'adaptation n'est pas possible).

Le second possède une option d'interrupteur à distance qui est reconnue par l'UL (UR) avec soit une commande thermostatique et un interrupteur Marche/Arrêt, soit une commande pour un commutateur à réglage infini avec témoin lumineux. La commande thermostatique et l'interrupteur Marche/Arrêt sont connectés à l'unité par un ensemble de conduits flexibles de 914 mm (36") (la con on par conduit flexible de 1 829 mm [72"] est en option, l'adaptation n'est pas possible).

Les puits chauffants intégrés peuvent être branchés directement sur une source d'alimentation pour une zone de service sûre et sans fil. Des unités câblées sont également disponibles. Le matériel de fixation EZ lock permet de monter les puits chauffants sur des tables de travail non-inflammables et inflammables en utilisant un kit d'installation Hatco en option. Les puits chauffants intégrés sont conçus, fabriqués et testés pour conserver les aliments à une température sans danger.

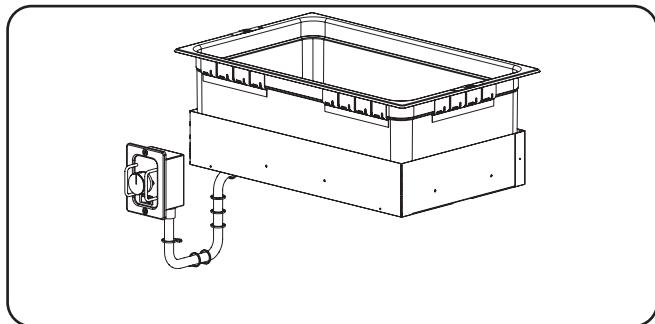
Modèles HWB-FUL

Les modèles HWB-FUL peuvent contenir toute une gamme de combinaisons de bacs, listée ci-dessous. Ces modèles sont conçus pour être montés sur la face supérieure d'une table de travail non-inflammable ou sur un pont avec une table de travail inflammable en utilisant le kit d'installation pour table de travail approprié.

- Un bac de grande taille
- Trois bacs de petite taille avec des barres d'adaptation.
- Deux bacs de taille moyenne avec des barres d'adaptation.
- Deux bacs ronds 7 litres (7 q) avec un ustensile adaptable.
- Trois bacs ronds 4 litres (4 q) avec un ustensile adaptable.

Un boîtier de commande à distance avec un thermomètre numérique et un interrupteur Marche/Arrêt est disponible en option.

Les bacs, les couvercles, les barres d'adaptation et les ustensiles adaptables sont vendus séparément (consultez la section OPTIONS ET ACCESSOIRES pour de plus amples détails).



Modèles HWB-FUL et HWB-FULD

Modèles HWB-FULD

Les modèles HWB-FULD ont les mêmes capacités que les modèles HWB-FUL mais sont équipés d'un système de vidange. Le système de vidange comprend un raccord de vidange NPT de 1,9 cm (3/4") et une crépine plate qui permettent aux bacs de rester à des températures constantes. Ces modèles sont conçus pour être montés sur la face supérieure d'une table de travail non-inflammable ou sur un pont avec une table de travail inflammable en utilisant le kit d'installation pour table de travail approprié.

Modèles HWB-FULDA

Les modèles HWB-FULDA ont les mêmes capacités que les modèles HWB-FULD, mais ils sont dotés de la fonction d'auto-remplissage. La fonction d'auto-remplissage remplit et maintient automatiquement l'eau à un niveau adéquat dans le puits. Ces modèles sont conçus pour être montés sur la face supérieure d'une table de travail non-inflammable ou sur un pont avec une table de travail inflammable en utilisant le kit d'installation pour table de travail approprié.

Modèles HWBI-FUL

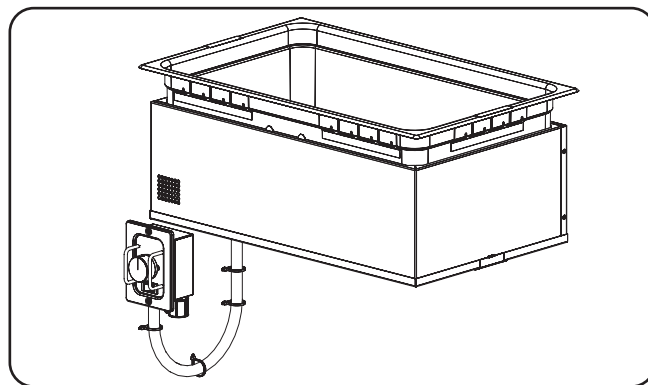
Les modèles HWBI-FUL sont identiques aux modèles HWB-FUL sauf que les unités sont entièrement isolées. Les unités isolées gardent l'énergie et permettent de conserver des températures de chauffage constantes. Ces modèles sont conçus pour être montés sur la face supérieure d'une table de travail non-inflammable ou sur un pont avec une table de travail inflammable en utilisant le kit d'installation pour table de travail approprié.

Modèles HWBI-FULD

Les modèles HWBI-FULD sont des versions dont le dessus est isolé, qui ont les mêmes capacités que les HWBI-FUL mais qui possèdent un système de vidange. Le système de vidange comprend un raccord de vidange NPT de 1,9 cm (3/4") et une crépine plate qui permettent aux bacs de rester à des températures constantes. Ces modèles sont conçus pour être montés sur la face supérieure d'une table de travail non-inflammable ou sur un pont avec une table de travail inflammable en utilisant le kit d'installation pour table de travail approprié.

Modèles HWBI-FULDA

Les modèles HWBI-FULDA sont des versions dont le dessus est isolé, qui ont les mêmes capacités que les HWBI-FULD mais qui possèdent la fonction d'auto-remplissage en option. La fonction d'auto-remplissage remplit et maintient automatiquement l'eau à un niveau adéquat dans le puits. Ces modèles sont conçus pour être montés sur la face supérieure d'une table de travail non-inflammable ou sur un pont avec une table de travail inflammable en utilisant le kit d'installation pour table de travail approprié.



Modèles HWBI-FUL et HWBI-FULD

Modèles **HWBIB-FUL**

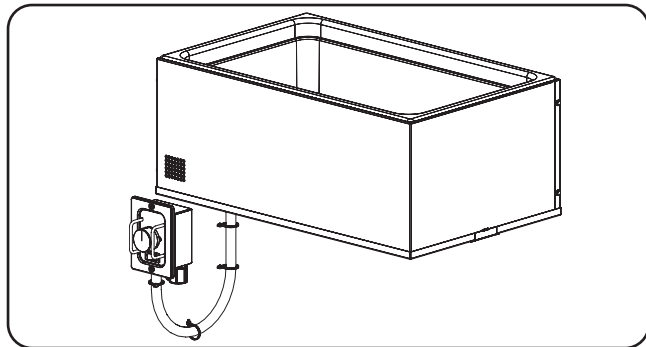
Les modèles **HWBIB-FUL** sont une version entièrement isolée des modèles **HWB-FUL**. Ces modèles sont conçus pour être montés sur la face inférieure d'une table de travail non-inflammable.

Modèles **HWBIB-FULD**

Les modèles **HWBIB-FULD** sont des versions qui ont les mêmes capacités que les **HWBIB-FUL**, dont le dessous est isolé, mais qui possèdent un système de vidange. Le système de vidange comprend un raccord de vidange NPT de 1,9 cm (3/4") et une crépine plate qui permettent aux bacs de rester à des températures constantes. Ces modèles sont conçus pour être montés sur la face inférieure d'une table de travail non-inflammable.

Modèles **HWBIB-FULDA**

Les modèles **HWBIB-FULDA** sont des versions qui ont les mêmes capacités que les **HWBIB-FULD**, dont le dessous est isolé, mais qui possède la fonction d'auto-remplissage en option. La fonction d'auto-remplissage remplit et maintient automatiquement l'eau à un niveau adéquat dans le puits. Ces modèles sont conçus pour être montés sur la face inférieure d'une table de travail non-inflammable.



Modèles **HWBIB-FUL** and **HWBIB-FULD**

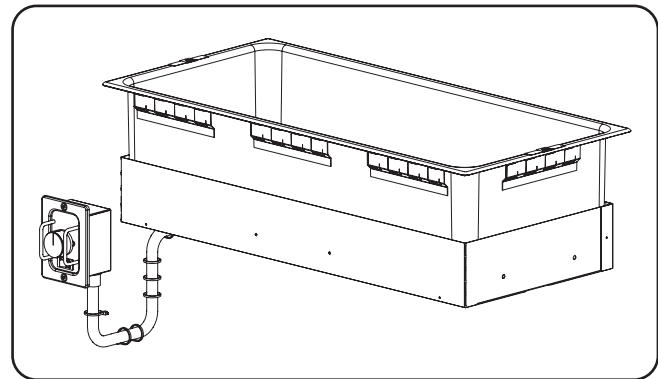
Modèles **HWB-43**

Les modèles **HWB-43** peuvent contenir toute une gamme de combinaisons de bacs, listée ci-dessous. Ces modèles sont conçus pour être montés sur la face supérieure d'une table de travail non-inflammable ou sur un pont avec une table de travail inflammable en utilisant le kit d'installation pour table de travail approprié.

- Un bac de grande taille et un bac de petite taille avec des barres d'adaptation.
- Quatre bacs de petite taille avec des barres d'adaptation.
- Deux bacs de taille moyenne et un bac de petite taille avec des barres d'adaptation.
- Deux bacs ronds 10 litres (11 quarts) avec un ustensile adaptable.

Un boîtier de commande à distance avec un thermomètre numérique et un interrupteur Marche/Arrêt est disponible en option.

Les bacs, les couvercles, les barres d'adaptation et les ustensiles adaptables sont vendus séparément (consultez la section **OPTIONS ET ACCESSOIRES** pour de plus amples détails).



Modèles **HWB-43** et **HWB-43D**

Modèles **HWB-43D**

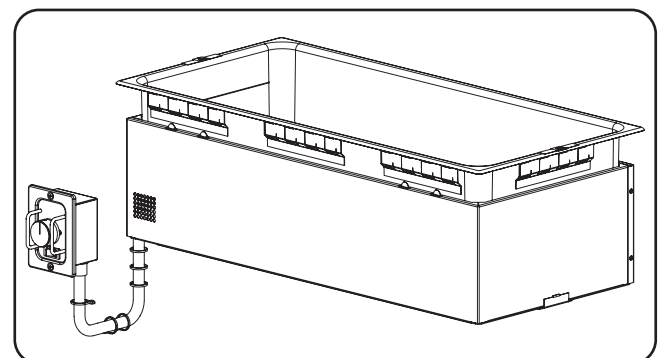
Les modèles **HWB-43D** ont les mêmes capacités que les modèles **HWB-43**, mais ils sont équipés d'un système de vidange. Le système de vidange comprend un raccord de vidange NPT de 1,9 cm (3/4") et une crépine plate qui permettent aux bacs de rester à des températures constantes. Ces modèles sont conçus pour être montés sur la face supérieure d'une table de travail non-inflammable ou sur un pont avec une table de travail inflammable en utilisant le kit d'installation pour table de travail approprié.

Modèles **HWB-43DA**

Les modèles **HWB-43DA** ont les mêmes capacités que les modèles **HWB-43D** mais possèdent la fonction d'auto-remplissage en option. La fonction d'auto-remplissage remplit et maintient automatiquement l'eau à un niveau adéquat dans le puits. Ces modèles sont conçus pour être montés sur la face supérieure d'une table de travail non-inflammable ou sur un pont avec une table de travail inflammable en utilisant le kit d'installation pour table de travail approprié.

Modèles **HWBI-43**

Les modèles **HWBI-43** sont identiques aux modèles **HWB-43** sauf que les unités sont entièrement isolées. Les unités isolées gardent l'énergie et permettent de conserver des températures de chauffage constantes. Ces modèles sont conçus pour être montés sur la face supérieure d'une table de travail non-inflammable ou sur un pont avec une table de travail inflammable en utilisant le kit d'installation pour table de travail approprié.



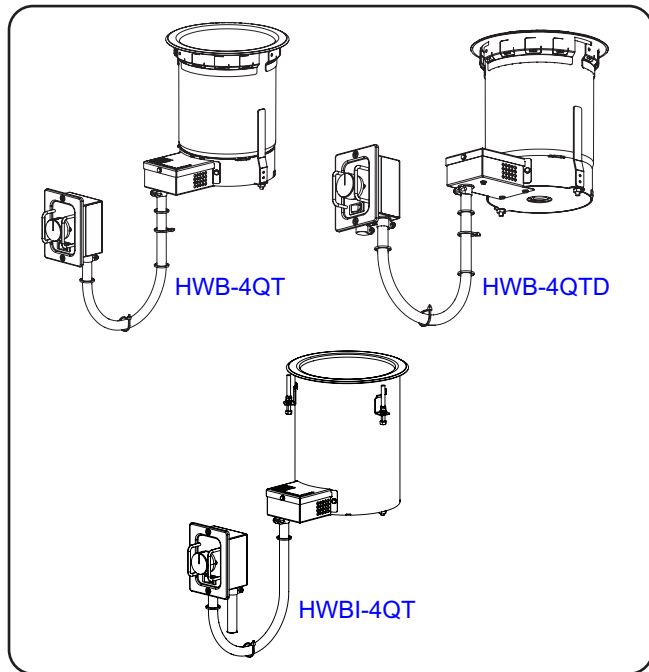
Modèles **HWBI-43** et **HWBI-43D**

Modèles HWBI-43D

Les modèles HWBI-43D sont des versions dont le dessus est isolé, qui ont les mêmes capacités que les HWBI-43 mais qui possèdent un système de vidange. Le système de vidange comprend un raccord de vidange NPT de 1,9 cm (3/4") et une crépine plate qui permettent aux bacs de rester à des températures constantes. Ces modèles sont conçus pour être montés sur la face supérieure d'une table de travail non-inflammable ou sur un pont avec une table de travail inflammable en utilisant le kit d'installation pour table de travail approprié.

Modèles HWB-4QT

Les modèles HWB-4QT sont des puits chauffants ronds qui peuvent contenir un bac de 4 litres (4 quarts). Ces modèles sont conçus pour être montés sur la face supérieure d'une table de travail inflammable en utilisant le kit d'installation pour table de travail approprié.



Modèles HWB-4QT et HWB-4QTD

Modèles HWB-4QTD

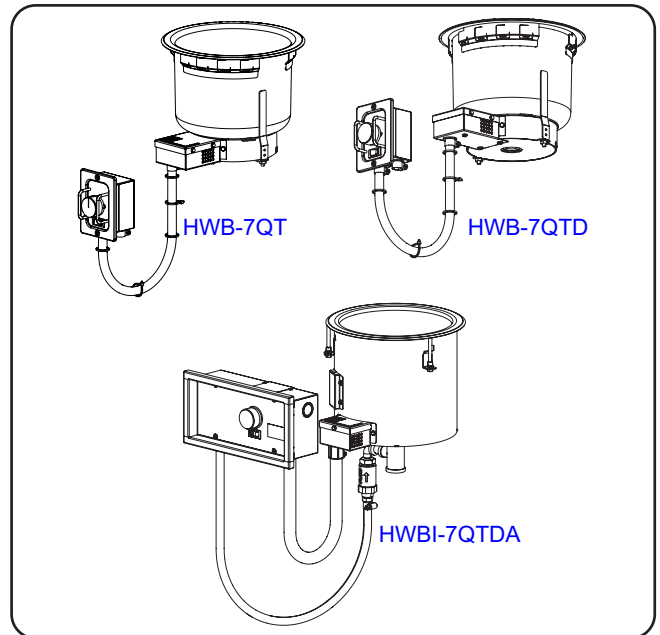
Les modèles HWB-4QTD sont identiques aux HWB-4QT, mais sont équipés d'un système de vidange. Le système de vidange comprend un raccord de vidange NPT de 1,9 cm (3/4") et une crépine plate qui permettent aux bacs de rester à des températures constantes. Ces modèles sont conçus pour être montés sur la face supérieure d'une table de travail non-inflammable ou sur un pont avec une table de travail inflammable en utilisant le kit d'installation pour table de travail approprié.

Modèles HWB-7QT

Les modèles HWB-7QT sont des puits chauffants ronds qui peuvent contenir un bac de 7 litres (7 quarts). Ces modèles sont conçus pour être montés sur la face supérieure d'une table de travail inflammable en utilisant le kit d'installation pour table de travail approprié.

Modèles HWB-7QTD

Les modèles HWB-7QTD sont identiques aux HWB-7QT mais sont équipés d'un système de vidange. Le système de vidange comprend un raccord de vidange NPT de 1,9 cm (3/4") et une crépine plate qui permettent aux bacs de rester à des températures constantes. Ces modèles sont conçus pour être montés sur la face supérieure d'une table de travail non-inflammable ou sur un pont avec une table de travail inflammable en utilisant le kit d'installation pour table de travail approprié.



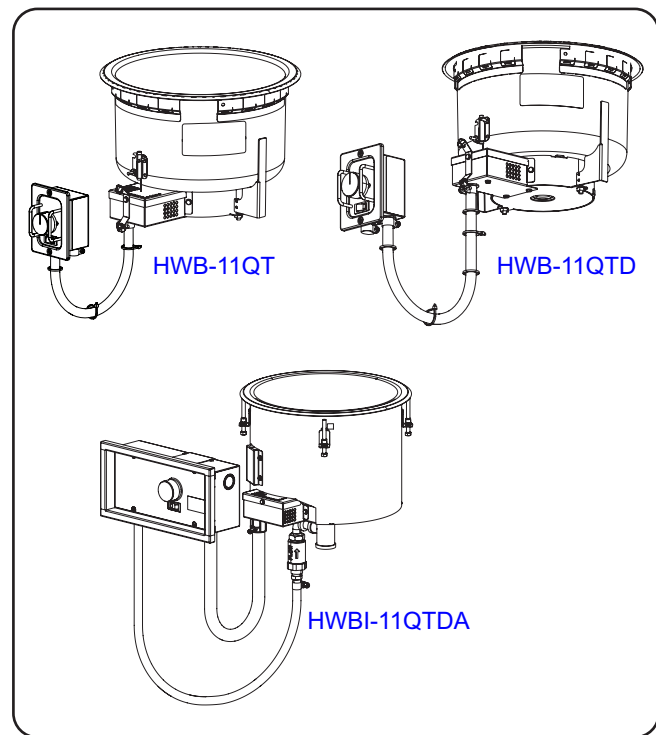
Modèles HWB-7QT et HWB-7QTD

Modèles HWB-11QT

Les modèles HWB-11QT sont des puits chauffants ronds qui peuvent contenir un bac de 10 litres (11 quarts). Ces modèles sont conçus pour être montés sur la face supérieure d'une table de travail non-inflammable ou sur un pont avec une table de travail inflammable en utilisant le kit d'installation pour table de travail approprié.

HWB-11QTD Models

Les modèles HWB-11QTD sont identiques aux HWB-11QT mais sont équipés d'un système de vidange. Le système de vidange comprend un raccord de vidange NPT de 1,9 cm (3/4") et une crépine plate qui permettent aux bacs de rester à des températures constantes. Ces modèles sont conçus pour être montés sur la face supérieure d'une table de travail non-inflammable ou sur un pont avec une table de travail inflammable en utilisant le kit d'installation pour table de travail approprié.



Modèles HWB-11QT et HWB-11QTD

CARACTÉRISTIQUES TECHNIQUES

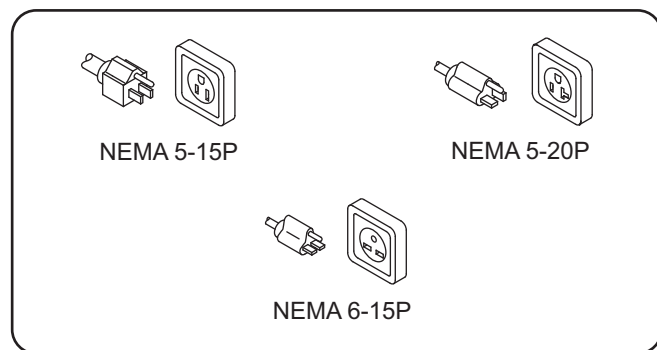
Configurations des fiches

Certaines unités sont initialement fournies par l'usine avec un câble et une fiche électriques préinstallés. Les fiches fournies correspondent à leur application.

⚠ AVERTISSEMENT

DANGER DE DÉCHARGE ÉLECTRIQUE: Pour les unités câblées, branchez l'unité à une prise correctement reliée à la terre et possédant le voltage, la dimension et la configuration adéquats. Si la fiche et la prise ne correspondent pas, contactez un électricien qualifié afin de déterminer et d'installer une prise électrique possédant la taille et la tension adéquate.

NOTA: L'étiquette des caractéristiques est située sur le dessous de l'unité ou sur le boîtier de commande. Veuillez vous reporter à l'étiquette du numéro de série et des données électriques de l'appareil.



Configurations des fiches

NOTA: Prise non fournie par Hatco.

Tableau des valeurs nominales électriques — Tous les modèles **HWB-FUL**

Modèle	Tension	Intensité	Amps	Phase	Configuration de Fiches	Poids d'embarquement
HWBLXX-FUL HWBLXX-FULD	120	750	6.3	1	NEMA 5-15P ou Câblé	10 kg (21 lbs.)
HWBLXX-FULDA	120	765	6.4	1	NEMA 5-15P ou Câblé	10 kg (21 lbs.)
HWBxx-FUL HWBxx-FULD	120	1200	10.0	1	NEMA 5-15P ou Câblé	10 kg (21 lbs.)
	208		5.8		NEMA 6-15P ou Câblé	
	240		5.0			
HWBxx-FULDA	120	1215	10.1	1	NEMA 5-15P ou Câblé	10 kg (21 lbs.)
	208		5.9		NEMA 6-15P ou Câblé	
	240		5.1			
HWBHxx-FUL HWBHxx-FULD	120	1650	13.8	1	NEMA 5-20P ou Câblé	10 kg (21 lbs.)
	208		7.9		NEMA 6-15P ou Câblé	
	240		6.9			
HWBHxx-FULDA	120	1665	13.9	1	NEMA 5-20P ou Câblé	10 kg (21 lbs.)
	208		8.0		NEMA 6-15P ou Câblé	
	240		7.0			

Tableau des valeurs nominales électriques — Tous les modèles **HWB-43**

Modèle	Tension	Intensité	Amps	Phase	Poids d'embarquement*
HWBLXX-43	120	750	6.3	1	14 kg (30 lbs.)
HWBLXX-43DA	120	750	6.3	1	14 kg (30 lbs.)
HWBXX-43	120	1200	10.0	1	14 kg (30 lbs.)
	208		5.8		
	240		5.0		
HWBXX-43DA	120	1215	10.1	1	14 kg (30 lbs.)
	208		5.8		
	240		5.1		
HWBHXX-43	120	1650	13.8	1	14 kg (30 lbs.)
	208		7.9		
	240		6.9		
HWBHXX-43DA	120	1655	13.9	1	14 kg (30 lbs.)
	208		8.0		
	240		6.9		

* Ajoutez 3 kg (6 lb.) au poids de livraison pour les unités isolées. Ajoutez 1 kg (3 lb.) au poids de livraison pour les unités possédant un système de vidange. Ajoutez 1 kg (3 lb.) au poids de livraison pour les unités possédant un système d'auto-remplissage.

NOTA: Le poids d'embarquement comprend l'emballage. Les poids d'expédition sont estimés.

Tableau des valeurs nominales électriques — Tous les modèles HWB-4QT

Modèle	Tension	Intensité	Amps	Phase	Configuration de Fiches	Poids d'embarquement‡
HWBxx-4QT HWBxx-4QTD	120	500	4.2	1	NEMA 5-15P ou Câblé	4 kg (9 lbs.)
	208	536	2.6		Câblé	
	240	600	2.5			
HWBHxx-4QT HWBHxx-4QTD	120	800	6.7	1	NEMA 5-15P ou Câblé	4 kg (9 lbs.)
	208	715	3.4		Câblé	
	240	800	3.3			

Tableau des valeurs nominales électriques — Tous les modèles HWB-7QT

Modèle	Tension	Intensité	Amps	Phase	Configuration de Fiches	Poids d'embarquement‡
HWBxx-7QT HWBxx-7QTD	120	500	4.2	1	NEMA 5-15P ou Câblé	5 kg (10 lbs.)
	208	536	2.6		Câblé	
	240	600	2.5			
HWBxx-7QTDA	120	515	4.3	1	NEMA 5-15P ou Câblé	5 kg (10 lbs.)
	208	551	2.6		Câblé	
	240	615	2.6			
HWBHxx-7QT HWBHxx-7QTD	120	800	6.7	1	NEMA 5-15P ou Câblé	5 kg (10 lbs.)
	208	715	3.4		Câblé	
	240	800	3.3			
HWBHxx-7QTDA	120	815	6.8	1	NEMA 5-15P ou Câblé	5 kg (10 lbs.)
	208	730	3.5		Câblé	
	240	815	3.4			

Tableau des valeurs nominales électriques — Tous les modèles HWB-11QT

Modèle	Tension	Intensité	Amps	Phase	Configuration de Fiches	Poids d'embarquement‡
HWBxx-11QT HWBxx-11QTD	120	500	4.2	1	NEMA 5-15P ou Câblé	5 kg (11 lbs.)
	208	536	2.6		Câblé	
	240	600	2.5			
HWBXX-11QTDA	120	515	4.3	1	NEMA 5-15P ou Câblé	5 kg (11 lbs.)
	208	551	2.6		Câblé	
	240	615	2.6			
HWBHxx-11QT HWBHxx-11QTD	120	800	6.7	1	NEMA 5-15P ou Câblé	5 kg (11 lbs.)
	208	715	3.4		Câblé	
	240	800	3.3			
HWBHXX-11QTDA	120	815	6.8	1	NEMA 5-15P ou Câblé	5 kg (11 lbs.)
	208	730	3.5		Câblé	
	240	815	3.4			

‡ Ajoutez 1 kg (3 lb.) au poids de livraison pour les unités possédant un système de vidange.

NOTA: Le poids d'embarquement comprend l'emballage. Les poids d'expédition sont estimés.

Caractéristiques de l’approvisionnement en eau (Unités avec auto-remplissage)

	Minimum	Maximum
Pression de l’eau	172 kPa (25 psi)	689 kPa (100 psi)
Température de l’eau	15°C (60°F)	43°C (110°F)

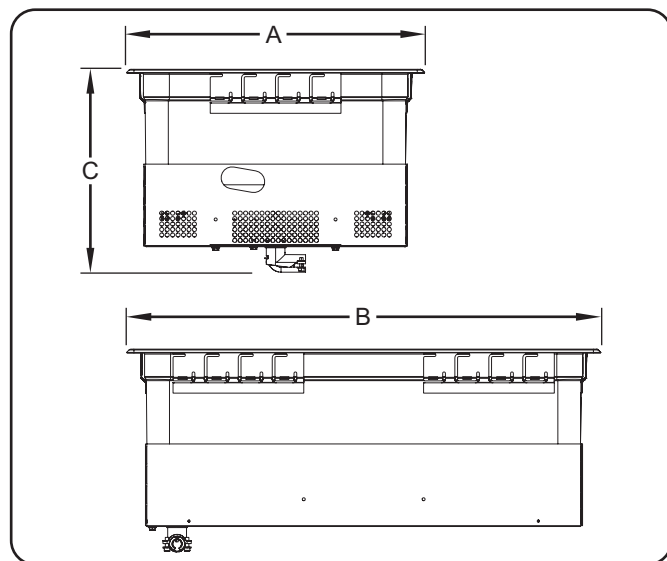
AVIS

Les appareils dotés du système d’autoremplissage approvisionnés en eau par un système d’osmose inverse (ou d’un système de filtration d’eau similaire) doivent être installés avec un système de reminéralisation pour garantir un bon fonctionnement. Si vous ne respectez pas ces consignes, l’appareil pourrait trop se remplir. Les dommages causés par le surremplissage ne sont pas couverts par la garantie.

Dimensions — Modèles **HWB-FUL** (non isolés, montage en haut)

Modèles:		
HWB-FUL	HWBRN-FUL	HWBRT-FUL
HWB-FULD	HWBRN-FULD	HWBRT-FULD
HWBL-FUL	HWBLRN-FUL	HWBLRT-FUL
HWBL-FULD	HWBLRN-FULD	HWBLRT-FULD
HWBH-FUL	HWBHRN-FUL	HWBHRT-FUL
HWBH-FULD	HWBHRN-FULD	HWBHRT-FULD
Largeur (A)	Profondeur (B)	Hauteur (C)†
347 mm (13-3/4")	553 mm (21-3/4")	237 mm (9-3/8")

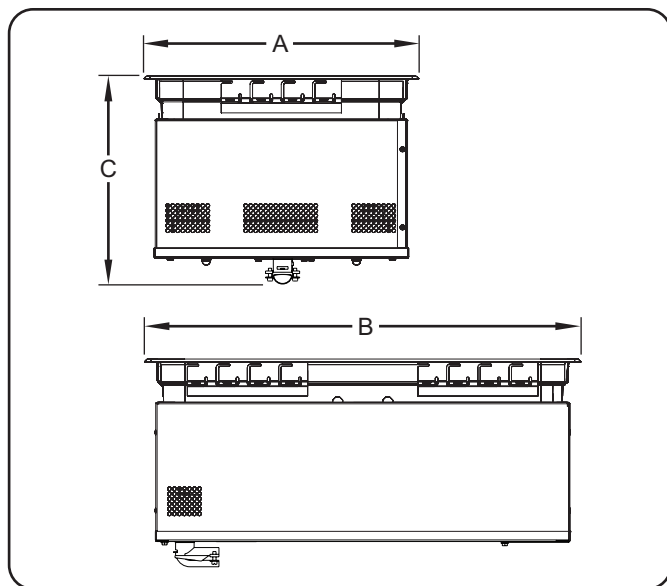
† Pour les unités **HWB-FUL** équipées d’un cordon et d’une prise, la hauteur « C » est de 374 mm (14-3/4"). La hauteur ajoutée concerne le support de commande installé en bas de l’unité.



Dimensions — Modèles **HWB-FUL** (non isolés, montage en haut)

Dimensions — Modèles **HWBI-FUL** (isolés, montage en haut)

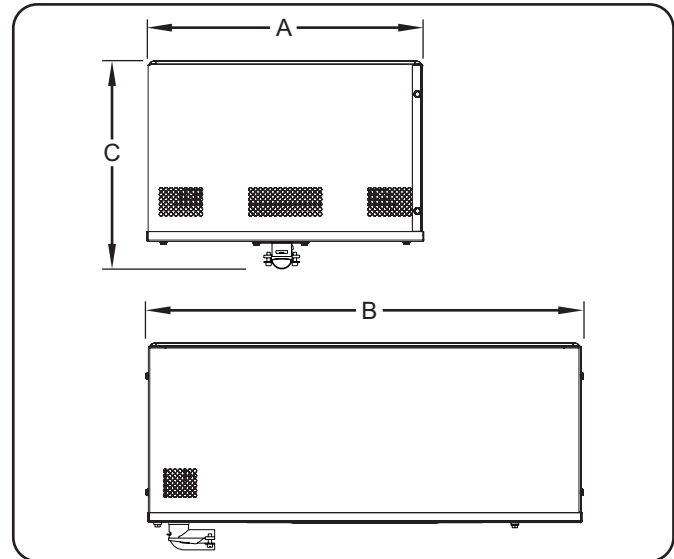
Modèles:		
HWBI-FUL	HWBIRT-FUL	
HWBI-FULD	HWBIRT-FULD	
HWBLI-FUL	HWBLIRT-FUL	
HWBIL-FULD	HWBLIRT-FULD	
HWBHI-FUL	HWBHIRT-FUL	
HWBHI-FULD	HWBHIRT-FULD	
Largeur (A)	Profondeur (B)	Hauteur (C)
347 mm (13-3/4")	553 mm (21-3/4")	263 mm (10-3/8")



Dimensions — Modèles **HWBI-FUL** (isolés, montage en haut)

Dimensions — Modèles **HWBIB-FUL** (isolés, montage en bas)

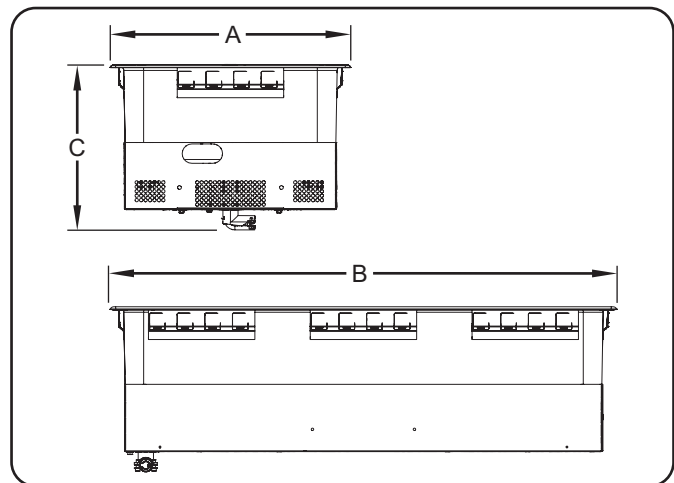
Modèles:		
HWBIB-FUL	HWBHIB-FUL	
HWBIB-FULD	HWBHIB-FULD	
HWBIB-FULDA	HWBHIB-FULDA	
HWBLIB-FUL	HWBLIBRT-FUL	
HWBLIB-FULD	HWBLIBRT-FULD	
HWBLIB-FULDA	HWBHIBRT-FUL	
HWBIBRT-FUL	HWBHIBRT-FULD	
HWBIBRT-FULD		
Largeur (A)	Profondeur (B)	Hauteur (C)
352 mm (13-7/8")	561 mm (22-1/8")	261 mm (10-3/8")



Dimensions — Modèles **HWBIB-FUL**
(isolés, montage en bas)

Dimensions — Modèles **HWB-43**

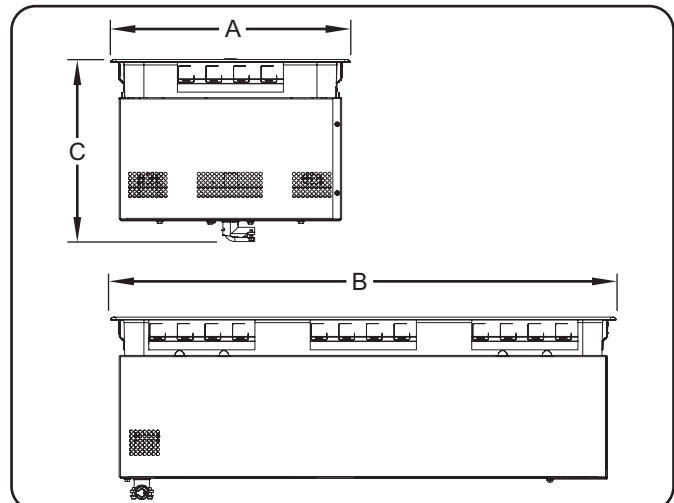
Modèles:		
HWB-43	HWB-43D	HWB-43DA
HWBL-43	HWBL-43D	HWBL-43DA
HWBH-43	HWBH-43D	HWBH-43DA
HWBRT-43	HWBRT-43D	HWBLRT-43
HWBLRT-43D	HWBHRT-43	HWBHRT-43D
HWBRN-43	HWBRN-43D	HWBLRN-43
HWBLRN-43D	HWBHRN-43	HWBHRN-43D
Largeur (A)	Profondeur (B)	Hauteur (C)
13-5/8" (345 mm)	28-5/8" (726 mm)	9-7/16" (239 mm)



Dimensions — Modèles **HWB-43**

Dimensions — Modèles **HWBI-43**

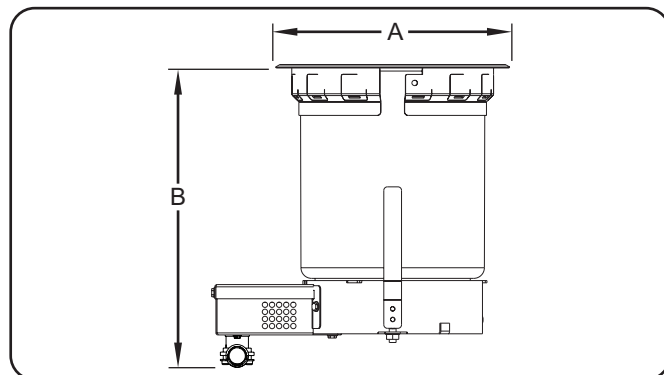
Modèles:		
HWBI-43	HWBI-43D	HWBLI-43
HWBLI-43D	HWBHI-43	HWBHI-43D
Largeur (A)	Profondeur (B)	Hauteur (C)
13-5/8" (345 mm)	28-5/8" (726 mm)	10-5/16" (262 mm)



Dimensions — Modèles **HWBI-43**

Dimensions — Modèles HWB-4QT

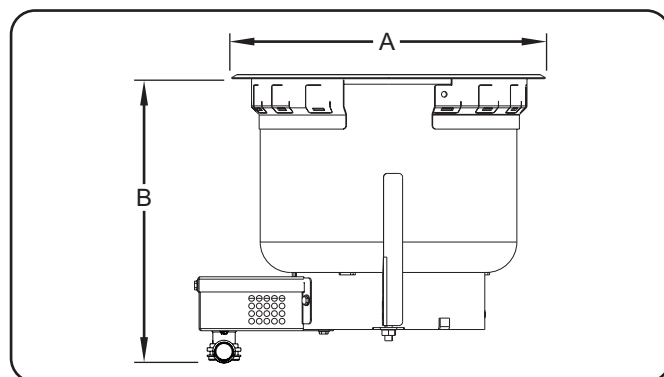
Modèles:	
HWB-4QT	HWBRN-4QT HWBRT-4QT
HWB-4QTD	HWBRN-4QTD HWBRT-4QTD
HWBI-4QT	HWBI-4QTD
Diamètre (A)	Hauteur (B)
212 mm (8-3/8")	270 mm (10-5/8")



Dimensions — Modèles HWB-4QT

Dimensions — Modèles HWB-7QT

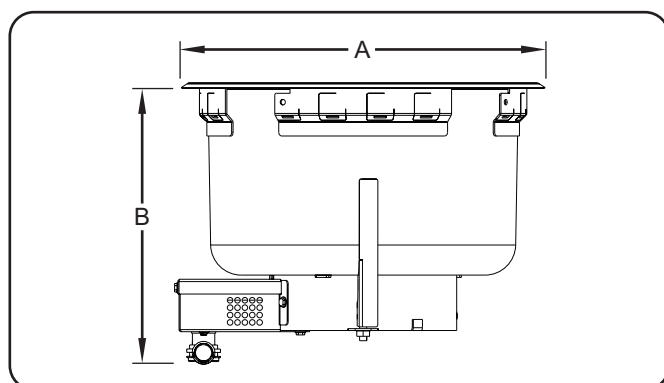
Modèles:	
HWB-7QT	HWBRN-7QT HWBRT-7QT
HWB-7QTD	HWBRN-7QTD HWBRT-7QTD
HWBH-7QT	HWBHRN-7QT HWBHRT-7QT
HWBH-7QTD	HWBHRN-7QTD HWBHRT-7QTD
HWBI-7QT	HWBI-7QTD HWBI-7QTDA
HWBIH-7QT	HWBIH-7QTD HWBIH-7QTDA
Diamètre (A)	Hauteur (B)
262 mm (10-5/16")	244 mm (9-5/8")



Dimensions — Modèles HWB-7QT

Dimensions — Modèles HWB-11QT

Modèles:	
HWB-11QT	HWBRN-11QT HWBRT-11QT
HWB-11QTD	HWBRN-11QTD HWBRT-11QTD
HWBH-11QT	HWBHRN-11QT HWBHRT-11QT
HWBH-11QTD	HWBHRN-11QTD HWBHRT-11QTD
HWBI-11QT	HWBI-11QTD HWBI-11QTDA
HWBIH-11QT	HWBIH-11QTD HWBIH-11QTDA
Diamètre (A)	Hauteur (B)
313 mm (12-5/16")	244 mm (9-5/8")



Dimensions — Modèles HWB-11QT

Généralités

Les unités de puits chauffants intégrés sont initialement fournies par l'usine avec la plupart des composants assemblés et prêts à l'emploi. Utilisez les procédures suivantes pour l'installation de l'unité.

AVERTISSEMENT

DANGER DE DÉCHARGE ÉLECTRIQUE: L'appareil n'est pas à l'épreuve des intempéries. Placer l'appareil à l'intérieur à une température ambiante de 21°C minimum.

DANGER D'INCENDIE:

- Installez l'unité avec un minimum de 89 mm (3-1/2") d'espace entre le dessous de l'unité et toutes les surfaces inflammables afin d'éviter toute combustion.
- L'unité doit être installée en utilisant un joint mastic en bandes entre l'unité et la surface d'installation, conformément aux instructions d'installation (reportez-vous à la section Installation de ce manuel).

L'élément doit être installé par des installateurs formés et qualifiés. L'installation doit être conforme à toutes les normes locales en matière d'électricité et de plomberie. Vérifiez les procédures et les normes à suivre auprès de vos inspecteurs locaux en matière de plomberie et d'électricité.

ATTENTION

Placer l'appareil sur un plan de travail de hauteur correcte à un endroit qui convient pour son utilisation. Le support doit être de niveau pour éviter toute chute accidentelle du grille-pain ou de son contenu et suffisamment solide pour résister au poids de l'appareil et de son contenu.

AVIS

Ne pas utiliser l'appareil à un endroit exposé à des températures excessives ou de la graisse de grils, friteuses, etc. Les températures excessives risquent d'abîmer l'appareil.

Units are voltage-specific. Refer to specification label for electrical requirements before beginning installation.

L'unité est conçue et recommandée pour fonctionner encastrée ou posée sur une table de travail en métal. La garantie Hatco ne couvre pas les dommages faits à la table de travail. Pour les autres surfaces, vérifiez auprès de leurs fabricants que le matériau peut supporter de façon durable des températures atteignant 93°C (200°F).

AVIS

Les panneaux de commande montés à distance doivent être installés à une distance d'au moins 152 mm (6") de l'unité (et ne pas dépasser 1 829 mm [72"]). Une installation plus rapprochée peut entraîner un dommage thermique sur le système électrique du panneau de commande.

Les dommages à toute partie de la table de travail pouvant être causés par la chaleur générée par l'équipement de Hatco ne sont pas couverts par la garantie de Hatco. Contactez le fabricant de la table de travail pour obtenir des informations concernant ce problème.

NOTA: Tous les puits chauffants intégrés requièrent que le boîtier de commande à distance soit installé en position verticale.

1. Retirez l'appareil du carton de livraison et retirez tous les éléments d'emballage

NOTA: Pour éviter des retards dans l'obtention de la couverture de la garantie, complétez l'enregistrement en ligne de votre garantie. Lisez la section INFORMATIONS IMPORTANTES POUR LE PROPRIÉTAIRE pour plus de détails.

2. Retirez le ruban et l'emballage de protection de toutes les surfaces de l'appareil.

NOTA: Il est recommandé qu'un électricien qualifié se charge du raccordement des unités de puits chauffants intégrés à la source d'alimentation. Il est recommandé qu'un plombier qualifié se charge du raccordement du système de vidange.

3. Installez l'unité à l'emplacement souhaité. Utilisez la procédure adéquate dans cette section pour les tables de travail inflammables ou non-inflammables.

REMARQUE IMPORTANTE :

Pour les unités avec support inférieur, reportez-vous à la procédure « Installation d'une unité avec support inférieur » dans cette section ou à la procédure « Support de montage pour unités avec support inférieur » de la section OPTIONS ET ACCESSOIRES avant d'effectuer toute découpe de table de travail.

4. Installez le boîtier de commande intégré à distance (reportez-vous à la procédure dans cette section).

Installation d'une unité avec un support supérieur dans une table de travail inflammable

AVERTISSEMENT

DANGER D'INCENDIE:

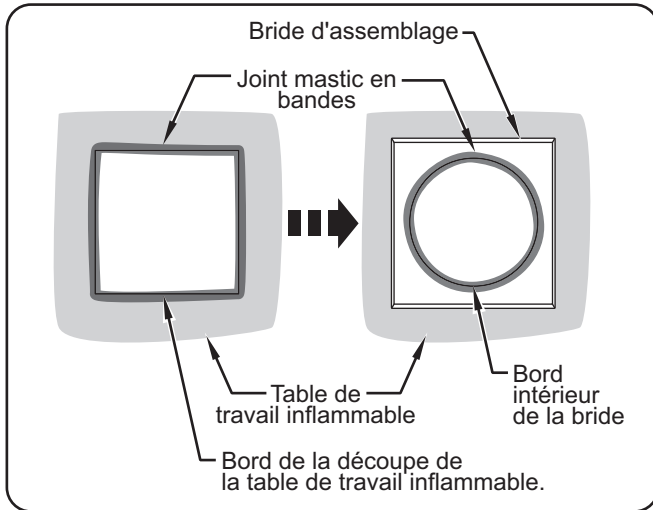
- Les kits de brides de montage Hatco doivent être utilisés lors de l'installation d'une unité sur une table de travail inflammable.
- L'unité doit être installée à l'aide d'un joint mastic en bandes placé entre l'unité et la surface d'installation conformément aux instructions d'installation.

NOTA: Découpez l'ouverture pour la bride d'assemblage/l'unité et le boîtier de commande avant de placer l'ensemble dans l'ouverture de la table de travail.

NOTA: Assurez-vous que l'emplacement pour l'installation offre suffisamment de place pour le boîtier de commande à distance, les connexions électriques et la tuyauterie.

1. Découpez dans la table de travail l'ouverture appropriée pour la bride d'assemblage. Reportez-vous au paragraphe « Graphique pour la découpe de tables de travail inflammables (pour unité/kit d'installation) » de cette section.
2. Découpez l'ouverture appropriée pour le boîtier de commande. Reportez-vous au paragraphe « Dimensions pour la découpe du boîtier de commande » de cette section.
3. Placez le joint mastic en bandes sur la bordure de la découpe de la table de travail. Veillez à ce que le joint mastic en bandes dépasse de la bordure de la découpe ou scellez l'unité avec un adhésif à base de silicone.

NOTA: Un rouleau de joint mastic en bandes est fourni avec l'unité.

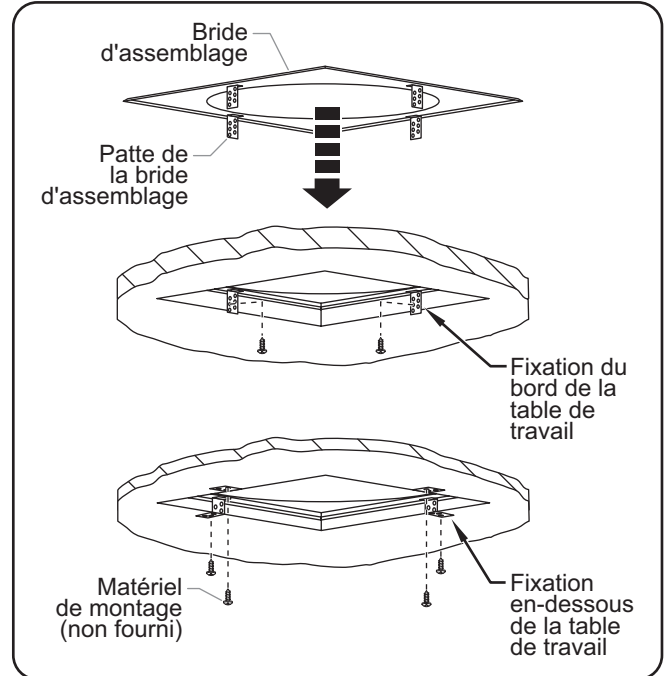


Installation du joint mastic en bandes

4. Placez la bride d'assemblage dans l'ouverture de la table de travail.

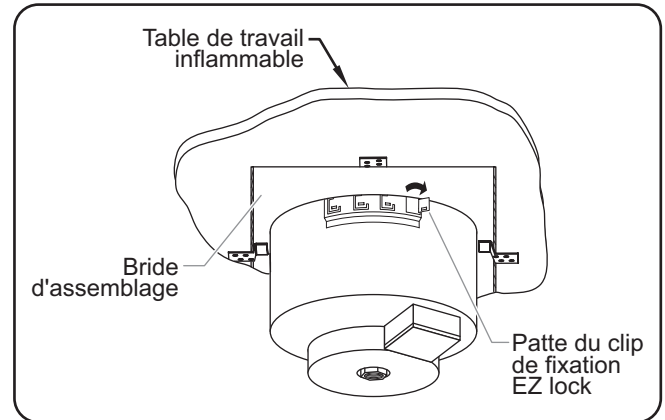
5. Fixez les pattes de la bride d'assemblage au bord ou en-dessous de la table de travail inflammable en utilisant le matériel approprié (matériel de montage non fourni).

NOTA: Pour la fixation sur face antérieure, les pattes de la bride d'assemblage doivent être pliées en-dessous de la table de travail.



Installation du kit de la bride d'assemblage

6. Placez le joint mastic en bandes autour du bord intérieur de la bride d'assemblage. Veillez à ce que le joint mastic en bandes dépasse du bord de la bride ou scellez l'unité avec un adhésif à base de silicone.
7. Placez l'unité dans l'ouverture de la bride d'assemblage.
8. Utilisez un tournevis, tournez la patte du clip de fixation EZ lock de l'unité vers l'extérieur pour fixer l'unité en-dessous de la bride d'assemblage. Faites tourner autant de pattes que nécessaire pour fixer l'unité à la bride d'assemblage.



Pattes du clip de fixation EZ lock

9. Coupez soigneusement et retirez l'excès de joint mastic en bandes des bords de l'unité.

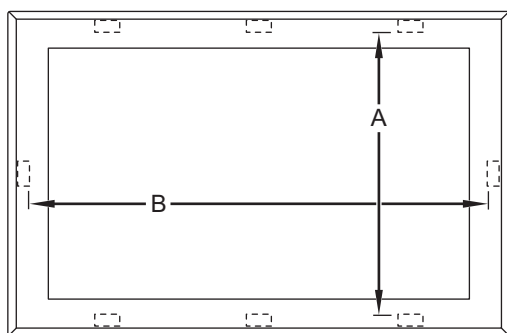
Graphique des découpes pour tables de travail inflammables (pour unité/kit d'installation)

Modèles	Largeur minimum (A)	Largeur maximum (A)	Profondeur minimum (B)	Profondeur maximum (B)	Largeur (C)	Profondeur (D)	Hauteur disponible en dessous de la table de travail
HWB-FUL	356 mm (14")	362 mm (14-1/4")	559 mm (22")	565 mm (22-1/4")	---	---	267 mm (10-1/2")
HWB-43 HWBI-43	356 mm (14")	362 mm (14-1/4")	737 mm (29")	743 mm (29-1/4")	---	---	254 mm (10")
HWB-4QT♦	229 mm (9")	235 mm (9-1/4")	229 mm (9")	235 mm (9-1/4")	254 mm (10")	254 mm (10")	279 mm (11")
HWB-7QT♦	279 mm (11")	286 mm (11-1/4")	279 mm (11")	286 mm (11-1/4")	305 mm (12")	305 mm (12")	254 mm (10")
HWB-11QT♦	330 mm (13")	337 mm (13-1/4")	330 mm (13")	337 mm (13-1/4")	356 mm (14")	356 mm (14")	254 mm (10")

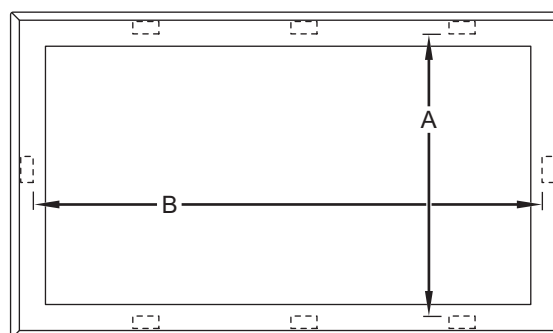
♦ L'ouverture dans la table de travail inflammable consiste en une découpe « carrée ».

NOTA: Un kit d'installation est nécessaire pour les installations sur tables de travail inflammables.

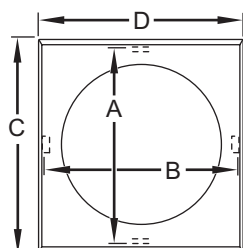
NOTA: Un dégagement supplémentaire est nécessaire en-dessous de la table de travail pour les unités équipées d'un système de vidange.



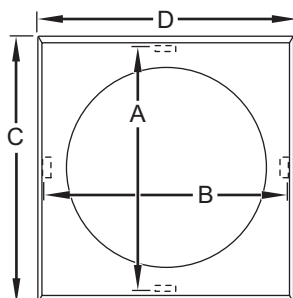
Modèles HWB-FUL



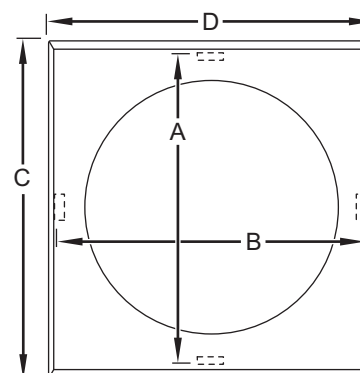
Modèles HWB-43 et HWBI-43



Modèles HWB-4QT



Modèles HWB-7QT



Modèles HWB-11QT

Modèles de brides d'assemblage pour tables de travail inflammables

Installation d'une unité avec support supérieur dans une table de travail non inflammable

AVERTISSEMENT

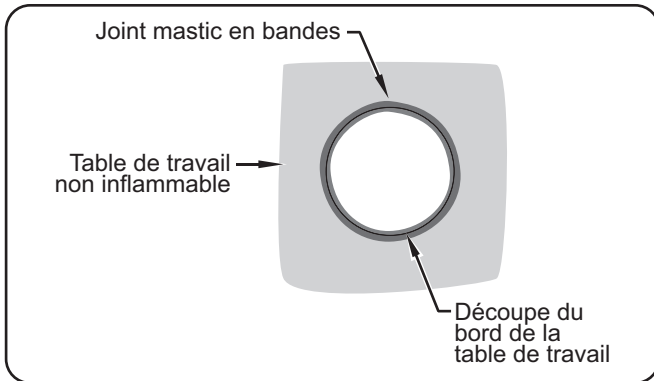
DANGER D'INCENDIE: L'unité doit être installée en utilisant un joint mastic en bandes entre l'unité et la surface d'installation, conformément aux instructions d'installation (reportez-vous à la section Installation de ce manuel).

NOTA: Un kit de bride d'assemblage n'est pas nécessaire pour l'installation sur des matériaux non-inflammables.

NOTA: Découpez l'ouverture de l'unité et du boîtier de commande avant de placer l'unité dans l'ouverture faite dans la table de travail.

NOTA: Assurez-vous que l'emplacement pour l'installation offre suffisamment de place pour le boîtier de commande à distance, les connexions électriques et la tuyauterie.

1. Découpez l'ouverture appropriée dans la table de travail. Reportez-vous au paragraphe « Graphique pour la découpe de tables de travail non inflammables » de cette section.
2. Découpez l'ouverture appropriée pour le boîtier de commande. Reportez-vous au paragraphe « Dimensions pour la découpe du boîtier de commande » de cette section.
3. Placez le joint mastic en bandes sur la bordure de la découpe de la table de travail. Veillez à ce que le joint mastic en bandes dépasse de la bordure de la découpe ou scellez l'unité avec un adhésif à base de silicone.

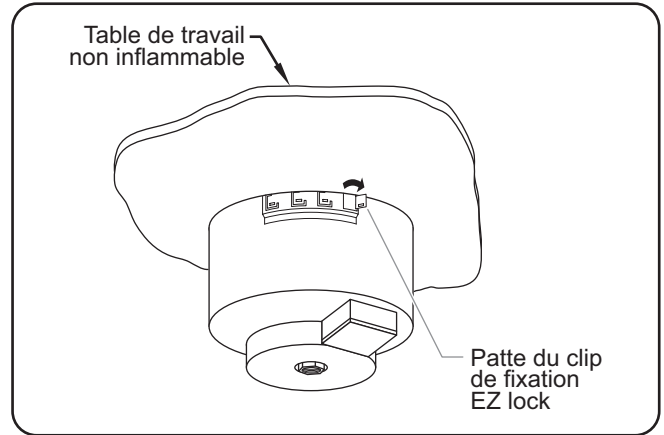


Installation du joint mastic en bandes

NOTA: Un rouleau de joint mastic en bandes est fourni avec l'unité.

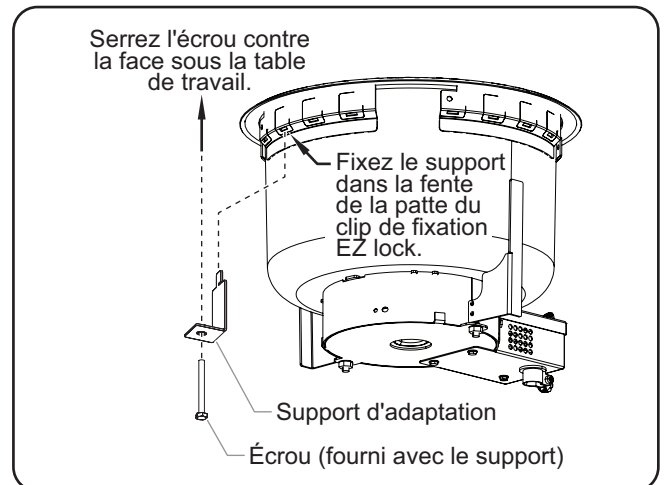
4. Placez l'appareil dans l'ouverture de la table de travail.

5. À l'aide d'un tournevis, tournez la patte du clip de fixation EZ lock de l'unité vers l'extérieur pour fixer l'unité en-dessous de la table de travail. Faites tourner autant de pattes que nécessaire pour fixer l'unité à la table de travail.



Pattes du clip de fixation EZ lock

NOTA: Les pattes du clip de fixation EZ lock d'Hatco fonctionnent sur des tables de travail dont l'épaisseur maximale est de 5 mm (3/16"). Pour les tables de travail dont l'épaisseur est comprise entre 5 mm et 5 cm (entre 3/16" et 2"), utilisez un support d'adaptation en option RÉF. R04.42.194.00. Pour plus de détails, consultez la section OPTIONS ET ACCESSOIRES.



Support d'adaptation pour tables de travail épaisses

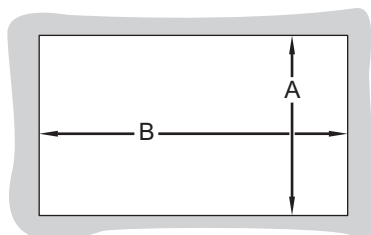
6. Coupez soigneusement et retirez l'excès de joint mastic en bandes des bords de l'unité.

Graphique des découpes pour tables de travail non-inflammables

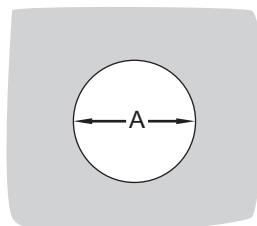
Modèles	Largeur minimum (A)	Largeur maximum (A)	Profondeur minimum (B)	Profondeur maximum (B)	Hauteur disponible en dessous de la table de travail
HWB-FUL	321 mm (12-5/8")	328 mm (12-15/16")	524 mm (20-5/8")	531 mm (20-15/16")	267 mm (10-1/2")
HWBIB-FUL [■]	306 mm (12-1/32")	306 mm (12-1/32")	509 mm (20-1/32")	509 mm (20-1/32")	267 mm (10-1/2")
HWB-43 HWBI-43	322 mm (12-11/16")	328 mm (12-15/16")	703 mm (27-11/16")	711 mm (28")	254 mm (10")
HWB-4QT	Ø 181 mm (7-1/8")	Ø 192 mm (7-9/16")	---	---	279 mm (11")
HWBI-4QT	Ø 187 mm (7-3/8")	Ø 192 mm (7-9/16")	---	---	279 mm (11")
HWB-7QT	Ø 232 mm (9-1/8")	Ø 243 mm (9-9/16")	---	---	254 mm (10")
HWBI-7QT	Ø 243 mm (9-9/16")	Ø 243 mm (9-9/16")	---	---	254 mm (10")
HWB-11QT	Ø 282 mm (11-1/8")	Ø 294 mm (11-9/16")	---	---	254 mm (10")
HWBI-11QT	Ø 289 mm (11-3/8")	Ø 294 mm (11-9/16")	---	---	254 mm (10")

■ Pour obtenir les dimensions de découpe à l'aide de l'installation de la bride, reportez-vous au paragraphe « Installation d'une unité avec support inférieur » de la section INSTALLATION. Si vous utilisez des supports de fixation en option, reportez-vous au paragraphe « Supports de fixation pour unités avec support inférieur » de la section OPTIONS ET ACCESSOIRES.

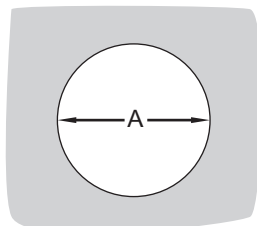
NOTA: Un dégagement supplémentaire est nécessaire en-dessous de la table de travail pour les unités équipées d'un système de vidange.



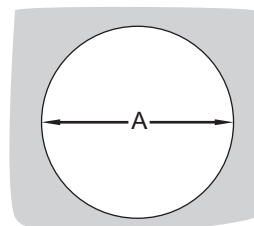
Modèles HWB-FUL, HWBIB-FUL, HWB-43, et HWBI-43



Modèles HWB-4QT



Modèles HWB-7QT



Modèles HWB-11QT

Modèles d'assemblage pour tables de travail non inflammables

Installation du boîtier de commande à distance

⚠ AVERTISSEMENT

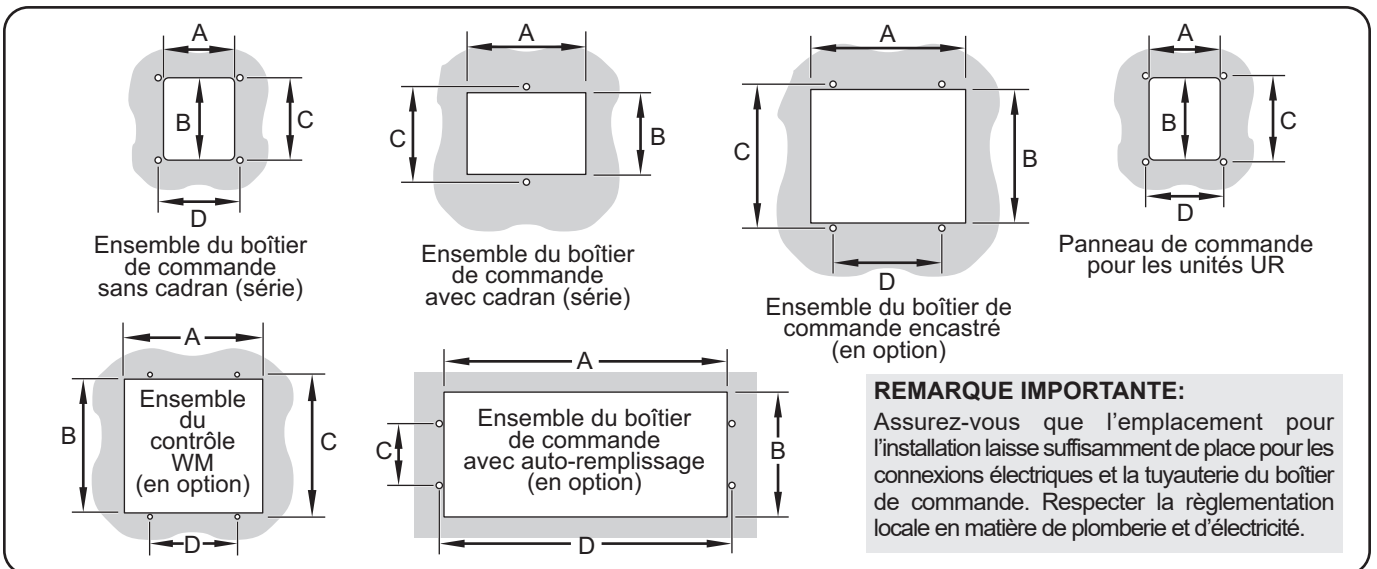
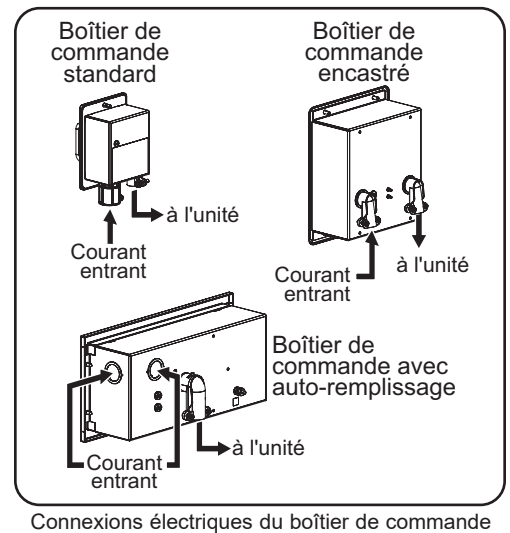
DANGER DE DÉCHARGE ÉLECTRIQUE:

- Le boîtier de commande monté à distance doit être installé sur un mur vertical en position verticale. L'installation du boîtier de commande en position horizontale peut conduire à une accumulation de liquides et entraîner une décharge électrique.
- La tension d'opération de la vanne d'eau du boîtier de contrôle à distance dépasse 50 V (tension très faible). Le boîtier est marqué du symbole suivant, signifiant un danger: ⚡

NOTA: Il est recommandé qu'un électricien qualifié se charge du raccordement à la source d'alimentation. Il est recommandé qu'un plombier qualifié se charge du raccordement du/des système(s) de vidange et de l'auto-remplissage.

1. Coupez et percez les trous appropriés dans la surface de fixation. Consultez le paragraphe « Dimensions pour la découpe du boîtier de commande » ci-dessous pour obtenir les dimensions de découpe de chaque boîtier de commande.
2. Retirez le couvercle à découper de l'ensemble du boîtier de commande.
3. Placez le boîtier de commande dans l'ouverture par la face arrière.
4. À l'aide d'un tournevis (vis à tôle n° 8 fournies), fixez le boîtier de commande à la surface de fixation.
5. Branchez le boîtier de commande à distance intégré à une source d'alimentation appropriée.
 - Pour les unités câblées, branchez le cordon d'alimentation à une prise correctement reliée à la terre et possédant le voltage, la dimension et la configuration adéquats. Consultez la section CARACTÉRISTIQUES TECHNIQUES pour obtenir plus de détails.
 - Pour les unités câblées, veillez à ce qu'un électricien qualifié procède aux branchements électriques qui conviennent.

Dimensions pour la découpe du boîtier de commande				
Modèle	Dimensions de l'ouverture		Dimensions du pas de vis	
	(A)	(B)	(C)	(D)
Ensemble du boîtier de commande sans cadran	55 mm (2-3/16")	86 mm (3-3/8")	83 mm (3-1/4")	64 mm (2-1/2")
Ensemble du boîtier de commande avec cadran	83 mm (3-1/4")	95 mm (3-3/4")	105 mm (4-1/8")	---
Ensemble du boîtier de commande encastré	149 mm (5-7/8")	162 mm (6-3/8")	173 mm (6-13/16")	98 mm (3-7/8")
Panneau de commande pour les unités UR	54 mm (2-1/8")	86 mm (3-3/8")	89 mm (3-1/2")	57 mm (2-1/4")
Ensemble du contrôle WM	121 mm (4-3/4")	127 mm (5")	133 mm (5-1/4")	76 mm (3")
Ensemble du boîtier de commande avec auto-remplissage	257 mm (10-1/8")	121 mm (4-3/4")	64 mm (2-1/2")	264 mm (10-7/16")



REMARQUE IMPORTANTE:
Assurez-vous que l'emplacement pour l'installation laisse suffisamment de place pour les connexions électriques et la tuyauterie du boîtier de commande. Respecter la réglementation locale en matière de plomberie et d'électricité.

NOTA: Les unités câblées standard et approuvées par l'UL sont équipées d'un conduit flexible de 914 mm (36") branché au boîtier de commande.

- Si votre unité en est équipée, branchez l'approvisionnement en eau au système d'auto-remplissage en option. Reportez-vous à la procédure « Installation d'une unité munie d'un système d'auto-remplissage » de cette section.
- Réinstallez le couvercle à découper.

Installation d'une unité d'auto-remplissage

L'option d'auto-remplissage latéral relie l'arrivée d'eau disponible sur les lieux à un raccord d'auto-remplissage situé sur une des parois du puits via le panneau de commande. Suivez la procédure suivante pour installer une unité équipée de l'option d'auto-remplissage latéral.

NOTA: Le kit de plomberie vendu avec cette unité comprend les éléments suivants : coude mâle et femelle, valve anti-retour, tuyau de remplissage et colliers de serrage.



Les unités avec auto-remplissage doivent être installées avec une protection anti-reflux adaptée et doivent être conformes aux lois nationales en vigueur.

AVIS

Les appareils dotés du système d'autoremplissage approvisionnés en eau par un système d'osmose inverse (ou d'un système de filtration d'eau similaire) doivent être installés avec un système de reminéralisation pour garantir un bon fonctionnement. Si vous ne respectez pas ces consignes, l'appareil pourrait trop se remplir. Les dommages causés par le surremplissage ne sont pas couverts par la garantie.

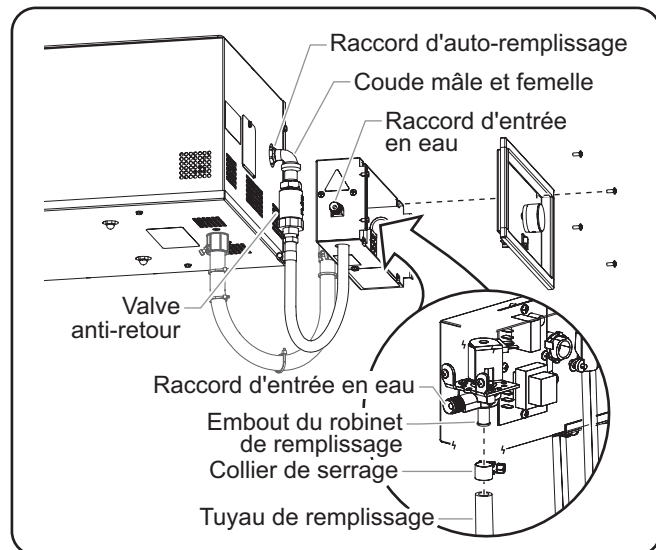
Les joints d'étanchéité doivent pouvoir supporter une température de 260°C (500°F) minimum. Les conduites d'arrivée d'eau doivent être conformes aux normes FDA relatives à l'eau potable.

- Connectez le coude mâle et femelle à l'emplacement de l'auto-remplissage situé à l'extérieur du puits. Remplacez le tuyau de remplissage sur le raccord.

NOTA: Il est possible de vous deviez retirer le tuyau de remplissage de l'ensemble de remplissage pour plus de confort.

- Branchez l'autre extrémité du tuyau de remplissage à l'embout du robinet de remplissage dans le boîtier de commande et fixez-le à l'aide d'un collier de serrage. (Démontez le couvercle à découper du boîtier de commande pour accéder à l'embout).

- Connectez le tuyau d'alimentation en eau disponible sur les lieux au raccord d'entrée d'eau NPT de 0,64 cm (1/4") du boîtier de commande.
- Mettez l'alimentation en eau en route et recherchez les fuites éventuelles.



Installation de l'unité d'auto-remplissage (HWBIB-FULDA)

NOTA: Consultez le paragraphe « Caractéristiques de l'approvisionnement en eau » dans la section CARACTÉRISTIQUES TECHNIQUES de ce manuel pour connaître les exigences en matière d'approvisionnement en eau.

Installation d'un ensemble de vidange

Après avoir installé une unité équipée d'un système de vidange dans la table de travail, utilisez la procédure suivante pour connecter l'unité au tuyau d'évacuation disponible sur place.

ATTENTION

RISQUE DE BRÛLURES : L'eau de vidange peut atteindre des températures allant jusqu'à 93°C (200°F). Utilisez les matériaux de plomberie appropriés lors de l'installation du système de vidange.

NOTA: Consultez un plombier agréé pour que l'installation du système de vidange soit conforme aux normes de plomberie locales.

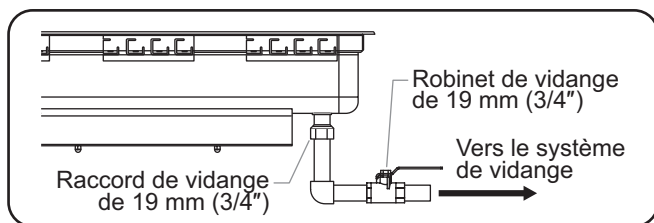
NOTA: En cas de besoin, un intervalle d'air approuvé ou un dispositif de prévention anti-retour doit être installé par un plombier agréé.

1. Connectez le conduit d'évacuation (non fourni) du raccord de vidange NPT de 1,9 cm (3/4") situé en bas de l'unité à un robinet de vidange de 1,9 cm (3/4") (disponible parmi les accessoires Hatco).

NOTA: Le robinet de vidange doit être installé dans un endroit facile d'accès pour l'opérateur.

2. Connectez le robinet de vidange au tuyau d'évacuation (non fourni par Hatco) disponible sur place.

NOTA: Hatco recommande d'utiliser un raccord-union adapté au système d'évacuation pour faciliter l'entretien.

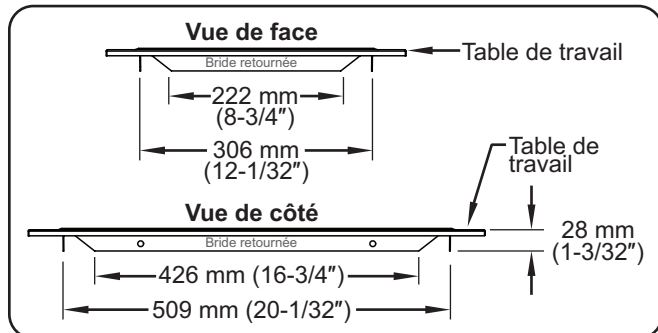


Connexion de la vidange

Installation d'une unité avec support inférieur

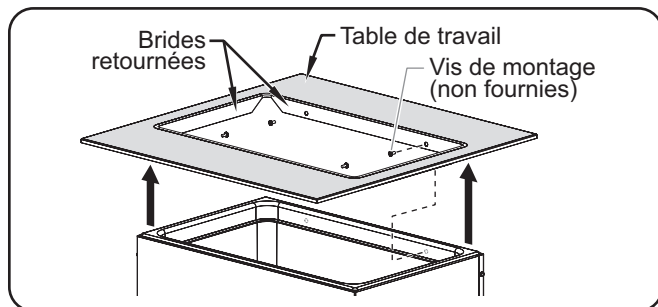
L'installation d'une unité avec support inférieur nécessite la fabrication sur mesure de la table de travail par un installateur qualifié et expérimenté. Servez-vous des informations suivantes comme d'un guide pour une méthode d'installation d'une unité avec support inférieur. Reportez-vous à la section OPTIONS ET ACCESSOIRES pour une méthode d'installation à l'aide d'un support de fixation en option.

- Découpez la table de travail de manière à avoir des brides retournées des quatre côtés. Pour une installation réussie, ces brides doivent être positionnées à l'intérieur du puits.



Dimensions suggérées pour la bride retournée

- Appliquez du mastic en silicone sur le bord supérieur du puits avant l'installation.
- Fixez l'unité à la table de travail en installant les vis de montage (non fournies) dans les brides retournées et sur le bord supérieur du puits.



Installation d'une unité avec support inférieur

MODE D'EMPLOI

Généralités

Veillez suivre les procédures suivantes pour faire fonctionner un puits chauffant intégré.

AVERTISSEMENT

Lire tous les messages de sécurité de la section Consignes de sécurité importantes avant d'utiliser ce matériel.

DANGER DE DÉCHARGE ÉLECTRIQUE: N'utilisez pas l'unité pour faire fondre ou conserver de la glace. Le non-respect de cette consigne peut causer de la condensation, créer un danger électrique et causer des blessures corporelles et/ou endommager l'unité. Les dommages causés par la condensation ne sont pas couverts par la garantie.

AVERTISSEMENT

DANGER DE DÉCHARGE ÉLECTRIQUE: Pour les unités sans fonction d'auto-remplissage, éteignez l'unité lorsque vous la remplissez avec de l'eau et essayez d'éviter les projections.

AVIS

Les appareils dotés du système d'autoremplissage approvisionnés en eau par un système d'osmose inverse (ou d'un système de filtration d'eau similaire) doivent être installés avec un système de reminéralisation pour garantir un bon fonctionnement. Si vous ne respectez pas ces consignes, l'appareil pourrait trop se remplir. Les dommages causés par le surremplissage ne sont pas couverts par la garantie.

AVIS

Les graisses standard et approuvées utilisées lors de la fabrication peuvent provoquer des fumées au cours du démarrage initial pendant 30 minutes. Il s'agit d'un état temporaire. Utilisez l'appareil sans produit alimentaire jusqu'à ce que la fumée disparaisse.

Laissez l'unité refroidir jusqu'à ce qu'elle ait atteint la température ambiante avant de passer d'une utilisation à eau vers une utilisation à sec et vice versa. Laissez l'unité fonctionner « à sec » ou ajouter de l'eau lorsqu'elle est en position « à eau » endommagera l'unité.

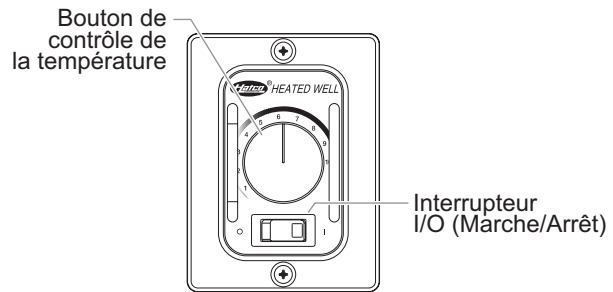
Les puits chauffants intégrés d'Hatco sont conçus pour un fonctionnement À EAU ou À SEC. Hatco recommande un fonctionnement « à eau » pour un chauffage constant des aliments. Si l'unité fonctionne en mode « à eau » mais qu'elle peut également passer en mode « à sec », éteignez-la et laissez-la refroidir avant d'y ajouter de l'eau.

Démarrage

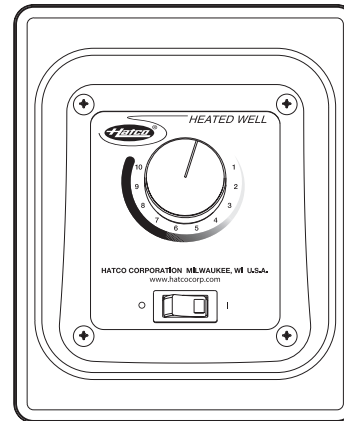
1. Préparez le fonctionnement du puits chauffant.
 - Si vous utilisez le puits en mode « à eau » et sans l'auto-remplissage, assurez-vous que le robinet de vidange est fermé (si l'unité en est équipée) et remplissez le puits manuellement avec de l'eau chaude du robinet jusqu'à ce que le puits soit rempli avec 32 mm (1-1/4") d'eau maximum.
 - Si l'unité est équipée de l'option d'auto-remplissage, assurez-vous que le robinet de vidange est fermé.
2. Placez un bac vide dans le puits ou couvrez le puits à l'aide d'un couvercle. Cette étape est recommandée afin d'accélérer le préchauffage et atteindre la température de fonctionnement.
3. Placez l'interrupteur I/O (Marche/Arrêt) sur la position I (Marche). Le témoin lumineux de l'interrupteur s'allume lorsque l'unité est en marche.
 - Si l'unité est équipée de l'option d'auto-remplissage, l'interrupteur I/O lancera le système d'auto-remplissage lorsqu'il sera placé sur I (Marche). Le puits se remplira d'eau jusqu'à ce que l'eau atteigne le capteur de niveau d'eau dans le puits. Au cours du fonctionnement, le système d'auto-remplissage maintiendra automatiquement le niveau de l'eau grâce au capteur de niveau d'eau.
4. Tournez les boutons de contrôle de la température jusqu'à la température désirée.
5. Laissez le puits chauffant préchauffer pendant environ 30 minutes.

⚠ AVERTISSEMENT

Hatco Corporation n'est pas responsable de la température réelle à laquelle les aliments sont servis. Il est de la responsabilité de l'utilisateur de s'assurer que la nourriture est conservée et servie à une température sans danger.



Panneau de commande standard



Panneau de commande encastré en option avec contrôle mécanique de la température

Panneaux de contrôle

NOTA: Reportez-vous à la section OPTIONS ET ACCESSOIRES pour les unités équipées du contrôle numérique de la température en option.

Chauffage des aliments

Placez le/les bac(s) de nourriture approprié(s) dans l'ouverture de l'appareil.

- Utilisez toujours un bac alimentaire. Ne placez pas les aliments directement dans la partie chauffante.
- Remuez fréquemment les aliments plus consistants afin de répartir la chaleur de manière uniforme.
- Gardez le couvercle sur les bacs afin de conserver la qualité et la température des aliments.

Arrêt

1. Placez l'interrupteur I/O (Marche/Arrêt) sur la position O (Arrêt). Le témoin lumineux de l'interrupteur s'éteindra ; si votre unité est équipée de l'auto-remplissage, ce dernier sera désactivé.

Généralités

Les puits chauffants intégrés d'Hatco sont conçus pour une durabilité et des performances maximales avec un minimum d'entretien.

AVERTISSEMENT

DANGER DE DÉCHARGE ÉLECTRIQUE :

- Mettez l'interrupteur sur « ARRÊT », débranchez le cordon d'alimentation/coupez le courant au disjoncteur, et laissez refroidir l'unité avant d'effectuer toute opération de nettoyage, de réglage ou d'entretien.
- NE PAS immerger l'appareil ni le saturer d'eau. L'appareil n'est pas étanche à l'eau. Ne pas le faire fonctionner s'il a été immergé ou saturé d'eau.
- Ne pas nettoyer l'appareil lorsqu'il est sous tension.
- L'appareil n'est pas résistant aux projections. N'utilisez pas de pulvérisation de jets nettoyants pour nettoyer l'appareil.

DANGER D'INCENDIE: Ne pas utiliser des solutions nettoyantes inflammables pour nettoyer cet appareil.

Cet appareil ne contient aucune pièce réparable par l'utilisateur. Si cet appareil doit être réparé, contacter un réparateur Hatco agréé ou le Service après-vente Hatco au +1 414-671-6350.

AVIS

N'utilisez pas de paille de fer pour le nettoyage. La paille de fer raye les finitions.

Utiliser seulement des nettoyants non abrasifs et des chiffons doux. Les chiffons et nettoyant abrasifs pourraient érafler la finition de l'unité, entachant son apparence et la rendant susceptible à l'accumulation de saleté.

Ne pas utiliser de produits chimiques puissants tels que de l'eau de Javel (ou des nettoyants contenant de l'eau de Javel), des nettoyants pour four pour nettoyer cet appareil.

Nettoyage quotidien

Pour préserver les finitions des puits, suivez quotidiennement les procédures de nettoyage suivantes.

1. Placez l'interrupteur I/O (Marche/Arrêt) sur la position **O** (Arrêt) et laissez l'unité refroidir.
2. Retirez et lavez tous les bacs et tous les adaptateurs.
3. Vidangez et retirez l'eau du puits s'il a été utilisé en mode « à eau ».
4. Essuyez l'intégralité de l'unité à l'aide d'un chiffon ou d'une éponge propre et d'un détergent doux.
5. Servez-vous d'une éponge à récurer en plastique pour retirer toute particule solide de nourriture ou dépôt de minéraux.
6. Rincez abondamment le puits avec de l'eau chaude et retirez tout résidu de détergent.
7. Essuyez l'intégralité de l'unité en utilisant un chiffon doux et sec.

Retrait des dépôts de chaux et de minéraux

Suivez la procédure suivante dès que vous détectez des dépôts de chaux ou de minéraux sur les parois des puits chauffants.

1. Placez l'interrupteur I/O (Marche/Arrêt) sur la position **O** (Arrêt) et laissez l'unité refroidir.
2. Retirez et lavez tous les bacs et tous les adaptateurs.
3. Ouvrez le robinet de vidange (si présent) ou évacuez manuellement l'eau des puits si vous utilisez le fonctionnement à eau.
4. Fermez le robinet de vidange.
5. Remplissez le puits avec un mélange de 50% d'eau et de 50% de vinaigre blanc jusqu'à ce que l'eau atteigne le niveau recommandé pour un fonctionnement normal (de 25 à 38 mm de profondeur) ou qu'elle passe au-dessus de l'échelle graduée. N'utilisez pas de vinaigre parfumé.
6. Placez l'interrupteur I/O sur la position **I** (Marche) et faites chauffer l'eau à une température maximale de 88°C (190°F).
7. Placez l'interrupteur I/O sur la position **O** (Arrêt) et couvrez le puits.
8. Laissez la solution agir pendant au moins une heure, voire toute une nuit pour les accumulations importantes.
9. Vidangez ou évacuez le mélange nettoyant des puits.
10. Frottez le puits avec une éponge à récurer en plastique.
11. Rincez abondamment le puits avec de l'eau chaude.
12. Essuyez l'intégralité de l'unité en utilisant un chiffon doux et sec.

NOTA: Une accumulation importante de calcaire peut nécessiter des traitements supplémentaires.

⚠ AVERTISSEMENT

La réparation de cet appareil doit être confiée exclusivement à du personnel qualifié. Les réparations par des personnes non qualifiées peuvent provoquer des décharges électriques et des brûlures.

⚠ AVERTISSEMENT

DANGER DE DÉCHARGE ÉLECTRIQUE: Mettez hors tension au niveau de l'interrupteur à fusible/disjoncteur et laissez l'appareil refroidir avant d'effectuer toute opération de maintenance, tout réglage ou tout nettoyage.

Symptômes	Causes Probables	Action Correctrice
Le puits n'est pas suffisamment chaud.	Thermostat réglé trop bas.	Montez le thermostat.
	Les éléments chauffants ne fonctionnent pas.	Contactez votre agent de maintenance agréé ou Hatco pour toute demande d'assistance.
	Le thermostat ne fonctionne pas correctement.	
	La puissance fournie est incorrecte.	Vérifiez qu'une puissance appropriée est fournie à l'unité. Une puissance trop faible cause un chauffage inapproprié.
Le puits est trop chaud.	Thermostat réglé trop haut.	Baissez le thermostat.
	Le thermostat ne fonctionne pas correctement.	Contactez votre agent de maintenance agréé ou Hatco pour toute demande d'assistance.
	La puissance fournie est incorrecte.	Vérifiez qu'une puissance appropriée est fournie à l'unité. Une puissance trop forte entraînera à une surchauffe et peut endommager l'unité.
Pas de chaleur.	Alimentation coupée.	Placez l'interrupteur sur la position MARCHÉ.
	L'interrupteur Marche/Arrêt ne fonctionne pas.	Contactez votre agent de maintenance agréé ou Hatco pour toute demande d'assistance.
	Le coupe-circuit a disjoncté.	Réinitialisez le disjoncteur. Si le coupe-circuit continue de disjoncter, contactez un agent de service agréé ou Hatco pour obtenir une assistance.
	Le thermostat ne fonctionne pas correctement.	Contactez votre agent de maintenance agréé ou Hatco pour toute demande d'assistance.
	Les éléments chauffants ne fonctionnent pas.	
Le système d'auto-remplissage ne fonctionne pas.	Le capteur de niveau d'eau est sale ou ne « capte » pas correctement.	Suivez la procédure « Nettoyage » de la section Maintenance et consultez particulièrement le point concernant le capteur du niveau d'eau.
	Dysfonctionnement du panneau de commande d'auto-remplissage.	Contactez votre agent de maintenance agréé ou Hatco pour toute demande d'assistance.
	Le robinet de remplissage de l'eau ne fonctionne pas correctement.	
L'appareil est trop rempli d'eau.	Le capteur de niveau d'eau ne « détecte » pas de minéraux dans l'arrivée d'eau. Ceci est généralement dû à de l'eau purifiée par osmose inverse ou à un procédé de filtration similaire.	Les appareils dotés du système d'auto-remplissage approvisionnés en eau par un système d'osmose inverse (ou d'un système de filtration d'eau similaire) doivent être installés avec un système de reminéralisation pour garantir un bon fonctionnement. Si vous ne respectez pas ces consignes, l'appareil pourrait trop se remplir. Les dommages causés par le surremplissage ne sont pas couverts par la garantie.
Les aliments ne sont pas conservés à une température suffisante.	Le puits fonctionne en mode « à sec ».	Laissez l'unité refroidir et remplissez-la avec la quantité d'eau appropriée pour un fonctionnement en mode « à eau ». Un fonctionnement avec de l'eau favorise une chaleur constante pour la conservation des aliments.
	Les bords des bacs alimentaires se plient et laissent sortir la chaleur.	Placez les bacs de façon à ce que les bords soient droits pour bien fermer le puits chauffant.

Vous avez des questions en ce qui concerne les pannes ?

Si le problème persiste, veuillez contacter l'agence d'entretien agréée Hatco la plus proche ou Hatco pour obtenir une assistance. Pour trouver l'agence d'entretien la plus proche, rendez-vous sur le site Internet de Hatco (www.hatcocorp.com) et sélectionnez le menu déroulant *Support (Assistance)*, puis cliquez sur « Find A Service Agent » (trouver un agent d'entretien); ou contactez l'équipe d'entretien et de pièces détachées de Hatco :

Numéro de téléphone: +1-414-671-6350

Courriel: support@hatcocorp.com

Kits de support d'adaptation

Kits de support d'adaptation pour l'installation de puits chauffants avec support supérieur dans une table de travail non inflammable dont l'épaisseur va de 5 à 51 mm (3/16-2") (consultez la procédure « Installation d'une unité avec support supérieur dans une table de travail non inflammable » dans la section INSTALLATION pour obtenir plus de détails).

HWB-MNT-REC Ensemble 8 éléments pour puits rectangulaires.

HWB-MNT-RND Ensemble 4 éléments pour puits ronds.

Divers

BALLVALVE3/4

Robinet à tournant sphérique 19 mm (3/4") pour l'installation d'un tuyau de vidange externe pour les unités avec un système de vidange.

GATEVALVE3/4IN

Robinet vanne 19 mm (3/4") pour l'installation d'un tuyau de vidange externe pour les unités avec un système de vidange.

Kits d'installation

Les kits d'installation suivants sont disponibles pour installer les unités dans des tables de travail inflammables.

HWB-FUL-MNT Kit d'installation pour les séries **HWB-FUL**.

HWB-43-MNT Kit d'installation pour les séries **HWB-43** et **HWBI-43**.

HWB-4Q-MNT Kit d'installation pour les séries **HWB-4QT**.

HWB-7Q-MNT Kit d'installation pour les séries **HWB-7QT**.

HWB-11Q-MNT Kit d'installation pour les séries **HWB-11QT**.

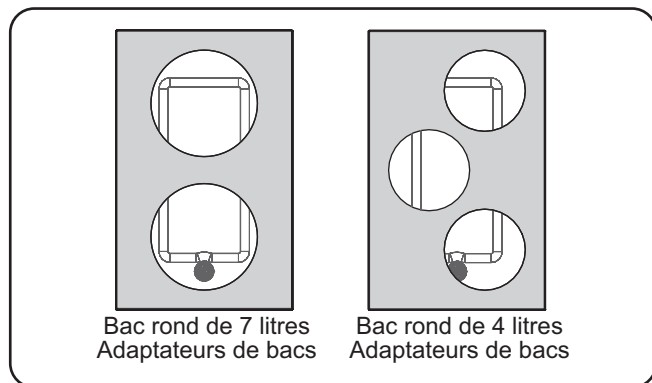
Adaptateurs de bacs

Des adaptateurs sont disponibles pour permettre à des puits chauffants rectangulaires de contenir des bacs ronds.

HWB-2-7Q Adaptateur pour que les séries de puits chauffants **HWB-FUL** puissent accueillir deux bacs ronds de 7 litres.

HWB-2-11Q Adaptateur pour que les séries de puits chauffants **HWB-43** puissent accueillir deux bacs ronds de 10 litres (11 quarts).

HWB-3-4Q Adaptateur pour que les séries de puits chauffants **HWB-FUL** puissent accueillir trois bacs ronds de 4 litres.



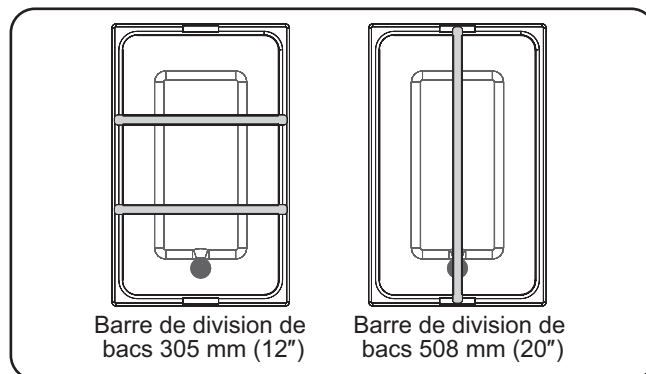
Adaptateurs de bacs

Barres de division de bacs

Les barres de division de bacs suivantes sont disponibles pour diviser un puits chauffant en sections pour différentes tailles de bacs.

HWB12BAR Barre de division de bacs 305 mm (12")

HWB20BAR Barre de division de bacs 508 mm (20")
(série **HWB-FUL** uniquement)



Barres de division de bacs

Cordon d'alimentation et fiche pour chauffe-plats ronds (HWB-XQT)

Un cordon d'alimentation muni d'une fiche est disponible pour les chauffe-plats ronds en tant qu'option montée en usine (modèles 120 V uniquement).

Bacs alimentaires

Des bacs en acier inoxydable sont disponibles en différentes tailles.

ST PAN 1/3 ... Bac en acier inoxydable format 1/3 — 324L x 175P x 64H mm (12-3/4 x 6-7/8 x 2-1/2")

ST PAN 1/2 ... Bac en acier inoxydable format 1/2 — 324L x 264P x 64H mm (12-3/4 x 10-3/8 x 2-1/2")

ST PAN 2 Bac en acier inoxydable grande format de 64 mm (2-1/2") de profondeur — 324L x 527P x 64H mm (12-3/4 x 20-3/4 x 2-1/2")

ST PAN 4 Bac en acier inoxydable grande format de 102 mm (4") de profondeur — 324L x 527P x 102H mm (12-3/4 x 20-3/4 x 4")

4QT-PAN Bac rond de 4 litres — 171 dia. x 203H mm (6-3/4 x 8")

7QT-PAN Bac rond de 7 litres — 221 dia. x 203 H mm (8-11/16 x 8")

11QT-PAN Bac rond de 10 litres — 311 dia. x 203H mm (12-1/4" x 8")

4QT-LID-1 Bac rond de 4 litres, couvercle cranté

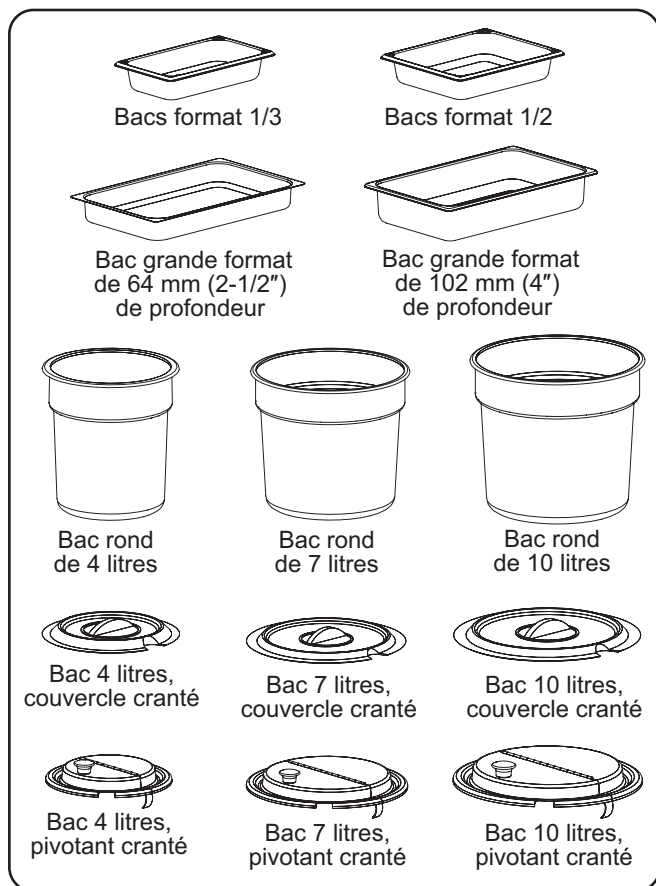
7QT-LID-1 Bac rond de 7 litres, couvercle cranté

11QT-LID-1 ... Bac rond de 10 litres, couvercle cranté

4QT-LID Bac rond de 4 litres, couvercle pivotant et cranté

7QT-LID Bac rond de 7 litres, couvercle pivotant et cranté

11QT-LID Bac rond de 10 litres, couvercle pivotant et cranté

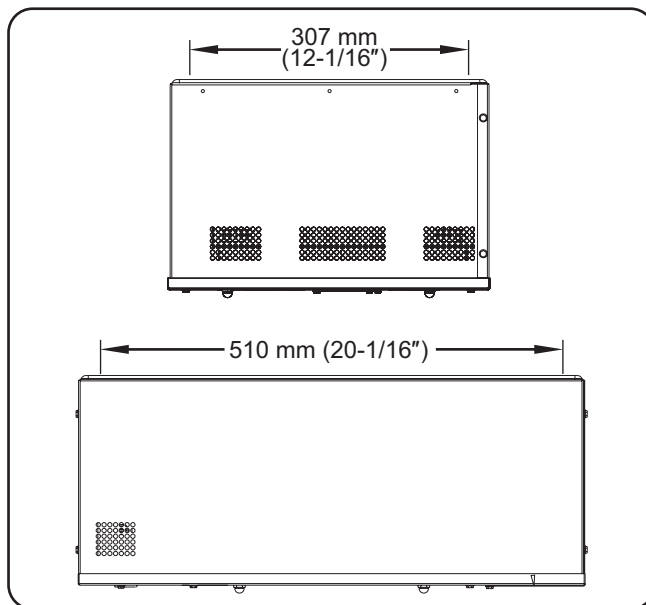


Bacs en acier inoxydable

Support de montage pour unités avec support inférieur

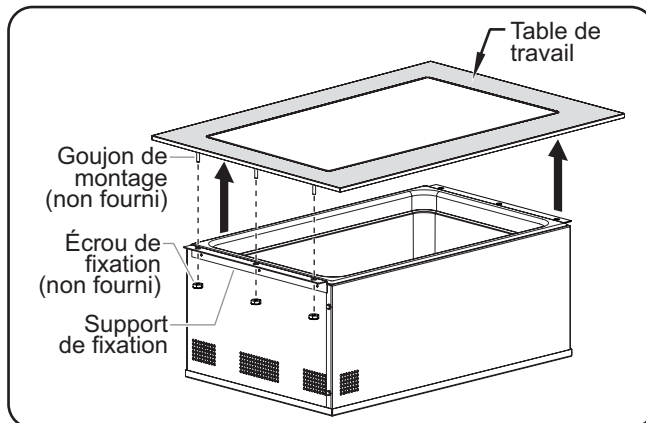
Les supports de montage pour unités avec support inférieur sont des options installées en usine (non adaptables) pour les séries HWBIB. Appliquez la procédure suivante pour installer une unité avec support inférieur en utilisant les supports de montage.

1. Découpez l'ouverture appropriée dans la table de travail. Pour vous aider, utilisez la procédure suivante « Dimensions du panneau intérieur – Modèles HWBIB ».



Dimensions du panneau intérieur – Modèles HWBIB

2. Découpez l'ouverture appropriée pour le boîtier de commande. Reportez-vous à la procédure « Dimensions pour la découpe du boîtier de commande » dans la section INSTALLATION.
3. Marquez l'emplacement pour les goujons de montage en-dessous de la table de travail.
4. Fixez l'unité en-dessous de la table de travail.
 - Appliquez du mastic en silicone sur le bord supérieur du puits avant l'installation.
 - Fixez l'unité à la table de travail en installant les écrous de fixation des goujons de montage dans les 3 orifices de chaque support de fixation.



Installation d'unités avec support inférieur à l'aide des supports de fixation en option

Régulateur de température numérique

Un régulateur de température numérique est uniquement disponible en option pour les unités de puissance standard équipées d'un système de vidange. Utilisez les procédures suivantes pour le fonctionnement d'un puits chauffant équipé d'un thermomètre numérique en option.

Allumage

1. Placez l'interrupteur I/O (Marche/Arrêt) sur la position I (Marche). Le témoin lumineux de l'interrupteur s'allume lorsque l'unité est en marche.

- Le régulateur de température numérique s'amorcera et la température actuelle dans le puits ou « LO » apparaîtra sur l'écran du régulateur. « LO » indique que la température du puits est inférieure à 21°C (70°F).



DANGER DE BRÛLURE: Certaines surfaces extérieures de l'appareil deviennent chaudes. Toucher ces zones de l'appareil avec précaution.

2. Appuyez trois fois sur la touche pour vérifier la température nominale. (Le signe « SP » s'affichera après la deuxième pression.) Consultez le graphique des PARAMÈTRES RECOMMANDÉS sur le panneau de commande ou le GUIDE DE CONSERVATION DES ALIMENTS de ce manuel.

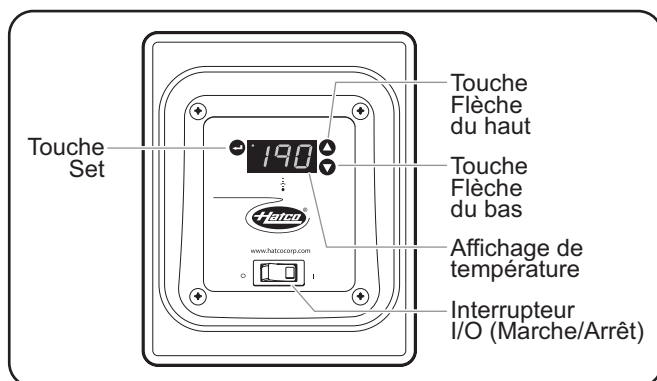
- La température nominale sera affichée pendant dix secondes. Au bout de dix secondes, l'affichage reviendra à la température actuelle de l'appareil. Pour modifier la température nominale, veuillez vous référer à la procédure « Modification de la température nominale » dans cette section.

NOTA: Le régulateur de température numérique est pré-réglé en usine sur une température nominale de 88 °C (190 °F). Une fois le point de réglage de température modifié, le nouveau point de réglage de température reste en mémoire jusqu'à ce qu'il soit de nouveau modifié.

3. Laissez l'unité préchauffer pendant environ 30 minutes.

Arrêt

1. Placez l'interrupteur I/O (Marche/Arrêt) sur O (Arrêt). Le témoin lumineux de l'interrupteur s'éteindra.



Boîtier de commande avec régulateur de température numérique

Modification de la température nominale

Utilisez la procédure suivante pour modifier la température nominale sur le régulateur de température numérique.

1. Appuyez 3 fois sur la touche . La température nominale actuelle s'affichera sur l'écran TEMPÉRATURE (le signe « SP » s'affichera après la deuxième pression).
2. Appuyez sur la touche ou la touche dans un délai de dix secondes pour modifier la température nominale.
3. Appuyez sur la touche pour verrouiller la nouvelle température nominale. L'affichage restera vierge pendant deux secondes puis indiquera que les nouveaux paramètres ont été acceptés.

NOTA: Après dix secondes d'inactivité au cours de la programmation, le régulateur quittera automatiquement le mode programmation sans mémoriser la nouvelle valeur.

Alternance entre l'affichage Fahrenheit et Celsius

Utilisez la procédure ci-après pour alterner entre l'affichage Fahrenheit et Celsius.

1. Appuyez une fois sur la touche . Saisissez « F » pour un affichage en Fahrenheit ou « C » pour un affichage en Celsius.
2. Appuyez sur la touche ou dans les 10 secondes pour alterner entre l'affichage « F » (Fahrenheit) et « C » (Celsius).
3. Appuyez trois fois sur la touche pour verrouiller le nouveau paramètre. L'affichage restera vierge pendant deux secondes puis indiquera que les nouveaux paramètres ont été acceptés.

NOTA: Après dix secondes d'inactivité au cours de la programmation, le régulateur quittera automatiquement le mode programmation sans mémoriser la nouvelle valeur.

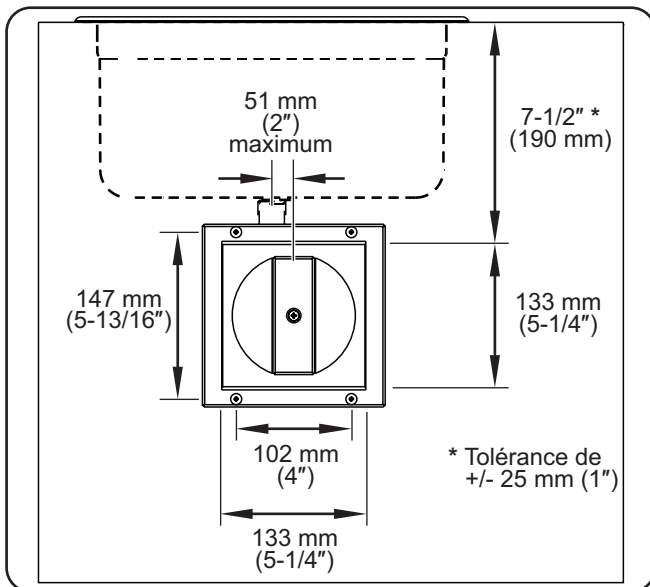
Contrôle WM

Un régulateur WM est disponible en option pour remplacer la plupart des contrôles existants. Ne convient pas aux unités équipées du système de remplissage automatique.

Poignée de vidange à distance

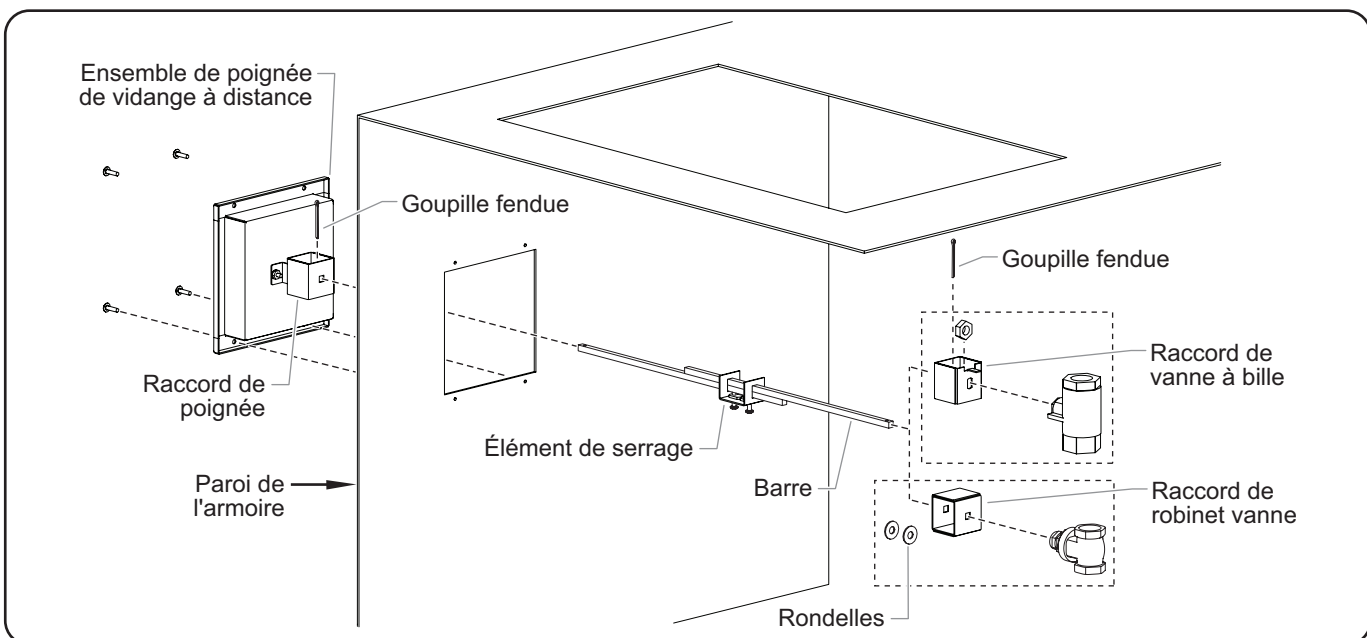
La poignée de vidange à distance est une option permettant une vidange manuelle facile. Suivez la procédure suivante pour installer poignée de vidange montée sur armoire.

1. Installez la poignée de vidange sur l'armoire.
 - Consultez l'illustration « Dimension de découpe pour ensemble de poignée de vidange à distance » ci-dessous pour connaître les dimensions de découpe adaptées.
 - La poignée de vidange doit être située à 51 mm (2") maximum du tuyau de vidange.
 - La distance entre l'avant de l'armoire et le centre de l'orifice de vidange doit être inférieur à 660 mm (26").
 - Utilisez les quatre vis pour fixer solidement la poignée de vidange à l'armoire.



Dimension de découpe pour ensemble de poignée de vidange à distance

2. Retirez la poignée/le bouton du robinet en desserrant l'écrou.
 - Unités avec vanne à bille : Conservez l'écrou pour pouvoir le réutiliser plus tard. La poignée n'est plus nécessaire.
 - Unités avec robinet vanne : Conservez l'écrou pour pouvoir le réutiliser plus tard. Le bouton n'est plus nécessaire.
3. A l'aide de l'écrou conservé à l'étape précédente, installez le raccord de robinet à la place de la poignée du robinet que vous avez retirée.
4. Faites glisser la barre carrée à travers le raccord de poignée (avec la goupille fendue en face).
5. Insérez la goupille fendue dans la barre à l'intérieur du raccord de poignée.
6. Faites glisser l'élément de serrage dans les barres.
7. Faites glisser la barre supérieure dans le raccord de robinet.
 - Unités avec robinet vanne : utilisez deux rondelles à l'intérieur du raccord.
8. Insérez la goupille fendue dans la barre.
9. Placez l'élément de serrage au centre des barres qui se chevauchent, en laissant un espace de 3 mm (1/8") pour permettre un mouvement de va et vient. Serrez les deux vis.
 - Les barres peuvent être installées à une distance maximum de 660 mm (26") depuis l'avant de l'armoire vers le centre de l'orifice de vidange.
10. Écartez les deux extrémités des goupilles fendues pour fixer solidement les barres à l'intérieur du raccord.



Installation d'une poignée de vidange à distance (vue en transparence de l'armoire)

GARANTIE, RECOURS EXCLUSIF :

Hatco Corporation (le Vendeur) garantit que les produits qu'elle fabrique (les Produits) seront exempts de défauts de matériaux et de fabrication dans des conditions d'utilisation et de service normales et lorsqu'ils sont stockés, entretenus et installés en stricte conformité avec les recommandations de l'usine. La seule obligation du vendeur envers la personne ou l'entité qui achète les Produits directement auprès du Vendeur (le Client) dans le cadre de cette garantie est la réparation ou le remplacement par le Vendeur ou un organisme de service autorisé par le Vendeur, à la discrétion du Vendeur, de tout Produit ou de toute pièce de celui-ci jugés défectueux par le Vendeur après examen, pendant : (i) la Durée de la garantie à compter de la date d'expédition par le Vendeur ou (ii) la Durée de la garantie à compter de la date d'enregistrement du Produit conformément aux instructions écrites du Vendeur ; la durée la plus longue s'appliquant. La « Durée de la garantie » désigne les périodes spécifiques énoncées ci-dessous pour des composants spécifiques du Produit ou, si ceux-ci ne sont pas énoncés ci-dessous, une période de dix-huit (18) mois. Le crédit pour les Produits ou les pièces retournés avec l'autorisation écrite préalable du Vendeur sera soumis aux conditions indiquées sur le formulaire d'autorisation de retour de matériel du Vendeur. AUCUN CRÉDIT NE SERA ACCORDÉ POUR LES PRODUITS OU LES PIÈCES RETOURNÉS SANS AUTORISATION ÉCRITE PRÉALABLE DU VENDEUR. Les frais engagés par le Client pour retourner, remplacer ou retirer les Produits ne seront pas remboursés par le Vendeur. Si le défaut est couvert par la garantie limitée, les Produits seront réparés ou remplacés et retournés au Client, et les frais de retour seront payés par le Vendeur. La réparation ou le remplacement prévus dans les présentes est le recours exclusif du client. Toute utilisation inappropriée, modification, réparation, altération, mauvaise application, installation incorrecte, application d'une tension inappropriée, ou toute autre action ou inaction par le Client ou d'autres personnes (y compris l'utilisation de tout organisme de service non autorisé) qui, selon le seul jugement du Vendeur, affecte négativement le Produit annule cette garantie. La garantie expressément prévue dans les présentes ne peut être réclamée que par le Client et non par les clients du Client ou d'autres utilisateurs des Produits ; cependant, si le Client est un revendeur d'équipement autorisé par le Vendeur, le Client peut attribuer la garantie aux clients du Client, sous réserve de toutes les limitations des présentes Conditions, et dans ce cas, la garantie sera exclusivement contrôlée par le Vendeur conformément aux présentes Conditions. CETTE GARANTIE LIMITÉE EST EXCLUSIVE ET REMPLACE TOUTE AUTRE GARANTIE, EXPRESSE OU IMPLICITE, Y COMPRIS, MAIS SANS S'Y LIMITER, TOUTE GARANTIE IMPLICITE D'ABSENCE DE CONTREFAÇON, DE QUALITÉ MARCHANDE OU D'ADÉQUATION À UN USAGE PARTICULIER, QUI EST EXPRESSÉMENT DÉCLINÉE.

Garantie d'un (1) an pour les pièces et la main-d'œuvre, PLUS garantie d'un (1) an supplémentaire pour les pièces uniquement :

- Éléments du grille-pain à convoyeur (enveloppe métallique)
- Éléments des tiroirs chauffants (enveloppe métallique)
- Tiroirs, roues et glissières des tiroirs chauffants
- Éléments du réchaud (enveloppe métallique)
- Éléments de présentation du réchaud (enveloppe métallique, air chauffant)
- Éléments des armoires de stockage (enveloppe métallique, air chauffant)
- Éléments de puits chauffants — séries HW, HWB et HWBI (enveloppe métallique)

Garantie de deux (2) ans pour les pièces et la main-d'œuvre :

- Gammes à induction
- Réchauds à induction

Garantie de remplacement d'un (1) an :

- Grille-pain à éjection TPT

Garantie d'un (1) an pour les pièces et la main-d'œuvre,**PLUS garantie de quatre (4) ans pour les pièces uniquement :**

- Cuves 3CS et FR

Garantie d'un (1) an pour les pièces et la main-d'œuvre, PLUS garantie de neuf (9) ans pour les pièces uniquement :

- Cuves des appareils de chauffage d'appoint électriques
- Cuves des appareils de chauffage d'appoint à gaz

Garantie de quatre-vingt-dix (90) jours pour les pièces uniquement :

- Pièces de rechange

Nonobstant toute disposition contraire des présentes, la garantie limitée des présentes ne couvrira pas, à la seule discrétion du vendeur, les éléments suivants, mais sans s'y limiter : ampoules à incandescence enduites, éclairages fluorescents, ampoules de lampe chauffante, ampoules halogènes enduites, ampoules de lampe chauffante halogène, ampoules au xénon, tubes de lumière DEL, composants en verre et fusibles ; défaillance du Produit au niveau de la cuve d'appoint, de l'échangeur de chaleur à tubes à ailettes ou de tout autre équipement de chauffage de l'eau causée par la formation de calcaire, l'accumulation de sédiments, une attaque chimique ou le gel.

INSTRUCTIONS D'ENREGISTREMENT DE LA GARANTIE:

L'enregistrement du produit doit être soumis dans les 90 jours à compter de la date d'expédition de notre usine pour bénéficier d'une couverture supplémentaire. L'enregistrement peut être soumis via le formulaire sur le site Web du Vendeur, via le formulaire accessible grâce au code QR sur le Produit (le cas échéant) ou en appelant le service client en fournissant les informations requises au: **+1 414 671 6350**.

CLAUSE LIMITATIVE DE RESPONSABILITÉ :

LE VENDEUR NE SERA PAS TENU RESPONSABLE DES DOMMAGES INDIRECTS, ACCESSOIRES, CONSÉCUTIFS, PUNITIFS, EXEMPLAIRES OU DÉTERMINÉS, Y COMPRIS, MAIS SANS S'Y LIMITER, LES MANQUES À GAGNER, LES COÛTS DES PRODUITS DE SUBSTITUTION OU LES FRAIS DE MAIN-D'ŒUVRE RÉSULTANT DE LA VENTE, DE L'UTILISATION OU DE L'INSTALLATION DES PRODUITS, QUE LES PRODUITS SOIENT INCORPORÉS DANS D'AUTRES PRODUITS OU EN DEVIENNENT DES COMPOSANTS, OU DE TOUTE AUTRE CAUSE QUE CE SOIT, FONDÉE SUR UNE GARANTIE (EXPRESSE OU IMPLICITE) OU AUTREMENT FONDÉE SUR UN CONTRAT, UN TORT OU TOUTE AUTRE THÉORIE DE RESPONSABILITÉ, ET INDÉPENDamment DE TOUT CONSEIL OU REPRÉSENTATION QUI AURAIENT PU ÊTRE DONNÉS PAR LE VENDEUR CONCERNANT LA VENTE, L'UTILISATION OU L'INSTALLATION DES PRODUITS, MÊME SI LE VENDEUR EST CONSCIENT DE LA POSSIBILITÉ DE TELS DOMMAGES. EN AUCUN CAS, LA RESPONSABILITÉ GÉNÉRALE DU VENDEUR DÉCOULANT DE CE CONTRAT OU LIÉE À CELUI-CI NE DÉPASSERA LES MONTANTS TOTAUX PAYÉS AU VENDEUR PAR LE CLIENT POUR LES PRODUITS DANS LA PÉRIODE DE TROIS (3) MOIS PRÉCÉDANT IMMÉDIATEMENT L'ÉVÉNEMENT DONNANT LIEU À UNE RÉCLAMATION DU CLIENT. LES LIMITATIONS ÉNONCÉES DANS LES PRÉSENTES CONCERNANT LA RESPONSABILITÉ DU VENDEUR SONT VALABLES ET EXÉCUTOIRES NONOBTANT UN MANQUEMENT À L'OBJECTIF PRINCIPAL DU RECOURS LIMITÉ SPÉCIFIÉ DANS CES CONDITIONS.

Le vendeur se réserve le droit de mettre à jour ces conditions à tout moment, à sa seule discrétion, qui deviennent obligatoires à la date de publication. Pour la version la plus récente de nos conditions de vente complètes, consultez notre site Web à l'adresse : <https://www.hatcocorp.com/terms-of-sale>

AUTHORIZED PARTS DISTRIBUTORS • AUTORISÉS DISTRIBUTEURS DE PIÈCES

ALABAMA

Jones McLeod Appl. Svc.
Birmingham 205-251-0159

ARIZONA

Tech 24
Phoenix 602-234-2443

Byassee Equipment Co.
Phoenix 602-252-0402

CALIFORNIA

Industrial Electric
Commercial Parts & Service, Inc.
Huntington Beach 714-379-7100

Chapman Appl. Service
San Diego 619-298-7106

P & D Appliance
Commercial Parts & Service, Inc.
S. San Francisco 650-635-1900

COLORADO

Hawkins Commercial Appliance
Englewood 303-781-5548

FLORIDA

Whaley Foodservice Repair
Jacksonville 904-725-7800

Whaley Foodservice Repair
Orlando 407-757-0851

B.G.S.I./Heritage
Pompano Beach 954-971-0456

Comm. Appliance Service
Tampa 813-663-0313

GEORGIA

Heritage Service Group
Norcross 866-388-9837

HAWAII

Burney's Comm. Service, Inc.
Honolulu 808-848-1466

Food Equip Parts & Service
Honolulu 808-847-4871

ILLINOIS

Parts Town
Addison 708-865-7278

Eichenauer Elec. Service
Decatur 217-429-4229

Midwest Elec. Appl. Service
Elmhurst 630-279-8000

Cone's Repair Service
Moline 309-797-5323

IOWA

Goodwin Tucker Group
Des Moines 515-262-9308

KENTUCKY

Tech 24
Lexington 859-254-8854

Tech 24
Louisville 502-451-5411

LOUISIANA

Chandlers Parts & Service
Baton Rouge 225-272-6620

MARYLAND

Electric Motor Service
Baltimore 410-467-8080

MASSACHUSETTS

Ace Service Co., Inc.
Needham 781-449-4220

MICHIGAN

Bildons Appliance Service
Detroit 248-478-3320

Commercial Kitchen Service
Bay City 989-893-4561

Midwest Food Equip. Service
Grandville 616-261-2000

MISSOURI

General Parts
Kansas City 816-421-5400

Commercial Kitchen Services
St. Louis 314-890-0700

Kaemmerlen Parts & Service
St. Louis 314-535-2222

NEBRASKA

Anderson Electric
Omaha 402-341-1414

NEVADA

Burney's Commercial
Las Vegas 702-736-0006

Hi. Tech Commercial Service
N. Las Vegas 702-649-4616

NEW JERSEY

Jay Hill Repair
Fairfield 973-575-9145

Service Plus
Flanders 973-691-6300

NEW YORK

Alpro Service Co.
Maspeth 718-386-2515

Duffy's - AIS
Buffalo 716-884-7425

3Wire
Plattsburgh 800-634-5005

Duffy's - AIS
Sauquoit 800-836-1014

J.B. Brady, Inc.
Syracuse 315-422-9271

NORTH CAROLINA

Authorized Appliance
Charlotte 704-377-4501

OHIO

Akron/Canton Comm. Svc. Inc.
Akron 330-753-6634

Tech 24
Cincinnati 513-772-6600

Commercial Parts and Service
Columbus 614-221-0057

Electrical Appl. Repair Service
Brooklyn Heights 216-459-8700

E. A. Wichman Co.
Toledo 419-385-9121

OKLAHOMA

Hagar Rest. Service, Inc.
Oklahoma City 405-235-2184

OREGON

General Parts Group
Portland 503-624-0890

PENNSYLVANIA

Elmer Schultz Services
Philadelphia 215-627-5401

FAST Comm. Appl. Service
Philadelphia 215-288-4800

AIS Commercial Parts and Service
Pittsburgh 412-809-0244

K & D Service Co.
Harrisburg 717-236-9039

Electric Repair Co.
Reading 610-376-5444

RHODE ISLAND

Marshall Electric Co.
Providence 401-331-1163

SOUTH CAROLINA

Whaley Foodservice Repair
Lexington 803-996-9900

TENNESSEE

Camp Electric
Memphis 901-527-7543

TEXAS

Armstrong Repair Service
Houston 713-666-7100

Cooking Equipment Specialist
Mesquite 972-686-6666

Commercial Kitchen Repair Co.
San Antonio 210-735-2811

UTAH

La Monica's Rest. Equip. Service
Murray 801-263-3221

VIRGINIA

Daubers
Norfolk 757-855-4097

Daubers
Springfield 703-866-3600

WASHINGTON

3Wire
Seattle 800-207-3146

WISCONSIN

A.S.C., Inc.
Madison 608-246-3160

A.S.C., Inc.
Milwaukee 414-543-6460

CANADA

ALBERTA

Key Food Equipment Service
Edmonton 780-438-1690

BRITISH COLUMBIA

Key Food Equipment Service
Vancouver 604-433-4484

Key Food Equipment Service
Victoria 250-920-4888

MANITOBA

Air Rite, Inc.
Winnipeg 204-895-2300

NEW BRUNSWICK

EMR Services, Ltd.
Moncton 506-855-4228

ONTARIO

R.G. Henderson Ltd.
Toronto 416-422-5580

Choquette - CKS, Inc.
Ottawa 613-739-8458

QUÉBEC

Choquette - CKS, Inc.
Montreal 514-722-2000

Choquette - CKS, Inc.
Québec City 418-681-3944

UNITED KINGDOM

Marren Group
Northants +44(0)1933 665313

HATCO CORPORATION

P.O. Box 340500

Milwaukee, WI 53234-0500 U.S.A.

414-671-6350

support@hatcocorp.com

www.hatcocorp.com

Register your unit online!

See IMPORTANT OWNER INFORMATION
section for details.

Enregistrez votre appareil en ligne !

Lisez la section INFORMATIONS IMPORTANTES POUR
LE PROPRIÉTAIRE pour plus d'informations.