



**IMPORTANT NOTE:**

Locate the Specification Label on unit to determine exact Model Name and electrical specifications. This information is needed to identify the correct replacement parts. See exploded view illustration(s) for Specification Label location.

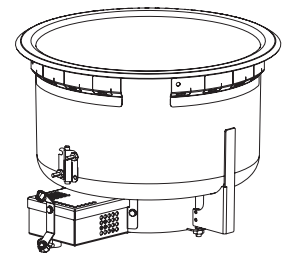
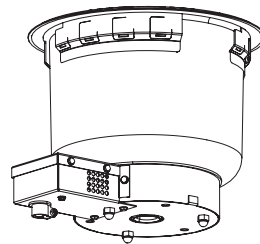
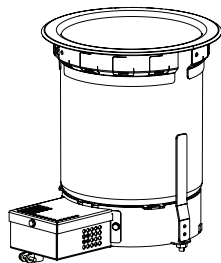
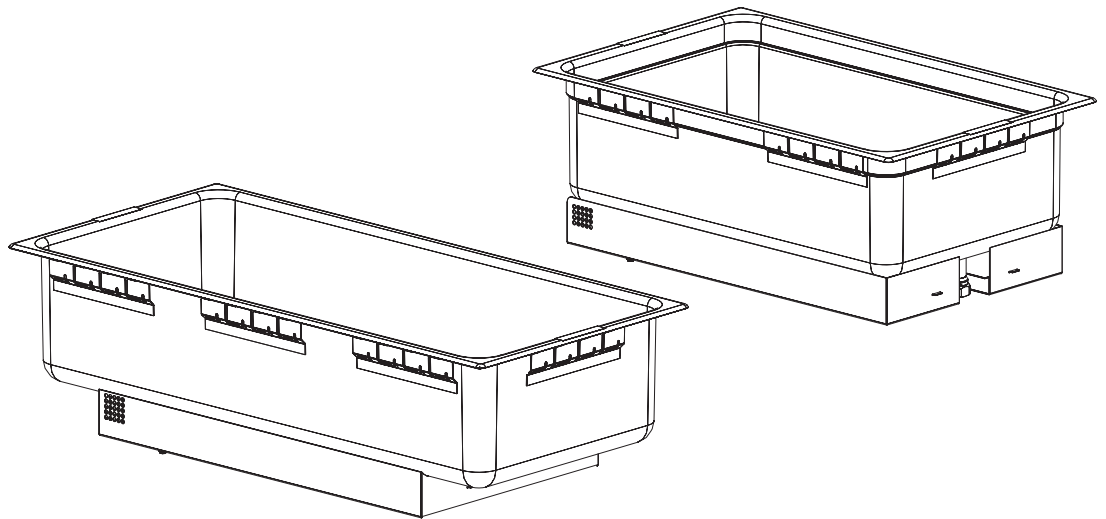


Use of replacement parts other than those supplied by Hatco Corporation will void all warranties and may result in damage to the unit or injury to personnel.

# Built-In Heated Wells

## HWB Series

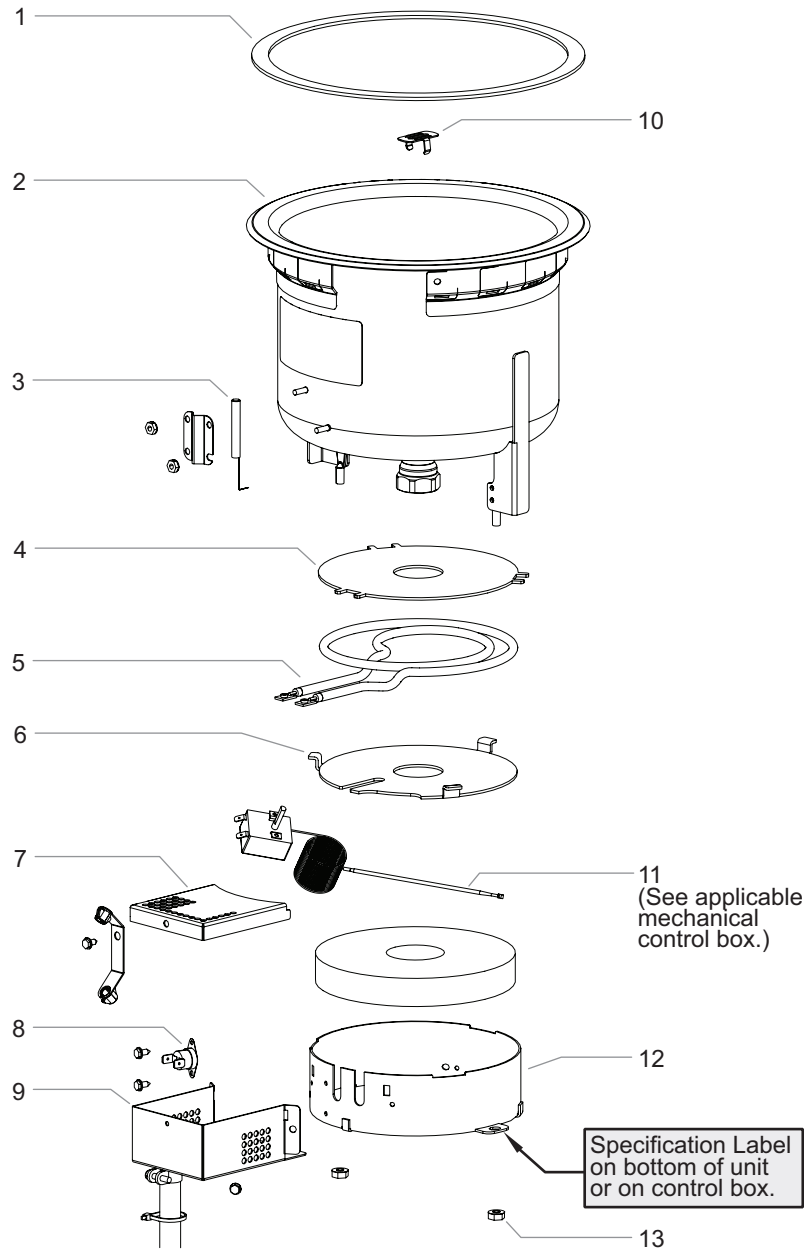
<u>Model Name</u>	<u>Page</u>
HWB-4QT, -7QT, and -11QT .....	2
HWB-FUL and HWB-43 .....	4
HWBI-4QT, -7QT, and -11QT .....	6
Control Boxes .....	8-11



# Replacement Parts List

# Hatco Built-In Heated wells

HWB-4QT, HWB-7QT, and HWB-11QT Models



24 Hour 7 Day Parts and Service Assistance available in the United States and Canada by calling 414-671-6350.

## CAUTION

Use of replacement parts other than those supplied by Hatco Corporation may result in damage to the unit or injury to personnel and will void all warranties.

**Parts for HWB-4QT, HWB-7QT, and HWB-11QT**

Item	Description	Part No.	Qty.
1	Gasket *	05.06.046.00	1
2	Pan Assembly	Contact Factory	
3	Temperature Probe, Digital Control	02.01.145.00	1
4	Heat Sink	04.42.667.00	1
5	Heating Element		
	120 V, 500 W	R02.08.586.01	1
	120 V, 800 W	R02.08.586.02	1
	208/220 V, 536/600 W	R02.08.586.03	1
	240 V, 600 W	R02.08.586.04	1
	208/220 V, 715/800 W	R02.08.586.05	1
	240 V, 800 W	R02.08.586.06	1
6	Element Clamp	04.42.668.00	1
7	Connection Cover	04.42.603.00	1
8	Thermostat, High Limit (infinite switch only)	02.16.140.00	1
9	Connection Bracket	04.42.602.00	1

Item	Description	Part No.	Qty.
10	Strainer	04.42.018.00	
11	Thermostatic Control (Mechanical Control)	See Pgs. 8-11	
12	Element Cover		
	HWB-4QT	04.42.704.00	1
	HWB-7 and -11QT	04.42.619.00	1
13	Nut	05.04.205.00	2
	Wiring Diagram		
	HWB-4, -7, and -11QT	10-01-481	
	HWB-7 and -11QT w/ ITC	10-01-1100	

- Sold by the inch: 36" needed for HWB-4QT and -7QT models; 48" needed for HWB-11QT.

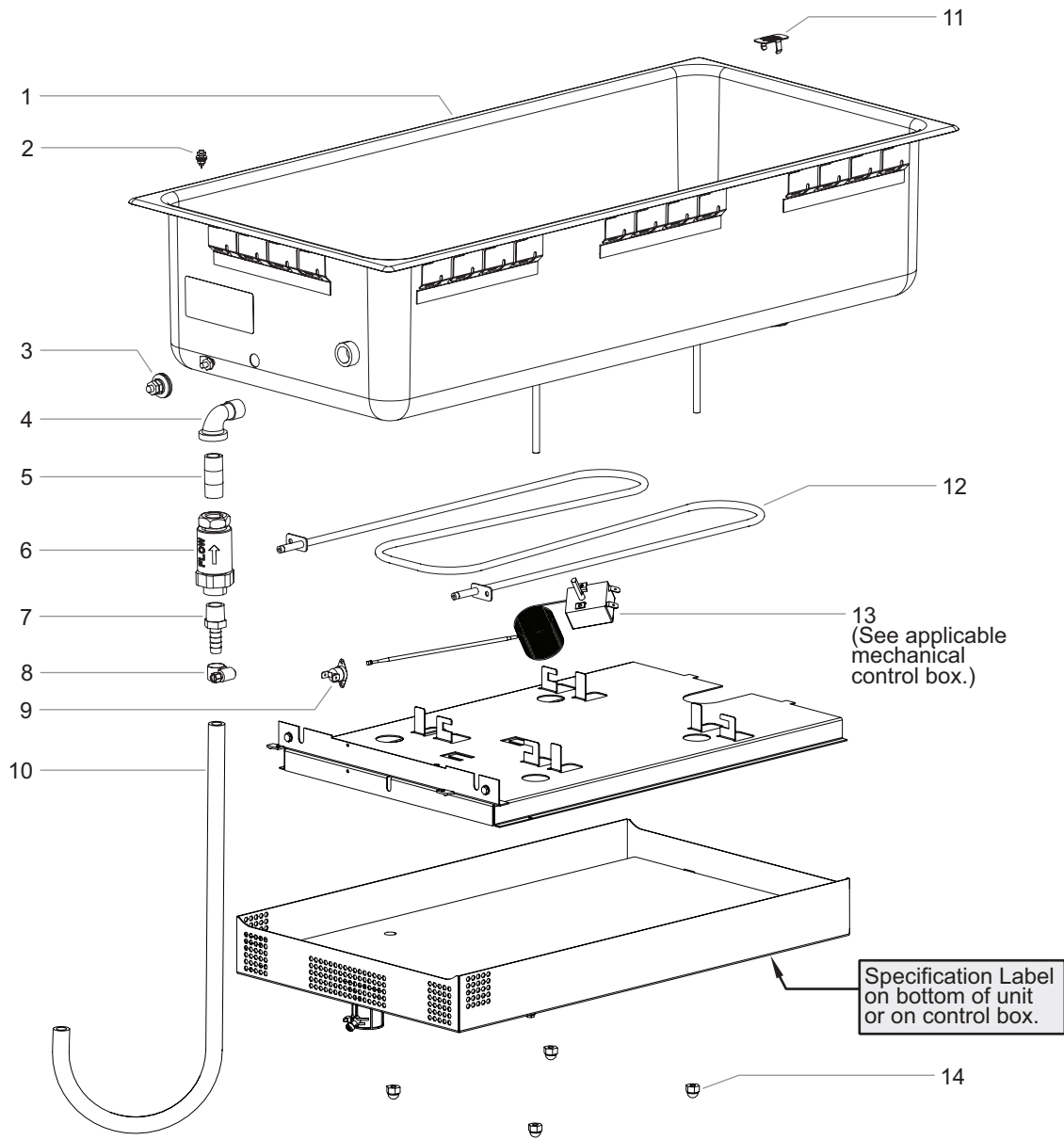
NOTE: The last four digits in a ten digit numerical serial number are the manufacturing date code.

Example: Serial number 9625062231 has a date code of "2231" which indicates the following: 2231



# Hatco Built-In Heated wells

HWB-FUL and HWB-43 Models



24 Hour 7 Day Parts and Service Assistance available in the United States and Canada by calling 414-671-6350.

## CAUTION

Use of replacement parts other than those supplied by Hatco Corporation may result in damage to the unit or injury to personnel and will void all warranties.

### Parts for HWB-FUL

Item	Description	Part No.	Qty.
1	Pan Assembly	Contact Factory	
2	Temperature Probe (Digital Control)	02.01.296.00	1
3	Low Water Sensor Kit †	R00.02.0047.00	1
4	Elbow †	03.08.001.00	1
5	Nipple, Brass †	03.11.004.00	1
6	Valve, Back-Flow Preventer †	03.40.103.00	1
7	Barb, Straight †	03.40.104.00	1
8	Hose Clamp †	05.04.550.00	1
9	Thermostat, High Limit (infinite switch only)	02.16.139.00	1
10	Tubing * †	03.40.107.00	1

\* Sold by the foot—36" and 72" lengths are available.

† Auto-Fill parts only.

Item	Description	Part No.	Qty.
11	Strainer	04.42.018.00	1
12	Heating Element		
	120 V, 750 W	R02.08.581.01	1
	120 V, 1200 W	R02.08.581.02	1
	208 V, 1200 W	R02.08.581.03	1
	240 V, 1200 W	R02.08.581.04	1
	120 V, 1650 W	R02.08.581.05	1
	208 V, 1650 W	R02.08.581.06	1
	240 V, 1650 W	R02.08.581.07	1
	220 V, 1200 W	R02.08.581.08	1
	220 V, 1650 W	R02.08.581.09	1
13	Thermostatic Control (Mechanical Control)	See Pgs. 8–11	
14	Nut	05.04.210.00	3–6
	Wiring Diagram		
	Standard	10-01-481	
	Auto-Fill	10-01-549	

### Parts for HWB-43

Item	Description	Part No.	Qty.
1	Pan Assembly	Contact Factory	
2	Probe, Digital Control	02.01.296.00	1
3	Low Water Sensor Kit †	R00.02.0047.00	1
4	Elbow †	03.08.001.00	1
5	Nipple, Brass †	03.11.004.00	1
6	Valve, Back-Flow Preventer †	03.40.103.00	1
7	Barb, Straight †	03.40.104.00	1
8	Hose Clamp †	05.04.550.00	1
9	Thermostat, High Limit (infinite switch only)	02.16.139.00	1
10	Tubing * †	03.40.107.00	1

\* Sold by the foot—36" and 72" lengths are available.

† Auto-Fill parts only.

Item	Description	Part No.	Qty.
11	Strainer	04.42.018.00	1
12	Heating Element		
	120 V, 750 W	R02.08.715.01	1
	120 V, 1200 W	R02.08.715.02	1
	208 V, 1200 W	R02.08.715.03	1
	240 V, 1200 W	R02.08.715.04	1
	120 V, 1650 W	R02.08.715.05	1
	208 V, 1650 W	R02.08.715.06	1
	240 V, 1650 W	R02.08.715.07	1
	220 V, 1200 W	R02.08.715.08	1
	220 V, 1650 W	R02.08.715.09	1
13	Thermostatic Control (Mechanical Control)	See Pgs. 8–11	
14	Nut	05.04.210.00	3–6
	Wiring Diagram		
	Standard	10-01-481	
	Auto-Fill	10-01-549	

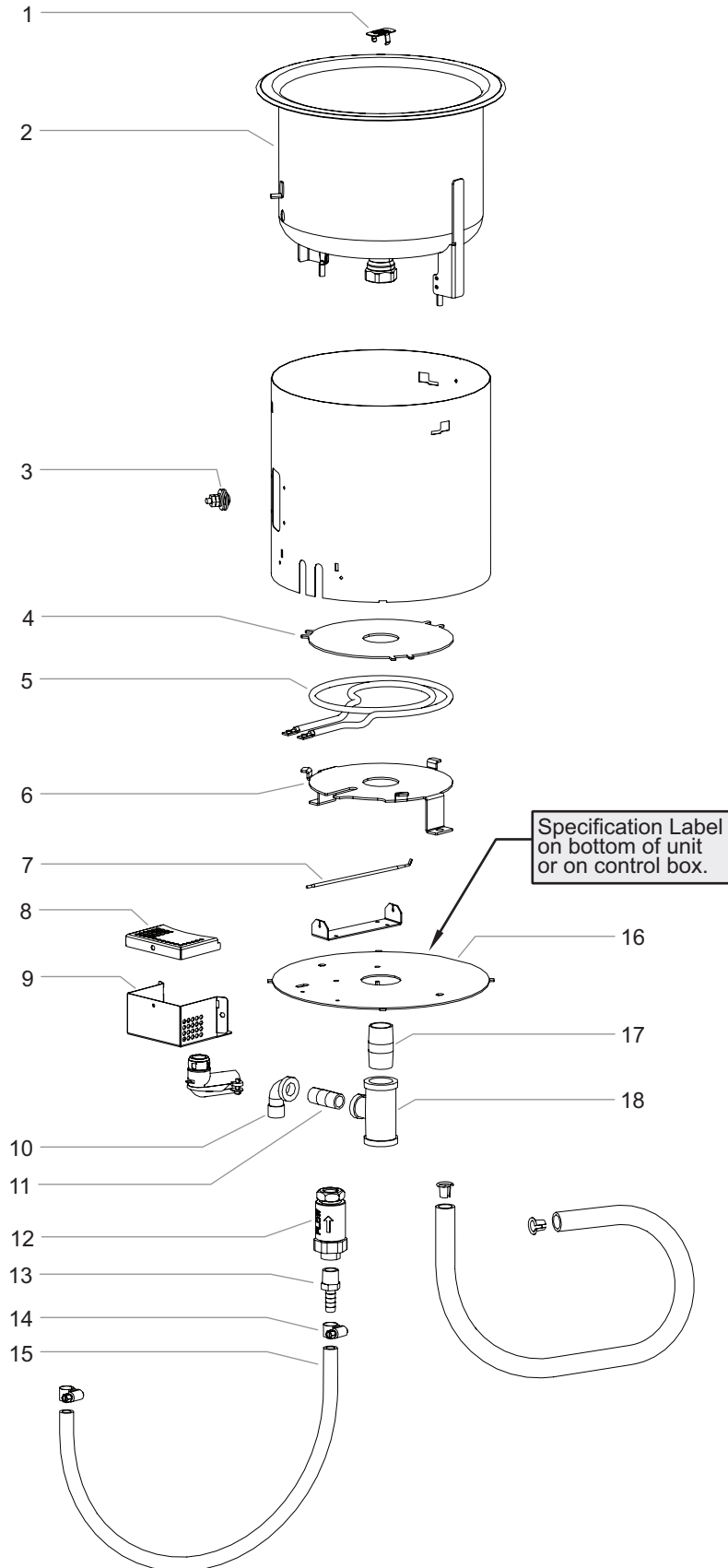
NOTE: The last four digits in a ten digit numerical serial number are the manufacturing date code.

Example: Serial number 9625062231 has a date code of "2231" which indicates the following: 2231

└─ Week Thirty-One  
└─ Year 2022

# Hatco Built-in Insulated Heated Wells

HWBI-4QT, -7QT, and -11QT Models



**Parts for HWBI-4QT, -7QT, and -11QT**

Item	Description	Part No.	Qty.
1	Strainer	04.42.018.00	1
2	Pan Assembly	Contact Factory	1
3	Low Water Sensor Kit †	R00.02.0047.00	1
4	Heat Sink	04.42.667.00	1
5	Heating Element		
	120 V, 500 W	R02.08.586.01	1
	120 V, 800 W	R02.08.586.02	1
	208/220 V, 536/600 W	R02.08.586.03	1
	240 V, 600 W	R02.08.586.04	1
	208/220 V, 715/800 W	R02.08.586.05	1
	240 V, 800 W	R02.08.586.06	1
6	Element Clamp	04.42.668.00	1

\* Sold by the foot—36" and 72" lengths are available.

† Auto-Fill parts only.

Item	Description	Part No.	Qty.
7	Thermostat Probe	02.16.131.00	1
8	Connection Cover	04.42.840.00	1
9	Connection Bracket	04.42.839.00	1
10	Elbow †	03.08.001.00	1
11	Nipple, Brass †	03.11.004.00	1
12	Valve, Back-Flow Preventer †	03.40.103.00	1
13	Barb, Straight †	03.40.104.00	1
14	Hose Clamp †	05.04.550.00	1
15	Tubing * †	03.40.107.00	1
16	Bottom Cover	04.42.934.00	1
17	Nipple, Brass †	03.11.014.00	1
18	Tee Reducer †	03.14.007.00	1
	Wiring Diagram		
	Standard	10-01-481	
	Auto-Fill	10-01-736	

NOTE: The last four digits in a ten digit numerical serial number are the manufacturing date code.

Example: Serial number 9625062231 has a date code of "2231" which indicates the following: 2231

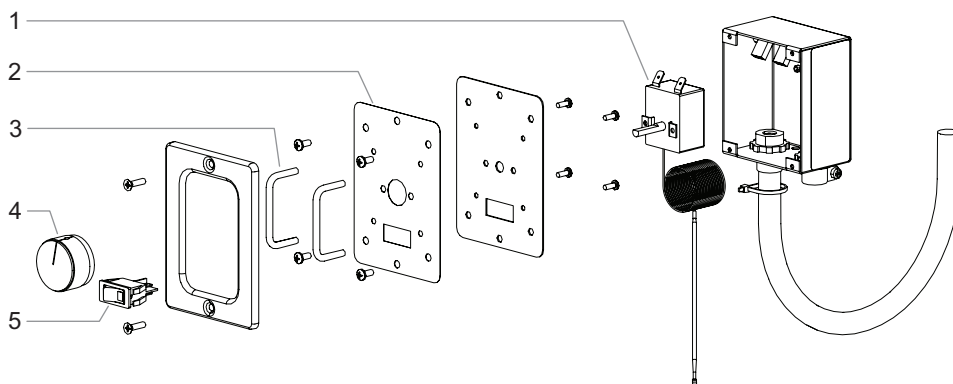


24 Hour 7 Day Parts and Service Assistance available in the United States and Canada by calling 414-671-6350.



Use of replacement parts other than those supplied by Hatco Corporation may result in damage to the unit or injury to personnel and will void all warranties.

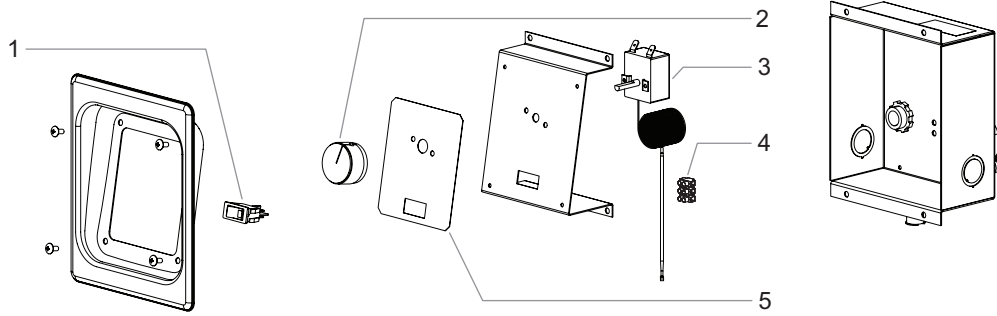
## Parts for Standard Mechanical Control Box



Item	Description	Part No.	Qty.
1	Thermostatic Control, 608°F		
	48" Capillary	<a href="#">02.16.131.00</a>	1
	96" Capillary	<a href="#">02.16.131.01</a>	1
2	Label, Control	<a href="#">07.03.513.00</a>	1
3	Control Guard	<a href="#">04.42.110.00</a>	1

Item	Description	Part No.	Qty.
4	Control Knob	<a href="#">05.30.020.00</a>	1
5	Rocker Switch		
	120 V	<a href="#">02.19.080.00</a>	1
	208, 220, and 240 V	<a href="#">02.19.081.00</a>	1

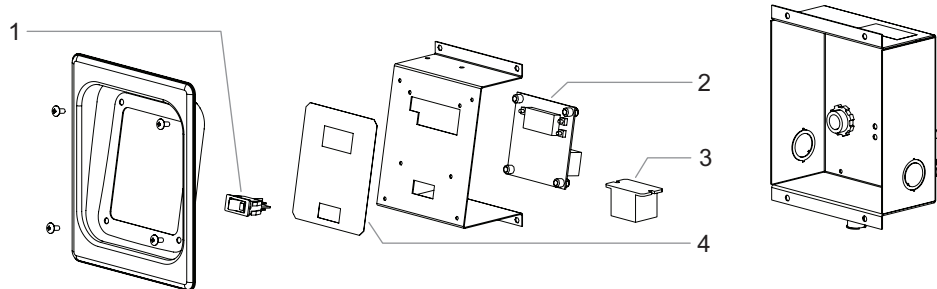
## Parts for Recessed Mechanical Control Box



Item	Description	Part No.	Qty.
1	Rocker Switch 120 V 208, 220, and 240 V	<a href="#">02.19.080.00</a> <a href="#">02.19.081.00</a>	1 1
2	Control Knob	<a href="#">05.30.020.00</a>	1
3	Thermostatic Control, 608°F 48" Capillary 96" Capillary	<a href="#">02.16.131.00</a> <a href="#">02.16.131.01</a>	1 1

Item	Description	Part No.	Qty.
4	Terminal Block	<a href="#">R02.15.030.00</a>	1
5	Label, Control	<a href="#">07.03.494.00</a>	1

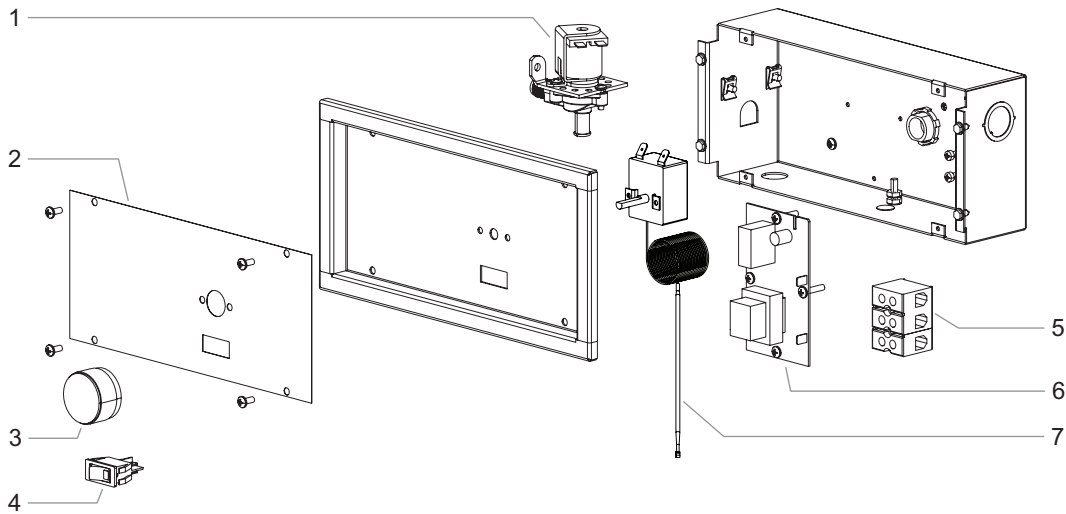
## Parts for Digital Control Box



Item	Description	Part No.	Qty.
1	Rocker Switch 120 V 208, 220, and 240 V	<a href="#">02.19.080.00</a> <a href="#">02.19.081.00</a>	1 1
2	Electronic Control 120 V 208, 220, and 240 V	<a href="#">02.01.222E.00</a> <a href="#">02.01.295E.00</a>	1 1

Item	Description	Part No.	Qty.
3	Relay (120 V only)	<a href="#">02.01.088.00</a>	1
4	Label, Control	<a href="#">07.01.312.00</a>	1

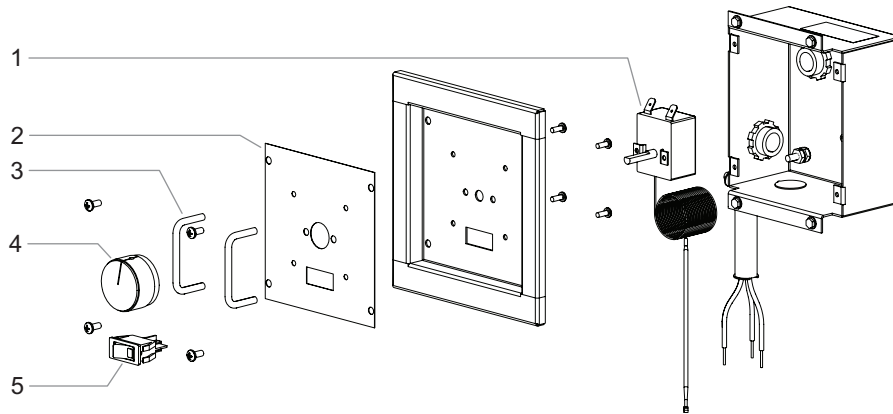
## Parts for Auto-Fill Mechanical Control Box



Item	Description	Part No.	Qty.
1	Solenoid Valve 120 V	03.02.048.00	1
	240 V	03.02.048A.00	1
2	Label, Control	07.03.524.00	1
3	Control Knob	05.30.020.00	1
4	Rocker Switch 120 V	02.19.080.00	1
	240 V	02.19.081.00	1

Item	Description	Part No.	Qty.
5	Terminal Block	R02.15.030.00	1
6	Low Water Control Board	R02.01.210.00	1
7	Thermostatic Control, 608°F 48" Capillary	02.16.131.00	1
	96" Capillary	02.16.131.01	1

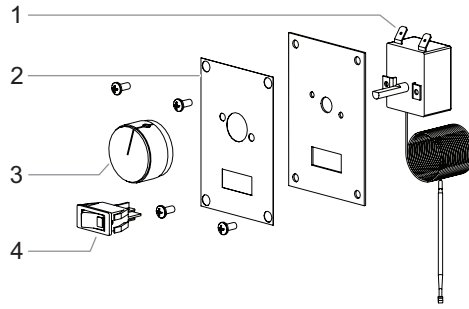
## Parts for WM Mechanical Control Box



Item	Description	Part No.	Qty.
1	Thermostatic Control, 608°F 48" Capillary	02.16.131.00	1
	96" Capillary	02.16.131.01	1
2	Label, Control	07.03.635.00	1
3	Control Guard	04.42.110.00	1

Item	Description	Part No.	Qty.
4	Control Knob	05.30.020.00	1
5	Rocker Switch 120 V	02.19.080.00	1
	208, 220, and 240 V	02.19.081.00	1

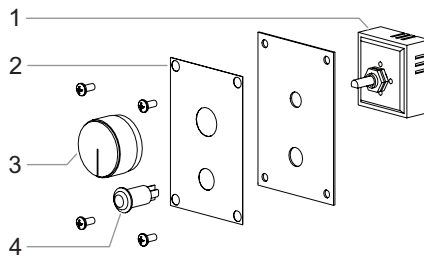
## Parts for UR Thermostatic Control



Item	Description	Part No.	Qty.
1	Thermostatic Control, 608°F 48" Capillary	02.16.131.00	1
	96" Capillary	02.16.131.01	1
2	Label, UR Control	07.03.510.00	1

Item	Description	Part No.	Qty.
3	Control Knob	05.30.020.00	1
4	Rocker Switch 120 V	02.19.080.00	1
	208 V and 220 V	02.19.081.00	1

## Parts for UR Infinite Control



Item	Description	Part No.	Qty.
1	Infinite Switch 120 V	R02.19.018.00	1
	208 V	R02.19.017.00	1
	240 V	R02.19.019.00	1
2	Label, UR Control	07.03.509.00	1

Item	Description	Part No.	Qty.
3	Control Knob	05.30.020.00	1
4	Pilot Light 120 V	02.19.153.00	1
	240 V	02.19.152.00	1

# AUTHORIZED PARTS DISTRIBUTORS • DISTRIBUTEURS DE PIÈCES AUTORISÉS

## ALABAMA

Jones McLeod Appl. Svc.  
Birmingham 205-251-0159

## ARIZONA

Tech 24  
Phoenix 602-234-2443

Byassee Equipment Co.  
Phoenix 602-252-0402

## CALIFORNIA

Industrial Electric  
Commercial Parts & Service, Inc.  
Huntington Beach 714-379-7100

Chapman Appl. Service  
San Diego 619-298-7106

P & D Appliance  
Commercial Parts & Service, Inc.  
S. San Francisco 650-635-1900

## COLORADO

Hawkins Commercial Appliance  
Englewood 303-781-5548

## FLORIDA

Whaley Foodservice Repair  
Jacksonville 904-725-7800

Whaley Foodservice Repair  
Orlando 407-757-0851

B.G.S.I./Heritage  
Pompano Beach 954-971-0456

Comm. Appliance Service  
Tampa 813-663-0313

## GEORGIA

Heritage Service Group  
Norcross 866-388-9837

## HAWAII

Burney's Comm. Service, Inc.  
Honolulu 808-848-1466

Food Equip Parts & Service  
Honolulu 808-847-4871

## ILLINOIS

Parts Town  
Addison 708-865-7278

Eichenauer Elec. Service  
Decatur 217-429-4229

Midwest Elec. Appl. Service  
Elmhurst 630-279-8000

Cone's Repair Service  
Moline 309-797-5323

## IOWA

Goodwin Tucker Group  
Des Moines 515-262-9308

## KENTUCKY

Tech 24  
Lexington 859-254-8854

Tech 24  
Louisville 502-451-5411

## LOUISIANA

Chandlers Parts & Service  
Baton Rouge 225-272-6620

## MARYLAND

Electric Motor Service  
Baltimore 410-467-8080

## MASSACHUSETTS

Ace Service Co., Inc.  
Needham 781-449-4220

## MICHIGAN

Bildons Appliance Service  
Detroit 248-478-3320

Commercial Kitchen Service  
Bay City 989-893-4561

Midwest Food Equip. Service  
Grandville 616-261-2000

## MISSOURI

General Parts  
Kansas City 816-421-5400

Commercial Kitchen Services  
St. Louis 314-890-0700

Kaemmerlen Parts & Service  
St. Louis 314-535-2222

## NEBRASKA

Anderson Electric  
Omaha 402-341-1414

## NEVADA

Burney's Commercial  
Las Vegas 702-736-0006

Hi. Tech Commercial Service  
N. Las Vegas 702-649-4616

## NEW JERSEY

Jay Hill Repair  
Fairfield 973-575-9145

Service Plus  
Flanders 973-691-6300

## NEW YORK

Alpro Service Co.  
Maspeth 718-386-2515

Duffy's - AIS  
Buffalo 716-884-7425

3Wire  
Plattsburgh 800-634-5005

Duffy's - AIS  
Sauquoit 800-836-1014

J.B. Brady, Inc.  
Syracuse 315-422-9271

## NORTH CAROLINA

Authorized Appliance  
Charlotte 704-377-4501

## OHIO

Akron/Canton Comm. Svc. Inc.  
Akron 330-753-6634

Tech 24  
Cincinnati 513-772-6600

Commercial Parts and Service  
Columbus 614-221-0057

Electrical Appl. Repair Service  
Brooklyn Heights 216-459-8700

E. A. Wichman Co.  
Toledo 419-385-9121

## OKLAHOMA

Hagar Rest. Service, Inc.  
Oklahoma City 405-235-2184

## OREGON

General Parts Group  
Portland 503-624-0890

## PENNSYLVANIA

Elmer Schultz Services  
Philadelphia 215-627-5401

FAST Comm. Appl. Service  
Philadelphia 215-288-4800

AIS Commercial Parts and Service  
Pittsburgh 412-809-0244

K & D Service Co.  
Harrisburg 717-236-9039

Electric Repair Co.  
Reading 610-376-5444

## RHODE ISLAND

Marshall Electric Co.  
Providence 401-331-1163

## SOUTH CAROLINA

Whaley Foodservice Repair  
Lexington 803-996-9900

## TENNESSEE

Camp Electric  
Memphis 901-527-7543

## TEXAS

Armstrong Repair Service  
Houston 713-666-7100

Cooking Equipment Specialist  
Mesquite 972-686-6666

Commercial Kitchen Repair Co.  
San Antonio 210-735-2811

## UTAH

La Monica's Rest. Equip. Service  
Murray 801-263-3221

## VIRGINIA

Daubers  
Norfolk 757-855-4097

Daubers  
Springfield 703-866-3600

## WASHINGTON

3Wire  
Seattle 800-207-3146

## WISCONSIN

A.S.C., Inc.  
Madison 608-246-3160

A.S.C., Inc.  
Milwaukee 414-543-6460

## CANADA

### ALBERTA

Key Food Equipment Service  
Edmonton 780-438-1690

### BRITISH COLUMBIA

Key Food Equipment Service  
Vancouver 604-433-4484

Key Food Equipment Service  
Victoria 250-920-4888

### MANITOBA

Air Rite, Inc.  
Winnipeg 204-895-2300

### NEW BRUNSWICK

EMR Services, Ltd.  
Moncton 506-855-4228

### ONTARIO

R.G. Henderson Ltd.  
Toronto 416-422-5580

Choquette - CKS, Inc.  
Ottawa 613-739-8458

### QUÉBEC

Choquette - CKS, Inc.  
Montreal 514-722-2000

Choquette - CKS, Inc.  
Québec City 418-681-3944

## UNITED KINGDOM

Marren Group  
Northants +44(0)1933 665313

### HATCO CORPORATION

P.O. Box 340500

Milwaukee, WI 53234-0500 U.S.A.

414-671-6350

partsandservice@hatcocorp.com

www.hatcocorp.com



24 Hour 7 Day Parts and Service Assistance available in the United States and Canada by calling 414-671-6350.