

hatccorp.com

Register Online!
(see page 2)

S'inscrire en ligne!
(voir page 26)



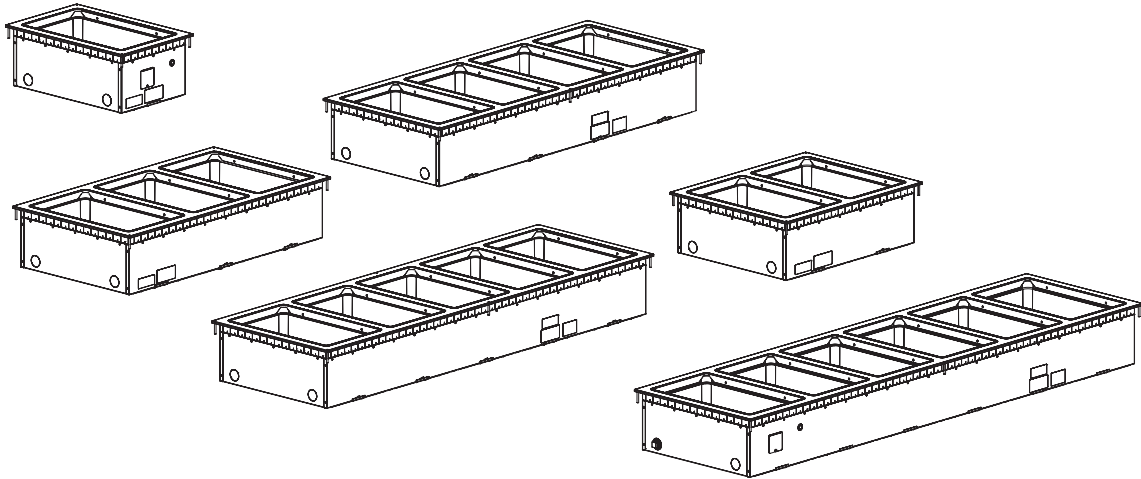
Modular Built-In Insulated Heated Wells

Puits chauffants modulaires intégrés avec isolation

HWBI Series/Série

Installation and Operating Manual

Manuel d'installation et d'utilisation



⚠ WARNING

Do not operate this equipment unless you have read and understood the contents of this manual! Failure to follow the instructions contained in this manual may result in serious injury or death. This manual contains important safety information concerning the maintenance, use, and operation of this product. If you're unable to understand the contents of this manual, please bring it to the attention of your supervisor. Keep this manual in a safe location for future reference.

English = p 2

⚠ ADVERTENCIA

No opere este equipo al menos que haya leído y comprendido el contenido de este manual! Cualquier falla en el seguimiento de las instrucciones contenidas en este manual puede resultar en un serio lesión o muerte. Este manual contiene importante información sobre seguridad concerniente al mantenimiento, uso y operación de este producto. Si usted no puede entender el contenido de este manual por favor pregunte a su supervisor. Almacenar este manual en una localización segura para la referencia futura.

⚠ AVERTISSEMENT

Ne pas utiliser cet équipement sans avoir lu et compris le contenu de ce manuel ! Le non-respect des instructions contenues dans ce manuel peut entraîner de graves blessures ou la mort. Ce manuel contient des informations importantes concernant l'entretien, l'utilisation et le fonctionnement de ce produit. Si vous ne comprenez pas le contenu de ce manuel, veuillez le signaler à votre supérieur. Conservez ce manuel dans un endroit sûr pour pouvoir vous y référer plus tard.

Français = p 26

Important Owner Information	2	Operation	16
Introduction	2	General.....	16
Important Safety Information	3	Maintenance	17
Model Designation	4	General.....	17
Model Description	5	Daily Cleaning.....	17
Specifications	7	Removing Lime and Mineral Deposits.....	17
Dimensions.....	7	Troubleshooting Guide	18
Plug Configurations.....	8	Options and Accessories	19
Water Supply Specifications (Auto-Fill Units).....	8	Limited Warranty	25
Electrical Rating Chart.....	8	Authorized Parts Distributors	Back Cover
Installation	10		
General.....	10		
Countertop Cutout Dimensions.....	12		
Installing a Remote Control Enclosure.....	14		
Connecting a Drain Line.....	15		

IMPORTANT OWNER INFORMATION

Record the model number, serial number, voltage, and purchase date of the unit in the spaces below (specification label located on the side of the unit). Please have this information available when calling Hatco for service assistance.

Model No. _____

Serial No. _____

Voltage _____

Date of Purchase _____

Register your unit!

Completing online warranty registration will prevent delay in obtaining warranty coverage. Access the Hatco website at www.hatcocorp.com, select the Support pull-down menu, and click on "Warranty".

Business Hours: 7:00 AM to 5:00 PM Monday-Friday, Central Time (CT)
(Summer Hours: June to September— 7:00 AM to 5:00 PM Monday-Thursday 7:00 AM to 4:00 PM Friday)

Telephone: 800-558-0607; 414-671-6350

E-mail: support@hatcocorp.com



24 Hour 7 Day Parts and Service Assistance available in the United States and Canada by calling 800-558-0607.

Additional information can be found by visiting our web site at www.hatcocorp.com.

INTRODUCTION

Hatco Modular Built-In Heated Wells are specially designed to hold heated foods at safe serving temperatures. Designed for dry or wet applications, the wells are available in a variety of pan combinations — all heated with a long-life heating element that is covered by a 2 year part warranty. The metal sheathed heating element is controlled by a remote thermostat. Heat is distributed evenly throughout the heavy gauge stainless steel construction to ensure hot food. The design allows for easy maintenance and durable performance. Standard units are UL approved and equipped with a remote control enclosure.

Units are equipped with EZ lock mounting hardware, mounting studs, or pre-drilled mounting holes. Controls include individual lighted power switches and thermostat controls that retain temperature settings. One year parts and on-site labor warranty is standard.

Hatco Modular Built-In Heated Wells are a product of extensive research and field testing. The materials used were selected for maximum durability, attractive appearance, and optimum performance. Every unit is inspected and tested thoroughly prior to shipment.

This manual provides the installation, safety, and operating instructions for the Modular Built-In Heated Wells. Hatco recommends all installation, operating, and safety instructions appearing in this manual be read prior to installation or operation of the unit.

Safety information that appears in this manual is identified by the following signal word panels:



WARNING indicates a hazardous situation which, if not avoided, could result in death or serious injury.



CAUTION indicates a hazardous situation which, if not avoided, could result in minor or moderate injury.



NOTICE is used to address practices not related to personal injury.



Read the following important safety information before using this equipment to avoid serious injury or death and to avoid damage to equipment or property.

WARNING

ELECTRIC SHOCK HAZARD:

- Turn power switch OFF, disconnect unit from power source, and allow unit to cool before performing any maintenance or cleaning.
- DO NOT submerge or saturate with water. Unit is not waterproof. Do not operate if unit has been submerged or saturated with water.
- Unit is not weatherproof. Locate unit indoors where ambient air temperature is a minimum of 70°F (21°C).
- Remote control enclosure must be mounted on vertical wall and installed in vertical position. Mounting remote control enclosure in horizontal position may result in collection of liquids and lead to electric shock.
- Operating voltage of remote control enclosure water valve exceeds 50 V (extra low voltage). Enclosure is marked with the following hazard identification symbol:
- DO NOT use unit to melt or hold ice. Doing so may cause condensation, creating an electrical hazard and causing personal injury and/or damage to unit. Damage caused by condensation is not covered by warranty.
- For non auto-fill units, turn off unit when filling with water and avoid splashing.
- Do not clean unit when it is energized or hot.
- This unit is not “jet-proof” construction. Do not use jet-clean spray to clean this unit.
- This unit must be serviced by qualified personnel only. Service by unqualified personnel may lead to electric shock or burn.
- Use only Genuine Hatco Replacement Parts when service is required. Failure to use Genuine Hatco Replacement Parts will void all warranties and may subject operators of the equipment to hazardous electrical voltage, resulting in electrical shock or burn. Genuine Hatco Replacement Parts are specified to operate safely in the environments in which they are used. Some aftermarket or generic replacement parts do not have the characteristics that will allow them to operate safely in Hatco equipment.

FIRE HAZARD:

- Install unit with a minimum of 3-1/2" (89 mm) of space from bottom of unit to all combustible surfaces to prevent combustion.
- Unit must be installed using ribbon putty gasket between the unit and the installation surface per installation instructions (refer to the INSTALLATION section of this manual).
- Do not use flammable cleaning solutions to clean this unit.

This unit must be installed by qualified, trained installers. Installation must conform to all local electrical and plumbing codes. Check with local plumbing and electrical inspectors for proper procedures and codes.

This unit is not intended for use by children or persons with reduced physical, sensory, or mental capabilities. Ensure proper supervision of children and keep them away from unit.

WARNING

Make sure all operators have been instructed on the safe and proper use of unit.

Make sure food product has been heated to the proper food-safe temperature before placing in the unit. Failure to heat food product properly may result in serious health risks. This unit is for holding pre-heated food product only.

Hatco Corporation is not responsible for actual food product serving temperature. It is the responsibility of the user to ensure that food product is held and served at a safe temperature.

This unit has no “user-serviceable” parts. If service is required on this unit, contact an Authorized Hatco Service Agent or contact the Hatco Service Department at 800-558-0607 or 414-671-6350.

CAUTION

BURN HAZARD:

- Some exterior surfaces on unit will get hot. Use caution when touching these areas.
- Drain water may reach temperatures in excess of 200°F (93°C). Use appropriate plumbing materials when installing drain.
- DO NOT clean unit while it contains any food product. Remove food product and allow unit to cool completely before cleaning.

Locate unit at proper counter height in an area that is convenient for use. The location should be strong enough to support the weight of unit and contents.

Auto-Fill units must be installed with adequate backflow protection and must conform with all federal, state, and local codes.

NOTICE

Auto-fill units supplied with water from a reverse osmosis (RO) system (or similar water filtration system) must be installed with an operating remineralization system to ensure proper operation. Failure to do so may cause unit to overflow. Damage caused by overflowing is not covered under warranty.

Units are voltage-specific. Refer to specification label for electrical requirements before beginning installation.

Standard and approved manufacturing oils may smoke up to 30 minutes during initial startup. This is a temporary condition. Operate unit without food product until smoke dissipates.

Do not locate unit in an area subject to excessive temperatures or grease from grills, fryers, etc. Excessive temperatures could cause damage to unit.

Unit is designed and recommended for use in or on metallic countertops. Damage to any countertop material is not covered under the Hatco warranty. For other surfaces, verify with manufacturer that material is suitable for prolonged temperatures up to 200°F (93°C).

NOTICE

Do not use steel wool or metal scouring pad for cleaning. Steel wool will scratch the finish.

Use non-abrasive cleaners and cloths only. Abrasive cleaners and cloths could scratch finish of unit, marring its appearance and making it susceptible to soil accumulation.

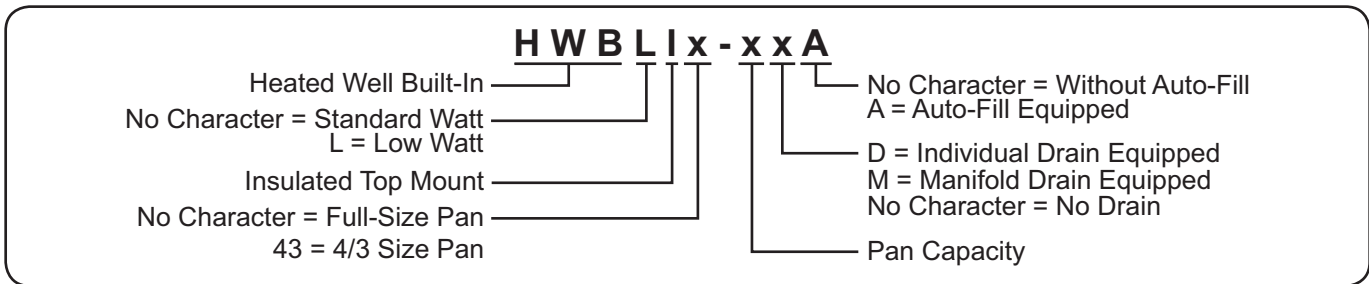
Do not use harsh chemicals such as bleach, cleaners containing bleach, or oven cleaners to clean this unit. Damage caused by chemicals is not covered by warranty.

NOTICE

Unit must be allowed to cool down to room temperature before changing from wet-to-dry or dry-to-wet operation. Allowing unit to run dry during wet operation or adding water during dry operation will damage unit.

Drain sealants must have temperature rating of 500°F (260°C) or higher. Incoming water pipes must be FDA compliant for potable water.

MODEL DESIGNATION



All Models

All Modular Built-In Heated Well units are reliable and versatile. Each unit has an insulated, stainless steel and aluminized steel housing with a metal sheathed heating element available in low or standard wattage. The heating element is controlled with a thermostatic temperature control and a lighted POWER ON/OFF switch housed in a remote control enclosure. The remote control enclosure is connected to the unit with a 6' (1829 mm) flexible conduit assembly. Modular Built-In Heated Wells are hardwired directly to a power source for a secure and cord-free serving area.

All models are equipped with EZ locking hardware and designed to be mounted to the topside of a non-combustible countertop. Modular Built-In Heated Wells are designed, manufactured, and tested to maintain safe food holding temperatures.

HWBI-1, -2, -3, -4, -5, and -6 Models

HWBI models are capable of holding a variety of pan combinations in each heated well.

- One full size pan
- Two 1/2-size pans with adapter bars.
- Three 1/3-size pans with adapter bars.
- Six 1/6-size pans with adapter bars.
- Two 7 quart round pans with adapter top.
- Three 4 quart round pans with adapter top.

Food Pans, Pan Support Bars, and Adapter Tops sold separately (refer to the OPTIONS AND ACCESSORIES section in this manual).

HWBI-1D, 2D, -3D, -4D, -5D, and -6D Models

HWBI-XD models have the same capabilities as the HWBI-X models but are equipped with a separate drain in each well. Each drain includes a 3/4" NPT drain fitting and a flat drain screen that allows for pans to stay level for consistent temperatures.

HWBI-1DA, -2DA, -3DA, -4DA, -5DA, and -6DA Models

HWBI-XDA models have the same capabilities as the HWBI-XD models but are also equipped with the Auto-Fill feature.

NOTE: Auto-Fill will fill only the left-hand well. To fill all wells, drains must be connected to a manifold.

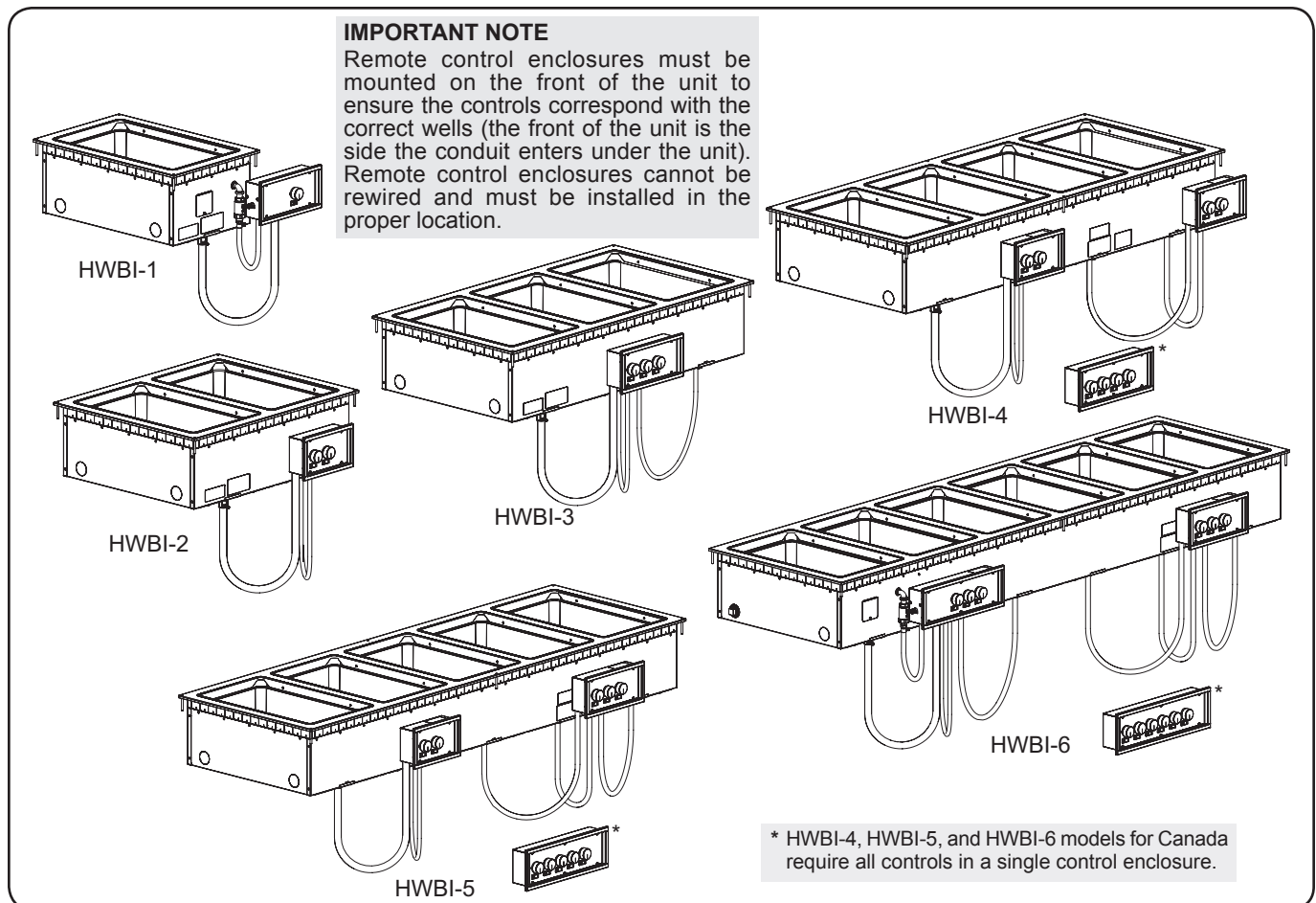
HWBI-2M, -3M, -4M, -5M, and -6M Models

HWBI-XM models have the same capabilities as the HWBI-X models but are equipped with a manifold drain assembly. The manifold drain assembly is equipped with a 1" NPT drain fitting. Each well connected to the manifold drain assembly includes a flat drain screen that allows for pans to stay level for consistent temperatures.

HWBI-2MA, -3MA, -4MA, -5MA, and -6MA Models

HWBI-XMA models have the same capabilities as the HWBI-XM models but are also equipped with the Auto-Fill feature.

NOTE: HWBI-4, HWBI-5, and HWBI-6 models for Canada have all controls in a single control enclosure.



HWBI43-1, -2, -3, -4, -5, and -6 Models

HWBI43-X models are capable of holding a variety of pan combinations listed below.

- One full size pan and one 1/3 size pan with adapter bar.
- Four 1/3 size pans with adapter bars.
- Two 1/2 size pans and one 1/3 size pan with adapter bars.
- Two 11 quart (10 L) round pans with adapter top.

Pans, Covers, Adapter Bars, and Adapter Tops sold separately (see the OPTIONS AND ACCESSORIES section for details).

HWBI43-1D, -2D, -3D, -4D, -5D, and -6D Models

HWBI-43-XD models have the same capabilities as the HWBI43-X but with a separate drain in each well. The drain includes a 3/4" NPT drain fitting and flat drain screen that allows for pans to stay level for consistent temperatures.

HWBI43-1DA, -2DA, -3DA, -4DA, -5DA, and -6DA Models

HWBI43-XDA models have the same capabilities as the HWBI43-XD but with the optional Auto-Fill feature. The Auto-Fill feature fills and maintains the proper level of water in the well automatically.

NOTE: Auto-Fill will fill only the left-hand well. To fill all wells, drains must be connected to a manifold.

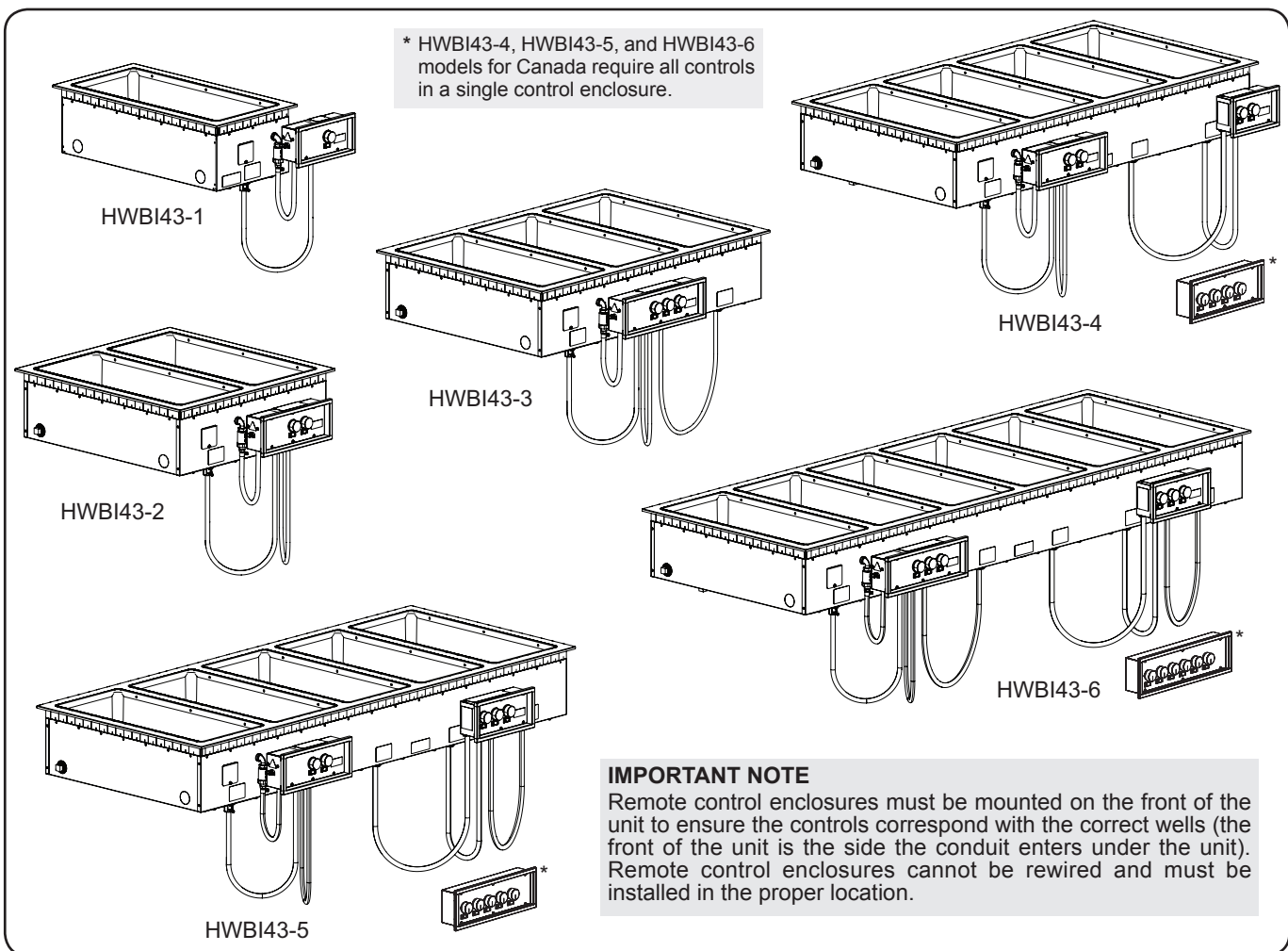
HWBI43-2M, -3M, -4M, -5M, and -6M Models

HWBI43-XM models have the same capabilities as the HWBI43-X models but are equipped with a manifold drain assembly. The manifold drain assembly is equipped with a 1" NPT drain fitting. Each well connected to the manifold drain assembly includes a flat drain screen that allows for pans to stay level for consistent temperatures.

HWBI43-2MA, -3MA, -4MA, -5MA, and -6MA Models

HWBI43-XMA models have the same capabilities as the HWBI43-XM models but are also equipped with the Auto-Fill feature.

NOTE: HWBI43-4, HWBI43-5, and HWBI43-6 models for Canada have all controls in a single control enclosure.



HWBI43 Models

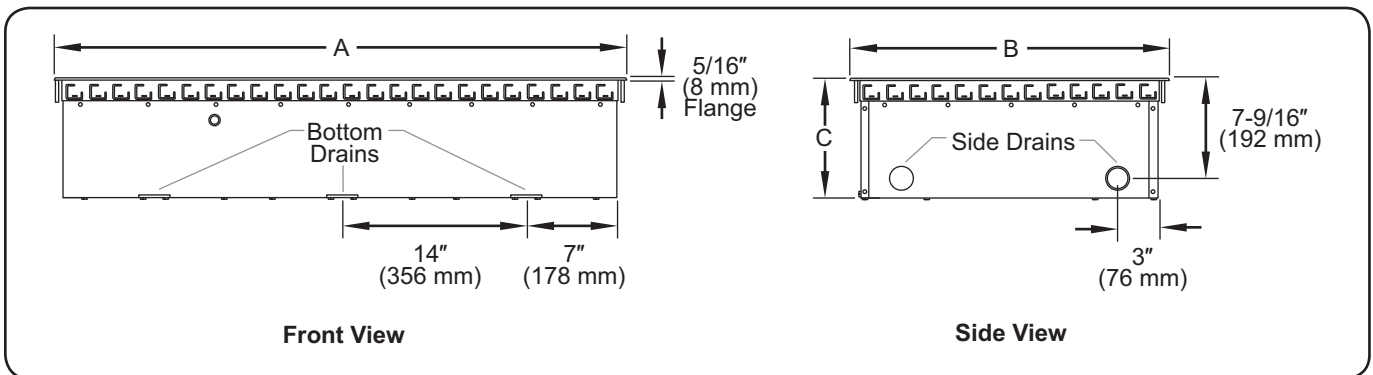
Dimensions - HWBI-X Models

Model	Width (A)	Depth (B)*	Height (C)
HWBI-1	15-1/2" (394 mm)	23-5/8" (600 mm)	9-5/8" (244 mm)
HWBI-2	29-1/2" (749 mm)	23-5/8" (600 mm)	9-5/8" (244 mm)
HWBI-3	43-1/2" (1105 mm)	23-5/8" (600 mm)	9-5/8" (244 mm)
HWBI-4	57-1/2" (1461 mm)	23-5/8" (600 mm)	9-5/8" (244 mm)
HWBI-5	71-1/2" (1816 mm)	23-5/8" (600 mm)	9-5/8" (244 mm)
HWBI-6	85-1/2" (2172 mm)	23-5/8" (600 mm)	9-5/8" (244 mm)

Dimensions - HWBI43-X Models

Model	Width (A)	Depth (B)*	Height (C)
HWBI43-1	15-1/2" (394 mm)	30-3/8" (772 mm)	9-5/8" (244 mm)
HWBI43-2	29-1/2" (749 mm)	30-3/8" (772 mm)	9-5/8" (244 mm)
HWBI43-3	43-1/2" (1105 mm)	30-3/8" (772 mm)	9-5/8" (244 mm)
HWBI43-4	57-1/2" (1461 mm)	30-3/8" (772 mm)	9-5/8" (244 mm)
HWBI43-5	71-1/2" (1816 mm)	30-3/8" (772 mm)	9-5/8" (244 mm)
HWBI43-6	85-1/2" (2172 mm)	30-3/8" (772 mm)	9-5/8" (244 mm)

* Units with over-sized bezel option have a Depth (B) of 27" (686 mm).



SPECIFICATIONS

Plug Configurations

Some units are supplied from the factory with an electrical cord and plug installed. Plugs are supplied according to the application. Refer to the OPTIONS AND ACCESSORIES section for more information.

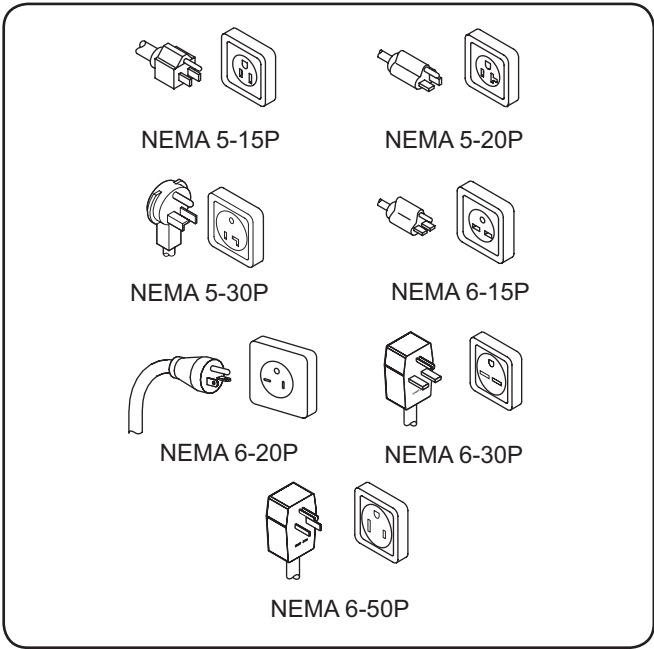


ELECTRIC SHOCK HAZARD: Plug unit into a properly grounded electrical receptacle of the correct voltage, size, and plug configuration. If plug and receptacle do not match, contact a qualified electrician to determine and install proper voltage and size electrical receptacle.

NOTE: Specification label located on side of the unit. See label for serial number and verification of unit electrical information.

Water Supply Specifications (Auto-Fill Units)

	Minimum	Maximum
Water Pressure	25 psi (172 kPa)	100 psi (689 kPa)
Water Temperature	35°F (2°C)	110°F (43°C)



Plug Configurations

NOTE: Receptacle not supplied by Hatco.

Electrical Rating Chart

Model	Voltage	Circuit	Watts	Amps	Phase	Plug Configuration	Shipping Weight*
HWBLI-1	120	1	750	6.3	1	NEMA 5-15P	38 lbs. (17 kg)
HWBI-1 and HWBI43-1**	120		1215	10.1		NEMA 6-15P	
	208		1215	5.8			
	240		1215	5.1			
	220–230	1	1215–1328	5.5–5.8	1	N/A	38 lbs. (17 kg)
	230–240		1116–1215	4.9–5.1			
HWBLI-2	120	1	1500	12.5	1	NEMA 5-20P	73 lbs. (33 kg)
HWBI-2 and HWBI43-2	208		2415	11.6		NEMA 6-15P	
			2415	10.1		N/A	
			2415	10.1		NEMA 6-15P	
			2415	8.7		N/A	
	220–230	1	2415–2640	11.0–11.5	1	N/A	73 lbs. (33 kg)
230–240	2218–2415		9.6–10.1				
HWBLI-3	120	1	2250	18.8	1	NEMA 5-30P	103 lbs. (47 kg)
HWBI-3 and HWBI43-3	208		3615	17.4		NEMA 6-30P	
			3615	10.1		N/A	
			3615	15.1		NEMA 6-20P	
			3615	8.8		N/A	
			220–230	1		3615–3951	
230–240	3320–3615	14.4–15.1					

The shaded areas contain electrical information for **International models only**.

NOTE: Shipping weight includes packaging.

* Add 3 lbs. (1.4 kg) for “D” and “DA” models.

** Model HWBI43-1 not available in 120V.



Electrical Rating Chart (Continued)

Model	Voltage	Circuit	Watts	Amps	Phase	Plug Configuration	Shipping Weight*
HWBLI-4	120	1	3000	25.0	1	N/A	132 lbs. (60 kg)
HWBI-4 and HWBI43-4	208 ‡	1	2415	11.6	1		
		2	2400	11.5	1		
	208	1	4815	15.8	3		
240 ‡	1	2415	10.1	1			
	2	2400	10.0	1			
240	1	4815	13.7	3			
208 †	1	4815	23.1	1	NEMA 6-30P		
			15.8	3	N/A		
240 †	1	4815	20.1	1	NEMA 6-30P		
			13.7	3	N/A		
220–230 ‡	1	2	2415–2639	11.0–11.5	1	N/A	132 lbs. (60 kg)
			2400–2623	10.9–11.4	1		
230–240 ‡	1	2	2218–2415	9.6–10.1	1		
			2204–2400	9.6–10.0	1		
HWBLI-5	120	1	3750	31.3	1	N/A	167 lbs. (76 kg)
HWBI-5 and HWBI43-5	208 ‡	1	2415	11.6	1		
		2	3600	17.3	1		
	208	1	6015	20.1	3		
240 ‡	1	2415	10.1	1			
	2	3600	15.0	1			
240	1	6015	17.4	3			
208 †	1	6015	28.9	1	NEMA 6-50P		
			20.1	3	N/A		
240 †	1	6015	25.1	1	NEMA 6-50P		
			17.4	3	N/A		
220–230 ‡	1	2	2415–2640	11.0–11.5	1	N/A	167 lbs. (76 kg)
			3600–3935	16.4–17.1	1		
230–240 ‡	1	2	2218–2415	9.6–10.1	1		
			3306–3600	14.4–15.0	1		
HWBLI-6	120	1	4500	37.5	1	N/A	190 lbs. (86 kg)
HWBI-6 and HWBI43-6	208 ‡	1	3615	17.4	1		
		2	3600	17.3	1		
	208	1	7215	20.1	3		
240 ‡	1	3615	15.1	1			
	2	3600	15.0	1			
240	1	7215	17.4	3			
208 †	1	7215	34.7	1	NEMA 6-50P		
			20.1	3	N/A		
240 †	1	7215	30.1	1	NEMA 6-50P		
			17.4	3	N/A		
220–230 ‡	1	2	3615–3951	16.5–17.2	1	N/A	190 lbs. (86 kg)
			3600–3934	16.4–17.1	1		
230–240 ‡	1	2	3320–3615	14.4–15.1	1		
			3306–3600	14.4–15.0	1		

† Canadian unit with single remote control enclosure.

‡ Unit with multiple circuit connections. Each circuit requires a separate circuit breaker.

General

Modular Built-In Heated Well units are shipped from the factory with most components assembled and ready for use. Use the following procedures to install the unit.

NOTE: All Modular Built-In Heated Wells require the control enclosure to be remote mounted.

NOTE: Make sure the installation location provides enough room for the remote mounted control enclosure, electrical connections, and plumbing connections.



WARNING

ELECTRIC SHOCK HAZARD: Unit is not weatherproof. Locate unit indoors where ambient air temperature is a minimum of 70°F (21°C).

FIRE HAZARD:

- Install unit with a minimum of 3-1/2" (89 mm) of space from bottom of unit to all combustible surfaces to prevent combustion.
- Unit must be installed using ribbon putty gasket between the unit and the installation surface per installation instructions.

This unit must be installed by qualified, trained installers. Installation must conform to all local electrical and plumbing codes. Check with local plumbing and electrical inspectors for proper procedures and codes.



CAUTION

Locate unit at proper counter height in an area that is convenient for use. The location should be strong enough to support the weight of unit and contents.



NOTICE

Do not locate unit in an area subject to excessive temperatures or grease from grills, fryers, etc. Excessive temperatures could cause damage to the unit.

Unit is designed and recommended for use in or on metallic countertops. Damage to any countertop material is not covered under the Hatco warranty. For other surfaces, verify with manufacturer that material is suitable for prolonged temperatures up to 200°F (93°C).

1. Remove the unit from the box.

NOTE: To prevent delay in obtaining warranty coverage, complete online warranty registration. See the IMPORTANT OWNER INFORMATION section for details.

2. Remove tape and protective packaging from all surfaces of unit.

NOTE: A qualified electrician should connect the unit(s) to a power source. A qualified plumber should connect the water supply and drain(s).

3. Install the unit in the desired location. Use the appropriate procedure in this section for the style of mounting chosen at order.

NOTE: HWBI43 models can be installed using the EZ Locking Mounting System only.

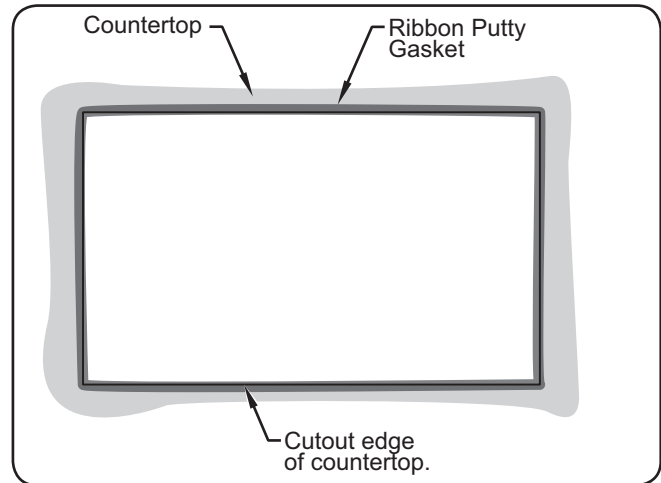
4. Install the remote control enclosure (refer to the "Installing a Remote Control Enclosure" procedure later in this section).

EZ Locking Mounting System

NOTE: Cut the opening for both the unit and the control enclosure(s) before placing unit into the countertop opening.

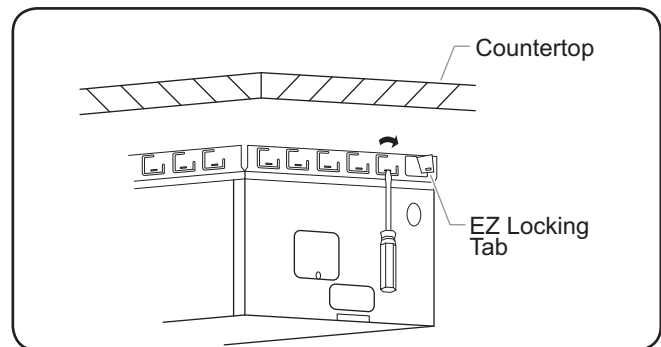
1. Cut the appropriate opening in the countertop. Refer to the "Countertop Cutout Dimensions" chart in this section.
2. Cut the appropriate opening for the control enclosure(s). Refer to the "Control Enclosure Cutout Dimensions" chart in this section.
3. Place ribbon putty gasket around the cutout edge of the countertop. Make sure the ribbon putty gasket overhangs the cutout edge or seal unit with silicone adhesive.

NOTE: A roll of ribbon putty gasket material is supplied with the unit.



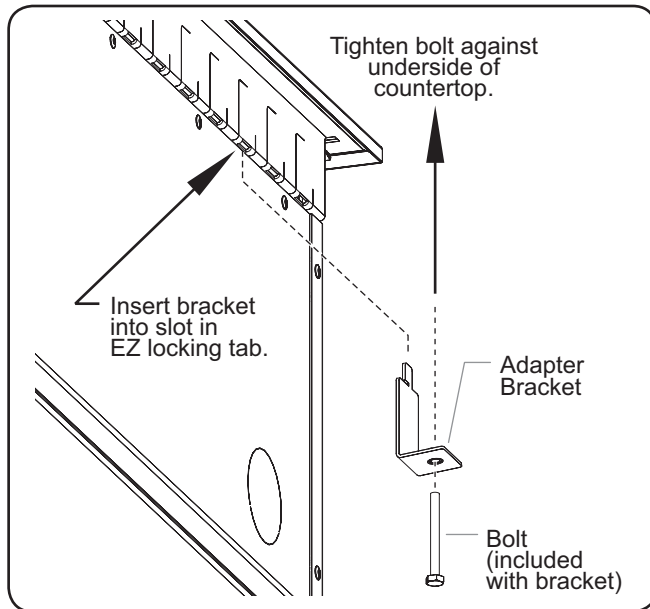
Installing Ribbon Putty Gasket

4. Place the unit into the countertop opening.
5. Using a screwdriver, rotate the unit's EZ locking tabs outward to secure the unit to the underside of the countertop. Rotate as many tabs as needed to secure the unit to the countertop.



EZ Locking Tabs

NOTE: The Hatco EZ locking tabs work on countertops that have a maximum thickness of 3/16" (5 mm). For countertops 3/16"-2" (5-51 mm) thick, use an appropriate number of accessory thick counter adapter brackets (HWB-MNT-REC).



Thick Countertop Adapter Bracket

6. Carefully trim and remove the excess ribbon putty material from around the unit.
7. Install the control enclosure(s). Refer to the "Installing a Remote Control Enclosure" procedure in this section.

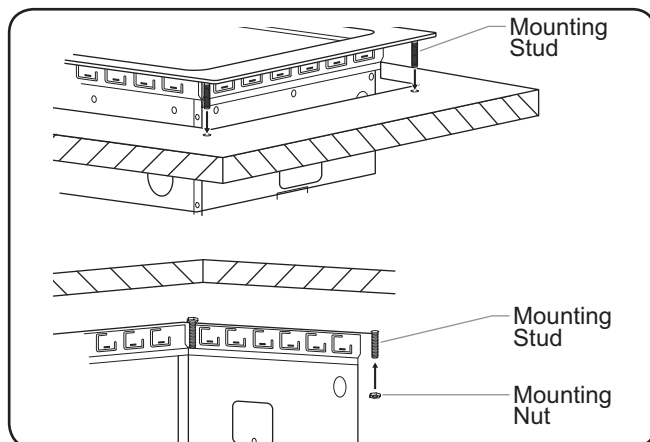
Built-In Stud Mounting System

NOTE: This type of installation is not available for HWBI43 models.

NOTE: Cut the opening for both the unit and the control enclosure(s) before placing unit into the countertop opening.

1. Cut the appropriate opening in the countertop and drill holes for the mounting studs. Refer to the appropriate "Countertop Cutout" chart in this section.
2. Cut the appropriate opening for the control enclosure(s). Refer to the "Control Enclosure Cutout Dimensions" chart in this section.
3. Place ribbon putty gasket around the cutout edge of the countertop. Make sure the ribbon putty gasket overhangs the cutout edge or seal unit with silicone adhesive.

NOTE: A roll of ribbon putty gasket material is supplied with the unit.



Built-In Stud Mounting

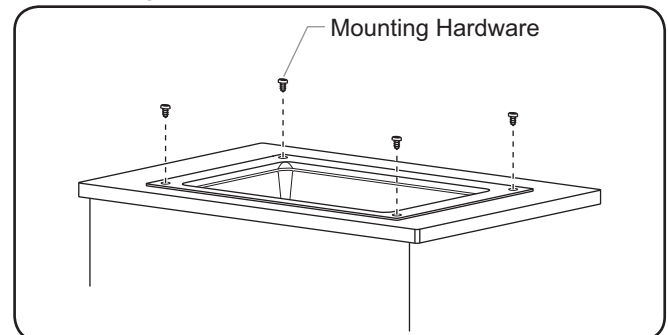
4. Place the unit into the countertop opening and secure with 1/4-20 mounting nuts on the mounting studs. Tighten the nuts securely.
5. Carefully trim and remove the excess ribbon putty material from around the unit.
6. Install the control enclosure(s). Refer to the "Installing a Remote Control Enclosure" procedure in this section.

Through-Hole Mounting System

NOTE: This type of installation is not available for HWBI43 models.

NOTE: Cut the opening for both the unit and the control enclosure(s) before placing unit into the countertop opening.

1. Cut the appropriate opening in the countertop and drill corresponding mounting holes. Refer to the appropriate "Countertop Cutout" chart in this section.
 2. Cut the appropriate opening for the control enclosure(s). Refer to the "Control Enclosure Cutout Dimensions" chart in this section.
 3. Place ribbon putty gasket around the cutout edge of the countertop. Make sure the ribbon putty gasket overhangs the cutout edge or seal unit with silicone adhesive.
- NOTE: A roll of ribbon putty gasket material is supplied with the unit.*
4. Place the unit into the countertop opening and secure with mounting hardware (not supplied).



Through-Hole Mounting

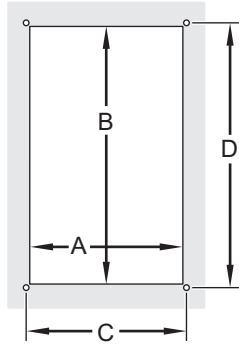
5. Carefully trim and remove the excess ribbon putty material from around the unit.
6. Install the control enclosure(s). Refer to the "Installing a Remote Control Enclosure" procedure in this section.

Countertop Cutout Dimensions

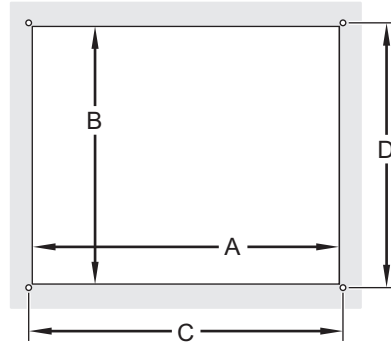
Model	Mounting	Unit Opening Width (A)	Unit Opening Depth (B)	Mounting Holes Width (C)	Mounting Holes Depth (D)*
HWBI-1	EZ Tab	14-1/8"–14-3/8" (359–365 mm)	22-1/4"–22-1/2" (565–572 mm)	N/A	N/A
	Stud Through-Hole	14-1/8"–14-5/16" (359–364 mm)		14-3/4" (375 mm)	22-7/8" (581 mm)
HWBI43-1	EZ Tab	14-1/4" (362 mm)	29-1/8" (740 mm)	N/A	N/A
HWBI-2	EZ Tab	28-1/8"–28-3/8" (714–721 mm)	22-1/4"–22-1/2" (565–572 mm)	N/A	N/A
	Stud Through-Hole	28-1/8"–28-5/16" (714–719 mm)		28-3/4" (730 mm)	22-7/8" (581 mm)
HWBI43-2	EZ Tab	28-1/4" (718 mm)	29-1/8" (740 mm)	N/A	N/A
HWBI-3	EZ Tab	42-1/8"–42-3/8" (1070–1076 mm)	22-1/4"–22-1/2" (565–572 mm)	N/A	N/A
	Stud Through-Hole	42-1/8"–42-5/16" (1070–1075 mm)		42-3/4" (1086 mm)	22-7/8" (581 mm)
HWBI43-3	EZ Tab	42-1/4" (1073 mm)	29-1/8" (740 mm)	N/A	N/A
HWBI-4	EZ Tab	56-1/8"–56-3/8" (1425–1432 mm)	22-1/4"–22-1/2" (565–572 mm)	N/A	N/A
	Stud Through-Hole	56-1/8"–56-5/16" (1425–1432 mm)		28-3/8" (721 mm)	22-7/8" (581 mm)
HWBI43-4	EZ Tab	56-1/4" (1429 mm)	29-1/8" (740 mm)	N/A	N/A
HWBI-5	EZ Tab	70-1/8"–70-3/8" (1781–1787 mm)	22-1/4"–22-1/2" (565–572 mm)	N/A	N/A
	Stud Through-Hole	70-1/8"–70-5/16" (1781–1786 mm)		35-3/8" (899 mm)	22-7/8" (581 mm)
HWBI43-5	EZ Tab	70-1/4" (1784 mm)	29-1/8" (740 mm)	N/A	N/A
HWBI-6	EZ Tab	84-1/8"–84-3/8" (2137–2143 mm)	22-1/4"–22-1/2" (565–572 mm)	N/A	N/A
	Stud Through-Hole	84-1/8"–84-5/16" (2137–2142 mm)		42-3/8" (1076 mm)	22-7/8" (581 mm)
HWBI43-6	EZ Tab	84-1/4" (2140 mm)	29-1/8" (740 mm)	N/A	N/A

* Optional over-sized bezel units have a Mounting Hole Depth (D) of 26-1/4" (667 mm).

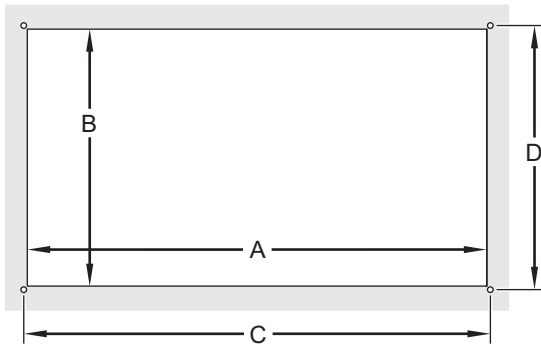
NOTE: HWBI43 models are available with the EZ Tab mounting option only.



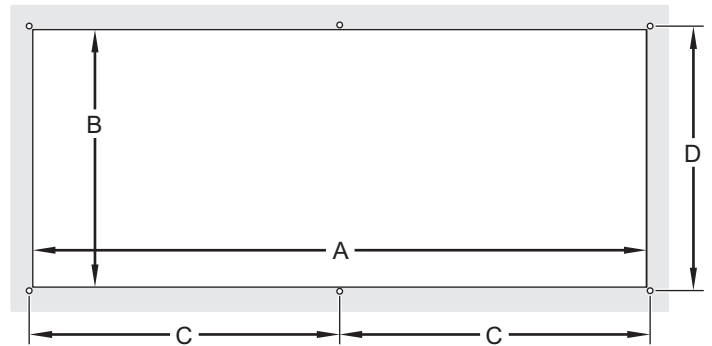
HWBI-1 and HWBI43-1



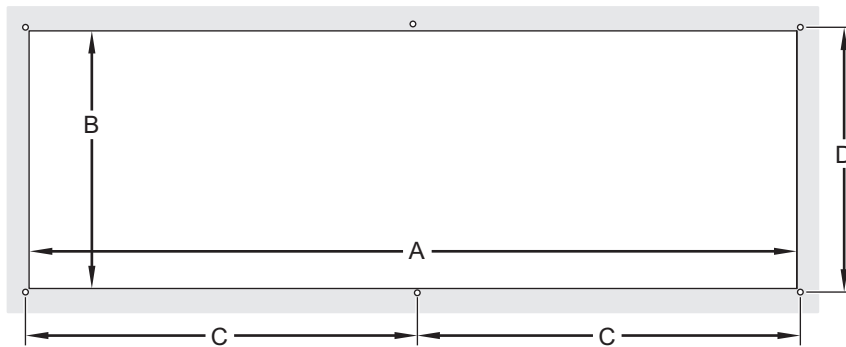
HWBI-2 and HWBI43-2



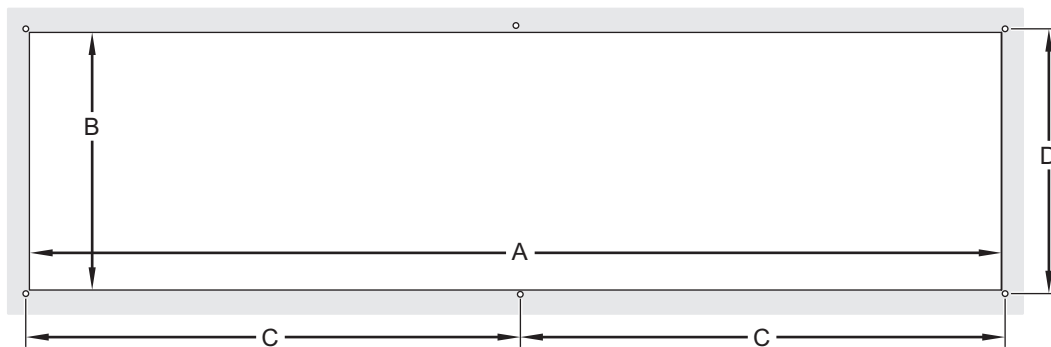
HWBI-3 and HWBI43-3



HWBI-4 and HWBI43-4



HWBI-5 and HWBI43-5



HWBI-6 and HWBI43-6

NOTE: Required minimum clearance below countertop cutout is 13-1/8" (333 mm) when installing around combustible surfaces and 11" (279 mm) around non-combustible surfaces. Allow additional clearance for units equipped with a drain.

Countertop Cutout Dimensions

Installing a Remote Control Enclosure

Remote control enclosures must be mounted on the front of the unit to ensure the controls correspond with the correct wells (the front of the unit is the side the conduit enters under the unit). Remote control enclosures cannot be rewired and must be installed in the proper location.



ELECTRIC SHOCK HAZARD:

- Remote control enclosure must be mounted on vertical wall and installed in vertical position. Mounting remote control enclosure in horizontal position may result in collection of liquids and lead to electric shock.
- Operating voltage of remote control enclosure water valve exceeds 50 V (extra low voltage). Enclosure is marked with the following hazard identification symbol: ⚡

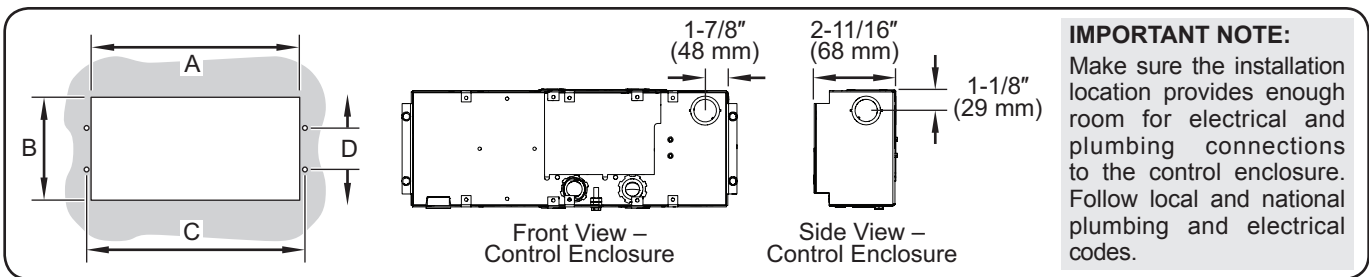
NOTE: A qualified electrician should connect the unit(s) to a power source. A qualified plumber should connect the water supply and drain(s).

NOTE: Refer to the "Side Mounted Auto-Fill" or "Bottom Mounted Auto-Fill" procedure in the OPTIONS AND ACCESSORIES section before installing a Remote Control Enclosure.

1. Cut and drill the appropriate holes in the mounting surface. Refer to the "Control Enclosure Cutout Dimensions" chart below for the cutout dimensions for each control enclosure.
 - The cutout depth required for all control enclosures is 5" (127 mm).
 - Make sure to have enough space inside the cutout if installing with conduit on the side of the control enclosure.
 - For units with two control enclosures: If the unit is equipped with Auto-Fill, each enclosure cutout size will be different (see chart below).

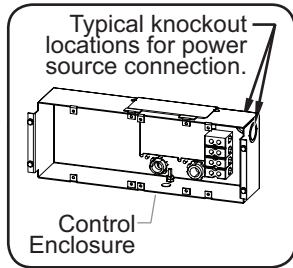
Control Enclosure Cutout Dimensions				
Model and Enclosure	Opening Dimensions		Screw Hole Dimensions	
	(A)	(B)	(C)	(D)
HWBI-1 and HWBI43-1 Control w/Auto-Fill Control w/o Auto-Fill	10-1/8" (257 mm) 5-3/4" (146 mm)	4-3/4" (121 mm) 4-3/4" (121 mm)	10-7/16" (265 mm) 6-1/16" (154 mm)	2-1/2" (64 mm) 2-1/2" (64 mm)
HWBI-2 and HWBI43-2 Control w/Auto-Fill Control w/o Auto-Fill	12-3/8" (314 mm) 8" (203 mm)	4-3/4" (121 mm) 4-3/4" (121 mm)	12-11/16" (322 mm) 8-5/16" (211 mm)	2-1/2" (64 mm) 2-1/2" (64 mm)
HWBI-3 and HWBI43-3 Control w/ Auto-Fill Control w/o Auto-Fill	14-5/8" (371 mm) 10-1/4" (260 mm)	4-3/4" (121 mm) 4-3/4" (121 mm)	14-15/16" (379 mm) 10-9/16" (268 mm)	2-1/2" (64 mm) 2-1/2" (64 mm)
HWBI-4 and HWBI43-4 Left Control w/ Auto-Fill Left Control w/o Auto-Fill Right Control Control Enclosure w/ Auto-Fill * Control Enclosure w/o Auto-Fill *	12-3/8" (314 mm) 8" (203 mm) 8" (203 mm) 16-7/8" (429 mm) 12-1/2" (318 mm)	4-3/4" (121 mm) 4-3/4" (121 mm) 4-3/4" (121 mm) 4-3/4" (121 mm) 4-3/4" (121 mm)	12-11/16" (322 mm) 8-5/16" (211 mm) 8-5/16" (211 mm) 17-3/16" (437 mm) 12-13/16 (325 mm)	2-1/2" (64 mm) 2-1/2" (64 mm) 2-1/2" (64 mm) 2-1/2" (64 mm) 2-1/2" (64 mm)
HWBI-5 and HWBI43-5 Left Control w/ Auto-Fill Left Control w/o Auto-Fill Right Control Control Enclosure w/ Auto-Fill * Control Enclosure w/o Auto-Fill *	12-3/8" (314 mm) 8" (203 mm) 10-1/4" (260 mm) 19-1/8" (486 mm) 14-3/4" (375 mm)	4-3/4" (121 mm) 4-3/4" (121 mm) 4-3/4" (121 mm) 4-3/4" (121 mm) 4-3/4" (121 mm)	12-11/16" (322 mm) 8-5/16" (211 mm) 10-9/16" (268 mm) 19-7/16" (494 mm) 15-1/16" (383 mm)	2-1/2" (64 mm) 2-1/2" (64 mm) 2-1/2" (64 mm) 2-1/2" (64 mm) 2-1/2" (64 mm)
HWBI-6 and HWBI43-6 Left Control w/ Auto-Fill Left Control w/o Auto-Fill Right Control Control Enclosure w/ Auto-Fill * Control Enclosure w/o Auto-Fill *	14-5/8" (371 mm) 10-1/4" (260 mm) 10-1/4" (260 mm) 21-3/8" (543 mm) 17" (432 mm)	4-3/4" (121 mm) 4-3/4" (121 mm) 4-3/4" (121 mm) 4-3/4" (121 mm) 4-3/4" (121 mm)	14-7/8" (378 mm) 10-1/2" (267 mm) 10-1/2" (267 mm) 21-5/8" (549 mm) 17-1/4" (438 mm)	2-1/2" (64 mm) 2-1/2" (64 mm) 2-1/2" (64 mm) 2-1/2" (64 mm) 2-1/2" (64 mm)

* HWBI-4, HWBI-5, and HWBI-6 units with all controls in a single control enclosure — required for Canadian units.



Control Enclosure Cutout Dimensions

2. Remove the trim cover from the control enclosure.
3. Position the control enclosure into the opening through the backside.
4. Secure the control enclosure to the mounting surface using screws (#8 sheet metal screw supplied).
5. Connect the proper power source to the mounted remote control enclosure. Wiring must be fixed a minimum of 4" (102 mm) from bottom of well(s).
6. Connect the water supply to the optional Auto-Fill system, if equipped. Refer to the "Side Mounted Auto-Fill" or "Drain Mounted Auto-Fill" procedure in the OPTIONS AND ACCESSORIES section.
7. Reinstall the trim cover. Seal the trim cover to the mounting surface with silicone adhesive.



NOTE: Standard UL approved units are equipped with a 72" (1829 mm) flexible conduit connected to the remote control enclosure.

Connecting A Drain Line

After installing a drain- or manifold-equipped unit into the countertop, use the following procedure to connect the unit to the on-site drain line. Refer to the OPTIONS AND ACCESSORIES section for external manifold drain with valves information.

CAUTION

BURN HAZARD: Drain water may reach temperatures in excess of 200°F (93°C). Use appropriate plumbing materials when installing drain.

NOTE: Consult a licensed plumbing contractor for proper drain installation that conforms to local plumbing codes.

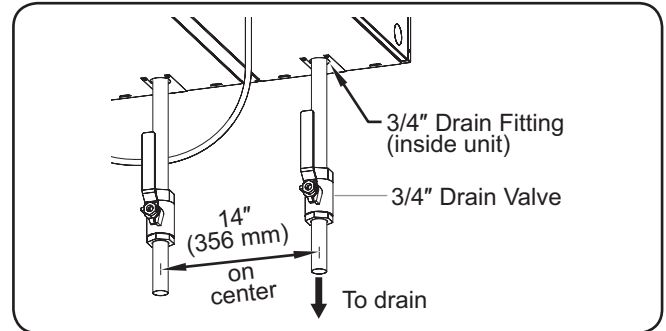
NOTE: Approved air gap or other back-flow prevention device must be installed by a licensed plumber, if required.

Individual Drain Units

1. Connect drain pipe (supplied by others) from the 3/4" NPT drain fitting(s) on the bottom of the well(s) to a 3/4" drain valve (supplied by others or available as an accessory from Hatco—refer to the OPTIONS AND ACCESSORIES section).

NOTE: The drain valve(s) must be installed in an easily accessible location for the operator.

2. Connect the drain valve to the on-site drain line (supplied by others).



Individual Drain Connection

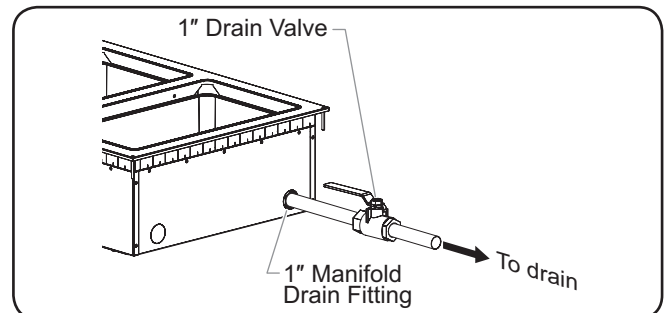
Manifold Drain Units

1. Connect drain pipe (supplied by others) from the 1" NPT manifold drain fitting to a 1" drain valve (supplied by others or available as an accessory from Hatco — refer to the OPTIONS AND ACCESSORIES section).

- Side/End Drain: manifold drain fitting located on either end of the unit.
- Bottom Drain: manifold drain fitting located on the bottom at either end of the unit.

NOTE: The drain valve must be installed in an easily accessible location for the operator.

2. Connect the drain valve to the on-site drain line (supplied by others).



Side Manifold Drain Connection

General

Use the following procedures to operate the Modular Built-In Heated Wells.



Read all safety messages in the Important Safety Information section before operating this equipment.

ELECTRIC SHOCK HAZARD:

- **DO NOT** use unit to melt or hold ice. Doing so may cause condensation, creating an electrical hazard and causing personal injury and/or damage to unit. Damage caused by condensation is not covered by warranty.
- For units without Auto-Fill, turn off unit when filling with water and avoid splashing.



Standard and approved manufacturing oils may smoke up to 30 minutes during initial startup. This is a temporary condition. Operate unit without food product until smoke dissipates.

Unit must be allowed to cool down to room temperature before changing from wet-to-dry or dry-to-wet operation. Allowing unit to run dry during wet operation or adding water during dry operation will damage unit.

Hatco Modular Built-In Heated Wells are designed for WET or DRY operation. Hatco recommends wet operation for consistent food heating. If the unit is operating wet and runs dry, turn it off and allow to cool before adding water.

Startup

1. Prepare the heated wells for operation.
 - If using the wells for dry operation, make sure the wells are clean and dry.
 - If using the wells for wet operation without Auto-Fill, make sure the drain valve is closed (if equipped) and manually fill the wells with hot tap water until the water is a maximum of 1-1/4" (32 mm) deep.
 - If the unit is equipped with the Auto-Fill option, make sure the drain valve is closed and go to step 2 in this procedure.
2. Place an empty pan in the well or cover the well with a lid. This step is recommended to speed up pre-heating and reach operating temperature.

3. Move the Power I/O (on/off) switches to the **I** (on) position. The indicator light on each switch glows when it is on.

- If the unit is equipped with the Auto-Fill option, the far left Power I/O (on/off) switch will activate the Auto-Fill system when it is moved to the **I** (on) position. The wells will fill with water until the water reaches the water level sensor in the far left well. During operation, the Auto-Fill system will maintain the water level automatically using the water level sensor.

NOTE: For 4, 5, and 6 well units equipped with Auto-Fill, turn on the left-hand control first, then turn on the right-hand control.

4. Turn the Temperature Control Knobs to the desired safe food temperature.



Hatco Corporation is not responsible for actual food product serving temperature. It is the responsibility of the user to ensure that food product is held and served at a safe temperature.

5. Allow the unit to preheat for approximately 30 minutes.



BURN HAZARD: Some exterior surfaces on the unit will get hot. Use caution when touching these areas.

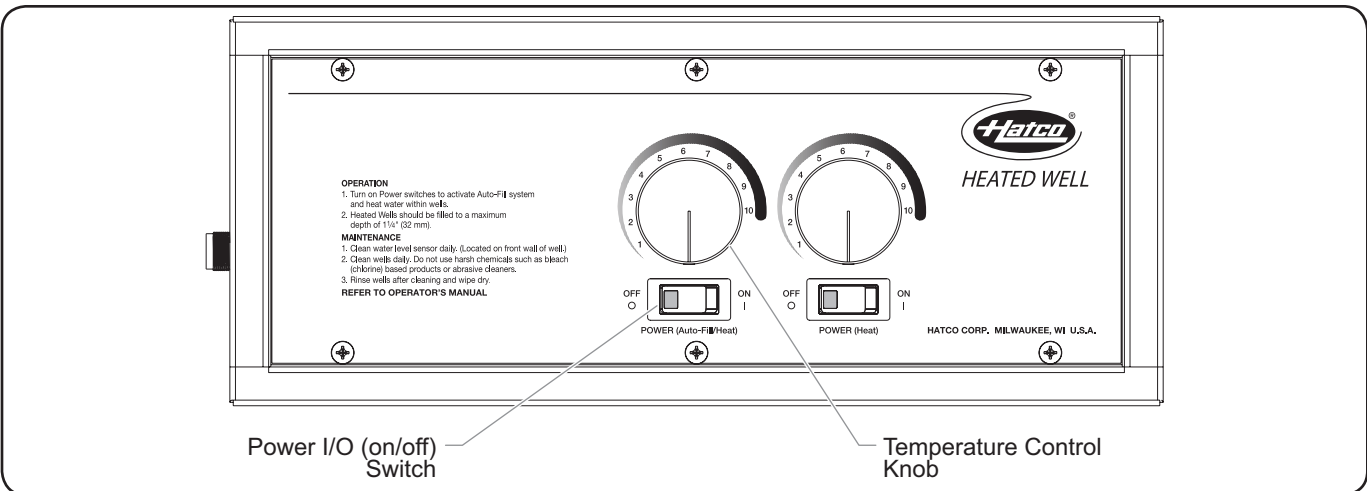
Food Warming

Place the appropriate size food pans with pre-heated food product into the heated wells.

- Always use a food pan. Do not place food directly into the heated well.
- Stir thick food items frequently to keep food heated uniformly.
- Keep pans covered to maintain food quality and temperature.

Shutdown

1. Move the Power I/O (on/off) switches to the **O** (off) position. The indicator light on the switches will shut off and the Auto-Fill system will be deactivated (if equipped).



HWB-2DA Control Enclosure (unit with drains and Auto-Fill)

General

The Hatco Modular Built-In Heated Wells are designed for maximum durability and performance, with minimum maintenance.



ELECTRIC SHOCK HAZARD:

- Turn power switch OFF, disconnect unit from power source, and allow unit to cool before performing any maintenance or cleaning.
- DO NOT submerge or saturate with water. Unit is not waterproof. Do not operate if unit has been submerged or saturated with water.
- Do not clean unit when it is energized or hot.
- This unit is not “jet-proof” construction. Do not use jet-clean spray to clean this unit.

FIRE HAZARD: Do not use flammable cleaning solutions to clean this unit.

This unit has no “user-serviceable” parts. If service is required on this unit, contact an Authorized Hatco Service Agent or contact the Hatco Service Department at 800-558-0607 or 414-671-6350.

NOTICE

Do not use steel wool or metal scouring pad for cleaning. Steel wool will scratch the finish.

Use non-abrasive cleaners and cloths only. Abrasive cleaners and cloths could scratch finish of unit, marring its appearance and making it susceptible to soil accumulation.

Do not use harsh chemicals such as bleach, cleaners containing bleach, or oven cleaners to clean this unit. Damage caused by chemicals is not covered by warranty.

Daily Cleaning

To preserve the finish of the heated well(s), perform the following cleaning procedure daily.

1. Move the Power I/O (on/off) switches to the **O** (off) position and allow the unit to cool.
2. Remove and wash any pans and adapters.
3. Open the drain valve (if equipped) or manually remove water from the well(s) if used for wet operation.
4. Wipe down the entire unit using a clean cloth or sponge and mild detergent.
5. Use a plastic scouring pad to remove any hardened food particles or mineral deposits.
6. Rinse the well(s) thoroughly with hot water to remove all detergent residue.
7. Wipe dry the entire unit using a non-abrasive, dry cloth.

Removing Lime and Mineral Deposits

Use the following procedure whenever lime or scale is seen accumulating on the sides of the heated wells.

1. Move the Power I/O (on/off) switches to the **O** (off) position and allow the unit to cool.
2. Remove and wash any pans and adapters.
3. Open the drain valve (if equipped) or manually remove water from the well(s) if used for wet operation.
4. Close the drain valve(s).
5. Fill the water reservoir with a mixture of 75% water and 25% white vinegar. Do not use flavored vinegar.
6. Move the Power I/O (on/off) switches to the **I** (on) position and heat the solution to the maximum temperature of 190°F (88°C).
7. Move the Power I/O (on/off) switches to the **O** (off) position and cover the well(s).
8. Allow the solution to soak for at least one hour or overnight for heavy buildup.
9. Drain or remove the water/cleaning solution from the well(s).
10. Scrub the well(s) with a plastic scouring pad.
11. Rinse the well(s) thoroughly with hot water.
12. Wipe dry the entire unit using a non-abrasive, dry cloth.

NOTE: Heavy scale buildup may require additional treatments.



This unit must be serviced by qualified personnel only. Service by unqualified personnel may lead to electric shock or burn.



ELECTRIC SHOCK HAZARD: Turn OFF power switch, unplug power cord/turn off power at circuit breaker, and allow unit to cool before performing any cleaning, adjustments, or maintenance.

Symptom	Probable Cause	Corrective Action
Heated wells not hot enough.	Temperature Control set too low.	Adjust Temperature Control to a higher setting.
	Heating element not working.	Contact Authorized Service Agent or Hatco for assistance.
	Temperature Control not working properly.	
	Voltage supplied is incorrect.	Verify correct voltage is supplied to unit. Low supply voltage will cause improper heating.
Heated wells too hot.	Temperature Control set too high.	Adjust Temperature Control to a lower setting.
	Temperature Control not working properly.	Contact Authorized Service Agent or Hatco for assistance.
	Voltage supplied is incorrect.	Verify correct voltage is supplied to unit. High supply voltage will cause unit to overheat and may damage the unit.
No heat.	Unit turned off.	Move the Power I/O (on/off) switches to the I (on) position
	Circuit breaker tripped.	Reset circuit breaker. If circuit breaker continues to trip, contact Authorized Service Agent or Hatco.
	Temperature Control not working properly.	Contact Authorized Service Agent or Hatco for assistance.
	Heating element not working.	
	Power I/O (on/off) switch not working.	
Auto-Fill system not working.	Water level sensor is dirty and not "sensing" properly.	Perform the "Cleaning" procedure in the Maintenance section with special focus on the water level sensor.
	Water not supplied to fill valve.	Verify water supply is correctly installed.
	Water fill valve malfunctioning.	Contact Authorized Service Agent or Hatco for assistance.
	Left-hand well not turned on.	Turn on well.
Unit is overflowing with water.	Water level sensor is not "sensing" minerals in the water supply. This is typically due to reverse osmosis water or similar filtration process.	Auto-fill units supplied with water from a reverse osmosis (RO) system (or similar water filtration system) must be installed with an operating remineralization system to assure proper operation. Failure to do so may cause the unit to overflow. Damage caused by overflowing is not covered under warranty.
Food product not holding hot enough.	Well being operated as a dry unit.	Allow unit to cool and fill with the appropriate amount of water for wet operation. Wet operation promotes consistent hot food holding.
Temperature control knobs heat wrong well.	Control enclosure installed incorrectly.	Install control enclosure on the front side of the unit. Contact Authorized Service Agent or Hatco for assistance.

Troubleshooting Questions?

If you continue to have problems resolving an issue, please contact the nearest Authorized Hatco Service Agency or Hatco for assistance. To locate the nearest Service Agency, log onto the Hatco website at www.hatcocorp.com, select the *Support* pull-down menu, and click on "Find A Service Agent"; or contact the **Hatco Parts and Service Team** at:

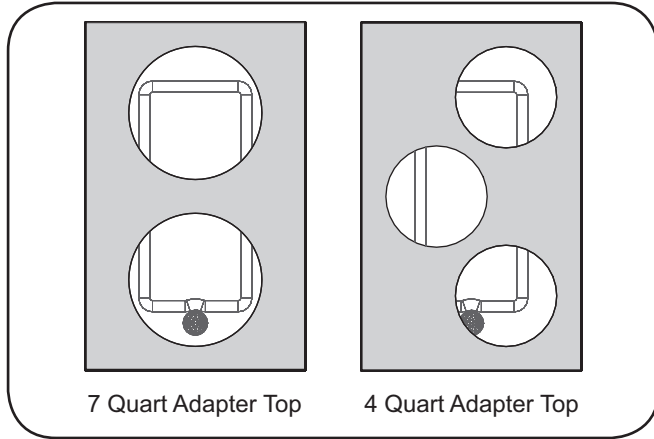
Telephone: 800-558-0607 or 414-671-6350

e-mail: support@hatcocorp.com

Adapter Tops

The following adapter tops are available to allow rectangular heated wells to hold round pans.

- HWB-2-7Q**..... Adapter to convert HWBI Series heated wells to hold two 7-quart (7 l) round pans.
- HWB-3-4Q**..... Adapter to convert HWBI Series heated wells to hold three 4-quart (4 l) round pans.
- HWB-2-11Q**..... Adapter to convert HWBI43 Series heated well to hold two 11-quart round pans.

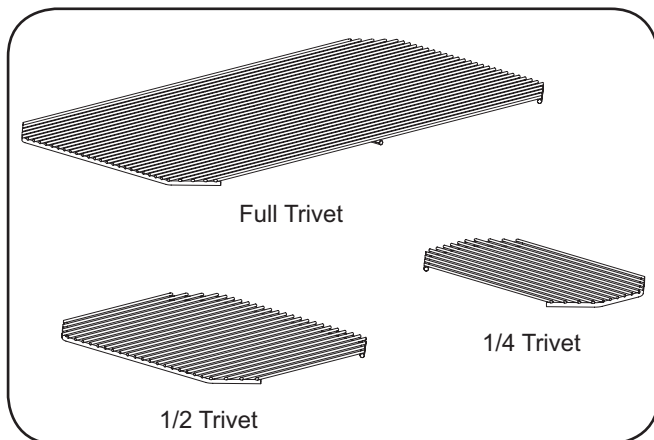


Adapter Tops

Trivets

Stainless steel or nickel-plated trivets are available in various sizes.

- TRIVET (1/4)SS**..... Quarter-size stainless steel trivet — 8-1/2"W x 4-1/2"D (216 x 114 mm)
- TRIVET (1/2)SS**..... Half-size stainless steel trivet — 10-3/16"W x 7-5/8"D (259 x 194 mm)
- TRIVET SS**..... Full size stainless steel trivet — 10-1/8"W x 18"D (257 x 457 mm)
- TRIVET (1/2)**..... Half-size nickel-plated trivet — 10-3/16"W x 7-5/8"D (259 x 194 mm)
- TRIVET**..... Full size nickel-plated trivet — 10-1/8"W x 18"D (257 x 457 mm)

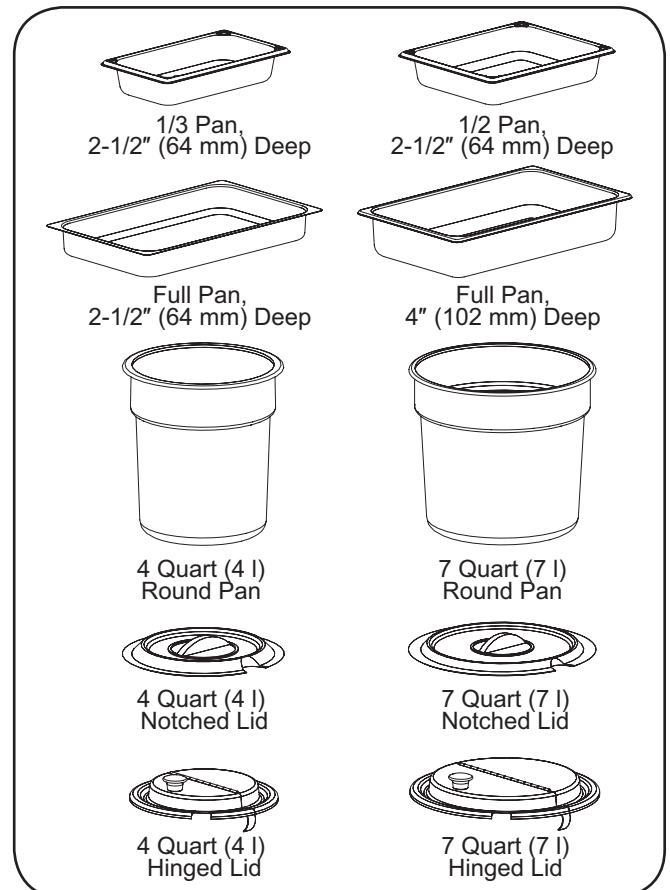


Trivets

Food Pans

Stainless steel food pans are available in various sizes.

- ST PAN 1/3** Third-size stainless steel pan — 12-3/4"W x 6-7/8"D x 2-1/2"H (324 x 175 x 64 mm)
- ST PAN 1/2** Half-size stainless steel pan — 12-3/4"W x 10-3/8"D x 2-1/2"H (324 x 264 x 64 mm)
- ST PAN 2** Full size stainless steel pan at 2-1/2" (64 mm) deep — 12-3/4"W x 20-3/4"D x 2-1/2"H (324 x 527 x 64 mm)
- ST PAN 4** Full size stainless steel pan at 4" (102 mm) deep — 12-3/4"W x 20-3/4"D x 4"H (324 x 527 x 102 mm)
- 4QT-PAN** 4 quart (4 l) round pan — 6-3/4" dia x 8"H (171 x 203 mm)
- 7QT-PAN** 7 quart (7 l) round pan — 8-11/16" dia x 8"H (221 x 203 mm)
- 11QT-PAN** 11 quart (10 l) round pan — 12-1/4" dia x 8"H (311 x 203 mm)
- 4QT-LID-1** 4 quart (4 l) round, notched lid
- 7QT-LID-1** 7 quart (7 l) round, notched lid
- 11QT-LID-1**..... 11 quart (10 l) round, notched lid
- 4QT-LID**..... 4 quart (4 l) round, hinged and notched lid
- 7QT-LID**..... 7 quart (7 l) round, hinged and notched lid
- 11QT-LID**..... 11 quart (10 l) round, hinged and notched lid



Stainless Steel Food Pans

Exterior Manifold with Drain Valve

An exterior drain valve manifold is an accessory for two to six-well units. Use the following procedure to install drains.

NOTE: An exterior drain valve manifold cannot be installed on models without drains or with built-in manifolds.

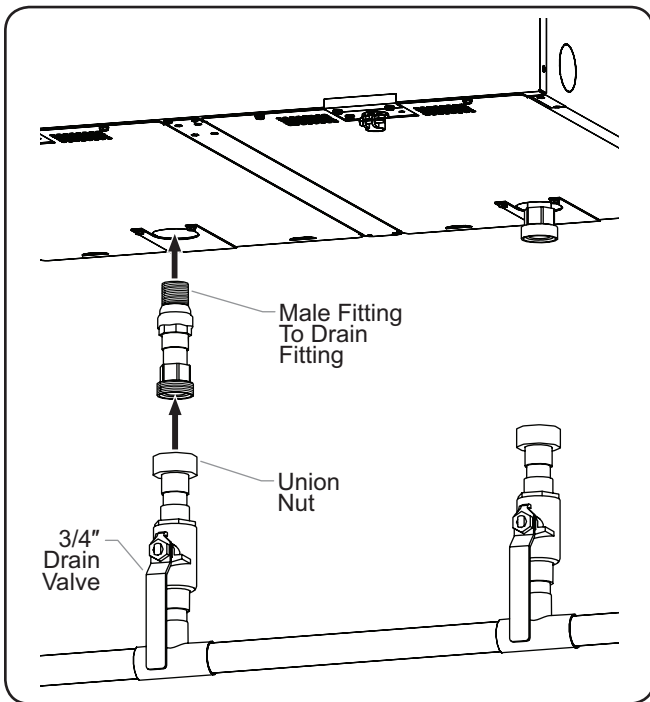


This unit must be installed by qualified, trained installers. Installation must conform to all local electrical and plumbing codes. Check with local plumbing and electrical inspectors for proper procedures and codes.



Drain sealants must have temperature rating of 500°F (260°C) or higher. Incoming water pipes must be FDA compliant for potable water.

1. Unscrew the union nuts.
2. Attach all male fittings to drain fittings under each drain. Use teflon tape on threaded connections.
3. Screw union nuts to drain fittings to secure the drain valve manifold to the unit. Use teflon tape on threaded connections. Check for leaks.
4. Connect the drain valve manifold assembly to the on-site drain line (supplied by others).



External Manifold Drain with Valves Connection

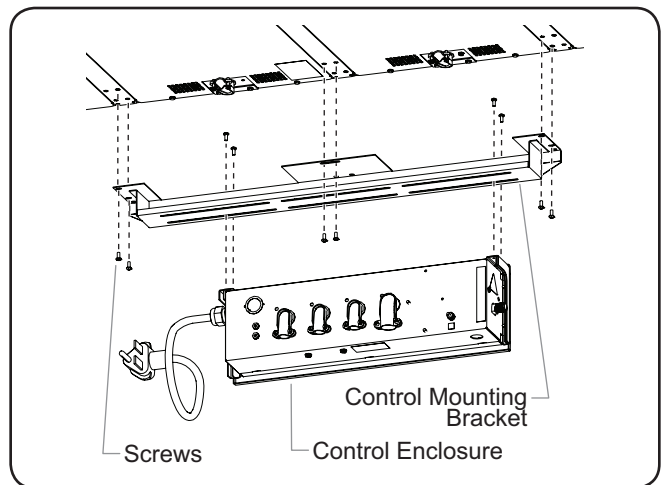
Over-Sized Bezel

An over-sized bezel is available for all HWBI series units as a non-retrofitable option. Models with an over-sized bezel match the depth dimensions of a Hatco cold well.

Attached Cord and Plug

An attached cord and plug is available as a factory-installed option for models with a single phase electrical configuration and without an extended control conduit. Use the following procedure to install the control.

1. Secure the control enclosure to the desired location on the control mounting bracket using supplied screws.
 - The cutout depth required for all control enclosures is 5" (127 mm).
 - The cutout height required for this control enclosure is 4-3/4" (121 mm).
 - Refer to the "Installing a Remote Control Enclosure" procedure in the INSTALLATION section if mounting the control enclosure remotely.
2. Plug unit into a properly grounded electrical receptacle of the correct voltage, size, and plug configuration. See SPECIFICATIONS section for details.



Installing Control Enclosure with Cord and Plug

Miscellaneous

- BALLVALVE3/4**..... 3/4" ball valve for installation on external drain line of units with individual drains.
- BALLVALVE1INCH**.. 1" ball valve for installation on external drain line of units with manifold drain assemblies.
- GATEVALVE3/4IN** 3/4" gate valve for installation on external drain line of units with individual drain assemblies.
- GATEVALVE1INCH**.. 1" gate valve for installation on external drain line of units with manifold drain assemblies.

Adapter Bracket

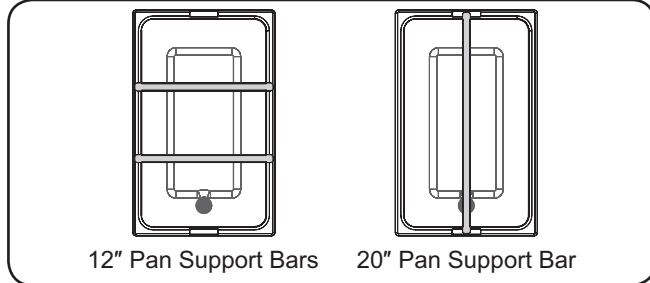
- HWB-MNT-REC** Adapter brackets (8) for installing heated wells into non-combustible countertops that are 3/16"-2" (5-52 mm) thick.

Pan Support Bars

The following pan support bars are available to divide the heated wells into sections for different size pans.

HWBGM12BAR 12" (305 mm) Pan Support Bar

HWBGM20BAR 20" (508 mm) Pan Support Bar
(not available for HWBI43 models)



12" Pan Support Bars 20" Pan Support Bar

Pan Support Bars

Side Mounted Auto-Fill

The side mounted Auto-Fill option connects the on-site water supply through the control panel to an Auto-Fill fitting on the side of the well enclosure. Use the following procedure to install a unit equipped with the side mounted Auto-Fill option.

NOTE: The Plumbing Kit that comes with this unit includes the following parts: street elbow, back-flow preventer valve, fill tube hose, and hose clamps. For a detailed image of the Plumbing Kit, refer to "Drain Mounted Auto-Fill" in this section.



Auto-Fill units must be installed with adequate backflow protection and must conform with all federal, state, and local codes.

NOTICE

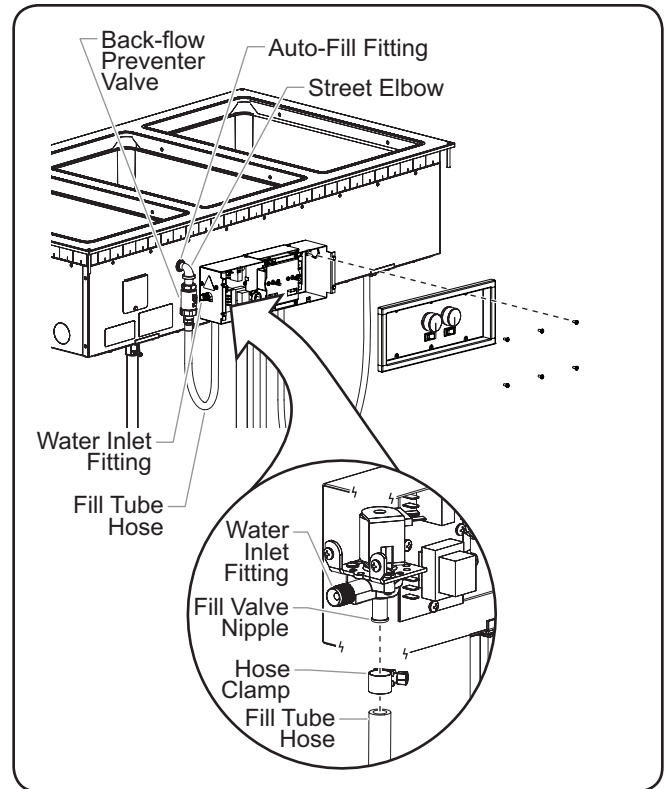
Auto-fill units supplied with water from a reverse osmosis (RO) system (or similar water filtration system) must be installed with an operating remineralization system to ensure proper operation. Failure to do so may cause unit to overflow. Damage caused by overflowing is not covered under warranty.

Drain sealants must have temperature rating of 500°F (260°C) or higher. Incoming water pipes must be FDA compliant for potable water.

1. Connect the street elbow to the Auto-Fill fitting located on the outside of the well. Replace the fill tube hose on fitting.

NOTE: The fill tube hose may need to be removed from the Plumbing Kit for ease of installation.

2. Connect the fill tube hose to the fill valve nipple in the control enclosure and secure using the hose clamp. (Disassemble the control enclosure trim cover to access the nipple.)
3. Connect the on-site water supply line to the 1/4" NPT water inlet fitting on the control enclosure.
4. Turn on the water supply and check for leaks.



Installing a Side Mounted Auto-Fill Unit

NOTE: Refer to "Water Supply Specifications" in the SPECIFICATIONS section of this manual for water supply requirements.

Drain Mounted Auto-Fill

The drain mounted Auto-Fill option connects the on-site water supply through the control panel to the drain connection on the side or bottom of a unit with a manifold drain system. Use the following procedure to install a unit with the drain mounted Auto-Fill option.

NOTE: The Plumbing Kit included with this unit includes the following parts: street elbow, back-flow preventer valve, fill tube hose, and hose clamps.

NOTICE

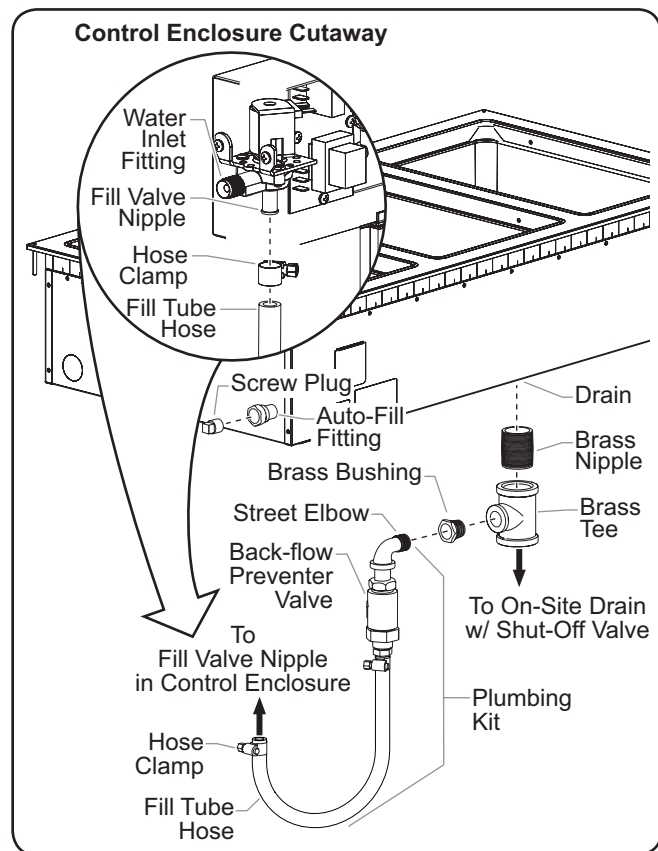
Auto-fill units supplied with water from a reverse osmosis (RO) system (or similar water filtration system) must be installed with an operating remineralization system to ensure proper operation. Failure to do so may cause unit to overflow. Damage caused by overflowing is not covered under warranty.

Drain sealants must have temperature rating of 500°F (260°C) or higher. Incoming water pipes must be FDA compliant for potable water.

1. Secure the screw plug into the Auto-Fill fitting on the outside of the well.
2. Install the brass nipple into the drain fitting on the bottom or side of the well.
3. Thread the brass tee fitting onto the brass nipple.
4. Thread the brass bushing into the side of the brass tee fitting.
5. Connect the street elbow to the brass bushing.

NOTE: The fill tube hose may need to be removed from the Plumbing Kit for ease of installation.

6. Connect the fill tube hose to the fill valve nipple in the control enclosure and secure using the hose clamp. (Disassemble the control enclosure trim cover to access the nipple.)
7. Connect the on-site drain line with shut-off valve to the open end on the brass tee fitting.
8. Connect the on-site water supply line to the 1/4" NPT water inlet fitting on the control enclosure.
9. Close the on-site drain shut-off valve, turn on the water supply, and check for leaks.

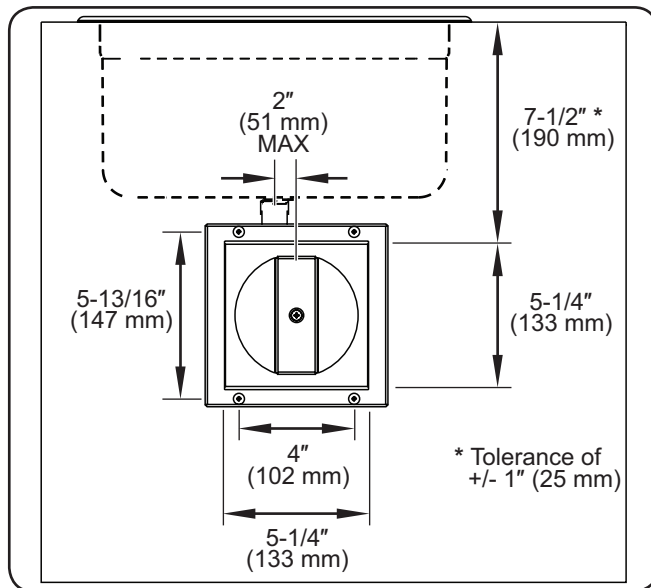


Installing a Drain Mounted Auto-Fill Unit

Remote Drain Handle

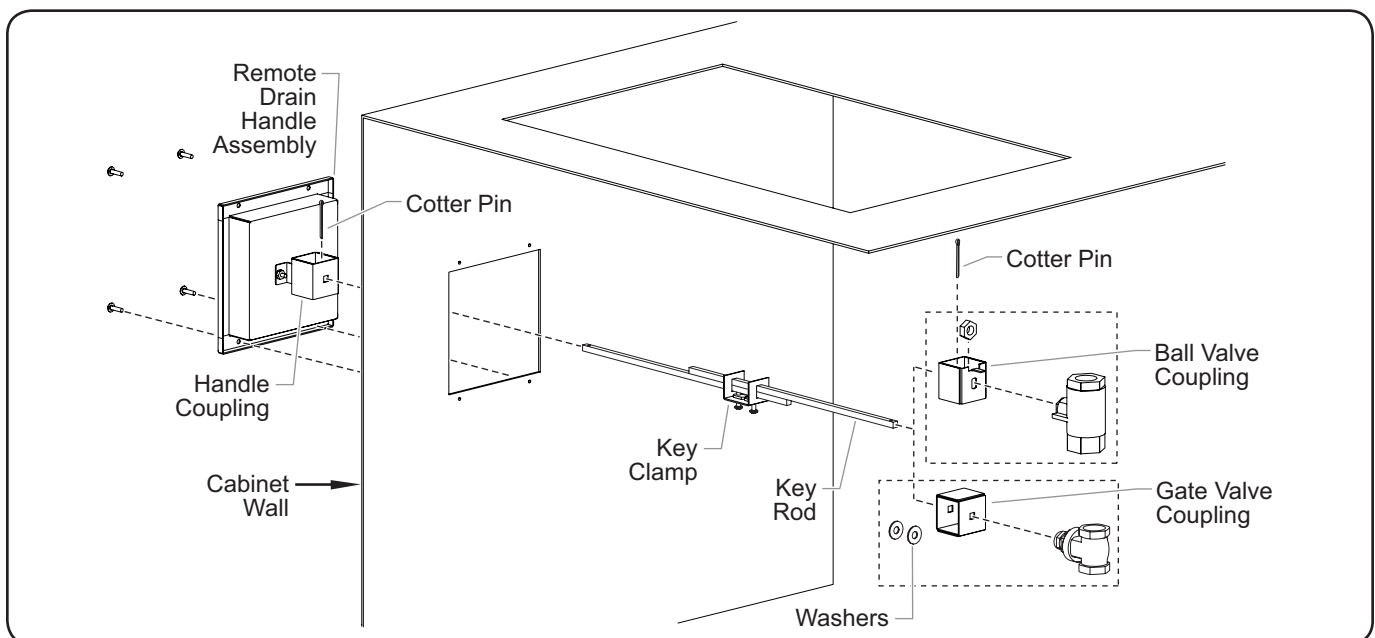
A remote drain handle option allows easy manual drain valve shutoff. Use the following procedure to install a cabinet mounted drain handle.

1. Mount the Drain Handle to the cabinet.
 - Refer to the "Remote Drain Handle Enclosure Cutout Dimensions" illustration below for the appropriate cutout dimensions.
 - Drain handle must have a maximum 2" (51 mm) offset from drain pipe.
 - Distance from front of cabinet to center of drain must be less than 26" (660 mm).
 - Use the four screws to secure the Drain Handle enclosure to the cabinet.



Remote Drain Handle Enclosure Cutout Dimensions

2. Remove the valve handle/knob by loosening nut.
 - Units with Ball Valve: Save the nut for reuse, handle no longer needed.
 - Units with Gate Valve: Save the nut for reuse, knob no longer needed.
3. Install the valve coupling in place of removed valve handle using the previously removed nut.
4. Slide the square key rod through the handle coupling (cotter pin hole end facing up).
5. Insert the cotter pin into the key rod inside the handle coupling.
6. Slide the key clamp onto the key rods.
7. Slide the top key rod into the valve coupling.
 - Units with Gate Valve: use two shim washers inside coupling.
8. Insert the cotter pin into the key rod.
9. Center the key clamp on the overlapping key rods leaving a 1/8" (3 mm) gap for front to back play. Tighten both screws.
 - The key rods can be installed at a 26" (660 mm) maximum distance from the front of the cabinet to the center of the drain.
10. Spread both cotter pin ends to secure the rods inside the couplings.



Remote Drain Handle Installation (Cabinet Cutaway)

Converting a Unit to 3-Phase

HWBI-2, -3, -4, -5 and -6 units without optional cord can be converted to a 3-phase electrical configuration. Use the following procedure to convert a single phase unit to the 3-phase option.



ELECTRIC SHOCK HAZARD:

- Turn power switch OFF, disconnect unit from the power source, and allow unit to cool before performing any maintenance or cleaning.
- This unit must be serviced by qualified personnel only. Service by unqualified personnel may lead to electric shock or burn.

1. Make sure the Power I/O (on/off) switches to the O (off) position and the main power supply is disconnected.
2. Remove the trim cover from the control enclosure.
 - For HWBI-4, HWBI-5, and HWBI-6 units with two control enclosures, only remove the trim cover from the enclosure on the right (when facing the operator side of the unit) to perform the 3-phase conversion.

3. Locate the terminal block in the control enclosure and perform the appropriate wiring changes to convert the unit to 3-phase. Refer to the proper wiring diagram (supplied with unit) listed below for the details regarding the wiring changes.

- **Wiring Diagram 10-01-549** = All HWBI-2 and HWBI-3 units as well as HWBI-4, HWBI-5, and HWBI-6 units with two control enclosures.

- **Wiring Diagram 10-01-565** = All HWBI-4, HWBI-5, and HWBI-6 units with a single control enclosure.

NOTE: To obtain a wiring diagram, contact an Authorized Service Agent or Hatco for assistance (refer to the back page of this manual).

4. After the 3-phase conversion is complete, apply the "CONVERTED TO 3 PHASE" label to the inside of the control enclosure, next to the terminal block. The label is included in the information packet with this manual.
5. Replace the trim cover on the control enclosure.
6. Reconnect the power supply and test the unit for proper operation.

1. PRODUCT WARRANTY

Hatco warrants the products that it manufactures (the "Products") to be free from defects in materials and workmanship, under normal use and service, for a period of one (1) year from the date of purchase when installed and maintained in accordance with Hatco's written instructions or 18 months from the date of shipment from Hatco. Buyer must establish the Product's purchase date by registering the Product with Hatco or by other means satisfactory to Hatco in its sole discretion.

Hatco warrants the following Product components to be free from defects in materials and workmanship from the date of purchase (subject to the foregoing conditions) for the period(s) of time and on the conditions listed below:

a) One (1) Year Parts and Labor PLUS One (1) Additional Year Parts-Only Warranty:

Conveyor Toaster Elements (metal sheathed)
 Drawer Warmer Elements (metal sheathed)
 Drawer Warmer Drawer Rollers and Slides
 Strip Heater Elements (metal sheathed)
 Display Warmer Elements (metal sheathed air heating)
 Holding Cabinet Elements (metal sheathed air heating)
 Heated Well Elements — HW and HWB Series
 (metal sheathed)

b) Two (2) Year Parts and Labor Warranty:

Induction Ranges
 Induction Warmers

c) One (1) Year Parts and Labor PLUS Four (4) Years Parts-Only Warranty:

3CS and FR Tanks

d) One (1) Year Parts and Labor PLUS Nine (9) Years Parts-Only Warranty on:

Electric Booster Heater Tanks
 Gas Booster Heater Tanks

e) Ninety (90) Day Parts-Only Warranty:

Replacement Parts

THE FOREGOING WARRANTIES ARE EXCLUSIVE AND IN LIEU OF ANY OTHER WARRANTY, EXPRESSED OR IMPLIED, INCLUDING BUT NOT LIMITED TO ANY IMPLIED WARRANTY OF MERCHANTABILITY OR FITNESS FOR A PARTICULAR PURPOSE OR PATENT OR OTHER INTELLECTUAL PROPERTY RIGHT INFRINGEMENT. Without limiting the generality of the foregoing, SUCH WARRANTIES DO NOT COVER: Coated incandescent light bulbs, fluorescent lights, heat lamp bulbs, coated halogen light bulbs, halogen heat lamp bulbs, xenon light bulbs, LED light tubes, glass components, and fuses; Product failure in booster tank, fin tube heat exchanger, or other water heating equipment caused by liming, sediment buildup, chemical attack, or freezing; or Product misuse, tampering or misapplication, improper installation, or application of improper voltage.

2. LIMITATION OF REMEDIES AND DAMAGES

Hatco's liability and Buyer's exclusive remedy hereunder will be limited solely, at Hatco's option, to repair or replacement using new or refurbished parts or Product by Hatco or a Hatco-authorized service agency (other than where Buyer is located outside of the United States, Canada, United Kingdom, or Australia, in which case Hatco's liability and Buyer's exclusive remedy hereunder will be limited solely to replacement of part under warranty) with respect to any claim made within the applicable warranty period referred to above. Hatco reserves the right to accept or reject any such claim in whole or in part. In the context of this Limited Warranty, "refurbished" means a part or Product that has been returned to its original specifications by Hatco or a Hatco-authorized service agency. Hatco will not accept the return of any Product without prior written approval from Hatco, and all such approved returns shall be made at Buyer's sole expense. HATCO WILL NOT BE LIABLE, UNDER ANY CIRCUMSTANCES, FOR CONSEQUENTIAL OR INCIDENTAL DAMAGES, INCLUDING BUT NOT LIMITED TO LABOR COSTS OR LOST PROFITS RESULTING FROM THE USE OF OR INABILITY TO USE THE PRODUCTS OR FROM THE PRODUCTS BEING INCORPORATED IN OR BECOMING A COMPONENT OF ANY OTHER PRODUCT OR GOODS.

Informations Importantes pour le Propriétaire	26	Installation	34
Introduction	26	Généralités	34
Consignes de Sécurité Importantes	27	Tableau des découpes dans la table de travail	36
Désignation du Modèle	28	Installation du boîtier de commande à distance.....	38
Description du Modèle	29	Branchement d'un tuyau de vidange.....	39
Caractéristiques Techniques	31	Mode d'emploi	40
Configurations des fiches	31	Généralités	40
Caractéristiques de l'approvisionnement en eau (unités d'auto-remplissage).....	31	Maintenance	41
Tableau des valeurs nominales électriques	31	Généralités	41
Dimensions	33	Nettoyage quotidien.....	41
		Retrait des dépôts de chaux et de minéraux	41
		Guide de Dépannage	42
		Options et accessoires	43
		Garantie Limitée	49

INFORMATIONS IMPORTANTES POUR LE PROPRIÉTAIRE

Notez le numéro de modèle, le numéro de série, la tension et la date d'achat de l'appareil dans les espaces ci-dessous (étiquette de spécification située sur le côté de l'appareil). Veuillez avoir cette information à portée de la main si vous appelez Hatco pour assistance.

Modèle No. _____

Numéro de série _____

Voltage _____

Date d'achat _____

Enregistrez votre appareil!

- Remplissez la garantie en ligne pour éviter les retards.
- pour faire jouer la garantie. Accédez au site Web Hatco.
- www.hatcocorp.com, sélectionnez le menu déroulant
- *Support (Assistance)*, puis cliquez sur « Warranty » (Garantie).

INTRODUCTION

Les puits chauffants intégrés modulaires d'Hatco sont spécialement conçus pour conserver des aliments chauds à des températures sans danger pour le service. Conçus pour des applications à sec ou avec de l'eau, les puits sont disponibles dans une gamme de combinaisons de bacs et de casseroles, tous chauffés grâce à un élément de chauffage durable garanti 2 ans. L'élément de chauffage en métal est contrôlé à distance par un thermostat. La chaleur est distribuée de manière égale à travers un élément grosse jauge en acier inoxydable pour s'assurer que la nourriture reste chaude. Ce modèle est facile d'entretien et permet des performances durables. Les unités standard sont classées UL et sont équipées d'un boîtier de commande à distance.

Les unités comprennent du matériel de fixation EZ lock, des goujons de montage, ou de trous de fixation pré-percés. Les commandes incluent des interrupteurs d'alimentation individuels éclairés et des commandes de thermostat pour gérer les paramètres de température. La garantie d'un an pour les pièces ainsi que pour la main d'œuvre sur place est standard.

Les puits chauffants intégrés modulaires d'Hatco sont des produits qui ont bénéficié de recherche extensive et d'essais sur le terrain. Les matériaux utilisés ont été sélectionnés pour une durabilité maximale, une apparence séduisante et des performances optimales. Chaque unité est inspectée et testée minutieusement avant d'être expédiée.

Horaires

ouvrables : 7h00 à 17h00 du lundi au vendredi
Heure du Centre (CT)

(Horaires d'été—juin à septembre:

7h00 à 17h00 du lundi au jeudi

7h00 à 16h00 le vendredi)

Téléphone: 800-558-0607; 414-671-6350

Courriel: support@hatcocorp.com



Service d'assistance et de pièces de rechange disponible 7j/7, 24h/24 aux États-Unis et au Canada en composant le 800-558-0607.

Des renseignements supplémentaires sont disponibles sur notre site Web à www.hatcocorp.com.

⚠ AVERTISSEMENT

AVERTISSEMENT indique une situation dangereuse qui, si elle n'est pas évitée, peut provoquer la mort ou des blessures graves.

⚠ ATTENTION

ATTENTION indique une situation dangereuse qui, si elle n'est pas évitée, peut provoquer des blessures légères ou moyennes.

AVIS

AVIS est utilisé pour des questions sans rapport avec des blessures corporelles.



Lisez l'information de sécurité importante suivante avant d'utiliser cet équipement pour éviter des dommages ou la mort sérieux et pour éviter d'endommager l'équipement ou la propriété.

⚠ AVERTISSEMENT

DANGER DE DÉCHARGE ÉLECTRIQUE:

- Placez l'interrupteur sur Arrêt, débranchez le cordon d'alimentation/arrêtez le courant au disjoncteur et laissez l'unité refroidir avant d'effectuer la moindre opération de maintenance ou de nettoyage.
- NE PAS immerger l'appareil ni le saturer d'eau. L'appareil n'est pas étanche à l'eau. Ne pas le faire fonctionner s'il a été immergé ou saturé d'eau.
- L'appareil n'est pas à l'épreuve des intempéries. Placer l'appareil à l'intérieur à une température ambiante de 21°C minimum.
- Le panneau de contrôle intégré à distance peut être installé sur un mur vertical en position verticale. Installer le panneau de contrôle en position horizontale peut conduire à une accumulation de liquides et à un choc électrique.
- La tension d'opération de la vanne d'eau du boîtier de contrôle à distance dépasse 50 V (tension très faible). Le boîtier est marqué du symbole suivant, signifiant un danger: ⚡
- N'utilisez pas l'unité pour faire fondre ou conserver de la glace. Le non-respect de cette consigne peut causer de la condensation, créer un danger électrique et causer des blessures corporelles et/ou endommager l'unité. Les dommages causés par la condensation ne sont pas couverts par la garantie.
- Pour les unités sans fonction d'auto-remplissage, éteignez l'unité lorsque vous la remplissez avec de l'eau et essayez d'éviter les projections.
- Ne pas nettoyer l'appareil lorsqu'il est sous tension.
- L'appareil n'est pas résistant aux projections. N'utilisez pas de pulvérisation de jets nettoyants pour nettoyer l'appareil.
- Cette unité doit être entretenue uniquement par des personnes qualifiées. Un entretien réalisé par des personnes non-qualifiées peut entraîner des décharges électriques ou provoquer des brûlures.
- Utilisez uniquement des pièces de rechange d'origine Hatco lorsque l'entretien est nécessaire. Utilisez des pièces détachées Hatco authentiques sous peine d'annuler toutes les garanties et d'exposer l'utilisateur à des tensions électriques dangereuses pouvant entraîner une électrocution ou des brûlures. Les pièces de rechange authentiques Hatco sont spécifiées pour fonctionner en toute sécurité dans les environnements dans lesquels elles sont utilisées. Certaines pièces de rechange génériques ou d'après-vente n'ont pas les caractéristiques qui leur permettent d'opérer en toute sécurité dans les équipements Hatco.

Cet appareil ne contient aucune pièce réparable par l'utilisateur. Si cet appareil doit être réparé, contacter un réparateur Hatco agréé ou le Service après-vente Hatco au +1 800-558-0607 ou +1 414-671-6350.

⚠ AVERTISSEMENT

DANGER D'INCENDIE:

- Installez l'unité avec un minimum de 89 mm (3-1/2") d'espace entre le dessous de l'unité et toutes les surfaces inflammables afin d'éviter toute combustion.
- L'unité doit être installée en utilisant un joint mastic en bandes entre l'unité et la surface d'installation, conformément aux instructions d'installation (reportez-vous à la section Installation de ce manuel).
- N'utilisez pas de nettoyant inflammable pour nettoyer cette unité.

L'élément doit être installé par des installateurs formés et qualifiés. L'installation doit être conforme à toutes les normes locales en matière d'électricité et de plomberie. Vérifiez les procédures et les normes à suivre auprès de vos inspecteurs locaux en matière de plomberie et d'électricité.

Cet appareil ne doit pas être utilisé par des enfants ou des personnes avec des capacités physiques, sensorielles ou mentales diminuées. Assurez-vous que les enfants sont bien surveillés et tenez-les à l'écart de l'appareil.

Assurez-vous que tous les opérateurs ont été formés à l'utilisation sûre et correcte de l'appareil.

Assurez-vous que la nourriture a été chauffée à une température sans danger pour les aliments avant de les placer dans l'unité. Le non-respect de cette consigne peut entraîner des risques graves pour la santé. Cette unité n'est destinée qu'à maintenir les aliments préchauffés au chaud.

Hatco Corporation n'est pas responsable de la température réelle à laquelle les aliments sont servis. Il est de la responsabilité de l'utilisateur de s'assurer que la nourriture est conservée et servie à une température sans danger.

⚠ ATTENTION

DANGER DE BRÛLURE :

- Certaines surfaces extérieures de l'appareil deviennent chaudes. Toucher ces zones de l'appareil avec précaution.
- L'eau de vidange peut atteindre des températures allant jusqu'à 93°C (200°F). Utilisez les matériaux de plomberie appropriés lors de l'installation du système de vidange.
- NE nettoyez PAS l'unité tant qu'elle contient des aliments. Retirez les aliments et laissez l'unité refroidir complètement avant de la nettoyer.

Placer l'appareil sur un plan de travail de hauteur correcte à un endroit qui convient pour son utilisation. Le support doit être de niveau pour éviter toute chute accidentelle du grille-pain ou de son contenu et suffisamment solide pour résister au poids de l'appareil et de son contenu.

Les unités avec auto-remplissage doivent être installées avec une protection anti-reflux adaptée et doivent être conformes aux lois nationales en vigueur.

Tous les modèles

Toutes les unités de puits chauffants intégrés modulaires sont fiables et polyvalentes. Chaque unité dispose d'un compartiment en acier inoxydable et aluminium accompagné d'un élément de chauffage en métal. L'élément de chauffage est contrôlé par un système de commande de la température thermostatique et un interrupteur Marche/Arrêt situés dans le boîtier de commande à distance. Le boîtier de commande à distance est relié à l'unité via un ensemble de conduit flexible de 1 829 cm (6'). Les puits chauffants intégrés modulaires sont branchés directement sur une source d'alimentation pour une zone de service sûre et sans fil.

Tous les modèles sont équipés de matériel de fixation EZ lock et conçus pour être installés sur la partie supérieure d'une table de travail non-combustible. Les puits chauffants intégrés modulaires sont conçus, fabriqués et testés pour conserver les aliments à une température sans danger.

Modèles HWBI-2, -3, -4, -5, et -6

Les modèles HWBI peuvent contenir toute une gamme de combinaisons de bacs dans chaque puits chauffant.

- Un bac de grande taille
- Deux bacs de taille moyenne avec des barres d'adaptation
- Trois bacs de petite taille avec des barres d'adaptation
- Six bacs de très petite taille (1/6) avec des barres d'adaptation
- Deux bacs ronds 6,6 litres avec un adaptateur
- Trois bacs ronds 3,8 litres avec un adaptateur

Les bacs alimentaires, barres de support de bacs et les ustensiles adaptables sont vendus séparément (consultez la section OPTIONS ET ACCESSOIRES pour de plus amples détails).

Modèles HWBI-2D, -3D, -4D, -5D, et -6D

Les modèles HWDI-XD ont les mêmes capacités que les modèles HWBI-X, mais tous les puits disposent d'une valve d'évacuation séparée. Les valves d'écoulement comprennent un raccord de vidange NPT de 3/4" et une crépine plate qui permettent aux bacs de rester à des températures constantes.

Modèles HWBI-1DA, -2DA, -3DA, -4DA, -5DA, et -6DA

Les modèles HWDI-XDA ont les mêmes capacités que les modèles HWBI-XD, mais ils sont dotés de la fonction d'auto-remplissage.

NOTA: Auto-Fill ne remplissez gauche bien. Pour remplir tous les puits, drains doivent être raccordés à un collecteur.

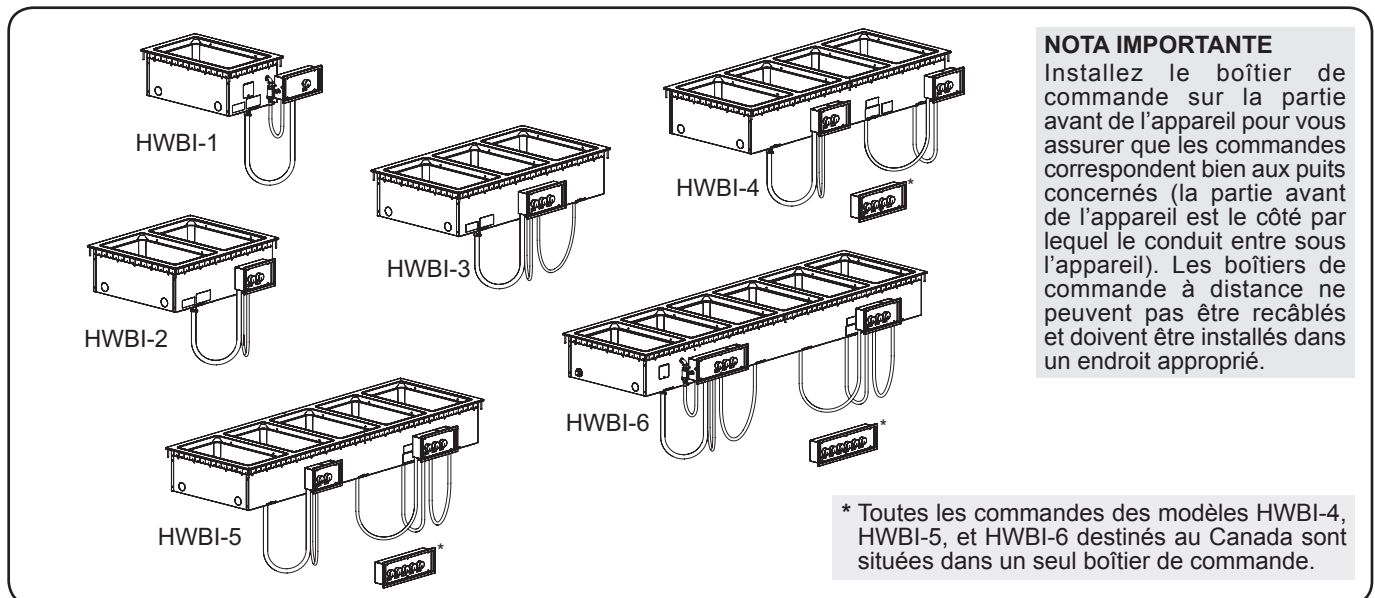
Modèles HWBI-2M, -3M, -4M, -5M, et -6M

Les modèles HWDI-XM ont les mêmes capacités que les modèles HWBI-X, mais ils sont dotés d'un ensemble de collecteur d'évacuation. L'ensemble de collecteur d'évacuation est équipé d'un raccord de vidange NPT de 2,54 cm (1"). Chaque puits relié à l'ensemble de collecteur d'évacuation comprend une crépine plate qui permet aux bacs de rester à des températures constantes.

Modèles HWBI-2MA, -3MA, -4MA, -5MA, et -6MA

Les modèles HWDI-XMA ont les mêmes capacités que les modèles HWBI-XM, mais ils sont dotés de la fonction d'auto-remplissage.

NOTA: Toutes les commandes des modèles HWBI-4, HWBI-5, et HWBI-6 destinés au Canada sont situées dans un seul boîtier de commande.



Modèles HWBI

Modèles HWBI43-1, -2, -3, -4, -5 et -6

Les modèles HWBI43-X peuvent contenir toute une gamme de combinaisons des bacs répertoriés plus bas dans chaque puits chauffant.

- Un bac grande taille et un bac de petite taille avec de barre d'adaptation.
- Quatre bacs de petite taille avec des barres d'adaptation.
- Deux bacs de taille moyenne et un bac de petite taille avec des barres d'adaptation.
- Deux bacs ronds de 11 quarts (10 l) avec un couvercle d'adaptation.

Les bacs, les couvercles, les barres d'adaptation et les ustensiles adaptables sont vendus séparément (consultez la section OPTIONS ET ACCESSOIRES pour de plus amples détails).

HWBI43-1D, -2D, -3D, -4D, -5D, et -6D Modèles

Les modèles HWBI43-XD ont les mêmes capacités que les modèles HWBI43-X, mais tous les puits disposent d'une valve d'évacuation séparée. Le système de vidange comprend un raccord de vidange NPT de 1,9 cm (3/4") et une crépine plate qui permettent aux bacs de rester à des températures constantes. Ces modèles sont conçus pour être montés sur la face supérieure d'une table de travail ininflammable ou sur un pont avec une table de travail inflammable en utilisant le kit d'installation pour table de travail approprié.

Modèles HWBI43-1DA, -2DA, -3DA, -4DA, -5DA, et -6DA

Les modèles HWBI43-XDA ont les mêmes capacités que les modèles HWBI43-XD, mais ils sont dotés de la fonction d'autoremplissage. La fonction d'autoremplissage remplit et maintient automatiquement l'eau à un niveau adéquat dans le puits. Ces modèles sont conçus pour être montés sur la face supérieure d'une table de travail ininflammable ou sur un pont avec une table de travail inflammable en utilisant le kit d'installation pour table de travail approprié.

NOTA : La fonction d'autoremplissage ne remplira que le puits de gauche. Pour remplir tous les puits, les vidanges doivent être connectées à un collecteur d'évacuation.

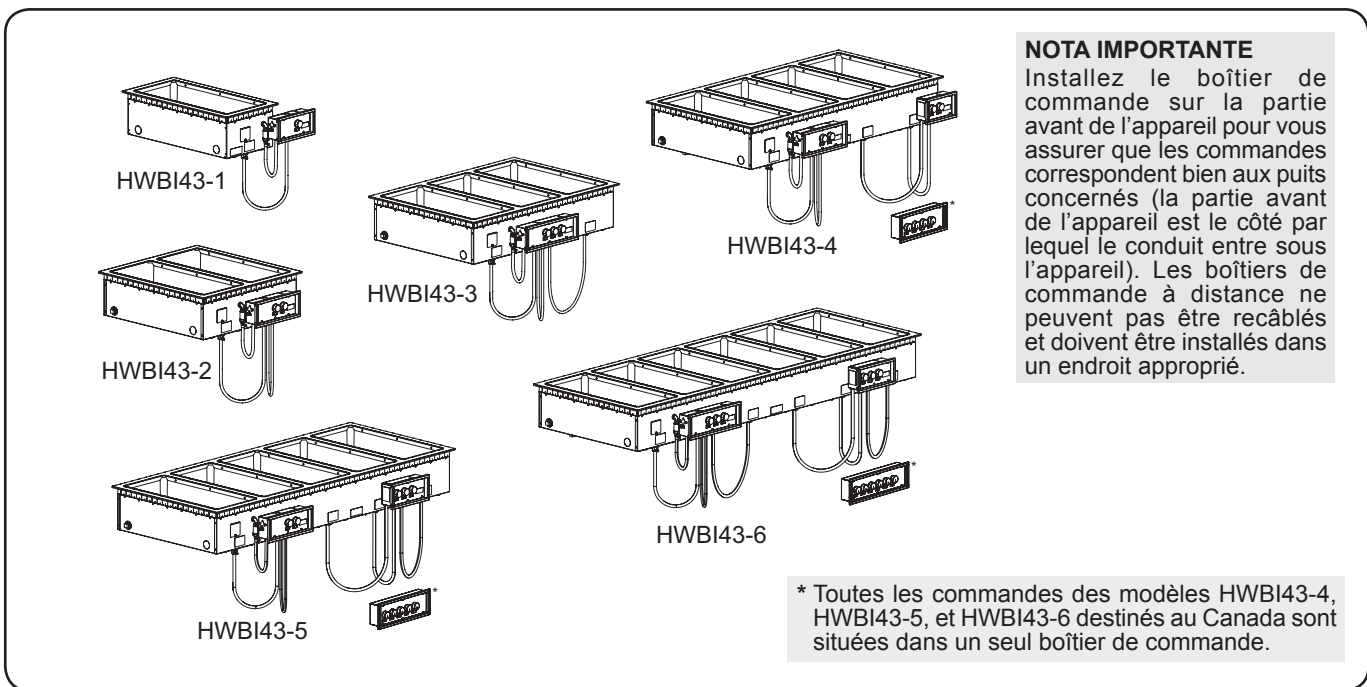
Modèles HWBI43-2M, -3M, -4M, -5M et -6M

Les modèles HWBI43-XM ont les mêmes capacités que les modèles HWBI43-X, mais ils sont dotés d'un ensemble de collecteurs d'évacuation. L'ensemble de collecteurs d'évacuation est équipé d'un raccord de vidange NPT de 2,54 cm (1"). Chaque puits relié à l'ensemble de collecteurs d'évacuation comprend une crépine plate qui permet aux bacs de rester à des températures constantes.

Modèles HWBI43-2MA, -3MA, -4MA, -5MA et -6MA

Les modèles HWBI43-XMA ont les mêmes capacités que les modèles HWBI43-XM, mais ils sont dotés de la fonction d'autoremplissage.

NOTA : Toutes les commandes des modèles HWBI43-4, HWBI43-5 et HWBI43-6 destinés au Canada sont situées dans un seul boîtier de commande.



NOTA IMPORTANTE
Installez le boîtier de commande sur la partie avant de l'appareil pour vous assurer que les commandes correspondent bien aux puits concernés (la partie avant de l'appareil est le côté par lequel le conduit entre sous l'appareil). Les boîtiers de commande à distance ne peuvent pas être recâblés et doivent être installés dans un endroit approprié.

* Toutes les commandes des modèles HWBI43-4, HWBI43-5, et HWBI43-6 destinés au Canada sont situées dans un seul boîtier de commande.

HWBI43 Models

Configurations des fiches

Certaines unités sont initialement fournies par l'usine avec un câble et une fiche électriques préinstallés. Les fiches fournies correspondent à leur application. Pour plus de détails, consultez la section OPTIONS ET ACCESSOIRES.

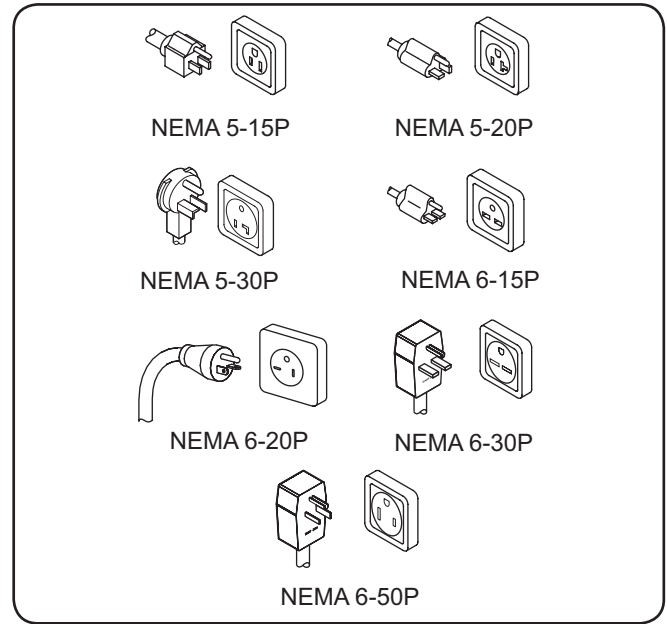
⚠ AVERTISSEMENT

DANGER DE DÉCHARGE ÉLECTRIQUE: Pour les unités câblées, branchez l'unité à une prise correctement reliée à la terre et possédant le voltage, la dimension et la configuration adéquats. Si la fiche et la prise ne correspondent pas, contactez un électricien qualifié afin de déterminer et d'installer une prise électrique possédant la taille et la tension adéquate.

NOTA: Étiquette de caractéristiques techniques située sur le côté de l'unité. Veuillez vous reporter à l'étiquette du numéro de série et des données électriques de l'appareil.

Caractéristiques de l'approvisionnement en eau (Unités avec auto-remplissage)

	Minimum	Maximum
Pression de l'eau	172 kPa (25 psi)	689 kPa (100 psi)
Température de l'eau	2°C (35°F)	43°C (110°F)



Configurations des fiches

NOTA: Prise non fournie par Hatco.

Tableau des valeurs nominales électriques (suite)

Modèle	Tension	Circuit	Intensité	Amps	Phase	Configuration de Fiches	Poids d'embarquement*
HWBLI-1	120	1	750	6.3	1	NEMA 5-15P	17 kg (38 lbs.)
HWBI-1 et HWBI43-1**	120		1215	10.1		NEMA 6-15P	
	208		1215	5.8			
	240		1215	5.1			
	220-230	1	1215-1328	5.5-5.8	1	N/A	17 kg (38 lbs.)
	230-240		1116-1215	4.9-5.1			
HWBLI-2	120	1	1500	12.5	1	NEMA 5-20P	33 kg (73 lbs.)
HWBI-2 et HWBI43-2	208		2415	11.6		NEMA 6-15P	
			2415	10.1		N/A	
			2415	10.1		NEMA 6-15P	
			2415	8.7		N/A	
	220-230		1	2415-2640		11.0-11.5	
	230-240	2218-2415		9.6-10.1			
HWBLI-3	120	1	2250	18.8	1	NEMA 5-30P	47 kg (103 lbs.)
HWBI-3 et HWBI43-3	208		3615	17.4		NEMA 6-30P	
			3615	10.1		N/A	
			3615	15.1		NEMA 6-20P	
			3615	8.8		N/A	
	220-230		1	3615-3951		16.4-17.2	
	230-240	3320-3615		14.4-15.1			

Les zones ombrées contiennent des informations électriques pour les modèles internationaux uniquement.

*Ajoutez 1,4 kg (3 lb) pour les modèles « D » et « DA ».

** Modèle HWBI43-1 pas disponible en 120 volts.

NOTA: Le poids d'embarquement comprend l'emballage.

Tableau des valeurs nominales électriques (suite)

Modèle	Tension	Circuit	Intensité	Amps	Phase	Configuration de Fiches	Poids d'embarquement*
HWBLI-4	120	1	3000	25.0	1	N/A	60 kg (132 lbs.)
HWBI-4 et HWBI43-4	208 ‡	1	2415	11.6	1		
		2	2400	11.5	1		
	208	1	4815	15.8	3		
240 ‡	1	2415	10.1	1			
	2	2400	10.0	1			
240	1	4815	13.7	3			
208 †	1	4815	23.1	1	NEMA 6-30P		
			15.8	3	N/A		
240 †	1	4815	20.1	1	NEMA 6-30P		
			13.7	3	N/A		
220-230 ‡	1	2	2415-2639	11.0-11.5	1	N/A	60 kg (132 lbs.)
			2400-2623	10.9-11.4	1		
230-240 ‡	1	2	2218-2415	9.6-10.1	1		
			2204-2400	9.6-10.0	1		
HWBLI-5	120	1	3750	31.3	1	N/A	76 kg (167 lbs.)
HWBI-5 et HWBI43-5	208 ‡	1	2415	11.6	1		
		2	3600	17.3	1		
	208	1	6015	20.1	3		
240 ‡	1	2415	10.1	1			
	2	3600	15.0	1			
240	1	6015	17.4	3			
208 †	1	6015	28.9	1	NEMA 6-50P		
			20.1	3	N/A		
240 †	1	6015	25.1	1	NEMA 6-50P		
			17.4	3	N/A		
220-230 ‡	1	2	2415-2640	11.0-11.5	1	N/A	76 kg (167 lbs.)
			3600-3935	16.4-17.1	1		
230-240 ‡	1	2	2218-2415	9.6-10.1	1		
			3306-3600	14.4-15.0	1		
HWBLI-6	120	1	4500	37.5	1	N/A	86 kg (190 lbs.)
HWBI-6 et HWBI43-6	208 ‡	1	3615	17.4	1		
		2	3600	17.3	1		
	208	1	7215	20.1	3		
240 ‡	1	3615	15.1	1			
	2	3600	15.0	1			
240	1	7215	17.4	3			
208 †	1	7215	34.7	1	NEMA 6-50P		
			20.1	3	N/A		
240 †	1	7215	30.1	1	NEMA 6-50P		
			17.4	3	N/A		
220-230 ‡	1	2	3615-3951	16.5-17.2	1	N/A	86 kg (190 lbs.)
			3600-3934	16.4-17.1	1		
230-240 ‡	1	2	3320-3615	14.4-15.1	1		
			3306-3600	14.4-15.0	1		

† Unité destinée au Canada avec un seul boîtier de commande à distance.

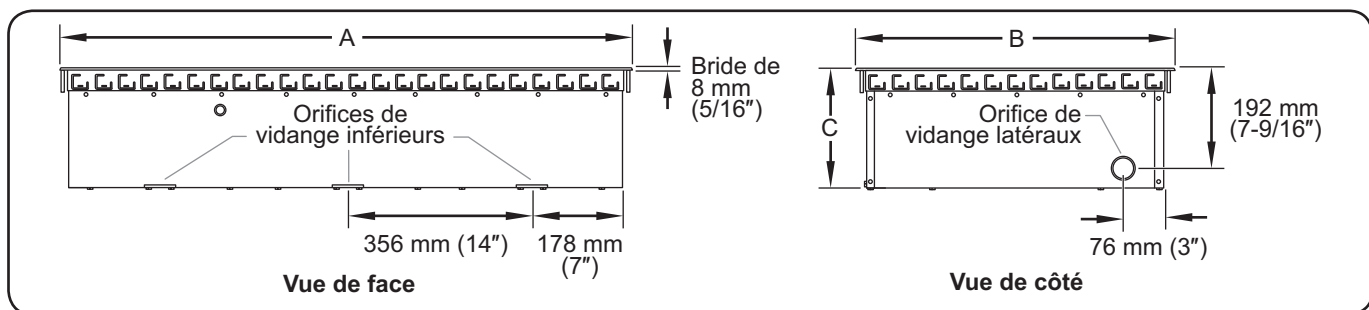
‡ Unité avec plusieurs connexions de circuit. Chaque circuit nécessite son propre disjoncteur.

Dimensions

Modèle	Largeur (A)	Profondeur (B)*	Hauteur (C)
HWBI-1	394 mm (15-1/2")	600 mm (23-5/8")	244 mm (9-5/8")
HWBI-2	749 mm (29-1/2")	600 mm (23-5/8")	244 mm (9-5/8")
HWBI-3	1105 mm (43-1/2")	600 mm (23-5/8")	244 mm (9-5/8")
HWBI-4	1461 mm (57-1/2")	600 mm (23-5/8")	244 mm (9-5/8")
HWBI-5	1816 mm (71-1/2")	600 mm (23-5/8")	244 mm (9-5/8")
HWBI-6	2172 mm (85-1/2")	600 mm (23-5/8")	244 mm (9-5/8")

Modèle	Largeur (A)	Profondeur (B)*	Hauteur (C)
HWBI43-1	394 mm (15-1/2")	30-3/8" (772 mm)	244 mm (9-5/8")
HWBI43-2	749 mm (29-1/2")	30-3/8" (772 mm)	244 mm (9-5/8")
HWBI43-3	1105 mm (43-1/2")	30-3/8" (772 mm)	244 mm (9-5/8")
HWBI43-4	1461 mm (57-1/2")	30-3/8" (772 mm)	244 mm (9-5/8")
HWBI43-5	1816 mm (71-1/2")	30-3/8" (772 mm)	244 mm (9-5/8")
HWBI43-6	2172 mm (85-1/2")	30-3/8" (772 mm)	244 mm (9-5/8")

* Les unités avec cadre grande dimension ont une profondeur (B) de 686 mm (27").



Généralités

Les unités de puits chauffants intégrés modulaires sont fournies par l'usine avec la plupart des composants assemblés et prêts à l'emploi. Utilisez les procédures suivantes pour l'installation de l'unité.

NOTA: Pour toutes les unités de puits chauffants intégrés modulaires, le boîtier de commande doit être installé pour pouvoir fonctionner à distance.

NOTA: Assurez-vous que l'emplacement pour l'installation fournit suffisamment de place pour le boîtier de commande à distance intégré, les connexions électriques et la tuyauterie.

⚠ AVERTISSEMENT

L'appareil n'est pas à l'épreuve des intempéries. Placer l'appareil à l'intérieur à une température ambiante de 21°C minimum.

DANGER D'INCENDIE:

- Installez l'unité avec un minimum de 89 mm (3-1/2") d'espace entre le dessous de l'unité et toutes les surfaces inflammables afin d'éviter toute combustion.
- L'unité doit être installée en utilisant un joint mastic en bandes entre l'unité et la surface d'installation, conformément aux instructions d'installation (reportez-vous à la section Installation de ce manuel).

L'élément doit être installé par des installateurs formés et qualifiés. L'installation doit être conforme à toutes les normes locales en matière d'électricité et de plomberie. Vérifiez les procédures et les normes à suivre auprès de vos inspecteurs locaux en matière de plomberie et d'électricité.

⚠ ATTENTION

Placer l'appareil sur un plan de travail de hauteur correcte à un endroit qui convient pour son utilisation. Le support doit être de niveau pour éviter toute chute accidentelle du grille-pain ou de son contenu et suffisamment solide pour résister au poids de l'appareil et de son contenu.

AVIS

Ne pas utiliser l'appareil à un endroit exposé à des températures excessives ou de la graisse de grills, friteuses, etc. Les températures excessives risquent d'abîmer l'appareil.

L'unité est conçue et recommandée pour fonctionner encastrée ou posée sur une table de travail en métal. La garantie Hatco ne couvre pas les dommages faits à la table de travail. Pour les autres surfaces, vérifiez auprès de leurs fabricants que le matériau peut supporter de façon durable des températures atteignant 93°C (200°F).

1. Retirez l'appareil du carton de livraison et retirez tous les éléments d'emballage

NOTA : Pour éviter des retards dans l'obtention de la couverture de la garantie, complétez l'enregistrement en ligne de votre garantie. Lisez la section INFORMATIONS IMPORTANTES POUR LE PROPRIÉTAIRE pour plus de détails.

2. Retirez le ruban et l'emballage de protection de toutes les surfaces de l'appareil.

NOTA: Faites appel à un électricien qualifié pour brancher les unités à une source d'alimentation. Faites appel à un plombier qualifié pour relier les orifices de vidange à l'arrivée d'eau.

3. Installez l'unité à l'emplacement souhaité. Suivez la procédure adaptée selon l'installation choisie.

NOTA: Les modèles HWBI43 ne peuvent être installés qu'à l'aide du système de montage avec visserie EZ lock.

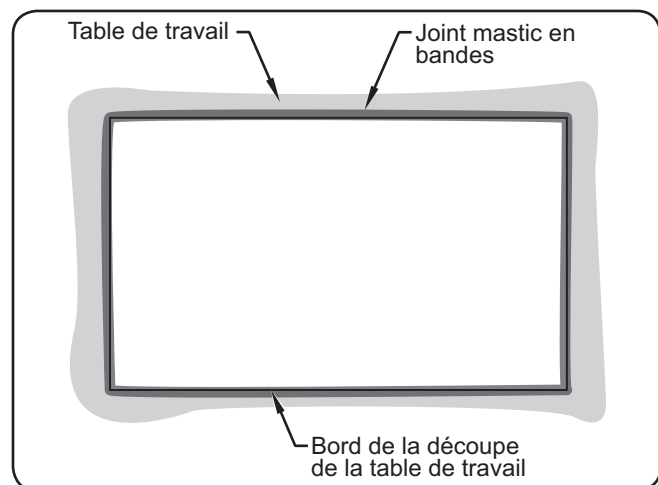
4. Installez le boîtier de commande à distance (consultez la procédure « Installation d'un boîtier de commande à distance » plus loin dans cette section).

Système de montage avec visserie EZ lock

NOTA: Découpez l'ouverture de l'unité et du boîtier de commande avant de placer l'unité dans l'ouverture faite dans la table de travail.

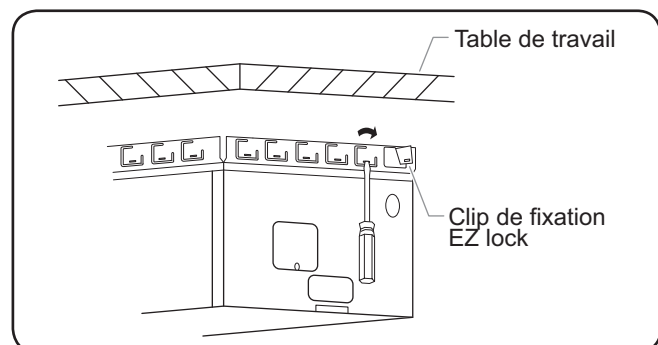
1. Découpez l'ouverture appropriée dans la table de travail. Consultez le tableau « Découpe de la table de travail » ci-dessous.
2. Découpez l'ouverture appropriée pour le(s) boîtier(s) de commande. Consultez le tableau « Dimensions pour la découpe du boîtier de commande » plus loin dans cette section.
3. Placez le joint mastic en bandes sur la bordure de la découpe de la table de travail. Veillez à ce que le joint mastic en bandes dépasse de la bordure de la découpe ou scellez l'unité avec un adhésif à base de silicone.

NOTA: Un rouleau de joint mastic en bandes est fourni avec l'unité.



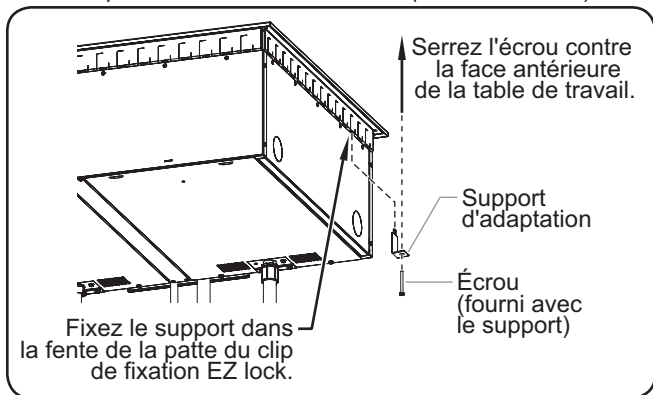
Installation du joint mastic en bandes

4. Placez l'appareil dans l'ouverture de la table de travail.
5. À l'aide d'un tournevis, tournez le clip de fixation EZ lock de l'unité vers l'extérieur pour fixer l'unité en-dessous de la table de travail. Faites tourner autant de pattes que nécessaire pour fixer l'unité à la table de travail.



Clips de fixation EZ lock

NOTA: Les clips de fixation EZ lock d'Hatco fonctionnent sur des tables de travail dont l'épaisseur maximale est de 5 mm (3/16"). Pour les tables de travail dont l'épaisseur est comprise entre 5 mm et 5 cm (entre 3/16" et 2"), utilisez un nombre approprié de supports de fixation selon l'épaisseur de la table de travail (HWB-MNT-REC).



Support d'adaptation pour tables de travail épaisses

6. Coupez soigneusement et retirez l'excès de joint mastic en bandes des bords de l'unité.
7. Installez le(s) boîtier(s) de commande. Consultez la procédure « Installation du boîtier de commande à distance » de cette section.

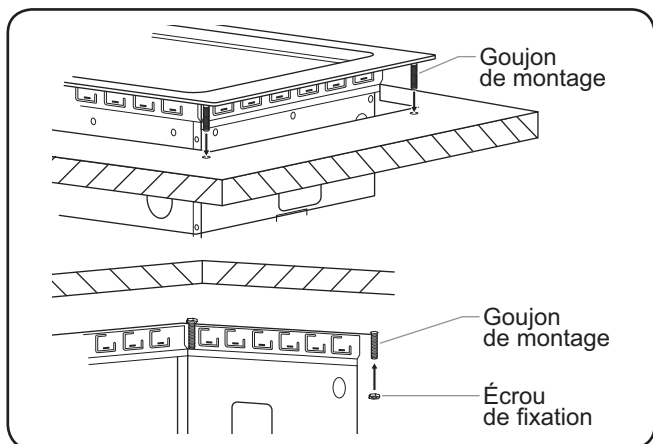
Système de montage avec goujon intégré

NOTA: Ce type d'installation n'est pas offert pour les modèles HWBI43.

NOTA: Découpez l'ouverture de l'unité et du boîtier de commande avant de placer l'unité dans l'ouverture faite dans la table de travail.

1. Découpez l'ouverture appropriée dans la table de travail and percez les trous pour les goujons de montage. Consultez le tableau « Découpe de la table de travail » ci-dessous.
2. Découpez l'ouverture appropriée pour le(s) boîtier(s) de commande Consultez le tableau « Dimensions pour la découpe du boîtier de commande » plus loin dans cette section.
3. Placez le joint mastic en bandes sur la bordure de la découpe de la table de travail. Veillez à ce que le joint mastic en bandes dépasse de la bordure de la découpe ou scellez l'unité avec un adhésif à base de silicone.

NOTA: Un rouleau de joint mastic en bandes est fourni avec l'unité.



Montage à goujon intégré

4. Placez l'unité dans l'ouverture de la table de travail et fixez-la solidement aux goujons de montage avec des écrous de fixation de 6,3 mm (1/4-20"). Serrez fermement les écrous.
5. Coupez soigneusement et retirez l'excès de joint mastic en bandes des bords de l'unité.
6. Installez le(s) boîtier(s) de commande. Consultez la procédure « Installation du boîtier de commande à distance » de cette section.

Système de montage avec vis

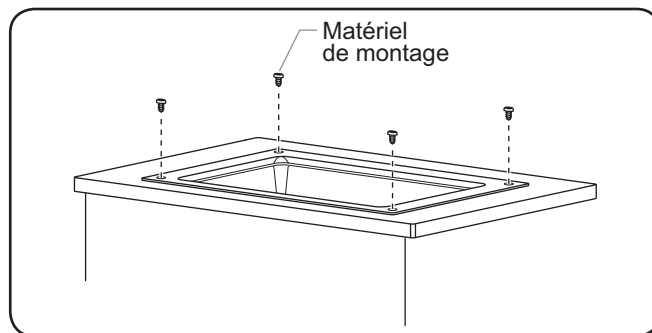
NOTA: Ce type d'installation n'est pas offert pour les modèles HWBI43.

NOTA: Découpez l'ouverture de l'unité et du boîtier de commande avant de placer l'unité dans l'ouverture faite dans la table de travail.

1. Découpez l'ouverture appropriée dans la table de travail et percez les trous appropriés. Consultez le tableau « Découpe de la table de travail » ci-dessous.
2. Découpez l'ouverture appropriée pour le(s) boîtier(s) de commande Consultez le tableau « Dimensions pour la découpe du boîtier de commande » plus loin dans cette section.
3. Placez le joint mastic en bandes sur la bordure de la découpe de la table de travail. Veillez à ce que le joint mastic en bandes dépasse de la bordure de la découpe ou scellez l'unité avec un adhésif à base de silicone.

NOTA: Un rouleau de joint mastic en bandes est fourni avec l'unité.

4. Placez l'unité dans l'ouverture de la table de travail et fixez solidement avec le matériel de montage adapté (non fourni).



Montage avec vis

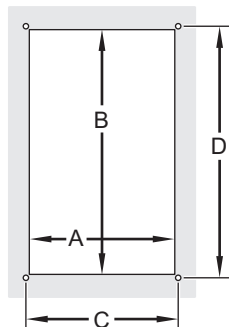
5. Coupez soigneusement et retirez l'excès de joint mastic en bandes des bords de l'unité.
6. Installez le(s) boîtier(s) de commande. Consultez la procédure « Installation du boîtier de commande à distance » de cette section.

Modèles des découpes dan la table de travail

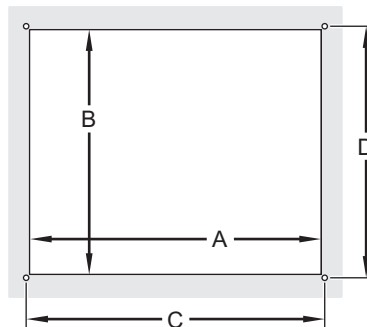
Modèle	Montage	Ouverture de l'unité Largeur (A)	Ouverture de l'unité Profondeur (B)	Trous de montage Largeur (C)	Trous de montage Profondeur (D)*
HWBI-1	Clip de fixation EZ	359–365 mm (14-1/8"–14-3/8")	565–572 mm (22-1/4"–22-1/2")	N/A	N/A
	Goujon	359–364 mm (14-1/8"–14-5/16")		375 mm (14-3/4")	581 mm (22-7/8")
	Avec vis				
HWBI43-1	Clip de fixation EZ	362 mm (14-1/4")	740 mm (29-1/8")	N/A	N/A
HWBI-2	Clip de fixation EZ	714–721 mm (28-1/8"–28-3/8")	565–572 mm (22-1/4"–22-1/2")	N/A	N/A
	Goujon	714–719 mm (28-1/8"–28-5/16")		730 mm (28-3/4")	581 mm (22-7/8")
	Avec vis				
HWBI43-2	Clip de fixation EZ	718 mm (28-1/4")	740 mm (29-1/8")	N/A	N/A
HWBI-3	Clip de fixation EZ	1070–1076 mm (42-1/8"–42-3/8")	565–572 mm (22-1/4"–22-1/2")	N/A	N/A
	Goujon	1070–1075 mm (42-1/8"–42-5/16")		1086 mm (42-3/4")	581 mm (22-7/8")
	Avec vis				
HWBI43-3	Clip de fixation EZ	1073 mm (42-1/4")	740 mm (29-1/8")	N/A	N/A
HWBI-4	Clip de fixation EZ	1425–1432 mm (56-1/8"–56-3/8")	565–572 mm (22-1/4"–22-1/2")	N/A	N/A
	Goujon	1425–1432 mm (56-1/8"–56-5/16")		721 mm (28-3/8")	581 mm (22-7/8")
	Avec vis				
HWBI43-4	Clip de fixation EZ	1429 mm (56-1/4")	740 mm (29-1/8")	N/A	N/A
HWBI-5	Clip de fixation EZ	1781–1787 mm (70-1/8"–70-3/8")	565–572 mm (22-1/4"–22-1/2")	N/A	N/A
	Goujon	1781–1786 mm (70-1/8"–70-5/16")		899 mm (35-3/8")	581 mm (22-7/8")
	Avec vis				
HWBI43-5	Clip de fixation EZ	1784 mm (70-1/4")	740 mm (29-1/8")	N/A	N/A
HWBI-6	Clip de fixation EZ	2137–2143 mm (84-1/8"–84-3/8")	565–572 mm (22-1/4"–22-1/2")	N/A	N/A
	Goujon	2137–2142 mm (84-1/8"–84-5/16")		1076 mm (42-3/8")	581 mm (22-7/8")
	Avec vis				
HWBI43-6	Clip de fixation EZ	2140 mm (84-1/4")	740 mm (29-1/8")	N/A	N/A

* Pour les unités avec cadre grande dimension (en option), la profondeur des trous de fixation (D) est de 667 mm (26-1/4").

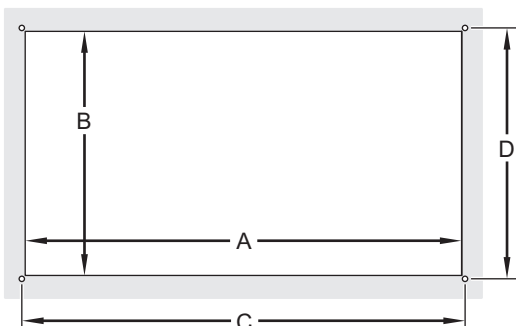
NOTA: Les modèles de la série HWBI43 ne sont offerts que dotés de l'option de montage avec clip de fixation EZ.



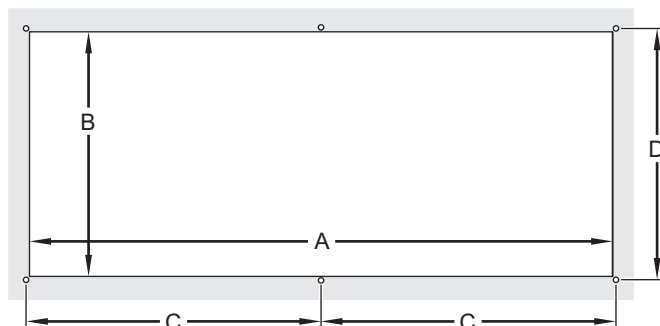
HWBI-1 et HWBI43-1



HWBI-2 et HWBI43-2



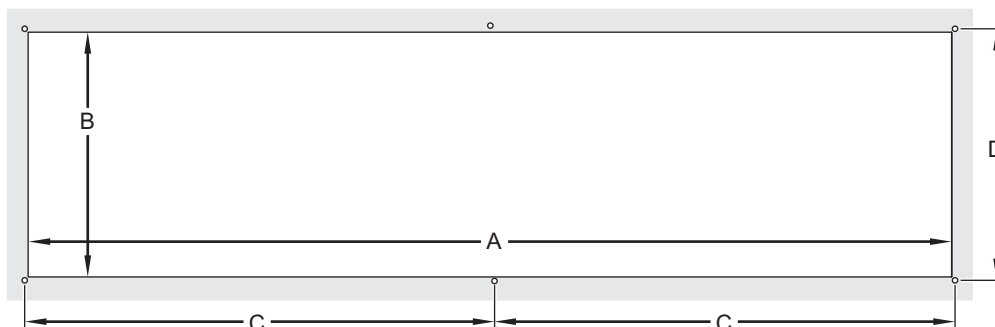
HWBI-3 et HWBI43-3



HWBI-4 et HWBI43-4



HWBI-5 et HWBI43-5



HWBI-6 et HWBI43-6

NOTA: L'espace minimal nécessaire sous la découpe de la table de travail est de 333 mm (13-1/8") pour une installation sur des surfaces combustibles et 279 mm (11") pour les surfaces non-combustibles. Prévoyez un espace suffisamment large pour les unités équipées d'un orifice de vidange.

Modèles de découpe de table de travail

Installation du boîtier de commande à distance

Installez le boîtier de commande sur la partie avant de l'appareil pour vous assurer que les commandes correspondent bien aux puits concernés (la partie avant de l'appareil est le côté par lequel le conduit entre sous l'appareil). Les boîtiers de commande à distance ne peuvent pas être recâblés et doivent être installés dans un endroit approprié.

⚠ AVERTISSEMENT

DANGER DE DÉCHARGE ÉLECTRIQUE:

- Le panneau de contrôle intégré à distance peut être installé sur un mur vertical en position verticale. Installer le panneau de contrôle en position horizontale peut conduire à une accumulation de liquides et à un choc électrique.
- La tension d'opération de la vanne d'eau du boîtier de contrôle à distance dépasse 50 V (tension très faible). Le boîtier est marqué du symbole suivant, signifiant un danger: ⚡

NOTA: Faites appel à un électricien qualifié pour brancher les unités à une source d'alimentation. Faites appel à un plombier qualifié pour relier les orifices de vidange à l'arrivée d'eau.

NOTA: Consultez la procédure « Auto-remplissage latéral » ou « Auto-remplissage inférieur » de la section OPTIONS ET ACCESSOIRES avant d'installer un boîtier de commande à distance.

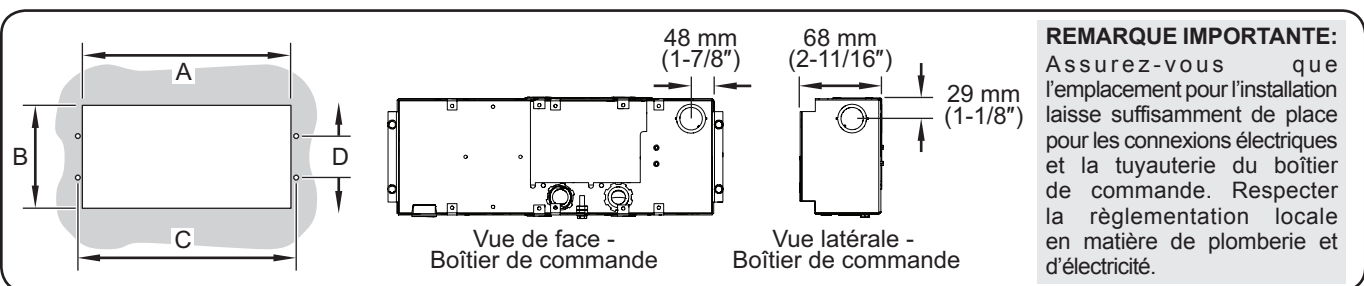
1. Coupez et percez les trous appropriés dans la surface de fixation. Consultez le paragraphe « Dimensions pour la découpe du boîtier de commande » ci-dessous pour obtenir les dimensions de découpe de chaque boîtier de commande.

- La profondeur de découpe nécessaire à tous les boîtiers de commande est de 127 mm (5").
- Assurez-vous d'avoir assez d'espace à l'intérieur de la découpe si vous devez installer un conduit sur le côté du boîtier de commande.

Dimensions pour la découpe du boîtier de commande

Modèle	Dimensions de l'ouverture		Dimensions du pas de vis	
	(A)	(B)	(C)	(D)
HWBI-1 et HWBI43-1 Commande avec auto-remplissage Commande sans auto-remplissage	257 mm (10-1/8") 146 mm (5-3/4")	121 mm (4-3/4") 121 mm (4-3/4")	265 mm (10-7/16") 154 mm (6-5/16")	64 mm (2-1/2") 64 mm (2-1/2")
HWBI-2 et HWBI43-2 Commande avec auto-remplissage Commande sans auto-remplissage	314 mm (12-3/8") 203 mm (8")	121 mm (4-3/4") 121 mm (4-3/4")	322 mm (12-11/16") 211 mm (8-5/16")	64 mm (2-1/2") 64 mm (2-1/2")
HWBI-3 et HWBI43-3 Commande avec auto-remplissage Commande sans auto-remplissage	371 mm (14-5/8") 260 mm (10-1/4")	121 mm (4-3/4") 121 mm (4-3/4")	379 mm (14-15/16") 268 mm (10-9/16")	64 mm (2-1/2") 64 mm (2-1/2")
HWBI-4 et HWBI43-4 Commande gauche avec auto-remplissage Commande gauche sans auto-remplissage Commande droite Boîtier de commande avec auto-remplissage* Boîtier de commande sans auto-remplissage*	314 mm (12-3/8") 203 mm (8") 203 mm (8") 429 mm (16-7/8") 318 mm (12-1/2")	121 mm (4-3/4") 121 mm (4-3/4") 121 mm (4-3/4") 121 mm (4-3/4") 121 mm (4-3/4")	322 mm (12-11/16") 211 mm (8-5/16") 211 mm (8-5/16") 437 mm (17-3/16") 325 mm (12-13/16)	64 mm (2-1/2") 64 mm (2-1/2") 64 mm (2-1/2") 64 mm (2-1/2") 64 mm (2-1/2")
HWBI-5 et HWBI43-5 Commande gauche avec auto-remplissage Commande gauche sans auto-remplissage Commande droite Boîtier de commande avec auto-remplissage* Boîtier de commande sans auto-remplissage*	314 mm (12-3/8") 203 mm (8") 260 mm (10-1/4") 486 mm (19-1/8") 375 mm (14-3/4")	121 mm (4-3/4") 121 mm (4-3/4") 121 mm (4-3/4") 121 mm (4-3/4") 121 mm (4-3/4")	322 mm (12-11/16") 211 mm (8-5/16") 268 mm (10-9/16") 494 mm (19-7/16") 383 mm (15-1/16")	64 mm (2-1/2") 64 mm (2-1/2") 64 mm (2-1/2") 64 mm (2-1/2") 64 mm (2-1/2")
HWBI-6 et HWBI43-6 Commande gauche avec auto-remplissage Commande gauche sans auto-remplissage Commande droite Boîtier de commande avec auto-remplissage* Boîtier de commande sans auto-remplissage*	371 mm (14-5/8") 260 mm (10-1/4") 260 mm (10-1/4") 543 mm (21-3/8") 432 mm (17")	121 mm (4-3/4") 121 mm (4-3/4") 121 mm (4-3/4") 121 mm (4-3/4") 121 mm (4-3/4")	378 mm (14-7/8") 267 mm (10-1/2") 267 mm (10-1/2") 549 mm (21-5/8") 438 mm (17-1/4")	64 mm (2-1/2") 64 mm (2-1/2") 64 mm (2-1/2") 64 mm (2-1/2") 64 mm (2-1/2")

*Unités des séries HWBI-4, -5, et -6 avec toutes les commandes dans un seul boîtier de commande — pour les unités à destination du Canada.



REMARQUE IMPORTANTE: Assurez-vous que l'emplacement pour l'installation laisse suffisamment de place pour les connexions électriques et la tuyauterie du boîtier de commande. Respecter la réglementation locale en matière de plomberie et d'électricité.

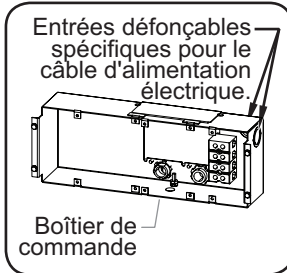
Dimensions pour la découpe de l'ensemble du boîtier de commande

- Pour les unités avec deux boîtiers de commande : Si l'unité est dotée de la fonction d'auto-remplissage, la taille de découpe sera différente pour chaque boîtier (voir tableau ci-dessous).

REMARQUE IMPORTANTE :

Installez le boîtier de commande sur la partie avant de l'unité pour vous assurer que les commandes correspondent bien aux puits concernés. La partie avant de l'unité est le côté par lequel le conduit entre sous l'unité.

2. Retirez le couvercle à découper de l'ensemble du boîtier de commande.
3. Placez le boîtier de commande dans l'ouverture par la face arrière.
4. À l'aide d'un tournevis (vis à tête n° 8 fournies), fixez le boîtier de commande à la surface de fixation.
5. Branchez le boîtier de commande à distance intégré à une source d'alimentation appropriée. Le câblage doit être installé au moins 102 mm (4") en dessous du puits.



6. Si votre unité en est équipée, branchez l'approvisionnement en eau au système d'auto-remplissage en option. Consultez la procédure « Auto-remplissage latéral » ou « Auto-remplissage inférieur » de la section OPTIONS ET ACCESSOIRES.
7. Réinstallez le couvercle à découper. Fixez le revêtement sur la surface de montage à l'aide d'un joint en silicone.

NOTA: Les unités approuvées par l'UL sont équipées d'un conduit flexible de 1829 mm (72") branché au boîtier de commande.

Branchement d'un tuyau de vidange

Après avoir installé une unité équipée d'un orifice de vidange ou d'un collecteur dans la table de travail, suivez la procédure suivante pour connecter l'unité au tuyau de vidange disponible sur place. Consultez la section OPTIONS ET ACCESSOIRES pour plus d'informations concernant le collecteur d'évacuation avec valve.



RISQUE DE BRÛLURES : L'eau de vidange peut atteindre des températures allant jusqu'à 93°C (200°F). Utilisez les matériaux de plomberie appropriés lors de l'installation du système de vidange.

NOTA: Consultez un entrepreneur en plomberie agréé pour que l'installation du système de vidange soit conforme aux normes de plomberie locales.

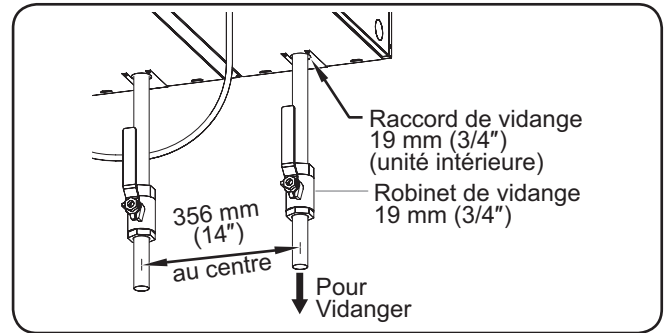
NOTA: En cas de besoin, un intervalle d'air approuvé ou un dispositif de prévention anti-retour doit être installé par un plombier agréé.

Unités avec orifice de vidange individuel

1. Connectez le conduit de vidange (non fourni) du raccord de vidange NPT de 1,90 cm (3/4") situé sur le dessous du puits au robinet de vidange de 1,90 cm (3/4") (non fourni mais disponible parmi les accessoires d'Hatco ; consultez la section OPTIONS ET ACCESSOIRES).

NOTA: Le robinet de vidange doit être installé dans un endroit facile d'accès pour la personne en charge.

2. Connectez le robinet de vidange au tuyau d'évacuation (non fourni par Hatco) disponible sur place.



Connexion de la vidange

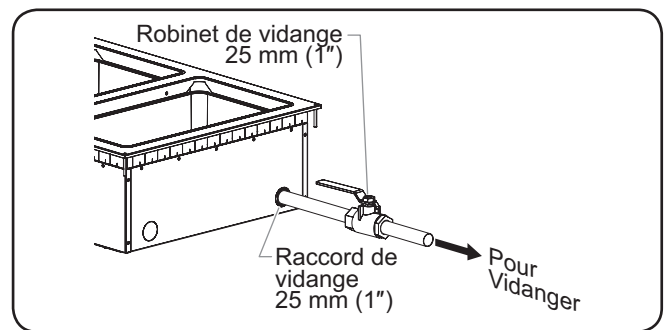
Unités avec collecteur d'évacuation

1. Connectez le conduit d'évacuation (non fourni) du raccord de vidange NPT de 2,54 cm (1") au robinet de vidange de 2,54 cm (1") (non fourni mais disponible parmi les accessoires d'Hatco ; consultez la section OPTIONS ET ACCESSOIRES).

- Orifice de vidange latéral/d'extrémité : orifice de vidange situé à chaque extrémité de l'unité.
- Orifice de vidange inférieur : orifice de vidange situé sur la partie inférieure de chaque extrémité de l'unité.

NOTA: Le robinet de vidange doit être installé dans un endroit facile d'accès pour la personne en charge.

2. Connectez le robinet de vidange au tuyau d'évacuation (non fourni par Hatco) disponible sur place.



Connexion du collecteur d'évacuation

Généralités

Suivez les procédures suivantes pour faire fonctionner un puits chauffant intégré modulaire.

AVERTISSEMENT

Lire tous les messages de sécurité de la section Consignes de sécurité importantes avant d'utiliser ce matériel.

DANGER DE DÉCHARGE ÉLECTRIQUE:

- N'utilisez pas l'unité pour faire fondre ou conserver de la glace. Le non-respect de cette consigne peut causer de la condensation, créer un danger électrique et causer des blessures corporelles et/ou endommager l'unité. Les dommages causés par la condensation ne sont pas couverts par la garantie.
- Pour les unités sans fonction d'auto-remplissage, éteignez l'unité lorsque vous la remplissez avec de l'eau et essayez d'éviter les projections.

AVIS

Les graisses standard et approuvées utilisées lors de la fabrication peuvent provoquer des fumées au cours du démarrage initial pendant 30 minutes. Il s'agit d'un état temporaire. Utilisez l'appareil sans produit alimentaire jusqu'à ce que la fumée disparaisse.

Laissez l'unité refroidir jusqu'à ce qu'elle ait atteint la température ambiante avant de passer d'une utilisation à eau vers une utilisation à sec et vice versa. Laissez l'unité fonctionner « à sec » ou ajouter de l'eau lorsqu'elle est en position « à eau » endommagera l'unité.

Les puits chauffants intégrés modulaires d'Hatco sont conçus pour un fonctionnement À EAU ou À SEC. Hatco recommande un fonctionnement « à eau » pour un chauffage constant des aliments. Si l'unité fonctionne en mode « à eau » mais qu'elle peut également passer en mode « à sec », éteignez-la et laissez-la refroidir avant d'y ajouter de l'eau.

Démarrage

1. Préparez le fonctionnement du puits chauffant.
 - Si vous utilisez les puits à sec, assurez-vous qu'ils sont propres et secs.
 - Si vous utilisez le puits en mode « à eau » et sans l'auto-remplissage, assurez-vous que le robinet de vidange est fermé (si l'unité en est équipée) et remplissez le puits manuellement avec de l'eau chaude du robinet jusqu'à ce que le puits soit rempli avec 32 mm (1-1/4") d'eau maximum.
 - Si l'unité est équipée de l'option d'auto-remplissage, assurez-vous que le robinet de vidange est fermé.

2. Placez un récipient vide dans le puits ou couvrir le puits avec un couvercle. Cette étape est recommandée pour accélérer le préchauffage et d'atteindre la température de fonctionnement.
3. Placez l'interrupteur I/O (marche/arrêt) sur I (marche). Le témoin lumineux de l'interrupteur s'allume lorsque l'unité est en marche.

- Si l'unité est équipée de l'option d'auto-remplissage, l'interrupteur I/O (marche/arrêt) de gauche lancera le système d'auto-remplissage lorsqu'il sera placé sur I (marche). Les puits se rempliront d'eau jusqu'à ce que l'eau atteigne le capteur de niveau d'eau dans le puits le plus à gauche. Au cours du fonctionnement, le système d'auto-remplissage maintiendra automatiquement le niveau de l'eau grâce au capteur de niveau d'eau.

NOTA: Pour les unités 4, 5 et 6 équipées de la fonction d'auto-remplissage, tournez d'abord la commande de gauche, puis la commande de droite.

4. Tournez les boutons de contrôle de la température jusqu'à la température désirée.

AVERTISSEMENT

Hatco Corporation n'est pas responsable de la température réelle à laquelle les aliments sont servis. Il est de la responsabilité de l'utilisateur de s'assurer que la nourriture est conservée et servie à une température sans danger.

5. Laissez le puits chauffant préchauffer pendant environ 30 minutes.

ATTENTION

DANGER DE BRÛLURE : Certaines surfaces extérieures de l'appareil deviennent chaudes. Toucher ces zones de l'appareil avec précaution.

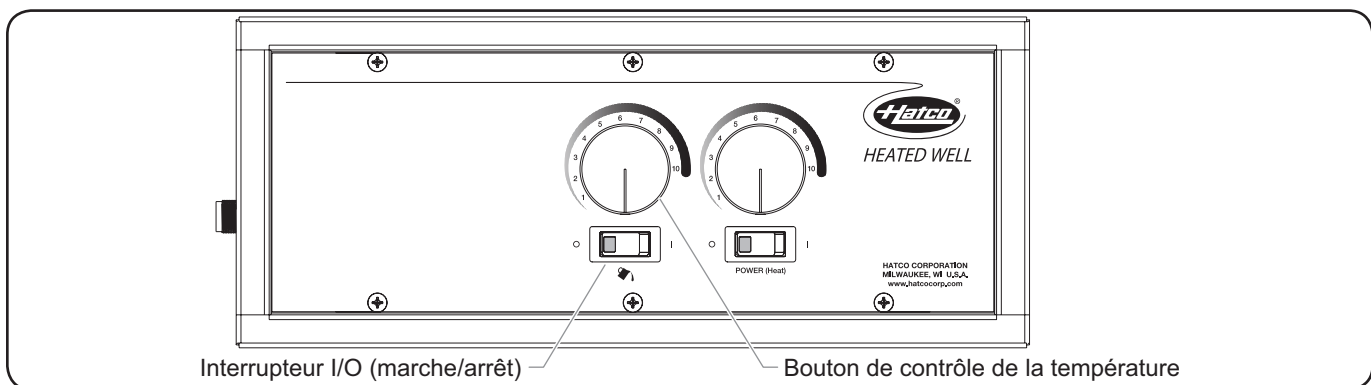
Chauffage des aliments

Placez les bacs alimentaires contenant les aliments préchauffés dans les puits chauffants correspondant.

- Utilisez toujours un bac alimentaire. Ne placez pas les aliments directement dans la partie chauffante.
- Remuez fréquemment les aliments plus consistants afin de répartir la chaleur de manière uniforme.
- Gardez le couvercle sur les bacs afin de conserver la qualité et la température des aliments.

Arrêt

1. Placez l'interrupteur I/O (marche/arrêt) sur O (arrêt). Le témoin lumineux de l'interrupteur s'éteindra ; si votre unité est équipée de l'auto-remplissage, ce dernier sera désactivé.



Boîtier de commande HWBI-2DA (unité avec orifice de vidange et fonction d'auto-remplissage)

Généralités

Les puits chauffants intégrés modulaires d'Hatco sont conçus pour une durabilité et des performances maximales avec un minimum d'entretien.

AVERTISSEMENT

DANGER DE DÉCHARGE ÉLECTRIQUE :

- Placez l'interrupteur sur Arrêt, débranchez le cordon d'alimentation/arrêtez le courant au disjoncteur et laissez l'unité refroidir avant d'effectuer la moindre opération de maintenance ou de nettoyage.
- NE PAS immerger l'appareil ni le saturer d'eau. L'appareil n'est pas étanche à l'eau. Ne pas le faire fonctionner s'il a été immergé ou saturé d'eau.
- Ne pas nettoyer l'appareil lorsqu'il est sous tension.
- L'appareil n'est pas résistant aux projections. N'utilisez pas de pulvérisation de jets nettoyants pour nettoyer l'appareil.

DANGER D'INCENDIE: Ne pas utiliser des solutions nettoyantes inflammables pour nettoyer cet appareil.

Cet appareil ne contient aucune pièce réparable par l'utilisateur. Si cet appareil doit être réparé, contacter un réparateur Hatco agréé ou le Service après-vente Hatco au +1 800-558-0607 ou +1 414-671-6350.

AVIS

N'utilisez pas de paille de fer pour le nettoyage. La paille de fer raye les finitions.

Utiliser seulement des nettoyants non abrasifs et des chiffons doux. Les chiffons et nettoyant abrasifs pourraient érafler la finition de l'unité, entachant son apparence et la rendant susceptible à l'accumulation de saleté.

Ne pas utiliser de produits chimiques puissants tels que de l'eau de Javel (ou des nettoyants contenant de l'eau de Javel), des nettoyants pour four pour nettoyer cet appareil.

Nettoyage quotidien

Pour préserver les finitions des puits, suivez quotidiennement les procédures de nettoyage suivantes.

1. Placez l'interrupteur I/O (marche/arrêt) sur **O** (arrêt) et laissez l'unité refroidir.
2. Retirez et lavez tous les bacs et tous les adaptateurs.
3. Ouvrez le robinet de vidange (si présent) ou évacuez manuellement l'eau des puits si vous utilisez le fonctionnement à eau.
4. Essuyez l'intégralité de l'unité à l'aide d'un chiffon ou d'une éponge propre et d'un détergent doux.
5. Servez-vous d'une éponge à récurer en plastique pour retirer toute particule solide de nourriture ou dépôt de minéraux.
6. Rincez abondamment le(s) puits avec de l'eau chaude et retirez tout résidu de détergent.
7. Essuyez l'intégralité de l'unité en utilisant un chiffon doux et sec.

Retrait des dépôts de chaux et de minéraux

Suivez la procédure suivante dès que vous détectez des dépôts de chaux ou de minéraux sur les parois des puits chauffants.

1. Placez l'interrupteur I/O (marche/arrêt) sur **O** (arrêt) et laissez l'unité refroidir.
2. Retirez et lavez tous les bacs et tous les adaptateurs.
3. Ouvrez le robinet de vidange (si présent) ou évacuez manuellement l'eau des puits si vous utilisez le fonctionnement à eau.
4. Fermez le(s) robinet(s) de vidange.
5. Remplissez le réservoir d'eau avec un mélange de 75 % d'eau et de 25 % de vinaigre blanc. N'utilisez pas de vinaigre parfumé.
6. Placez l'interrupteur I/O (marche/arrêt) sur **I** (marche) et faites chauffer l'eau à une température supérieure ou égale à 88°C (190°F).
7. Placez l'interrupteur I/O (marche/arrêt) sur **O** (arrêt) et couvrez le puits.
8. Laissez la solution agir pendant au moins une heure, voire toute une nuit pour les accumulations importantes.
9. Vidangez ou évacuez le mélange nettoyant des puits.
10. Frottez le puits avec une éponge à récurer en plastique.
11. Rincez abondamment le puits avec de l'eau chaude.
12. Essuyez l'intégralité de l'unité en utilisant un chiffon doux et sec.

NOTA: Une accumulation importante de calcaire peut nécessiter des traitements supplémentaires.

⚠️ AVERTISSEMENT

La réparation de cet appareil doit être confiée exclusivement à du personnel qualifié. Les réparations par des personnes non qualifiées peuvent provoquer des décharges électriques et des brûlures.

⚠️ AVERTISSEMENT

DANGER DE DÉCHARGE ÉLECTRIQUE: Mettez hors tension au niveau de l'interrupteur à fusible/disjoncteur et laissez l'appareil refroidir avant d'effectuer toute opération de maintenance, tout réglage ou tout nettoyage.

Symptômes	Causes Probables	Action Correctrice
Le puits n'est pas suffisamment chaud.	Thermostat réglé trop bas.	Montez le thermostat.
	Les éléments chauffants ne fonctionnent pas.	Contactez votre agent de maintenance agréé ou Hatco pour toute demande d'assistance.
	Le thermostat ne fonctionne pas correctement.	
	La puissance fournie est incorrecte.	Vérifiez qu'une puissance appropriée est fournie à l'unité. Une puissance trop faible cause un chauffage inapproprié.
Le puits est trop chaud.	Thermostat réglé trop haut.	Baissez le thermostat.
	Le thermostat ne fonctionne pas correctement.	Contactez votre agent de maintenance agréé ou Hatco pour toute demande d'assistance.
	La puissance fournie est incorrecte.	Vérifiez qu'une puissance appropriée est fournie à l'unité. Une puissance trop forte entraînera à une surchauffe et peut endommager l'unité.
Pas de chaleur.	Alimentation coupée.	Placez l'interrupteur I/O (marche/arrêt) sur I (marche)
	Le coupe-circuit a disjoncté.	Réinitialisez le disjoncteur. Si le coupe-circuit continue de disjoncter, contactez un agent de service agréé ou Hatco pour obtenir une assistance.
	Le thermostat ne fonctionne pas correctement.	Contactez votre agent de maintenance agréé ou Hatco pour toute demande d'assistance.
	Les éléments chauffants ne fonctionnent pas.	
	L'interrupteur I/O (marche/arrêt) ne fonctionne pas.	
Le système d'auto-remplissage ne fonctionne pas.	Le capteur de niveau d'eau est sale ou ne « capte » pas correctement.	Suivez la procédure « Nettoyage » de la section Maintenance et consultez particulièrement le point concernant le capteur du niveau d'eau.
	L'eau n'arrive pas jusqu'au robinet de remplissage.	Vérifiez que l'arrivée d'eau est installée correctement.
	Le robinet de remplissage de l'eau ne fonctionne pas correctement.	Contactez votre agent de maintenance agréé ou Hatco pour toute demande d'assistance.
	Le puits de gauche n'est pas allumé.	Allumez-le.
Les aliments ne sont pas conservés à une température suffisante.	Le puits fonctionne en mode « à sec ».	Laissez l'unité refroidir et remplissez-la avec la quantité d'eau appropriée pour un fonctionnement en mode « à eau ». Un fonctionnement avec de l'eau favorise une chaleur constante pour la conservation des aliments.
Les boutons de contrôle de la température chauffent le mauvais puits.	Le boîtier de commande n'est pas installé correctement.	Installez le boîtier de commande sur la partie avant de l'unité. Contactez votre agent de maintenance agréé ou Hatco pour toute demande d'assistance.

Vous avez des questions en ce qui concerne les pannes?

Si le problème persiste, veuillez contacter l'agence d'entretien agréée Hatco la plus proche ou Hatco pour obtenir une assistance. Pour trouver l'agence d'entretien la plus proche, rendez-vous sur le site Internet de Hatco (www.hatcocorp.com) et sélectionnez le menu déroulant *Support (Assistance)*, puis cliquez sur « Find A Service Agent » (trouver un agent d'entretien); ou contactez l'équipe d'entretien et de pièces détachées de Hatco :

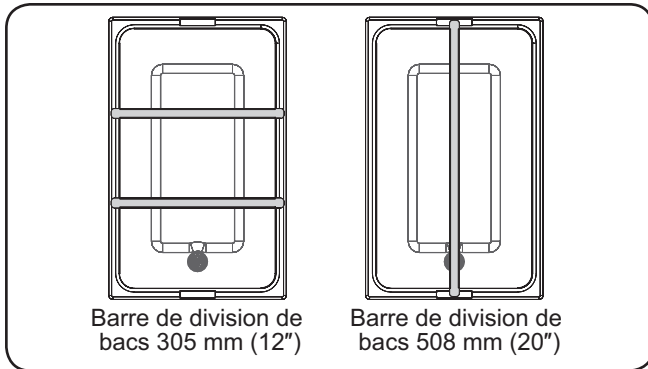
Numéro de téléphone: 800-558-0607 or 414-671-6350

Courriel: support@hatcocorp.com

Barres de division de bacs

Les barres de division de bacs suivantes sont disponibles pour diviser un puits chauffant en sections et s'adaptent sur des bacs de tailles différentes.

- HWB12BAR** Barre de division de bacs 305 mm (12")
- HWB20BAR** Barre de division de bacs 508 mm (20")
(pas offerts pour les modèles HWBI43)

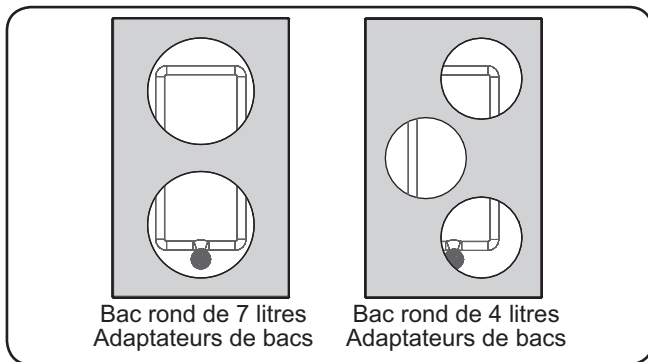


Barres de division de bacs

Adaptateurs de bacs

Des adaptateurs sont disponibles pour permettre à des puits chauffants rectangulaires de contenir des bacs ronds.

- HWB-2-7Q**..... Adaptateur pour que les séries de puits chauffants HWBI puissent accueillir deux bacs ronds de 7 litres.
- HWB-2-11Q**..... Adaptateur pour que les séries de puits chauffants HWBI43 puissent accueillir deux bacs ronds de 10 litres (11 quarts).
- HWB-3-4Q**..... Adaptateur pour que les séries de puits chauffants HWBI puissent accueillir trois bacs ronds de 4 litres.

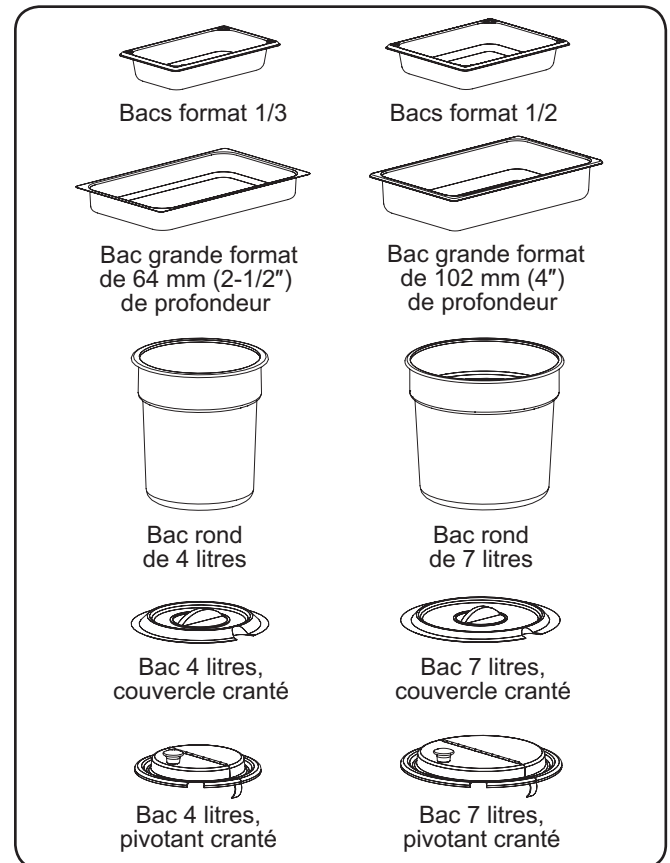


Adaptateurs de bacs

Bacs alimentaires

Des bacs en acier inoxydable sont disponibles en différentes tailles.

- ST PAN 1/3** ... Bac en acier inoxydable format 1/3 — 324L x 175P x 64H mm (12-3/4 x 6-7/8 x 2-1/2")
- ST PAN 1/2** ... Bac en acier inoxydable format 1/2 — 324L x 264P x 64H mm (12-3/4 x 10-3/8 x 2-1/2")
- ST PAN 2** Bac en acier inoxydable grande format de 64 mm (2-1/2") de profondeur — 324L x 527P x 64H mm (12-3/4 x 20-3/4 x 2-1/2")
- ST PAN 4** Bac en acier inoxydable grande format de 102 mm (4") de profondeur — 324L x 527P x 102H mm (12-3/4 x 20-3/4 x 4")
- 4QT-PAN** Bac rond de 4 litres — 171 dia. x 203H mm (6-3/4 x 8")
- 7QT-PAN** Bac rond de 7 litres — 221 dia. x 203 H mm (8-11/16 x 8")
- 11QT-PAN** Bac rond de 10 litres — 311 dia. x 203H mm (12-1/4" x 8")
- 4QT-LID-1** Bac rond de 4 litres, couvercle cranté
- 7QT-LID-1** Bac rond de 7 litres, couvercle cranté
- 11QT-LID-1** ... Bac rond de 10 litres, couvercle cranté
- 4QT-LID**..... Bac rond de 4 litres, couvercle pivotant et cranté
- 7QT-LID**..... Bac rond de 7 litres, couvercle pivotant et cranté
- 11QT-LID**..... Bac rond de 10 litres, couvercle pivotant et cranté



Bacs en acier inoxydable

Divers

BALLVALVE3/4..... Robinet à tournant sphérique 19 mm (3/4") pour l'installation d'un tuyau de vidange externe pour les unités avec un système de vidange.

BALLVALVE1INCH.. Robinet à tournant sphérique de 2,54 cm (1") pour installation sur le tuyau de vidange externe des unités avec ensemble d'orifice de vidange.

GATEVALVE3/4IN..... Robinet vanne 19 mm (3/4") pour l'installation d'un tuyau de vidange externe pour les unités avec un système de vidange.

GATEVALVE1INCH.. Robinet vanne de 2,54 cm (1") pour installation sur le tuyau de vidange externe des unités avec ensemble de d'orifice de vidange.

Support d'adaptation

HWB-MNT-REC Support d'adaptation (8) pour l'installation de puits chauffants avec dans une table de travail non inflammable dont l'épaisseur va de 5 à 51 mm (3/16-2").

Grilles

Des grilles en acier inoxydable ou nickelées sont disponibles en différentes tailles.

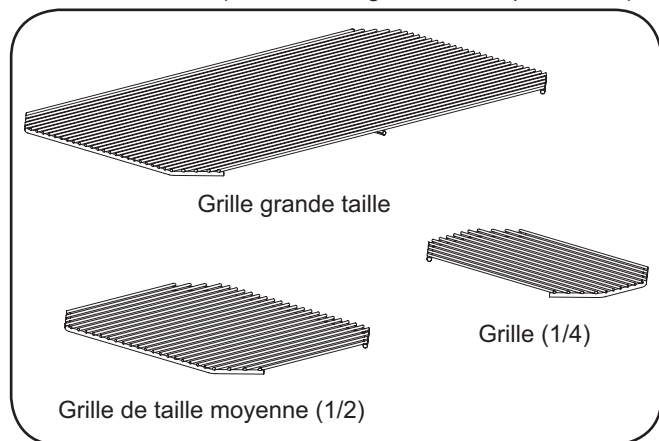
TRIVET (1/4)SS.....Grille en acier inoxydable petite taille (1/4) : 216 x 114 mm (8-1/2" de largeur x 4-1/2" de profondeur)

TRIVET (1/2)SS.....Grille en acier inoxydable taille moyenne (1/2) : 259 x 194 mm (10-3/16" de largeur x 7-5/8" de profondeur)

TRIVET SS.....Grille en acier inoxydable grande taille : 257 x 457 mm (10-1/8" de largeur x 18" de profondeur)

TRIVET (1/2)Grille nickelée de taille moyenne (1/2) : 259 x 194 mm (10-3/16" de largeur x 7-5/8" de profondeur)

TRIVET.....Grille nickelée grande taille: 257 x 457 mm (10-1/8" de largeur x 18" de profondeur)



Grilles

Conversion d'une unité en système triphasé

Les unités HWBI-2, -3, -4, -5 et -6 sans câble supplémentaire peuvent être converties en système électrique triphasé. Suivez la procédure suivante pour convertir une unité monophasée en une unité triphasée.

⚠ AVERTISSEMENT

DANGER DE DÉCHARGE ÉLECTRIQUE :

- **Placez l'interrupteur sur Arrêt, débranchez le cordon d'alimentation/arrêtez le courant au disjoncteur et laissez l'unité refroidir avant d'effectuer la moindre opération de maintenance ou de nettoyage.**

- **Cette unité doit être entretenue uniquement par des personnes qualifiées. Un entretien réalisé par des personnes non-qualifiées peut entraîner des décharges électriques ou provoquer des brûlures.**

1. Assurez-vous que l'interrupteur Marche/Arrêt est en position OFF et que le câble d'alimentation principal est débranché.

2. Retirez le couvercle à découper du boîtier de commande.

- Pour les unités HWBI-4, HWBI-5 et HWBI-6 avec deux boîtiers de commande, retirez simplement le couvercle du boîtier à droite (lorsque vous êtes face à la partie commande de l'unité) pour effectuer la conversion en système triphasé.

3. Recherchez le bornier du boîtier de commande et changez les fils concernés pour passer à une unité triphasée. Consultez le schéma de câblage (fourni avec l'unité) ci-dessous pour les changements à effectuer.

- **Schéma de câblage 10-01-549** = toutes les unités HWBI-2 et HWBI-3 ainsi que les unités HWBI-4, HWBI-5 et HWBI-6 avec deux boîtiers de commande.

- **Schéma de câblage 10-01-565** = toutes les unités HWBI-4, HWBI-5 et HWBI-6 avec un seul boîtier de commande.

NOTA: Pour obtenir le schéma de câblage, contactez votre agent de maintenance agréé ou l'assistance Hatco (consultez la dernière page de ce manuel).

4. Une fois la conversion en système triphasé effectuée, placez l'étiquette « Converti en système triphasé » à l'intérieur du boîtier de commande, près du bornier. Cette étiquette est incluse dans la brochure d'information qui accompagne ce manuel.

5. Remplacez la protection sur le boîtier de commande.

6. Reconnectez le câble d'alimentation et testez le bon fonctionnement de l'unité.

Raccord extérieur avec robinet de vidange

Un raccord avec robinet de vidange extérieur est un accessoire destiné aux unités dotées de deux à six bacs. Suivez la procédure suivante pour monter les raccords.

NOTA: Un raccord extérieur avec robinet de vidange ne peut pas être installé sur des modèles sans orifice de vidange ou avec raccord intégré.

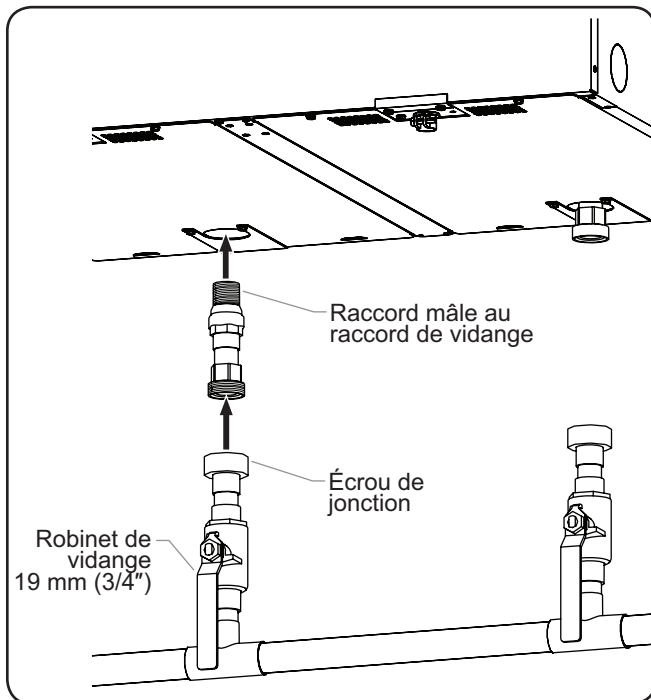
⚠ AVERTISSEMENT

L'élément doit être installé par des installateurs formés et qualifiés. L'installation doit être conforme à toutes les normes locales en matière d'électricité et de plomberie. Vérifiez les procédures et les normes à suivre auprès de vos inspecteurs locaux en matière de plomberie et d'électricité.

AVIS

Les joints d'étanchéité doivent pouvoir supporter une température de 260°C (500°F) minimum. Les conduites d'arrivée d'eau doivent être conformes aux normes FDA relatives à l'eau potable.

1. Retirez les écrous de jonction.
2. Fixez les raccords mâles aux raccords de vidange sous chaque orifice de vidange. Utilisez du ruban de téflon sur les connexions filetées.
3. Vissez l'écrou de jonction aux raccords de vidange pour fixer solidement le robinet de vidange à l'unité. Utilisez du ruban de téflon sur les connexions filetées. Recherchez d'éventuelles fuites.
4. Connectez le robinet de vidange au tuyau de vidange (non fourni) disponible sur place.



Connexion du raccord extérieur aux robinets de vidange

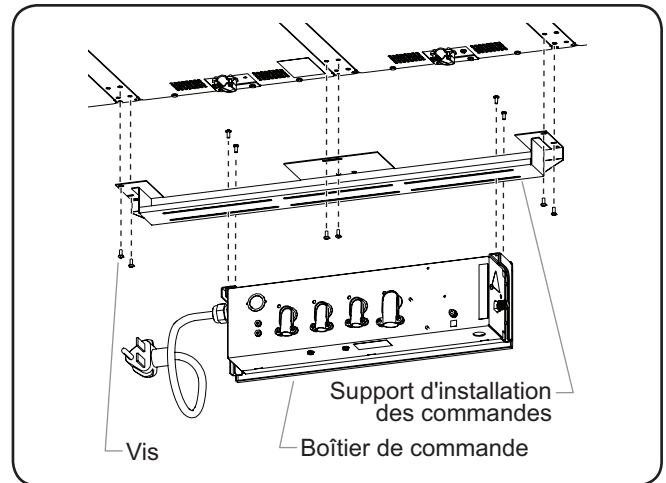
Cadre grande dimension

Un cadre de grande dimension est disponible, en option, pour toutes les unités de la série HWDI. Les modèles disposant d'un cadre grande dimension comportent les mêmes dimensions qu'un puits froid.

Câble d'alimentation et prise

Un câble d'alimentation et une prise sont fournis de série pour les modèles avec configuration électrique monophasée et sans conduit de commande étendu. Suivez la procédure suivante pour installer la commande.

1. Fixez le boîtier de commande à l'endroit souhaité sur le support d'installation des commandes à l'aide des vis fournies.
 - La profondeur de découpe nécessaire à tous les boîtiers de commande est de 127 mm (5").
 - La profondeur de découpe nécessaire à ce boîtier de commande est de 121 mm (4-3/4").
 - Consultez la procédure « Installation d'un boîtier de commande à distance » de la section INSTALLATION si vous installez un boîtier de commande pour utilisation à distance.
2. Branchez l'unité à une prise correctement reliée à la terre et possédant le voltage, la dimension et la configuration adéquats. Consultez la section CARACTÉRISTIQUES TECHNIQUES pour plus de détails.



Installation du boîtier de commande avec câble et prise

Auto-remplissage latéral

L'option d'auto-remplissage latéral relie l'arrivée d'eau disponible sur les lieux à un raccord d'auto-remplissage situé sur une des parois du puits via le panneau de commande. Suivez la procédure suivante pour installer une unité équipée de l'option d'auto-remplissage latéral.

NOTA: Le kit de plomberie vendu avec cette unité comprend les éléments suivants : coude mâle et femelle, valve anti-retour, tuyau de remplissage et colliers de serrage. Pour une image détaillée du kit de plomberie, veuillez vous référer à la rubrique « Option d'autoremplissage monté sur orifice de vidange » dans cette section.



Les unités avec auto-remplissage doivent être installées avec une protection anti-reflux adaptée et doivent être conformes aux lois nationales en vigueur.

AVIS

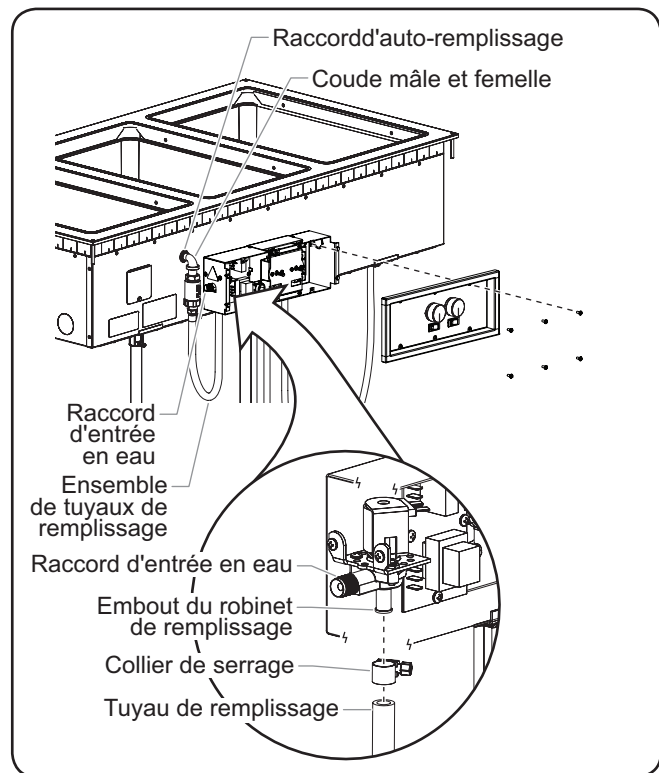
Les appareils dotés du système d'autoremplissage approvisionnés en eau par un système d'osmose inverse (ou d'un système de filtration d'eau similaire) doivent être installés avec un système de reminéralisation pour garantir un bon fonctionnement. Si vous ne respectez pas ces consignes, l'appareil pourrait trop se remplir. Les dommages causés par le surremplissage ne sont pas couverts par la garantie.

Les joints d'étanchéité doivent pouvoir supporter une température de 260°C (500°F) minimum. Les conduites d'arrivée d'eau doivent être conformes aux normes FDA relatives à l'eau potable.

1. Connectez le coude mâle et femelle à l'emplacement de l'auto-remplissage situé à l'extérieur du puits. Remplacez le tuyau de remplissage sur le raccord.

NOTA: Il est possible de vous deviez retirer le tuyau de remplissage de l'ensemble de remplissage pour plus de confort.

2. Branchez l'autre extrémité du tuyau de remplissage à l'embout du robinet de remplissage dans le boîtier de commande et fixez-le à l'aide d'un collier de serrage. (Démontez le couvercle à découper du boîtier de commande pour accéder à l'embout).
3. Connectez le tuyau d'alimentation en eau disponible sur les lieux au raccord d'entrée d'eau NPT de 0,64 cm (1/4") du boîtier de commande.
4. Mettez l'alimentation en eau en route et recherchez les fuites éventuelles.



Installation de l'unité d'auto-remplissage

NOTA: Consultez le paragraphe « Caractéristiques de l'approvisionnement en eau » dans la section CARACTÉRISTIQUES de ce manuel pour connaître les exigences en matière d'approvisionnement en eau.

Auto-remplissage monté sur orifice de vidange

L'option d'auto-remplissage monté sur orifice de vidange relie l'arrivée d'eau disponible sur les lieux à l'orifice de vidange situé sur une des parois ou sur la partie inférieure d'une unité avec un système de collecteur d'évacuation via le panneau de commande. Suivez la procédure suivante pour installer une unité équipée de l'option d'auto-remplissage monté sur orifice de vidange.

NOTA: Le kit de plomberie inclus avec cette unité comprend les éléments suivants : coude mâle et femelle, valve anti-retour, tuyau de remplissage et colliers de serrage.

AVIS

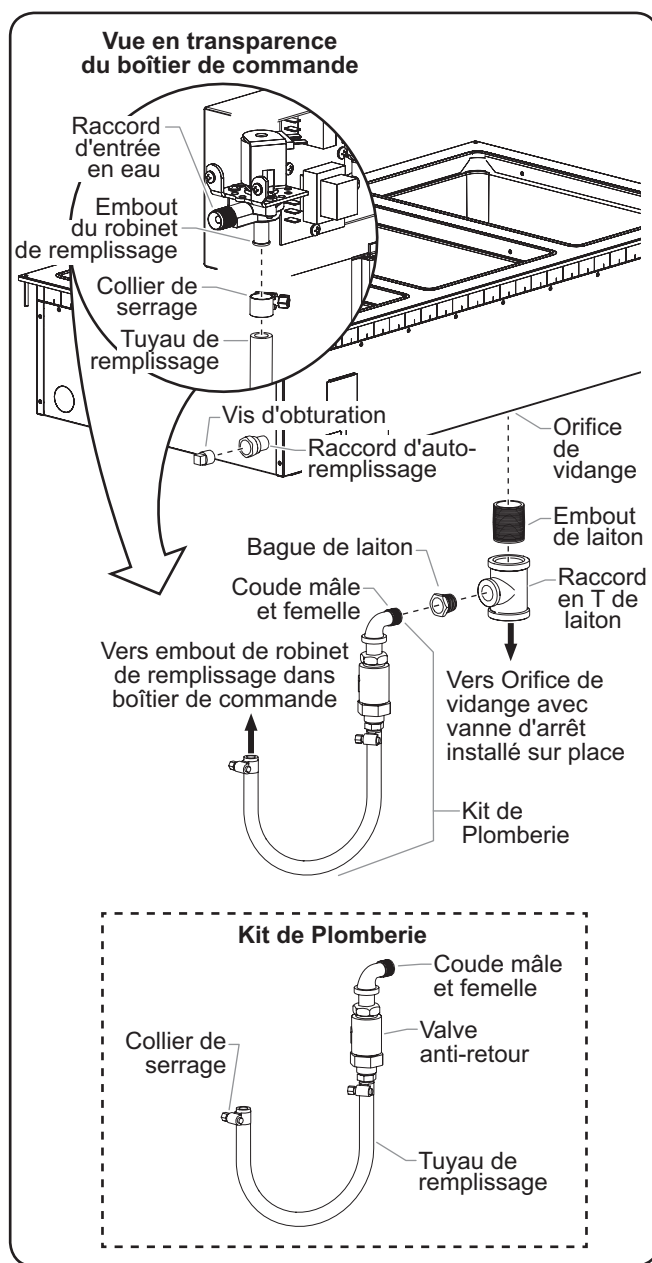
Les appareils dotés du système d'autoremplissage approvisionnés en eau par un système d'osmose inverse (ou d'un système de filtration d'eau similaire) doivent être installés avec un système de reminéralisation pour garantir un bon fonctionnement. Si vous ne respectez pas ces consignes, l'appareil pourrait trop se remplir. Les dommages causés par le surremplissage ne sont pas couverts par la garantie.

Les joints d'étanchéité doivent pouvoir supporter une température de 260°C (500°F) minimum. Les conduites d'arrivée d'eau doivent être conformes aux normes FDA relatives à l'eau potable.

1. Fixez solidement la vis d'obturation au raccord d'auto-remplissage à l'extérieur du puits.
2. Installez l'embout de laiton dans le raccord de vidange sur la partie inférieure ou latérale du puits.
3. Vissez le raccord en T de laiton sur l'embout de laiton.
4. Vissez la bague de laiton à l'intérieur du raccord en T de laiton.
5. Connectez le coude de tuyau de remplissage à la bague de laiton.

NOTA: Il est possible de vous deviez retirer le tuyau de remplissage du kit de plomberie pour faciliter l'installation.

6. Connectez le tuyau de remplissage à l'embout du robinet de remplissage dans le boîtier de commande et fixez-le à l'aide d'un collier de serrage. (Démontez le couvercle à découper du boîtier de commande pour accéder à l'embout).
7. Connectez le tuyau de vidange disponible sur les lieux avec la vanne d'arrêt à l'extrémité ouverte du raccord en T de laiton.
8. Connectez l'arrivée d'eau disponible sur les lieux au raccord d'entrée d'eau NPT de 0,64 cm (1/4") du boîtier de commande.
9. Fermez la vanne d'arrêt installée sur les lieux, actionnez l'arrivée d'eau et recherchez les éventuelles fuites.

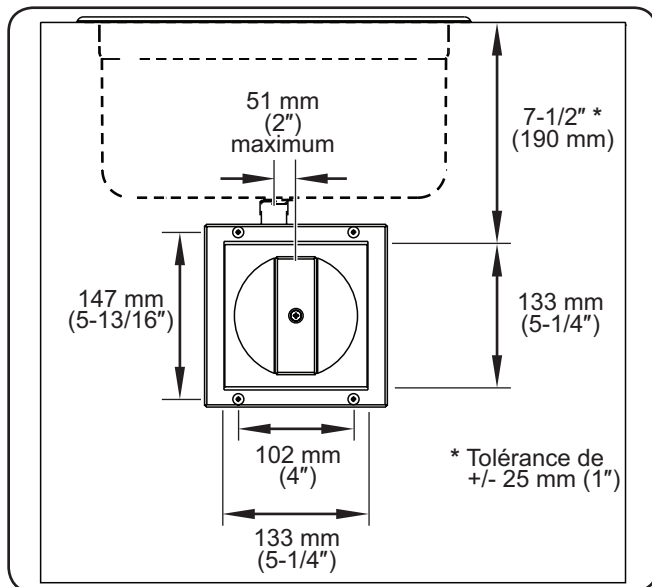


Installation d'une unité avec auto-remplissage monté sur orifice de vidange

Poignée de vidange à distance

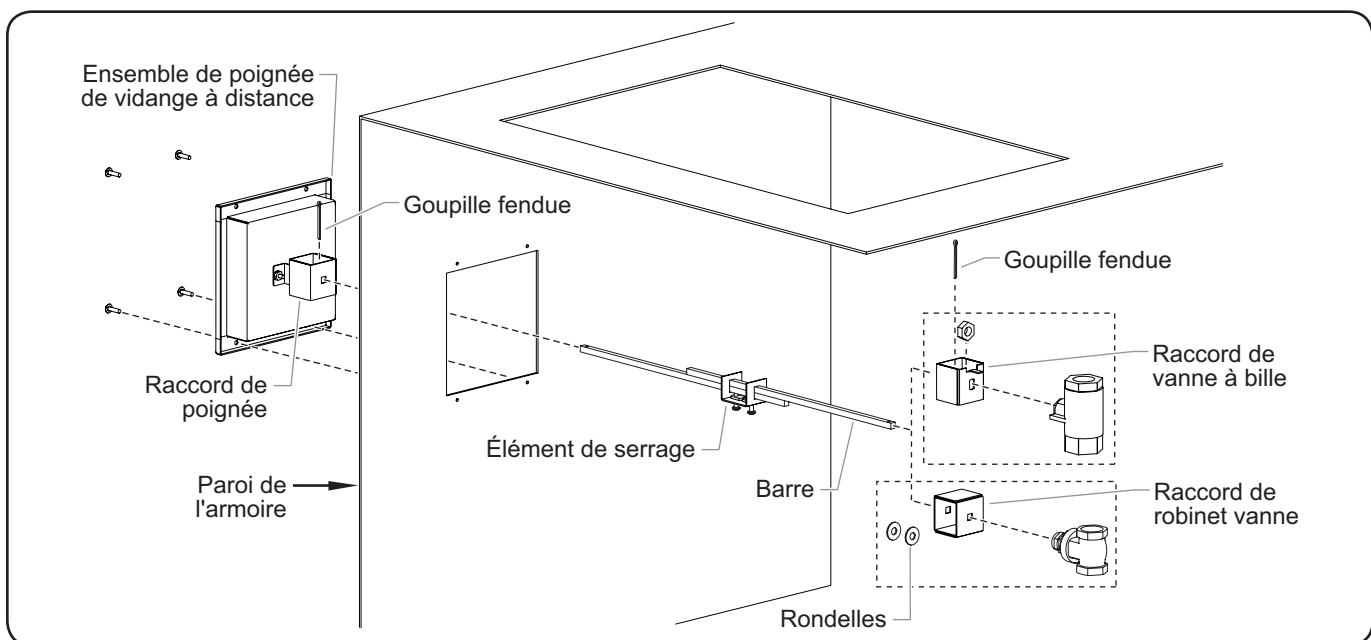
La poignée de vidange à distance est une option permettant une vidange manuelle facile. Suivez la procédure suivante pour installer poignée de vidange montée sur armoire.

1. Installez la poignée de vidange sur l'armoire.
 - Consultez l'illustration « Dimension de découpe pour ensemble de poignée de vidange à distance » ci-dessous pour connaître les dimensions de découpe adaptées.
 - La poignée de vidange doit être située à 51 mm (2") maximum du tuyau de vidange.
 - La distance entre l'avant de l'armoire et le centre de l'orifice de vidange doit être inférieur à 660 mm (26").
 - Utilisez les quatre vis pour fixer solidement la poignée de vidange à l'armoire.



Dimension de découpe pour ensemble de poignée de vidange à distance

2. Retirez la poignée/le bouton du robinet en desserrant l'écrou.
 - Unités avec vanne à bille : Conservez l'écrou pour pouvoir le réutiliser plus tard. La poignée n'est plus nécessaire.
 - Unités avec robinet vanne : Conservez l'écrou pour pouvoir le réutiliser plus tard. Le bouton n'est plus nécessaire.
3. A l'aide de l'écrou conservé à l'étape précédente, installez le raccord de robinet à la place de la poignée du robinet que vous avez retirée.
4. Faites glisser la barre carrée à travers le raccord de poignée (avec la goupille fendue en face).
5. Insérez la goupille fendue dans la barre à l'intérieur du raccord de poignée.
6. Faites glisser l'élément de serrage dans les barres.
7. Faites glisser la barre supérieure dans le raccord de robinet.
 - Unités avec robinet vanne : utilisez deux rondelles à l'intérieur du raccord.
8. Insérez la goupille fendue dans la barre.
9. Placez l'élément de serrage au centre des barres qui se chevauchent, en laissant un espace de 3 mm (1/8") pour permettre un mouvement de va et vient. Serrez les deux vis.
 - Les barres peuvent être installées à une distance maximum de 660 mm (26") depuis l'avant de l'armoire vers le centre de l'orifice de vidange.
10. Écartez les deux extrémités des goupilles fendues pour fixer solidement les barres à l'intérieur du raccord.



Installation d'une poignée de vidange à distance (vue en transparence de l'armoire)

1. GARANTIE DU PRODUIT

Hatco garantit que les produits qu'il fabrique (les « Produits ») sont exempts de défauts de matériel et de fabrication, dans des conditions normales d'utilisation et de maintenance, pour une période d'un (1) an à partir de la date d'achat à condition que l'appareil soit installé et entretenu conformément aux instructions écrites de Hatco ou 18 mois après la date de l'expédition par Hatco. L'acheteur doit prouver la date d'achat du Produit par l'enregistrement de ce dernier auprès de Hatco ou par d'autres moyens satisfaisants pour Hatco, à sa seule discrétion.

Hatco garantit que les composants du Produit suivants sont exempts de défauts de matériel et de fabrication à partir de la date d'achat (sous réserve des conditions précédentes) pour la ou les périodes de temps et en fonction des conditions listées ci-dessous :

- a) **Garantie d'un (1) an pour les pièces et la main-d'œuvre PLUS un (1) an supplémentaire pour les pièces uniquement :**
 Éléments du grille-pain à convoyeur (enveloppe métallique)
 Éléments des tiroirs chauffants (enveloppe métallique)
 Tiroirs, roues et glissières des tiroirs chauffants
 Éléments des rampes chauffantes (enveloppe métallique)
 Éléments des vitrines chauffantes
 (enveloppe métallique, air chauffant)
 Éléments des armoires de stockage
 (enveloppe métallique, air chauffant)
 Éléments des compartiments chauffants —
 série HW et HWB (enveloppe métallique)
- b) **Garantie de deux (2) ans pour les pièces et la main-d'œuvre :**
 Gammes à induction
 Réchauds à induction
- c) **Garantie d'un (1) an pour les pièces et la main-d'œuvre PLUS quatre (4) ans pour les pièces uniquement :**
 Cuves 3CS et FR
- d) **Garantie d'un (1) an pour les pièces et la main-d'œuvre PLUS neuf (9) ans pour les pièces uniquement :**
 Cuves des appareils de chauffage d'appoint électriques
 Cuves des appareils de chauffage d'appoint à gaz
- e) **Garantie de quatre-vingt-dix (90) jours pour les pièces uniquement :**
 Pièces de rechange

LES GARANTIES PRÉCÉDENTES SONT EXCLUSIVES ET REMPLACENT TOUTES AUTRES GARANTIES, EXPRESSES OU IMPLICITES, COMPRENANT, MAIS NE SE LIMITANT PAS, À TOUTES GARANTIES IMPLICITES DE QUALITÉ MARCHANDE OU DE FINALITÉ PARTICULIÈRE OU TOUTS BREVETS OU TOUTES AUTRES ATTEINTES AUX DROITS DE LA PROPRIÉTÉ INTELLECTUELLE. Sans restreindre la portée générale des énoncés précédents, CES GARANTIES NE COUVRENT PAS LES ÉLÉMENTS SUIVANTS : ampoules d'éclairage à incandescence enduites, lumières fluorescentes, ampoules de lampes chauffantes, ampoules d'éclairage à halogène enduites, ampoules de lampes chauffantes au xénon, tubes d'éclairage DEL, composants en verre et fusibles ; défaut de produit dans la cuve d'un appareil de chauffage d'appoint, dans un échangeur de chaleur à tubes à ailettes ou tout autre équipement de chauffage d'eau causé par la calcification, l'accumulation de sédiments, la réaction d'un produit chimique ou le gel ; ou une mauvaise utilisation, une manipulation ou une mauvaise application, une installation inappropriée du Produit ou l'utilisation d'une tension inappropriée.

2. LIMITES DES RECOURS ET DES DOMMAGES

La responsabilité de Hatco et la seule voie de recours de l'Acheteur prévues par les présentes seront limitées exclusivement, au gré de Hatco, à la réparation ou au remplacement à l'aide de pièces ou de Produits nouveaux ou remis à neuf par Hatco ou un centre de réparation agréé par Hatco (sauf si l'Acheteur se situe hors des États-Unis, du Canada, du Royaume-Uni ou de l'Australie, auquel cas la responsabilité de Hatco et la seule voie de recours de l'Acheteur seront limitées exclusivement au remplacement des pièces concernées par la garantie) à l'égard de toute revendication effectuée dans les délais de garantie applicables mentionnés ci-dessus. Hatco se réserve le droit d'accepter ou de rejeter toute réclamation en partie ou dans son intégralité. Dans le cadre de cette Garantie limitée, « remis à neuf » signifie une pièce ou un Produit dont les caractéristiques techniques d'origine ont été restaurées par Hatco ou un centre de réparation agréé par Hatco. Hatco n'acceptera aucun retour de Produits sans qu'il n'ait auparavant donné son accord écrit, et tous ces retours approuvés doivent être effectués aux seuls frais de l'Acheteur. HATCO NE SERA PAS TENU RESPONSABLE, DANS AUCUNE CIRCONSTANCE, DES DOMMAGES CONSÉCUTIFS OU INDIRECTS, COMPRENANT, MAIS NE SE LIMITANT PAS, AUX COÛTS DE MAIN-D'ŒUVRE OU PERTES DE PROFITS DUS À UNE UTILISATION OU À UNE IMPOSSIBILITÉ D'UTILISER LES PRODUITS OU DUS AU FAIT QUE LES PRODUITS ONT ÉTÉ INTÉGRÉS DANS OU QU'ILS SONT DEVENUS UN COMPOSANT DE TOUT AUTRE PRODUIT OU BIEN.

AUTHORIZED PARTS DISTRIBUTORS • AUTORISÉS DISTRIBUTEURS DE PIÈCES

ALABAMA

Jones McLeod Appl. Svc.
Birmingham 205-251-0159

ARIZONA

Tech 24
Phoenix 602-234-2443

Byassee Equipment Co.
Phoenix 602-252-0402

CALIFORNIA

Industrial Electric
Commercial Parts & Service, Inc.
Huntington Beach 714-379-7100

Chapman Appl. Service
San Diego 619-298-7106

P & D Appliance
Commercial Parts & Service, Inc.
S. San Francisco 650-635-1900

COLORADO

Hawkins Commercial Appliance
Englewood 303-781-5548

FLORIDA

Whaley Foodservice Repair
Jacksonville 904-725-7800

Whaley Foodservice Repair
Orlando 407-757-0851

B.G.S.I./Heritage
Pompano Beach 954-971-0456

Comm. Appliance Service
Tampa 813-663-0313

GEORGIA

Heritage Service Group
Norcross 866-388-9837

HAWAII

Burney's Comm. Service, Inc.
Honolulu 808-848-1466

Food Equip Parts & Service
Honolulu 808-847-4871

ILLINOIS

Parts Town
Addison 708-865-7278

Eichenauer Elec. Service
Decatur 217-429-4229

Midwest Elec. Appl. Service
Elmhurst 630-279-8000

Cone's Repair Service
Moline 309-797-5323

IOWA

Goodwin Tucker Group
Des Moines 515-262-9308

KENTUCKY

Tech 24
Lexington 859-254-8854

Tech 24
Louisville 502-451-5411

LOUISIANA

Chandlers Parts & Service
Baton Rouge 225-272-6620

MARYLAND

Electric Motor Service
Baltimore 410-467-8080

MASSACHUSETTS

Ace Service Co., Inc.
Needham 781-449-4220

MICHIGAN

Bildons Appliance Service
Detroit 248-478-3320

Commercial Kitchen Service
Bay City 989-893-4561

Midwest Food Equip. Service
Grandville 616-261-2000

MISSOURI

General Parts
Kansas City 816-421-5400

Commercial Kitchen Services
St. Louis 314-890-0700

Kaemmerlen Parts & Service
St. Louis 314-535-2222

NEBRASKA

Anderson Electric
Omaha 402-341-1414

NEVADA

Burney's Commercial
Las Vegas 702-736-0006

Hi. Tech Commercial Service
N. Las Vegas 702-649-4616

NEW JERSEY

Jay Hill Repair
Fairfield 973-575-9145

Service Plus
Flanders 973-691-6300

NEW YORK

Alpro Service Co.
Maspeth 718-386-2515

Duffy's - AIS
Buffalo 716-884-7425

3Wire
Plattsburgh 800-634-5005

Duffy's - AIS
Sauquoit 800-836-1014

J.B. Brady, Inc.
Syracuse 315-422-9271

NORTH CAROLINA

Authorized Appliance
Charlotte 704-377-4501

OHIO

Akron/Canton Comm. Svc. Inc.
Akron 330-753-6634

Tech 24
Cincinnati 513-772-6600

Commercial Parts and Service
Columbus 614-221-0057

Electrical Appl. Repair Service
Brooklyn Heights 216-459-8700

E. A. Wichman Co.
Toledo 419-385-9121

OKLAHOMA

Hagar Rest. Service, Inc.
Oklahoma City 405-235-2184

OREGON

General Parts Group
Portland 503-624-0890

PENNSYLVANIA

Elmer Schultz Services
Philadelphia 215-627-5401

FAST Comm. Appl. Service
Philadelphia 215-288-4800

AIS Commercial Parts and Service
Pittsburgh 412-809-0244

K & D Service Co.
Harrisburg 717-236-9039

Electric Repair Co.
Reading 610-376-5444

RHODE ISLAND

Marshall Electric Co.
Providence 401-331-1163

SOUTH CAROLINA

Whaley Foodservice Repair
Lexington 803-996-9900

TENNESSEE

Camp Electric
Memphis 901-527-7543

TEXAS

Armstrong Repair Service
Houston 713-666-7100

Cooking Equipment Specialist
Mesquite 972-686-6666

Commercial Kitchen Repair Co.
San Antonio 210-735-2811

UTAH

La Monica's Rest. Equip. Service
Murray 801-263-3221

VIRGINIA

Daubers
Norfolk 757-855-4097

Daubers
Springfield 703-866-3600

WASHINGTON

3Wire
Seattle 800-207-3146

WISCONSIN

A.S.C., Inc.
Madison 608-246-3160

A.S.C., Inc.
Milwaukee 414-543-6460

CANADA

ALBERTA

Key Food Equipment Service
Edmonton 780-438-1690

BRITISH COLUMBIA

Key Food Equipment Service
Vancouver 604-433-4484

Key Food Equipment Service
Victoria 250-920-4888

MANITOBA

Air Rite, Inc.
Winnipeg 204-895-2300

NEW BRUNSWICK

EMR Services, Ltd.
Moncton 506-855-4228

ONTARIO

R.G. Henderson Ltd.
Toronto 416-422-5580

Choquette - CKS, Inc.
Ottawa 613-739-8458

QUÉBEC

Choquette - CKS, Inc.
Montreal 514-722-2000

Choquette - CKS, Inc.
Québec City 418-681-3944

UNITED KINGDOM

Marren Group
Northants +44(0)1933 665313

HATCO CORPORATION

P.O. Box 340500

Milwaukee, WI 53234-0500 U.S.A.

800-558-0607 414-671-6350

support@hatcocorp.com

www.hatcocorp.com

Register your unit online!

See IMPORTANT OWNER INFORMATION
section for details.

Enregistrez votre appareil en ligne !

Lisez la section INFORMATIONS IMPORTANTES POUR
LE PROPRIÉTAIRE pour plus d'informations.