

hatcocorp.com

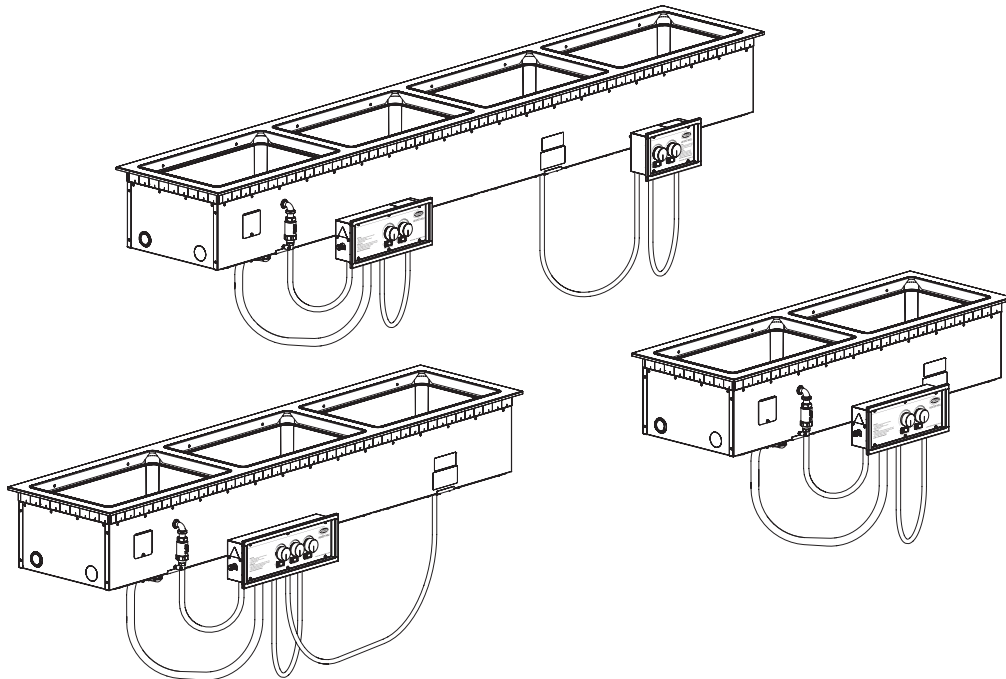
Register Online!
(see page 2)

S'inscrire en ligne!
(voir page 19)



Slim Drop-In Heated Wells Cuves chauffantes allongées Drop-In HWBI-S Series/Série

Installation and Operating Manual Manuel d'installation et d'utilisation



⚠ WARNING

Do not operate this equipment unless you have read and understood the contents of this manual! Failure to follow the instructions contained in this manual may result in serious injury or death. This manual contains important safety information concerning the maintenance, use, and operation of this product. If you're unable to understand the contents of this manual, please bring it to the attention of your supervisor. Keep this manual in a safe location for future reference.

English = p 2

⚠ ADVERTENCIA

No opere este equipo al menos que haya leído y comprendido el contenido de este manual! Cualquier falla en el seguimiento de las instrucciones contenidas en este manual puede resultar en un serio lesión o muerte. Este manual contiene importante información sobre seguridad concerniente al mantenimiento, uso y operación de este producto. Si usted no puede entender el contenido de este manual por favor pregunte a su supervisor. Almacenar este manual en una localización segura para la referencia futura.

⚠ AVERTISSEMENT

Ne pas utiliser cet équipement sans avoir lu et compris le contenu de ce manuel ! Le non-respect des instructions contenues dans ce manuel peut entraîner de graves blessures ou la mort. Ce manuel contient des informations importantes concernant l'entretien, l'utilisation et le fonctionnement de ce produit. Si vous ne comprenez pas le contenu de ce manuel, veuillez le signaler à votre supérieur. Conservez ce manuel dans un endroit sûr pour pouvoir vous y référer plus tard.

Français = p 19

Important Owner Information	2	Operation	12
Introduction	2	General.....	12
Important Safety Information	3	Maintenance	13
Model Designation	4	General.....	13
Model Description	5	Daily Cleaning.....	13
Specifications	6	Removing Lime and Mineral Deposits.....	13
Plug Configuration.....	6	Troubleshooting Guide	14
Electrical Rating Chart.....	6	Options and Accessories	15
Dimensions.....	7	Limited Warranty	18
Water Supply Specifications.....	7	Authorized Parts Distributors	Back Cover
Installation	8		
General.....	8		
Countertop Cutout Dimensions.....	9		
Installing a Remote Control Enclosure.....	10		
Control Enclosure Cutout Dimensions.....	10		
Connecting a Drain Line.....	11		

IMPORTANT OWNER INFORMATION

Record the model number, serial number (specification labels located on the side of the unit and the bottom of the control enclosure), voltage, and purchase date of the unit in the spaces below. Please have this information available when calling Hatco for service assistance.

Model No. _____

Serial No. _____

Voltage _____

Date of Purchase _____

Business Hours: 7:00 AM to 5:00 PM Monday–Friday, Central Time (CT)
(Summer Hours: June to September—
7:00 AM to 5:00 PM Monday–Thursday
7:00 AM to 4:00 PM Friday)

Telephone: 800-558-0607; 414-671-6350

E-mail: support@hatcocorp.com



24 Hour 7 Day Parts and Service Assistance available in the United States and Canada by calling 800-558-0607.

Register your unit!

Completing online warranty registration will prevent delay in obtaining warranty coverage. Access the Hatco website at www.hatcocorp.com, select the *Support* pull-down menu, and click on "Warranty".

Additional information can be found by visiting our web site at www.hatcocorp.com.

INTRODUCTION

Hatco Slim Drop-In Heated Wells are specially designed to hold heated foods at safe serving temperatures while providing easy, reachable access to all items in the well. Designed for dry or wet applications, the wells are available in several pan combinations—each heated with a long-life heating element that is covered by a 2 year part warranty. The metal-sheathed heating element is controlled by a remote thermostat. Heat is distributed evenly throughout the heavy gauge stainless steel construction to ensure hot food. The design allows for easy maintenance and durable performance. Standard units are UL approved and equipped with a remote control enclosure.

Units are equipped with EZ lock mounting hardware for quick and easy installation. Controls include individual lighted power switches and thermostat controls that retain temperature settings. One year parts and on-site labor warranty is standard.

Hatco Slim Drop-In Heated Wells are a product of extensive research and field testing. The materials used were selected for maximum durability, attractive appearance, and optimum performance. Every unit is inspected and tested thoroughly prior to shipment.

This manual provides the installation, safety, and operating instructions for Slim Drop-In Heated Wells. Hatco recommends all installation, operating, and safety instructions appearing in this manual be read prior to installation or operation of the unit.

Safety information that appears in this manual is identified by the following signal word panels:



WARNING indicates a hazardous situation which, if not avoided, could result in death or serious injury.



CAUTION indicates a hazardous situation which, if not avoided, could result in minor or moderate injury.



NOTICE is used to address practices not related to personal injury.



Read the following important safety information before using this equipment to avoid serious injury or death and to avoid damage to equipment or property.

⚠ WARNING

ELECTRIC SHOCK HAZARD:

- Unit must be installed by a qualified electrician. Installation must conform to all local electrical codes. Installation by unqualified personnel will void unit warranty and may lead to electric **shock** or burn, as well as damage to unit and/or its surroundings.
- Turn OFF power switch, unplug power cord/turn off power at circuit breaker, and allow unit to cool before performing any cleaning, adjustments, or maintenance.
- DO NOT submerge or saturate with water. Unit is not waterproof. Do not operate if unit has been submerged or saturated with water.
- Unit is not weatherproof. Locate unit indoors where ambient air temperature is a minimum of 70°F (21°C).
- Remote control enclosure must be mounted on vertical wall and installed in vertical position. Mounting remote control enclosure in horizontal position may result in collection of liquids and lead to electric **shock**.
- Operating voltage of remote control enclosure water valve exceeds 50 V (extra low voltage). Enclosure is marked with the following hazard identification symbol: ⚡
- Do not use unit to melt or hold ice. Doing so may cause condensation, creating an electrical hazard and causing personal injury and/or damage to unit. Damage caused by condensation is not covered by warranty.
- For non auto-fill units, turn off unit when filling with water and avoid splashing.
- Do not clean unit when it is energized or hot.
- This unit is not “jet-proof” construction. Do not use jet-clean spray to clean this unit.
- This unit must be serviced by qualified personnel only. Service by unqualified personnel may lead to electric **shock** or burn.
- Use only Genuine Hatco Replacement Parts when service is required. Failure to use Genuine Hatco Replacement Parts will void all warranties and may subject operators of the equipment to hazardous electrical voltage, resulting in electrical **shock** or burn. Genuine Hatco Replacement Parts are specified to operate safely in the environments in which they are used. Some aftermarket or generic replacement parts do not have the characteristics that will allow them to operate safely in Hatco equipment.

FIRE HAZARD:

- Install unit with a minimum of 3-1/2” (89 mm) of space from bottom of unit to all combustible surfaces to prevent combustion.
- Unit must be installed using ribbon putty gasket between unit and installation surface per installation instructions (refer to Installation section of this manual).
- Do not use flammable cleaning solutions to clean this unit.

⚠ WARNING

This unit must be installed by qualified, trained installers. Installation must conform to all local electrical and plumbing codes. Check with local plumbing and electrical inspectors for proper procedures and codes.

This unit is not intended for use by children or persons with reduced physical, sensory, or mental capabilities. Ensure proper supervision of children and keep them away from unit.

Make sure all operators have been instructed on the safe and proper use of unit.

Make sure food product has been heated to the proper food-safe temperature before placing in the unit. Failure to heat food product properly may result in serious health risks. This unit is for holding pre-heated food product only.

Hatco Corporation is not responsible for actual food product serving temperature. It is the responsibility of the user to ensure food product is held and served at a safe temperature.

This unit has no “user-serviceable” parts. If service is required on this unit, contact an Authorized Hatco Service Agent or contact the Hatco Service Department at 800-558-0607 or 414-671-6350.

⚠ CAUTION

BURN HAZARD:

- Some exterior surfaces on unit will get hot. Use caution when touching these areas.
- Drain water may reach temperatures in excess of 200°F (93°C). Use appropriate plumbing materials when installing drain.
- DO NOT clean unit while it contains any food product. Remove food product and allow unit to cool completely before cleaning.

Locate unit at proper counter height in an area that is convenient for use. The location should be strong enough to support the weight of unit and contents.

Auto-Fill units must be installed with adequate backflow protection and must conform with all federal, state, and local codes.

NOTICE

Units are voltage-specific. Refer to specification label for electrical requirements before beginning installation.

Standard and approved manufacturing oils may smoke up to 30 minutes during initial startup. This is a temporary condition. Operate unit without food product until smoke dissipates.

Do not cook, warm, or hold food directly in well. Food must be held in a pan.

Do not locate unit in an area subject to excessive temperatures or grease from grills, fryers, etc. Excessive temperatures could cause damage to unit.

Unit is designed and recommended for use in or on metallic countertops. Damage to any countertop material is not covered under the Hatco warranty. For other surfaces, verify with manufacturer that material is suitable for prolonged temperatures up to 200°F (93°C).

NOTICE

Do not use steel wool for cleaning. Steel wool will scratch the finish.

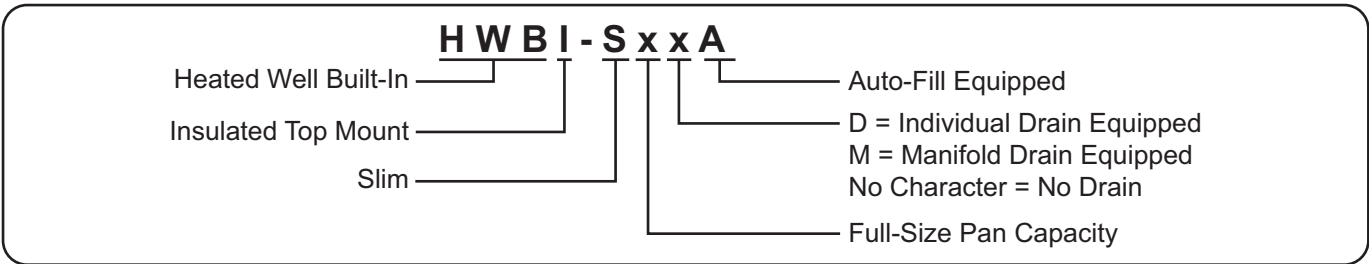
Use non-abrasive cleaners only. Abrasive cleaners could scratch the finish of unit, marring its appearance and making it susceptible to soil accumulation.

Do not use harsh chemicals such as bleach, cleaners containing bleach, or oven cleaners to clean this unit.

Unit must be allowed to cool down to room temperature before changing from wet-to-dry or dry-to-wet operation. Allowing unit to run dry during wet operation or adding water during dry operation will damage unit.

Drain sealants must have temperature rating of 500°F or higher. Incoming water pipes must be FDA compliant for potable water.

MODEL DESIGNATION



All Models

All Slim Drop-In Heated Wells are reliable and versatile. Each well has an insulated, stainless steel and aluminized steel housing with a metal-sheathed heating element. The heating element is controlled with a thermostatic temperature control and a lighted Power I/O (on/off) switch housed in a remote control enclosure. The remote control enclosure is connected to the unit with 72" (1829 mm) flexible conduit assemblies. Slim Drop-In Heated Wells are hardwired directly to a power source for a secure and cord free serving area.

All models are equipped with EZ locking hardware and designed to be mounted to the topside of a non-combustible countertop. Slim Drop-In Heated Wells are designed, manufactured, and tested to maintain safe food holding temperatures.

HWBI-S2, -S3, and -S4 Models

HWBI-SX models are capable of holding a variety of pan combinations in each heated well.

- One full size pan
- Two 1/2-size pans with adapter bar.
- Three 1/3-size pans with adapter bars.
- Six 1/6-size pans with adapter bars.
- Two 7 quart (7 l) round pans with adapter top.
- Three 4 quart (4 l) round pans with adapter top.

Food Pans, Pan Support Bars, and Adapter Tops sold separately (refer to the OPTIONS AND ACCESSORIES section in this manual).

HWBI-S2D, -S3D, and -S4D Models

HWBI-SXD models have the same capabilities as the HWBI-SX models but are equipped with a separate drain in each well. Each drain includes a 3/4" NPT drain fitting and a flat drain screen that allows pans to stay level for consistent temperatures.

HWBI-S2DA, -S3DA, and -S4DA Models

HWBI-SXDA models have the same capabilities as the HWBI-SXD models but also are equipped with the Auto-Fill feature.

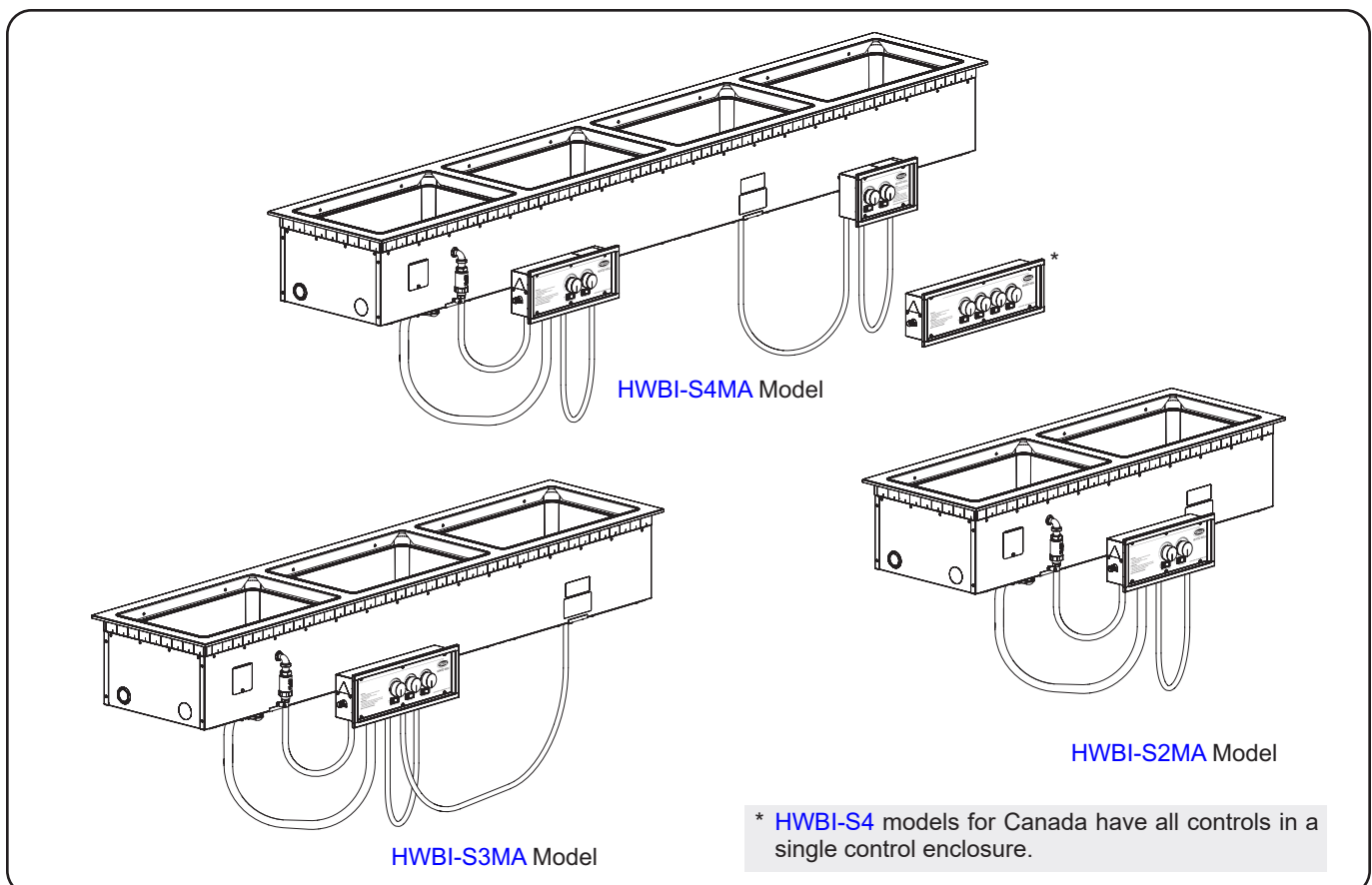
HWBI-S2M, -S3M, and -S4M Models

HWBI-SXM models have the same capabilities as the HWBI-SX models but are equipped with a manifold drain assembly. The manifold drain assembly is equipped with 1" NPT drain fittings. The drain fittings can be located on each end of the unit or on the bottom of the end well. Each well connected to the manifold drain assembly includes a flat drain screen that allows pans to stay level for consistent temperatures.

HWBI-S2MA, -S3MA, and -S4MA Models

HWBI-SXMA models have the same capabilities as the HWBI-SXM models but also are equipped with the Auto-Fill feature.

NOTE: HWBI-S4 models for Canada have all controls in a single control enclosure.



HWBI-S Models

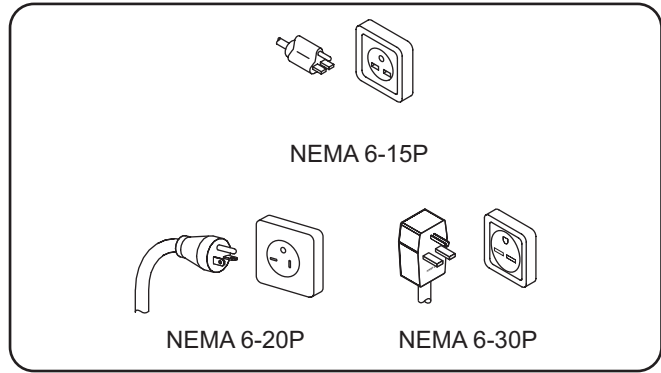
Plug Configuration

Some units are supplied from the factory with an optional electrical cord and plug installed. Plugs are supplied according to the application. Refer to the OPTIONS AND ACCESSORIES section for more information.



ELECTRIC SHOCK HAZARD: Plug unit into a properly grounded electrical receptacle of the correct voltage, size, and plug configuration. If plug and receptacle do not match, contact a qualified electrician to determine and install proper voltage and size electrical receptacle.

NOTE: Specification label located on side of the unit. See label for serial number and verification of unit electrical information.



Plug Configurations

NOTE: Receptacle not supplied by Hatco.

Electrical Rating Chart

Model	Voltage	Circuit	Watts	Amps	Phase	Plug Configuration *	Shipping Weight ‡
HWBI-S2	208	1	2415	11.6	1	NEMA 6-15P	84 lbs. (38 kg)
	208	1	2415	10.1	3	N/A	
	240	1	2415	10.1	1	NEMA 6-15P	
	240	1	2415	8.7	3	N/A	
	220-230	1	2415-2640	11.0-11.5	1	N/A	
	230-240	1	2218-2415	9.6-10.1		N/A	
HWBI-S3	208	1	3615	17.4	1	NEMA 6-30P	118 lbs. (54 kg)
	208	1	3615	10.1	3	N/A	
	240	1	3615	15.1	1	NEMA 6-20P	
	240	1	3615	8.8	3	N/A	
	220-230	1	3615-3951	16.4-17.2	1	N/A	
	230-240	1	3320-3615	14.4-15.1		N/A	
HWBI-S4	208 †	1	2415	11.6	1	N/A	155 lbs. (71 kg)
		2	2400	11.5			
	208	1	4815	23.2	1	NEMA 6-30P	
	208	1	4815	15.8	3	N/A	
	240 †	1	2415	10.1	1	N/A	
		2	2400	10.0			
	240	1	4815	20.1	1	NEMA 6-30P	
	240	1	4815	13.7	3	N/A	
	220-230	1	4815-5262	21.9-22.9	1	N/A	
230-240	1	4422-4815	19.2-20.1	N/A			

* Plugs are optional.

‡ Add 3 lbs. (1.4 kg) for “D” and “DA” models.

† Unit with multiple circuit connections. Each circuit requires a separate circuit breaker.

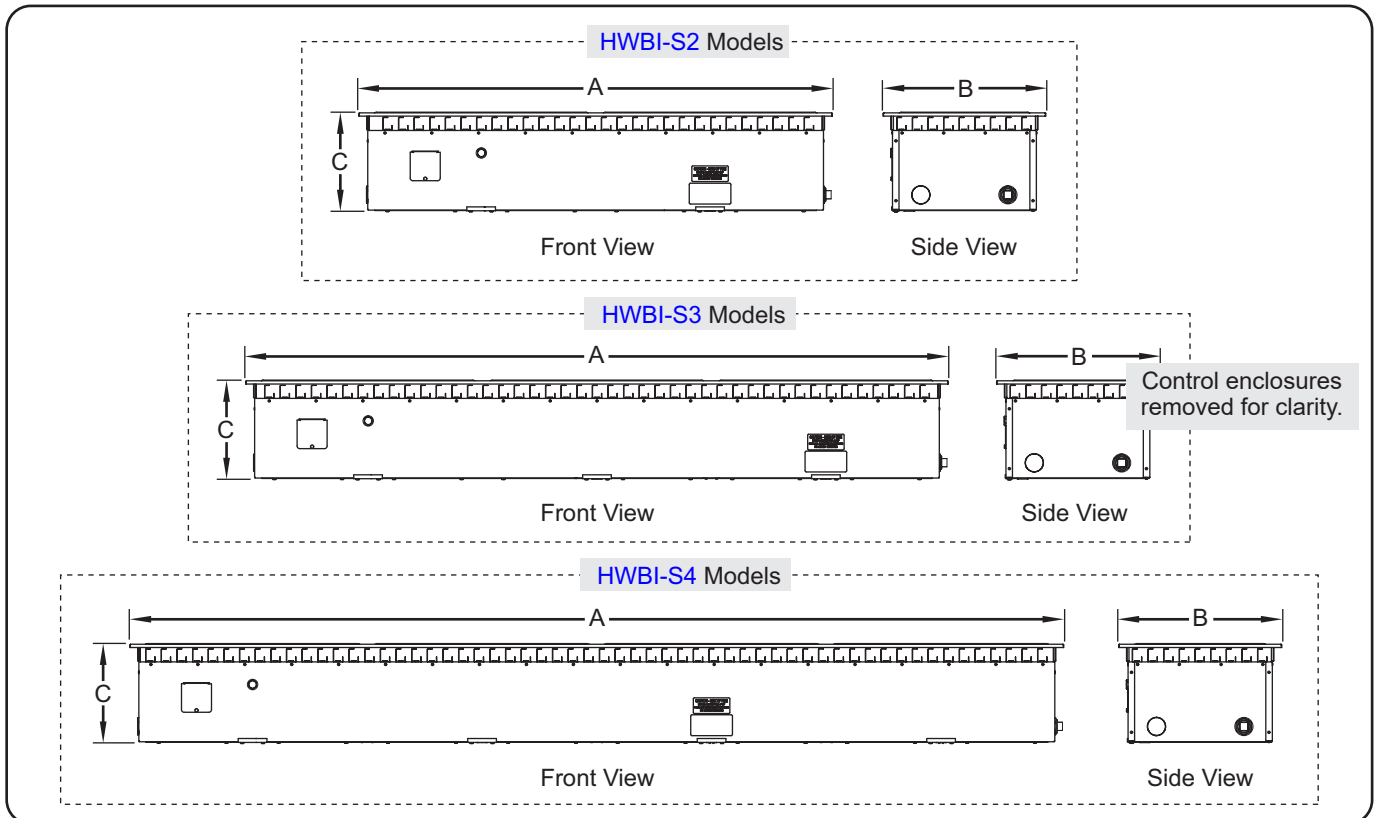
NOTE: Shipping weight includes packaging.

The shaded areas contain electrical information for **International models only**.

Dimensions

Model	Width (A)	Depth (B)	Height (C)
HWBI-S2	45-1/2" (1156 mm)	15-5/8" (397 mm)	9-7/16" (238 mm)
HWBI-S3	67-1/2" (1715 mm)	15-5/8" (397 mm)	9-7/16" (238 mm)
HWBI-S4	89-1/2" (2273 mm)	15-5/8" (397 mm)	9-7/16" (238 mm)

NOTE: Specification labels are located on the side of the unit and on the bottom of the control enclosure.



Water Supply Specifications (Auto-Fill Units)

	Minimum	Maximum
Water Pressure	25 psi (172 kPa)	100 psi (689 kPa)
Water Temperature	60°F (15°C)	100°F (38°C)

General

Slim Drop-In Heated Well units are shipped from the factory with most components assembled and ready for use. Use the following procedures to install the unit.

NOTE: All Slim Drop-In Heated Wells require the control enclosure to be remote mounted.



ELECTRIC SHOCK HAZARD:

- Unit must be installed by a qualified electrician. Installation must conform to all local electrical codes. Installation by unqualified personnel will void unit warranty and may lead to electric shock or burn, as well as damage to unit and/or its surroundings.
- Unit is not weatherproof. Locate unit indoors where ambient air temperature is a minimum of 70°F (21°C).

FIRE HAZARD:

- Install unit with a minimum of 3-1/2" (89 mm) of space from bottom of unit to all combustible surfaces to prevent combustion.
- Unit must be installed using ribbon putty gasket between unit and installation surface per installation instructions (refer to INSTALLATION section of this manual).

This unit must be installed by qualified, trained installers. Installation must conform to all local electrical and plumbing codes. Check with local plumbing and electrical inspectors for proper procedures and codes.



Locate unit at proper counter height in an area that is convenient for use. The location should be strong enough to support the weight of unit and contents.



Units are voltage-specific. Refer to specification label for electrical requirements before beginning installation.

Do not locate unit in an area subject to excessive temperatures or grease from grills, fryers, etc. Excessive temperatures could cause damage to unit.

Damage to any countertop material caused by heat generated from Hatco equipment is not covered under the Hatco warranty. Contact the manufacturer of the countertop material for application information.

1. Remove the unit from the box.

NOTE: To prevent delay in obtaining warranty coverage, complete online warranty registration. See the IMPORTANT OWNER INFORMATION section for details.

2. Remove tape and protective packaging from all surfaces of unit.

NOTE: A qualified electrician should connect the unit(s) to a power source. A qualified plumber should connect the water supply and drain(s).

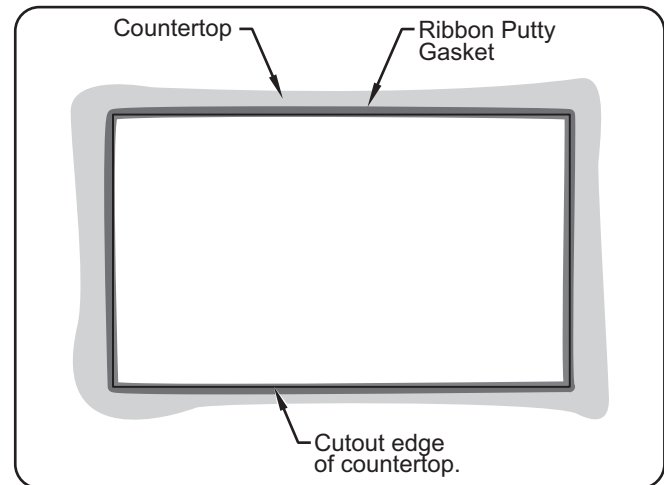
3. Install the unit in the desired location (refer to the "Installing the Unit" procedure later in this section).
4. Install the remote control enclosure (refer to the "Installing a Remote Control Enclosure" procedure later in this section).

Installing the Unit

NOTE: Cut the opening for both the unit and the control enclosure(s) before placing unit into the countertop opening.

1. Make sure the control enclosure installation location(s) is within reach of the conduit assemblies that run between the unit and the control enclosure(s).
2. Cut the appropriate opening in the countertop. Refer to the "Countertop Cutout Dimensions" chart in this section.
3. Cut the appropriate opening for the control enclosure(s). Refer to the "Control Enclosure Cutout Dimensions" chart in this section.
4. Place ribbon putty gasket around the cutout edge of the countertop. Make sure the ribbon putty gasket overhangs the cutout edge or seal unit with silicone adhesive.

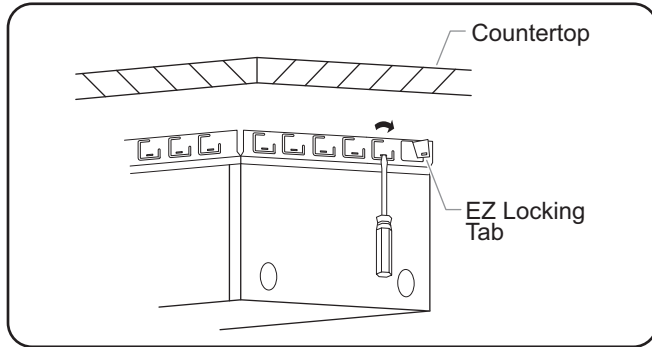
NOTE: A roll of ribbon putty gasket material is supplied with the unit.



Installing Ribbon Putty Gasket

5. Place the unit into the countertop opening.

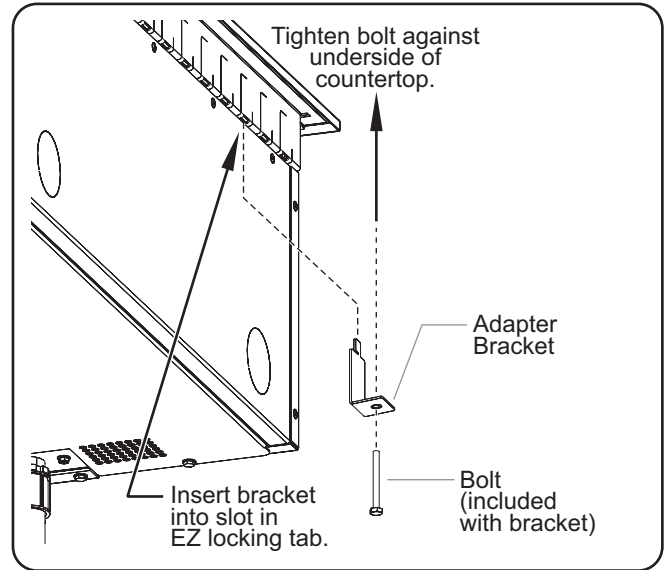
- Using a screwdriver, rotate the unit's EZ locking tabs outward to secure the unit to the underside of the countertop. Rotate **as** many tabs **as** needed to secure the unit to the countertop.



EZ Locking Tabs

NOTE: The Hatco EZ locking tabs work on countertops that have a maximum thickness of 3/16" (5 mm). For countertops 3/16"–2" (5–51 mm) thick, use an appropriate number of accessory thick countertop adapter brackets (P/N R04.42.194.00).

- Carefully trim and remove the excess ribbon putty material from around the unit.
- Install the control enclosure(s). Refer to the "Installing a Remote Control Enclosure" procedure in this section.

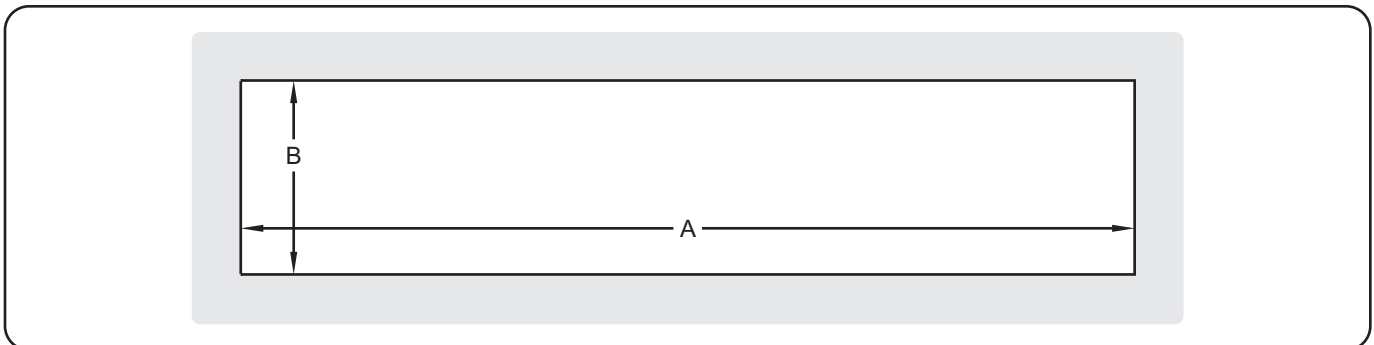


Thick Countertop Adapter Bracket

NOTE: Required minimum clearance below countertop cutout is 13-1/8" (333 mm) when installing around combustible surfaces and 11" (279 mm) around non-combustible surfaces. Allow additional clearance for units equipped with a drain. *Installing a Remote Control Enclosure*

Countertop Cutout Dimensions

Model	Opening Width (A)	Opening Depth (B)
HWBI-S2	44-1/8" – 44-3/8" (1121–1127 mm)	14-1/4" – 14-1/2" (362–368 mm)
HWBI-S3	66-1/8" – 66-3/8" (1680–1686 mm)	14-1/4" – 14-1/2" (362–368 mm)
HWBI-S4	88-1/8" – 88-3/8" (2238–2245 mm)	14-1/4" – 14-1/2" (362–368 mm)



Countertop Cutout Dimensions (Top View)

Installing a Remote Control Enclosure



ELECTRIC SHOCK HAZARD:

- Remote control enclosure must be mounted on vertical wall and installed in vertical position. Mounting remote control enclosure in horizontal position may result in collection of liquids and lead to electric shock.
- Operating voltage of remote control enclosure water valve exceeds 50 V (extra low voltage). Enclosure is marked with the following hazard identification symbol: ⚡

NOTE: A qualified electrician should connect the unit(s) to a power source. A qualified plumber should connect the water supply and drain(s).

NOTE: Refer to the Installing an Auto-Fill Unit before installing a Remote Control Enclosure.

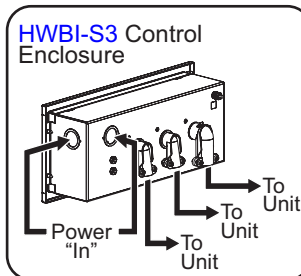
1. Cut and drill the appropriate holes in the mounting surface. Refer to the "Control Enclosure Cutout Dimensions" chart for the cutout dimensions for each control enclosure.
 - The cutout depth required for all control enclosures is 5" (127 mm).
 - Make sure to have enough space inside the cutout if installing with conduit on the side of the control enclosure.
 - For units with two control enclosures: If the unit is equipped with Auto-Fill, each enclosure cutout size will be different (see chart).

IMPORTANT NOTE:

Install the control enclosure on the front of the unit to ensure the controls correspond with the correct wells. The front of the unit is the side the conduit(s) enters under the unit.

2. Remove the trim cover from the control enclosure.
3. Position the control enclosure into the opening through the backside.
4. Secure the control enclosure to the mounting surface using screws (#8 sheet metal screw supplied).
5. Connect the proper power source to the mounted remote control enclosure. Wiring must be fixed a minimum of 4" (102 mm) from bottom of well(s).
6. Connect the water supply to the optional Auto-Fill system, if equipped. Refer to the "Side Mounted Auto-Fill" or "Drain Mounted Auto-Fill" procedure in the OPTIONS AND ACCESSORIES section.
7. Reinstall the trim cover. Seal the trim cover to the mounting surface with silicone adhesive

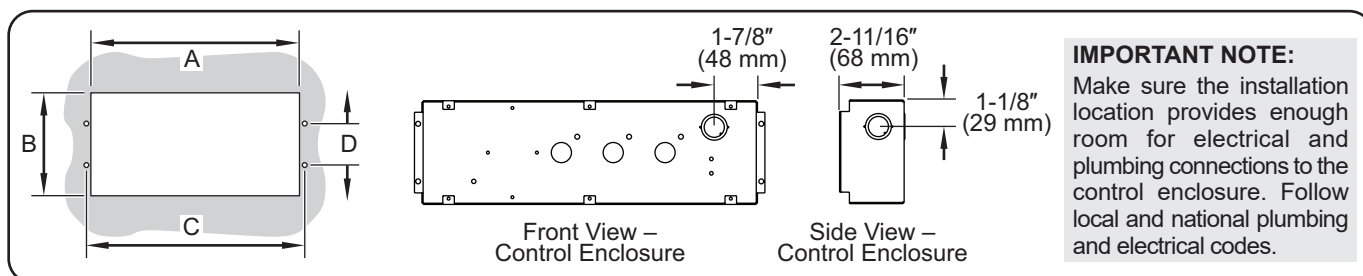
NOTE: Standard UL approved units are equipped with 72" (1829 mm) flexible conduit connected to the remote control enclosure.



Control Enclosure Cutout Dimensions

Model and Enclosure	Opening Dimensions		Screw Hole Dimensions	
	(A)	(B)	(C)	(D)
HWBI-S2 Control w/o Auto-Fill Control w/ Auto-Fill	8" (203 mm) 12-3/8" (314 mm)	4-3/4" (121 mm) 4-3/4" (121 mm)	8-5/16" (211 mm) 12-11/16" (321 mm)	2-1/2" (64 mm) 2-1/2" (64 mm)
HWBI-S3 Control w/o Auto-Fill Control w/ Auto-Fill	10-1/4" (260 mm) 14-5/8" (371 mm)	4-3/4" (121 mm) 4-3/4" (121 mm)	10-9/16" (268 mm) 14-15/16" (379 mm)	2-1/2" (64 mm) 2-1/2" (64 mm)
HWBI-S4 Left Control w/o Auto-Fill Left Control w/ Auto-Fill Right Control Single Enclosure w/o Auto-Fill * Single Enclosure w/ Auto-Fill *	8" (203 mm) 12-3/8" (314 mm) 8" (203 mm) 12-1/2" (318 mm) 16-7/8" (429 mm)	4-3/4" (121 mm) 4-3/4" (121 mm) 4-3/4" (121 mm) 4-3/4" (121 mm) 4-3/4" (121 mm)	8-5/16" (211 mm) 12-11/16" (321 mm) 8-5/16" (211 mm) 12-13/16" (324 mm) 17-3/16" (436 mm)	2-1/2" (64 mm) 2-1/2" (64 mm) 2-1/2" (64 mm) 2-1/2" (64 mm) 2-1/2" (64 mm)

* HWBI-S4 Series units with all controls in a single control enclosure — required for Canadian units.



Control Enclosure Cutout Dimensions

IMPORTANT NOTE:

Make sure the installation location provides enough room for electrical and plumbing connections to the control enclosure. Follow local and national plumbing and electrical codes.

Connecting A Drain Line

After installing a drain- or manifold-equipped unit into the countertop, use the following procedure to connect the unit to the on-site drain line. Refer to the OPTIONS AND ACCESSORIES section for manifold drain with valves information.

CAUTION

BURN HAZARD: Drain water may reach temperatures in excess of 200°F (93°C). Use appropriate plumbing materials when installing drain.

NOTICE

Drain sealants must have temperature rating of 500°F or higher. Incoming water pipes must be FDA compliant for potable water.

NOTE: Consult a licensed plumbing contractor for proper drain installation that conforms to local plumbing codes.

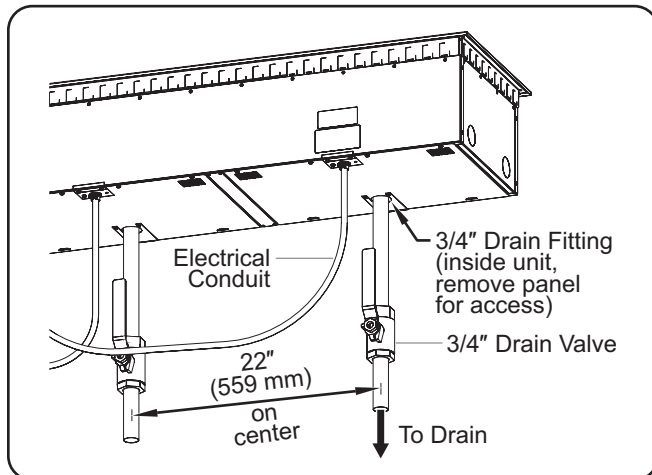
NOTE: Approved air gap or other back-flow prevention device must be installed by a licensed plumber, if required.

Individual Drain Units

1. Connect drain pipe (supplied by others) from the 3/4" NPT drain fittings on the bottom of each well to a 3/4" drain valve (supplied by others or available as an accessory from Hatco—refer to the OPTIONS AND ACCESSORIES section).

NOTE: The drain valve must be installed in an easily accessible location for the operator.

2. Connect the drain valve to the on-site drain line (supplied by others).



Individual Drain Connection

Manifold Drain Units

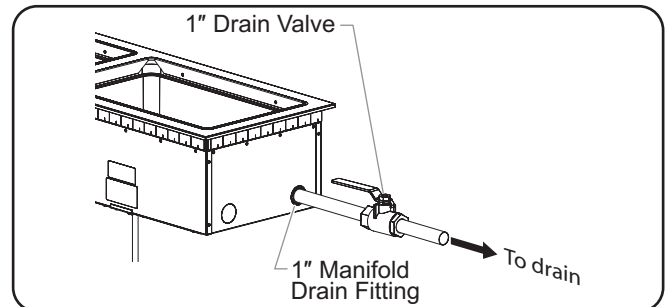
1. Connect drain pipe (supplied by others) from the 1" NPT manifold drain fitting to a 1" drain valve (supplied by others or available as an accessory from Hatco—refer to the OPTIONS AND ACCESSORIES section).

- Side/End Drain: manifold drain fitting located on either end of the unit.
- Bottom Drain: manifold drain fitting located on the bottom at either end of the unit.

NOTE: The drain valve must be installed in an easily accessible location for the operator.

2. Connect the drain valve to the on-site drain line (supplied by others).

3. Install a 1" NPT plug in the unused drain fitting.



Manifold Drain Connection

General

Use the following procedures to operate Slim Drop-In Heated Wells.



WARNING

Read all safety messages in the Important Safety Information section before operating this equipment.

ELECTRIC SHOCK HAZARD:

- **DO NOT** use unit to melt or hold ice. Doing so may cause condensation, creating an electrical hazard and causing personal injury and/or damage to unit. Damage caused by condensation is not covered by warranty.
- For units without Auto-Fill, turn off unit when filling with water and avoid splashing.

NOTICE

Standard and approved manufacturing oils may smoke up to 30 minutes during initial startup. This is a temporary condition. Operate unit without food product until smoke dissipates.

Unit must be allowed to cool down to room temperature before changing from wet-to-dry or dry-to-wet operation. Allowing unit to run dry during wet operation or adding water during dry operation will damage unit.

Hatco Slim Drop-In Heated Wells are designed for WET or DRY operation. Hatco recommends wet operation for consistent food heating. If the unit is operating wet and is allowed to run dry, turn it off and allow to cool before adding water.

Startup

1. Prepare the heated wells for operation.
 - If using the wells for dry operation, make sure the wells are clean and dry.
 - If using the wells for wet operation without Auto-Fill, make sure the drain valve is closed (if equipped) and manually fill the wells with hot tap water until the water is a maximum of 1-1/4" (32 mm) deep.
 - If the unit is equipped with the Auto-Fill option, make sure the drain valve is closed.

2. Move the Power I/O (on/off) switches to the **I** (on) position. The indicator light on each switch glows when it is on.

- If the unit is equipped with the Auto-Fill option, the far left Power I/O (on/off) switch will activate the Auto-Fill system when it is moved to the **I** (on) position. The well(s) will fill with water until the water reaches the water level sensor in the far left well. During operation, the Auto-Fill system will maintain the water level automatically using the water level sensor.

NOTE: For HWBI-S4 units equipped with Auto-Fill, turn on the left-hand control first, then turn on the right-hand control.

3. Turn the Temperature Control Knobs to the desired safe food temperature.



WARNING

Hatco Corporation is not responsible for actual food product serving temperature. It is the responsibility of the user to ensure food product is held and served at a safe temperature.

4. Allow the unit to preheat for approximately 30 minutes.



CAUTION

BURN HAZARD: Some exterior surfaces on unit will get hot. Use caution when touching these areas.

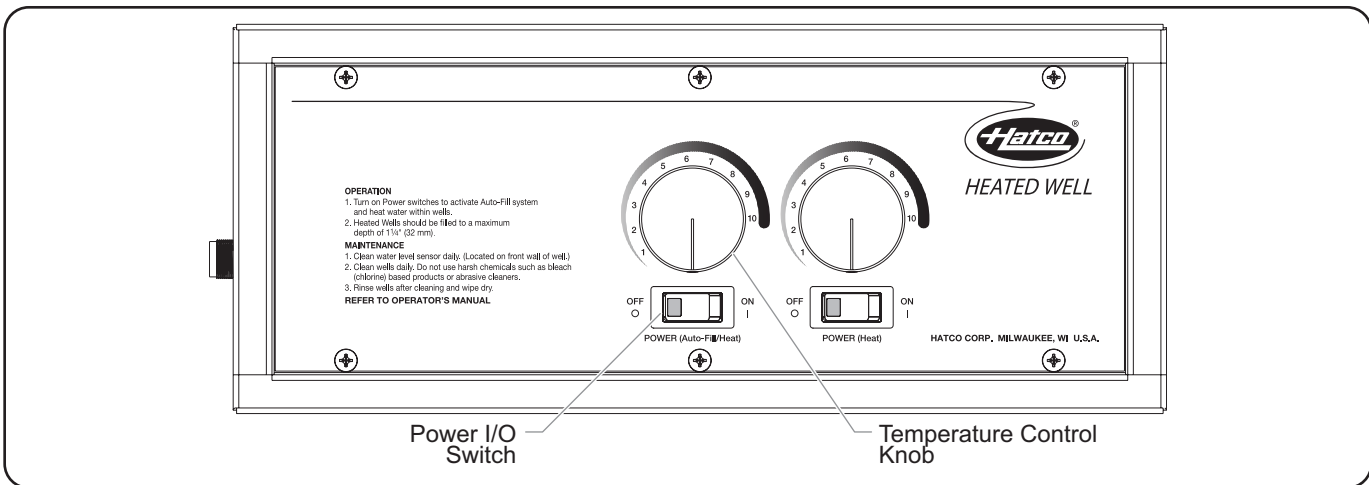
Food Warming

Place the appropriate size food pans with pre-heated food product into the heated wells.

- Always use a food pan. Do not place food directly into the heated well.
- Stir thick food items frequently to keep food heated uniformly.
- Keep pans covered to maintain food quality and temperature.

Shutdown

1. Move the Power I/O (on/off) switches to the **O** (off) position. The indicator light on the switches will shut off and the Auto-Fill system will be deactivated (if equipped).



HWBI-S2DA Control Enclosure (unit with drains and Auto-Fill)

General

Hatco Slim Drop-In Heated Wells are designed for maximum durability and performance, with minimum maintenance.



WARNING

ELECTRIC SHOCK HAZARD:

- Turn OFF power switch, unplug power cord/turn off power at circuit breaker, and allow unit to cool before performing any cleaning, adjustments, or maintenance.
- DO NOT submerge or saturate with water. Unit is not waterproof. Do not operate if unit has been submerged or saturated with water.
- Do not clean unit when it is energized or hot.
- This unit is not “jet-proof” construction. Do not use jet-clean spray to clean this unit.

FIRE HAZARD: Do not use flammable cleaning solutions to clean this unit.

This unit has no “user-serviceable” parts. If service is required on this unit, contact an Authorized Hatco Service Agent or contact the Hatco Service Department at 800-558-0607 or 414-671-6350.

NOTICE

Do not use steel wool for cleaning. Steel wool will scratch the finish.

Use non-abrasive cleaners only. Abrasive cleaners could scratch the finish of the unit, marring its appearance and making it susceptible to soil accumulation.

Do not use harsh chemicals such as bleach, cleaners containing bleach, or oven cleaners to clean this unit.

Daily Cleaning

To preserve the finish of the heated well(s), perform the following cleaning procedure daily.

1. Move the Power I/O (on/off) switch(es) to the **O** (off) position and allow the unit to cool.
2. Remove and wash any pans and adapters.
3. Open the drain valve(s) (if equipped) or manually remove water from the wells if used for wet operation.
4. Wipe down the entire unit using a clean cloth or sponge and mild detergent.
5. Use a plastic scouring pad to remove any hardened food particles or mineral deposits.
6. Rinse the well(s) thoroughly with hot water to remove all detergent residue.
7. Wipe dry the entire unit using a non-abrasive, dry cloth.

Removing Lime and Mineral Deposits

Use the following procedure weekly or whenever lime or scale is seen accumulating on the sides of the heated wells.

1. Move the Power I/O (on/off) switch(es) to the **O** (off) position and allow the unit to cool.
2. Remove and wash any pans and adapters.
3. Open the drain valve(s) (if equipped) or manually remove water from the wells if used for wet operation.
4. Close the drain valve(s).
5. Fill the water reservoir with a mixture of 50% water and 50% white vinegar. Do not use flavored vinegar.
6. Move the Power I/O (on/off) switches to the **I** (on) position and heat the solution to the maximum temperature of 190°F (88°C).
7. Move the Power I/O (on/off) switch to the **O** (off) position and cover the well(s).
8. Allow the solution to soak for at least one hour or overnight for heavy buildup.
9. Drain or remove the hot water/cleaning solution from the wells.
10. Scrub the wells with a plastic scouring pad.
11. Rinse the wells thoroughly with hot water.
12. Wipe dry the entire unit using a non-abrasive, dry cloth..

NOTE: Heavy scale buildup may require additional treatments.



This unit must be serviced by qualified personnel only. Service by unqualified personnel may lead to electric shock or burn.



ELECTRIC SHOCK HAZARD: Turn OFF power switch, unplug power cord/turn off power at circuit breaker, and allow unit to cool before performing any cleaning, adjustments, or maintenance.

Symptom	Probable Cause	Corrective Action
Heated wells not hot enough.	Temperature Control set too low.	Adjust Temperature Control to a higher setting.
	Heating element not working.	Contact Authorized Service Agent or Hatco for assistance.
	Temperature Control not working properly.	
	Voltage supplied is incorrect.	Verify correct voltage is supplied to unit. Low supply voltage will cause improper heating.
Heated wells too hot.	Temperature Control set too high.	Adjust Temperature Control to a lower setting.
	Temperature Control not working properly.	Contact Authorized Service Agent or Hatco for assistance.
	Voltage supplied is incorrect.	Verify correct voltage is supplied to unit. High supply voltage will cause unit to overheat and may damage the unit.
No heat.	Unit turned off.	Turn on unit.
	Circuit breaker tripped.	Reset circuit breaker. If circuit breaker continues to trip, contact Authorized Service Agent or Hatco.
	Temperature Control not working properly.	Contact Authorized Service Agent or Hatco for assistance.
	Heating element not working.	
Auto-Fill system not working.	Water level sensor is dirty and not "sensing" properly.	Perform the "Cleaning" procedure in the Maintenance section with special focus on the water level sensor.
	Water not supplied to fill valve.	Verify water supply is correctly installed.
	Left well is turned off.	Turn on left well to allow Auto-Fill system to function properly.
	Water fill valve malfunctioning.	Contact Authorized Service Agent or Hatco for assistance.
Food product not holding hot enough.	Well being operated as a dry unit.	Allow unit to cool and fill with the appropriate amount of water for wet operation. Wet operation promotes consistent hot food holding.
Temperature control knobs heat wrong well.	Control enclosure installed incorrectly.	Install control enclosure on the front side of the unit. Contact Authorized Service Agent or Hatco for assistance.

Troubleshooting Questions?

If you continue to have problems resolving an issue, please contact the nearest Authorized Hatco Service Agency or Hatco for assistance. To locate the nearest Service Agency, log onto the Hatco website at www.hatcocorp.com, select the *Support* pull-down menu, and click on "Find A Service Agent"; or contact the **Hatco Parts and Service Team** at:

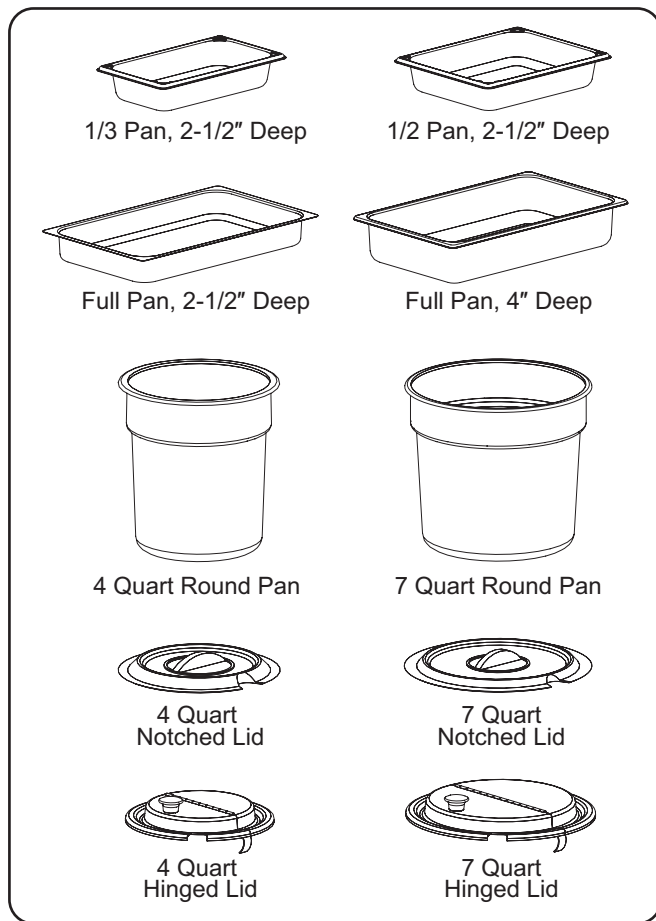
Telephone: 800-558-0607 or 414-671-6350

e-mail: support@hatcocorp.com

Food Pans

Stainless steel food pans are available in various sizes.

- ST PAN 1/3**.....Third-size stainless steel pan — 12-3/4"W x 6-7/8"D x 2-1/2"H (324 x 175 x 64 mm)
- ST PAN 1/2**.....Half-size stainless steel pan — 12-3/4"W x 10-3/8"D x 2-1/2"H (324 x 264 x 64 mm)
- ST PAN 2**.....Full size stainless steel pan at 2-1/2" (64 mm) deep — 12-3/4"W x 20-3/4"D x 2-1/2"H (324 x 527 x 64 mm)
- ST PAN 4**.....Full size stainless steel pan at 4" (102 mm) deep — 12-3/4"W x 20-3/4"D x 4"H (324 x 527 x 102 mm)
- 4QT-PAN**4 quart (4 l) round pan — 6-3/4" dia x 8"H (171 x 203 mm)
- 7QT-PAN**7 quart (7 l) round pan — 8-11/16" dia x 8"H (221 x 203 mm)
- 4QT-LID-1**.....4 quart (4 l) round, notched lid
- 7QT-LID-1**.....7 quart (7 l) round, notched lid
- 4QT-LID**.....4 quart (4 l) round, hinged and notched lid
- 7QT-LID**.....7 quart (7 l) round, hinged and notched lid

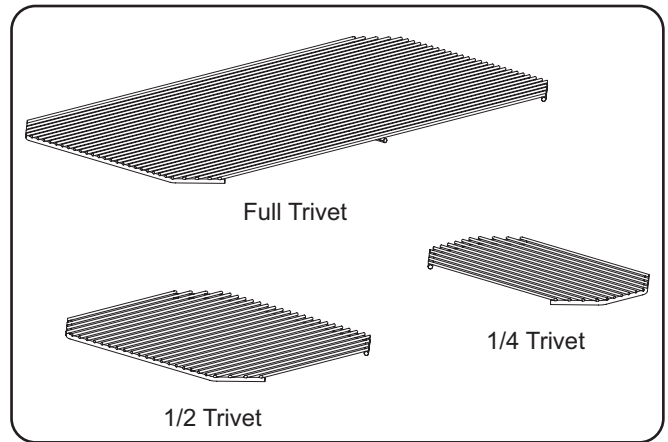


Stainless Steel Food Pans

Trivets

Stainless steel or nickel-plated trivets are available in various sizes.

- TRIVET (1/4)SS**.....Quarter-size stainless steel trivet — 8-1/2"W x 4-1/2"D (216 x 114 mm)
- TRIVET (1/2)SS**.....Half-size stainless steel trivet — 10-3/16"W x 7-5/8"D (259 x 194 mm)
- TRIVET SS**.....Full size stainless steel trivet — 10-1/8"W x 18"D (257 x 457 mm)
- TRIVET (1/2)**.....Half-size nickel-plated trivet — 10-3/16"W x 7-5/8"D (259 x 194 mm)
- TRIVET**.....Full size nickel-plated trivet — 10-1/8"W x 18"D (257 x 457 mm)



Trivets

Miscellaneous

- BALLVALVE3/4**.....3/4" NPT ball valve for installation on external drain line of units with individual drains.
- BALLVALVE1INCH**..1" NPT ball valve for installation on external drain line of units with manifold drain assemblies.
- GATEVALVE3/4IN**.....3/4" NPT gate valve for installation on external drain line of units with individual drain assemblies.
- GATEVALVE1INCH**..1" NPT gate valve for installation on external drain line of units with manifold drain assemblies.
- Adapter Bracket**
HWB-MNT-REC.....Adapter brackets (8) for installing heated wells into non-combustible countertops that are 3/16" – 2" thick.

Over-Sized Bezel

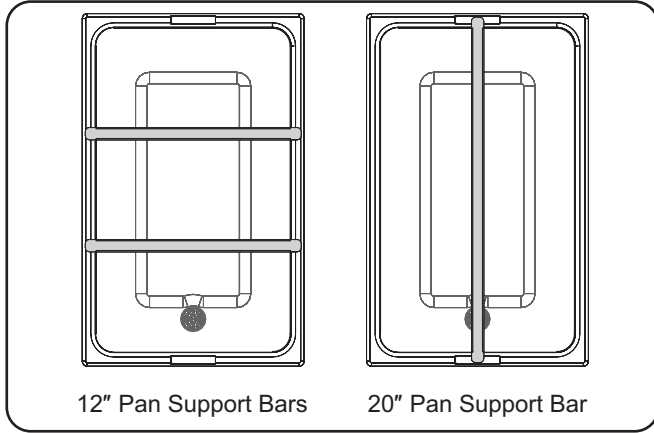
An over-sized bezel is available for all models as a non-retrofitable option. Models with an over-sized bezel match the depth dimensions of a Hatco Refrigerated Drop-In Well.

Pan Support Bars

The following pan support bars are available to divide the heated wells into sections for different size pans.

HWBGM12BAR 12" (305 mm) Pan Support Bar

HWBGM20BAR 20" (508 mm) Pan Support Bar



12" Pan Support Bars

20" Pan Support Bar

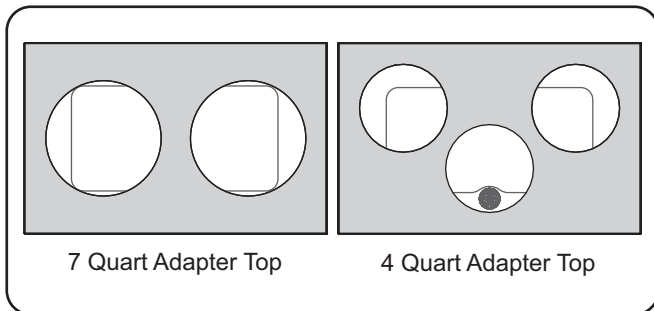
Pan Support Bars

Adapter Tops

The following adapter tops are available to allow rectangular heated wells to hold round pans.

HWB-2-7Q..... Adapter to convert HWBI-S Series heated wells to hold two 7-quart (7 l) round pans.

HWB-3-4Q..... Adapter to convert HWBI-S Series heated wells to hold three 4-quart (4 l) round pans.



7 Quart Adapter Top

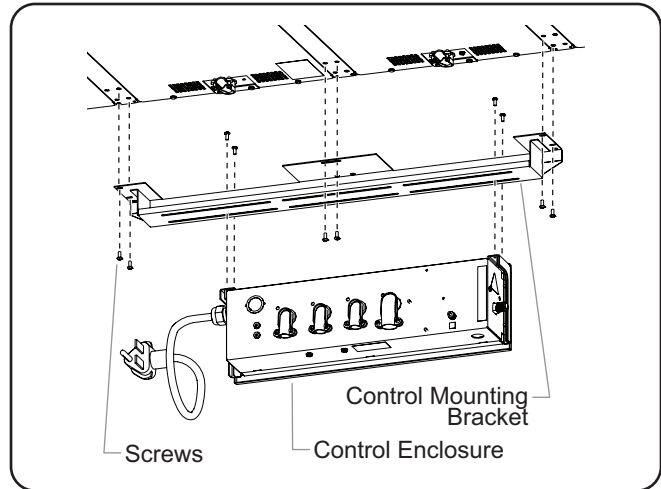
4 Quart Adapter Top

Pan Support Bars

Attached Cord and Plug

An attached cord and plug is available as a factory-installed option for most models with a single phase electrical configuration and without an extended control conduit.

- Secure the control enclosure to the desired location on the control mounting bracket using supplied screws.
 - Refer to the "Installing a Remote Control Enclosure" procedure in the INSTALLATION section if mounting the control enclosure remotely.
- Plug unit into a properly grounded electrical receptacle of the correct voltage, size, and plug configuration. See SPECIFICATIONS section for details.



Installing Control Enclosure with Cord and Plug

Converting a Unit to 3-Phase

HWBI-S2, -S3, and -S4 units not supplied with a cord and plug can be converted to a 3-phase electrical configuration. Use the following procedure to convert a single phase unit to the 3-phase option.



ELECTRIC SHOCK HAZARD:

- Turn OFF power switch, turn off power at circuit breaker, and allow unit to cool before performing any cleaning, adjustments, or maintenance.
- This unit must be serviced by qualified personnel only. Service by unqualified personnel may lead to electric shock or burn.

- Make sure the Power I/O switch is in the **O** (off) position and the main power supply is off at the circuit breaker.
- Remove the trim cover from the control enclosure.
 - For HWBI-S4 units with two control enclosures, only remove the trim cover from the enclosure on the right (when facing the operator side of the unit) to perform the 3-phase conversion.
- Locate the terminal block in the control enclosure and perform the appropriate wiring changes to convert the unit to 3-phase. Refer to the proper wiring diagram (supplied with unit) listed below for the details regarding the wiring changes.

- Wiring Diagram 10-01-549** = All HWBI-S2 and HWBI-S3 units as well as HWBI-S4 units with two control enclosures.

- Wiring Diagram 10-01-565** = All HWBI-S4 units with a single control enclosure.

NOTE: To obtain a wiring diagram, contact an Authorized Service Agent or Hatco for assistance (refer to the back page of this manual).

- After the 3-phase conversion is complete, apply the "CONVERTED TO 3 PHASE" label to the inside of the control enclosure, next to the terminal block. The label is included in the information packet with this manual.
- Replace the trim cover on the control enclosure.
- Reconnect the power supply and test the unit for proper operation.

Side Mounted Auto-Fill

The side mounted Auto-Fill option connects the on-site water supply through the control panel to an Auto-Fill fitting on the side of the well enclosure. Use the following procedure to install a unit equipped with the side mounted Auto-Fill option.

CAUTION

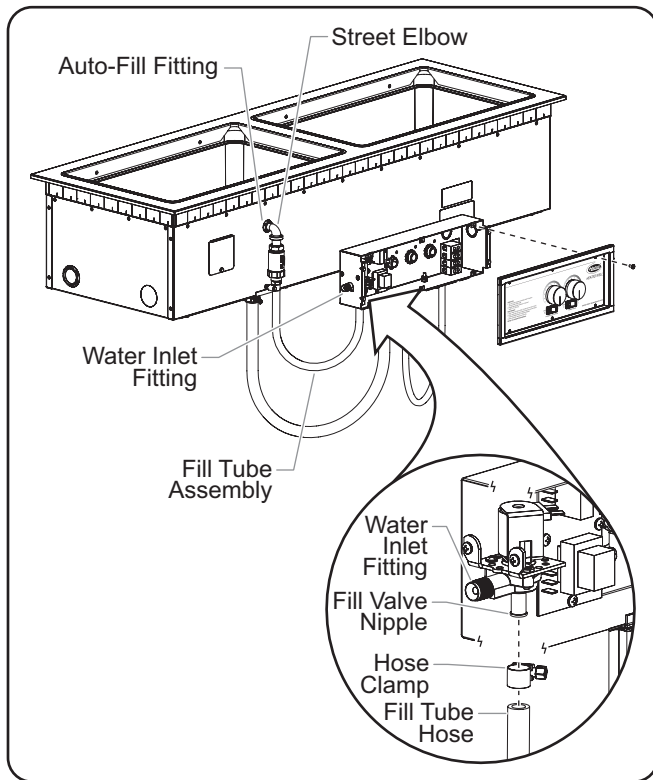
Auto-Fill units must be installed with adequate backflow protection and must conform with all federal, state, and local codes.

1. Connect the street elbow to the Auto-Fill fitting located on the outside of the well. Replace the fill tube hose on fitting.

NOTE: The fill tube hose may need to be removed from the fill tube assembly for ease of installation.

2. Connect the fill tube hose to the fill valve nipple in the control enclosure and secure using the hose clamp. (Disassemble the control enclosure trim cover to access the nipple.)
3. Connect the on-site water supply line to the 1/4" NPT water inlet fitting on the control enclosure.
4. Turn on the water supply and check for leaks.

NOTE: Make sure unit is connected to the on-site drain line before testing Auto-Fill operation.



Installing an Auto-Fill Unit

NOTE: Refer to "Water Supply Specifications" in the SPECIFICATIONS section of this manual for water supply requirements.

Drain Mounted Auto-Fill

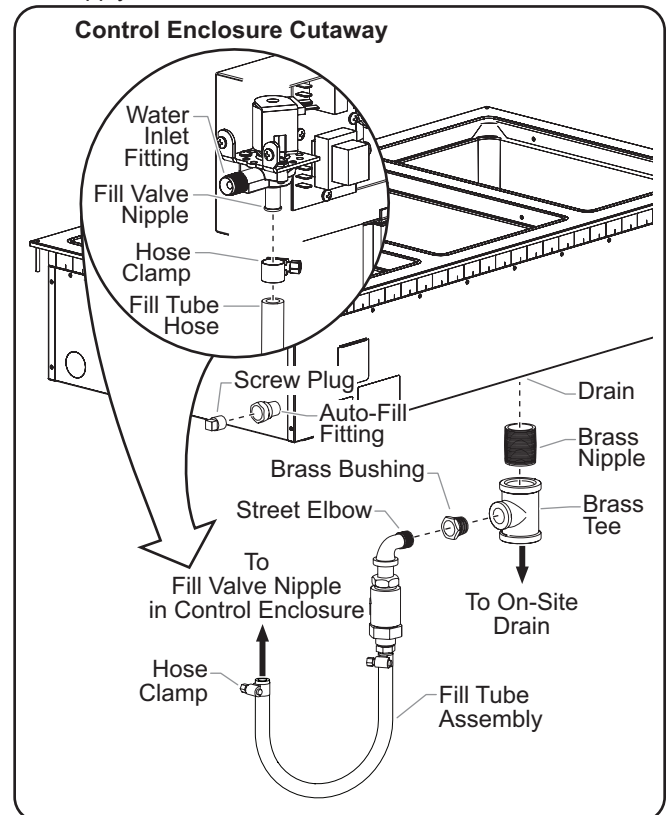
The drain mounted Auto-Fill option connects the on-site water supply through the control panel to the drain connection on the side or bottom of a unit with a manifold drain system. Use the following procedure to install a unit with the drain mounted Auto-Fill option.

1. Secure the screw plug into the Auto-Fill fitting on the outside of the well.
2. Install the brass nipple into the drain fitting on the bottom or side of the well.
3. Thread the brass tee fitting onto the brass nipple.
4. Thread the brass bushing into the side of the brass tee fitting.

5. Connect the fill tube assembly street elbow to the brass bushing.

NOTE: The fill tube hose may need to be removed from the fill tube assembly for ease of installation.

6. Connect the fill tube hose to the fill valve nipple in the control enclosure and secure using the hose clamp. (Disassemble the control enclosure trim cover to access the nipple.)
7. Connect the on-site drain line with shut-off valve to the open end on the brass tee fitting.
8. Connect the on-site water supply line to the 1/4" NPT water inlet fitting on the control enclosure.
9. Close the on-site drain shut-off valve, turn on the water supply, and check for leaks.



Drain Mounted Auto-Fill

WARRANTY, EXCLUSIVE REMEDY:

Hatco Corporation (Seller) warrants that the products it manufactures (Products) will be free from defects in materials and workmanship under normal use and service and when stored, maintained, and installed in strict accordance with factory recommendations. Seller's sole obligation to the person or entity buying the Products directly from Seller (Customer) under this warranty is the repair or replacement by Seller or a Seller-authorized service agency, at Seller's option, of any Product or any part thereof deemed defective upon Seller's examination, for a period of: (i) the Warranty Duration from the date of shipment by Seller or (ii) the Warranty Duration from the date of Product registration in accordance with Seller's written instructions, whichever is later. The "Warranty Duration" shall mean the specific periods set forth below for specific Product components, or, to the extent not listed below, eighteen (18) months. Credit for Products or parts returned with the prior written permission of Seller will be subject to the terms shown on Seller's material return authorization form. PRODUCTS OR PARTS RETURNED WITHOUT PRIOR WRITTEN PERMISSION OF SELLER WILL NOT BE ACCEPTED FOR CREDIT. Expenses incurred by Customer in returning, replacing, or removing the Products will not be reimbursed by Seller. If the defect comes under the terms of the limited warranty, the Products will be repaired or replaced and returned to the Customer and the cost of return freight will be paid by Seller. The remedy of repair or replacement provided for herein is Customer's exclusive remedy. Any improper use, alteration, repairs, tampering, misapplication, improper installation, application of improper voltage, or any other action or inaction by Customer or others (including the use of any unauthorized service agency) that in Seller's sole judgment adversely affects the Product shall void this warranty. The warranty expressly provided herein may only be asserted by Customer and may not be asserted by Customer's customers or other users of the Products; provided, however, that if Customer is an authorized equipment dealer of Seller, Customer may assign the warranty herein to Customer's customers, subject to all of the limitations of these Terms, and in such case, the warranty shall be exclusively controlled by Seller in accordance with these Terms. THIS LIMITED WARRANTY IS EXCLUSIVE AND IS IN LIEU OF ANY OTHER WARRANTY, EXPRESSED OR IMPLIED, INCLUDING BUT NOT LIMITED TO ANY IMPLIED WARRANTY OF NONINFRINGEMENT, MERCHANTABILITY, OR FITNESS FOR A PARTICULAR PURPOSE, WHICH ARE EXPRESSLY DISCLAIMED.

One (1) Year Parts and Labor PLUS One (1) Additional Year Parts-Only Warranty:

- Conveyor Toaster Elements (metal sheathed)
- Drawer Warmer Elements (metal sheathed)
- Drawer Warmer Drawer Rollers and Slides
- Food Warmer Elements (metal sheathed)
- Display Warmer Elements (metal sheathed air heating)
- Holding Cabinet Elements (metal sheathed air heating)
- Heated Well Elements — HW, HWB, and HWBI Series (metal sheathed)

Two (2) Year Parts and Labor Warranty:

- Induction Ranges
- Induction Warmers

One (1) Year Replacement Warranty:

- TPT Pop-Up Toasters

One (1) Year Parts and Labor PLUS Four (4) Years Parts-Only Warranty:

- 3CS and FR Tanks

One (1) Year Parts and Labor PLUS Nine (9) Years Parts-Only Warranty:

- Electric Booster Heater Tanks
- Gas Booster Heater Tanks

Ninety (90) Day Parts-Only Warranty:

- Replacement Parts

Notwithstanding anything herein to the contrary, the limited warranty herein will not cover components in Seller's sole discretion such as, but not limited to, the following: coated incandescent light bulbs, fluorescent lights, heat lamp bulbs, coated halogen light bulbs, halogen heat lamp bulbs, xenon light bulbs, LED light tubes, glass components, and fuses; Product failure in booster tank, fin tube heat exchanger, or other water heating equipment caused by liming, sediment buildup, chemical attack, or freezing.

WARRANTY REGISTRATION INSTRUCTIONS:

Product registration must be submitted within 90 days from the date of shipment from our factory to qualify for additional coverage. Registration may be submitted through the form on Seller's website, through the form accessible through the QR code on the Product (where available), or by calling Customer Service with the required information at: **800-558-0607** or **414-671-6350**.

LIMITATION OF LIABILITY:

SELLER WILL NOT BE LIABLE FOR ANY INDIRECT, INCIDENTAL, CONSEQUENTIAL, PUNITIVE, EXEMPLARY, OR SPECIAL DAMAGES, INCLUDING WITHOUT LIMITATION ANY LOST PROFITS, COSTS OF SUBSTITUTE PRODUCTS, OR LABOR COSTS ARISING FROM THE SALE, USE, OR INSTALLATION OF THE PRODUCTS, FROM THE PRODUCTS BEING INCORPORATED INTO OR BECOMING A COMPONENT OF ANOTHER PRODUCT, OR FROM ANY OTHER CAUSE WHATSOEVER, WHETHER BASED ON WARRANTY (EXPRESSED OR IMPLIED) OR OTHERWISE BASED ON CONTRACT, TORT, OR ANY OTHER THEORY OF LIABILITY, AND REGARDLESS OF ANY ADVICE OR REPRESENTATIONS THAT MAY HAVE BEEN RENDERED BY SELLER CONCERNING THE SALE, USE, OR INSTALLATION OF THE PRODUCTS, EVEN IF SELLER IS AWARE OF THE POSSIBILITY OF SUCH DAMAGES. IN NO EVENT WILL SELLER'S AGGREGATE LIABILITY ARISING OUT OF OR RELATED TO THIS AGREEMENT EXCEED THE TOTAL AMOUNTS PAID TO SELLER BY CUSTOMER FOR THE PRODUCTS WITHIN THE THREE (3) MONTH PERIOD IMMEDIATELY PRECEDING THE EVENT GIVING RISE TO CUSTOMER'S CLAIM. THE LIMITATIONS SET FORTH HEREIN REGARDING SELLER'S LIABILITY SHALL BE VALID AND ENFORCEABLE NOTWITHSTANDING A FAILURE OF ESSENTIAL PURPOSE OF THE LIMITED REMEDY SPECIFIED IN THESE TERMS.

Seller reserves the right to update these Terms at any time, at its sole discretion, which become binding upon the date of publishing. For the most current version of our full Terms of Sale, see our website at: <https://www.hatcocorp.com/terms-of-sale>

Informations Importantes pour le Propriétaire	19	Installation.....	25
Introduction.....	19	Généralités	25
Consignes de Sécurité Importantes.....	20	Tableau des découpes dans la table de travail.....	26
Désignation du Modèle.....	21	Installation d'un boîtier de commande à distance.....	26
Description du Modèle.....	22	Branchement d'un tuyau de vidange.....	28
Caractéristiques Techniques	23	Mode d'emploi	29
Configurations des fiches.....	23	Généralités	29
Tableau des valeurs nominales électriques	23	Maintenance.....	30
Dimensions.....	24	Généralités	30
Caractéristiques de l'approvisionnement en eau		Nettoyage quotidien.....	30
(unités d'auto-remplissage).....	24	Retrait des dépôts de chaux et de minéraux	30
		Guide de Dépannage.....	31
		Options et accessoires	32
		Garantie Limitée	36

INFORMATIONS IMPORTANTES POUR LE PROPRIÉTAIRE

Notez le numéro de modèle, le numéro de série, la tension et la date d'achat de l'appareil dans les espaces ci-dessous (étiquette de spécification située sur le côté de l'appareil). Veuillez avoir cette information à portée de la main si vous appelez Hatco pour assistance.

Modèle No. _____

Numéro de série _____

Voltage _____

Date d'achat _____

Enregistrez votre appareil!

- Remplissez la garantie en ligne pour éviter les retards pour faire jouer la garantie. Accédez au site Web Hatco www.hatcocorp.com, sélectionnez le menu déroulant *Support (Assistance)*, puis cliquez sur « Warranty » (Garantie).

Horaires

ouvrables : 7h00 à 17h00 du lundi au vendredi
Heure du Centre (CT)
(Horaires d'été—juin à septembre:
7h00 à 17h00 du lundi au jeudi
7h00 à 16h00 le vendredi)

Téléphone: 800-558-0607; 414-671-6350

Courriel: support@hatcocorp.com



Service d'assistance et de pièces de rechange disponible 7j/7, 24h/24 aux États-Unis et au Canada en composant le 800-558-0607.

Des renseignements supplémentaires sont disponibles sur notre site Web à www.hatcocorp.com.

Les cuves chauffantes allongées Drop-In Hatco ont été spécialement conçues pour contenir des aliments froids à une température de service adéquate tout en garantissant un accès libre et facile à tous les éléments présents dans la cuve. Conçus pour des applications à sec ou avec de l'eau, les puits sont disponibles dans une gamme de combinaisons de bacs et de casseroles, tous chauffés grâce à un élément de chauffage durable garanti 2 ans. L'élément de chauffage en métal est contrôlé à distance par un thermostat. La chaleur est distribuée de manière égale à travers un élément grosse jauge en acier inoxydable pour s'assurer que la nourriture reste chaude. Ce modèle est facile d'entretien et permet des performances durables. Les unités standard sont classées UL et sont équipées d'un boîtier de commande à distance.

Les appareils sont équipés du dispositif de montage EZ lock pour une installation rapide et facile. Les commandes incluent des interrupteurs d'alimentation individuels éclairés et des commandes de thermostat pour gérer les paramètres de température. La garantie d'un an pour les pièces ainsi que pour la main d'œuvre sur place est standard.

Les cuves chauffantes allongées Drop-In Hatco sont des produits qui ont bénéficié de recherche extensive et d'essais sur le terrain. Les matériaux utilisés ont été sélectionnés pour une durabilité maximale, une apparence séduisante et des performances optimales. Chaque unité est inspectée et testée minutieusement avant d'être expédiée.

Ce manuel fournit les instructions d'installation, de sécurité et de fonctionnement pour les cuves chauffantes allongées Drop-In. Hatco vous recommande de lire l'ensemble des instructions d'installation, de sécurité et de fonctionnement contenues dans ce manuel avant d'installer et d'utiliser l'appareil.

Les consignes de sécurité qui apparaissent dans ce manuel sont identifiées par les mots indicateurs suivants :

AVERTISSEMENT

AVERTISSEMENT indique une situation dangereuse qui, si elle n'est pas évitée, peut provoquer la mort ou des blessures graves.

ATTENTION

ATTENTION indique une situation dangereuse qui, si elle n'est pas évitée, peut provoquer des blessures légères ou moyennes.

AVIS

AVIS est utilisé pour des questions sans rapport avec des blessures corporelles.



Lisez les consignes de sécurité importantes suivantes avant d'utiliser cet équipement pour éviter toute blessure grave ou la mort et pour éviter d'endommager l'équipement ou la propriété.

⚠ AVERTISSEMENT

DANGER DE DÉCHARGE ÉLECTRIQUE:

- L'appareil doit être installé par un électricien qualifié. L'installation doit être conforme à l'ensemble des réglementations électriques locales. Une installation par un personnel non qualifié provoquera une annulation de la garantie de l'appareil. Elle peut également entraîner un choc électrique ou une brûlure et endommager l'appareil et/ou les zones environnantes.
- Placez l'interrupteur sur Arrêt, débranchez le cordon d'alimentation/arrêtez le courant au disjoncteur et laissez l'unité refroidir avant d'effectuer la moindre opération de maintenance ou de nettoyage.
- NE PAS immerger l'appareil ni le saturer d'eau. L'appareil n'est pas étanche à l'eau. Ne pas le faire fonctionner s'il a été immergé ou saturé d'eau.
- L'appareil n'est pas à l'épreuve des intempéries. Placer l'appareil à l'intérieur à une température ambiante de 21°C minimum.
- Le panneau de contrôle intégré à distance peut être installé sur un mur vertical en position verticale. Installer le panneau de contrôle en position horizontale peut conduire à une accumulation de liquides et à un choc électrique.
- La tension d'opération de la vanne d'eau du boîtier de contrôle à distance dépasse 50 V (tension très faible). Le boîtier est marqué du symbole suivant, signifiant un danger: ⚡
- N'utilisez pas l'unité pour faire fondre ou conserver de la glace. Le non-respect de cette consigne peut causer de la condensation, créer un danger électrique et causer des blessures corporelles et/ou endommager l'unité. Les dommages causés par la condensation ne sont pas couverts par la garantie.
- Pour les unités sans fonction d'auto-remplissage, éteignez l'unité lorsque vous la remplissez avec de l'eau et essayez d'éviter les projections.
- Ne pas nettoyer l'appareil lorsqu'il est sous tension.
- L'appareil n'est pas résistant aux projections. N'utilisez pas de pulvérisation de jets nettoyants pour nettoyer l'appareil.
- Cette unité doit être entretenue uniquement par des personnes qualifiées. Un entretien réalisé par des personnes non-qualifiées peut entraîner des décharges électriques ou provoquer des brûlures.
- Utilisez uniquement des pièces de rechange d'origine Hatco lorsque l'entretien est nécessaire. Utilisez des pièces détachées Hatco authentiques sous peine d'annuler toutes les garanties et d'exposer l'utilisateur à des tensions électriques dangereuses pouvant entraîner une électrocution ou des brûlures. Les pièces de rechange authentiques Hatco sont spécifiées pour fonctionner en toute sécurité dans les environnements dans lesquels elles sont utilisées. Certaines pièces de rechange génériques ou d'après-vente n'ont pas les caractéristiques qui leur permettent d'opérer en toute sécurité dans les équipements Hatco.

⚠ AVERTISSEMENT

DANGER D'INCENDIE:

- Installez l'unité avec un minimum de 89 mm (3-1/2") d'espace entre le dessous de l'unité et toutes les surfaces inflammables afin d'éviter toute combustion.
- L'unité doit être installée en utilisant un joint mastic en bandes entre l'unité et la surface d'installation, conformément aux instructions d'installation (reportez-vous à la section Installation de ce manuel).
- N'utilisez pas de nettoyant inflammable pour nettoyer cette unité.

L'élément doit être installé par des installateurs formés et qualifiés. L'installation doit être conforme à toutes les normes locales en matière d'électricité et de plomberie. Vérifiez les procédures et les normes à suivre auprès de vos inspecteurs locaux en matière de plomberie et d'électricité.

Cet appareil ne doit pas être utilisé par des enfants ou des personnes avec des capacités physiques, sensorielles ou mentales diminuées. Assurez-vous que les enfants sont bien surveillés et tenez-les à l'écart de l'appareil.

Assurez-vous que tous les opérateurs ont été formés à l'utilisation sûre et correcte de l'appareil.

Assurez-vous que la nourriture a été chauffée à une température sans danger pour les aliments avant de les placer dans l'unité. Le non-respect de cette consigne peut entraîner des risques graves pour la santé. Cette unité n'est destinée qu'à maintenir les aliments préchauffés au chaud.

Hatco Corporation n'est pas responsable de la température réelle à laquelle les aliments sont servis. Il est de la responsabilité de l'utilisateur de s'assurer que la nourriture est conservée et servie à une température sans danger.

Cet appareil ne contient aucune pièce réparable par l'utilisateur. Si cet appareil doit être réparé, contacter un réparateur Hatco agréé ou le Service après-vente Hatco au 800-558-0607 ou 414-671-6350.

⚠ ATTENTION

DANGER DE BRÛLURE :

- Certaines surfaces extérieures de l'appareil deviennent chaudes. Toucher ces zones de l'appareil avec précaution.
- L'eau de vidange peut atteindre des températures allant jusqu'à 93°C (200°F). Utilisez les matériaux de plomberie appropriés lors de l'installation du système de vidange.
- NE nettoyez PAS l'unité tant qu'elle contient des aliments. Retirez les aliments et laissez l'unité refroidir complètement avant de la nettoyer.

Placer l'appareil sur un plan de travail de hauteur correcte à un endroit qui convient pour son utilisation. Le support doit être de niveau pour éviter toute chute accidentelle du grille-pain ou de son contenu et suffisamment solide pour résister au poids de l'appareil et de son contenu.

Les unités avec auto-remplissage doivent être installées avec une protection anti-reflux adaptée et doivent être conformes aux lois nationales en vigueur.

AVIS

Les unités ne fonctionnent qu'à la tension spécifiée. Reportez-vous à l'étiquette des caractéristiques des exigences électriques avant de commencer l'installation.

Les graisses standard et approuvées utilisées lors de la fabrication peuvent provoquer des fumées au cours du démarrage initial pendant 30 minutes. Il s'agit d'un état temporaire. Utilisez l'appareil sans produit alimentaire jusqu'à ce que la fumée disparaisse.

Ne cuisinez pas, ne réchauffez pas et ne conservez pas d'aliments directement dans la cuve. Les aliments doivent être conservés dans un bac.

Ne pas utiliser l'appareil à un endroit exposé à des températures excessives ou de la graisse de grills, friteuses, etc. Les températures excessives risquent d'abîmer l'appareil.

L'unité est conçue et recommandée pour fonctionner encastree ou posée sur une table de travail en métal. La garantie Hatco ne couvre pas les dommages faits à la table de travail. Pour les autres surfaces, vérifiez auprès de leurs fabricants que le matériau peut supporter de façon durable des températures atteignant 93°C (200°F).

AVIS

N'utilisez pas de paille de fer pour le nettoyage. La paille de fer raye les finitions.

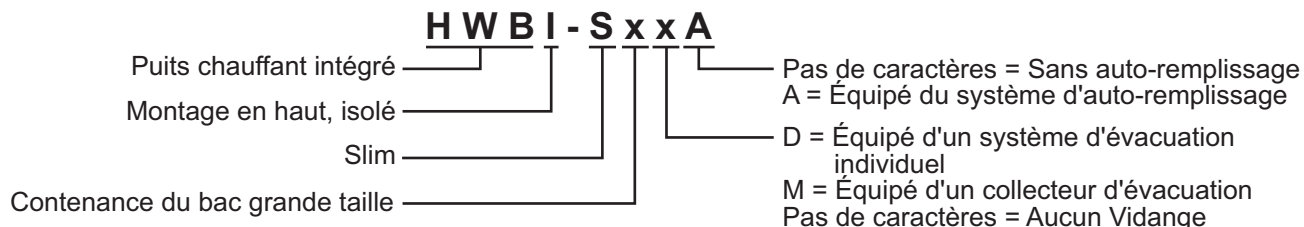
Utiliser seulement des nettoyeurs non abrasifs et des chiffons doux. Les chiffons et nettoyeur abrasifs pourraient érafler la finition de l'unité, entachant son apparence et la rendant susceptible à l'accumulation de saleté.

Ne pas utiliser de produits chimiques puissants tels que de l'eau de Javel (ou des nettoyeurs contenant de l'eau de Javel), des nettoyeurs pour four pour nettoyer cet appareil. Les dommages causés par des produits chimiques ne sont pas couverts par la garantie.

Laissez l'unité refroidir jusqu'à ce qu'elle ait atteint la température ambiante avant de passer d'une utilisation à eau vers une utilisation à sec et vice versa. Laisser l'unité fonctionner « à sec » ou ajouter de l'eau lorsqu'elle est en position « à eau » endommagera l'unité.

Les joints d'étanchéité doivent pouvoir supporter une température de 260°C (500°F) minimum. Les conduites d'arrivée d'eau doivent être conformes aux normes FDA relatives à l'eau potable.

DÉSIGNATION DU MODÈLE



Tous les modèles

Toutes les cuves chauffantes allongées Drop-In sont fiables et polyvalentes. Chaque unité dispose d'un compartiment en acier inoxydable et aluminium accompagné d'un élément de chauffage en métal. L'élément de chauffage est contrôlé par un système de commande de la température thermostatique et un interrupteur I/O (marche/arrêt) situés dans le boîtier de commande à distance. Le boîtier de commande à distance est relié à l'unité via un ensemble de conduit flexible de 1 829 cm (6"). Les cuves chauffantes allongées Drop-In sont branchées directement sur une source d'alimentation pour une zone de service sûre et sans fil.

Tous les modèles sont équipés de matériel de fixation EZ lock et conçus pour être installés sur la partie supérieure d'une table de travail non-combustible. Les cuves chauffantes allongées Drop-In sont conçues, fabriquées et testées pour conserver les aliments à une température sans danger.

Modèles HWBI-S2, -S3, et -S4

Les modèles HWBI peuvent contenir toute une gamme de combinaisons de bacs dans chaque puits chauffant.

- Un bac de grande taille
- Deux bacs de taille moyenne avec des barres d'adaptation
- Trois bacs de petite taille avec des barres d'adaptation
- Six bacs de très petite taille (1/6) avec des barres d'adaptation
- Deux bacs ronds 7 litres (7 quarts) avec un ustensile adaptable.
- Trois bacs ronds 4 litres (4 quarts) avec un ustensile adaptable.

Les bacs alimentaires, barres de support de bacs et les ustensiles adaptables sont vendus séparément (consultez la section OPTIONS ET ACCESSOIRES pour de plus amples détails).

Modèles HWBI-S2D, -S3D, et -S4D

Les modèles HWBI-SXD ont les mêmes capacités que les modèles HWBI-SX, mais tous les puits disposent d'une valve d'évacuation séparée. Les valves d'écoulement comprennent un raccord de vidange NPT de 3/4" et une crépine plate qui permettent aux bacs de rester à des températures constantes.

Modèles HWBI-S2DA, -S3DA, et -S4DA

Les modèles HWBI-SXDA ont les mêmes capacités que les modèles HWBI-SXD, mais ils sont dotés de la fonction d'auto-remplissage.

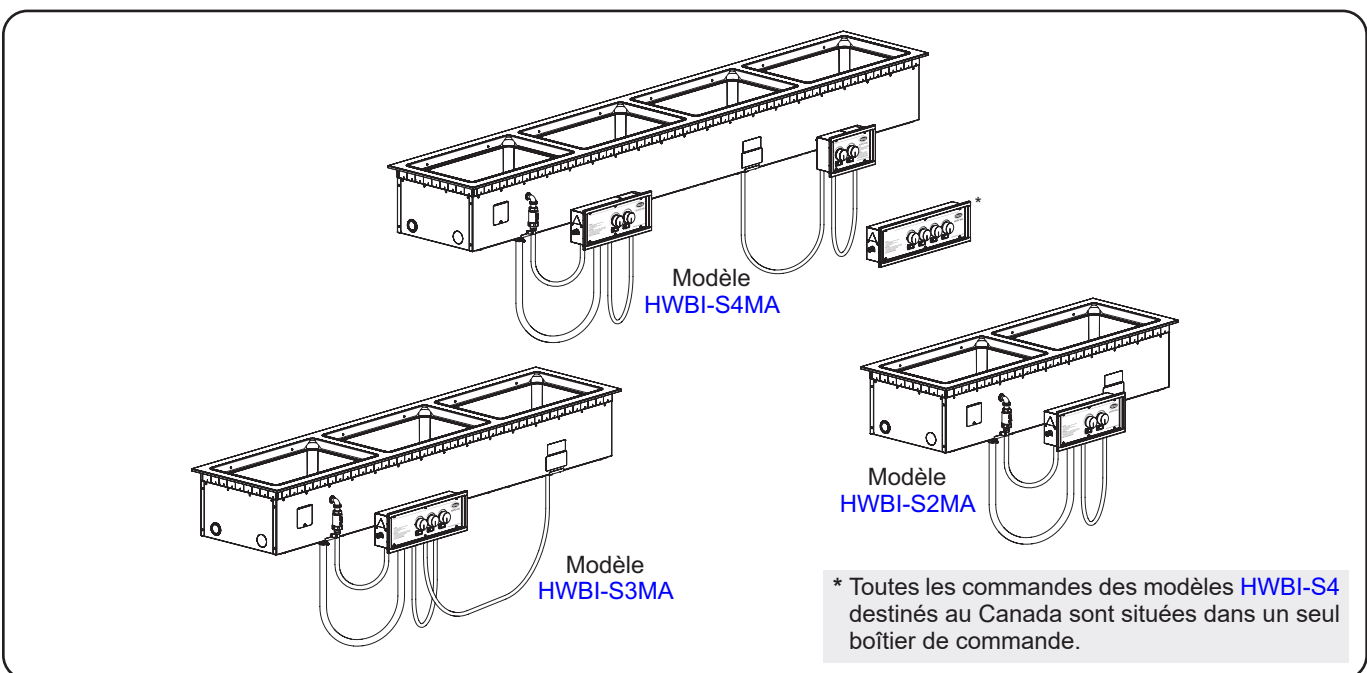
Modèles HWBI-S2M, -S3M, et -S4M

Les modèles HWBI-SXM ont les mêmes capacités que les modèles HWBI-SX, mais ils sont dotés d'un ensemble de collecteur d'évacuation. L'ensemble de collecteur d'évacuation est équipé d'un raccord de vidange NPT de 2,54 cm (1"). Les raccords de vidange peuvent être situés à chaque extrémité de l'unité ou au fond de la cuve d'extrémité. Chaque puits relié à l'ensemble de collecteur d'évacuation comprend une crépine plate qui permet aux bacs de rester à des températures constantes.

Modèles HWBI-S2MA, -S3MA, and -S4MA

Les modèles HWBI-SXMA ont les mêmes capacités que les modèles HWBI-SXM, mais ils sont dotés de la fonction d'auto-remplissage.

NOTA: Toutes les commandes des modèles HWBI-S4 destinés au Canada sont situées dans un seul boîtier de commande.



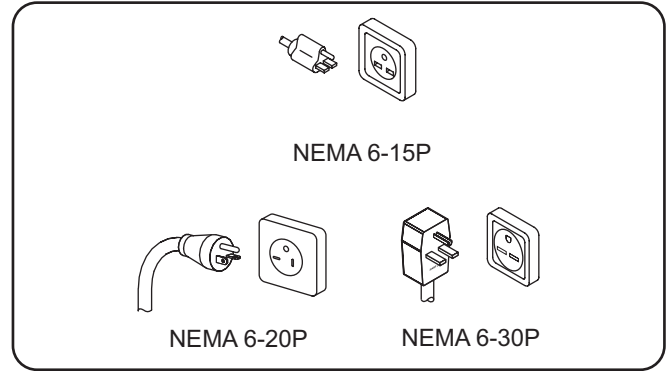
Configuration des fiches

Certains appareils sont fournis par l'usine avec un câble et une prise électriques préinstallés qui sont disponibles en option. Les fiches fournies correspondent à leur application. Pour plus de détails, consultez la section OPTIONS ET ACCESSOIRES.

⚠ AVERTISSEMENT

DANGER DE DÉCHARGE ÉLECTRIQUE : Brancher l'appareil sur une prise de courant avec terre de tension, de format et de configuration des broches corrects. Si la fiche et la prise ne se correspondent pas, s'adresser à un électricien qualifié pour déterminer et installer une prise de courant de format et de tension corrects.

NOTA: Étiquette de caractéristiques techniques située sur le côté de l'unité. Consultez l'étiquette pour connaître le numéro de série et vérifier les caractéristiques électriques de l'appareil.



Configuration des fiches

NOTA: La prise murale n'est pas fournie par Hatco.

Tableau des valeurs nominales électriques

Modèle	Tension	Circuit	Intensité	Amps	Phase	Configuration de Fiches *	Poids d'embarquement ‡
HWBI-S2	208	1	2415	11.6	1	NEMA 6-15P	38 kg (84 lbs.)
	208	1	2415	10.1	3	N/A	
	240	1	2415	10.1	1	NEMA 6-15P	
	240	1	2415	8.7	3	N/A	
	220–230	1	2415–2640	11.0–11.5	1	N/A	
	230–240	1	2218–2415	9.6–10.1		N/A	
HWBI-S3	208	1	3615	17.4	1	NEMA 6-30P	54 kg (118 lbs.)
	208	1	3615	10.1	3	N/A	
	240	1	3615	15.1	1	NEMA 6-20P	
	240	1	3615	8.8	3	N/A	
	220–230	1	3615–3951	16.4–17.2	1	N/A	
	230–240	1	3320–3615	14.4–15.1		N/A	
HWBI-S4	208 †	1	2415	11.6	1	N/A	71 kg (155 lbs.)
		2	2400	11.5			
	208	1	4815	23.2	1	NEMA 6-30P	
	208	1	4815	15.8	3	N/A	
	240 †	1	2415	10.1	1	N/A	
		2	2400	10.0			
	240	1	4815	20.1	1	NEMA 6-30P	
	240	1	4815	13.7	3	N/A	
	220–230	1	4815–5262	21.9–22.9	1	N/A	
230–240	1	4422–4815	19.2–20.1	N/A			

* Les bouchons sont optionnels.

‡ Ajoutez 1,4 kg (3 lb) pour les modèles « D » et « DA ».

† Unité avec plusieurs connexions de circuit. Chaque circuit nécessite son propre disjoncteur.

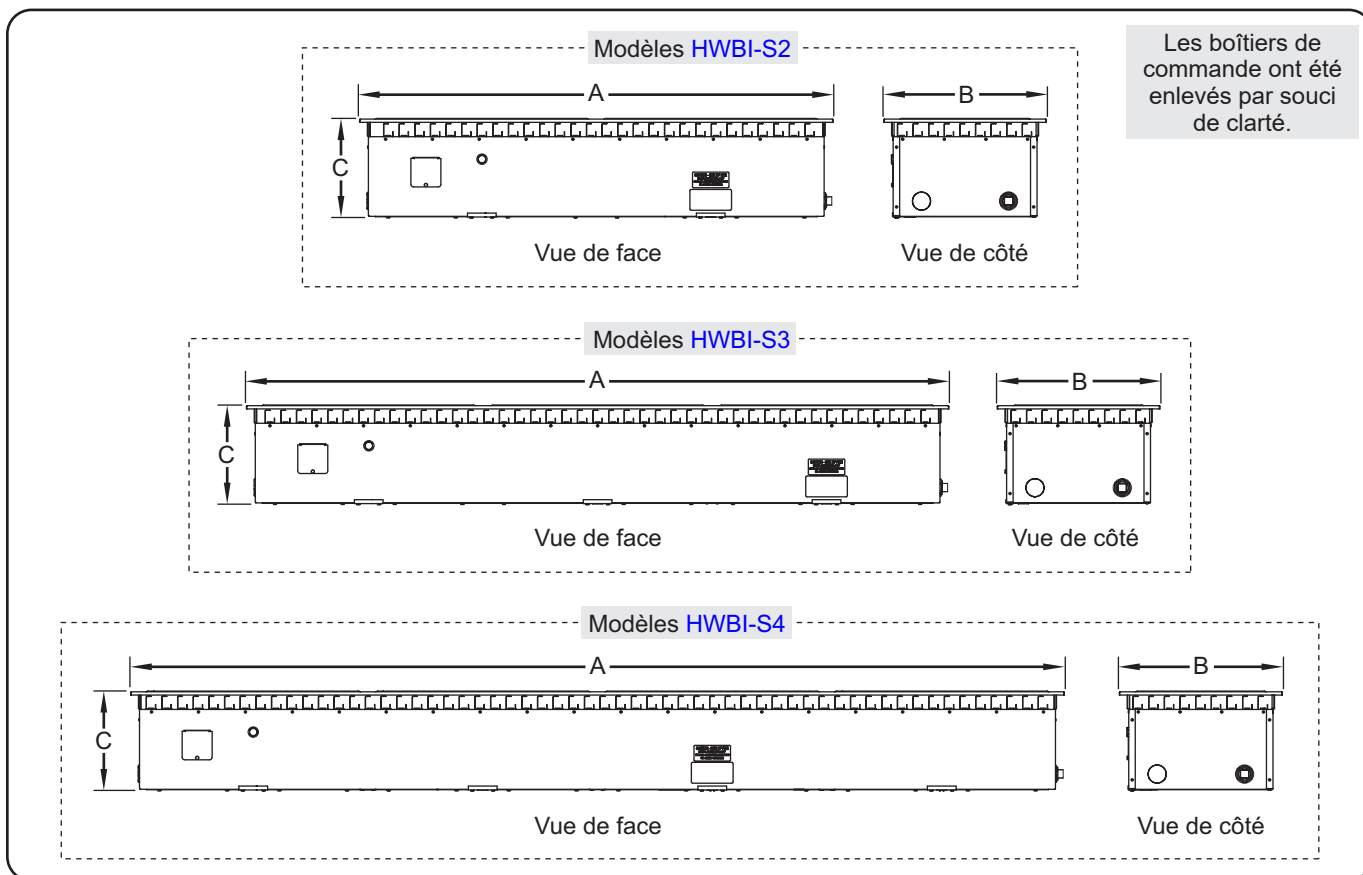
NOTA: Le poids d'expédition comprend le matériel d'emballage.

Les zones grisées contiennent les informations électriques pour **les modèles internationaux uniquement.**

Dimensions

Modèle	Largeur (A)	Profondeur (B)	Hauteur (C)
HWBI-S2	1156 mm (45-1/2")	397 mm (15-5/8")	238 mm (9-7/16")
HWBI-S3	1715 mm (67-1/2")	397 mm (15-5/8")	238 mm (9-7/16")
HWBI-S4	2273 mm (89-1/2")	397 mm (15-5/8")	238 mm (9-7/16")

NOTA: Les étiquettes de caractéristiques techniques sont situées sur le côté de l'unité et sur le fond du boîtier de commande.



Caractéristiques de l'approvisionnement en eau (unités d'auto-remplissage)

	Minimum	Maximum
Pression de l'eau	172 kPa (25 psi)	689 kPa (100 psi)
Température de l'eau	15°C (60°F)	38°C (100°F)

Généralités

Les cuves chauffantes allongées Drop-In sont initialement fournies par l'usine avec la plupart des composants assemblés et prêts à l'emploi. Utilisez les procédures suivantes pour l'installation de l'appareil.

NOTA : pour tous les cuves chauffantes allongées Drop-In, le boîtier de commande doit être installé pour pouvoir fonctionner à distance.

⚠ AVERTISSEMENT

L'appareil n'est pas à l'épreuve des intempéries. Placer l'appareil à l'intérieur à une température ambiante de 21°C minimum.

DANGER D'INCENDIE:

- Installez l'unité avec un minimum de 89 mm (3-1/2") d'espace entre le dessous de l'unité et toutes les surfaces inflammables afin d'éviter toute combustion.
- L'unité doit être installée en utilisant un joint mastic en bandes entre l'unité et la surface d'installation, conformément aux instructions d'installation (reportez-vous à la section Installation de ce manuel).

L'élément doit être installé par des installateurs formés et qualifiés. L'installation doit être conforme à toutes les normes locales en matière d'électricité et de plomberie. Vérifiez les procédures et les normes à suivre auprès de vos inspecteurs locaux en matière de plomberie et d'électricité.

⚠ ATTENTION

Placer l'appareil sur un plan de travail de hauteur correcte à un endroit qui convient pour son utilisation. Le support doit être de niveau pour éviter toute chute accidentelle du grille-pain ou de son contenu et suffisamment solide pour résister au poids de l'appareil et de son contenu.

AVIS

Ne pas utiliser l'appareil à un endroit exposé à des températures excessives ou de la graisse de grills, friteuses, etc. Les températures excessives risquent d'abîmer l'appareil.

L'unité est conçue et recommandée pour fonctionner encadrée ou posée sur une table de travail en métal. La garantie Hatco ne couvre pas les dommages faits à la table de travail. Pour les autres surfaces, vérifiez auprès de leurs fabricants que le matériau peut supporter de façon durable des températures atteignant 93 °C (200 °F).

1. Retirez l'appareil du carton de livraison et retirez tous les éléments d'emballage

NOTA : Pour éviter des retards dans l'obtention de la couverture de la garantie, complétez l'enregistrement en ligne de votre garantie. Lisez la section INFORMATIONS IMPORTANTES POUR LE PROPRIÉTAIRE pour plus de détails.

2. Retirez le ruban et l'emballage de protection de toutes les surfaces de l'appareil.

NOTA: Faites appel à un électricien qualifié pour brancher les unités à une source d'alimentation. Faites appel à un plombier qualifié pour relier les orifices de vidange à l'arrivée d'eau.

3. Installez l'unité à l'emplacement souhaité. Suivez la procédure adaptée selon l'installation choisie.

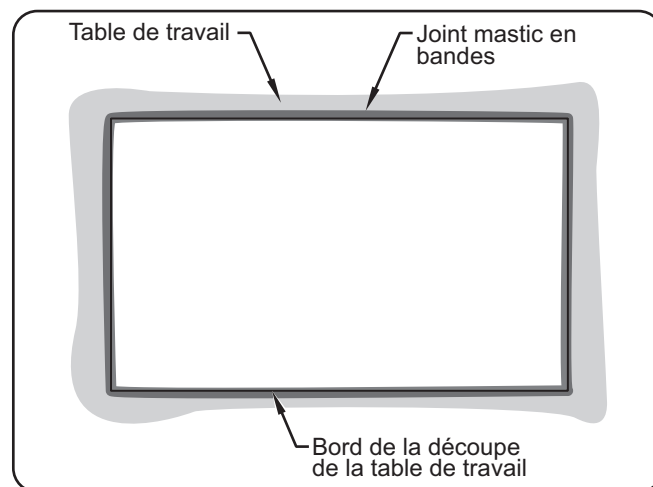
4. Installez le boîtier de commande à distance (consultez la procédure « Installation d'un boîtier de commande à distance » plus loin dans cette section).

Système de montage avec visserie EZ lock

NOTA: Découpez l'ouverture de l'unité et du boîtier de commande avant de placer l'unité dans l'ouverture faite dans la table de travail.

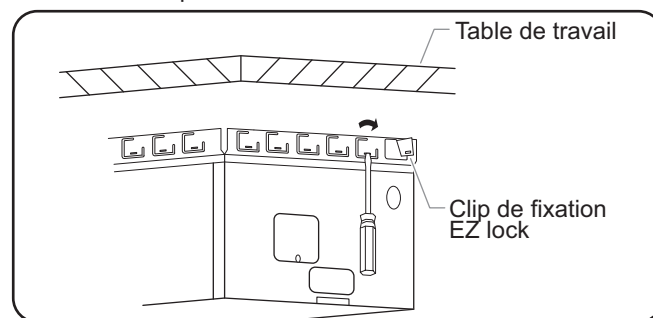
1. Assurez-vous que le(s) emplacement(s) d'installation du boîtier de commande se trouve(nt) à portée des ensembles de conduits qui passent entre l'unité et le(s) boîtier(s) de commande.x
2. Découpez l'ouverture appropriée dans la table de travail. Consultez le tableau « Découpe de la table de travail » ci-dessous.
3. Découpez l'ouverture appropriée pour le(s) boîtier(s) de commande Consultez le tableau « Dimensions pour la découpe du boîtier de commande » plus loin dans cette section.
4. Placez le joint mastic en bandes sur la bordure de la découpe de la table de travail. Veillez à ce que le joint mastic en bandes dépasse de la bordure de la découpe ou scellez l'unité avec un adhésif à base de silicone.

NOTA: Un rouleau de joint mastic en bandes est fourni avec l'unité.



Installation du joint mastic en bandes

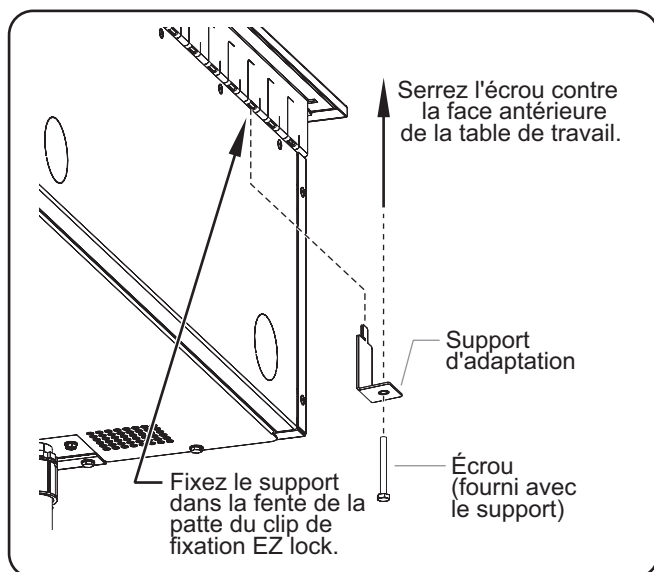
5. Placez l'appareil dans l'ouverture de la table de travail.
6. À l'aide d'un tournevis, tournez le clip de fixation EZ lock de l'unité vers l'extérieur pour fixer l'unité en-dessous de la table de travail. Faites tourner autant de pattes que nécessaire pour fixer l'unité à la table de travail.



Clips de fixation EZ lock

continué...

NOTA: Les clips de fixation EZ lock d'Hatco fonctionnent sur des tables de travail dont l'épaisseur maximale est de 5 mm (3/16"). Pour les comptoirs de 5-51 mm (3/16-2") d'épaisseur, utilisez un nombre approprié de supports d'adaptation pour comptoir épais accessoires (réf. R04.42.194.00).



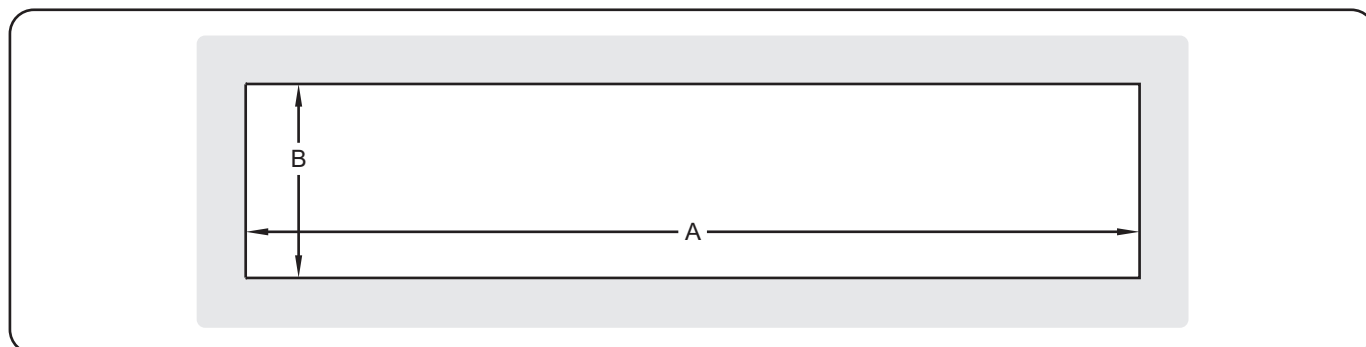
Support d'adaptation pour tables de travail épaisses

- Coupez soigneusement et retirez l'excès de joint mastic en bandes des bords de l'unité.
- Installez le(s) boîtier(s) de commande. Consultez la procédure « Installation du boîtier de commande à distance » de cette section.

NOTA: L'espace minimal nécessaire sous la découpe de la table de travail est de 333 mm (13-1/8") pour une installation sur des surfaces combustibles et de 279 mm (11") pour les surfaces non combustibles. Prévoyez un espace suffisamment large pour les unités équipées d'un orifice de vidange.

Tableau des découpes dans la table de travail

Modèle	Largeur d'ouverture (A)	Profondeur d'ouverture (B)
HWBI-S2	1120-1127 mm (44-1/8" - 44-3/8")	362-368 mm (14-1/4" - 14-1/2")
HWBI-S3	1680-1686 mm (66-1/8" - 66-3/8")	362-368 mm (14-1/4" - 14-1/2")
HWBI-S4	2238-2245 mm (88-1/8" - 88-3/8")	362-368 mm (14-1/4" - 14-1/2")



Installation d'un boîtier de commande à distance

⚠ AVERTISSEMENT

RISQUE D'ÉLECTROCUTION :

- Le boîtier de commandes à distance doit être installé en position verticale sur un mur vertical. L'installation sur une surface horizontale entraîne un risque d'accumulation de liquide et d'électrocution.
- La tension d'opération de la vanne d'eau du boîtier de contrôle à distance dépasse 50 V (tension très faible). Le boîtier est marqué du symbole suivant, signifiant un danger : ⚡

NOTA: Faites appel à un électricien qualifié pour brancher les appareils à une source d'alimentation. Faites appel à un plombier qualifié pour relier les orifices de vidange à l'arrivée d'eau.

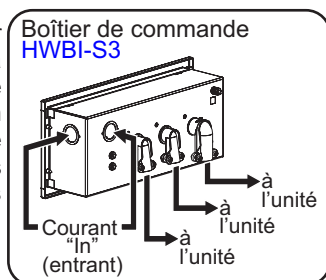
NOTA: Reportez-vous à la section Installation d'une unité d'auto-remplissage avant d'installer un boîtier de commande à distance.

- Coupez et percez les trous appropriés dans la surface de fixation. Consultez le graphique « Dimensions pour la découpe du boîtier de commande » pour obtenir les dimensions de découpe de chaque boîtier de commande.
 - La profondeur de découpe nécessaire à tous les boîtiers de commande est de 127 mm (5").
 - Assurez-vous d'avoir assez d'espace à l'intérieur de la découpe si vous devez installer un conduit sur le côté du boîtier de commande.
 - Pour les appareils avec deux boîtiers de commande : Si l'unité est dotée de la fonction d'auto-remplissage, la taille de découpe sera différente pour chaque boîtier (voir tableau).

NOTA IMPORTANTE :

Installez le boîtier de commande sur la partie avant de l'unité pour vous assurer que les commandes correspondent bien aux cuves concernées. La partie avant de l'unité est le côté par lequel le(s) conduit(s) entre(nt) sous l'unité.

2. Retirez le couvercle à découper du boîtier de commande.
3. Installez le boîtier de commandes dans l'ouverture prévue à cet effet, en le faisant passer par l'arrière.
4. Fixez le boîtier de commandes sur la surface de fixation à l'aide de vis (vis à tôle n° 8 fournies).
5. Branchez le boîtier de commandes à distance intégré à une source d'alimentation appropriée. Le câblage doit être installé au moins 102 mm (4") en dessous de la cuve.



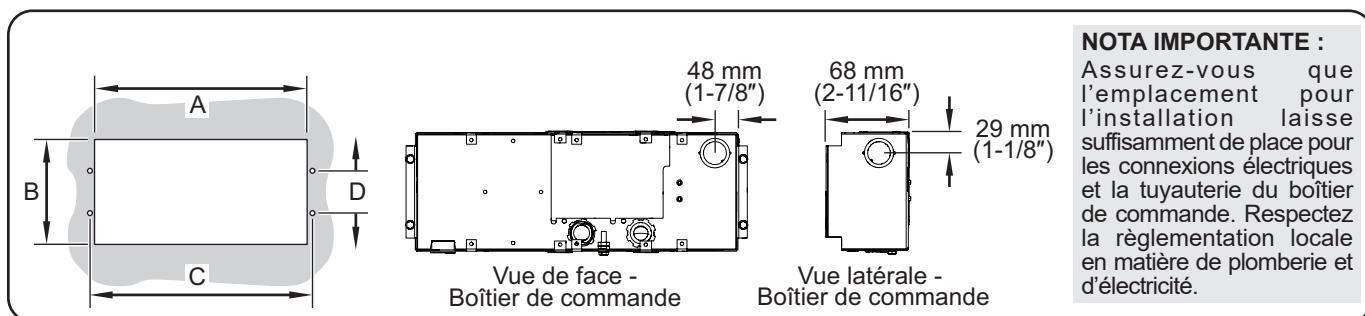
6. Si votre unité en est équipée, branchez l'approvisionnement en eau au système d'auto-remplissage en option. Consultez la procédure « Auto-remplissage latéral » ou « Auto-remplissage monté sur orifice de vidange » de la section OPTIONS ET ACCESSOIRES.
7. Réinstallez le couvercle. Scellez le couvercle sur la surface de montage à l'aide d'un adhésif silicone

NOTA: Les appareils standards et approuvés par l'UL sont équipés d'un conduit flexible de 1 829 mm (72") branché au boîtier de commandes à distance.

Dimensions pour la découpe du boîtier de commande

Model and Enclosure	Dimensions de l'ouverture		Dimensions du pas de vis	
	(A)	(B)	(C)	(D)
HWBI-S2 Commande sans auto-remplissage Commande avec auto-remplissage	203 mm (8") 314 mm (12-3/8")	121 mm (4-3/4") 121 mm (4-3/4")	211 mm (8-5/16") 321 mm (12-11/16")	64 mm (2-1/2") 64 mm (2-1/2")
HWBI-S3 Commande sans auto-remplissage Commande avec auto-remplissage	10-1/4" (260 mm) 14-5/8" (371 mm)	121 mm (4-3/4") 121 mm (4-3/4")	268 mm (10-9/16") 379 mm (14-15/16")	64 mm (2-1/2") 64 mm (2-1/2")
HWBI-S4 Commande gauche sans auto-remplissage Commande gauche avec auto-remplissage Commande droite	203 mm (8") 314 mm (12-3/8") 203 mm (8")	121 mm (4-3/4") 121 mm (4-3/4") 121 mm (4-3/4")	211 mm (8-5/16") 321 mm (12-11/16") 211 mm (8-5/16")	64 mm (2-1/2") 64 mm (2-1/2") 64 mm (2-1/2")
Boîtier simple sans auto-remplissage *	318 mm (12-1/2")	121 mm (4-3/4")	324 mm (12-13/16")	64 mm (2-1/2")
Boîtier simple avec auto-remplissage* *	429 mm (16-7/8")	121 mm (4-3/4")	436 mm (17-3/16")	64 mm (2-1/2")

* Unités des séries **HWBI-S4** avec toutes les commandes dans un seul boîtier de commande. Pour les unités à destination du Canada.



NOTA IMPORTANTE :
Assurez-vous que l'emplacement pour l'installation laisse suffisamment de place pour les connexions électriques et la tuyauterie du boîtier de commande. Respectez la réglementation locale en matière de plomberie et d'électricité.

Dimensions de la découpe du boîtier de commande

Branchement d'un tuyau de vidange

Après avoir installé une unité équipée d'un orifice de vidange ou d'un collecteur dans la table de travail, suivez la procédure suivante pour connecter l'unité au tuyau de vidange disponible sur place. Consultez la section OPTIONS ET ACCESSOIRES pour plus d'informations concernant le collecteur d'évacuation avec valve.



RISQUE DE BRÛLURES : L'eau de vidange peut atteindre des températures allant jusqu'à 93 °C (200 °F). Utilisez les matériaux de plomberie appropriés lors de l'installation du système de vidange.

NOTA: Consultez un entrepreneur en plomberie agréé pour que l'installation du système de vidange soit conforme aux normes de plomberie locales.

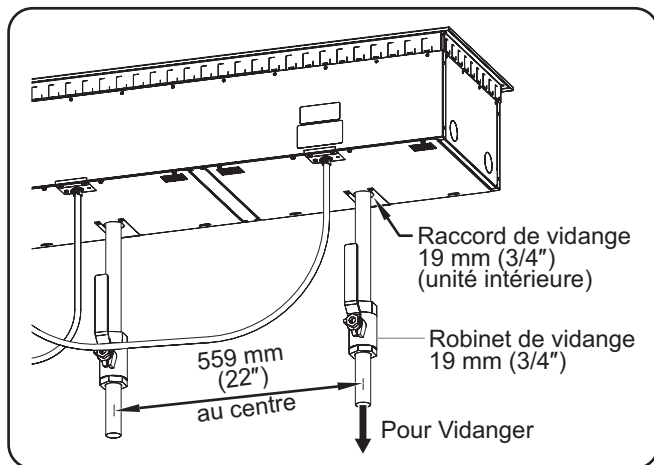
NOTA: En cas de besoin, un intervalle d'air approuvé ou un dispositif de prévention anti-retour doit être installé par un plombier agréé.

Unités avec orifice de vidange individuel

1. Connectez le conduit de vidange (non fourni) du raccord de vidange NPT de 19 mm (3/4") situé sur le dessous du puits au robinet de vidange de 19 mm (3/4") (non fournie mais disponible parmi les accessoires d'Hatco ; consultez la section OPTIONS ET ACCESSOIRES).

NOTA: Le robinet de vidange doit être installé dans un endroit facile d'accès pour la personne en charge.

2. Connectez le robinet de vidange au tuyau d'évacuation (non fourni par Hatco) disponible sur place.



Connexion de la vidange

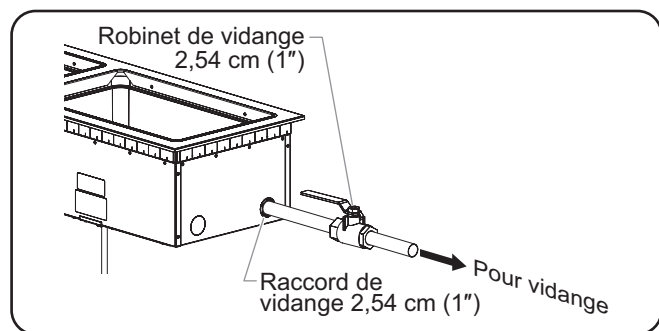
Unités avec collecteur d'évacuation

1. Connectez le conduit d'évacuation (non fourni) du raccord de vidange NPT de 25 mm (1") au robinet de vidange de 25 mm (1") (non fournie mais disponible parmi les accessoires d'Hatco ; consultez la section OPTIONS ET ACCESSOIRES).

- Orifice de vidange latéral/d'extrémité : orifice de vidange situé à chaque extrémité de l'unité.
- Orifice de vidange inférieur : orifice de vidange situé sur la partie inférieure de chaque extrémité de l'unité.

NOTA: Le robinet de vidange doit être installé dans un endroit facile d'accès pour la personne en charge.

2. Connectez le robinet de vidange au tuyau d'évacuation (non fourni par Hatco) disponible sur place.
3. Installez un bouchon NPT de 2,54 cm (1") dans le raccord de vidange non utilisé.



Connexion du collecteur d'évacuation

Généralités

Veillez suivre les procédures suivantes pour faire fonctionner des cuves chauffantes allongées Drop-In.

⚠ AVERTISSEMENT

Lire tous les messages de sécurité de la section Consignes de sécurité importantes avant d'utiliser ce matériel.

DANGER DE DÉCHARGE ÉLECTRIQUE:

- N'utilisez pas l'unité pour faire fondre ou conserver de la glace. Le non-respect de cette consigne peut causer de la condensation, créer un danger électrique et causer des blessures corporelles et/ou endommager l'unité. Les dommages causés par la condensation ne sont pas couverts par la garantie.
- Pour les unités sans fonction d'auto-remplissage, éteignez l'unité lorsque vous la remplissez avec de l'eau et essayez d'éviter les projections.

AVIS

Les graisses standard et approuvées utilisées lors de la fabrication peuvent provoquer des fumées au cours du démarrage initial pendant 30 minutes. Il s'agit d'un état temporaire. Utilisez l'appareil sans produit alimentaire jusqu'à ce que la fumée disparaisse.

Laissez l'unité refroidir jusqu'à ce qu'elle ait atteint la température ambiante avant de passer d'une utilisation à eau vers une utilisation à sec et vice versa. Laissez l'unité fonctionner « à sec » ou ajouter de l'eau lorsqu'elle est en position « à eau » endommagera l'unité.

Les cuves chauffantes allongées Drop-Inxxxxx Hatco sont conçues pour un fonctionnement À EAU ou À SEC. Hatco recommande un fonctionnement « à eau » pour un chauffage constant des aliments. Si l'unité fonctionne en mode « à eau » mais qu'elle peut également passer en mode « à sec », éteignez-la et laissez-la refroidir avant d'y ajouter de l'eau.

Démarrage

1. Préparez le fonctionnement du puits chauffant.
 - Si vous utilisez les puits à sec, assurez-vous qu'ils sont propres et secs.
 - Si vous utilisez le puits en mode « à eau » et sans l'auto-remplissage, assurez-vous que le robinet de vidange est fermé (si l'unité en est équipée) et remplissez le puits manuellement avec de l'eau chaude du robinet jusqu'à ce que le puits soit rempli avec 32 mm (1-1/4") d'eau maximum.
 - Si l'unité est équipée de l'option d'auto-remplissage, assurez-vous que le robinet de vidange est fermé.

2. Placez l'interrupteur I/O (marche/arrêt) sur I (marche). Le témoin lumineux de l'interrupteur s'allume lorsque l'unité est en marche.
 - Si l'unité est équipée de l'option d'auto-remplissage, l'interrupteur I/O (marche/arrêt) de gauche lancera le système d'auto-remplissage lorsqu'il sera placé sur I (marche). Les puits se rempliront d'eau jusqu'à ce que l'eau atteigne le capteur de niveau d'eau dans le puits le plus à gauche. Au cours du fonctionnement, le système d'auto-remplissage maintiendra automatiquement le niveau de l'eau grâce au capteur de niveau d'eau.

NOTA: Pour les unités **HWBI-S4** équipées de la fonction d'auto-remplissage, tou rnez d'abord la commande gauche, puis la commande droite.

3. Tournez les boutons de contrôle de la température jusqu'à la température désirée.

⚠ AVERTISSEMENT

Hatco Corporation n'est pas responsable de la température réelle à laquelle les aliments sont servis. Il est de la responsabilité de l'utilisateur de s'assurer que la nourriture est conservée et servie à une température sans danger.

4. Laissez les puits chauffant préchauffer pendant environ 30 minutes.

⚠ ATTENTION

DANGER DE BRÛLURE : Certaines surfaces extérieures de l'appareil deviennent chaudes. Toucher ces zones de l'appareil avec précaution.

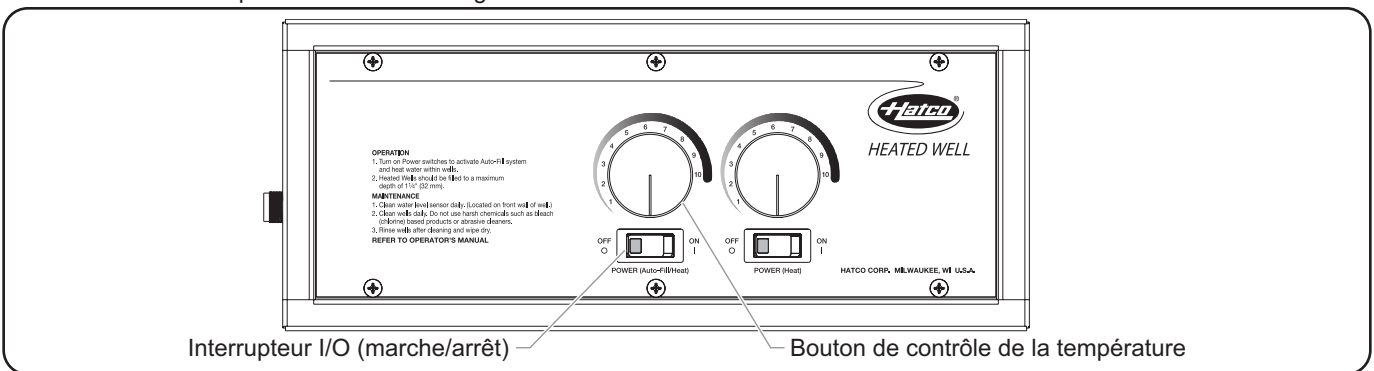
Chauffage des aliments

Placez les bacs alimentaires contenant les aliments préchauffés dans les puits chauffants correspondant.

- Utilisez toujours un bac alimentaire. Ne placez pas les aliments directement dans la partie chauffante.
- Remuez fréquemment les aliments plus consistants afin de répartir la chaleur de manière uniforme.
- Gardez le couvercle sur les bacs afin de conserver la qualité et la température des aliments.

Arrêt

1. Placez l'interrupteur I/O (marche/arrêt) sur O (arrêt). Le témoin lumineux de l'interrupteur s'éteindra ; si votre unité est équipée de l'auto-remplissage, ce dernier sera désactivé.



Boîtier de commande **HWBI-S2DA** (unité avec orifice de vidange et fonction d'auto-remplissage)

Généralités

Les cuves chauffantes allongées Drop-In Hatco sont conçues pour une durabilité et des performances maximales avec un minimum d'entretien.

⚠ AVERTISSEMENT

DANGER DE DÉCHARGE ÉLECTRIQUE :

- Placez l'interrupteur sur Arrêt, débranchez le cordon d'alimentation/arrêtez le courant au disjoncteur et laissez l'unité refroidir avant d'effectuer la moindre opération de maintenance ou de nettoyage.
- **NE PAS immerger l'appareil ni le saturer d'eau. L'appareil n'est pas étanche à l'eau. Ne pas le faire fonctionner s'il a été immergé ou saturé d'eau.**
- Ne pas nettoyer l'appareil lorsqu'il est sous tension.
- L'appareil n'est pas résistant aux projections. N'utilisez pas de pulvérisation de jets nettoyants pour nettoyer l'appareil.

DANGER D'INCENDIE: Ne pas utiliser des solutions nettoyantes inflammables pour nettoyer cet appareil.

Cet appareil ne contient aucune pièce réparable par l'utilisateur. Si cet appareil doit être réparé, contacter un réparateur Hatco agréé ou le Service après-vente Hatco au +1 800-558-0607 ou +1 414-671-6350.

AVIS

N'utilisez pas de paille de fer pour le nettoyage. La paille de fer raye les finitions.

Utiliser seulement des nettoyants non abrasifs et des chiffons doux. Les chiffons et nettoyant abrasifs pourraient érafler la finition de l'unité, entachant son apparence et la rendant susceptible à l'accumulation de saleté.

Ne pas utiliser de produits chimiques puissants tels que de l'eau de Javel (ou des nettoyants contenant de l'eau de Javel), des nettoyants pour four pour nettoyer cet appareil.

Nettoyage quotidien

Pour préserver les finitions des puits, suivez quotidiennement les procédures de nettoyage suivantes.

1. Placez l'interrupteur I/O (marche/arrêt) sur **O** (arrêt) et laissez l'unité refroidir.
2. Retirez et lavez tous les bacs et tous les adaptateurs.
3. Ouvrez le robinet de vidange (si présent) ou évacuez manuellement l'eau des puits si vous utilisez le fonctionnement à eau.
4. Essayez l'intégralité de l'unité à l'aide d'un chiffon ou d'une éponge propre et d'un détergent doux.
5. Servez-vous d'une éponge à récurer en plastique pour retirer toute particule solide de nourriture ou dépôt de minéraux.
6. Rincez abondamment le(s) puits avec de l'eau chaude et retirez tout résidu de détergent.
7. Essayez l'intégralité de l'unité en utilisant un chiffon doux et sec.

Retrait des dépôts de chaux et de minéraux

Suivez la procédure suivante dès que vous détectez des dépôts de chaux ou de minéraux sur les parois des puits chauffants.

1. Placez l'interrupteur I/O (marche/arrêt) sur **O** (arrêt) et laissez l'unité refroidir.
2. Retirez et lavez tous les bacs et tous les adaptateurs.
3. Ouvrez le robinet de vidange (si présent) ou évacuez manuellement l'eau des puits si vous utilisez le fonctionnement à eau.
4. Fermez le(s) robinet(s) de vidange.
5. Remplissez le réservoir d'eau avec un mélange de 50% d'eau et de 50% de vinaigre blanc. N'utilisez pas de vinaigre parfumé.
6. Placez l'interrupteur I/O Interrupteurs d'alimentation I/O (marche/arrêt) sur **I** (marche) et chauffez la solution à la température maximale de 88°C (190°F).
7. Placez l'interrupteur I/O (marche/arrêt) sur **O** (arrêt) et couvrez le puits.
8. Laissez la solution agir pendant au moins une heure, voire toute une nuit pour les accumulations importantes.
9. Vidangez ou évacuez le mélange nettoyant des puits.
10. Frottez le puits avec une éponge à récurer en plastique.
11. Rincez abondamment le puits avec de l'eau chaude.
12. Essayez l'intégralité de l'unité en utilisant un chiffon doux et sec.

NOTA: Une accumulation importante de calcaire peut nécessiter des traitements supplémentaires.

⚠ AVERTISSEMENT

La réparation de cet appareil doit être confiée exclusivement à du personnel qualifié. Les réparations par des personnes non qualifiées peuvent provoquer des décharges électriques et des brûlures.

⚠ AVERTISSEMENT

DANGER DE DÉCHARGE ÉLECTRIQUE: Placez l'interrupteur sur Arrêt, débranchez le cordon d'alimentation/arrêtez le courant au disjoncteur et laissez l'unité refroidir avant d'effectuer la moindre opération de maintenance ou de nettoyage.

Symptômes	Causes Probables	Action Correctrice
Le puits n'est pas suffisamment chaud.	Thermostat réglé trop bas.	Montez le thermostat.
	Les éléments chauffants ne fonctionnent pas.	Contactez votre agent de maintenance agréé ou Hatco pour toute demande d'assistance.
	Le thermostat ne fonctionne pas correctement.	Contactez votre agent de maintenance agréé ou Hatco pour toute demande d'assistance.
	La puissance fournie est incorrecte.	Vérifiez qu'une puissance appropriée est fournie à l'unité. Une puissance trop faible cause un chauffage inapproprié.
Le puits est trop chaud.	Thermostat réglé trop haut.	Baissez le thermostat.
	Le thermostat ne fonctionne pas correctement.	Contactez votre agent de maintenance agréé ou Hatco pour toute demande d'assistance.
	La puissance fournie est incorrecte.	Vérifiez qu'une puissance appropriée est fournie à l'unité. Une puissance trop forte entraînera à une surchauffe et peut endommager l'unité.
Pas de chaleur.	Alimentation coupée.	Placez l'interrupteur I/O (marche/arrêt) sur la position I (marche).
	Le coupe-circuit a disjoncté.	Réinitialisez le disjoncteur. Si le coupe-circuit continue de disjoncter, contactez un agent de service agréé ou Hatco pour obtenir une assistance.
	Le thermostat ne fonctionne pas correctement.	Contactez votre agent de maintenance agréé ou Hatco pour toute demande d'assistance.
	Les éléments chauffants ne fonctionnent pas.	Contactez votre agent de maintenance agréé ou Hatco pour toute demande d'assistance.
Le système d'auto-remplissage ne fonctionne pas.	Le capteur de niveau d'eau est sale ou ne « capte » pas correctement.	Suivez la procédure « Nettoyage » de la section Maintenance et consultez particulièrement le point concernant le capteur du niveau d'eau.
	L'eau n'arrive pas jusqu'au robinet de remplissage.	Vérifiez que l'arrivée d'eau est installée correctement.
	La cuve gauche est hors tension.	Ouvrez la cuve gauche pour permettre au système d'auto-remplissage de fonctionner correctement.
	Le robinet de remplissage de l'eau ne fonctionne pas correctement.	Contactez votre agent de maintenance agréé ou Hatco pour toute demande d'assistance.
Les aliments ne sont pas conservés à une température suffisante.	Le puits fonctionne en mode « à sec ».	Laissez l'unité refroidir et remplissez-la avec la quantité d'eau appropriée pour un fonctionnement en mode « à eau ». Un fonctionnement avec de l'eau favorise une chaleur constante pour la conservation des aliments.
Les boutons de contrôle de la température chauffent le mauvais puits.	Le boîtier de commande n'est pas installé correctement.	Installez le boîtier de commande sur la partie avant de l'unité. Contactez votre agent de maintenance agréé ou Hatco pour toute demande d'assistance.

Vous avez des questions en ce qui concerne les pannes?

Si le problème persiste, veuillez contacter l'agence d'entretien agréée Hatco la plus proche ou Hatco pour obtenir une assistance. Pour trouver l'agence d'entretien la plus proche, rendez-vous sur le site Internet de Hatco (www.hatcocorp.com) et sélectionnez le menu déroulant *Support (Assistance)*, puis cliquez sur « Find A Service Agent » (trouver un agent d'entretien); ou contactez l'équipe d'entretien et de pièces détachées de Hatco :

Numéro de téléphone: +1 800-558-0607 or +1 414-671-6350

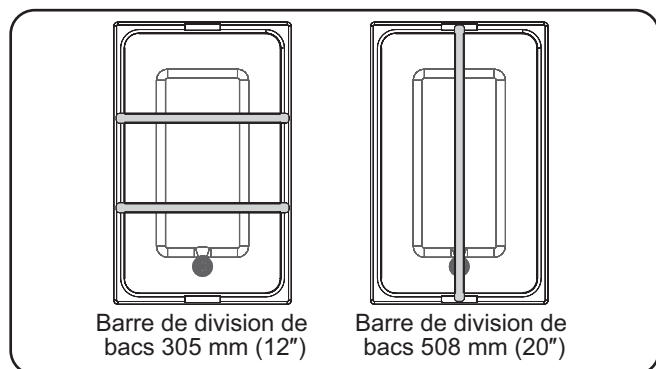
Courriel: support@hatcocorp.com

Barres de division de bacs

Les barres de division de bacs suivantes sont disponibles pour diviser un puits chauffant en sections et s'adaptent sur des bacs de tailles différentes.

HWB12BARBarre de division de bacs 305 mm (12")

HWB20BARBarre de division de bacs 508 mm (20")
(série **HWB-FUL** uniquement)



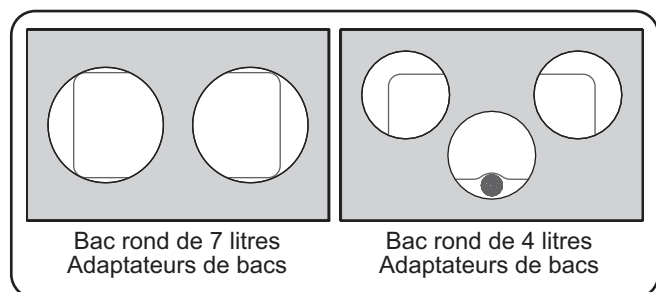
Barres de division de bacs

Adaptateurs de bacs

Des adaptateurs sont disponibles pour permettre à des puits chauffants rectangulaires de contenir des bacs ronds.

HWB-2-7Q Adaptateur pour que les séries de puits chauffants HWBI-S puissent accueillir deux bacs ronds de 7 litres.

HWB-3-4Q Adaptateur pour que les séries de puits chauffants HWBI-S puissent accueillir trois bacs ronds de 4 litres.



Adaptateurs de bacs

Bacs alimentaires

Des bacs en acier inoxydable sont disponibles en différentes tailles.

ST PAN 1/3Bac en acier inoxydable format 1/3 — 324L x 175P x 64H mm (12-3/4 x 6-7/8 x 2-1/2")

ST PAN 1/2Bac en acier inoxydable format 1/2 — 324L x 264P x 64H mm (12-3/4 x 10-3/8 x 2-1/2")

ST PAN 2Bac en acier inoxydable grande format de 64 mm (2-1/2") de profondeur — 324L x 527P x 64H mm (12-3/4 x 20-3/4 x 2-1/2")

ST PAN 4Bac en acier inoxydable grande format de 102 mm (4") de profondeur — 324L x 527P x 102H mm (12-3/4 x 20-3/4 x 4")

4QT-PANBac rond de 3,8 litres — 171 dia. x 203H mm (6-3/4 x 8")

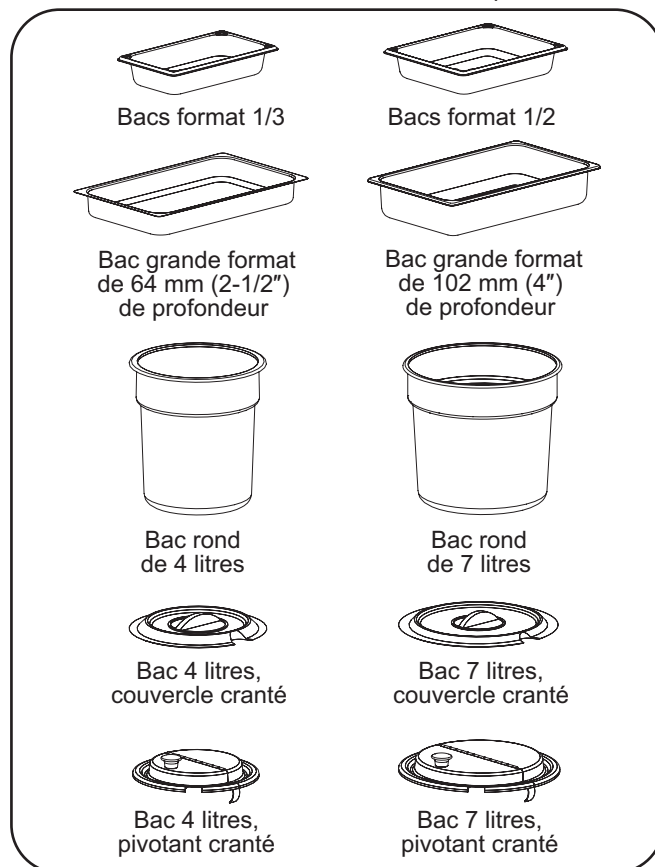
7QT-PAN7 quart round pan — 221 dia. x 203 H mm (8-11/16 x 8")

4QT-LID-1Bac rond de 4 litres, couvercle cranté

7QT-LID-1Bac rond de 7 litres, couvercle cranté

4QT-LIDBac rond de 4 litres, couvercle pivotant et cranté

7QT-LIDBac rond de 7 litres, couvercle pivotant et cranté



Bacs en acier inoxydable

Divers

BALLVALVE3/4 Robinet à tournant sphérique 19 mm (3/4") pour l'installation d'un tuyau de vidange externe pour les unités avec un système de vidange.

BALLVALVE1INCH .. Robinet à tournant sphérique de 25 mm (1") pour installation sur le tuyau de vidange externe des unités avec ensemble d'orifice de vidange.

GATEVALVE3/4IN Robinet vanne 19 mm (3/4") pour l'installation d'un tuyau de vidange externe pour les unités avec un système de vidange.

GATEVALVE1INCH .. Robinet vanne de 25 mm (1") pour installation sur le tuyau de vidange externe des unités avec ensemble de d'orifice de vidange.

Support d'adaptation

HWB-MNT-REC Support d'adaptation (8) pour l'installation de puits chauffants avec dans une table de travail non inflammable dont l'épaisseur va de 5 à 51 mm (3/16-2").

Grilles

Des grilles en acier inoxydable ou nickelées sont disponibles en différentes tailles.

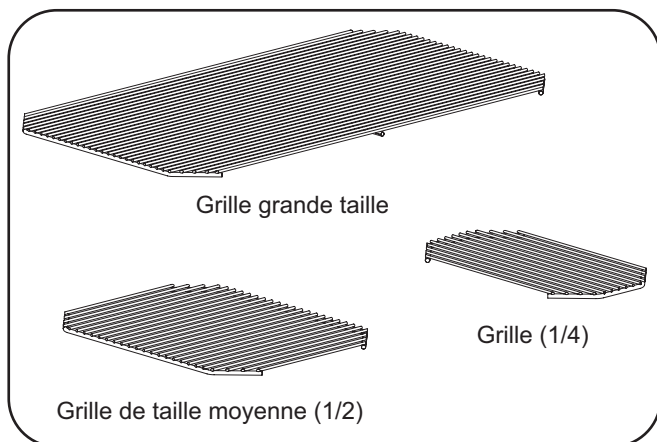
TRIVET (1/4)SS.....Grille en acier inoxydable petite taille (1/4) : 216 x 114 mm (8-1/2" de largeur x 4-1/2" de profondeur)

TRIVET (1/2)SS.....Grille en acier inoxydable taille moyenne (1/2) : 259 x 194 mm (10-3/16" de largeur x 7-5/8" de profondeur)

TRIVET SS.....Grille en acier inoxydable grande taille : 257 x 457 mm (10-1/8" de largeur x 18" de profondeur)

TRIVET (1/2).....Grille nickelée de taille moyenne (1/2): 259 x 194 mm (10-3/16" de largeur x 7-5/8" de profondeur)

TRIVET.....Grille nickelée grande taille : 257 x 457 mm (10-1/8" de largeur x 18" de profondeur)



Grilles

Conversion d'une unité en système triphasé

Les unités **HWBI-S2**, -S3 et -S4 non fournies avec un cordon et une fiche peuvent être converties en configuration électrique triphasée. Suivez la procédure suivante pour convertir une unité monophasée en une unité triphasée.

⚠ AVERTISSEMENT

DANGER DE DÉCHARGE ÉLECTRIQUE :

- Placez l'interrupteur sur Arrêt, débranchez le cordon d'alimentation/arrêtez le courant au disjoncteur et laissez l'unité refroidir avant d'effectuer la moindre opération de maintenance ou de nettoyage.
- Cette unité doit être entretenue uniquement par des personnes qualifiées. Un entretien réalisé par des personnes non-qualifiées peut entraîner des décharges électriques ou provoquer des brûlures.

1. Assurez-vous que l'interrupteur Marche/Arrêt est en position OFF et que le câble d'alimentation principal est débranché.

2. Retirez le couvercle à découper du boîtier de commande.
 - Pour les unités **HWBI-S4** avec deux boîtiers de commande, retirez simplement le couvercle du boîtier à droite (lorsque vous êtes face à la partie commande de l'unité) pour effectuer la conversion en système triphasé.
 3. Recherchez le bornier du boîtier de commande et changez les fils concernés pour passer à une unité triphasée. Consultez le schéma de câblage (fourni avec l'unité) ci-dessous pour les changements à effectuer.
 - **Schéma de câblage 10-01-549** = toutes les unités **HWBI-S2** et **HWBI-S3** ainsi que les unités **HWBI-S4**.
 - **Schéma de câblage 10-01-565** = toutes les unités **HWBI-S4** avec un seul boîtier de commande.
- NOTA: Pour obtenir le schéma de câblage, contactez votre agent de maintenance agréé ou l'assistance Hatco (consultez la dernière page de ce manuel).*
4. Une fois la conversion en système triphasé effectuée, placez l'étiquette « Converti en système triphasé » à l'intérieur du boîtier de commande, près du bornier. Cette étiquette est incluse dans la brochure d'information qui accompagne ce manuel.
 5. Remplacez la protection sur le boîtier de commande.
 6. Reconnectez le câble d'alimentation et testez le bon fonctionnement de l'unité.

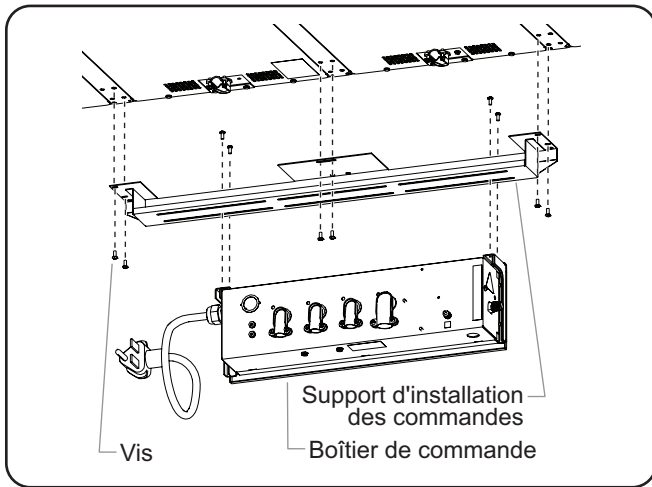
Cadre grande dimension

Un cadre grande dimension est disponible, en option, pour tous les modèles. Les modèles disposant d'un cadre grande dimension comportent les mêmes dimensions qu'une cuve réfrigérée Hatco.

Câble d'alimentation et prise

Un câble d'alimentation et une prise sont fournis de série pour la plupart des modèles avec configuration électrique monophasée et sans conduit de commande étendu.

1. Fixez le boîtier de commande à l'endroit souhaité sur le support d'installation des commandes à l'aide des vis fournies.
 - La profondeur de découpe nécessaire à tous les boîtiers de commande est de 127 mm (5").
 - La profondeur de découpe nécessaire à ce boîtier de commande est de 121 mm (4-3/4").
 - Consultez la procédure « Installation d'un boîtier de commande à distance » de la section INSTALLATION si vous installez un boîtier de commande pour utilisation à distance.
2. Branchez l'unité à une prise correctement reliée à la terre et possédant le voltage, la dimension et la configuration adéquats. Consultez la section CARACTÉRISTIQUES pour plus de détails.



Installation du boîtier de commande avec câble et prise

Auto-remplissage latéral

L'option d'auto-remplissage latéral relie l'arrivée d'eau disponible sur les lieux à un raccord d'auto-remplissage situé sur une des parois du puits via le panneau de commande. Suivez la procédure suivante pour installer une unité équipée de l'option d'auto-remplissage latéral.

ATTENTION

Les unités avec auto-remplissage doivent être installées avec une protection anti-reflux adaptée et doivent être conformes aux lois nationales en vigueur.

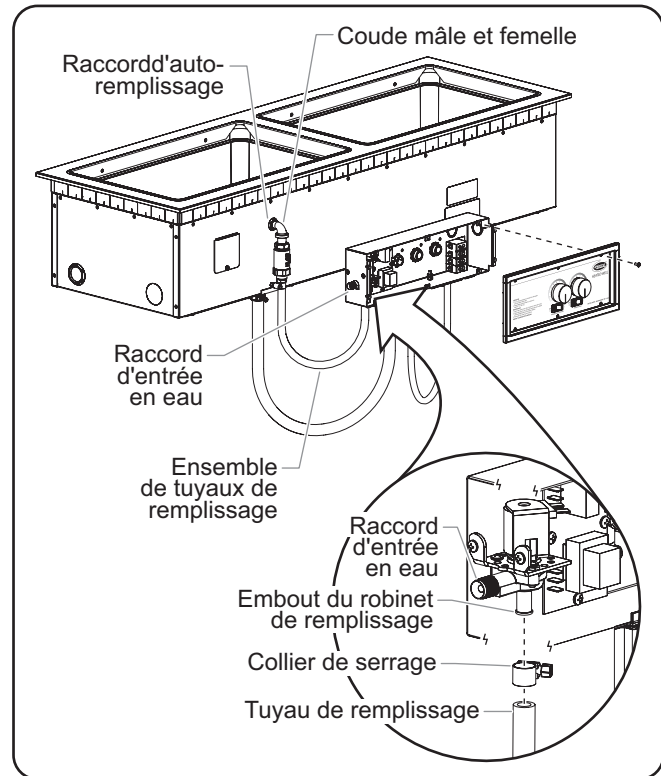
AVIS

Les joints d'étanchéité doivent pouvoir supporter une température de 260°C (500°F) minimum. Les conduites d'arrivée d'eau doivent être conformes aux normes FDA relatives à l'eau potable.

1. Connectez le coude mâle et femelle à l'emplacement de l'auto-remplissage situé à l'extérieur du puits. Remplacez le tuyau de remplissage sur le raccord.

NOTA: Il est possible de vous deviez retirer le tuyau de remplissage de l'ensemble de remplissage pour plus de confort.

2. Branchez l'autre extrémité du tuyau de remplissage à l'embout du robinet de remplissage dans le boîtier de commande et fixez-le à l'aide d'un collier de serrage. (Démontez le couvercle à découper du boîtier de commande pour accéder à l'embout).
3. Connectez le tuyau d'alimentation en eau disponible sur les lieux au raccord d'entrée d'eau NPT de 6 mm (1/4") du boîtier de commande.
4. Mettez l'alimentation en eau en route et recherchez les fuites éventuelles.



Installation de l'unité d'auto-remplissage

NOTA: Assurez-vous que l'unité est connectée à la ligne de drainage du site avant de tester le fonctionnement de l'auto-remplissage.

Auto-remplissage monté sur orifice de vidange

L'option d'auto-remplissage monté sur orifice de vidange relie l'arrivée d'eau disponible sur les lieux à l'orifice de vidange situé sur une des parois ou sur la partie inférieure d'une unité avec un système de collecteur d'évacuation via le panneau de commande. Suivez la procédure suivante pour installer une unité équipée de l'option d'auto-remplissage monté sur orifice de vidange.

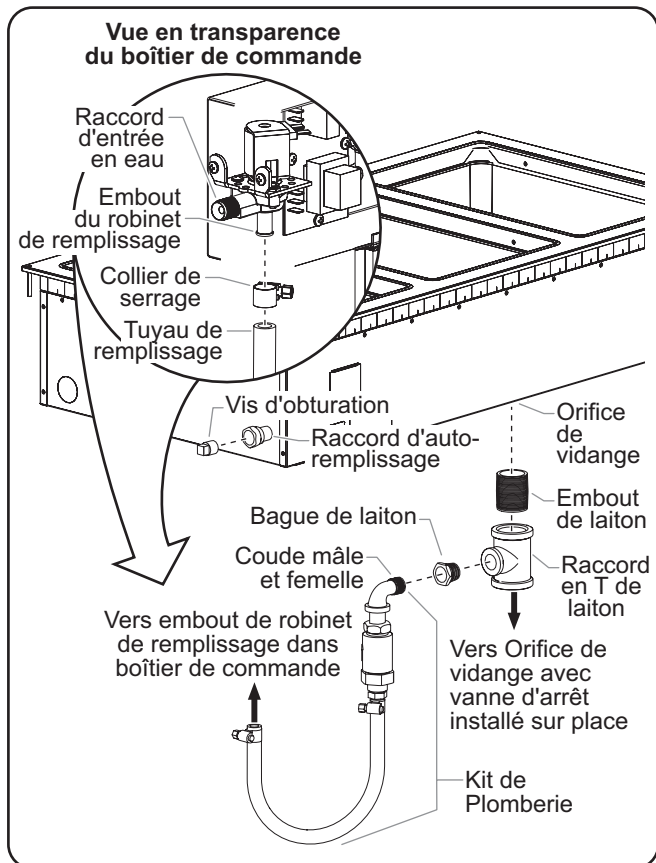
AVIS

Les joints d'étanchéité doivent pouvoir supporter une température de 260 °C (500 °F) minimum. Les conduites d'arrivée d'eau doivent être conformes aux normes FDA relatives à l'eau potable.

1. Fixez solidement la vis d'obturation au raccord d'auto-remplissage à l'extérieur du puits.
2. Installez l'embout de laiton dans le raccord de vidange sur la partie inférieure ou latérale du puits.
3. Vissez le raccord en T de laiton sur l'embout de laiton.
4. Vissez la bague de laiton à l'intérieur du raccord en T de laiton.
5. Connectez le coude de tuyau de remplissage à la bague de laiton.

NOTA: Il est possible de vous deviez retirer le tuyau de remplissage de l'ensemble de remplissage pour plus de confort.

6. Connectez le tuyau de remplissage à l'embout du robinet de remplissage dans le boîtier de commande et fixez-le à l'aide d'un collier de serrage. (Démontez le couvercle à découper du boîtier de commande pour accéder à l'embout).
7. Connectez le tuyau de vidange disponible sur les lieux avec la vanne d'arrêt à l'extrémité ouverte du raccord en T de laiton.
8. Connectez l'arrivée d'eau disponible sur les lieux au raccord d'entrée d'eau NPT de 6 mm (1/4") du boîtier de commande.
9. Fermez la vanne d'arrêt installée sur les lieux, actionnez l'arrivée d'eau et recherchez les éventuelles fuites.



Auto-remplissage monté sur orifice de vidange

GARANTIE, RECOURS EXCLUSIF :

Hatco Corporation (le Vendeur) garantit que les produits qu'elle fabrique (les Produits) seront exempts de défauts de matériaux et de fabrication dans des conditions d'utilisation et de service normales et lorsqu'ils sont stockés, entretenus et installés en stricte conformité avec les recommandations de l'usine. La seule obligation du vendeur envers la personne ou l'entité qui achète les Produits directement auprès du Vendeur (le Client) dans le cadre de cette garantie est la réparation ou le remplacement par le Vendeur ou un organisme de service autorisé par le Vendeur, à la discrétion du Vendeur, de tout Produit ou de toute pièce de celui-ci jugés défectueux par le Vendeur après examen, pendant : (i) la Durée de la garantie à compter de la date d'expédition par le Vendeur ou (ii) la Durée de la garantie à compter de la date d'enregistrement du Produit conformément aux instructions écrites du Vendeur ; la durée la plus longue s'appliquant. La « Durée de la garantie » désigne les périodes spécifiques énoncées ci-dessous pour des composants spécifiques du Produit ou, si ceux-ci ne sont pas énoncés ci-dessous, une période de dix-huit (18) mois. Le crédit pour les Produits ou les pièces retournés avec l'autorisation écrite préalable du Vendeur sera soumis aux conditions indiquées sur le formulaire d'autorisation de retour de matériel du Vendeur. AUCUN CRÉDIT NE SERA ACCORDÉ POUR LES PRODUITS OU LES PIÈCES RETOURNÉS SANS AUTORISATION ÉCRITE PRÉALABLE DU VENDEUR. Les frais engagés par le Client pour retourner, remplacer ou retirer les Produits ne seront pas remboursés par le Vendeur. Si le défaut est couvert par la garantie limitée, les Produits seront réparés ou remplacés et retournés au Client, et les frais de retour seront payés par le Vendeur. La réparation ou le remplacement prévus dans les présentes est le recours exclusif du client. Toute utilisation inappropriée, modification, réparation, altération, mauvaise application, installation incorrecte, application d'une tension inappropriée, ou toute autre action ou inaction par le Client ou d'autres personnes (y compris l'utilisation de tout organisme de service non autorisé) qui, selon le seul jugement du Vendeur, affecte négativement le Produit annule cette garantie. La garantie expressément prévue dans les présentes ne peut être réclamée que par le Client et non par les clients du Client ou d'autres utilisateurs des Produits ; cependant, si le Client est un revendeur d'équipement autorisé par le Vendeur, le Client peut attribuer la garantie aux clients du Client, sous réserve de toutes les limitations des présentes Conditions, et dans ce cas, la garantie sera exclusivement contrôlée par le Vendeur conformément aux présentes Conditions. CETTE GARANTIE LIMITÉE EST EXCLUSIVE ET REMPLACE TOUTE AUTRE GARANTIE, EXPRESSE OU IMPLICITE, Y COMPRIS, MAIS SANS S'Y LIMITER, TOUTE GARANTIE IMPLICITE D'ABSENCE DE CONTREFAÇON, DE QUALITÉ MARCHANDE OU D'ADÉQUATION À UN USAGE PARTICULIER, QUI EST EXPRESSÉMENT DÉCLINÉE.

Garantie d'un (1) an pour les pièces et la main-d'œuvre, PLUS garantie d'un (1) an supplémentaire pour les pièces uniquement :

Éléments du grille-pain à convoyeur (enveloppe métallique)
Éléments des tiroirs chauffants (enveloppe métallique)
Tiroirs, roues et glissières des tiroirs chauffants
Éléments du réchaud (enveloppe métallique)
Éléments de présentation du réchaud (enveloppe métallique, air chauffant)
Éléments des armoires de stockage (enveloppe métallique, air chauffant)
Éléments de puits chauffants — séries HW, HWB et HWBI (enveloppe métallique)

Garantie de deux (2) ans pour les pièces et la main-d'œuvre :

Gammes à induction
Réchauds à induction

Garantie de remplacement d'un (1) an :

Grille-pain à éjection TPT

Garantie d'un (1) an pour les pièces et la main-d'œuvre, PLUS garantie de quatre (4) ans pour les pièces uniquement :

Cuves 3CS et FR

Garantie d'un (1) an pour les pièces et la main-d'œuvre, PLUS garantie de neuf (9) ans pour les pièces uniquement :

Cuves des appareils de chauffage d'appoint électriques
Cuves des appareils de chauffage d'appoint à gaz

Garantie de quatre-vingt-dix (90) jours pour les pièces uniquement :

Pièces de rechange

Nonobstant toute disposition contraire des présentes, la garantie limitée des présentes ne couvrira pas, à la seule discrétion du vendeur, les éléments suivants, mais sans s'y limiter : ampoules à incandescence enduites, éclairages fluorescents, ampoules de lampe chauffante, ampoules halogènes enduites, ampoules de lampe chauffante halogène, ampoules au xénon, tubes de lumière DEL, composants en verre et fusibles ; défaillance du Produit au niveau de la cuve d'appoint, de l'échangeur de chaleur à tubes à ailettes ou de tout autre équipement de chauffage de l'eau causée par la formation de calcaire, l'accumulation de sédiments, une attaque chimique ou le gel.

INSTRUCTIONS D'ENREGISTREMENT DE LA GARANTIE :

L'enregistrement du produit doit être soumis dans les 90 jours à compter de la date d'expédition de notre usine pour bénéficier d'une couverture supplémentaire. L'enregistrement peut être soumis via le formulaire sur le site Web du Vendeur, via le formulaire accessible grâce au code QR sur le Produit (le cas échéant) ou en appelant le service client en fournissant les informations requises au : **+1 800 558 0607** ou **+1 414 671 6350**.

CLAUSE LIMITATIVE DE RESPONSABILITÉ :

LE VENDEUR NE SERA PAS TENU RESPONSABLE DES DOMMAGES INDIRECTS, ACCESSOIRES, CONSÉCUTIFS, PUNITIFS, EXEMPLAIRES OU DÉTERMINÉS, Y COMPRIS, MAIS SANS S'Y LIMITER, LES MANQUES À GAGNER, LES COÛTS DES PRODUITS DE SUBSTITUTION OU LES FRAIS DE MAIN-D'ŒUVRE RÉSULTANT DE LA VENTE, DE L'UTILISATION OU DE L'INSTALLATION DES PRODUITS, QUE LES PRODUITS SOIENT INCORPORÉS DANS D'AUTRES PRODUITS OU EN DEVIENNENT DES COMPOSANTS, OU DE TOUTE AUTRE CAUSE QUE CE SOIT, FONDÉE SUR UNE GARANTIE (EXPRESSE OU IMPLICITE) OU AUTREMENT FONDÉE SUR UN CONTRAT, UN TORT OU TOUTE AUTRE THÉORIE DE RESPONSABILITÉ, ET INDÉPENDamment DE TOUT CONSEIL OU REPRÉSENTATION QUI AURAIENT PU ÊTRE DONNÉS PAR LE VENDEUR CONCERNANT LA VENTE, L'UTILISATION OU L'INSTALLATION DES PRODUITS, MÊME SI LE VENDEUR EST CONSCIENT DE LA POSSIBILITÉ DE TELS DOMMAGES. EN AUCUN CAS, LA RESPONSABILITÉ GÉNÉRALE DU VENDEUR DÉCOULANT DE CE CONTRAT OU LIÉE À CELUI-CI NE DÉPASSERA LES MONTANTS TOTAUX PAYÉS AU VENDEUR PAR LE CLIENT POUR LES PRODUITS DANS LA PÉRIODE DE TROIS (3) MOIS PRÉCÉDANT IMMÉDIATEMENT L'ÉVÉNEMENT DONNANT LIEU À UNE RÉCLAMATION DU CLIENT. LES LIMITATIONS ÉNONCÉES DANS LES PRÉSENTES CONCERNANT LA RESPONSABILITÉ DU VENDEUR SONT VALABLES ET EXÉCUTOIRES NONOBTANT UN MANQUEMENT À L'OBJECTIF PRINCIPAL DU RECOURS LIMITÉ SPÉCIFIÉ DANS CES CONDITIONS.

Le vendeur se réserve le droit de mettre à jour ces conditions à tout moment, à sa seule discrétion, qui deviennent obligatoires à la date de publication. Pour la version la plus récente de nos conditions de vente complètes, consultez notre site Web à l'adresse : <https://www.hatcocorp.com/terms-of-sale>

AUTHORIZED PARTS DISTRIBUTORS • DISTRIBUTEURS DE PIÈCES AUTORISÉS

ALABAMA

Jones McLeod Appl. Svc.
Birmingham 205-251-0159

ARIZONA

Tech 24
Phoenix 602-234-2443

Byassee Equipment Co.
Phoenix 602-252-0402

CALIFORNIA

Industrial Electric
Commercial Parts & Service, Inc.
Huntington Beach 714-379-7100

Chapman Appl. Service
San Diego 619-298-7106

P & D Appliance
Commercial Parts & Service, Inc.
S. San Francisco 650-635-1900

COLORADO

Hawkins Commercial Appliance
Englewood 303-781-5548

FLORIDA

Whaley Foodservice Repair
Jacksonville 904-725-7800

Whaley Foodservice Repair
Orlando 407-757-0851

B.G.S.I./Heritage
Pompano Beach 954-971-0456

Comm. Appliance Service
Tampa 813-663-0313

GEORGIA

Heritage Service Group
Norcross 866-388-9837

HAWAII

Burney's Comm. Service, Inc.
Honolulu 808-848-1466

Food Equip Parts & Service
Honolulu 808-847-4871

ILLINOIS

Parts Town
Addison 708-865-7278

Eichenauer Elec. Service
Decatur 217-429-4229

Midwest Elec. Appl. Service
Elmhurst 630-279-8000

Cone's Repair Service
Moline 309-797-5323

IOWA

Goodwin Tucker Group
Des Moines 515-262-9308

KENTUCKY

Tech 24
Lexington 859-254-8854

Tech 24
Louisville 502-451-5411

LOUISIANA

Chandlers Parts & Service
Baton Rouge 225-272-6620

MARYLAND

Electric Motor Service
Baltimore 410-467-8080

MASSACHUSETTS

Ace Service Co. Inc.
Needham 781-449-4220

MICHIGAN

Bildons Appliance Service
Detroit 248-478-3320

Commercial Kitchen Service
Bay City 989-893-4561

Midwest Food Equip. Service
Grandville 616-261-2000

MISSOURI

General Parts
Kansas City 816-421-5400

Commercial Kitchen Services
St. Louis 314-890-0700

Kaemmerlen Parts & Service
St. Louis 314-535-2222

NEBRASKA

Anderson Electric
Omaha 402-341-1414

NEVADA

Burney's Commercial
Las Vegas 702-736-0006

Hi. Tech Commercial Service
N. Las Vegas 702-649-4616

NEW JERSEY

Jay Hill Repair
Fairfield 973-575-9145

Service Plus
Flanders 973-691-6300

NEW YORK

Alpro Service Co.
Maspeth 718-386-2515

Duffy's - AIS
Buffalo 716-884-7425

3Wire
Plattsburgh 800-634-5005

Duffy's - AIS
Sauquoit 800-836-1014

J.B. Brady, Inc.
Syracuse 315-422-9271

NORTH CAROLINA

Authorized Appliance
Charlotte 704-377-4501

OHIO

Akron/Canton Comm. Svc. Inc.
Akron 330-753-6634

Tech 24
Cincinnati 513-772-6600

Commercial Parts and Service
Columbus 614-221-0057

Electrical Appl. Repair Service
Brooklyn Heights 216-459-8700

E. A. Wichman Co.
Toledo 419-385-9121

OKLAHOMA

Hagar Rest. Service, Inc.
Oklahoma City 405-235-2184

OREGON

General Parts Group
Portland 503-624-0890

PENNSYLVANIA

Elmer Schultz Services
Philadelphia 215-627-5401

FAST Comm. Appl. Service
Philadelphia 215-288-4800

AIS Commercial Parts and Service
Pittsburgh 412-809-0244

K & D Service Co.
Harrisburg 717-236-9039

Electric Repair Co.
Reading 610-376-5444

RHODE ISLAND

Marshall Electric Co.
Providence 401-331-1163

SOUTH CAROLINA

Whaley Foodservice Repair
Lexington 803-996-9900

TENNESSEE

Camp Electric
Memphis 901-527-7543

TEXAS

Armstrong Repair Service
Houston 713-666-7100

Cooking Equipment Specialist
Mesquite 972-686-6666

Commercial Kitchen Repair Co.
San Antonio 210-735-2811

UTAH

La Monica's Rest. Equip. Service
Murray 801-263-3221

VIRGINIA

Daubers
Norfolk 757-855-4097

Daubers
Springfield 703-866-3600

WASHINGTON

3Wire
Seattle 800-207-3146

WISCONSIN

A.S.C., Inc.
Madison 608-246-3160

A.S.C., Inc.
Milwaukee 414-543-6460

CANADA

ALBERTA

Key Food Equipment Service
Edmonton 780-438-1690

BRITISH COLUMBIA

Key Food Equipment Service
Vancouver 604-433-4484

Key Food Equipment Service
Victoria 250-920-4888

MANITOBA

Air Rite, Inc.
Winnipeg 204-895-2300

NEW BRUNSWICK

EMR Services, Ltd.
Moncton 506-855-4228

ONTARIO

R.G. Henderson Ltd.
Toronto 416-422-5580

Choquette - CKS, Inc.
Ottawa 613-739-8458

QUÉBEC

Choquette - CKS, Inc.
Montreal 514-722-2000

Choquette - CKS, Inc.
Québec City 418-681-3944

UNITED KINGDOM

Marren Group
Northants +44(0)1933 665313

HATCO CORPORATION

P.O. Box 340500

Milwaukee, WI 53234-0500 U.S.A.

800-558-0607 414-671-6350

support@hatcocorp.com

www.hatcocorp.com

Register your unit online!

See IMPORTANT OWNER INFORMATION
section for details.

Enregistrez votre appareil en ligne !

Lisez la section INFORMATIONS IMPORTANTES POUR
LE PROPRIÉTAIRE pour plus d'informations.