

hatcocorp.com

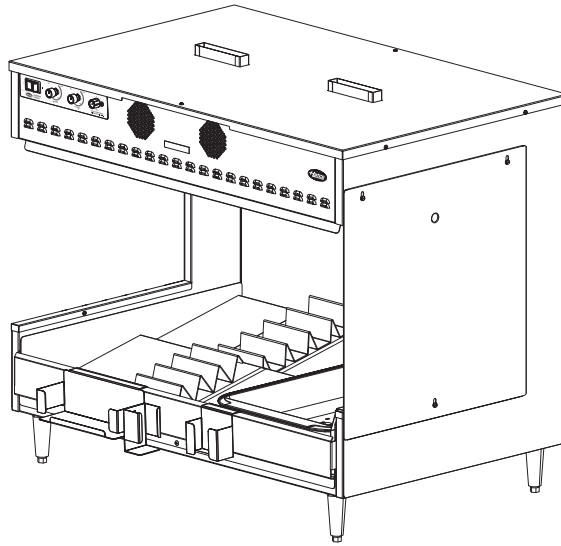
Register Online!  
(see page 2)

S'inscrire en ligne!  
(voir page 12)



# Multi-Product Warming Station L'unité Chauffante Multi-Produits MPWS Series • Série MPWS

## Installation and Operating Manual Manuel d'installation et d'utilisation



### **⚠ WARNING**

Do not operate this equipment unless you have read and understood the contents of this manual! Failure to follow the instructions contained in this manual may result in serious injury or death. This manual contains important safety information concerning the maintenance, use, and operation of this product. If you're unable to understand the contents of this manual, please bring it to the attention of your supervisor. Keep this manual in a safe location for future reference.

English = p 2

### **⚠ ADVERTENCIA**

No opere este equipo al menos que haya leído y comprendido el contenido de este manual! Cualquier falla en el seguimiento de las instrucciones contenidas en este manual puede resultar en un serio lesión o muerte. Este manual contiene importante información sobre seguridad concierne al mantenimiento, uso y operación de este producto. Si usted no puede entender el contenido de este manual por favor pregunte a su supervisor. Almacenar este manual en una localización segura para la referencia futura.

### **⚠ AVERTISSEMENT**

Ne pas utiliser cet équipement sans avoir lu et compris le contenu de ce manuel ! Le non-respect des instructions contenues dans ce manuel peut entraîner de graves blessures ou la mort. Ce manuel contient des informations importantes concernant l'entretien, l'utilisation et le fonctionnement de ce produit. Si vous ne comprenez pas le contenu de ce manuel, veuillez le signaler à votre supérieur. Conservez ce manuel dans un endroit sûr pour pouvoir vous y référer plus tard.

Français = p 12

<b>Important Owner Information</b> .....	2	<b>Operation</b> .....	7
<b>Introduction</b> .....	2	General .....	7
<b>Important Safety Information</b> .....	3	<b>Maintenance</b> .....	8
<b>Model Description</b> .....	4	General .....	8
<b>Model Designation</b> .....	4	Daily Cleaning.....	8
<b>Specifications</b> .....	5	Replacing Display Light Bulbs .....	8
Plug Configuration .....	5	<b>Troubleshooting Guide</b> .....	9
Electrical Rating Chart.....	5	<b>Options and Accessories</b> .....	10
Dimensions .....	5	<b>Limited Warranty</b> .....	11
<b>Installation</b> .....	6	<b>Authorized Parts Distributors</b> .....	Back Cover
General .....	6		

## IMPORTANT OWNER INFORMATION

Record the model number, serial number (specification label located on the back of the unit), voltage, and purchase date of the unit in the spaces below. Please have this information available when calling Hatco for service assistance.

Model No. \_\_\_\_\_

Serial No. \_\_\_\_\_

Voltage \_\_\_\_\_

Date of Purchase \_\_\_\_\_

**Business**

Hours: 7:00 AM to 5:00 PM Central Standard Time (CST)  
(Summer Hours: June to September—  
7:00 AM to 5:00 PM CST Monday–Thursday  
7:00 AM to 4:00 PM CST Friday)

Telephone: 800-558-0607; 414-671-6350

e-mail: [partsandservice@hatcocorp.com](mailto:partsandservice@hatcocorp.com)



24 Hour 7 Day Parts and Service Assistance available in the United States and Canada by calling 800-558-0607.

Additional information can be found by visiting our web site at [www.hatcocorp.com](http://www.hatcocorp.com).

**Register your unit!**

Completing online warranty registration will prevent delay in obtaining warranty coverage. Access the Hatco website at [www.hatcocorp.com](http://www.hatcocorp.com), select the *Parts & Service* pull-down menu, and click on "Warranty Registration".

## INTRODUCTION

The Hatco Multi-Product Warming Station holds hot fried products and other pre-heated food at serving temperatures in kitchen work areas. This station will keep food at optimum serving temperatures without affecting quality.

The Multi-Product Warming Station features easy access to the food product and incorporates Hatco's precise temperature control to safely hold foods longer. The semi-enclosed chamber is equipped with pre-focused infrared heat from above and a thermostatically-controlled heated base to extend the holding times of the food product. The ceramic heating elements and the base blanket heating element are guaranteed against burnout and breakage for one year.

The Hatco Multi-Product Warming Station is a product of extensive research and field testing. The materials used were selected for maximum durability, attractive appearance, and optimum performance. Every unit is inspected and tested thoroughly prior to shipment.

This manual provides installation, safety, and operating instructions for the Multi-Product Warming Station. Hatco recommends all installation, operating, and safety instructions appearing in this manual be read prior to installation or operation of the unit.

Safety information that appears in this manual is identified by the following signal word panels:



**WARNING** indicates a hazardous situation which, if not avoided, could result in death or serious injury.



**CAUTION** indicates a hazardous situation which, if not avoided, could result in minor or moderate injury.



**NOTICE** is used to address practices not related to personal injury.



Read the following important safety information before using this equipment to avoid serious injury or death and to avoid damage to equipment or property.

**WARNING**

**ELECTRIC SHOCK HAZARD:**

- Plug unit into a properly grounded electrical receptacle of the correct voltage, size, and plug configuration. If plug and receptacle do not match, contact a qualified electrician to determine and install the proper voltage and size electrical receptacle.
- Units supplied without an electrical plug require field installation of proper plug. Plug must be properly grounded and of correct voltage, size, and configuration for electrical specifications of unit. Contact a qualified electrician to determine and install proper electrical plug.
- Turn OFF power switch, unplug power cord, and allow unit to cool before performing any cleaning, adjustments, or maintenance.
- DO NOT submerge or saturate with water. Unit is not waterproof. Do not operate if unit has been submerged or saturated with water.
- Unit is not weatherproof. Locate unit indoors where ambient air temperature is a minimum of 70°F (21°C).
- Do not steam clean or use excessive water on unit.
- This unit is not “jet-proof” construction. Do not use jet-clean spray to clean this unit.
- Do not pull unit by power cord.
- Discontinue use if power cord is frayed or worn.
- Do not attempt to repair or replace a damaged power cord. Cord must be replaced by Hatco, an Authorized Hatco Service Agent, or a person with similar qualifications.
- This unit must be serviced by qualified personnel only. Service by unqualified personnel may lead to electric **shock** or burn.
- Use only Genuine Hatco Replacement Parts when service is required. Failure to use Genuine Hatco Replacement Parts will void all warranties and may subject operators of the equipment to hazardous electrical voltage, resulting in electrical **shock** or burn. Genuine Hatco Replacement Parts are specified to operate safely in the environments in which they are used. Some aftermarket or generic replacement parts do not have the characteristics that will allow them to operate safely in Hatco equipment.

**FIRE HAZARD:**

- Locate unit a minimum of 1" (25 mm) from combustible walls and materials. If safe distances are not maintained, discoloration or combustion could occur.
- Do not place combustible items on top of unit.

Do not place food product directly onto hardcoat surface. Food product must be wrapped, boxed, or on a food pan.

**WARNING**

Use only light bulbs that meet or exceed National Sanitation Foundation (NSF) standards and are specifically designed for food holding areas. Breakage of light bulbs not specially-coated could result in personal injury and/or food contamination.

Make sure all operators have been instructed on the safe and proper use of the unit.

This unit is not intended for use by children or persons with reduced physical, sensory, or mental capabilities. Ensure proper supervision of children and keep them away from the unit.

This unit has no “user-serviceable” parts. If service is required on this unit, contact an Authorized Hatco Service Agent or contact the Hatco Service Department at 800-558-0607 or 414-671-6350.

**CAUTION**

**BURN HAZARD:** Some exterior surfaces on unit will get hot. Use caution when touching these areas.

Locate unit at proper counter height in an area that is convenient for use. Location should be level to prevent unit or its contents from falling accidentally and strong enough to support weight of unit and contents.

Do not place anything on top of unit; doing so may subject personnel to injury or could damage unit.

Standard and approved manufacturing oils may smoke up to 30 minutes during initial startup. This is a temporary condition. Operate unit without food product until smoke dissipates.

The National Sanitation Foundation (NSF) requires that units over 36" (914 mm) in width or weighing more than 80 lbs. (36 kg) either be sealed to or raised above the installation surface. If this unit cannot be sealed at the point of use, 4" (102 mm) legs are included to allow for proper cleaning access below the unit.

Do not move or relocate the unit for cleaning. The unit is bulky and heavy.

**NOTICE**

Use non-abrasive cleaners and cloths only. Abrasive cleaners and cloths could scratch finish of unit, marring its appearance and making it susceptible to soil accumulation.

Do not lay unit on the side with the control panel. Damage to unit could occur.

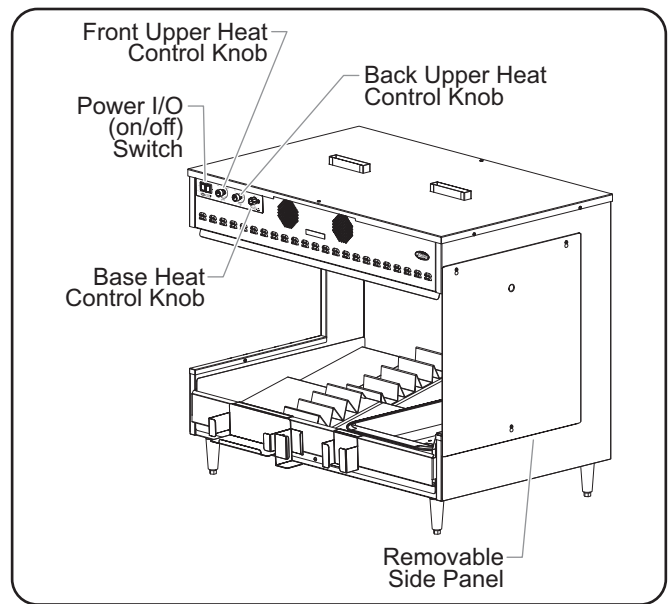
Do not locate unit in area with excessive air movement around unit. Avoid areas that may be subject to active air movements or currents (i.e., near exhaust fans/hoods, air conditioning ducts, and exterior doors).

# MODEL DESCRIPTION

## All Models

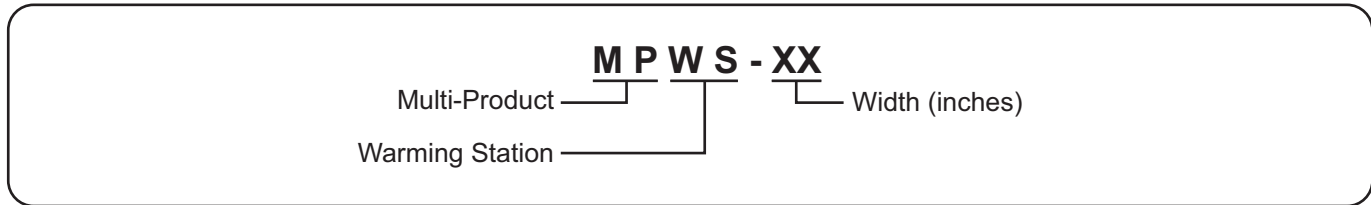
The Hatco Multi-Product Warming Station holds hot fried products and other pre-heated food at serving temperatures in kitchen work areas. The Warming Station is constructed of aluminum and stainless steel. Power to the unit is controlled by a Power I/O (on/off) Switch. The unit features six overhead ceramic heating elements and a blanket heating element in the base. The temperature of the overhead ceramic heating elements is adjusted using two separate electronic infinite controls — one for the rear elements and one for the front elements. The temperature of the base heating element is adjusted using a thermostatic control. The removable side panel can be installed on either side of the unit.

Various accessories are available to customize the Multi-Product Warming Station. Refer to the OPTIONS AND ACCESSORIES section for details.



MPWS-45 (shown with accessories)

# MODEL DESIGNATION



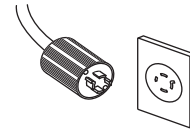
## Plug Configuration

Units are supplied from the factory with an electrical cord and plug installed. Plugs are supplied according to the applications.



### ELECTRIC SHOCK HAZARD:

- Plug unit into a properly grounded electrical receptacle of the correct voltage, size, and plug configuration. If plug and receptacle do not match, contact a qualified electrician to determine and install the proper voltage and size electrical receptacle.
- Units supplied without an electrical plug require field installation of proper plug. Plug must be properly grounded and of correct voltage, size, and configuration for electrical specifications of unit. Contact a qualified electrician to determine and install proper electrical plug.



NEMA L14-20P

Plug Configuration

*NOTE: Receptacle not supplied by Hatco.*

*NOTE: Specification label located on back of unit. See label for serial number and verification of unit electrical information.*

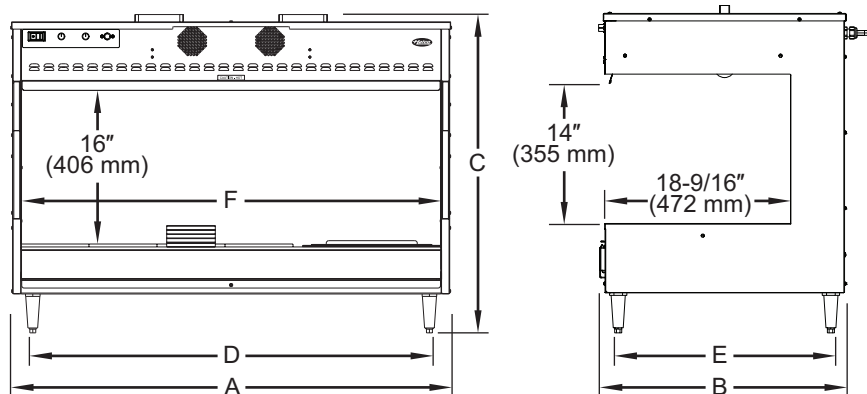
## Electrical Rating Chart

Model	Voltage	Watts	Amps	Plug Configuration	Shipping Weight
MPWS-36	120/208Y	2773	14.2	NEMA L-14-20P	152 lbs. (69 kg)
	120/240	2755	12.5	NEMA L-14-20P	152 lbs. (69 kg)
	230	3075	13.4	Cord Without Plug	152 lbs. (69 kg)
MPWS-45	120/208Y	2799	14.3	NEMA L-14-20P	170 lbs. (77 kg)
	120/240	2780	12.6	NEMA L-14-20P	170 lbs. (77 kg)
	230	3108	13.5	Cord Without Plug	170 lbs. (77 kg)

The shaded areas contain electrical information for **International models only**.

## Dimensions

Model	Width (A)	Depth (B)	Height (C)	Footprint Width (D)	Footprint Depth (E)	Opening Width (F)
MPWS-36	37-3/8" (950 mm)	24-11/16" (623 mm)	32-3/4" (832 mm)	33-7/16" (849 mm)	22" (559 mm)	35-1/4" (897 mm)
MPWS-45	45-3/8" (1153 mm)	24-11/16" (623 mm)	32-3/4" (832 mm)	41-7/16" (1052 mm)	22" (559 mm)	43-1/4" (1100 mm)



Front View

Side View

## General

The Hatco Multi-Product Warming Station is shipped with most components pre-assembled. Care should be taken when unpacking shipping carton to avoid damage to unit and components enclosed.



### WARNING

#### ELECTRIC SHOCK HAZARD:

- Units supplied without an electrical plug require field installation of proper plug. Plug must be properly grounded and of correct voltage, size, and configuration for electrical specifications of unit. Contact a qualified electrician to determine and install proper electrical plug.
- Unit is not weatherproof. Locate unit indoors where ambient air temperature is a minimum of 70°F (21°C).

#### FIRE HAZARD:

- Locate unit a minimum of 1" (25 mm) from combustible walls and materials. If safe distances are not maintained, discoloration or combustion could occur.
- Do not place combustible items on top of unit.



### CAUTION

Locate unit at proper counter height in an area that is convenient for use. Location should be level to prevent unit or its contents from falling accidentally and strong enough to support weight of unit and contents.

Do not place anything on top of unit; doing so may subject personnel to injury or could damage unit.



### NOTICE

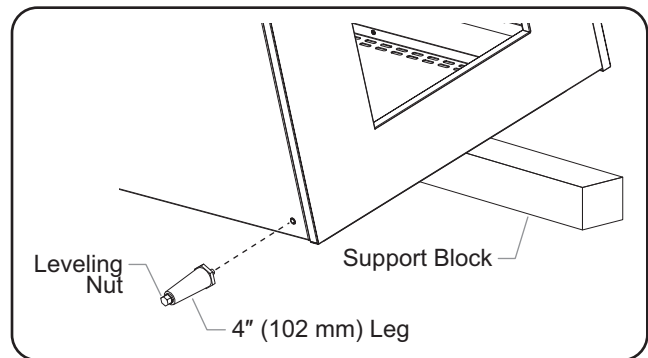
Do not lay unit on side with control panel. Damage to unit could occur.

Do not locate unit in area with excessive air movement around unit. Avoid areas that may be subject to active air movements or currents (i.e., near exhaust fans/hoods, air conditioning ducts, and exterior doors).

1. Remove the unit from the carton. Two people are required for this step.

*NOTE: To prevent delay in obtaining warranty coverage, complete online warranty registration. See the IMPORTANT OWNER INFORMATION section for details.*

2. Remove tape and protective packaging from all surfaces of the unit and any accessories.
3. Install the 4" (102 mm) legs. Two people are required for this step.
  - a. Locate a block of wood or something similar to support the unit on during leg installation. The block must be large enough to prevent the unit from resting on the power cord and strain relief when it is tipped on its back.
  - b. Carefully tip the unit backwards and rest it on the support block.
  - c. Install each leg. Hand-tighten the legs until snug. Do not over-tighten.
  - d. Carefully lift/return the unit to the upright position. Do not "rock" the unit forward on its back legs.



Leg Installation

4. Place the unit in the desired location. Two people are required for this step.
  - Locate the unit in an area where the ambient air temperature is constant and a minimum of 70°F (21°C). Avoid areas that may be subject to active air movements or currents (i.e., near exhaust fans/hoods, air conditioning ducts, and exterior doors).
  - Make sure the unit is at the proper counter height in an area convenient for use.
  - Make sure the countertop is level and strong enough to support the weight of the unit and food product.
  - Make sure all the feet on the bottom of the unit are positioned securely on the countertop.
5. Level the unit by turning the leveling nut on each leg, if necessary. When looking at the bottom of the unit, turning the nut counterclockwise will lengthen the leg, and turning the nut clockwise will shorten the leg.
6. Install the side panel on the desired side of the unit.
  - a. Align the screw heads with the large hole openings on the side panel.
  - b. Push down to lock in place.
7. Install any accessories that came with the unit. Refer to the OPTIONS AND ACCESSORIES section for details.
8. For units without a plug, have a qualified electrician install the proper plug on the cord. The plug must be properly grounded and of the correct voltage, size, and configuration. See the SPECIFICATIONS section for details.

**General**

Use the following procedure to operate the Multi-Product Warming Station.

**WARNING**

Read all safety messages in the **IMPORTANT SAFETY INFORMATION** section before operating this equipment.

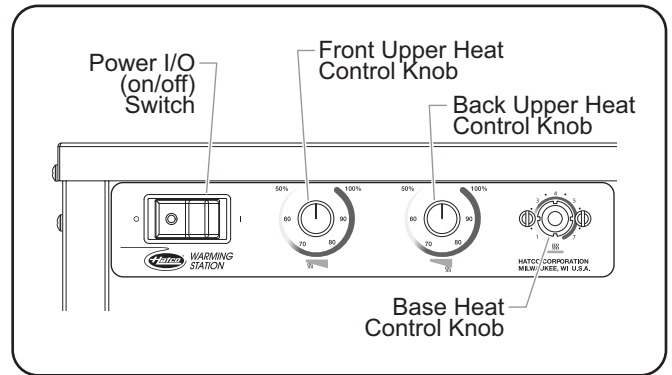
**CAUTION**

**BURN HAZARD:** Some exterior surfaces on unit will get hot. Use caution when touching these areas.

Standard and approved manufacturing oils may smoke up to 30 minutes during initial startup. This is a temporary condition. Operate unit without food product until smoke dissipates.

1. Plug unit into a properly grounded electrical outlet of the correct voltage, size, and plug configuration. See the SPECIFICATIONS section for details.
2. Move the Power I/O (on/off) switch to the I (on) position (located on the front of the unit). The display lights will turn on.
3. Turn the Front Upper Heat control knob to the desired setting.

4. Turn the Back Upper Heat control knob to the desired setting.
5. Turn the Base Heat control knob to the desired setting.

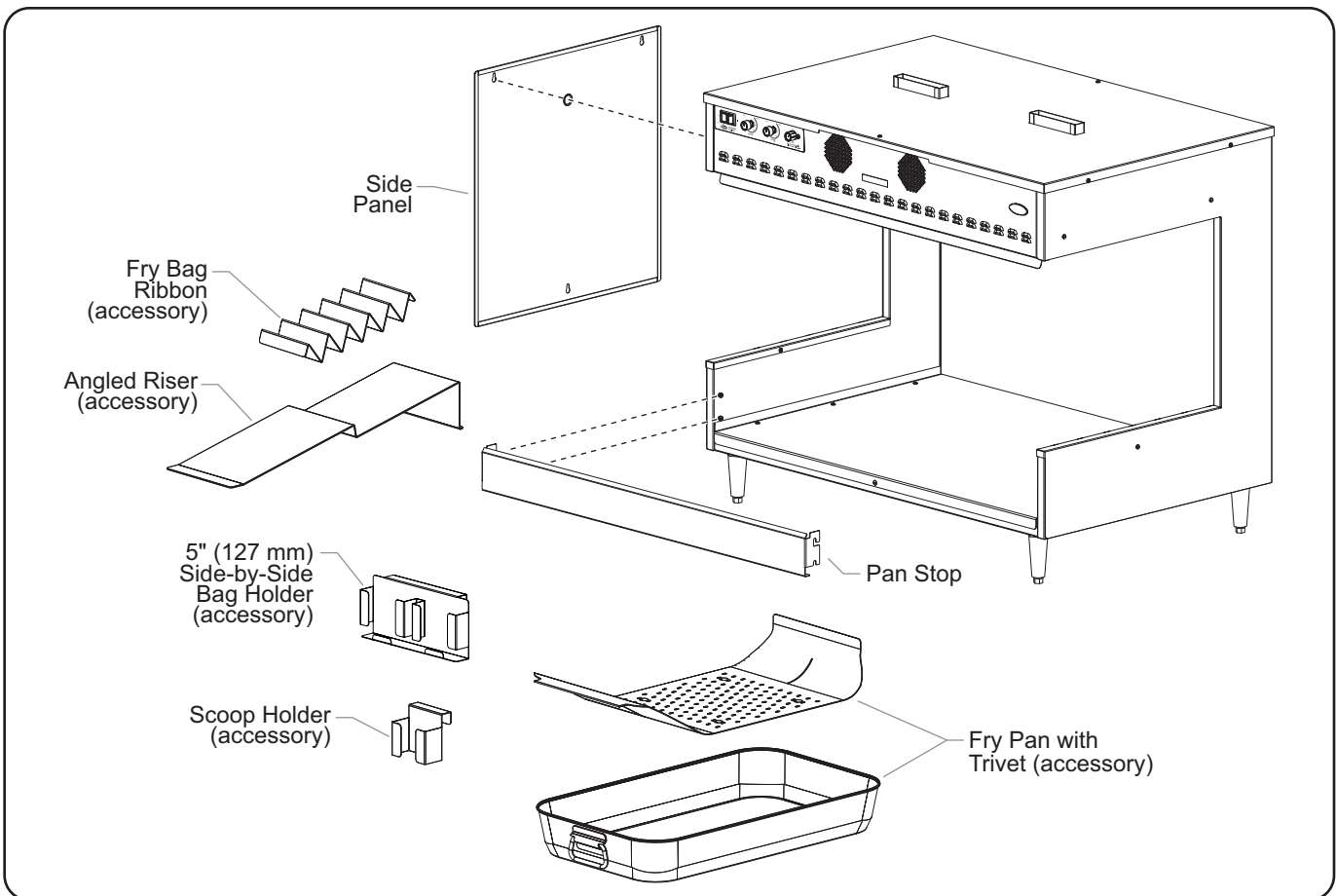


Control Panel

6. Allow 20–30 minutes for the unit to reach operating temperature.

**WARNING**

Do not place food product directly onto hardcoat surface. Food product must be wrapped, boxed, or on a food pan.



Components and Accessories

## General

The Multi-Product Warming Station is designed for maximum durability and performance, with minimum maintenance.



### ELECTRIC SHOCK HAZARD:

- Turn OFF power switch, unplug power cord, and allow unit to cool before performing any cleaning, adjustments, or maintenance.
- DO NOT submerge or saturate with water. Unit is not waterproof. Do not operate if unit has been submerged or saturated with water.
- Do not steam clean or use excessive water on unit.
- This unit is not “jet-proof” construction. Do not use jet-clean spray to clean this unit.
- Use only Genuine Hatco Replacement Parts when service is required. Failure to use Genuine Hatco Replacement Parts will void all warranties and may subject operators of the equipment to hazardous electrical voltage, resulting in electrical shock or burn. Genuine Hatco Replacement Parts are specified to operate safely in the environments in which they are used. Some aftermarket or generic replacement parts do not have the characteristics that will allow them to operate safely in Hatco equipment.

This unit has no “user-serviceable” parts. If service is required on this unit, contact an Authorized Hatco Service Agent or contact the Hatco Service Department at 800-558-0607 or 414-671-6350.



Do not move or relocate unit for cleaning. Unit is bulky and heavy.

## Daily Cleaning

To preserve the finish of the Warming Station, perform the following cleaning procedure daily.



Use non-abrasive cleaners and cloths only. Abrasive cleaners and cloths could scratch finish of unit, marring its appearance and making it susceptible to soil accumulation.

1. Turn off the unit, unplug the power cord, and allow the unit to cool.
2. Remove any accessories for proper cleaning in a dishwasher or wash sink.
3. Remove the pan stop to allow easy cleaning access. To remove:
  - a. Loosen, but don't remove, the mounting screws at each end of the pan stop.
  - b. Lift the pan stop and slide each end off of the mounting screws.
4. Wipe all metal surfaces with a damp cloth. Stubborn stains may be removed with a good, non-abrasive cleaner. Clean hard to reach areas using a small brush and mild soap.
5. Wipe dry all metal surfaces with a clean, dry cloth.
6. Replace the pan stop. Tighten the mounting screws securely.

## Replacing Display Light Bulbs



Use only light bulbs that meet or exceed National Sanitation Foundation (NSF) standards and are specifically designed for food holding areas. Breakage of light bulbs not specially-coated could result in personal injury and/or food contamination.

The display lights are incandescent light bulbs that illuminate the warming area. The bulbs have a special coating to guard against injury and food contamination in the event of breakage.

1. Turn off the unit, unplug the power cord, and allow the unit to cool.
2. Unscrew the light bulb(s) from the unit and replace with a new specially-coated incandescent light bulb(s).

*NOTE: Hatco shatter-resistant light bulbs meet NSF standards for food holding and display areas. For 120/208 and 120/240 V applications, use Hatco P/N 02.30.043.00. For 230 V applications, use Hatco P/N 02.30.058.00.*

**WARNING**

Unit must be serviced by trained and qualified personnel only. Service by unqualified personnel may lead to electric shock or burn.

**WARNING**

**ELECTRIC SHOCK HAZARD:** Turn OFF power switch, unplug power cord, and allow unit to cool before performing any cleaning, adjustments, or maintenance.

Symptom	Probable Cause	Corrective Action
Overhead heat is too hot.	Upper Heat control knob(s) set too high.	Adjust Upper Heat control knob(s) to a lower setting.
	Upper Heat control(s) defective.	Contact Authorized Service Agent or Hatco for assistance.
	Unit plugged into incorrect/high voltage.	Verify that voltage supply matches electrical information listed on the unit.
Overhead heat is not hot enough.	Upper Heat control knob(s) set too low.	Adjust Upper Heat control knob(s) to a higher setting.
	Upper Heat control(s) defective.	Contact Authorized Service Agent or Hatco for assistance.
	Heating elements not working.	Contact Authorized Service Agent or Hatco for assistance.
	Excessive air movement around warming station.	Relocate unit or redirect air movement (i.e. exhaust fans/hoods, air conditioning ducts, or exterior doors) away from unit.
Base heat is too hot.	Base Heat control knob set too high.	Adjust Base Heat control knob to a lower setting.
	Base Heat control defective.	Contact Authorized Service Agent or Hatco for assistance.
	Unit plugged into incorrect/high voltage.	Verify that voltage supply matches electrical information listed on the unit.
Base heat is not hot enough.	Base Heat control knob set too low.	Adjust Base Heat control knob to a higher setting.
	Base Heat control defective.	Contact Authorized Service Agent or Hatco for assistance.
	Base heating element not working.	Contact Authorized Service Agent or Hatco for assistance.
	Excessive air movement around warming station.	Relocate unit or redirect air movement (i.e. exhaust fans/hoods, air conditioning ducts, or exterior doors) away from unit.
No heat.	Heating elements not working.	Contact Authorized Service Agent or Hatco for assistance.
	Temperature controls not working properly.	Contact Authorized Service Agent or Hatco for assistance.
	Unit plugged into incorrect/low voltage.	Verify that voltage supply matches electrical information listed on the unit.
No heat and no lights.	Power I/O (on/off) switch turned O (off).	Move Power I/O (on/off) switch to I (on) position.
	Unit not plugged in or outlet not working.	Plug in unit, have outlet repaired by a certified electrician, or use a different outlet.
	Circuit breaker tripped.	Reset circuit breaker. If circuit breaker continues to trip, contact Authorized Service Agent or Hatco for assistance.
	Power I/O (on/off) switch defective.	Contact Authorized Service Agent or Hatco for assistance.

### Troubleshooting Questions?

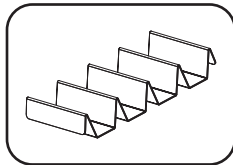
If you continue to have problems resolving an issue, please contact the nearest Authorized Hatco Service Agency or Hatco for assistance. To locate the nearest Service Agency, log onto the Hatco website at [www.hatcocorp.com](http://www.hatcocorp.com) and click on *Find Service Agent*, or contact the **Hatco Parts and Service Team** at:

**Telephone: 800-558-0607 or 414-671-6350**

**e-mail: [partsandservice@hatcocorp.com](mailto:partsandservice@hatcocorp.com)**

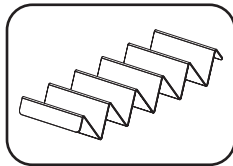
## Four Pleat Fry Box Ribbon (FHS4BOX)

A four (4) pleat, hardcoated fry box ribbon can be ordered as an accessory to hold french fry boxes.



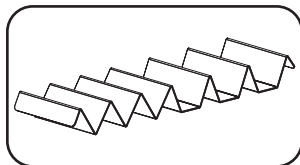
## Five Pleat Fry Bag Ribbon (FHS5BAG)

A five (5) pleat, hardcoated fry bag ribbon can be ordered as an accessory to hold french fry bags.



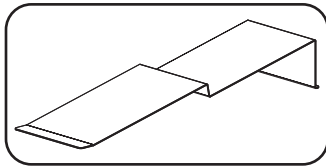
## Six Pleat Bag/Box Ribbon (FHS6BB)

A six (6) pleat, hardcoated combination three fry bags and three box ribbon can be ordered as an accessory to hold french fry bags and boxes.



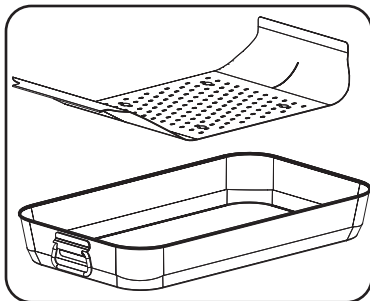
## Angled Riser (MPWS-RISER)

A hardcoated angled riser can be ordered as an accessory to hold two 1/3-size pans.



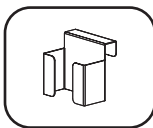
## Fry Pan with Trivet (MPWS-PT)

A fry pan with a trivet can be ordered as an accessory to hold fries or other food product.



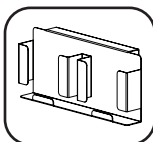
## Scoop Holder (FHS-SH)

A scoop holder can be ordered as an accessory to hold a fry scoop. The scoop holder hangs on the pan stop.



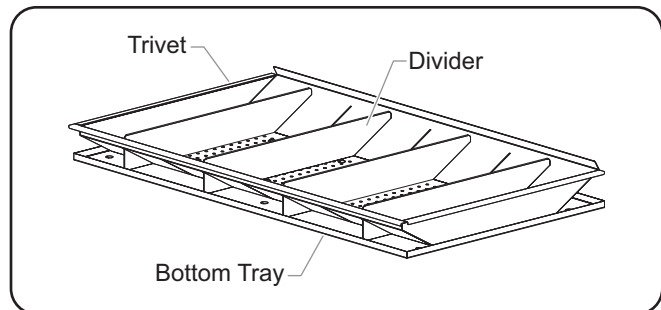
## Bag Holder (5BH)

A 5" (127 mm) side-by-side bag holder can be ordered as an accessory to hold bags. The bag holder hangs on the pan stop.



## Full Fry Bin Insert

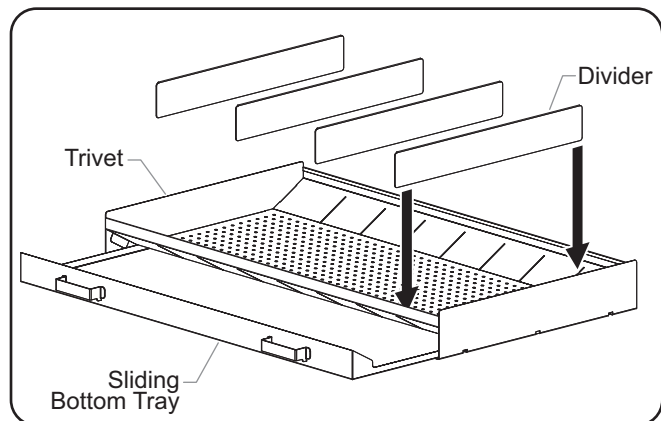
A full fry bin insert is available for all units as an option (must be ordered at time of purchase). The full fry bin insert includes a full size trivet, a bottom tray, and removeable dividers (MPWS-36 inserts (MPWS36BIN) have three dividers and MPWS-45 inserts (MPWS45BIN) have four dividers).



Full Fry Bin Insert (MPWS-45 insert shown)

## Sliding Fry Bin Insert

A sliding fry bin insert is available for all units as an option (must be ordered at time of purchase). The sliding fry bin insert includes a full size trivet, a sliding bottom tray, and removeable dividers (MPWS-36 inserts have three dividers and MPWS-45 inserts have four dividers).



Sliding Fry Bin Insert (MPWS-45 insert shown)

**1. PRODUCT WARRANTY**

Hatco warrants the products that it manufactures (the "Products") to be free from defects in materials and workmanship, under normal use and service, for a period of one (1) year from the date of purchase when installed and maintained in accordance with Hatco's written instructions or 18 months from the date of shipment from Hatco. Buyer must establish the Product's purchase date by registering the Product with Hatco or by other means satisfactory to Hatco in its sole discretion.

Hatco warrants the following Product components to be free from defects in materials and workmanship from the date of purchase (subject to the foregoing conditions) for the period(s) of time and on the conditions listed below:

**a) One (1) Year Parts and Labor PLUS One (1) Additional Year Parts-Only Warranty:**

Conveyor Toaster Elements (metal sheathed)  
 Drawer Warmer Elements (metal sheathed)  
 Drawer Warmer Drawer Rollers and Slides  
 Strip Heater Elements (metal sheathed)  
 Display Warmer Elements (metal sheathed air heating)  
 Holding Cabinet Elements (metal sheathed air heating)  
 Heated Well Elements — HW and HWB Series  
 (metal sheathed)

**b) Two (2) Year Parts and Labor Warranty:**

Induction Ranges

**c) One (1) Year Parts and Labor PLUS Four (4) Years Parts-Only Warranty:**

3CS and FR Tanks

**d) One (1) Year Parts and Labor PLUS Nine (9) Years Parts-Only Warranty on:**

Electric Booster Heater Tanks  
 Gas Booster Heater Tanks

**e) Ninety (90) Day Parts-Only Warranty:**

Replacement Parts

THE FOREGOING WARRANTIES ARE EXCLUSIVE AND IN LIEU OF ANY OTHER WARRANTY, EXPRESSED OR IMPLIED, INCLUDING BUT NOT LIMITED TO ANY IMPLIED WARRANTY OF MERCHANTABILITY OR FITNESS FOR A PARTICULAR PURPOSE OR PATENT OR OTHER INTELLECTUAL PROPERTY RIGHT INFRINGEMENT. Without limiting the generality of the foregoing, SUCH WARRANTIES DO NOT COVER: Coated incandescent light bulbs, fluorescent lights, heat lamp bulbs, coated halogen light bulbs, halogen heat lamp bulbs, xenon light bulbs, LED light tubes, glass components, and fuses; Product failure in booster tank, fin tube heat exchanger, or other water heating equipment caused by liming, sediment buildup, chemical attack, or freezing; or Product misuse, tampering or misapplication, improper installation, or application of improper voltage.

**2. LIMITATION OF REMEDIES AND DAMAGES**

Hatco's liability and Buyer's exclusive remedy hereunder will be limited solely, at Hatco's option, to repair or replacement using new or refurbished parts or Product by Hatco or a Hatco-authorized service agency (other than where Buyer is located outside of the United States, Canada, United Kingdom, or Australia, in which case Hatco's liability and Buyer's exclusive remedy hereunder will be limited solely to replacement of part under warranty) with respect to any claim made within the applicable warranty period referred to above. Hatco reserves the right to accept or reject any such claim in whole or in part. In the context of this Limited Warranty, "refurbished" means a part or Product that has been returned to its original specifications by Hatco or a Hatco-authorized service agency. Hatco will not accept the return of any Product without prior written approval from Hatco, and all such approved returns shall be made at Buyer's sole expense. HATCO WILL NOT BE LIABLE, UNDER ANY CIRCUMSTANCES, FOR CONSEQUENTIAL OR INCIDENTAL DAMAGES, INCLUDING BUT NOT LIMITED TO LABOR COSTS OR LOST PROFITS RESULTING FROM THE USE OF OR INABILITY TO USE THE PRODUCTS OR FROM THE PRODUCTS BEING INCORPORATED IN OR BECOMING A COMPONENT OF ANY OTHER PRODUCT OR GOODS.

Informations Importantes pour le Propriétaire .....	12	Mode d'emploi.....	17
Introduction.....	12	Généralités.....	17
Consignes de Sécurité Importantes .....	13	Maintenance .....	18
Description du Modèle .....	14	Généralités.....	18
Désignation du Modèle .....	14	Nettoyage quotidien.....	18
Caractéristiques Techniques.....	15	Remplacement des ampoules de la vitrine .....	18
Configurations des fiches .....	15	<b>Guide de Dépannage .....</b>	<b>19</b>
Tableau des valeurs nominales électriques.....	15	<b>Options et Accessoires.....</b>	<b>21</b>
Dimensions .....	15	<b>Garantie Limitée.....</b>	<b>22</b>
<b>Installation .....</b>	<b>16</b>	<b>Autorisés Distributeurs de Pièces .....</b>	<b>Couverture Arrière</b>
Généralités.....	16		

## INFORMATIONS IMPORTANTES POUR LE PROPRIÉTAIRE

Notez le numéro de modèle, le numéro de série, la tension et la date d'achat de l'appareil dans les espaces ci-dessous (étiquette des spécifications située au dos de l'appareil). Veuillez avoir cette information à portée de la main si vous appelez Hatco pour assistance.

Modèle No. \_\_\_\_\_

Numéro de série \_\_\_\_\_

Voltage \_\_\_\_\_

Date d'achat \_\_\_\_\_

### Enregistrez votre appareil!

Remplissez la garantie en ligne pour éviter les retards pour faire jouer la garantie. Accédez au site Web Hatco [www.hatcocorp.com](http://www.hatcocorp.com), sélectionnez le menu déroulant Parts & Service, puis cliquez sur Warranty Registration.

### Horaires

ouvrables: 7h00 à 17h00  
Heure du Centre des États-Unis (CST)  
(Horaires d'été : juin à septembre—  
7h00 à 17h00 CST du lundi au jeudi  
7h00 à 16h00 CST le vendredi)

Téléphone: 800-558-0607; 414-671-6350

Courriel: [partsandservice@hatcocorp.com](mailto:partsandservice@hatcocorp.com)



Service d'assistance et de pièces de rechange disponible 7j/7, 24h/24 aux États-Unis et au Canada en composant le 800-558-0607.

Des renseignements supplémentaires sont disponibles sur notre site Web à [www.hatcocorp.com](http://www.hatcocorp.com).

## INTRODUCTION

L'unité chauffante multi-produits Hatco permet de maintenir vos aliments frits et autres aliments préchauffés à des températures de service optimales en cuisine. Elle garde les aliments à des températures de service optimales sans affecter leur qualité.

L'unité chauffante multi-produits permet d'accéder facilement aux aliments et, grâce à la commande de température précise Hatco, veille à la qualité des aliments en toute sécurité. Chaque appareil semi-fermé est équipé d'un système chauffant à infrarouge focalisé, situé au-dessus de la cuve, et d'une base chauffante à contrôle thermostatique, vous permettant ainsi de conserver vos produits frits au chaud plus longtemps. Les éléments chauffants en céramique et la base chauffante sont garantis contre toute rupture et panne électrique pour une période d'un an.

L'unité chauffante multi-produits Hatco est issue d'une recherche poussée et a été testée sur le terrain. Les matériaux utilisés ont été sélectionnés pour une durabilité maximale, une apparence séduisante et des performances optimales. Chaque unité est inspectée et testée minutieusement avant d'être expédiée.

Ce manuel fournit les instructions concernant l'installation, la sécurité et le fonctionnement de l'unité chauffante multi-produits. Hatco vous recommande de lire l'ensemble des instructions d'installation, de sécurité et de fonctionnement contenues dans ce manuel avant d'installer et d'utiliser l'appareil.

Les consignes de sécurité qui apparaissent dans ce manuel sont identifiées par les mots indicateurs suivants :

### **AVERTISSEMENT**

**AVERTISSEMENT** indique une situation dangereuse qui, si elle n'est pas évitée, peut provoquer la mort ou des blessures graves.

### **ATTENTION**

**ATTENTION** indique une situation dangereuse qui, si elle n'est pas évitée, peut provoquer des blessures légères ou moyennes.

### **AVIS**

**AVIS** est utilisé pour des questions sans rapport avec des blessures corporelles.



Lisez l'information de sécurité importante suivante avant d'utiliser cet équipement pour éviter des dommages ou la mort sérieux et pour éviter d'endommager l'équipement ou la propriété.

### AVERTISSEMENT

#### DANGER DE DÉCHARGE ÉLECTRIQUE:

- Brancher l'appareil sur une prise de courant avec terre de tension, de format et de configuration des broches corrects. Si la fiche et la prise ne se correspondent pas, s'adresser à un électricien qualifié pour déterminer et installer une prise de courant de format et de tension corrects.
- Les appareils livrés sans prise électrique requièrent l'installation d'une prise adéquate. Cette prise doit être mise à la terre de manière appropriée. Sa dimension, sa tension ainsi que sa configuration doivent également correspondre aux spécifications de l'appareil. Faites appel à un électricien qualifié pour choisir et installer une prise électrique adéquate.
- Mettez hors tension en utilisant l'interrupteur, débranchez le cordon d'alimentation et laissez l'unité refroidir avant d'effectuer tout nettoyage, tout réglage ou tout entretien.
- NE PAS immerger l'appareil ni le saturer d'eau. L'appareil n'est pas étanche à l'eau. Ne pas le faire fonctionner s'il a été immergé ou saturé d'eau.
- L'appareil n'est pas à l'épreuve des intempéries. Placer l'appareil à l'intérieur à une température ambiante de 21°C minimum.
- Ne nettoyez pas l'unité à la vapeur et n'utilisez pas de l'eau en quantité excessive.
- L'appareil n'est pas résistant aux projections. N'utilisez pas de pulvérisation de jets nettoyants pour nettoyer l'appareil.
- Ne tirez pas l'unité par le cordon d'alimentation.
- Interrompez l'utilisation de l'unité si le cordon d'alimentation est effiloché ou usé.
- N'essayez jamais de réparer ou de remplacer un cordon d'alimentation endommagé. Celui-ci devra être remplacé par un agent de service agréé par Hatco ou une personne possédant des qualifications similaires.
- Cette unité doit être entretenue uniquement par des personnes qualifiées. Un entretien réalisé par des personnes non-qualifiées peut entraîner des décharges électriques ou provoquer des brûlures.
- Utilisez uniquement des pièces de rechange d'origine Hatco lorsque l'entretien est nécessaire. Utilisez des pièces détachées Hatco authentiques sous peine d'annuler toutes les garanties et d'exposer l'utilisateur à des tensions électriques dangereuses pouvant entraîner une électrocution ou des brûlures. Les pièces de rechange authentiques Hatco sont spécifiées pour fonctionner en toute sécurité dans les environnements dans lesquels elles sont utilisées. Certaines pièces de rechange génériques ou d'après-vente n'ont pas les caractéristiques qui leur permettent d'opérer en toute sécurité dans les équipements Hatco.

#### DANGER D'INCENDIE:

- Placez l'unité à au moins 25 mm (1") de murs ou de matières inflammables. Si ces distances de sécurité ne sont pas respectées, une décoloration ou une combustion peut se produire.
- Ne déposez aucun objet combustible sur le dessus de l'appareil.

Ne placez aucun produit alimentaire directement sur une surface à revêtement dur. Les produits alimentaires doivent être emballés, placés dans une boîte ou dans un bac alimentaire.

### AVERTISSEMENT

N'utilisez que des ampoules électriques qui correspondent ou qui sont supérieures aux normes de la Fondation Nationale des Affaires Sanitaires (NSF) et qui sont spécifiquement conçues pour les espaces de conservation des aliments. Les bris d'une ampoule non équipée d'un revêtement adapté peuvent provoquer des dommages corporels et/ou une contamination des aliments.

Assurez-vous que tous les utilisateurs ont reçu des instructions sur une utilisation sûre et adéquate de l'appareil.

Cet appareil n'est pas conçu pour être utilisé par des enfants ou des personnes dont les capacités physiques, sensorielles ou mentales sont limitées. Ne laissez pas les enfants sans surveillance et maintenez-les à l'écart de l'appareil.

Cet appareil ne contient aucune pièce réparable par l'utilisateur. Si cet appareil doit être réparé, contacter un réparateur Hatco agréé ou le Service après-vente Hatco au +1 800-558-0607 ou +1 414-671-6350.

### ATTENTION

**DANGER DE BRÛLURE :** Certaines surfaces extérieures de l'appareil deviennent chaudes. Toucher ces zones de l'appareil avec précaution.

Placer l'appareil sur un plan de travail de hauteur correcte à un endroit qui convient pour son utilisation. Le support doit être de niveau pour éviter toute chute accidentelle du grille-pain ou de son contenu et suffisamment solide pour résister au poids de l'appareil et de son contenu.

Ne déposez aucun objet sur le dessus de l'appareil ; le non-respect de cette consigne pourrait causer des blessures au personnel ou des dommages à l'équipement.

Les graisses standard et approuvées utilisées lors de la fabrication peuvent provoquer des fumées au cours du démarrage initial pendant 30 minutes. Il s'agit d'un état temporaire. Utilisez l'appareil sans produit alimentaire jusqu'à ce que la fumée disparaisse.

La National Sanitation Foundation (NSF) exige que les appareils d'une largeur supérieure à 914 mm (36") ou pesant plus de 36 kg (80 lb) soient fixés sur le plan de travail ou installés au-dessus de ce dernier. Si l'appareil ne peut pas être fixé sur l'emplacement d'utilisation, des pieds de 102 mm (4") sont fournis pour permettre le nettoyage en dessous de l'équipement.

Ne déplacez pas et ne bougez pas l'appareil pour le nettoyer. L'appareil est volumineux et lourd.

### AVIS

Utiliser seulement des nettoyants non abrasifs et des chiffons doux. Les chiffons et nettoyant abrasifs pourraient érafler la finition de l'unité, entachant son apparence et la rendant susceptible à l'accumulation de saleté.

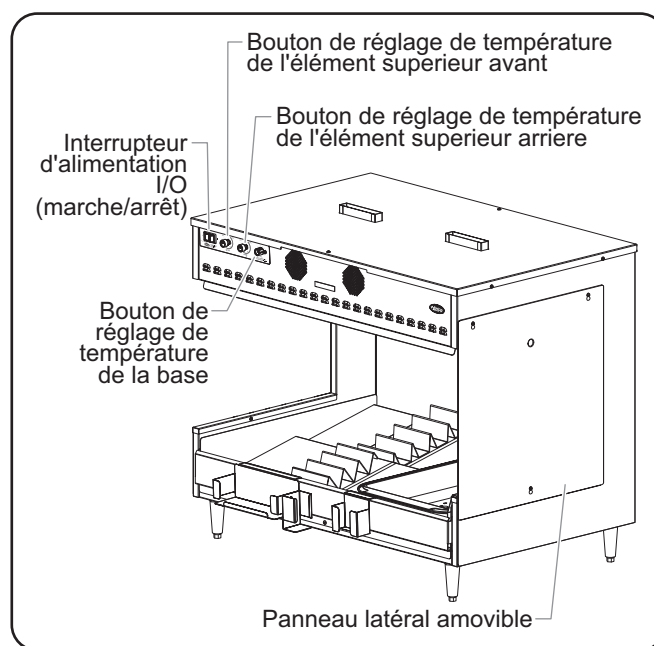
Ne couchez pas l'appareil sur le côté comportant le panneau de commande. Cela pourrait endommager l'appareil.

Ne placez pas l'appareil dans un endroit où la circulation de l'air est trop forte. Évitez les zones pouvant être soumises à des mouvements d'air ou à des courants d'air actifs (c.-à-d. à proximité de ventilateurs / capots d'échappement, conduites de climatisation et portes donnant sur l'extérieur).

## Tous les modèles

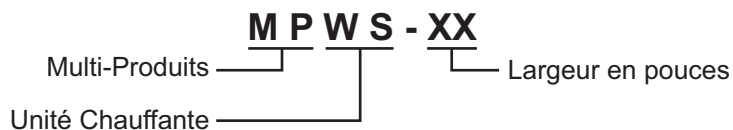
L'unité chauffante multi-produits Hatco permet de maintenir vos aliments frits et autres aliments préchauffés à des températures de service optimales en cuisine. L'unité chauffante est composée d'aluminium et d'acier inoxydable. La mise sous tension de l'appareil se fait au moyen d'un interrupteur d'alimentation I/O (marche/arrêt). L'appareil est équipé de 6 éléments chauffants en céramique suspendus et d'un élément chauffant à la base. La température des éléments chauffants en céramique suspendus est ajustée à l'aide de 2 commandes à progression électronique séparées : l'une pour les éléments à l'arrière et l'autre pour les éléments à l'avant. La température de l'élément chauffant de la base est ajustée au moyen d'une commande thermostatique. Le panneau latéral amovible peut être installé d'un côté ou de l'autre de l'appareil.

Vous pouvez disposer de nombreux accessoires pour personnaliser l'unité chauffante multi-produits. Pour plus de détails, reportez-vous à la section OPTIONS ET ACCESSOIRES.



MPWS-45 (illustré avec les accessoires)

## DÉSIGNATION DU MODÈLE



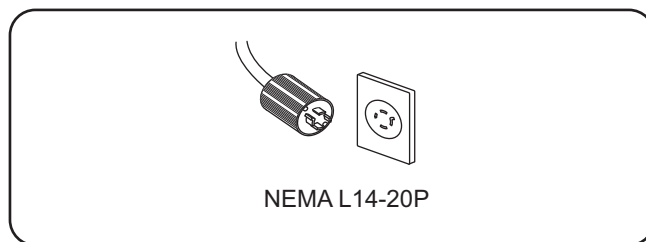
### Configurations des fiches

Les unités sont fournies par l'usine avec un cordon et une prise électriques déjà installés. Les fiches fournies correspondent à leur application.

#### ⚠ AVERTISSEMENT

#### DANGER DE DÉCHARGE ÉLECTRIQUE:

- Brancher l'appareil sur une prise de courant avec terre de tension, de format et de configuration des broches corrects. Si la fiche et la prise ne se correspondent pas, s'adresser à un électricien qualifié pour déterminer et installer une prise de courant de format et de tension corrects.
- Les appareils livrés sans prise électrique requièrent l'installation d'une prise adéquate. Cette prise doit être mise à la terre de manière appropriée. Sa dimension, sa tension ainsi que sa configuration doivent également correspondre aux spécifications de l'appareil. Faites appel à un électricien qualifié pour choisir et installer une prise électrique adéquate.



NEMA L14-20P

Configurations des fiches

NOTA: Prise non fournie par Hatco.

NOTA: Étiquette des spécifications située au dos de l'appareil. Veuillez vous reporter à l'étiquette du numéro de série et des données électriques de l'appareil.

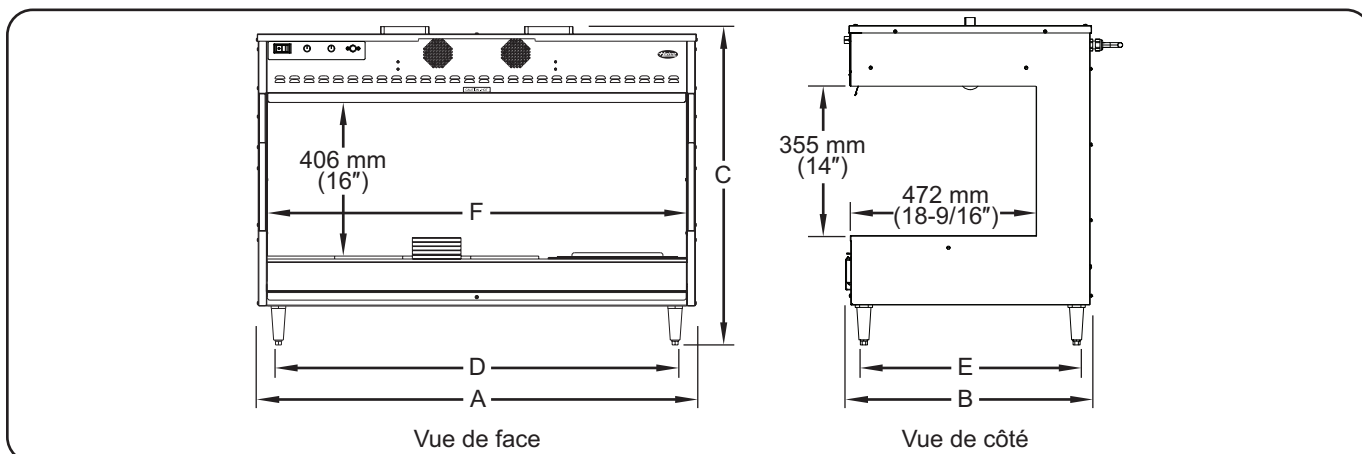
### Tableau des valeurs nominales électriques

Modèle	Tension	Intensité	Amps	Configuration de Fiches	Poids d'embarquement
MPWS-36	120/208Y	2773	14.2	NEMA L-14-20P	69 kg (152 lbs.)
	120/240	2755	12.5	NEMA L-14-20P	69 kg (152 lbs.)
	230	3075	13.4	Cordon sans prise	69 kg (152 lbs.)
MPWS-45	120/208Y	2799	14.3	NEMA L-14-20P	77 kg (170 lbs.)
	120/240	2780	12.6	NEMA L-14-20P	77 kg (170 lbs.)
	230	3108	13.5	Cordon sans prise	77 kg (170 lbs.)

Les zones grisées contiennent des informations électriques pour les modèles internationaux uniquement.

### Dimensions

Modèle	Largeur (A)	Profondeur (B)	Hauteur (C)	Largeur d'encombrement (D)	Profondeur d'encombrement (E)	Largeur d'ouverture (F)
MPWS-36	947 mm (37-5/16")	626 mm (24-11/16")	832 mm (32-3/4")	851 mm (33-1/2")	559 mm (22")	897 mm (35-1/4")
MPWS-45	1150 mm (45-5/16")	626 mm (24-11/16")	832 mm (32-3/4")	1054 mm (41-1/2")	559 mm (22")	1100 mm (43-1/4")



## Généralités

L'unité chauffante multi-produits Hatco est fournie avec la plupart des composants pré-assemblés. Veillez à ne pas endommager l'appareil et les composants qu'il renferme lors du déballage du carton d'expédition.

### **⚠ AVERTISSEMENT**

#### DANGER DE DÉCHARGE ÉLECTRIQUE:

- Les appareils livrés sans prise électrique requièrent l'installation d'une prise adéquate. Cette prise doit être mise à la terre de manière appropriée. Sa dimension, sa tension ainsi que sa configuration doivent également correspondre aux spécifications de l'appareil. Faites appel à un électricien qualifié pour choisir et installer une prise électrique adéquate.
- L'appareil n'est pas à l'épreuve des intempéries. Placer l'appareil à l'intérieur à une température ambiante de 21°C minimum.

#### DANGER D'INCENDIE:

- Placez l'unité à au moins 25 mm (1") de murs ou de matières inflammables. Si ces distances de sécurité ne sont pas respectées, une décoloration ou une combustion peut se produire.
- Ne déposez aucun objet combustible sur le dessus de l'appareil.

### **⚠ ATTENTION**

Placer l'appareil sur un plan de travail de hauteur correcte à un endroit qui convient pour son utilisation. Le support doit être de niveau pour éviter toute chute accidentelle du grille-pain ou de son contenu et suffisamment solide pour résister au poids de l'appareil et de son contenu.

Ne déposez aucun objet sur le dessus de l'appareil ; le non-respect de cette consigne pourrait causer des blessures au personnel ou des dommages à l'équipement.

### **AVIS**

Ne couchez pas l'appareil sur le côté comportant le panneau de commande. Cela pourrait endommager l'appareil.

Ne placez pas l'appareil dans un endroit où la circulation de l'air est trop forte. Évitez les zones pouvant être soumises à des mouvements d'air ou à des courants d'air actifs (c.-à-d. à proximité de ventilateurs / capots d'échappement, conduites de climatisation et portes donnant sur l'extérieur).

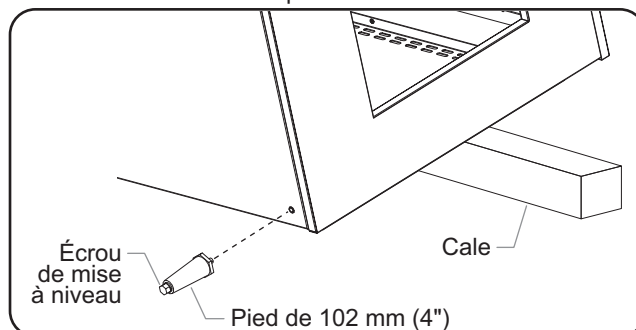
1. Retirez l'appareil du carton de livraison et retirez tous les éléments d'emballage

*NOTA: Pour éviter des retards dans l'obtention de la couverture de la garantie, complétez l'enregistrement en ligne de votre garantie. Lisez la section INFORMATIONS IMPORTANTES POUR LE PROPRIÉTAIRE pour plus de détails.*

2. Retirez le ruban et l'emballage de protection de toutes les surfaces de l'appareil.

3. Montez les pieds de 10,2 cm (4"). Cette étape nécessite deux personnes.

- a. Munissez-vous d'une cale en bois ou d'une pièce similaire qui pourra supporter l'appareil lors de l'installation des pieds. Cette cale devra être suffisamment large pour éviter que l'appareil ne repose sur le cordon d'alimentation et le réducteur de tension lorsqu'il est basculé en arrière.
- b. Faites basculer soigneusement l'appareil vers l'arrière et posez-le sur la cale.
- c. Installez chaque pied. Serrez les pieds manuellement jusqu'à ce qu'ils soient bien ajustés. Ne serrez pas trop fort.
- d. Soulevez/retournez doucement l'appareil pour le remettre en position verticale. Ne balancez pas l'appareil vers l'avant sur ses pieds arrière.



Installation des pieds

4. Placer l'appareil à l'endroit souhaité. Cette étape nécessite deux personnes.

- Placez l'unité dans une zone dont la température ambiante est constante 21°C minimum (70°F). Évitez les endroits susceptibles d'activer les mouvements ou les courants d'air (c.-à-d. à proximité de ventilateurs / capots d'échappement, conduites de climatisation et portes donnant sur l'extérieur).
- S'assurer que l'appareil est sur un plan de travail de hauteur correcte à un endroit qui convient pour son utilisation.
- Veillez à ce que le comptoir soit plat et assez résistant pour supporter le poids de l'unité et des produits alimentaires.
- Veuillez vous assurer que tous les pieds en dessous de l'unité sont fermement positionnés sur le comptoir.

5. Si nécessaire, mettez l'appareil à niveau en tournant l'écrou de mise à niveau sur chaque pied. Au bas de l'appareil, tournez les pieds dans le sens inverse des aiguilles d'une montre pour les allonger ou dans le sens des aiguilles d'une montre pour les raccourcir.

6. Installez le panneau latéral sur le côté de l'appareil de votre choix.

- a. Alignez les têtes de vis avec les larges orifices situés sur le panneau latéral.
- b. Appuyez pour bien l'emboîter.

7. Installez les accessoires qui accompagnent l'appareil. Pour plus de détails, reportez-vous à la section OPTIONS ET ACCESSOIRES.

8. Pour les appareils sans prise, demandez à un électricien qualifié d'installer la prise adéquate sur le cordon. La prise doit être mise à la terre de manière appropriée. Sa tension, sa dimension et sa configuration doivent également correspondre aux caractéristiques techniques de l'appareil. Consultez la section CARACTÉRISTIQUES pour obtenir plus de détails.

## Généralités

Utilisez la procédure suivante pour utiliser l'unité chauffante multi-produits.

### ⚠ AVERTISSEMENT

Lire tous les messages de sécurité de la section Consignes de sécurité importantes avant d'utiliser ce matériel.

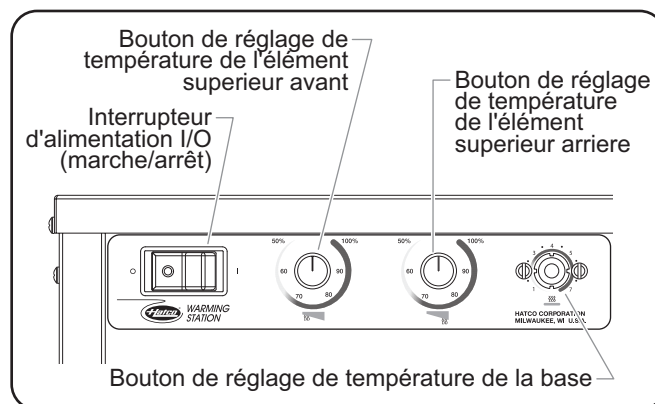
### ⚠ ATTENTION

**DANGER DE BRÛLURE:** Certaines surfaces extérieures de l'appareil deviennent chaudes. Toucher ces zones de l'appareil avec précaution.

Les graisses standard et approuvées utilisées lors de la fabrication peuvent provoquer des fumées au cours du démarrage initial pendant 30 minutes. Il s'agit d'un état temporaire. Utilisez l'appareil sans produit alimentaire jusqu'à ce que la fumée disparaisse.

1. Branchez l'appareil à une prise correctement reliée à la terre et possédant la tension, la dimension et la configuration adéquates. Consultez la section CARACTÉRISTIQUES pour obtenir plus de détails.
2. Placez l'interrupteur d'alimentation I/O (marche/arrêt) sur I (marche) (situé à l'avant de l'appareil). Les lumières de la vitrine s'allument.
3. Tournez le bouton de réglage de température de l'élément supérieur avant pour sélectionner la température souhaitée.
4. Tournez le bouton de réglage de température de l'élément supérieur arrière pour sélectionner la température souhaitée.

5. Tournez le bouton de réglage de température de la base pour sélectionner la température souhaitée.

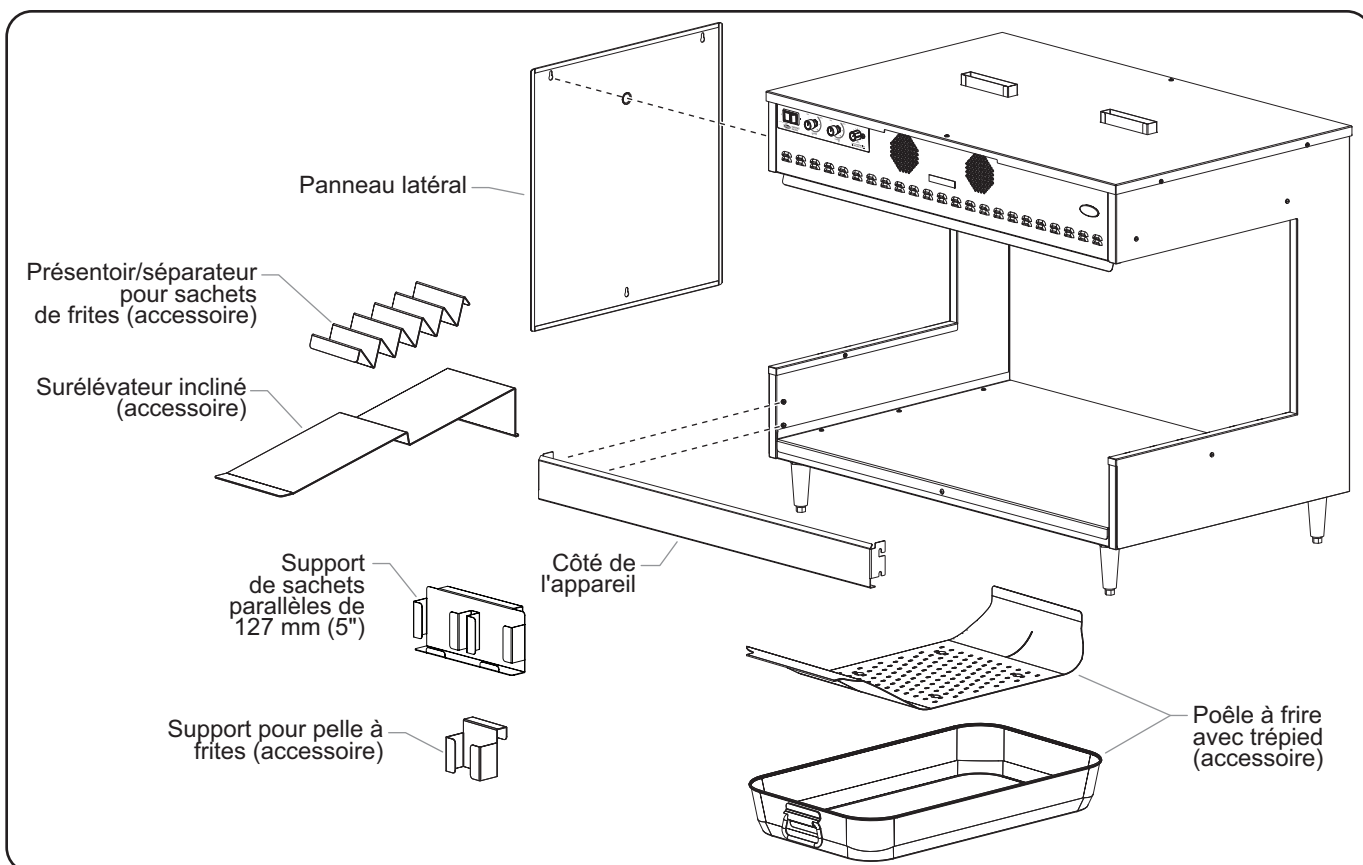


Panneau de contrôle

6. Patientez 20 à 30 minutes afin d'atteindre une température de fonctionnement convenable.

### ⚠ AVERTISSEMENT

Ne placez aucun produit alimentaire directement sur une surface à revêtement dur. Les produits alimentaires doivent être emballés, placés dans une boîte ou dans un bac alimentaire.



Composants et accessoires

## Généralités

L'unité chauffante multi-produits est conçue pour une durabilité et des performances maximum, avec un minimum d'entretien.

### AVERTISSEMENT

#### DANGER DE DÉCHARGE ÉLECTRIQUE:

- Turn OFF power switch, unplug power cord, and allow unit to cool before performing any cleaning, adjustments, or maintenance.
- **NE PAS immerger l'appareil ni le saturer d'eau. L'appareil n'est pas étanche à l'eau. Ne pas le faire fonctionner s'il a été immergé ou saturé d'eau.**
- **Ne nettoyez pas l'unité à la vapeur et n'utilisez pas de l'eau en quantité excessive.**
- **Cette unité doit être entretenue uniquement par des personnes qualifiées. Un entretien réalisé par des personnes non-qualifiées peut entraîner des décharges électriques ou provoquer des brûlures.**
- **Utilisez uniquement des pièces de rechange d'origine Hatco lorsque l'entretien est nécessaire. Utilisez des pièces détachées Hatco authentiques sous peine d'annuler toutes les garanties et d'exposer l'utilisateur à des tensions électriques dangereuses pouvant entraîner une électrocution ou des brûlures. Les pièces de rechange authentiques Hatco sont spécifiées pour fonctionner en toute sécurité dans les environnements dans lesquels elles sont utilisées. Certaines pièces de rechange génériques ou d'après-vente n'ont pas les caractéristiques qui leur permettent d'opérer en toute sécurité dans les équipements Hatco.**

Cet appareil ne contient aucune pièce réparable par l'utilisateur. Si cet appareil doit être réparé, contacter un réparateur Hatco agréé ou le Service après-vente Hatco au +1 800-558-0607 ou +1 414-671-6350.

### ATTENTION

Ne déplacez pas et ne bougez pas l'appareil pour le nettoyer. L'appareil est volumineux et lourd.

## Nettoyage quotidien

Pour préserver les finitions de l'armoire chauffante, suivez quotidiennement les procédures de nettoyage suivantes.

### AVIS

Utiliser seulement des nettoyeurs non abrasifs et des chiffons doux. Les chiffons et nettoyeurs abrasifs pourraient érafler la finition de l'unité, entachant son apparence et la rendant susceptible à l'accumulation de saleté.

1. Placez l'interrupteur d'alimentation I/O (marche/arrêt) sur la position O (arrêt), débranchez le cordon d'alimentation et laissez l'unité refroidir.
2. Retirez tous les accessoires pour les laver au lave-vaisselle ou à la main.
3. Retirez le côté de l'appareil pour faciliter le nettoyage. Pour ce faire :
  - a. Desserrez, sans les enlever, les vis de montage à chaque extrémité du côté de l'appareil.
  - b. Soulevez le côté de l'appareil et faites glisser chaque extrémité des vis de montage.
4. Essayez toutes les surfaces métalliques avec un chiffon humide. Les tâches persistantes pourront être retirées à l'aide d'un détergent efficace et non-abrasif. Nettoyez les zones difficiles d'accès à l'aide d'une petite brosse et de savon doux.
5. Essayez toutes les surfaces métalliques à l'aide d'un chiffon propre et sec.
6. Remettez en place le côté de l'appareil. Serrez fermement les vis de montage.

## Remplacement des ampoules de la vitrine

### AVERTISSEMENT

N'utilisez que des ampoules électriques qui correspondent ou qui sont supérieures aux normes de la Fondation Nationale des Affaires Sanitaires (NSF) et qui sont spécifiquement conçues pour les espaces de conservation des aliments. Les bris d'une ampoule non équipée d'un revêtement adapté peuvent provoquer des dommages corporels et/ou une contamination des aliments.

L'éclairage de la vitrine se compose d'ampoules incandescentes qui éclairent la zone de chauffage. Les ampoules sont recouvertes d'un enduit spécial pour pallier toute blessure et toute contamination des éléments en cas de casse.

1. Éteignez l'appareil, débranchez le cordon d'alimentation et laissez l'appareil refroidir.
2. Dévissez les ampoules lumineuses de l'appareil, et remplacez-les par de nouvelles ampoules lumineuses incandescentes avec un enduit spécial.

*NOTA: Hatco shatter-resistant light bulbs meet NSF standards for food holding and display areas. Pour les utilisations avec une tension de 120/208 V et 120/240 V, utilisez les références Hatco [02.30.043.00](#). Pour les utilisations avec une tension de 230 V, utilisez les références Hatco [02.30.058.00](#).*

**⚠ AVERTISSEMENT**

La réparation de cet appareil doit être confiée exclusivement à du personnel qualifié. Les réparations par des personnes non qualifiées peuvent provoquer des décharges électriques et des brûlures.

**⚠ AVERTISSEMENT**

**DANGER DE DÉCHARGE ÉLECTRIQUE:** Mettez hors tension en utilisant l'interrupteur, débranchez le cordon d'alimentation et laissez l'unité refroidir avant d'effectuer tout nettoyage, tout réglage ou tout entretien.

Symptômes	Causes Probables	Action Correctrice
La chaleur fournie par le dispositif chauffant suspendu est trop élevée.	Le réglage du/des bouton(s) de température du/des l'élément(s) supérieur(s) est trop élevé.	Diminuez le réglage du/des bouton(s) de température du/des l'élément(s) supérieur(s).
	Le/les bouton(s) de température du/des l'élément(s) supérieur(s) est/sont défectueux.	Contactez votre agent de maintenance agréé ou Hatco pour toute demande d'assistance.
	La tension appliquée à l'appareil est trop élevée/incorrecte.	Vérifiez que la tension de l'alimentation correspond aux caractéristiques électriques indiquées sur l'appareil.
La chaleur fournie par le dispositif chauffant suspendu est trop basse.	Le réglage du/des bouton(s) de température du/des l'élément(s) supérieur(s) est trop bas.	Augmentez le réglage du/des bouton(s) de température du/des l'élément(s) supérieur(s).
	Le/les bouton(s) de température du/des l'élément(s) supérieur(s) est/sont défectueux.	Contactez votre agent de maintenance agréé ou Hatco pour toute demande d'assistance.
	Les dispositifs chauffants ne fonctionnent pas.	Contactez votre agent de maintenance agréé ou Hatco pour toute demande d'assistance.
	Il y a une circulation d'air trop intense autour de l'unité chauffante.	Déplacez l'appareil ou dirigez la circulation d'air (ex : la gaine de climatisation ou le ventilateur d'extraction) à distance de l'appareil.
La chaleur fournie par la base est trop élevée.	Le réglage du bouton de réglage de température de la base est trop élevé.	Baissez le réglage du bouton de réglage de température de la base.
	Le bouton de réglage de température de la base est défectueux.	Contactez votre agent de maintenance agréé ou Hatco pour toute demande d'assistance.
	La tension appliquée à l'appareil est trop élevée/incorrecte.	Vérifiez que la tension de l'alimentation correspond aux caractéristiques électriques indiquées sur l'appareil.
La chaleur fournie par la base est trop basse.	Le réglage du bouton de réglage de température de la base est trop bas.	Augmentez le réglage du bouton de réglage de température de la base.
	Le bouton de réglage de température de la base est défectueux.	Contactez votre agent de maintenance agréé ou Hatco pour toute demande d'assistance.
	Le dispositif chauffant de la base ne fonctionne pas.	Contactez votre agent de maintenance agréé ou Hatco pour toute demande d'assistance.
	Il y a une circulation d'air trop intense autour de l'unité chauffante.	Déplacez l'appareil ou dirigez la circulation d'air (ex : la gaine de climatisation ou le ventilateur d'extraction) à distance de l'appareil.
Pas de chaleur.	Les éléments chauffants ne fonctionnent pas.	Contactez votre agent de maintenance agréé ou Hatco pour toute demande d'assistance.
	Le thermostat ne fonctionne pas correctement.	Contactez votre agent de maintenance agréé ou Hatco pour toute demande d'assistance.
	La tension appliquée à l'appareil est trop basse/incorrecte.	Vérifiez que la tension de l'alimentation correspond aux caractéristiques électriques indiquées sur l'appareil.
Pas de chaleur ni de lumière.	L'interrupteur d'alimentation I/O (marche/arrêt) est sur la position O (arrêt).	Mettez l'interrupteur d'alimentation I/O (marche/arrêt) sur la position I (marche).
	L'appareil n'est pas branché ou la prise de courant ne fonctionne pas.	Branchez l'appareil, faites appel à un électricien agréé pour réparer la prise de courant, ou utilisez une autre prise de courant.
	Le coupe-circuit a disjoncté.	Réinitialisez le disjoncteur. Si le coupe-circuit continue de disjoncter, contactez un agent de service agréé ou Hatco pour obtenir une assistance.
	L'interrupteur d'alimentation I/O (marche/arrêt) est défectueux.	Contactez votre agent de maintenance agréé ou Hatco pour toute demande d'assistance.

## **Vous avez des questions en ce qui concerne les pannes ?**

Si le problème persiste, veuillez contacter l'agence d'entretien agréée Hatco la plus proche ou Hatco pour obtenir une assistance. Pour trouver l'agence d'entretien la plus proche, rendez-vous sur le site Internet de Hatco ([www.hatcocorp.com](http://www.hatcocorp.com)) et cliquez sur Trouver un agent d'entretien, ou contactez **l'équipe d'entretien et de pièces détachées de Hatco** :

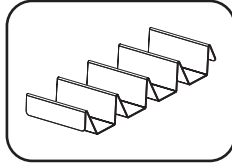
**Numéro de**

**téléphone:** 800-558-0607 ou 414-671-6350

**Courriel:** [partsandservice@hatcocorp.com](mailto:partsandservice@hatcocorp.com)

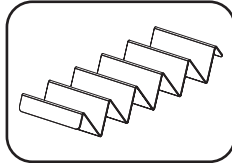
**Présentoir/séparateur pour boîtes de frites à 4 plis (FHS4BOX)**

Un présentoir à cornets de frites à quatre (4) plis à revêtement dur peut être commandé pour servir de support pour les cornets de frites.



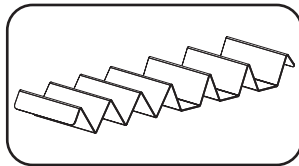
**Présentoir/séparateur pour sachets de frites à 5 plis (FHS5BAG)**

Un présentoir à sachets de frites à cinq (5) plis à revêtement dur peut être commandé pour servir de support pour les sachets de frites.



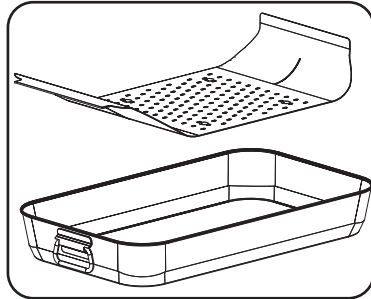
**Présentoir/séparateur pour boîtes/sachets de frites à 6 plis (FHS6BB)**

Un présentoir mixte pour trois sachets et trois cornets de frites à six (6) plis à revêtement dur peut être commandé pour servir de support pour les sachets et les cornets de frites.



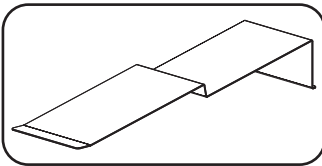
**Poêle à frire avec trépied (MPWS-PT)**

Une poêle à frire avec trépied peut être commandée pour poser les frites et autres aliments.



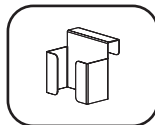
**Surélévateur incliné (MPWS-RISER)**

Un surélévateur incliné à revêtement dur peut être commandé pour permettre de poser deux poêles de petite taille (1/3).



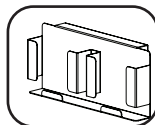
**Support pour pelle (Réf. 04.25.413.00)**

Un support pour pelle à frites peut être commandé pour poser la pelle à frites. Le support pour pelle à frites se suspend sur un des côtés de l'appareil.



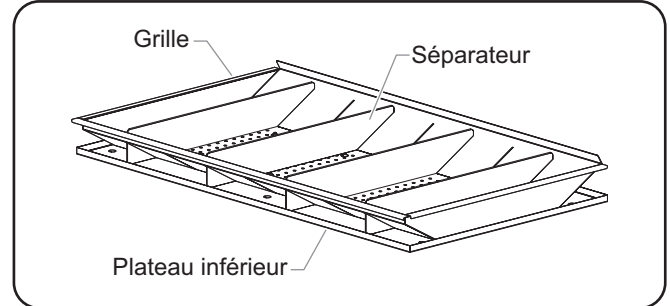
**Support de sachets (5BH)**

Un support de sachets parallèles de 127 mm (5 po) peut être commandé pour poser les sachets. Le support de sachets se suspend à l'extrémité de la poêle.



**Récipient encastrable complet pour frites**

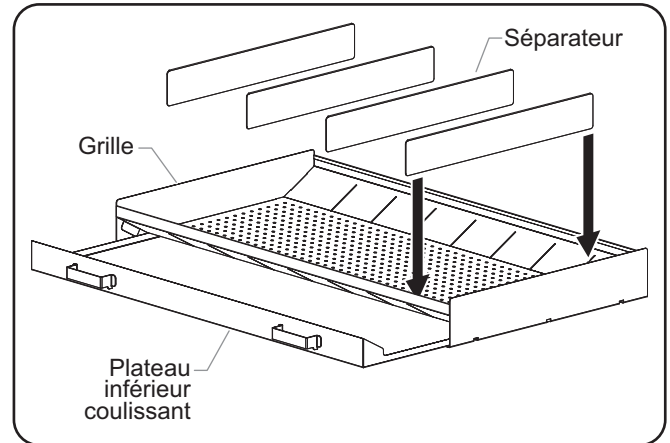
Un bac encastrable intégral pour frites existe en option pour tous les appareils (à commander au moment de l'achat). Le récipient encastrable complet pour frites comporte une grille de grande taille, un plateau inférieur et des séparateurs amovibles (Les récipients MPWS-36 (MPWS36BIN) sont équipés de 3 séparateurs et les récipients MPWS-45 (MPWS45BIN) en ont 4).



Récipient encastrable complet pour frites (Illustration du récipient MPWS-45)

**Récipient encastrable pour frites coulissant**

Un bac encastrable coulissant pour frites existe en option pour tous les appareils (à commander au moment de l'achat). Le récipient encastrable pour frites coulissant comporte une grille de grande taille, un plateau inférieur coulissant et des séparateurs amovibles (Les récipients MPWS-36 sont équipés de 3 séparateurs et les récipients MPWS-45 en ont 4).



Récipient encastrable pour frites coulissant (illustration du récipient MPWS-45)

## 1. GARANTIE DU PRODUIT

Hatco garantit que les produits qu'il fabrique (les « Produits ») sont exempts de défauts de matériel et de fabrication, dans des conditions normales d'utilisation et de maintenance, pour une période d'un (1) an à partir de la date d'achat à condition que l'appareil soit installé et entretenu conformément aux instructions écrites de Hatco ou 18 mois après la date de l'expédition par Hatco. L'acheteur doit prouver la date d'achat du Produit par l'enregistrement du produit auprès de Hatco ou par d'autres moyens satisfaisants pour Hatco, à sa seule discrétion.

Hatco garantit que les composants du Produit suivants sont exempts de défauts de matériel et de fabrication à partir de la date d'achat (sous réserve des conditions précédentes) pour la ou les périodes de temps et en fonction des conditions listées ci-dessous :

**a) Garantie d'un (1) an pour les pièces et la main-d'œuvre PLUS un an (1) supplémentaire pour les pièces uniquement :**

Éléments du grille-pain à convoyeur (enveloppe métallique)  
 Éléments des tiroirs chauffants (enveloppe métallique)  
 Tiroirs, roues et glissières des tiroirs chauffants  
 Éléments des rampes chauffantes (enveloppe métallique)  
 Éléments des vitrines chauffantes  
 (enveloppe métallique, air chauffant)  
 Éléments des armoires de stockage  
 (enveloppe métallique, air chauffant)  
 Éléments des compartiments chauffants —  
 série HW et HWB (enveloppe métallique)

**b) Garantie de deux (2) ans pour les pièces et la main-d'œuvre :**

Gammes à induction

**c) Garantie d'un (1) an pour les pièces et la main-d'œuvre PLUS quatre (4) ans pour les pièces uniquement :**  
 Cuves 3CS et FR

**d) Garantie d'un (1) an pour les pièces et la main-d'œuvre PLUS neuf (9) ans pour les pièces uniquement :**

Cuves des appareils de chauffage d'appoint électriques  
 Cuves des appareils de chauffage d'appoint à gaz

**e) Garantie de quatre-vingt-dix (90) jours pour les pièces uniquement :**

Pièces de rechange

LES GARANTIES PRÉCÉDENTES SONT EXCLUSIVES ET REMPLACENT TOUTES AUTRES GARANTIES, EXPRESSES OU IMPLICITES, COMPRENANT, MAIS NE SE LIMITANT PAS À, TOUTES GARANTIES IMPLICITES DE QUALITÉ MARCHANDE OU DE FINALITÉ PARTICULIÈRE OU TOUS BREVETS OU TOUTES AUTRES ATTEINTES AUX DROITS DE LA PROPRIÉTÉ INTELLECTUELLE. Sans restreindre la portée générale des énoncés précédents, CES GARANTIES NE COUVRENT PAS : Ampoules d'éclairage à incandescence enduites, lumières fluorescentes, ampoules de lampes chauffantes, ampoules d'éclairage à halogène enduites, ampoules de lampes chauffantes au xénon, tubes d'éclairage DEL, composants en verre et fusibles ; défaut de produit dans la cuve d'un appareil de chauffage d'appoint, dans un échangeur de chaleur à tubes à ailettes ou tout autre équipement de chauffage d'eau causé par la calcification, l'accumulation de sédiments, la réaction d'un produit chimique ou le gel ; ou une mauvaise utilisation, une manipulation ou une mauvaise application, une installation inappropriée du Produit ou l'utilisation d'une tension inappropriée.

## 2. LIMITES DES RECOURS ET DES DOMMAGES

La responsabilité de Hatco et la seule voie de recours de l'Acheteur prévues par les présentes seront limitées exclusivement, au gré de Hatco, à la réparation ou au remplacement à l'aide de pièces ou de Produits nouveaux ou remis à neuf par Hatco ou un centre de réparation agréé par Hatco (sauf si l'Acheteur se situe hors des États-Unis, du Canada, du Royaume-Uni ou de l'Australie, auquel cas la responsabilité de Hatco et la seule voie de recours de l'Acheteur seront limitées exclusivement au remplacement des pièces concernées par la garantie) à l'égard de toute revendication effectuée dans les délais de garantie applicables mentionnés ci-dessus. Hatco se réserve le droit d'accepter ou de rejeter toute réclamation en partie ou dans son intégralité. Dans le cadre de cette Garantie limitée, « remis à neuf » signifie une pièce ou un Produit dont les caractéristiques techniques d'origine ont été restaurées par Hatco ou un centre de réparation agréé par Hatco. Hatco n'acceptera aucun retour de Produits sans qu'il n'ait auparavant donné son accord écrit, et tous ces retours approuvés doivent être effectués aux seuls frais de l'Acheteur. HATCO NE SERA PAS TENU RESPONSABLE, DANS AUCUNE CIRCONSTANCE, DES DOMMAGES CONSÉCUTIFS OU INDIRECTS, COMPRENANT, MAIS NE SE LIMITANT PAS À, LES COÛTS DE MAIN-D'ŒUVRE OU PERTES DE PROFITS DUS À UNE UTILISATION OU À UNE IMPOSSIBILITÉ D'UTILISER LES PRODUITS OU DUS AU FAIT QUE LES PRODUITS ONT ÉTÉ INTÉGRÉS DANS OU QU'ILS SONT DEVENUS UN COMPOSANT DE TOUT AUTRE PRODUIT OU BIEN.



# AUTHORIZED PARTS DISTRIBUTORS • DISTRIBUTEURS DE PIÈCES AUTORISÉS

## ALABAMA

Jones McLeod Appl. Svc.  
Birmingham 205-251-0159

## ARIZONA

Service Solutions Group  
Phoenix 602-234-2443

Byassee Equipment Co.  
Phoenix 602-252-0402

## CALIFORNIA

Industrial Electric  
Commercial Parts & Service, Inc.  
Huntington Beach 714-379-7100

Chapman Appl. Service  
San Diego 619-298-7106

P & D Appliance  
Commercial Parts & Service, Inc.  
S. San Francisco 650-635-1900

## COLORADO

Hawkins Commercial Appliance  
Englewood 303-781-5548

## FLORIDA

Whaley Foodservice Repair  
Jacksonville 904-725-7800

Whaley Foodservice Repair  
Orlando 407-757-0851

B.G.S.I.  
Pompano Beach 954-971-0456

Comm. Appliance Service  
Tampa 813-663-0313

## GEORGIA

TWC Services  
Mableton 770-438-9797

Heritage Service Group  
Norcross 866-388-9837

Southeastern Rest. Svc.  
Norcross 770-446-6177

## HAWAII

Burney's Comm. Service, Inc.  
Honolulu 808-848-1466

Food Equip Parts & Service  
Honolulu 808-847-4871

## ILLINOIS

Parts Town  
Lombard 708-865-7278

Eichenauer Elec. Service  
Decatur 217-429-4229

Midwest Elec. Appl. Service  
Elmhurst 630-279-8000

Cone's Repair Service  
Moline 309-797-5323

## INDIANA

GCS Service  
Indianapolis 800-727-8710

## IOWA

Goodwin Tucker Group  
Des Moines 515-262-9308

## KENTUCKY

Service Solutions Group  
Lexington 859-254-8854

Service Solutions Group  
Louisville 502-451-5411

## LOUISIANA

Chandlers Parts & Service  
Baton Rouge 225-272-6620

## MARYLAND

Electric Motor Service  
Baltimore 410-467-8080

GCS Service  
Silver Spring 301-585-7550

## MASSACHUSETTS

Ace Service Co., Inc.  
Needham 781-449-4220

## MICHIGAN

Bildons Appliance Service  
Detroit 248-478-3320

Commercial Kitchen Service  
Bay City 989-893-4561

Midwest Food Equip. Service  
Grandville 616-261-2000

## MINNESOTA

GCS Service  
Minnetonka 800-822-2303  
x20365

## MISSOURI

General Parts  
Kansas City 816-421-5400

Commercial Kitchen Services  
St. Louis 314-890-0700

Kaemmerlen Parts & Service  
St. Louis 314-535-2222

## NEBRASKA

Anderson Electric  
Omaha 402-341-1414

## NEVADA

Burney's Commercial  
Las Vegas 702-736-0006

Hi. Tech Commercial Service  
N. Las Vegas 702-649-4616

## NEW JERSEY

Jay Hill Repair  
Fairfield 973-575-9145

Service Plus  
Flanders 973-691-6300

## NEW YORK

Acme American Repairs, Inc.  
Jamaica 718-456-6544

Alpro Service Co.  
Maspeth 718-386-2515

Appliance Installation  
Buffalo 716-884-7425

Duffy's Equipment Services, Inc.  
Buffalo 800-836-1014

3Wire Northern  
Plattsburgh 800-634-5005

Duffy's Equipment Services, Inc.  
Sauquoit 800-836-1014

J.B. Brady, Inc.  
Syracuse 315-422-9271

## NORTH CAROLINA

Authorized Appliance  
Charlotte 704-377-4501

## OHIO

Akron/Canton Comm. Svc. Inc.  
Akron 330-753-6634

Service Solutions Group  
Cincinnati 513-772-6600

Commercial Parts and Service  
Columbus 614-221-0057

Electrical Appl. Repair Service  
Brooklyn Heights 216-459-8700

E. A. Wichman Co.  
Toledo 419-385-9121

## OKLAHOMA

Hagar Rest. Service, Inc.  
Oklahoma City 405-235-2184

Krueger, Inc.  
Oklahoma City 405-528-8883

## OREGON

Ron's Service, Inc.  
Portland 503-624-0890

## PENNSYLVANIA

Elmer Schultz Services  
Philadelphia 215-627-5401

FAST Comm. Appl. Service  
Philadelphia 215-288-4800

Appliance Installation & Service  
Pittsburgh 412-809-0244

K & D Service Co.  
Harrisburg 717-236-9039

Electric Repair Co.  
Reading 610-376-5444

## RHODE ISLAND

Marshall Electric Co.  
Providence 401-331-1163

## SOUTH CAROLINA

Whaley Foodservice Repair  
Lexington 803-996-9900

## TENNESSEE

Camp Electric  
Memphis 901-527-7543

## TEXAS

GCS Service  
Fort Worth 800-433-1804

Armstrong Repair Service  
Houston 713-666-7100

Cooking Equipment Specialist  
Mesquite 972-686-6666

Commercial Kitchen Repair Co.  
San Antonio 210-735-2811

## UTAH

La Monica's Rest. Equip. Service  
Murray 801-263-3221

## VIRGINIA

Daubers  
Norfolk 757-855-4097

Daubers  
Springfield 703-866-3600

## WASHINGTON

3Wire Restaurant Appliance  
Seattle 800-207-3146

## WISCONSIN

A.S.C., Inc.  
Madison 608-246-3160

A.S.C., Inc.  
Milwaukee 414-543-6460

## CANADA

### ALBERTA

Key Food Equipment Service  
Edmonton 780-438-1690

### BRITISH COLUMBIA

Key Food Equipment Service  
Vancouver 604-433-4484

Key Food Equipment Service  
Victoria 250-920-4888

### MANITOBA

Air Rite, Inc.  
Winnipeg 204-895-2300

### NEW BRUNSWICK

EMR Services, Ltd.  
Moncton 506-855-4228

### ONTARIO

R.G. Henderson Ltd.  
Toronto 416-422-5580

Choquette - CKS, Inc.  
Ottawa 613-739-8458

### QUÉBEC

Choquette - CKS, Inc.  
Montreal 514-722-2000

Choquette - CKS, Inc.  
Québec City 418-681-3944

## UNITED KINGDOM

Marren Group  
Northants +44(0)1933 665313

**HATCO CORPORATION**

**P.O. Box 340500**

**Milwaukee, WI 53234-0500 U.S.A.**

**800-558-0607 414-671-6350**

**partsandservice@hatcocorp.com**

**www.hatcocorp.com**

**Register your unit online!**

See IMPORTANT OWNER INFORMATION  
section for details.

**S'inscrire en ligne!**

Lisez la section INFORMATIONS IMPORTANTES  
POUR LE PROPRIÉTAIRE pour plus de informations.