



**IMPORTANT NOTE:**

Locate the Specification Label on unit to determine exact Model Name and electrical specifications. This information is needed to identify the correct replacement parts. See exploded view illustration(s) for Specification Label location.

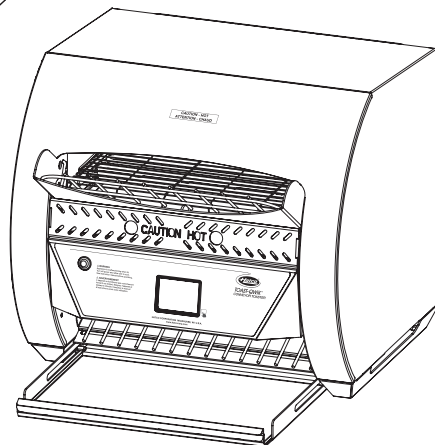
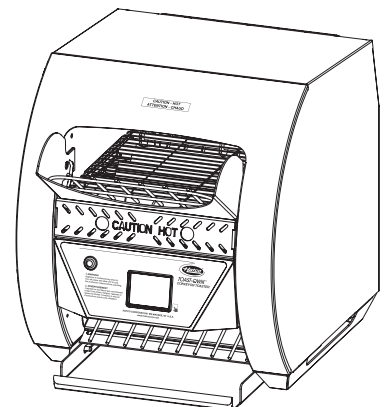
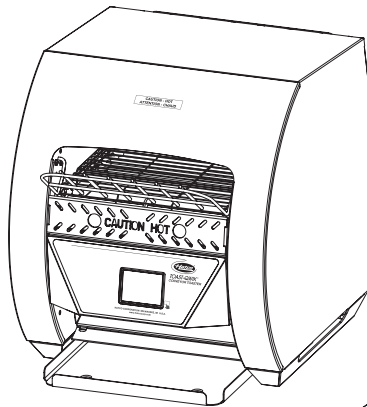


Use of replacement parts other than those supplied by Hatco Corporation may result in damage to unit or injury to personnel and will void all warranties.

# Toast-Qwik® Conveyor Toasters

## TQ3 Series

<u>Model Name</u>	<u>Page</u>	<u>Model Name</u>	<u>Page</u>	<u>Model Name</u>	<u>Page</u>
TQ3-2000	2	TQ3-400	4	TQ3-900	4
TQ3-2000H	2	TQ3-500	4	TQ3-900H	4
		TQ3-500H	4		

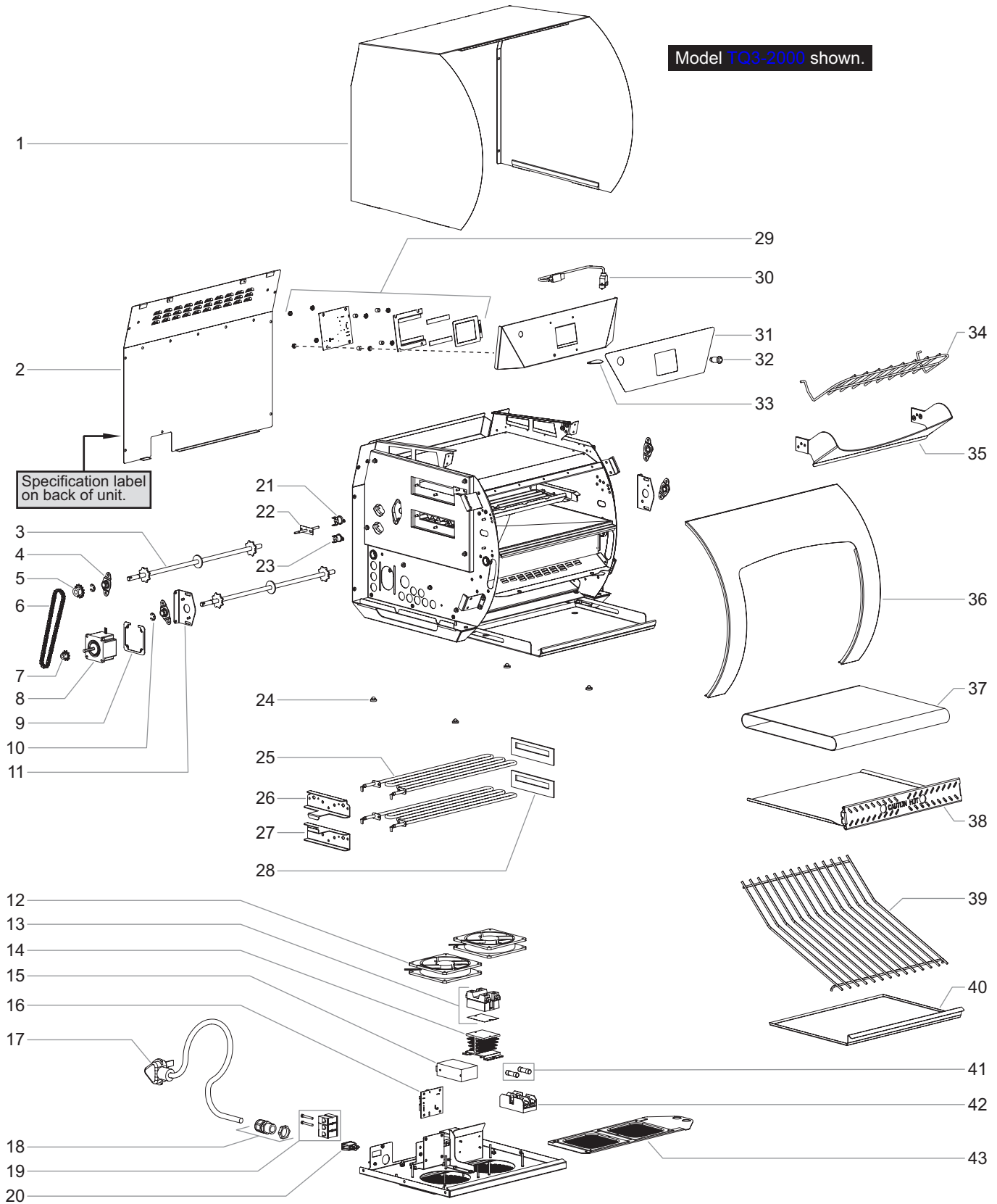


# Replacement Parts List

# Hatco Toast-Qwik® Conveyor Toasters

Models **TQ3-2000** and **TQ3-2000H**

Model **TQ3-2000** shown.



**Parts for Models TQ3-2000 and TQ3-2000H**

Item	Description	Part Number	Qty.
1	Casing Cover		
	Stainless Steel	04.56.787.00	1
	Black	04.56.730.01	1
	Red	04.56.730.03	1
2	Rear Cover	04.56.744.00	1
3	Shaft Assembly	04.05.386.00	2
4	Bearing Assembly	04.05.286.00	4
5	Driven Sprocket, 14 Tooth, 3/8"	05.09.062.00	1
6	Drive Chain	05.03.076.00	1
7	Drive Sprocket, 10 Tooth, 1/4"	05.09.061.00	1
8	Stepper Motor, Conveyor	02.12.121.00	1
9	Motor Clamp	04.56.695.00	1
10	E-Ring	05.11.035.00	2
11	Conveyor Take-Up Bracket	04.56.234.00	2
12	Fan, Cooling, 12 V	02.12.163A.00	2
13	Relay, Solid State (w/thermal pad)	R02.01.458.00	1
14	Heat Sink	04.09.872.00	1
15	Power Supply, 100–240 VAC, 12 V	02.17.064.00	1
16	Printed Circuit Board (motor and power supply)	02.01.487.00	1
17	Power Cord w/Plug		
	208, 240 V, NEMA 6-30P	02.18.122.00	1
	200, 220, 230–240, 230–240 V, No plug	02.18.103.00	1
18	Cord Grip, Heavy Duty	R02.20.259.00	1
19	Terminal Block	R02.15.046.00	1
20	Rocker Switch, On/Off	02.19.161.00	1
21	High Limit—Surface, 400°F	02.16.206.00	1
22	Probe, RTD, 100 ohm	02.01.192.00	1
23	High Limit—Surface, 105°F	02.16.120.00	1
24	Foot	R05.30.068.00	4
25	Heating Element		
	TQ3-2000, 2000 W		
	200, 208V	02.09.314.00	2
	220, 220–230 V	02.09.316.00	2
	230–240, 240 V	02.09.315.00	2
	TQ3-2000H		
	Upper, 2200 W		
	200, 208V	02.09.317.00	1
	220, 220–230 V	02.09.319.00	1
	230–240, 240 V	02.09.318.00	1
	Lower, 1800 W		
	200, 208V	02.09.320.00	1
	220, 220–230 V	02.09.322.00	1
	230–240, 240 V	02.09.321.00	1

Item	Description	Part Number	Qty.
26	Element Bracket, Top	04.56.193.00	1
27	Element Bracket, Bottom	04.56.538.00	1
28	Gasket, Heating Element	05.05.517.00	2
29	Touchscreen Control Assembly		
	TQ3-2000	R02.01.448.08	1
	TQ3-2000H	R02.01.448.09	1
30	USB Cable	02.20.515.00	1
31	Label, Control Panel	07.01.446.00	1
32	Indicator Light, Red	02.19.151.00	1
33	USB Port Cover	04.56.705.00	1
34	Feed Ramp		
	Standard	04.56.763.00	1
	Extended	04.56.794.00	1
35	Front Heat Shield		
	TQ3-2000	04.56.745.00	1
	TQ3-2000H	04.56.733.00	1
36	Front Trim		
	TQ3-2000		
	Stainless Steel	04.56.785.00	1
	Black	04.56.732.01	1
	Red	04.56.732.03	1
	TQ3-2000H		
	Stainless Steel	04.56.786.00	1
	Black	04.56.750.01	1
	Red	04.56.750.03	1
37	Conveyor Belt	05.03.079.00	1
38	Crumb Tray	R04.56.749.00	1
39	Toast Chute Slide	04.56.726.00	1
40	Catch Tray, Removable	04.56.754.00	1
41	Fuse, 15 A (2 pack) ▲	R02.03.052.02	1
42	Fuse Block ▲	02.03.022.00	1
43	Filter Assembly	R04.56.739.00	1

▲ Used in units with optional power cord P/N 02.18.122.00 only.

The shaded areas contain electrical information for International models only.

NOTE: The last four digits in a ten digit numerical serial number are the manufacturing date code.

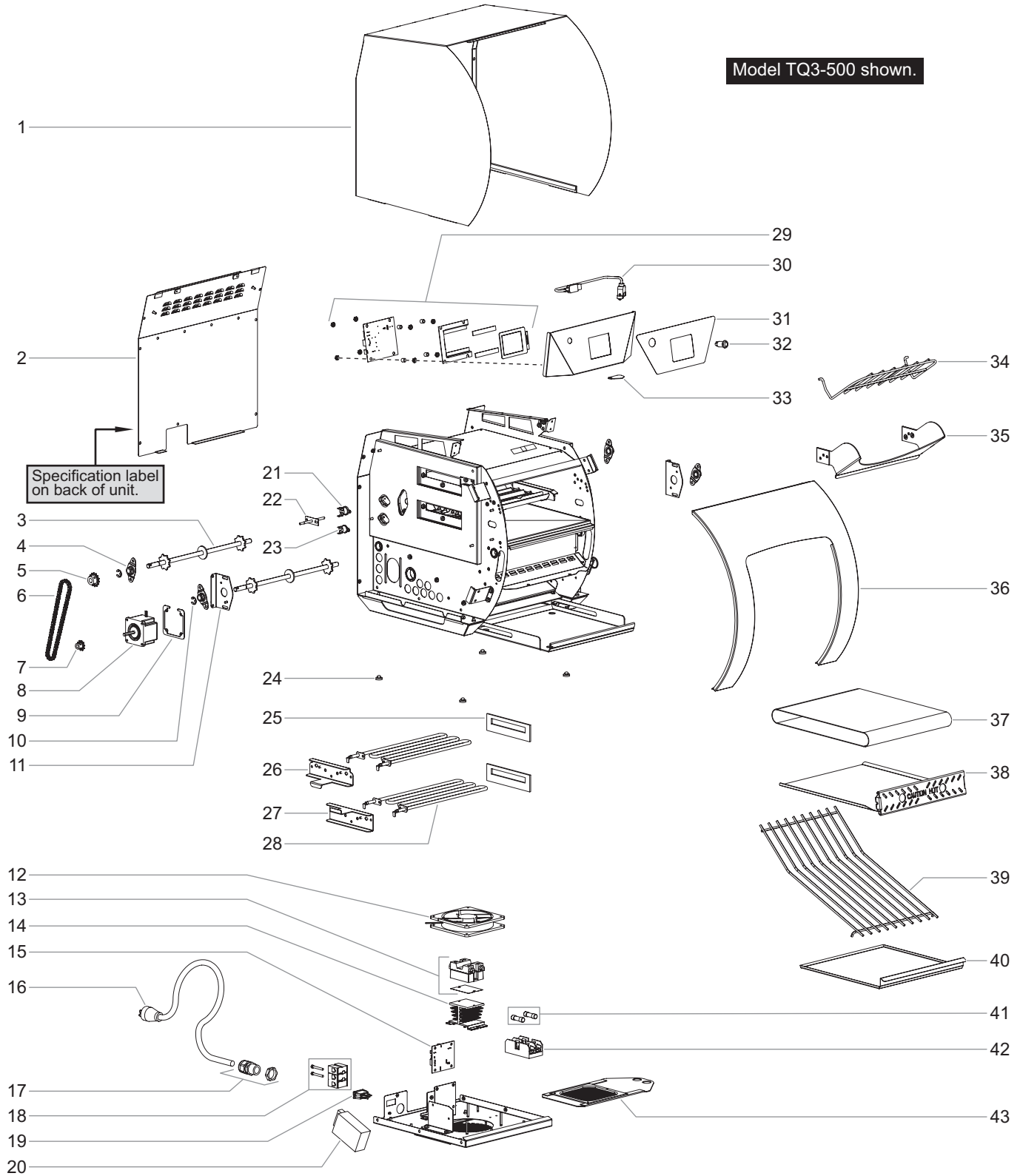
Example: Serial number 962506**2231** has a date code of “**2231**” which indicates the following: 2231

└─ Week Thirty-One  
└─ Year 2022

# Hatco Toast-Qwik® Conveyor Toasters

Models **TQ3-400**, **TQ3-500**, **TQ3-500H**, **TQ3-900**, and **TQ3-900H**

Model TQ3-500 shown.



**Parts for Models TQ3-400, TQ3-500, TQ3-500H, TQ3-900, and TQ3-900H**

Item	Description	Part Number	Qty.
1	Casing Cover		
	Stainless Steel	04.56.667.00	1
	Black	04.56.573.01	1
	Red	04.56.573.03	1
2	Rear Cover	04.56.572.00	1
3	Shaft Assembly	04.05.386.00	2
4	Bearing Assembly	04.05.286.00	4
5	Driven Sprocket, 14 Tooth, 3/8"	05.09.062.00	1
6	Drive Chain	05.03.076.00	1
7	Drive Sprocket, 10 Tooth, 1/4"	05.09.061.00	1
8	Stepper Motor, Conveyor	02.12.121.00	1
9	Motor Clamp	04.56.695.00	1
10	E-Ring	05.11.035.00	2
11	Conveyor Take-Up Bracket	04.56.234.00	2
12	Fan, Cooling, 12 V	02.12.163A.00	1
13	Relay, Solid State (w/thermal pad)	R02.01.458.00	1
14	Heat Sink	04.09.872.00	1
15	Printed Circuit Board (motor and power supply)	02.01.487.00	1
16	Power Cord w/Plug		
	<b>TQ3-400</b>		
	120 V, NEMA 5-15P †	02.18.284.00	1
	TQ3-500/500H		
	200 V, JIS C 8303 (15A, 250 V)	02.18.447.00	1
	208, 240 V, NEMA 6-15P ‡	02.18.036.00	1
	220–230 V, CEE 7/7 Schuko	02.18.038.00	1
	220–230 V, CCC 10 A	02.18.598.00	1
	220, 220–230, 230–240 V, BS-1363	02.18.068.00	1
	230–240 V, AS 3112	02.18.207.00	1
	<b>TQ3-900/900H</b>		
	200 V, No plug	02.18.103.00	1
	208, 240 V, NEMA 6-20P ‡ ■	02.18.111.00	1
	220–230 V, CEE 7/7 Schuko	02.18.038.00	1
	220–230 V, CCC 15 A	02.18.907.00	1
	220, 230–240 V, BS-1363	02.18.068.00	1
	230–240 V, AS 3112	02.18.105.00	1

Item	Description	Part Number	Qty.
17	Cord Grip, Heavy Duty	R02.20.259.00	1
18	Terminal Block	R02.15.046.00	1
19	Rocker Switch, On/Off	02.19.161.00	1
20	Power Supply, 100–240 VAC, 12 V	02.17.064.00	1
21	High Limit—Surface, 400°F *	02.16.206.00	1
22	Probe, RTD, 100 ohm	02.01.192.00	1
23	High Limit—Surface, 105°F	02.16.120.00	1
24	Foot	R05.30.068.00	4
25	Gasket, Heating Element	05.05.517.00	2
26	Element Bracket, Top		
	<b>TQ3-400</b>	04.05.335.00	1
	TQ3-500/500H/900/900H	04.56.193.00	1
27	Element Bracket, Bottom		
	<b>TQ3-400</b>	04.56.665.00	1
	TQ3-500/500H/900/900H	04.56.538.00	1
28	Heating Element		
	<b>TQ3-400</b> , 880 W , 120 V	02.09.253.00	2
	TQ3-500/500H, 1100 W		
	200, 208 V	02.09.311.00	2
	220, 220–230 V	02.09.313.00	2
	230–240, 240 V	02.09.312.00	2
	<b>TQ3-900</b> , 1500 W		
	200, 208 V	02.09.294.00	2
	220, 220–230 V	02.09.303.00	2
	230–240, 240 V	02.09.302.00	2
	<b>TQ3-900H</b>		
	Upper, 1650 W		
	200, 208V	02.09.304.00	1
	220, 220–230 V	02.09.306.00	1
	230–240, 240 V	02.09.305.00	1
	Lower, 1350 W		
	200, 208V	02.09.307.00	1
	220, 220–230 V	02.09.309.00	1
	230–240, 240 V	02.09.308.00	1

...continued

\* Not used in Model TQ3-400.

† Power cord P/N 02.18.185.00 with NEMA 5-20P plug required for Canada.

‡ Optional power cord P/N 02.18.122.00 with right angle NEMA 6-30P plug available.

■ Optional power cord P/N 02.18.016.00 with right angle NEMA 6-20P plug available.

The shaded areas contain electrical information for **International models only**.

**NOTE:** The last four digits in a ten digit numerical serial number are the manufacturing date code.

Example: Serial number 962506**2231** has a date code of "2231" which indicates the following: 2231

└─ Week Thirty-One  
└─ Year 2022

**Parts for Models TQ3-400, TQ3-500, TQ3-500H, TQ3-900, and TQ3-900H**

Item	Description	Part Number	Qty.
29	Touchscreen Control Assembly		
	TQ3-400	R02.01.448.03	1
	TQ3-500	R02.01.448.04	1
	TQ3-500H	R02.01.448.05	1
	TQ3-900	R02.01.448.06	1
	TQ3-900H	R02.01.448.07	1
30	USB Cable	02.20.515.00	1
31	Label, Control Panel		
	TQ3-400	07.01.450.00	1
	TQ3-500/500H/900/900H	07.01.436.00	1
32	Indicator Light, Red *	02.19.151.00	1
33	USB Port Cover	04.56.705.00	1
34	Feed Ramp		
	TQ3-400	04.56.766.00	1
	TQ3-500/500H/900/900H		1
	Standard	04.56.648.00	1
	Extended	04.56.723.00	1
35	Front Heat Shield *		
	TQ3-500/900	04.56.647.00	1
	TQ3-500H/900H	04.56.664.00	1
36	Front Trim		
	TQ3-400/500/900		
	Stainless Steel	04.56.616.00	1
	Black	04.56.574.01	1
	Red	04.56.574.03	1
	TQ3-500H, 900H		
	Stainless Steel	04.56.709.00	1
	Black	04.56.589.01	1
	Red	04.56.589.03	1
37	Conveyor Belt	05.03.077.00	1
38	Crumb Tray	R04.56.531.00	1
39	Toast Chute Slide *	04.56.704.00	1
40	Catch Tray, Removable		
	TQ3-400	04.56.767.00	1
	TQ3-500/500H/900/900H	04.56.687.00	1
41	Fuse, 15A (2 pack) ▲	R02.03.052.02	1
42	Fuse Block ▲	02.03.022.00	1
43	Filter Assembly	R04.56.685.00	1

\* Not used in Model TQ3-400.

▲ Used in units with optional power cord P/N 02.18.122.00 only.



# AUTHORIZED PARTS DISTRIBUTORS • DISTRIBUTEURS DE PIÈCES AUTORISÉS

## ALABAMA

Jones McLeod Appl. Svc.  
Birmingham 205-251-0159

## ARIZONA

Tech 24  
Phoenix 602-234-2443

Byassee Equipment Co.  
Phoenix 602-252-0402

## CALIFORNIA

Industrial Electric  
Commercial Parts & Service, Inc.  
Huntington Beach 714-379-7100

Chapman Appl. Service  
San Diego 619-298-7106

P & D Appliance  
Commercial Parts & Service, Inc.  
S. San Francisco 650-635-1900

## COLORADO

Hawkins Commercial Appliance  
Englewood 303-781-5548

## FLORIDA

Whaley Foodservice Repair  
Jacksonville 904-725-7800

Whaley Foodservice Repair  
Orlando 407-757-0851

B.G.S.I./Heritage  
Pompano Beach 954-971-0456

Comm. Appliance Service  
Tampa 813-663-0313

## GEORGIA

Heritage Service Group  
Norcross 866-388-9837

## HAWAII

Burney's Comm. Service, Inc.  
Honolulu 808-848-1466

Food Equip Parts & Service  
Honolulu 808-847-4871

## ILLINOIS

Parts Town  
Addison 708-865-7278

Eichenauer Elec. Service  
Decatur 217-429-4229

Midwest Elec. Appl. Service  
Elmhurst 630-279-8000

Cone's Repair Service  
Moline 309-797-5323

## IOWA

Goodwin Tucker Group  
Des Moines 515-262-9308

## KENTUCKY

Tech 24  
Lexington 859-254-8854

Tech 24  
Louisville 502-451-5411

## LOUISIANA

Chandlers Parts & Service  
Baton Rouge 225-272-6620

## MARYLAND

Electric Motor Service  
Baltimore 410-467-8080

## MASSACHUSETTS

Ace Service Co., Inc.  
Needham 781-449-4220

## MICHIGAN

Bildons Appliance Service  
Detroit 248-478-3320

Commercial Kitchen Service  
Bay City 989-893-4561

Midwest Food Equip. Service  
Grandville 616-261-2000

## MISSOURI

General Parts  
Kansas City 816-421-5400

Commercial Kitchen Services  
St. Louis 314-890-0700

Kaemmerlen Parts & Service  
St. Louis 314-535-2222

## NEBRASKA

Anderson Electric  
Omaha 402-341-1414

## NEVADA

Burney's Commercial  
Las Vegas 702-736-0006

Hi. Tech Commercial Service  
N. Las Vegas 702-649-4616

## NEW JERSEY

Jay Hill Repair  
Fairfield 973-575-9145

Service Plus  
Flanders 973-691-6300

## NEW YORK

Alpro Service Co.  
Maspeth 718-386-2515

Duffy's - AIS  
Buffalo 716-884-7425

3Wire  
Plattsburgh 800-634-5005

Duffy's - AIS  
Sauquoit 800-836-1014

J.B. Brady, Inc.  
Syracuse 315-422-9271

## NORTH CAROLINA

Authorized Appliance  
Charlotte 704-377-4501

## OHIO

Akron/Canton Comm. Svc. Inc.  
Akron 330-753-6634

Tech 24  
Cincinnati 513-772-6600

Commercial Parts and Service  
Columbus 614-221-0057

Electrical Appl. Repair Service  
Brooklyn Heights 216-459-8700

E. A. Wichman Co.  
Toledo 419-385-9121

## OKLAHOMA

Hagar Rest. Service, Inc.  
Oklahoma City 405-235-2184

## OREGON

General Parts Group  
Portland 503-624-0890

## PENNSYLVANIA

Elmer Schultz Services  
Philadelphia 215-627-5401

FAST Comm. Appl. Service  
Philadelphia 215-288-4800

AIS Commercial Parts and Service  
Pittsburgh 412-809-0244

K & D Service Co.  
Harrisburg 717-236-9039

Electric Repair Co.  
Reading 610-376-5444

## RHODE ISLAND

Marshall Electric Co.  
Providence 401-331-1163

## SOUTH CAROLINA

Whaley Foodservice Repair  
Lexington 803-996-9900

## TENNESSEE

Camp Electric  
Memphis 901-527-7543

## TEXAS

Armstrong Repair Service  
Houston 713-666-7100

Cooking Equipment Specialist  
Mesquite 972-686-6666

Commercial Kitchen Repair Co.  
San Antonio 210-735-2811

## UTAH

La Monica's Rest. Equip. Service  
Murray 801-263-3221

## VIRGINIA

Daubers  
Norfolk 757-855-4097

Daubers  
Springfield 703-866-3600

## WASHINGTON

3Wire  
Seattle 800-207-3146

## WISCONSIN

A.S.C., Inc.  
Madison 608-246-3160

A.S.C., Inc.  
Milwaukee 414-543-6460

## CANADA

### ALBERTA

Key Food Equipment Service  
Edmonton 780-438-1690

### BRITISH COLUMBIA

Key Food Equipment Service  
Vancouver 604-433-4484

Key Food Equipment Service  
Victoria 250-920-4888

### MANITOBA

Air Rite, Inc.  
Winnipeg 204-895-2300

### NEW BRUNSWICK

EMR Services, Ltd.  
Moncton 506-855-4228

### ONTARIO

R.G. Henderson Ltd.  
Toronto 416-422-5580

Choquette - CKS, Inc.  
Ottawa 613-739-8458

### QUÉBEC

Choquette - CKS, Inc.  
Montreal 514-722-2000

Choquette - CKS, Inc.  
Québec City 418-681-3944

## UNITED KINGDOM

Marren Group  
Northants +44(0)1933 665313

**HATCO CORPORATION**  
P.O. Box 340500  
Milwaukee, WI 53234-0500 U.S.A.  
414-671-6350  
partsandservice@hatcocorp.com  
www.hatcocorp.com



24 Hour 7 Day Parts and Service  
Assistance available in the United States  
and Canada by calling 414-671-6350.