

hatcocorp.com

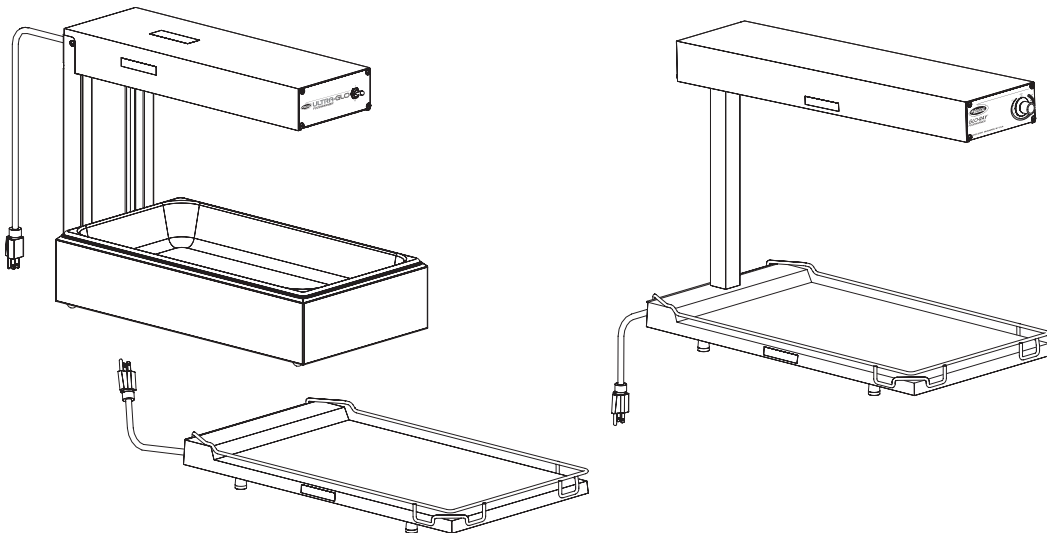
Register Online!
(see page 2)

S'inscrire en ligne!
(voir page 15)



Glo-Ray® / Ultra-Glo® Portable Foodwarmers Présentoirs chauffants portatifs GR-B, GRFF, UGFF Series/Série

Installation and Operating Manual Manuel d'installation et d'utilisation



⚠ WARNING

Do not operate this equipment unless you have read and understood the contents of this manual! Failure to follow the instructions contained in this manual may result in serious injury or death. This manual contains important safety information concerning the maintenance, use, and operation of this product. If you're unable to understand the contents of this manual, please bring it to the attention of your supervisor. Keep this manual in a safe location for future reference.

English = p 2

⚠ ADVERTENCIA

No opere este equipo al menos que haya leído y comprendido el contenido de este manual! Cualquier falla en el seguimiento de las instrucciones contenidas en este manual puede resultar en un serio lesión o muerte. Este manual contiene importante información sobre seguridad concerniente al mantenimiento, uso y operación de este producto. Si usted no puede entender el contenido de este manual por favor pregunte a su supervisor. Almacenar este manual en una localización segura para la referencia futura.

⚠ AVERTISSEMENT

Ne pas utiliser cet équipement sans avoir lu et compris le contenu de ce manuel ! Le non-respect des instructions contenues dans ce manuel peut entraîner de graves blessures ou la mort. Ce manuel contient des informations importantes concernant l'entretien, l'utilisation et le fonctionnement de ce produit. Si vous ne comprenez pas le contenu de ce manuel, veuillez le signaler à votre supérieur. Conservez ce manuel dans un endroit sûr pour pouvoir vous y référer plus tard.

Français = p 15

Important Owner Information	2	Operation	11
Introduction	2	General.....	11
Important Safety Instructions	3	Maintenance	11
Model Description	4	General.....	11
Model Designation	5	Daily Cleaning	11
Specifications	5	Replacing a Display Light Bulb	12
Plug Configurations	5	Troubleshooting Guide	12
Electrical Rating Chart.....	6	Options and Accessories	13
Dimensions	8	Limited Warranty	14
Installation	9	Authorized Parts Distributors	Back Cover
General.....	9		

IMPORTANT OWNER INFORMATION

Record the model number, serial number, voltage, and purchase date of the unit in the spaces below (specification label located on the the unit). Please have this information available when calling Hatco for service assistance.

Model No. _____

Serial No. _____

Voltage _____

Date of Purchase _____

Register your unit!

• Completing online warranty registration will prevent delay in obtaining warranty coverage. Access the Hatco website at www.hatcocorp.com, select the *Support* pull-down menu, and click on "Warranty".

Business Hours: 7:00 AM to 5:00 PM Monday–Friday, Central Time (CT)
 (Summer Hours — June to September:
 7:00 AM to 5:00 PM Monday–Thursday
 7:00 AM to 4:00 PM Friday)

Telephone: 800-558-0607; 414-671-6350

E-mail: support@hatcocorp.com



24 Hour 7 Day Parts and Service Assistance available in the United States and Canada by calling 800-558-0607.

Additional information can be found by visiting our web site at www.hatcocorp.com.

INTRODUCTION

Hatco Glo-Ray® and Ultra-Glo® Portable Foodwarmers are designed to provide ideal heat patterns with precise temperature control to ensure food quality and safety. Pre-focused heat patterns prevent foods from overcooking in the middle or cooling off around the edges by concentrating higher temperatures to the outer edges of holding surfaces where heat loss is the greatest. Flexible heating options maximize food holding and minimize the risk of food-borne illnesses. Portable Foodwarmers safely maintain peak serving temperatures longer without continuing to cook the food.

Hatco Ultra-Glo ceramic pyramidal heat patterns create intense heat energy allowing for a greater working space between the warmer and the holding surface.

Glo-Ray and Ultra-Glo Portable Foodwarmers are available with or without shatter-resistant display lights to illuminate the warming area. These bulbs have a special coating that guards against injury and food contamination in the event of breakage.

Hatco Portable Foodwarmers are products of extensive research and field testing. The materials used were selected for maximum durability, attractive appearance, and optimum performance. Every unit is inspected and tested thoroughly prior to shipment.

This manual provides the installation, safety, and operating instructions for Portable Foodwarmers. Hatco recommends all installation, operating, and safety instructions appearing in this manual be read prior to installation or operation of a unit.

Safety information that appears in this manual is identified by the following signal word panels:



WARNING indicates a hazardous situation which, if not avoided, could result in death or serious injury.



CAUTION indicates a hazardous situation which, if not avoided, could result in minor or moderate injury.



NOTICE is used to address practices not related to personal injury.



Read the following important safety information before using this equipment to avoid serious injury or death and to avoid damage to equipment or property.

WARNING

ELECTRIC SHOCK HAZARD:

- Plug unit into a properly grounded electrical receptacle of the correct voltage, size, and plug configuration. If plug and receptacle do not match, contact a qualified electrician to determine and install proper voltage and size electrical receptacle.
- Turn OFF power switch, unplug power cord, and allow unit to cool before performing any cleaning, adjustments, or maintenance.
- DO NOT submerge or saturate with water. Unit is not waterproof. Do not operate if unit has been submerged or saturated with water.
- Unit is not weatherproof. Locate unit indoors where ambient air temperature is a minimum of 70°F (21°C).
- This unit is not “jet-proof” construction. Do not use jet-clean spray to clean this unit.
- Do not steam clean or use excessive water on unit.
- Do not pull unit by power cord.
- Discontinue use if power cord is frayed or worn.
- Do not attempt to repair or replace a damaged power cord. Cord must be replaced by Hatco, an Authorized Hatco Service Agent, or a person with similar qualifications.
- This unit must be serviced by qualified personnel only. Service by unqualified personnel may lead to electric **shock** or burn.
- Use only Genuine Hatco Replacement Parts when service is required. Failure to use Genuine Hatco Replacement Parts will void all warranties and may subject operators of the equipment to hazardous electrical voltage, resulting in electrical **shock** or burn. Genuine Hatco Replacement Parts are specified to operate safely in the environments in which they are used. Some aftermarket or generic replacement parts do not have the characteristics that will allow them to operate safely in Hatco equipment.

FIRE HAZARD:

- Locate unit a minimum of 2” (51 mm) from combustible walls and materials. If safe distances are not maintained, combustion or discoloration could occur.
- Secure top housing to base before turning on power.
- Do not place anything on top of unit.

EXPLOSION HAZARD:

- Do not store or use gasoline or other flammable vapors or liquids in the vicinity of this or any other appliance.

WARNING

Use only light bulbs that meet or exceed National Sanitation Foundation (NSF) standards and are specifically designed for food holding areas. Breakage of light bulbs not specially-coated could result in personal injury and/or food contamination.

Make sure all operators have been instructed on the safe and proper use of the unit.

This unit is not intended for use by children or persons with reduced physical, sensory, or mental capabilities. Ensure proper supervision of children and keep them away from the unit.

This unit has no “user-serviceable” parts. If service is required on this unit, contact an Authorized Hatco Service Agent or contact the Hatco Service Department at 800-558-0607 or 414-671-6350.

CAUTION

BURN HAZARD: Some exterior surfaces on unit will get hot. Use caution when touching these areas.

Locate unit at proper counter height in an area that is convenient for use. Location should be level to prevent unit or its contents from falling accidentally and strong enough to support the weight of the unit and contents.

Do not place anything on top of unit; doing so may subject personnel to injury or could damage unit.

Standard and approved manufacturing oils may smoke up to 30 minutes during initial startup. This is a temporary condition. Operate unit without food product until smoke dissipates.

Always operate unit with food pans installed.

NOTICE

Damage to any countertop material caused by heat generated from Hatco equipment is not covered under the Hatco warranty. Contact manufacturer of countertop material for application information.

Use non-abrasive cleaners and cloths only. Abrasive cleaners and cloths could scratch finish of unit, marring its appearance and making it susceptible to soil accumulation.

Do not lay unit on the side with the control panel. Damage to unit could occur.

Clean unit daily to avoid malfunctions and maintain sanitary operation.

Locate unit away from air flow areas such as hoods, vents, exterior doors, etc.

All Models

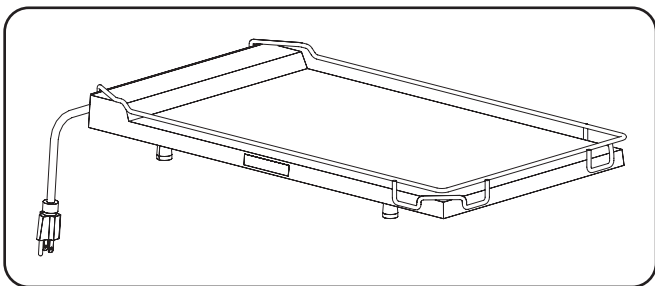
Glo-Ray® and Ultra-Glo® Portable Foodwarmers ensure hot foods will remain at optimum temperatures without cooking or drying them out. All models are equipped with a 6' (1829 mm) power cord and plug.

NOTE: The optional infinite control is not available on GR-B models, Ultra-Glo models, or units with sign holders.

Various options and accessories can be supplied to customize the Fry Holding Station. Refer to the OPTIONS AND ACCESSORIES section near the back of this manual for details.

GR-B Models

GR-B heated base models consist of a cast aluminum base with a built-in heating element, built-in temperature control, and a lighted On/Off rocker switch.

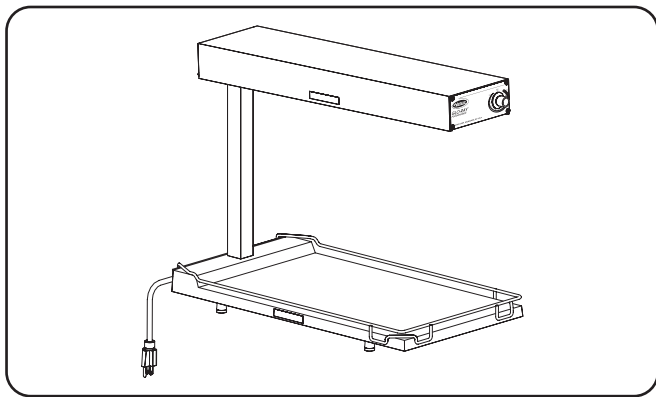


GR-B Model

GRFF, GRFFL, GRFFB, and GRFFBL Models

GRFF, GRFFL, GRFFB and GRFFBL Models have aluminum housings equipped with a metal sheath infrared heating element, ON/OFF toggle switch, and a standard pre-wired 6' (1829 mm) cord and plug. The Portable Foodwarmer has optional base heat, display lights, infinite control and display sign holder (sign not included). The unit is also available in six Designer colors.

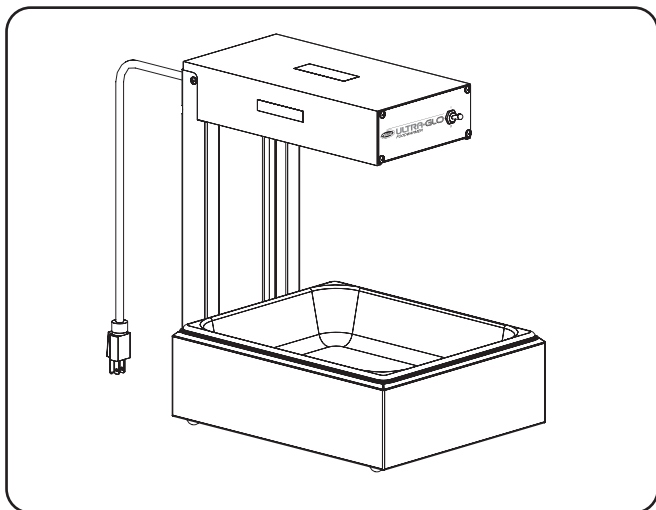
NOTE: GRFFB and GRFFBL models are equipped with a swing-away top to provide fast easy access to food product.



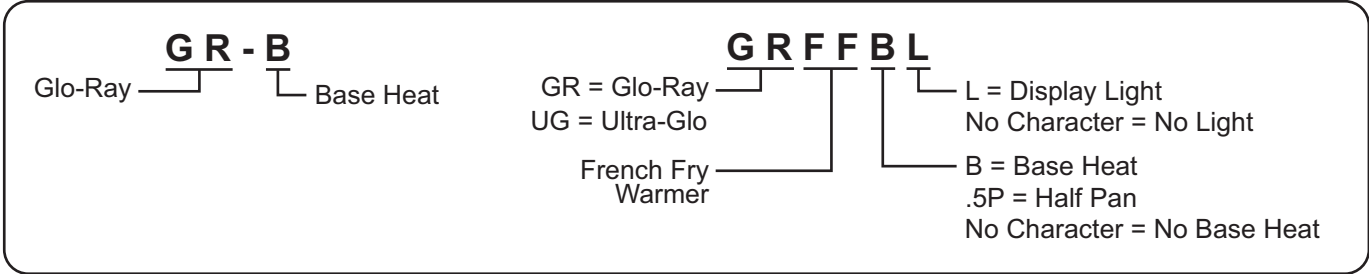
GRFF Models

UGFF, UGFFL, UGFFB, and UGFFBL Models

UGFF, UGFFL, UGFFB, and UGFFBL models have aluminum housings equipped with a compact upper ceramic heating element, ON/OFF toggle switch, and a standard pre-wired 6' (1829 mm) cord and plug. The Portable Foodwarmer has optional base heat, display lights, and is also available in five Translucent Gloss finishes.



UGFF Models



SPECIFICATIONS

Plug Configurations

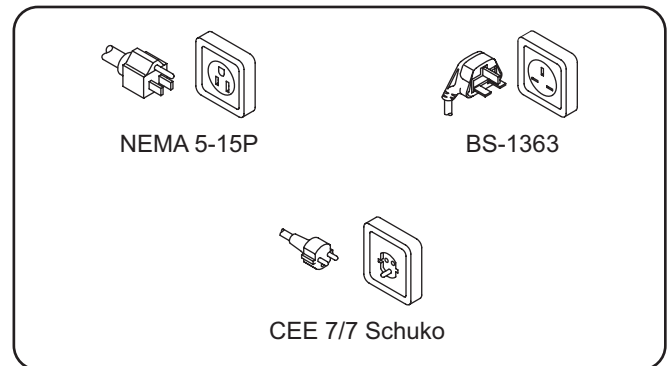
Units are supplied from the factory with an electrical cord and plug. Plugs are supplied according to the application.



ELECTRIC SHOCK HAZARD: Plug unit into a properly grounded electrical receptacle of the correct voltage, size, and plug configuration. If plug and receptacle do not match, contact a qualified electrician to determine and install proper voltage and size electrical receptacle.

NOTE: Receptacle not supplied by Hatco.

NOTE: Specification label located on the lower, left-hand side of the unit. See label for serial number and verification of unit electrical information.



Plug Configurations

Electrical Rating Chart — GR-B and GRFF Series

Model	Voltage	Watts	Amps	Plug Configuration	Shipping Weight
GR-B	120	250	2.1	NEMA 5-15P	16 lbs. (7 kg)
	220	210	1.0	CEE 7/7 Schuko	16 lbs. (7 kg)
	240	250		BS-1363	
	220–230	210–230	1.0–1.0	CEE 7/7 Schuko	
	230–240	230–250		BS-1363	
GRFF	100	500	5.0	NEMA 5-15P	
	120	500	4.2	NEMA 5-15P	16 lbs. (7 kg)
	220	500	2.3	CEE 7/7 Schuko	16 lbs. (7 kg)
	240	500	2.1	BS-1363	
	220–230	500–546	2.3–2.4	CEE 7/7 Schuko	
	230–240	459–500	2.0–2.1	BS-1363	
GRFFL	100	584	5.8	NEMA 5-15P	18 lbs. (8 kg)
	120	620	5.2	NEMA 5-15P	18 lbs. (8 kg)
	220	600	2.7	CEE 7/7 Schuko	18 lbs. (8 kg)
	240	620	2.6	BS-1363	
	220–230	600–656	2.7–2.9	CEE 7/7 Schuko	
	230–240	569–620	2.5–2.6	BS-1363	
GRFFB	100	750	7.5	NEMA 5-15P	26 lbs. (12 kg)
	120	750	6.3	NEMA 5-15P	26 lbs. (12 kg)
	220	710	3.2	CEE 7/7 Schuko	26 lbs. (12 kg)
	240	750	3.1	BS-1363	
	220–230	710–777	3.2–3.4	CEE 7/7 Schuko	
	230–240	689–750	3.0–3.1	BS-1363	
GRFFBL	100	870	8.7	NEMA 5-15P	31 lbs. (14 kg)
	120	870	7.3	NEMA 5-15P	31 lbs. (14 kg)
	220	810	3.7	CEE 7/7 Schuko	31 lbs. (14 kg)
	240	870	3.6	BS-1363	
	220–230	810–867	3.7–3.8	CEE 7/7 Schuko	
	230–240	799–870	3.5–3.6	BS-1363	

The shaded areas contain electrical information for **International models only**.

NOTE: Shipping weight includes packaging.

Electrical Rating Chart — UGFF Series

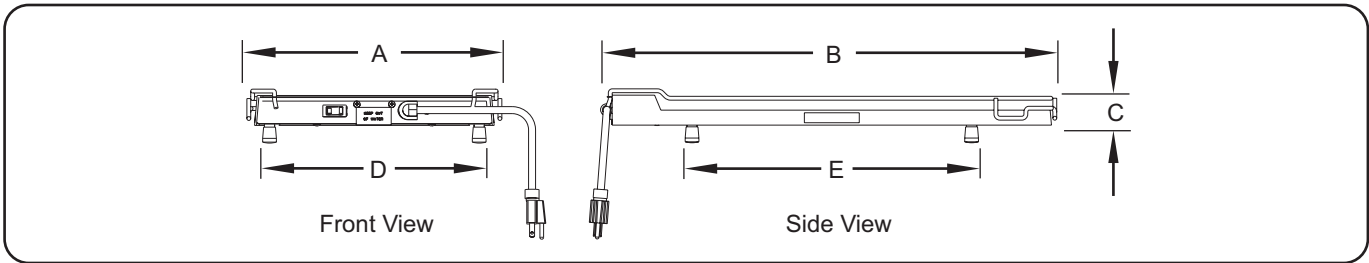
Model	Voltage	Watts	Amps	Plug Configuration	Shipping Weight
UGFF-.5P	120	375	3.1	NEMA 5-15P	11 lbs. (5 kg)
UGFF	100	625	6.3	NEMA 5-15P	15 lbs. (7 kg)
	120	750	6.3	NEMA 5-15P	15 lbs. (7 kg)
	220	630	2.8	CEE 7/7 Schuko	15 lbs. (7 kg)
	240	750	3.1	BS-1363	
	220–230	630–689	2.9–3.0	CEE 7/7 Schuko	
	230–240	689–750	3.0–3.1	BS-1363	
UGFFL	100	708	7.1	NEMA 5-15P	19 lbs. (9 kg)
	120	870	7.3	NEMA 5-15P	19 lbs. (9 kg)
	220	730	3.3	CEE 7/7 Schuko	19 lbs. (9 kg)
	240	870	3.6	BS-1363	
	220–230	730–799	3.3–3.5	CEE 7/7 Schuko	
	230–240	799–870	3.5–3.6	BS-1363	
UGFFB	100	875	8.8	NEMA 5-15P	26 lbs. (12 kg)
	120	1000	8.3	NEMA 5-15P	26 lbs. (12 kg)
	220	840	3.8	CEE 7/7 Schuko	26 lbs. (12 kg)
	240	1000	4.2	BS-1363	
	220–230	840–919	3.8–4.0	CEE 7/7 Schuko	
	230–240	919–1000	4.0–4.2	BS-1363	
UGFFBL	100	959	9.6	NEMA 5-15P	31 lbs. (14 kg)
	120	1120	9.3	NEMA 5-15P	31 lbs. (14 kg)
	220	940	4.3	CEE 7/7 Schuko	31 lbs. (14 kg)
	240	1120	4.7	BS-1363	
	220–230	940–1029	4.3–4.5	CEE 7/7 Schuko	
	230–240	1029–1120	4.5–4.7	BS-1363	

The shaded areas contain electrical information for **International models only**.

NOTE: Shipping weight includes packaging.

Dimensions — GR-B Models

Model	Width (A)	Depth (B)	Height (C)	Footprint Width (D)	Footprint Depth (E)
GR-B	12-3/4" (324 mm)	22" (559 mm)	2-1/4" (57 mm)	11-3/16" (284 mm)	14-11/16" (373 mm)



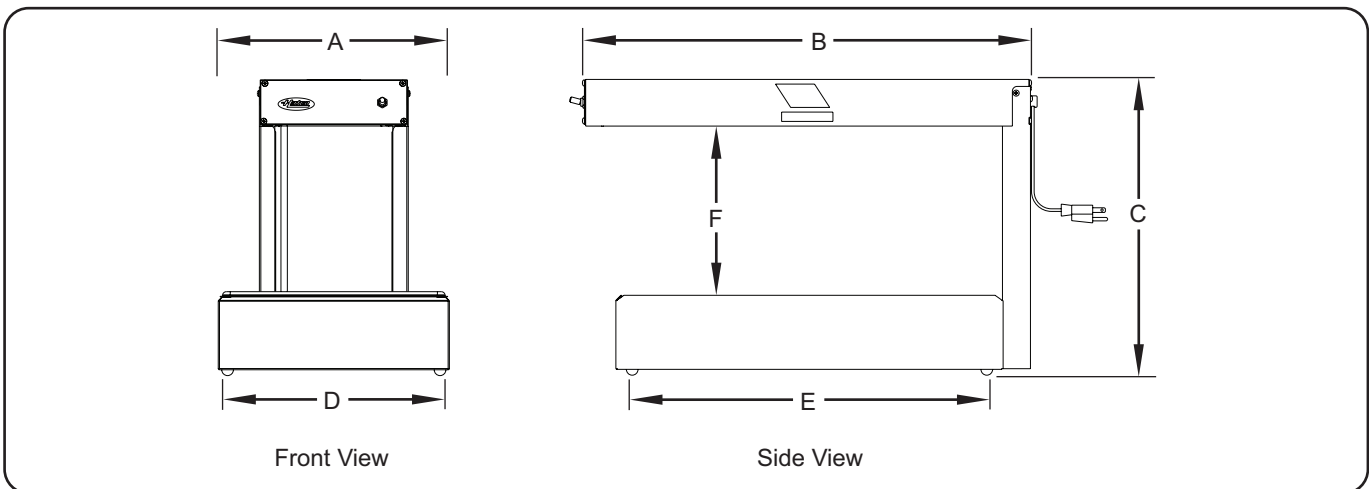
GR-B Dimensions

Dimensions — GRFF and UGFF Series

Model	Width (A)	Depth (B)	Height (C)	Footprint Width (D)	Footprint Depth (E)	Interior Height (F)
GRFF	12-3/8" (314 mm)	24" (610 mm)	15-7/8" (403 mm)	12-3/8" (314 mm)	19-5/8" (499 mm)	9-1/8" (232 mm)
GRFFL	12-3/8" (314 mm)	24" (610 mm)	15-7/8" † (403 mm)	12-3/8" (314 mm)	19-5/8" (499 mm)	9-1/8" (232 mm)
UGFF-.5P	10-1/2" (267 mm)	14-1/4" (362 mm)	15-7/8" (403 mm)	10-1/8" (257 mm)	11-5/8" (296 mm)	8-13/16" ‡ (225 mm)
UGFF	12-3/8" (314 mm)	22-1/4" (565 mm)	18-7/8" (479 mm)	12-3/8" (314 mm)	19-5/8" (499 mm)	12" (305 mm)
UGFFL	12-3/8" (314 mm)	22-1/4" (565 mm)	18-7/8" (479 mm)	12-3/8" (314 mm)	19-5/8" (499 mm)	12" (305 mm)

† Add 3" (76 mm) to height of unit when using display sign holder.

‡ Interior Height (F) from wire guard to the base is 6-5/8" (168 mm).



GRFF and UGFF Series Dimensions

Dimensions — GRFFB and UGFFB Series

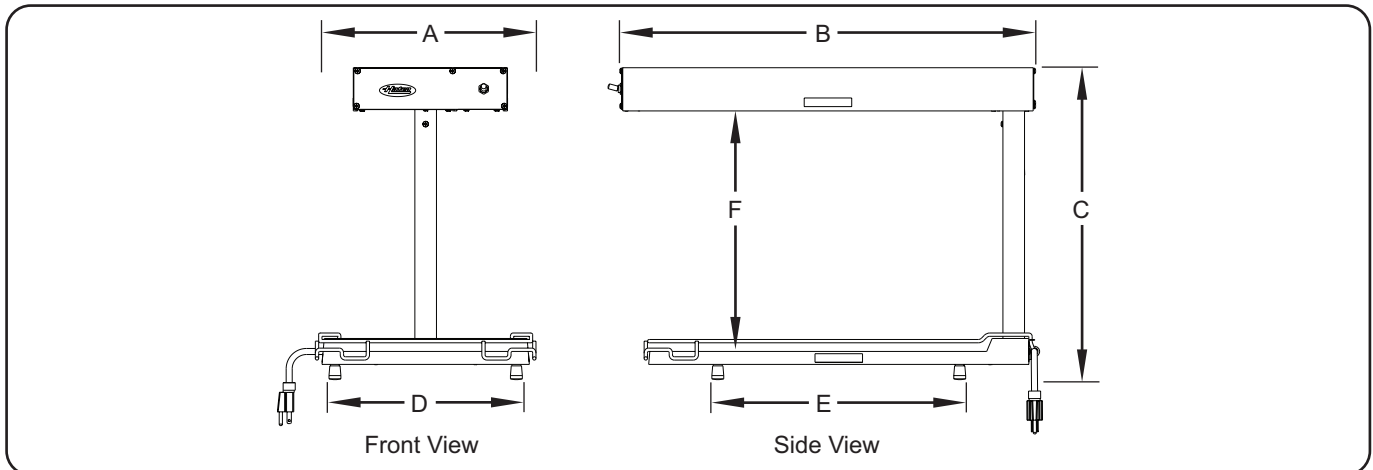
Model	Width (A)	Depth (B)	Height (C)	Footprint Width (D)	Footprint Depth (E)	Interior Height (F)
GRFFB	12-3/4" (324 mm)	24" (610 mm)	18" * (457 mm)	11-3/16" (284 mm)	14-11/16" (373 mm)	14" ** (356 mm)
GRFFBL	12-3/4" (324 mm)	24" (610 mm)	18" * (457 mm)	11-3/16" (284 mm)	14-11/16" (373 mm)	14" ** (356 mm)
UGFFB	12-3/4" (324 mm)	22-1/2" (572 mm)	22" • (559 mm)	11-3/16" (284 mm)	14-11/16" (373 mm)	18" ◻ (457 mm)
UGFFBL	12-3/4" (324 mm)	22-1/2" (572 mm)	22" • (559 mm)	11-3/16" (284 mm)	14-11/16" (373 mm)	18" ◻ (457 mm)

* 18" (457 mm) Height (C) is standard. Optional heights, not available for retro-fit are 16" (406 mm) and 20" (508 mm).

** 14" (356 mm) Interior Height (F) is standard. Optional interior heights, not available for retro-fit are 12" (305 mm) and 16" (406 mm).

• 22" (559 mm) Height (C) is standard. Optional heights, not available for retro-fit are, 18-1/2" (470 mm), 19" (483 mm), 20-3/4" (527 mm), and 23" (584 mm).

◻ 18" (457 mm) Interior Height (F) is standard. Optional interior heights, not available for retro-fit are, 14-1/2" (368 mm), 15" (381 mm), 16-3/4" (425 mm), and 19" (483 mm).



GRFFB and UGFFB Series Dimensions

INSTALLATION

General

Glo-Ray® and Ultra-Glo® Portable Foodwarmers are shipped from the factory with most components pre-assembled. Care should be taken when unpacking shipping carton to avoid damage to unit and the components enclosed.

⚠ WARNING

ELECTRIC SHOCK HAZARD: Unit is not weatherproof. Locate unit indoors where ambient air temperature is a minimum of 70°F (21°C).

FIRE HAZARD:

- Locate unit a minimum of 2" (51 mm) from combustible walls and materials. If safe distances are not maintained, combustion or discoloration could occur.
- Secure top housing to base before turning on power.
- Do not place anything on top of unit.

⚠ CAUTION

Locate unit at proper counter height in an area that is convenient for use. Location should be level to prevent unit or its contents from falling accidentally and strong enough to support the weight of the unit and contents.

Do not place anything on top of unit; doing so may subject personnel to injury or could damage unit.

Standard and approved manufacturing oils may smoke up to 30 minutes during initial startup. This is a temporary condition. Operate unit without food product until smoke dissipates.

NOTICE

Damage to any countertop material caused by heat generated from Hatco equipment is not covered under the Hatco warranty. Contact manufacturer of countertop material for application information.

NOTE: Unit must be transported in the upright position.

1. Remove the unit from the carton.

NOTE: To prevent delay in obtaining warranty coverage, complete online warranty registration. See the IMPORTANT OWNER INFORMATION section for details.

2. Remove tape and protective packaging from all surfaces of the unit and any accessories.

NOTICE

Do not lay unit on the side with the control panel. Damage to unit could occur.

Assembly

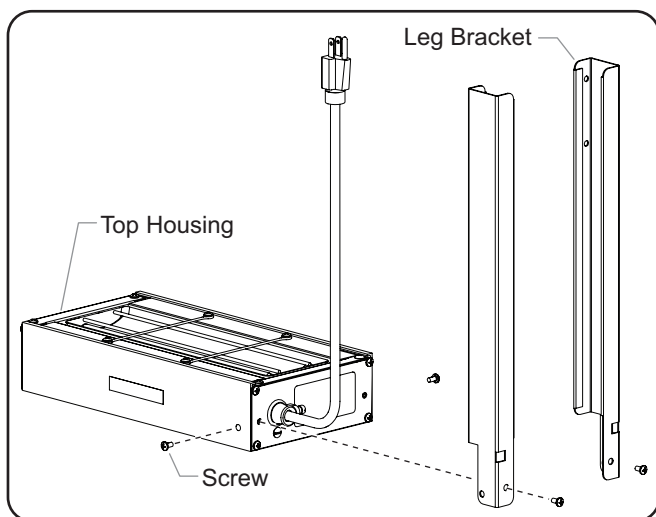
GR-B Model

Model GR-B is preassembled. Follow unpacking instructions before operating unit.

GRFF, GRFFL, UGFF, and UGFFL Models

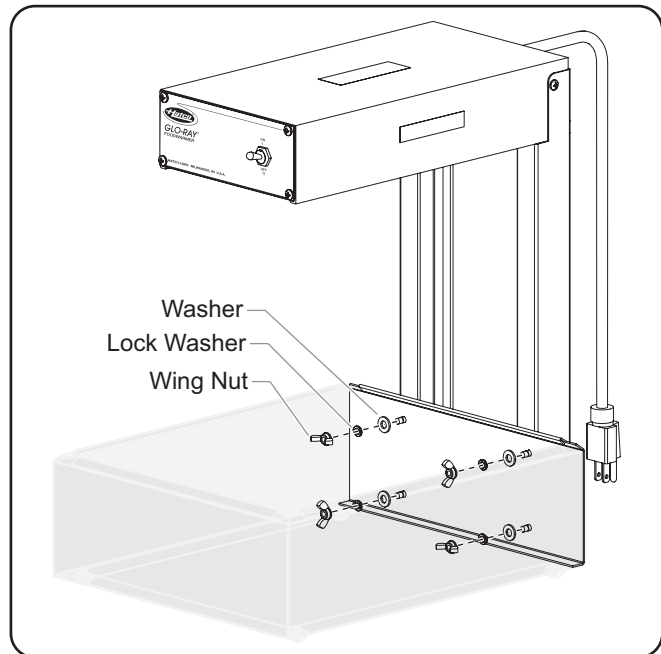
NOTE: A Phillips Screwdriver is required for this assembly.

1. Remove top housing, leg brackets, and base unit from carton and set parts on a non-scratch surface.
2. Remove all packaging materials from unit.
3. Position the top housing, element side up, on a non-scratch surface.
4. Using the four screws provided attach both leg brackets to the top housing.



Assembly of Top Housing and Leg Bracket

5. Secure top assembly to base unit using the four sets of lock washers and wing nuts provided.

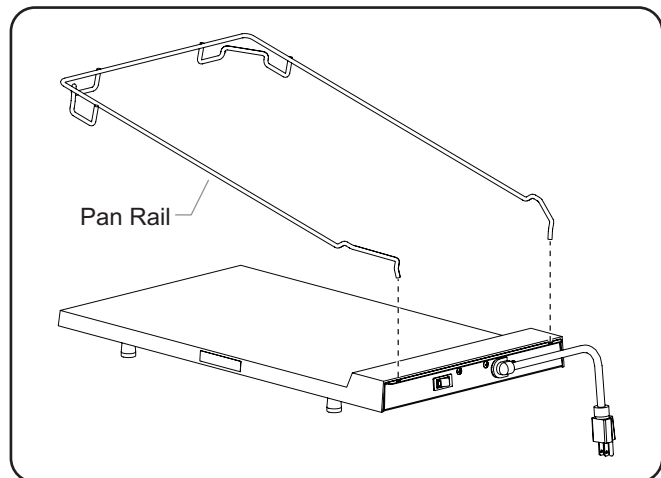


Assembly of Top Housing/Leg Brackets to Base Unit

6. Place unit in desired location.

GRFFB, GRFFBL, UGFFB, and UGFFBL Models

1. Remove Portable Foodwarmer from carton and set pre-assembled unit upright.
2. Remove all packaging materials from unit.
3. Insert chrome pan rail open end first.
4. Push adjacent end down firmly so the chrome pan rail rests on top of base unit.



Assembly of Chrome Pan Rail

5. Place unit in desired location.

NOTE: When transporting Portable Foodwarmers, always allow unit to cool down before moving it. Be sure to support top housing and base unit together.

General

Use the following procedure to operate a Glo-Ray® and Ultra-Glo® Portable Foodwarmers.

⚠ WARNING

Read all safety messages in the **IMPORTANT SAFETY INFORMATION** section before operating this equipment.

⚠ CAUTION

Always operate unit with food pans installed.

1. Plug the unit into a properly grounded electrical receptacle of the correct voltage, size, and plug configuration. See the SPECIFICATIONS section for details.
2. Place empty food pans onto base.
3. Move the Power I/O (on/off) switch to the **I** (on) position.
 - For units equipped with optional Infinite Switch, turn control to desired setting.
 - For **GR-B** models, move the I/O (on/off) rocker switch to the **I** (on) position.
4. Allow 15–20 minutes for the unit to reach operating temperature.
5. For models equipped with lights, flip the Power I/O (on/off) Toggle Switch to the **I** (on) position or turn optional infinite control to energize the lights.

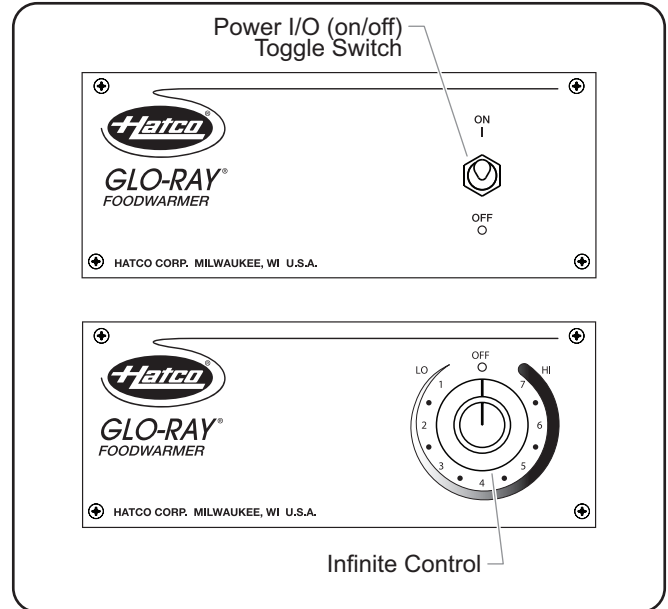
⚠ CAUTION

BURN HAZARD: Some exterior surfaces on unit will get hot. Use caution when touching these areas.

NOTE: The unit comes equipped with an internal thermostat that is factory preset. If an adjustment is necessary, please consult factory.

Shutdown

1. Move the Power I/O (on/off) Switch to the **O** (off) position.
 - For units equipped with optional Infinite Switch, turn control to desired setting.
 - For **GR-B** models, move the I/O (on/off) rocker switch to the **O** (off) position.



Control Panel (**GR-B** not shown)

MAINTENANCE

General

Portable Foodwarmers are designed for maximum durability and performance with minimum maintenance.

⚠ WARNING

ELECTRIC SHOCK HAZARD:

- Turn **OFF** power switch, unplug power cord, and allow unit to cool before performing any cleaning, adjustments, or maintenance.
- **DO NOT** submerge or saturate with water. Unit is not waterproof. Do not operate if unit has been submerged or saturated with water.
- This unit is not “jet-proof” construction. Do not use jet-clean spray to clean this unit.
- Do not steam clean or use excessive water on unit.
- Use only Genuine Hatco Replacement Parts when service is required. Failure to use Genuine Hatco Replacement Parts will void all warranties and may subject operators of the equipment to hazardous electrical voltage, resulting in electrical **shock** or burn. Genuine Hatco Replacement Parts are specified to operate safely in the environments in which they are used. Some aftermarket or generic replacement parts do not have the characteristics that will allow them to operate safely in Hatco equipment.

⚠ WARNING

This unit has no “user-serviceable” parts. If service is required on this unit, contact an Authorized Hatco Service Agent or contact the Hatco Service Department at 800-558-0607 or 414-671-6350.

NOTICE

Use non-abrasive cleaners and cloths only. Abrasive cleaners and cloths could scratch finish of unit, marring its appearance and making it susceptible to soil accumulation.

Daily Cleaning

To preserve the finish of the Foodwarmers, perform the following cleaning procedure daily.

1. Turn off unit, unplug the power cord, and allow unit to cool.
2. Remove any accessories for proper cleaning in a dishwasher or wash sink.
3. Wipe all metal surfaces with a damp, non-abrasive cloth. Stubborn stains may be removed with a good, non-abrasive cleaner. Clean hard to reach areas using a small brush and mild soap.
4. Wipe dry the entire unit using a dry, non-abrasive cloth.

Replacing a Display Light Bulb



Use only light bulbs that meet or exceed National Sanitation Foundation (NSF) standards and are specifically designed for food holding areas. Breakage of light bulbs not specially coated could result in personal injury and/or food contamination.

The display lights illuminate the warming area. Each bulb has a special coating to guard against injury and food contamination in the event of breakage.

1. Turn off the unit, unplug the power cord, and allow the unit to cool.
2. Unscrew the light bulb from the unit and replace it with a new, specially-coated display light.

NOTE: Hatco shatter-resistant incandescent light bulbs meet NSF standards for food holding and display areas. For 120 V applications, use Hatco P/N 02.30.265.00. For 220, 240, 220–230, and 230–240 V applications, use Hatco P/N 02.30.266.00.

NOTE: Shatter-resistant halogen bulbs are available in place of the standard incandescent bulbs. Halogen bulbs have a special coating to guard against injury and food contamination in the event of breakage. For 120 V units, use Hatco P/N 02.30.081.00.

NOTE: Refer to the OPTIONS AND ACCESSORIES section for Chef LED information.

TROUBLESHOOTING GUIDE



This unit must be serviced by qualified personnel only. Service by unqualified personnel may lead to electric shock or burn.



ELECTRIC SHOCK HAZARD: Turn OFF power switch, unplug power cord, and allow unit to cool before performing any cleaning, adjustments, or maintenance.

Symptom	Probable Cause	Corrective Action
Unit is ON but there is no heat.	No power to the unit.	Check circuit breaker and reset as necessary. If power cord connected, check for damage to cord. If power cord connected, check electrical receptacle.
	Switch is defective.	Contact Authorized Service Agent or Hatco for assistance.
	Faulty wiring.	
	Heating element(s) are defective.	
Heat is inadequate.	Excessive air movement around unit.	Restrict or redirect air movement (exterior doors, air conditioning duct, exhaust fan, etc.) away from unit.
	Incorrect power supply (low).	Check power supply to unit, making sure it matches rating on the unit. If power supply is incorrect, change to match rating on unit.
	Heating element(s) are defective.	Contact Authorized Service Agent or Hatco for assistance.
Heat is excessive.	Voltage supply too high.	Check power supply to unit, making sure it matches rating on the unit. If power supply is incorrect, change to match rating on unit.

Troubleshooting Questions?

If you continue to have problems resolving an issue, please contact the nearest Authorized Hatco Service Agency or Hatco for assistance. To locate the nearest Service Agency, log onto the Hatco website at www.hatcocorp.com, select the *Support* pull-down menu, and click on “Find A Service Agent”; or contact the **Hatco Parts and Service Team** at:

Telephone: 800-558-0607 or 414-671-6350

e-mail: support@hatcocorp.com

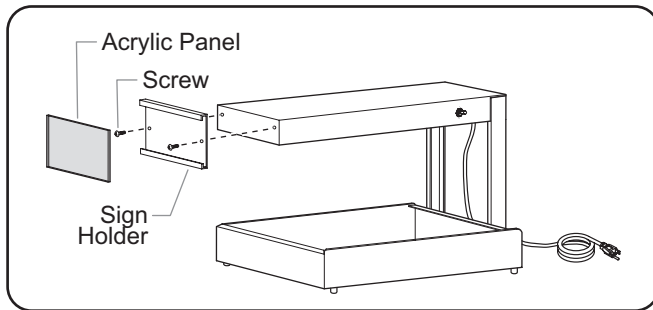
Sign Holder

The optional 9" (229 mm) width x 5-1/2" (140 mm) height display sign holder is also available for the Portable Foodwarmer used in a self serve area. (Sign not included.)

NOTE: Display sign holder is only available on the **GRFFL** model with toggle switch.

To install the optional sign holder follow these instructions:

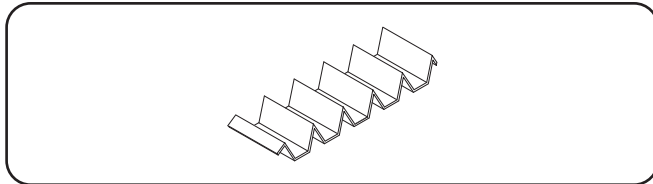
1. Remove two outer screws from front of unit.
2. Install sign holder using original screws.
3. Install sign (not provided) and acrylic panel.



Installing Optional Sign Holder (GRFFL Model with Toggle Switch)

Five Pleat Hardcoated Fry Box Ribbon

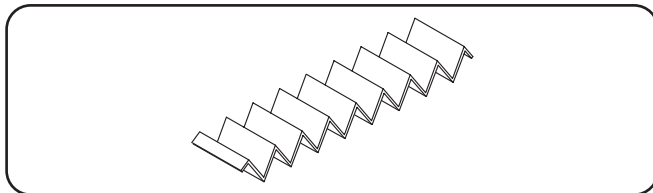
A five (5) pleated hardcoated fry box ribbon can be added to hold french fry boxes.



Five Pleat Fry Box Ribbon

Eight Pleat Hardcoated Fry Bag Ribbon

An eight (8) pleated hardcoated fry bag ribbon can be added to hold french fry bags.



Eight Pleat Fry Bag Ribbon

Infinite Control

An optional infinite control is available for a more precise temperature control. Infinite controls are NOT field retrofittable.

NOTE: Optional infinite control is not available on the **GR-B** Model, **UGFF** series, or units with sign holders.

Food Holding Pans

Third, half and full size stainless steel food holding pans available.

Wire Trivets

Quarter, half and full size wire trivets in stainless steel or plated finish.

Chef LED Bulbs

Chef LED bulbs are LED light bulbs that offer energy savings over incandescent bulbs. Use the following for replacement bulbs:

120 Volts

2700K: [R02.30.185.01](#)

3000K: [R02.30.195.01](#)

4000K: [R02.30.196.01](#)

230 Volts

2700K: [R02.30.197.01](#)

3000K: [R02.30.198.01](#)

4000K: [R02.30.199.01](#)

1. PRODUCT WARRANTY

Hatco warrants the products that it manufactures (the "Products") to be free from defects in materials and workmanship, under normal use and service, for a period of one (1) year from the date of purchase when installed and maintained in accordance with Hatco's written instructions or 18 months from the date of shipment from Hatco. Buyer must establish the Product's purchase date by registering the Product with Hatco or by other means satisfactory to Hatco in its sole discretion.

Hatco warrants the following Product components to be free from defects in materials and workmanship from the date of purchase (subject to the foregoing conditions) for the period(s) of time and on the conditions listed below:

a) One (1) Year Parts and Labor PLUS One (1) Additional Year Parts-Only Warranty:

Conveyor Toaster Elements (metal sheathed)
Drawer Warmer Elements (metal sheathed)
Drawer Warmer Drawer Rollers and Slides
Strip Heater Elements (metal sheathed)
Display Warmer Elements (metal sheathed air heating)
Holding Cabinet Elements (metal sheathed air heating)
Heated Well Elements — HW and HWB Series
(metal sheathed)

b) Two (2) Year Parts and Labor Warranty:

Induction Ranges
Induction Warmers

c) One (1) Year Parts and Labor PLUS Four (4) Years Parts-Only Warranty:

3CS and FR Tanks

d) One (1) Year Parts and Labor PLUS Nine (9) Years Parts-Only Warranty on:

Electric Booster Heater Tanks
Gas Booster Heater Tanks

e) Ninety (90) Day Parts-Only Warranty:

Replacement Parts

THE FOREGOING WARRANTIES ARE EXCLUSIVE AND IN LIEU OF ANY OTHER WARRANTY, EXPRESSED OR IMPLIED, INCLUDING BUT NOT LIMITED TO ANY IMPLIED WARRANTY OF MERCHANTABILITY OR FITNESS FOR A PARTICULAR PURPOSE OR PATENT OR OTHER INTELLECTUAL PROPERTY RIGHT INFRINGEMENT. Without limiting the generality of the foregoing, SUCH WARRANTIES DO NOT COVER: Coated incandescent light bulbs, fluorescent lights, heat lamp bulbs, coated halogen light bulbs, halogen heat lamp bulbs, xenon light bulbs, LED light tubes, glass components, and fuses; Product failure in booster tank, fin tube heat exchanger, or other water heating equipment caused by liming, sediment buildup, chemical attack, or freezing; or Product misuse, tampering or misapplication, improper installation, or application of improper voltage.

2. LIMITATION OF REMEDIES AND DAMAGES

Hatco's liability and Buyer's exclusive remedy hereunder will be limited solely, at Hatco's option, to repair or replacement using new or refurbished parts or Product by Hatco or a Hatco-authorized service agency (other than where Buyer is located outside of the United States, Canada, United Kingdom, or Australia, in which case Hatco's liability and Buyer's exclusive remedy hereunder will be limited solely to replacement of part under warranty) with respect to any claim made within the applicable warranty period referred to above. Hatco reserves the right to accept or reject any such claim in whole or in part. In the context of this Limited Warranty, "refurbished" means a part or Product that has been returned to its original specifications by Hatco or a Hatco-authorized service agency. Hatco will not accept the return of any Product without prior written approval from Hatco, and all such approved returns shall be made at Buyer's sole expense. HATCO WILL NOT BE LIABLE, UNDER ANY CIRCUMSTANCES, FOR CONSEQUENTIAL OR INCIDENTAL DAMAGES, INCLUDING BUT NOT LIMITED TO LABOR COSTS OR LOST PROFITS RESULTING FROM THE USE OF OR INABILITY TO USE THE PRODUCTS OR FROM THE PRODUCTS BEING INCORPORATED IN OR BECOMING A COMPONENT OF ANY OTHER PRODUCT OR GOODS.

Informations Importantes pour le Propriétaire.....	15	Mode d'emploi	24
Introduction.....	15	Généralités	24
Consignes de Sécurité Importantes	16	Maintenance.....	24
Description du Modèle.....	17	Généralités	24
Désignation du Modèle	18	Nettoyage quotidien.....	24
Caractéristiques Techniques	18	Remplacement d'une Ampoule	25
Configuration des Fiches.....	18	Guide de Dépannage.....	25
Tableau des valeurs nominales électriques	19	Options et Accessoires	26
Dimensions	21	Garantie Limitée	27
Installation.....	22	Autorisés Distributeurs de Pièces.....	Couverture Arrière
Généralités	22		

INFORMATIONS IMPORTANTES POUR LE PROPRIÉTAIRE

Noter le numéro de modèle, le numéro de série (étiquette des caractéristiques techniques située sur l'appareil), le voltage et la date d'achat de votre appareil ci-dessous. Veuillez avoir cette information à portée de la main si vous appelez Hatco pour assistance.

Modèle No. _____

Numéro de série _____

Voltage _____

Date d'achat _____

Enregistrez votre appareil!

Remplissez la garantie en ligne pour éviter les retards pour faire jouer la garantie. Accédez au site Web Hatco www.hatcocorp.com, sélectionnez le menu déroulant *Support (Assistance)*, puis cliquez sur « Warranty » (Garantie).

Horaires

ouvrables : 7h00 à 17h00 du lundi au vendredi
Heure du Centre (CT)
(Horaires d'été : juin à septembre—
7h00 à 17h00 du lundi au jeudi
7h00 à 16h00 le vendredi)

Téléphone: 800-558-0607; 414-671-6350

Courriel: support@hatcocorp.com



Service d'assistance et de pièces de rechange disponible 7j/7, 24h/24 aux États-Unis et au Canada en composant le 800-558-0607.

Des renseignements supplémentaires sont disponibles sur notre site Web à www.hatcocorp.com.

INTRODUCTION

Les présentoirs chauffants portatifs Hatco Glo-Ray® et Ultra-Glo® sont conçus pour fournir des profils de chaleur idéaux grâce à une commande de température précise pour veiller à la qualité et à la sécurité des aliments. Le profil de chaleur pré-focalisé empêche les aliments d'être trop cuits au milieu et tièdes sur les bords en concentrant des températures plus élevées vers les bords extérieurs des surfaces de maintien où la perte de chaleur est la plus importante. Des options de chauffage flexibles optimisent la conservation d'aliments chauds et réduisent le risque de maladie d'origine alimentaire. Les présentoirs chauffants portatifs conservent des températures optimales de service plus longtemps sans poursuivre la cuisson des aliments.

Les profils de chaleur pyramidaux du modèle Hatco Ultra-Glo en céramique créent une chaleur intense offrant un espace de travail plus grand entre l'élément de chauffage et la surface de maintien.

Les présentoirs chauffants portatifs Glo-Ray et Ultra-Glo sont livrés avec ou sans tubes d'éclairage antichocs pour éclairer la zone de chauffage. Ces ampoules possèdent un enduit spécial destiné à éviter toute blessure et toute contamination des éléments en cas de casse.

Les présentoirs chauffants portatifs de Hatco sont issus de recherches avancées et de tests intensifs sur le terrain. Les matériaux utilisés ont été sélectionnés pour une durabilité maximale, un aspect esthétique et une performance optimale. Chaque appareil est soigneusement inspecté et testé avant expédition.

Ce manuel fournit les instructions concernant l'installation, la sécurité et le fonctionnement des présentoirs chauffants portatifs. Il est recommandé de lire toutes les instructions d'installation, de sécurité et de fonctionnement contenues dans ce manuel avant d'installer et d'utiliser le Chauffe-frites.

Les consignes de sécurité qui apparaissent dans ce manuel sont identifiées par les mots indicateurs suivants :

AVERTISSEMENT

AVERTISSEMENT indique une situation dangereuse qui, si elle n'est pas évitée, peut provoquer la mort ou des blessures graves.

ATTENTION

ATTENTION indique une situation dangereuse qui, si elle n'est pas évitée, peut provoquer des blessures légères ou moyennes.

AVIS

AVIS est utilisé pour des questions sans rapport avec des blessures corporelles.



Lisez l'information de sécurité importante suivante avant d'utiliser cet équipement pour éviter des dommages ou la mort sérieux et pour éviter d'endommager l'équipement ou la propriété.

⚠ AVERTISSEMENT

DANGER DE DÉCHARGE ÉLECTRIQUE :

- Brancher l'appareil sur une prise de courant avec terre de tension, de format et de configuration des broches corrects. Si la fiche et la prise ne se correspondent pas, s'adresser à un électricien qualifié pour déterminer et installer une prise de courant de format et de tension corrects.
- Mettez l'unité hors tension depuis l'interrupteur, débranchez le cordon d'alimentation et laissez l'unité refroidir avant d'effectuer tout nettoyage, tout réglage ou tout entretien.
- **NE PAS immerger l'appareil ni le saturer d'eau.** L'appareil n'est pas étanche à l'eau. Ne pas le faire fonctionner s'il a été immergé ou saturé d'eau.
- L'appareil n'est pas à l'épreuve des intempéries. Placer l'appareil à l'intérieur à une température ambiante de 70°F (21°C) minimum.
- Ne pas nettoyer à la vapeur ni utiliser trop d'eau sur l'appareil.
- Cet appareil n'est pas étanche aux jets. Ne pas utiliser de jet sous pression pour nettoyer l'appareil.
- Ne pas tirer l'appareil par son cordon électrique.
- Ne pas utiliser l'appareil si le cordon est endommagé ou usé.
- Ne pas tenter de réparer ni de changer un cordon électrique endommagé. Ce cordon doit être changé par Hatco, par un réparateur Hatco agréé ou par une personne de qualifications comparables.
- Ne pas nettoyer l'appareil lorsqu'il est sous tension ou chaud.
- Ne pas renverser de liquide dans l'appareil.
- Pour les réparations, utiliser exclusivement des pièces de rechange Hatco d'origine. Utilisez des pièces détachées Hatco authentiques sous peine d'annuler toutes les garanties et d'exposer l'utilisateur à des tensions électriques dangereuses pouvant entraîner une électrocution ou des brûlures. Les pièces de rechange Hatco d'origine sont conçues pour fonctionner sans danger dans les environnements dans lesquels elles sont utilisées. Certaines pièces de rechange génériques ou de second marché ne présentent pas les caractéristiques leur permettant de fonctionner sans danger dans la matériel Hatco.

DANGER D'INCENDIE :

- Placer l'appareil à un minimum de 2" (51 mm) des parois et matières combustibles. Si une distance sûre n'est pas maintenue, la chaleur peut provoquer une combustion ou une altération de couleur.
- Fixez le boîtier supérieur à la base avant de mettre sous tension.
- Ne déposez aucun objet combustible sur le dessus de l'appareil.

RISQUE D'EXPLOSION : Ne conservez pas ou n'utilisez pas d'essence ou d'autres vapeurs ou liquides inflammables à proximité de ce four ou de tout autre appareil.

⚠ AVERTISSEMENT

N'utilisez que des ampoules électriques qui correspondent ou qui surpassent les normes de la Fondation Nationale des Affaires Sanitaires (NSF) et qui sont spécifiquement conçues pour les espaces de conservation des aliments. Les bris d'une ampoule électrique non-opalisée peuvent provoquer des dommages corporels et/ou une contamination des aliments.

Assurez-vous que tous les opérateurs ont été formés à l'utilisation sûre et correcte de l'appareil.

Cet appareil ne doit pas être utilisé par des enfants ou des personnes avec des capacités physiques, sensorielles ou mentales diminuées. Assurez-vous que les enfants sont bien surveillés et tenez-les à l'écart de l'appareil.

Cet appareil ne contient aucune pièce réparable par l'utilisateur. Si cet appareil doit être réparé, contacter un réparateur Hatco agréé ou le Service après-vente Hatco au 800-558-0607 ou 414-671-6350.

⚠ ATTENTION

DANGER DE BRÛLURE : Certaines surfaces extérieures de l'appareil deviennent chaudes. Toucher ces zones de l'appareil avec précaution.

Placer l'appareil sur un plan de travail de hauteur correcte à un endroit qui convient pour son utilisation. Le support doit être de niveau pour éviter toute chute accidentelle du grille-pain ou de son contenu et suffisamment solide pour résister au poids de l'appareil et de son contenu.

Ne déposez aucun objet sur le dessus de l'appareil ; le non-respect de cette consigne pourrait causer des blessures au personnel ou des dommages à l'équipement.

Les huiles de fabrication standard et approuvées pourront fumer pendant 30 minutes après l'allumage initial. C'est un problème temporaire. Utilisez l'appareil à vide jusqu'à dissipation de la fumée.

Faites toujours fonctionner l'appareil avec des bacs alimentaires installés.

AVIS

Les dommages à toute partie du comptoir pouvant être causés par la chaleur générée par l'équipement de Hatco ne sont pas couverts par la garantie de Hatco. Contactez le fabricant du comptoir pour plus de renseignements.

Utiliser uniquement des produits nettoyants non abrasifs. Les produits nettoyants abrasifs peuvent rayer la finition de l'appareil, ce qui altère son apparence et le rend plus susceptible d'accumuler la saleté.

Ne pas poser l'appareil sur le côté du panneau de commande sous peine de l'endommager.

Nettoyez l'unité quotidiennement pour éviter les dysfonctionnements et assurer un fonctionnement sain.

Placez l'appareil loin des zones de circulation d'air telles que les hottes, les événements, les portes extérieures, etc.

Tous les Modèles

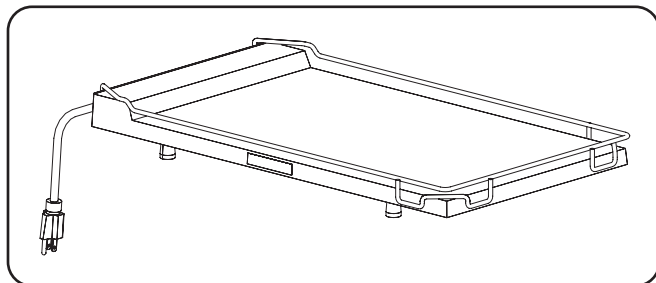
Glo-Ray® et Ultra-Glo® Les présentoirs chauffants portatifs maintiendront vos aliments chauds à des températures optimales, sans qu'ils ne cuisent ou ne se dessèchent. Tous les modèles sont équipés d'un cordon d'alimentation de 1 829mm (6 pi) et d'une prise installés en usine.

NOTA: Le contrôle infini en option n'est pas disponible sur les modèles GR-B, les modèles Ultra-Glo ou les appareils avec support de panneau.

Différents accessoires et options sont disponibles pour personnaliser votre chauffe-frites. Pour tout détail, reportez-vous à la section OPTIONS ET ACCESSOIRES, vers la fin de ce manuel.

Modèles GR-B Models

Les modèles à base chauffante GR-B se composent d'une base en aluminium moulé avec un élément chauffant intégré, d'une commande de température intégrée et d'un interrupteur à bascule marche/arrêt.

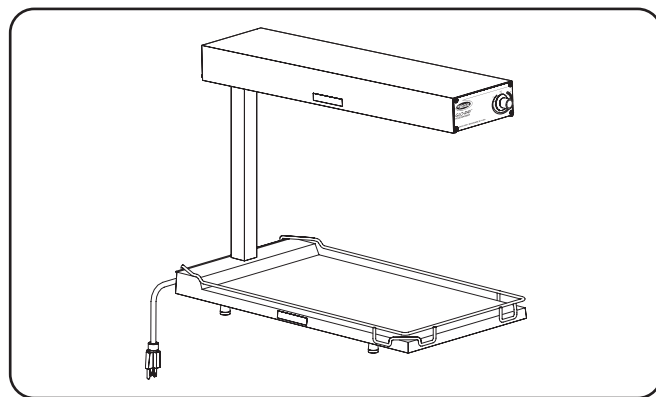


Modèle GR-B

Modèles GRFF, GRFFL, GRFFB, et GRFFBL

Les modèles GRFF, GRFFL, GRFFB et GRFFBL ont des boîtiers en aluminium équipés d'un élément chauffant infrarouge à gaine métallique, d'un interrupteur à bascule marche/arrêt et d'un cordon pré-câblé standard de 1 829mm (6') avec prise. Le présentoir chauffant portatif a un chauffage à la base en option, des tubes d'éclairage, un contrôle infini et un support de panneau d'affichage (panneau non inclus). L'appareil est également disponible en six couleurs Designer.

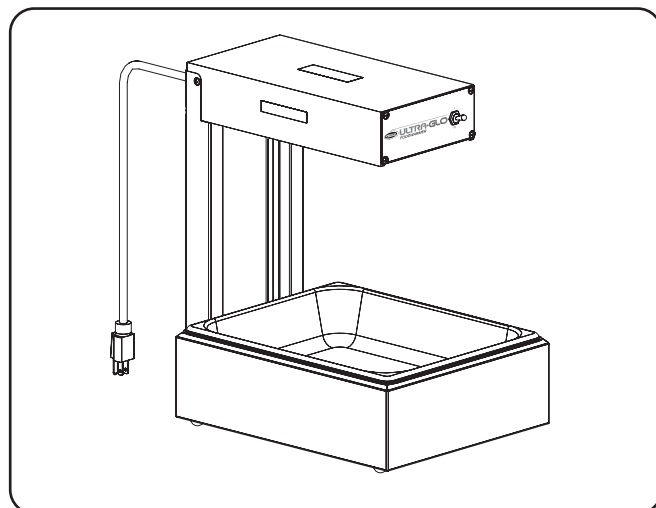
NOTA: Les modèles GRFFB et GRFFBL sont équipés d'un dessus pivotant pour fournir un accès rapide et facile aux produits alimentaires.



Modèle GRFF

Modèles UGFF, UGFFL, UGFFB, et UGFFBL

Les modèles UGFF, UGFFL, UGFFB, et UGFFBL ont des boîtiers en aluminium équipés d'un élément chauffant supérieur compact en céramique, d'un interrupteur à bascule marche/arrêt et d'un cordon pré-câblé standard de 1 829mm (6') avec prise. Le présentoir chauffant portatif a un chauffage à la base en option, des tubes d'éclairage, et est aussi disponible en cinq finitions brillant translucide.



Modèle UGFF

Tableau des valeurs nominales électriques — Séries **GR-B** et **GGFF**

Modèle	Tension	Intensité	Amps	Configuration de Fiches	Poids d'embarquement
GR-B	120	250	2.1	NEMA 5-15P	7 kg (16 lbs.)
	220	210	1.0	CEE 7/7 Schuko	7 kg (16 lbs.)
	240	250		BS-1363	
	220-230	210-230	1.0-1.0	CEE 7/7 Schuko	
	230-240	230-250		BS-1363	
GRFF	100	500	5.0	NEMA 5-15P	
	120	500	4.2	NEMA 5-15P	7 kg (16 lbs.)
	220	500	2.3	CEE 7/7 Schuko	7 kg (16 lbs.)
	240	500	2.1	BS-1363	
	220-230	500-546	2.3-2.4	CEE 7/7 Schuko	
	230-240	459-500	2.0-2.1	BS-1363	
GRFFL	100	584	5.8	NEMA 5-15P	8 kg (18 lbs.)
	120	620	5.2	NEMA 5-15P	8 kg (18 lbs.)
	220	600	2.7	CEE 7/7 Schuko	8 kg (18 lbs.)
	240	620	2.6	BS-1363	
	220-230	600-656	2.7-2.9	CEE 7/7 Schuko	
	230-240	569-620	2.5-2.6	BS-1363	
GRFFB	100	750	7.5	NEMA 5-15P	12 kg (26 lbs.)
	120	750	6.3	NEMA 5-15P	12 kg (26 lbs.)
	220	710	3.2	CEE 7/7 Schuko	12 kg (26 lbs.)
	240	750	3.1	BS-1363	
	220-230	710-777	3.2-3.4	CEE 7/7 Schuko	
	230-240	689-750	3.0-3.1	BS-1363	
GRFFBL	100	870	8.7	NEMA 5-15P	14 kg (31 lbs.)
	120	870	7.3	NEMA 5-15P	14 kg (31 lbs.)
	220	810	3.7	CEE 7/7 Schuko	14 kg (31 lbs.)
	240	870	3.6	BS-1363	
	220-230	810-867	3.7-3.8	CEE 7/7 Schuko	
	230-240	799-870	3.5-3.6	BS-1363	

Les informations électriques grisées dans le tableau désignent **les modèles destinés à l'exportation uniquement**.

NOTA: Le poids d'embarquement comprend le matériel d'emballage.

Tableau des valeurs nominales électriques — Série **UGFF**

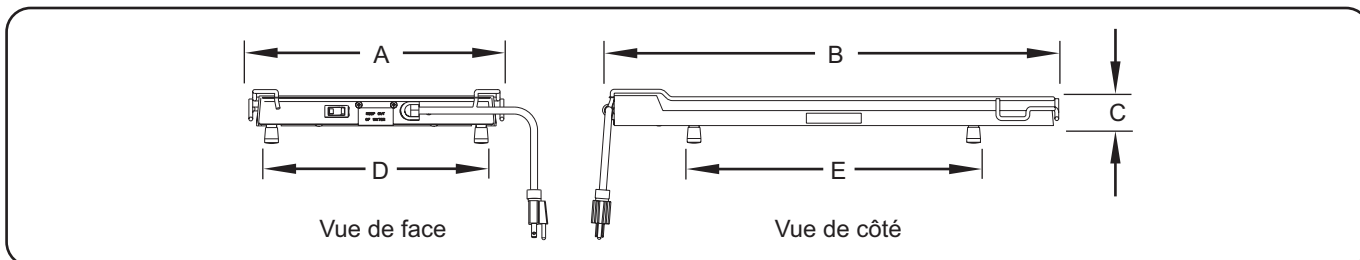
Modèle	Tension	Intensité	Amps	Configuration de Fiches	Poids d'embarquement
UGFF-.5P	120	375	3.1	NEMA 5-15P	5 kg (11 lbs.)
UGFF	100	625	6.3	NEMA 5-15P	7 kg (15 lbs.)
	120	750	6.3	NEMA 5-15P	7 kg (15 lbs.)
	220	630	2.8	CEE 7/7 Schuko	7 kg (15 lbs.)
	240	750	3.1	BS-1363	
	220–230	630–689	2.9–3.0	CEE 7/7 Schuko	
	230–240	689–750	3.0–3.1	BS-1363	
UGFFL	100	708	7.1	NEMA 5-15P	9 kg (19 lbs.)
	120	870	7.3	NEMA 5-15P	9 kg (19 lbs.)
	220	730	3.3	CEE 7/7 Schuko	9 kg (19 lbs.)
	240	870	3.6	BS-1363	
	220–230	730–799	3.3–3.5	CEE 7/7 Schuko	
	230–240	799–870	3.5–3.6	BS-1363	
UGFFB	100	875	8.8	NEMA 5-15P	12 kg (26 lbs.)
	120	1000	8.3	NEMA 5-15P	12 kg (26 lbs.)
	220	840	3.8	CEE 7/7 Schuko	12 kg (26 lbs.)
	240	1000	4.2	BS-1363	
	220–230	840–919	3.8–4.0	CEE 7/7 Schuko	
	230–240	919–1000	4.0–4.2	BS-1363	
UGFFBL	100	959	9.6	NEMA 5-15P	14 kg (31 lbs.)
	120	1120	9.3	NEMA 5-15P	14 kg (31 lbs.)
	220	940	4.3	CEE 7/7 Schuko	14 kg (31 lbs.)
	240	1120	4.7	BS-1363	
	220–230	940–1029	4.3–4.5	CEE 7/7 Schuko	
	230–240	1029–1120	4.5–4.7	BS-1363	

Les informations électriques grisées dans le tableau désignent **les modèles destinés à l'exportation uniquement**.

NOTA: Le poids d'embarquement comprend le matériel d'emballage.

Dimensions — Modèles **GR-B**

Modèle	Largeur (A)	Profondeur (B)	Hauteur (C)	Empattement Largeur (D)	Empattement Profondeur (E)
GR-B	324 mm (12-3/4")	559 mm (22")	57 mm (2-1/4")	284 mm (11-3/16")	373 mm (14-11/16")



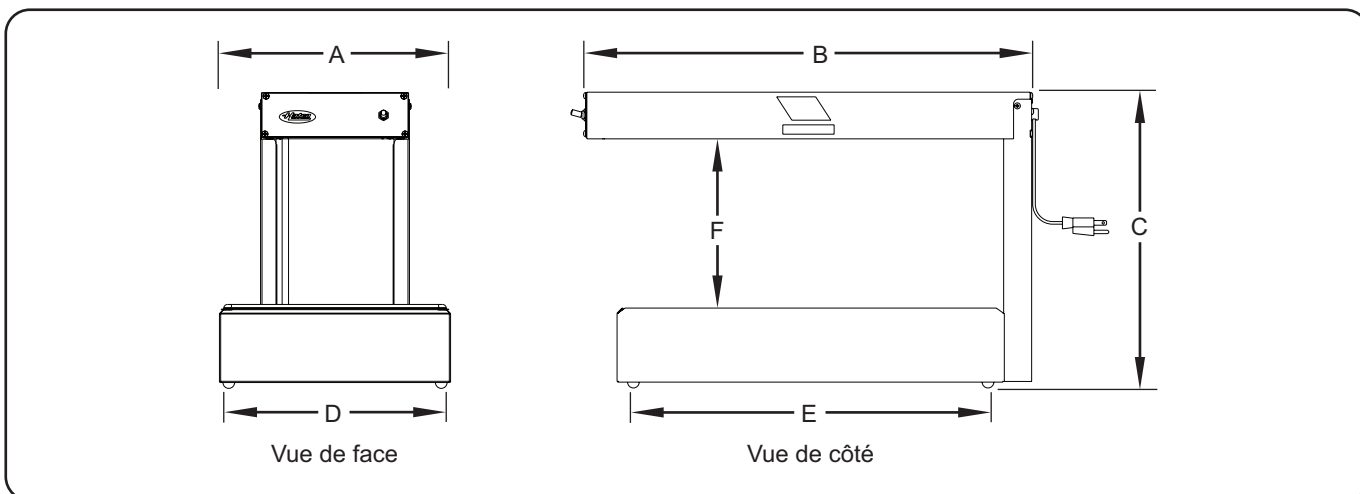
GR-B Dimensions

Dimensions — Séries **GRFF et UGFF**

Modèle	Largeur (A)	Profondeur (B)	Hauteur (C)	Empattement Largeur (D)	Empattement Profondeur (E)	Intérieur Hauteur (F)
GRFF	314 mm (12-3/8")	610 mm (24")	403 mm (15-7/8")	314 mm (12-3/8")	499 mm (19-5/8")	232 mm (9-1/8")
GRFFL	314 mm (12-3/8")	610 mm (24")	403 mm † (15-7/8")	314 mm (12-3/8")	499 mm (19-5/8")	232 mm (9-1/8")
UGFF-.5P	267 mm (10-1/2")	362 mm (14-1/4")	403 mm (15-7/8")	257 mm (10-1/8")	296 mm (11-5/8")	225 mm ‡ (8-13/16")
UGFF	314 mm (12-3/8")	565 mm (22-1/4")	479 mm (18-7/8")	314 mm (12-3/8")	499 mm (19-5/8")	305 mm (12")
UGFFL	314 mm (12-3/8")	565 mm (22-1/4")	479 mm (18-7/8")	314 mm (12-3/8")	499 mm (19-5/8")	305 mm (12")

† Ajoutez 76 mm (3") à la hauteur de l'unité lorsque vous utilisez le support de panneau d'affichage.

‡ La hauteur intérieure (F) du protège-fil à la base est de 168 mm (6 5/8").



Dimensions des séries GRFF et UGFF

Dimensions – Séries GRFFB et UGFFB

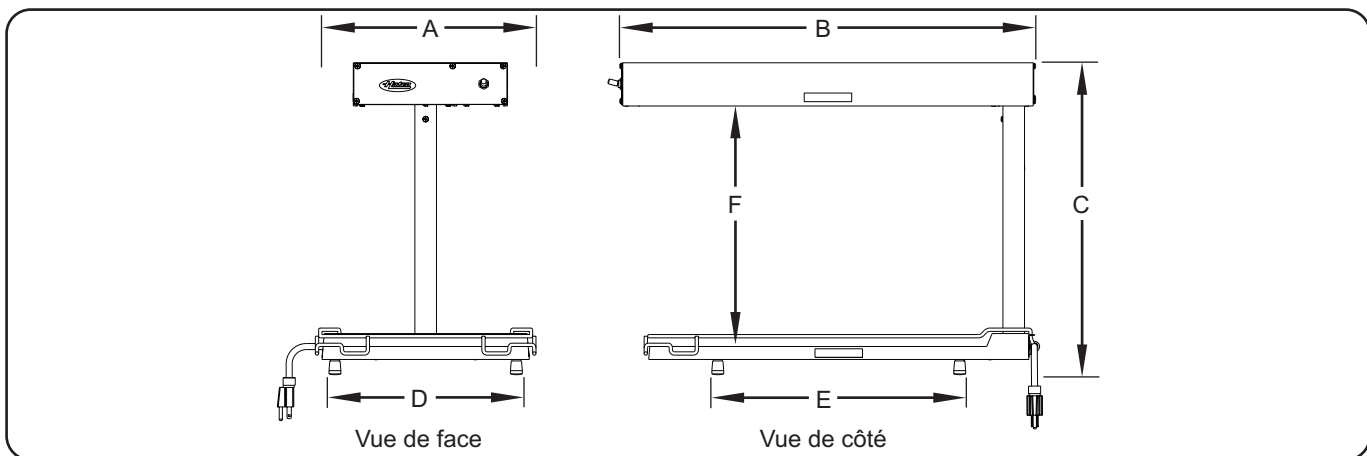
Modèle	Largeur (A)	Profondeur (B)	Hauteur (C)	Empattement Largeur (D)	Empattement Profondeur (E)	Intérieur Hauteur (F)
GRFFB	324 mm (12-3/4")	610 mm (24")	457 mm * (18")	284 mm (11-3/16")	373 mm (14-11/16")	356 mm ** (14")
GRFFBL	324 mm (12-3/4")	610 mm (24")	457 mm * (18")	284 mm (11-3/16")	373 mm (14-11/16")	356 mm ** (14")
UGFFB	324 mm (12-3/4")	572 mm (22-1/2")	559 mm • (22")	284 mm (11-3/16")	373 mm (14-11/16")	457 mm ■ (18")
UGFFBL	324 mm (12-3/4")	572 mm (22-1/2")	559 mm • (22")	284 mm (11-3/16")	373 mm (14-11/16")	457 mm ■ (18")

* 457 mm (18") de hauteur (C) est la norme. Les hauteurs en option, non disponibles pour la modernisation, sont de 406 mm (16"), et 508 mm (20").

** 356 mm (14") de hauteur intérieure (F) est la norme. Les hauteurs intérieures en option, non disponibles pour la modernisation, sont de 305 mm (12"), et 406 mm (16").

• 559 mm (22") de hauteur (C) est la norme. Les hauteurs en option, non disponibles pour la modernisation, sont de 470 mm (18-1/2"), 483 mm (19"), 527 mm (20-3/4"), et 584 mm (23").

■ 457 mm (18") de hauteur intérieure (F) est la norme. Les hauteurs intérieures en option, non disponibles pour la modernisation, sont de 368 mm (14-1/2"), 381 mm (15"), 425 mm (16-3/4"), et 483 mm (19").



Dimensions des séries GRFFB et UGFFB

INSTALLATION

Généralités

Glo-Ray® et Ultra-Glo® Les présentoirs chauffants portatifs sont expédiés de l'usine avec la plupart des composants pré-assemblés. Faire attention lors du déballage pour éviter d'endommager l'appareil et ses composants.

⚠ AVERTISSEMENT

DANGER DE DÉCHARGE ÉLECTRIQUE : L'appareil n'est pas à l'épreuve des intempéries. Placer l'appareil à l'intérieur à une température ambiante de 70°F (21°C) minimum.

FIRE HAZARD:

- Placer l'appareil à un minimum de 51 mm (2") des parois et matières combustibles. Si une distance sûre n'est pas maintenue, la chaleur peut provoquer une combustion ou une altération de couleur.
- Fixez le boîtier supérieur à la base avant de mettre sous tension.
- Ne déposez aucun objet combustible sur le dessus de l'appareil.

⚠ ATTENTION

Placer l'appareil sur un plan de travail de hauteur correcte à un endroit qui convient pour son utilisation. Le support doit être de niveau pour éviter toute chute accidentelle du grille-pain ou de son contenu et suffisamment solide pour résister au poids de l'appareil et de son contenu.

Ne déposez aucun objet sur le dessus de l'appareil ; le non-respect de cette consigne pourrait causer des blessures au personnel ou des dommages à l'équipement.

Les huiles de fabrication standard et approuvées pourront fumer pendant 30 minutes après l'allumage initial. C'est un problème temporaire. Utilisez l'appareil à vide jusqu'à dissipation de la fumée.

AVIS

Les dommages à toute partie du comptoir pouvant être causés par la chaleur générée par l'équipement de Hatco ne sont pas couverts par la garantie de Hatco. Contactez le fabricant du comptoir pour plus de renseignements.

NOTA: L'appareil doit rester droit pendant le transport.

1. Retirer l'appareil de sa boîte.
2. Retirer le ruban et le film de protection de toutes les surfaces de l'appareil.

NOTA: Pour éviter des retards dans l'obtention de la couverture de la garantie, complétez l'enregistrement en ligne de votre garantie. Lisez la section INFORMATIONS IMPORTANTES POUR LE PROPRIETAIRE pour plus de détails.

AVIS

Ne pas poser l'appareil sur le côté du panneau de commande sous peine de l'endommager.

Assemblage

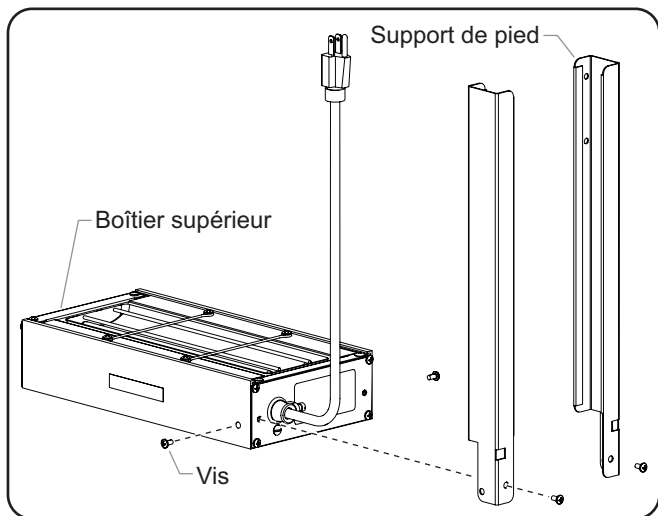
Modèle GR-B

Le modèle GR-B est pré-assemblé. Suivez les instructions de déballage avant d'utiliser l'appareil.

Modèles GRFF, GRFFL, UGFF, et UGFFL

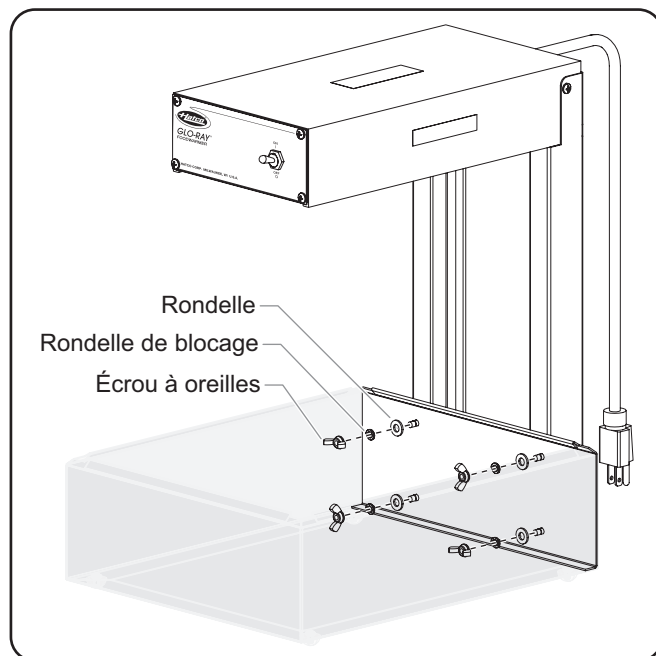
NOTA: Un tournevis cruciforme est requis pour cet assemblage.

1. Retirez le boîtier supérieur, les supports de pieds et l'unité de base et posez les pièces sur une surface non abrasive.
2. Retirez tous les emballages de l'appareil.
3. Placez le boîtier supérieur, élément vers le haut, sur une surface non abrasive.
4. À l'aide des quatre vis fournies, fixez les deux supports de pied au boîtier supérieur.



Assemblage du boîtier supérieur et du support de pied

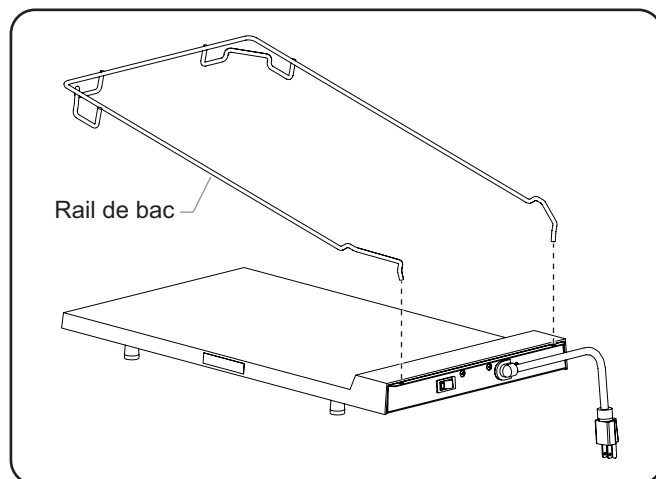
5. Fixez l'ensemble supérieur à l'unité de base à l'aide des quatre jeux de rondelles de blocage et d'écrous à oreilles fournis.
6. Placer l'appareil à l'endroit souhaité.



Assemblage du boîtier supérieur/des supports de pieds à l'unité de base

Modèles GRFFB, GRFFBL, UGFFB, et UGFFBL

1. Retirez le présentoir chauffant portatif du carton et placez l'appareil pré-assemblé à la verticale.
2. Retirez tous les emballages de l'appareil.
3. Insérez d'abord l'extrémité ouverte du rail de bac chromé.
4. Poussez fermement l'extrémité adjacente vers le bas pour que le rail de bac chromé repose sur le dessus de l'unité de base.



Assemblage du rail de bac chromé

5. Placer l'appareil à l'endroit souhaité.

NOTA: Lorsque vous transportez des présentoirs chauffants portatifs, laissez toujours l'appareil refroidir avant de le déplacer. Assurez-vous de soutenir ensemble le boîtier supérieur et l'unité de base.

Généralités

Utilisez les procédures suivantes pour faire fonctionner les présentoirs chauffants portatifs Glo-Ray® et Ultra-Glo® de Hatco.

⚠ AVERTISSEMENT

Lire tous les messages de sécurité de la section Consignes de sécurité importantes avant d'utiliser ce matériel.

⚠ ATTENTION

Faites toujours fonctionner l'appareil avec des bacs alimentaires installés.

Allumage

1. Brancher l'appareil sur une prise électrique correctement mise à la terre du type, de la taille et de la tension corrects. Voir des détails à la section CARACTÉRISTIQUES TECHNIQUES.
2. Placez les bacs à aliments vides sur la base.
3. Placer l'interrupteur de marche/arrêt sur Marche.
 - Si l'unité est équipée de l'option d'interrupteur infini, tournez la commande sur le réglage désiré.
 - Pour les modèles GR-B, mettez l'interrupteur à bascule I/O (marche/arrêt) en position « I » (marche).
4. Patientez 15 à 20 minutes afin d'atteindre une température de fonctionnement convenable.
5. Pour les modèles équipés de lumières, basculez l'interrupteur à bascule I/O (marche/arrêt) en position « I » (marche) ou tournez la commande infinie en option pour alimenter les lumières.

⚠ ATTENTION

DANGER DE BRÛLURE : Certaines surfaces extérieures de l'appareil deviennent chaudes. Toucher ces zones de l'appareil avec précaution.

MAINTENANCE

Généralités

Les présentoirs chauffants portatifs sont conçus pour une durabilité et une performance maximales avec un minimum d'entretien.

⚠ AVERTISSEMENT

DANGER DE DÉCHARGE ÉLECTRIQUE :

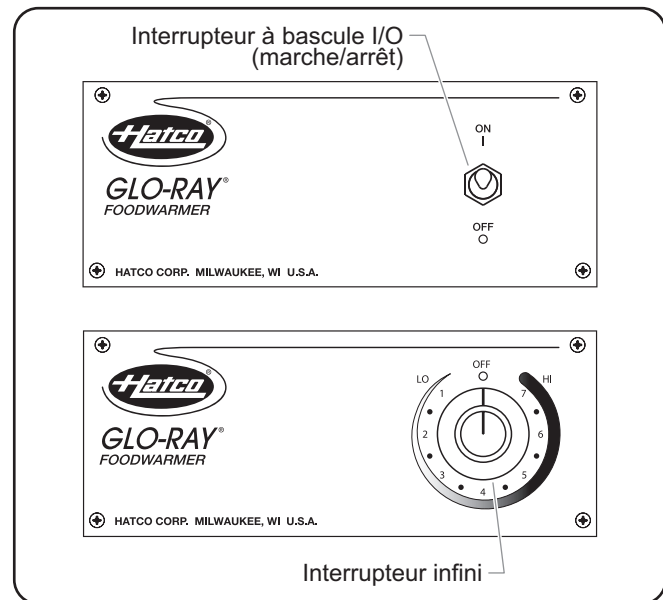
- Mettre hors tension en utilisant l'interrupteur, débranchez le cordon d'alimentation et laissez l'unité refroidir avant d'effectuer tout nettoyage, tout réglage ou tout entretien.
- NE PAS immerger l'appareil ni le saturer d'eau. L'appareil n'est pas étanche à l'eau. Ne pas le faire fonctionner s'il a été immergé ou saturé d'eau.
- Ne pas nettoyer à la vapeur ni utiliser trop d'eau sur l'appareil.
- Cet appareil n'est pas étanche aux jets. Ne pas utiliser de jet sous pression pour nettoyer l'appareil.

Cet appareil ne contient aucune pièce réparable par l'utilisateur. Si cet appareil doit être réparé, contacter un réparateur Hatco agréé ou le Service après-vente Hatco au 800-558-0607 ou 414-671-6350.

NOTA: L'appareil est muni d'un thermostat interne qui a été pré-réglé en usine. Si des réglages sont nécessaires, veuillez nous contacter.

Arrêt

1. Mettez l'interrupteur d'alimentation I/O (marche/arrêt) en position « O » (arrêt).
- Si l'unité est équipée de l'option d'interrupteur infini, tournez la commande sur le réglage désiré.
- Pour les modèles GR-B, mettez l'interrupteur à bascule I/O (marche/arrêt) en position « O » (arrêt).



Panneau de commande (GR-B non illustré)

AVIS

Utiliser uniquement des produits nettoyants non abrasifs. Les produits nettoyants abrasifs peuvent rayer la finition de l'appareil, ce qui altère son apparence et le rend plus susceptible d'accumuler la saleté.

Nettoyage quotidien

Pour préserver la finition des Présentoirs chauffants, effectuez quotidiennement la procédure de nettoyage suivante.

1. Mettre l'appareil hors tension, débrancher le cordon d'alimentation et laisser refroidir l'appareil.
2. Retirez tous les accessoires pour les laver en lave-vaisselle ou à la main.
3. Nettoyez toutes les surfaces métalliques à l'aide d'un chiffon humide non-abrasif. Les tâches persistantes pourront être retirées à l'aide d'un détergent efficace et non-abrasif. Nettoyez les zones difficiles d'accès à l'aide d'une petite brosse et de savon doux.
4. Essayez l'intégralité de l'appareil à l'aide d'un chiffon sec non-abrasif.

Remplacement d'une Ampoule

⚠ AVERTISSEMENT

N'utiliser que des ampoules électriques qui correspondent ou qui surpassent les standards de la Fondation Nationale des Affaires Sanitaires (NSF) et qui sont spécifiquement conçues pour les espaces de conservation des aliments. La casse d'ampoules électriques non enduites de manière spécifique pourrait entraîner des lésions corporelles et/ou une contamination des aliments.

Les voyants éclairent la zone de réchauffement. Chaque ampoule est recouverte d'un enduit spécial pour empêcher toute blessure et toute contamination des aliments en cas de casse.

1. Éteignez l'appareil, débranchez le cordon d'alimentation et laissez l'appareil refroidir.
2. Dévissez l'ampoule de l'appareil et remplacez-la par une nouvelle ampoule spécialement enduite.

NOTA: Les ampoules incandescentes Hatco résistantes aux chocs répondent aux normes NSF en matière de zones de conservation et de présentation des aliments. Pour les applications à 120 V, utilisez la référence 02.30.265.00 de Hatco. Pour les applications en 220, 240, 220-230 et 230-240 V, utilisez la référence 02.30.266.00 de Hatco.

NOTA: Des ampoules halogènes résistantes aux chocs peuvent être commandées pour remplacer les ampoules à incandescence classiques. Les ampoules halogènes sont recouvertes d'un enduit spécial pour empêcher toute blessure et toute contamination des aliments en cas de casse. Pour les appareils de 120 V, utilisez la référence 02.30.081.00 de Hatco.

NOTA: Pour plus de détails sur les ampoules DEL Chef, consultez le chapitre OPTIONS ET ACCESSOIRES.

GUIDE DE DÉPANNAGE

⚠ AVERTISSEMENT

La réparation de cet appareil doit être confiée exclusivement à du personnel qualifié. Les réparations par des personnes non qualifiées peuvent provoquer des décharges électriques et des brûlures.

⚠ AVERTISSEMENT

DANGER DE DÉCHARGE ÉLECTRIQUE: Débrancher le cordon électrique et laisser l'appareil refroidir avant d'effectuer son entretien ou son nettoyage ou d'essayer de le décoincer.

Symptôme	Cause Probable	Solution	
L'appareil est en marche, mais aucune chaleur n'est produite.	L'appareil n'est pas alimenté.	Vérifiez le disjoncteur et redémarrez si nécessaire. Si le cordon d'alimentation est connecté, vérifiez qu'il ne soit pas endommagé. Si le cordon d'alimentation est connecté, vérifiez la prise électrique à laquelle il est relié.	
	L'interrupteur est défectueux.	Contactez votre agent de maintenance agréé ou Hatco.	
	L'appareil est mal connecté.		
La chaleur est inadaptée.	Un ou plusieurs éléments chauffants sont défectueux.	Contactez votre agent de maintenance agréé ou Hatco.	
	Circulation d'air excessive autour de l'appareil.		Restreignez ou redirigez le déplacement d'air (les portes vers l'extérieur, la gaine de climatisation, le ventilateur d'extraction, etc.) pour l'éloigner de l'appareil.
	L'alimentation électrique est incorrecte (basse).		Vérifiez l'alimentation électrique de l'appareil, assurez-vous qu'elle corresponde aux valeurs sur l'appareil. Si l'alimentation électrique est incorrecte, changez pour correspondre aux valeurs sur l'appareil.
La chaleur est excessive.	La tension est trop élevée.	Vérifiez l'alimentation électrique de l'appareil, assurez-vous qu'elle corresponde aux valeurs sur l'appareil. Si l'alimentation électrique est incorrecte, changez pour correspondre aux valeurs sur l'appareil.	

Vous avez des questions en ce qui concerne les pannes?

Si le problème persiste, veuillez contacter l'agence d'entretien agréée Hatco la plus proche ou Hatco pour obtenir une assistance. Pour trouver l'agence d'entretien la plus proche, rendez-vous sur le site Internet de Hatco (www.hatcocorp.com) et sélectionnez le menu déroulant *Support (Assistance)*, puis cliquez sur « Find A Service Agent » (trouver un agent d'entretien); ou contactez l'équipe d'entretien et de pièces détachées de Hatco :

Numéro de téléphone: 800-558-0607 or 414-671-6350

Courriel: support@hatcocorp.com

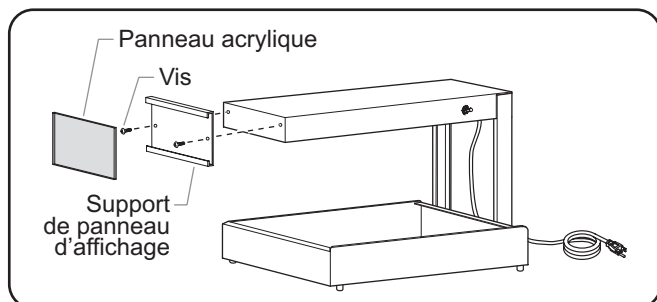
Support de panneau d'affichage

Le support de panneau d'affichage de 229mm (9") de largeur x 140 mm (5-1/2") de hauteur en option est également disponible pour le présentoir chauffant portatif utilisé dans une zone de libre-service. (Panneau non inclus.)

*NOTA: Le support de panneau d'affichage n'est disponible que sur le modèle **GRFFL** avec interrupteur à bascule.*

Pour installer le support de panneau en option, suivez ces instructions :

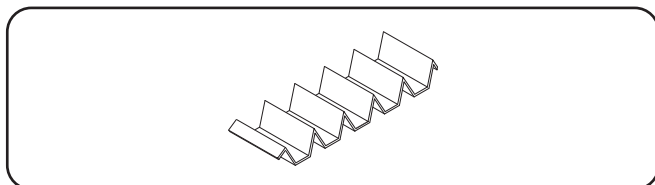
1. Retirez les deux vis extérieures de l'avant de l'unité.
2. Installez le support de panneau à l'aide des vis d'origine.
3. Installez le panneau (non fourni) et le panneau acrylique.



Installation du support de panneau en option (modèle **GRFFL** avec interrupteur à bascule)

Présentoir/séparateur à revêtement dur pour boîtes de frites à 5 plis

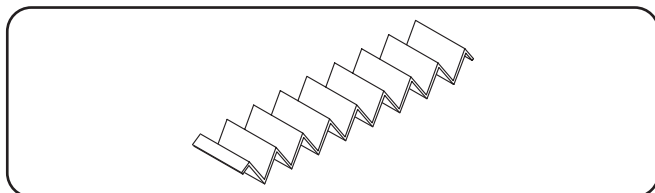
Un présentoir/séparateur à boîtes de frites à cinq (5) plis à revêtement dur peut être ajouté pour servir de support pour les boîtes de frites.



Présentoir/séparateur pour boîtes de frites à 5 plis

Présentoir/séparateur à revêtement dur pour sachets de frites à 8 plis

Un présentoir/séparateur à sachets de frites à huit (8) plis à revêtement dur peut être ajouté pour servir de support pour les sachets de frites.



Présentoir/séparateur pour sachets de frites à 8 plis

Contrôle infini

Le contrôle infini est disponible en option pour un contrôle plus précis de la température. Les contrôles infinis ne sont PAS conçus pour les modernisations sur le terrain.

*NOTA: Le contrôle infini en option n'est pas disponible sur le modèle **GR-B**, la série **UGFF** ou les appareils avec support de panneau.*

Bacs alimentaires

Des bacs alimentaires en acier inoxydable aux dimensions 1/3, 1/2 et pleine taille sont disponibles.

Grilles en fer

Des grilles en fer en acier inoxydable ou finition plaquée aux dimensions 1/4, 1/2 et pleine taille.

Ampoules DEL Chef

Les ampoules DEL Chef sont des ampoules permettant d'économiser de l'énergie par rapport aux ampoules à incandescence. Suivez les instructions ci-dessous pour le remplacement des ampoules :

120 Volts

2700K: [R02.30.185.01](#)

3000K: [R02.30.195.01](#)

4000K: [R02.30.196.01](#)

230 Volts

2700K: [R02.30.197.01](#)

3000K: [R02.30.198.01](#)

4000K: [R02.30.199.01](#)

1. GARANTIE DU PRODUIT

Hatco garantit que les produits qu'il fabrique (les « Produits ») sont exempts de défauts de matériel et de fabrication, dans des conditions normales d'utilisation et de maintenance, pour une période d'un (1) an à partir de la date d'achat à condition que l'appareil soit installé et entretenu conformément aux instructions écrites de Hatco ou 18 mois après la date de l'expédition par Hatco. L'acheteur doit prouver la date d'achat du Produit par l'enregistrement de ce dernier auprès de Hatco ou par d'autres moyens satisfaisants pour Hatco, à sa seule discrétion.

Hatco garantit que les composants du Produit suivants sont exempts de défauts de matériel et de fabrication à partir de la date d'achat (sous réserve des conditions précédentes) pour la ou les périodes de temps et en fonction des conditions listées ci-dessous :

- a) **Garantie d'un (1) an pour les pièces et la main-d'œuvre PLUS un (1) an supplémentaire pour les pièces uniquement :**
 - Éléments du grille-pain à convoyeur (enveloppe métallique)
 - Éléments des tiroirs chauffants (enveloppe métallique)
 - Tiroirs, roues et glissières des tiroirs chauffants
 - Éléments des rampes chauffantes (enveloppe métallique)
 - Éléments des vitrines chauffantes (enveloppe métallique, air chauffant)
 - Éléments des armoires de stockage (enveloppe métallique, air chauffant)
 - Éléments des compartiments chauffants — série HW et HWB (enveloppe métallique)
- b) **Garantie de deux (2) ans pour les pièces et la main-d'œuvre :**
 - Gammes à induction
 - Réchauds à induction
- c) **Garantie d'un (1) an pour les pièces et la main-d'œuvre PLUS quatre (4) ans pour les pièces uniquement :**
 - Cuves 3CS et FR
- d) **Garantie d'un (1) an pour les pièces et la main-d'œuvre PLUS neuf (9) ans pour les pièces uniquement :**
 - Cuves des appareils de chauffage d'appoint électriques
 - Cuves des appareils de chauffage d'appoint à gaz
- e) **Garantie de quatre-vingt-dix (90) jours pour les pièces uniquement :**
 - Pièces de rechange

LES GARANTIES PRÉCÉDENTES SONT EXCLUSIVES ET REMPLACENT TOUTES AUTRES GARANTIES, EXPRESSES OU IMPLICITES, COMPRENANT, MAIS NE SE LIMITANT PAS, À TOUTES GARANTIES IMPLICITES DE QUALITÉ MARCHANDE OU DE FINALITÉ PARTICULIÈRE OU TOUS BREVETS OU TOUTES AUTRES ATTEINTES AUX DROITS DE LA PROPRIÉTÉ INTELLECTUELLE. Sans restreindre la portée générale des énoncés précédents, CES GARANTIES NE COUVRENT PAS LES ÉLÉMENTS SUIVANTS : ampoules d'éclairage à incandescence enduites, lumières fluorescentes, ampoules de lampes chauffantes, ampoules d'éclairage à halogène enduites, ampoules de lampes chauffantes au xénon, tubes d'éclairage DEL, composants en verre et fusibles ; défaut de produit dans la cuve d'un appareil de chauffage d'appoint, dans un échangeur de chaleur à tubes à ailettes ou tout autre équipement de chauffage d'eau causé par la calcification, l'accumulation de sédiments, la réaction d'un produit chimique ou le gel ; ou une mauvaise utilisation, une manipulation ou une mauvaise application, une installation inappropriée du Produit ou l'utilisation d'une tension inappropriée.

2. LIMITES DES RECOURS ET DES DOMMAGES

La responsabilité de Hatco et la seule voie de recours de l'Acheteur prévues par les présentes seront limitées exclusivement, au gré de Hatco, à la réparation ou au remplacement à l'aide de pièces ou de Produits nouveaux ou remis à neuf par Hatco ou un centre de réparation agréé par Hatco (sauf si l'Acheteur se situe hors des États-Unis, du Canada, du Royaume-Uni ou de l'Australie, auquel cas la responsabilité de Hatco et la seule voie de recours de l'Acheteur seront limitées exclusivement au remplacement des pièces concernées par la garantie) à l'égard de toute revendication effectuée dans les délais de garantie applicables mentionnés ci-dessus. Hatco se réserve le droit d'accepter ou de rejeter toute réclamation en partie ou dans son intégralité. Dans le cadre de cette Garantie limitée, « remis à neuf » signifie une pièce ou un Produit dont les caractéristiques techniques d'origine ont été restaurées par Hatco ou un centre de réparation agréé par Hatco. Hatco n'acceptera aucun retour de Produits sans qu'il n'ait auparavant donné son accord écrit, et tous ces retours approuvés doivent être effectués aux seuls frais de l'Acheteur. HATCO NE SERA PAS TENU RESPONSABLE, DANS AUCUNE CIRCONSTANCE, DES DOMMAGES CONSÉCUTIFS OU INDIRECTS, COMPRENANT, MAIS NE SE LIMITANT PAS, AUX COÛTS DE MAIN-D'ŒUVRE OU À PERTES DE PROFITS DUS À UNE UTILISATION OU À UNE IMPOSSIBILITÉ D'UTILISER LES PRODUITS OU DUS AU FAIT QUE LES PRODUITS ONT ÉTÉ INTÉGRÉS DANS OU QU'ILS SONT DEVENUS UN COMPOSANT DE TOUT AUTRE PRODUIT OU BIEN.

AUTHORIZED PARTS DISTRIBUTORS • AUTORISÉS DISTRIBUTEURS DE PIÈCES

ALABAMA

Jones McLeod Appl. Svc.
Birmingham 205-251-0159

ARIZONA

Tech 24
Phoenix 602-234-2443

Byassee Equipment Co.
Phoenix 602-252-0402

CALIFORNIA

Industrial Electric
Commercial Parts & Service, Inc.
Huntington Beach 714-379-7100

Chapman Appl. Service
San Diego 619-298-7106

P & D Appliance
Commercial Parts & Service, Inc.
S. San Francisco 650-635-1900

COLORADO

Hawkins Commercial Appliance
Englewood 303-781-5548

FLORIDA

Whaley Foodservice Repair
Jacksonville 904-725-7800

Whaley Foodservice Repair
Orlando 407-757-0851

B.G.S.I./Heritage
Pompano Beach 954-971-0456

Comm. Appliance Service
Tampa 813-663-0313

GEORGIA

Heritage Service Group
Norcross 866-388-9837

HAWAII

Burney's Comm. Service, Inc.
Honolulu 808-848-1466

Food Equip Parts & Service
Honolulu 808-847-4871

ILLINOIS

Parts Town
Addison 708-865-7278

Eichenauer Elec. Service
Decatur 217-429-4229

Midwest Elec. Appl. Service
Elmhurst 630-279-8000

Cone's Repair Service
Moline 309-797-5323

IOWA

Goodwin Tucker Group
Des Moines 515-262-9308

KENTUCKY

Tech 24
Lexington 859-254-8854

Tech 24
Louisville 502-451-5411

LOUISIANA

Chandlers Parts & Service
Baton Rouge 225-272-6620

MARYLAND

Electric Motor Service
Baltimore 410-467-8080

MASSACHUSETTS

Ace Service Co., Inc.
Needham 781-449-4220

MICHIGAN

Bildons Appliance Service
Detroit 248-478-3320

Commercial Kitchen Service
Bay City 989-893-4561

Midwest Food Equip. Service
Grandville 616-261-2000

MISSOURI

General Parts
Kansas City 816-421-5400

Commercial Kitchen Services
St. Louis 314-890-0700

Kaemmerlen Parts & Service
St. Louis 314-535-2222

NEBRASKA

Anderson Electric
Omaha 402-341-1414

NEVADA

Burney's Commercial
Las Vegas 702-736-0006

Hi. Tech Commercial Service
N. Las Vegas 702-649-4616

NEW JERSEY

Jay Hill Repair
Fairfield 973-575-9145

Service Plus
Flanders 973-691-6300

NEW YORK

Alpro Service Co.
Maspeth 718-386-2515

Duffy's - AIS
Buffalo 716-884-7425

3Wire
Plattsburgh 800-634-5005

Duffy's - AIS
Sauquoit 800-836-1014

J.B. Brady, Inc.
Syracuse 315-422-9271

NORTH CAROLINA

Authorized Appliance
Charlotte 704-377-4501

OHIO

Akron/Canton Comm. Svc. Inc.
Akron 330-753-6634

Tech 24
Cincinnati 513-772-6600

Commercial Parts and Service
Columbus 614-221-0057

Electrical Appl. Repair Service
Brooklyn Heights 216-459-8700

E. A. Wichman Co.
Toledo 419-385-9121

OKLAHOMA

Hagar Rest. Service, Inc.
Oklahoma City 405-235-2184

OREGON

General Parts Group
Portland 503-624-0890

PENNSYLVANIA

Elmer Schultz Services
Philadelphia 215-627-5401

FAST Comm. Appl. Service
Philadelphia 215-288-4800

AIS Commercial Parts and Service
Pittsburgh 412-809-0244

K & D Service Co.
Harrisburg 717-236-9039

Electric Repair Co.
Reading 610-376-5444

RHODE ISLAND

Marshall Electric Co.
Providence 401-331-1163

SOUTH CAROLINA

Whaley Foodservice Repair
Lexington 803-996-9900

TENNESSEE

Camp Electric
Memphis 901-527-7543

TEXAS

Armstrong Repair Service
Houston 713-666-7100

Cooking Equipment Specialist
Mesquite 972-686-6666

Commercial Kitchen Repair Co.
San Antonio 210-735-2811

UTAH

La Monica's Rest. Equip. Service
Murray 801-263-3221

VIRGINIA

Daubers
Norfolk 757-855-4097

Daubers
Springfield 703-866-3600

WASHINGTON

3Wire
Seattle 800-207-3146

WISCONSIN

A.S.C., Inc.
Madison 608-246-3160

A.S.C., Inc.
Milwaukee 414-543-6460

CANADA

ALBERTA

Key Food Equipment Service
Edmonton 780-438-1690

BRITISH COLUMBIA

Key Food Equipment Service
Vancouver 604-433-4484

Key Food Equipment Service
Victoria 250-920-4888

MANITOBA

Air Rite, Inc.
Winnipeg 204-895-2300

NEW BRUNSWICK

EMR Services, Ltd.
Moncton 506-855-4228

ONTARIO

R.G. Henderson Ltd.
Toronto 416-422-5580

Choquette - CKS, Inc.
Ottawa 613-739-8458

QUÉBEC

Choquette - CKS, Inc.
Montreal 514-722-2000

Choquette - CKS, Inc.
Québec City 418-681-3944

UNITED KINGDOM

Marren Group
Northants +44(0)1933 665313

HATCO CORPORATION

P.O. Box 340500

Milwaukee, WI 53234-0500 U.S.A.

800-558-0607 414-671-6350

support@hatcocorp.com

www.hatcocorp.com

Register your unit online!

See IMPORTANT OWNER INFORMATION
section for details.

Enregistrez votre appareil en ligne !

Lisez la section INFORMATIONS IMPORTANTES POUR
LE PROPRIÉTAIRE pour plus d'informations.